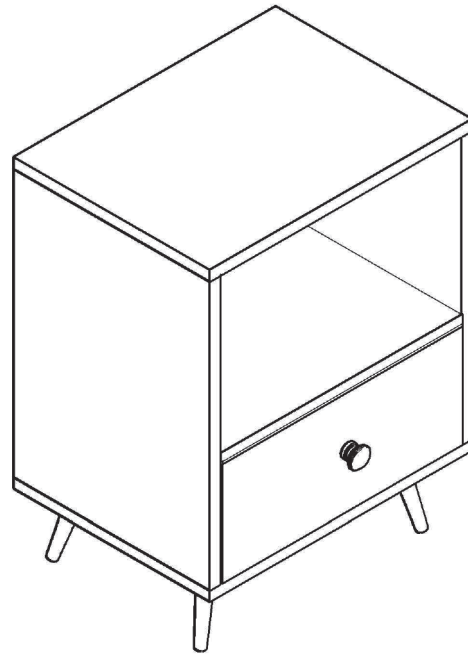


User Manual



You need

① 1 person is needed

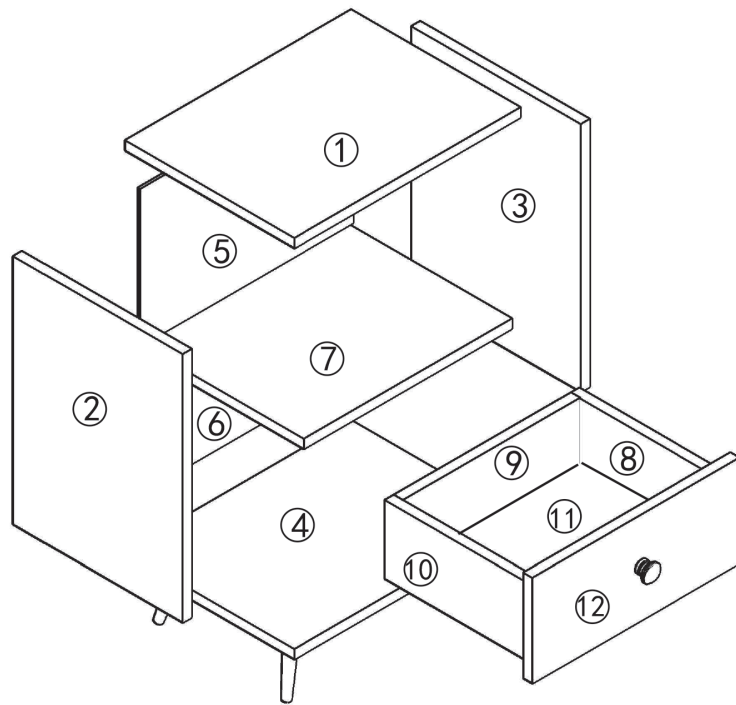


② Take 20 minutes



Technical Specifications

Size 400 (L) x 300 (W) x 600 (H) mm



Hardware List

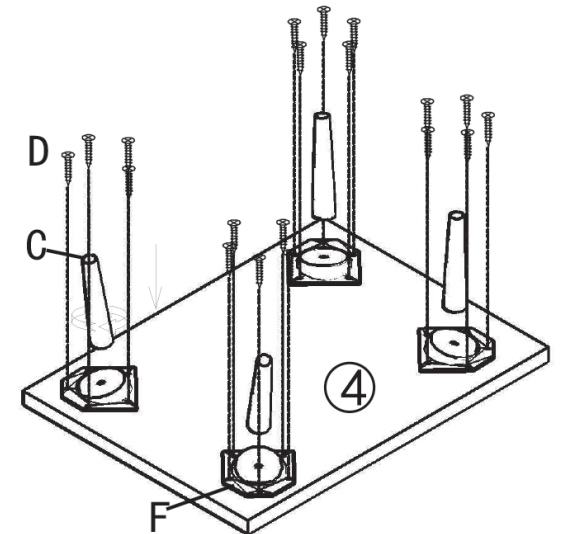
A 16PCS	B 12PCS	C 4PCS	D 28PCS
E 1PC	F 4PCS	G 4PCS	H 1PC
I 1PC			

PRODUCT ASSEMBLY

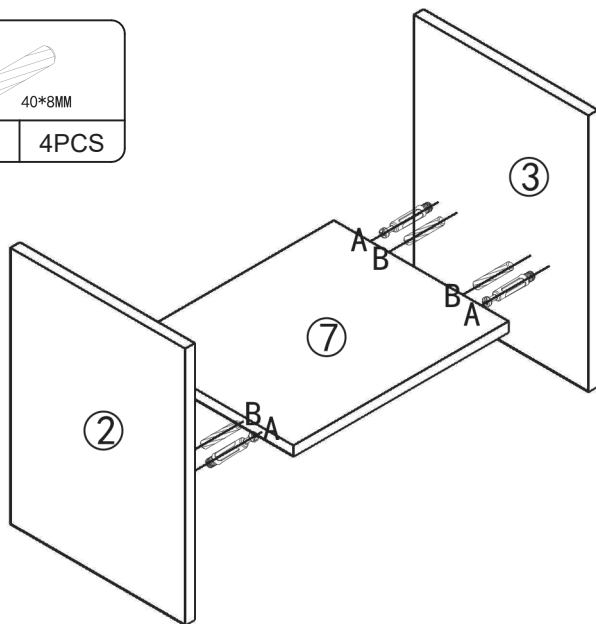
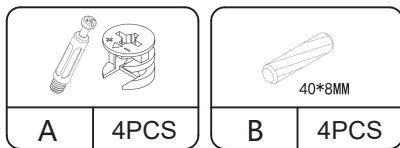
Check the package contents before getting started !

STEP 1

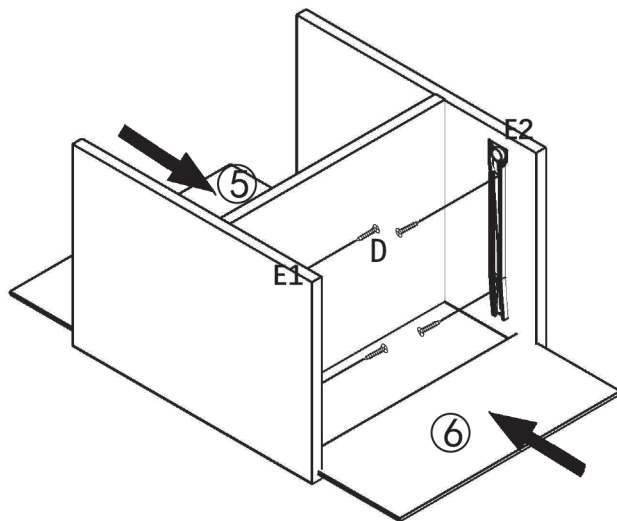
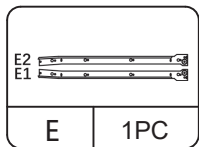
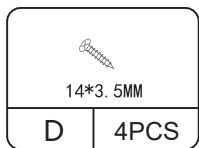
C 4PCS	
D 20PCS	
F 4PCS	



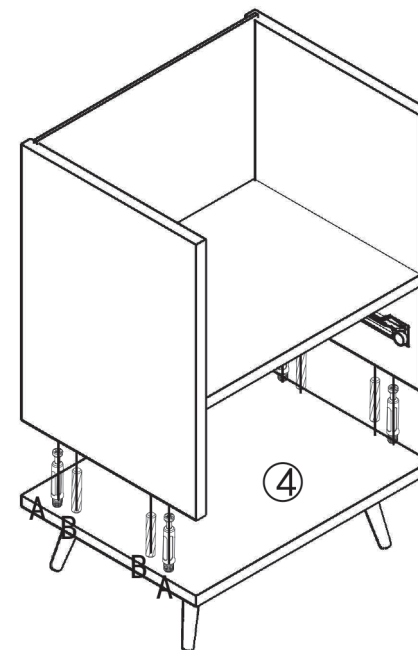
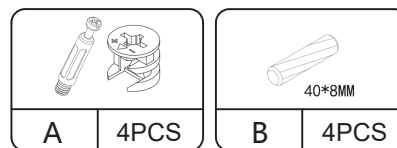
STEP 2



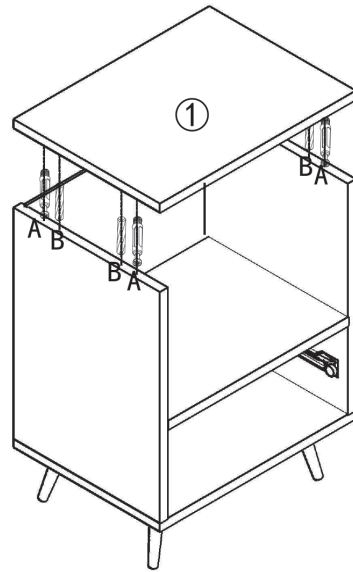
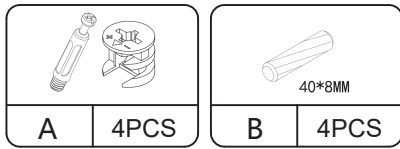
STEP 3



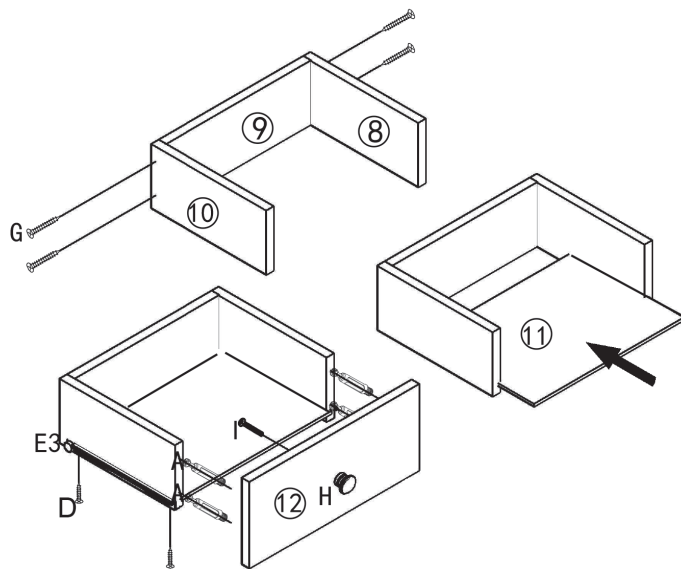
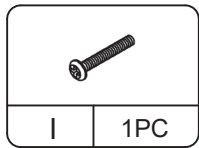
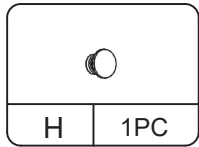
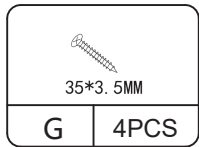
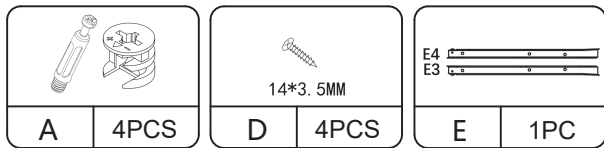
STEP 4



STEP 5



STEP 6



STEP 7

