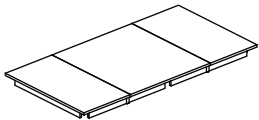
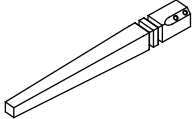
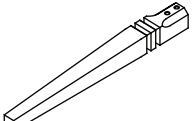
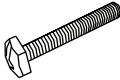


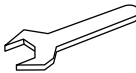


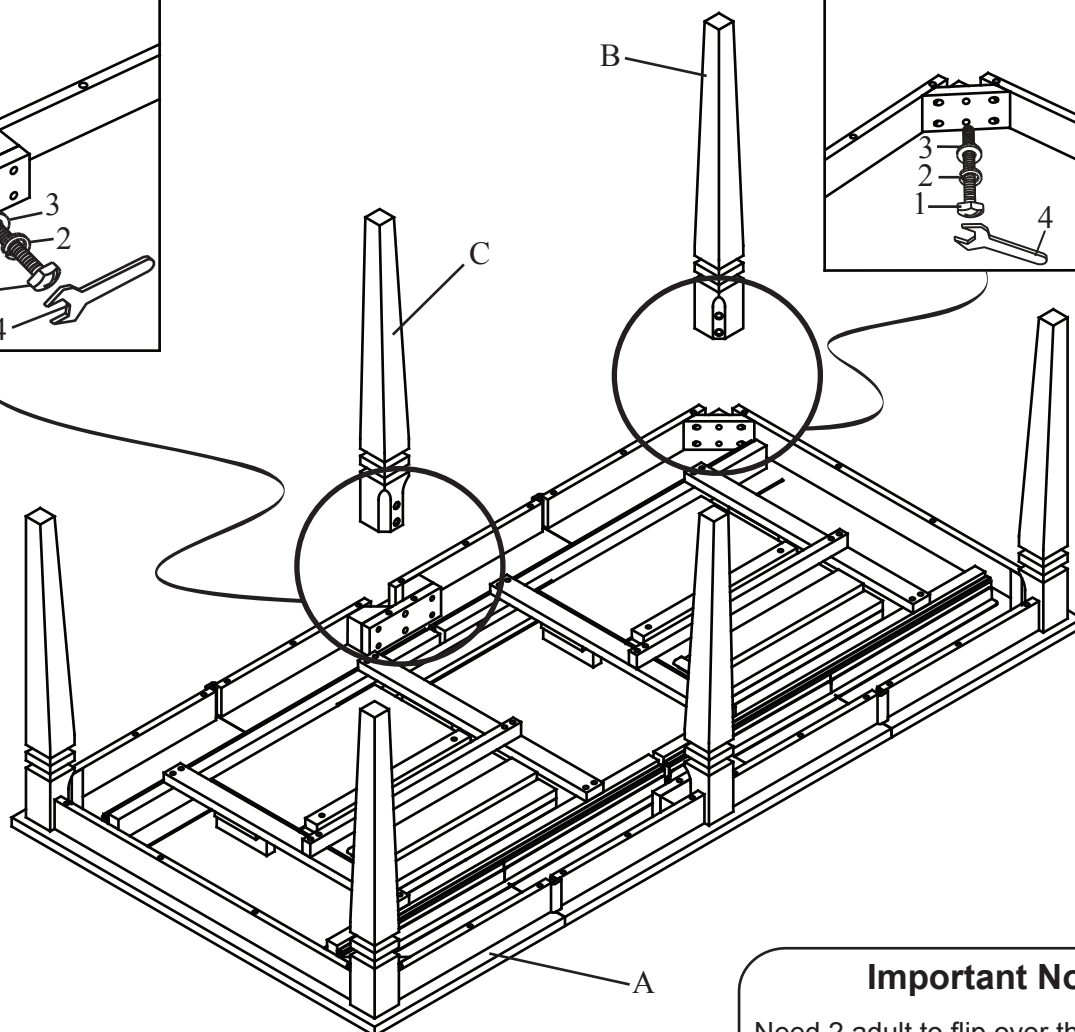
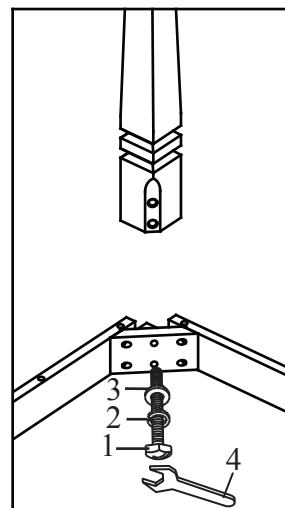
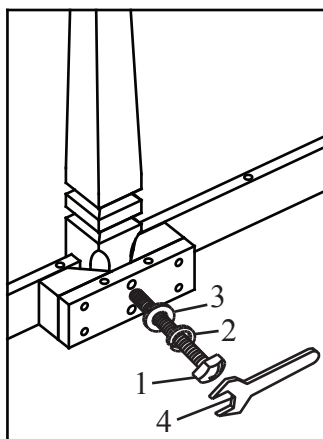
Assembly Instruction

SOLID TOP DOUBLE B'FLY EXT DINING LEG TABLE

NO	Parts List		Q'TY
A		Table Top	1 pce
B		Side Leg	4 pcs
C		Center Leg	2 pcs

NO	Hardware List		Q'TY
1		Hex Bolt 5/16"x2"	12 pcs
2		Lock Washer 5/16"	12 pcs
3		Flat Washer 5/16"	12 pcs
4		Wrench 12.8mm	1 pce

STEP 1



Important Note

Need 2 adult to flip over the assembled table. Do not lean any weight on table leg during the flipping process.