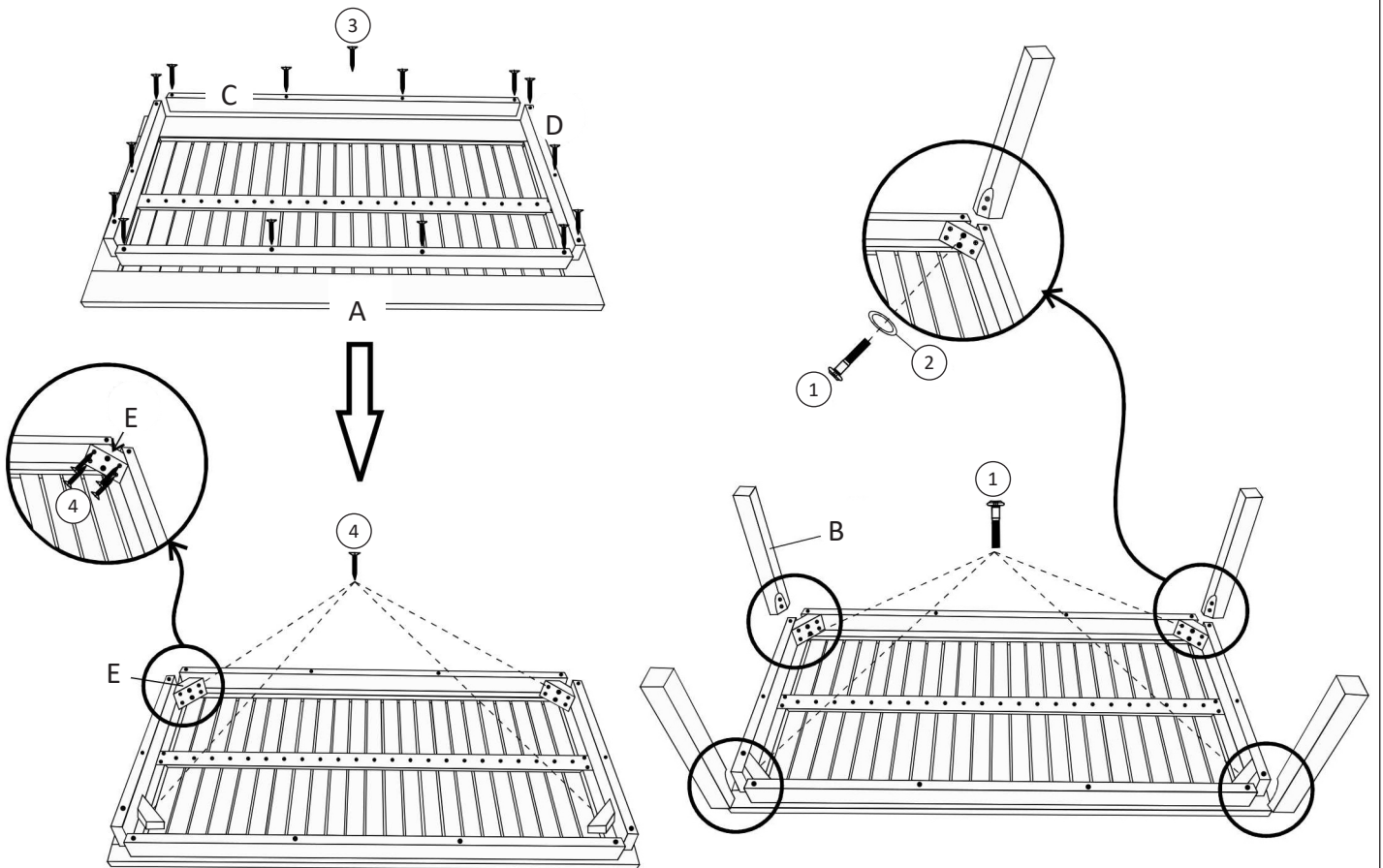
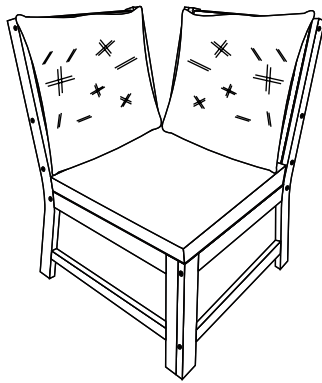
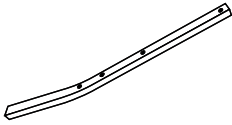
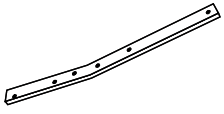
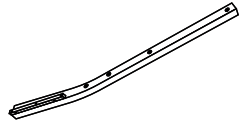
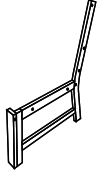
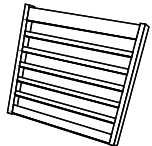
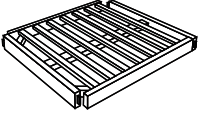

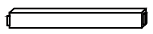

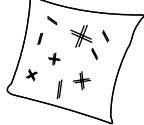

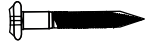






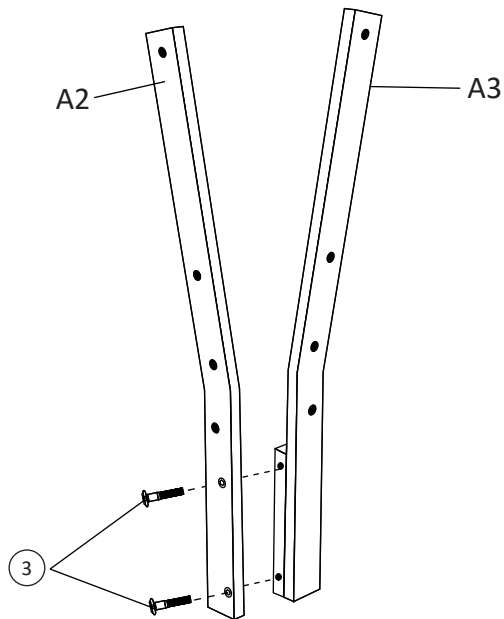
<p>Ax1</p>	<p>Bx4</p>	<p>Cx2</p>	<p>Dx2</p>	<p>Ex4</p>
<p>① x8</p> <p>M6x $\frac{55}{2.2}$</p>	<p>② x8</p> <p>M6x $\frac{20}{0.8}$</p>	<p>③ x14</p> <p>M4x $\frac{45}{1.8}$</p>	<p>④ x16</p> <p>M4x $\frac{25}{1.0}$</p>	<p>x1</p>



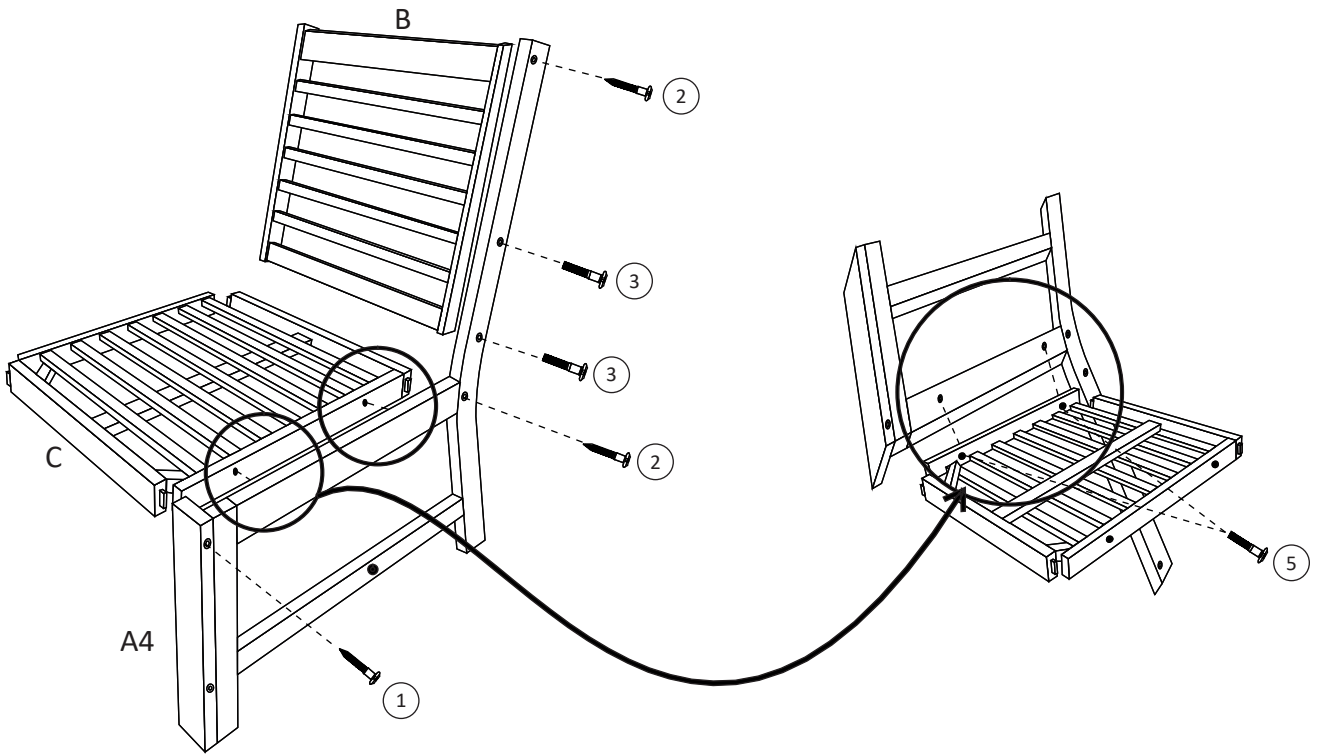


<p>A1x1</p> 	<p>A2x1</p> 	<p>A3x1</p> 	<p>A4x1</p> 
<p>Bx2</p> 	<p>Cx1</p> 	<p>Dx1</p> 	<p>Ex1</p> 
<p>Fx1</p> 	<p>Gx2</p> 	<p>① x4</p>  <p>M7x $\frac{90}{3.5}$</p>	<p>② x8</p>  <p>M7x $\frac{70}{2.8}$</p>
<p>③ x11</p>  <p>M6x $\frac{40}{1.6}$</p>	<p>④ x1</p>  <p>M8x $\frac{15}{0.6}$</p>	<p>⑤ x4</p>  <p>M6x $\frac{35}{1.4}$</p>	<p>⑥ x2</p> 

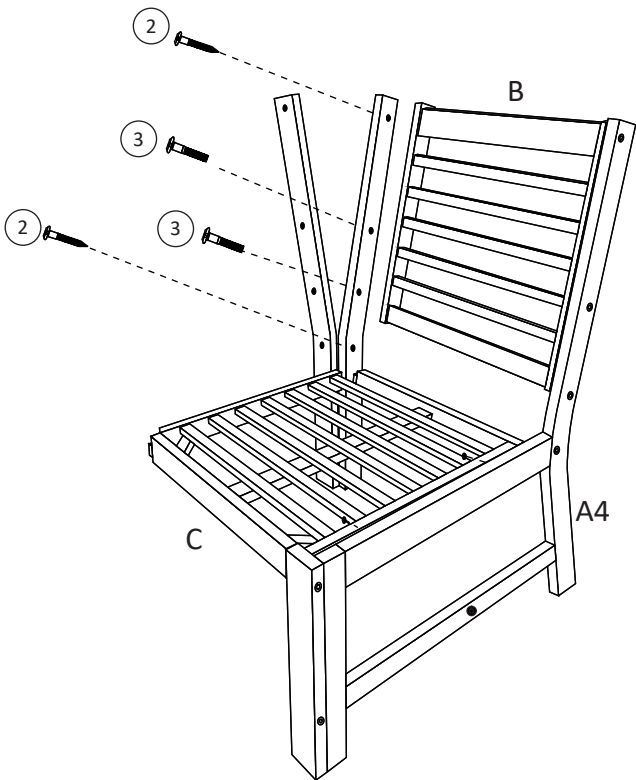
1



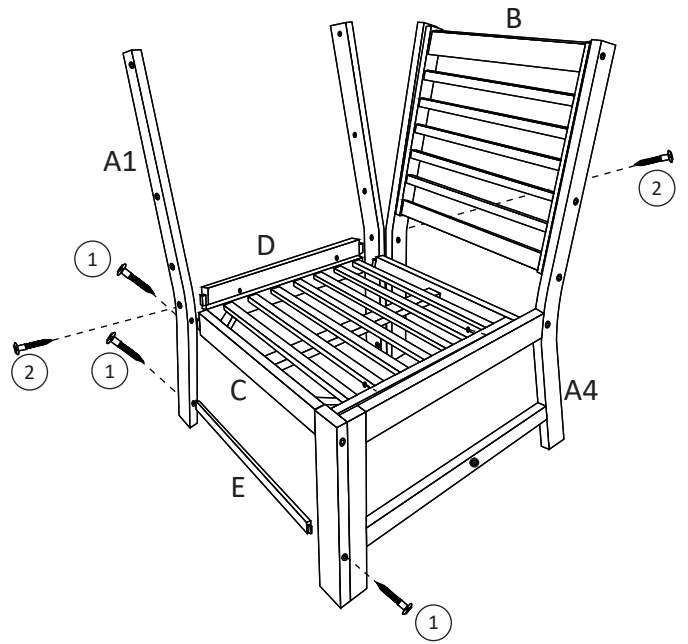
2



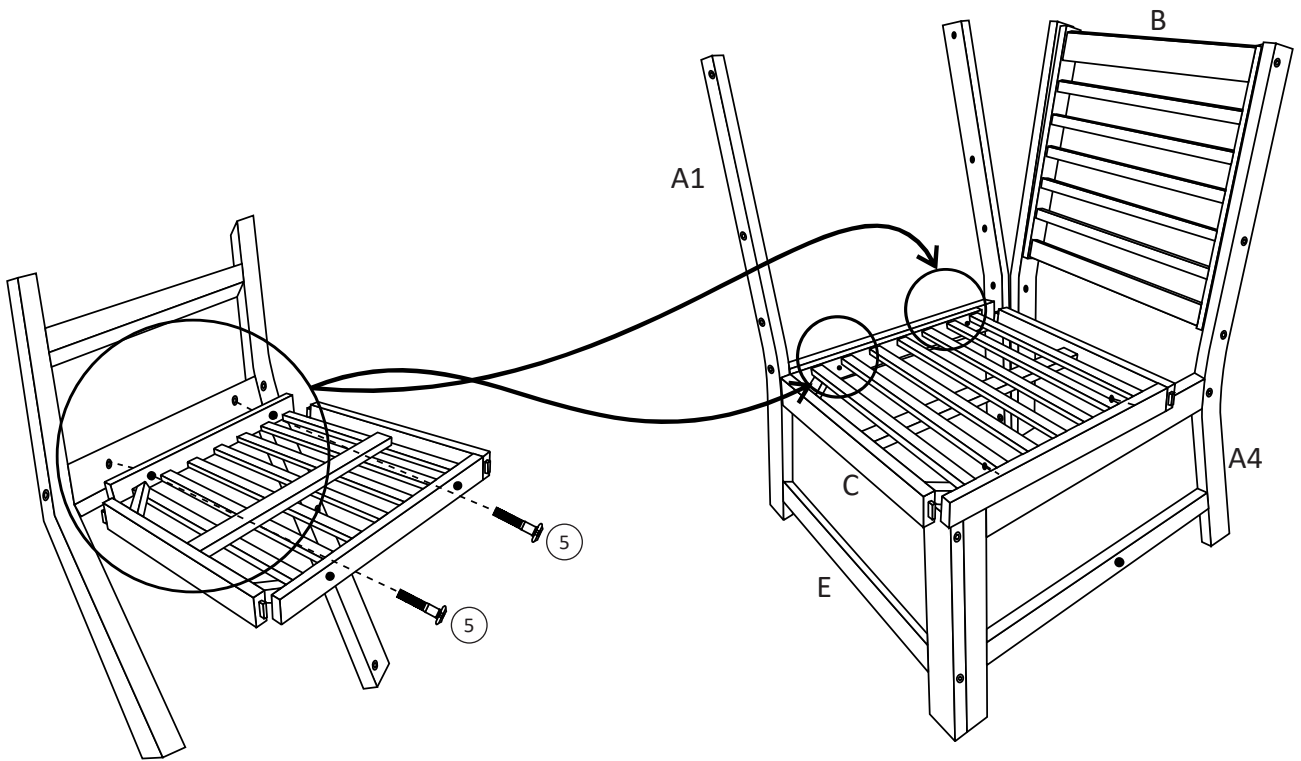
3



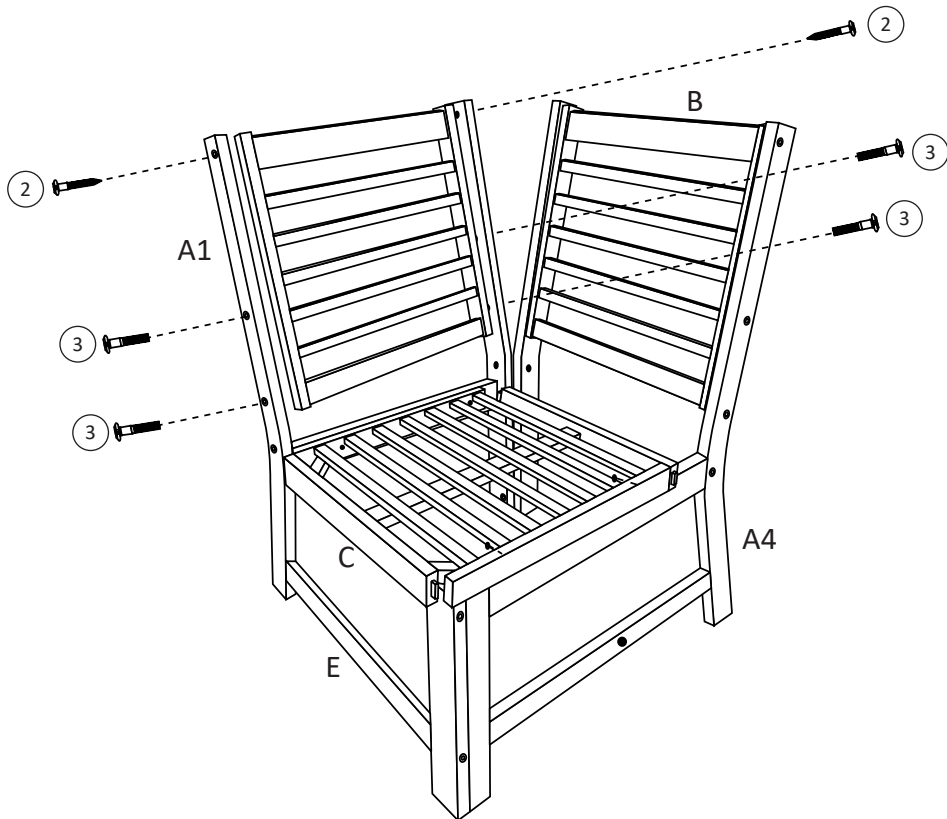
4

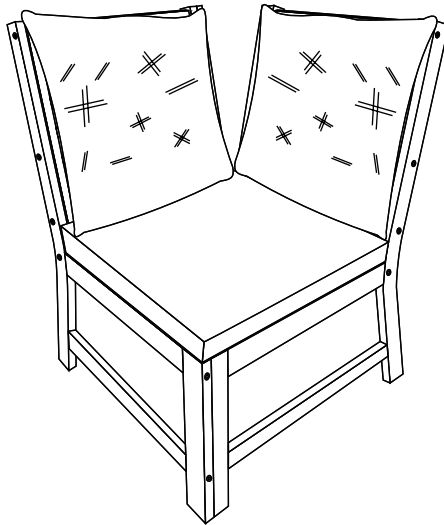
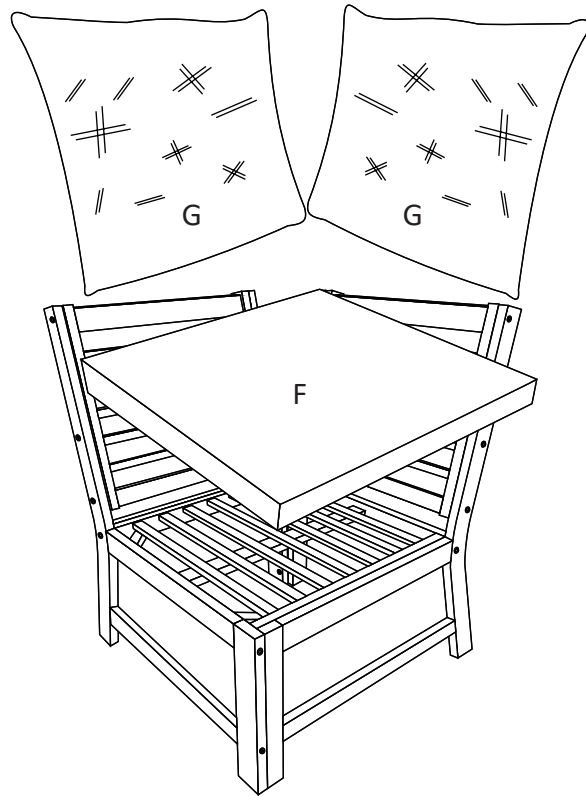


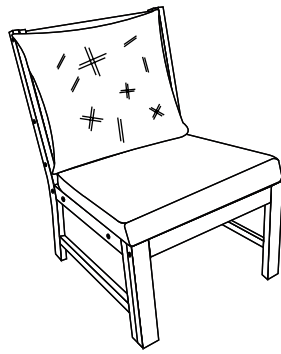
5



6







<p>Ax1</p>	<p>A1x1</p>	<p>Bx1</p>	<p>Cx1</p>	<p>Dx1</p>
<p>① x2</p> <p>M7x $\frac{90}{3.5}$</p>	<p>② x4</p> <p>M7x $\frac{70}{2.8}$</p>	<p>③ x9</p> <p>M6x $\frac{40}{1.6}$</p>	<p>④ x1</p> <p>M6x $\frac{15}{0.6}$</p>	<p>⑤ x2</p>

