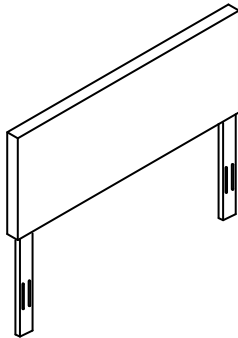


FULL/QUEEN & KING/CAL KING HEADBOARD

Thank you for purchasing the
FULL/QUEEN HEADBOARD
KING/CAL KING HEADBOARD

Before you start, here are some helpful advices:

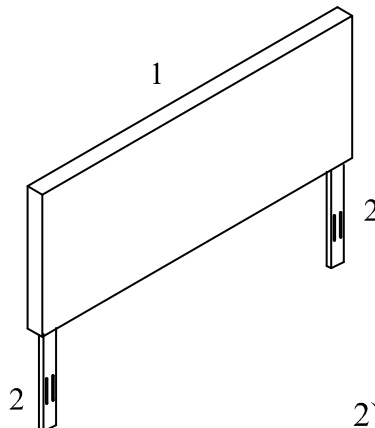
1. We suggest that you spend a short time reading through this leaflet and then follow the simple step-by-step instructions.
2. Owing to the size and weight of the bed frame, we recommend that it is assembled by two adults, on a carpeted or padded area, in the room that it is intended for. Approximate assembly time: 45 minutes.
3. Please do not use any tools other than those provided or recommended in these instructions.
4. Please do not throw away any of the packaging or the instruction until you have checked all the components and hardware and the furniture is fully assembled. Please ensure that the packaging is disposed of in a safe and environmentally friendly way.
5. Assemble all components loosely until advised to tighten. Depending on use, it may be necessary to tighten the components from time to time, so please save the tools that have been provided.
6. Please keep all fitting out of reach of children.



Hardware list:

A		Bolt M8 x 50mm	x4
B		Spring Washer	x4
C		Flat Washer	x4
D		M5 Allen Key	x1

Component:



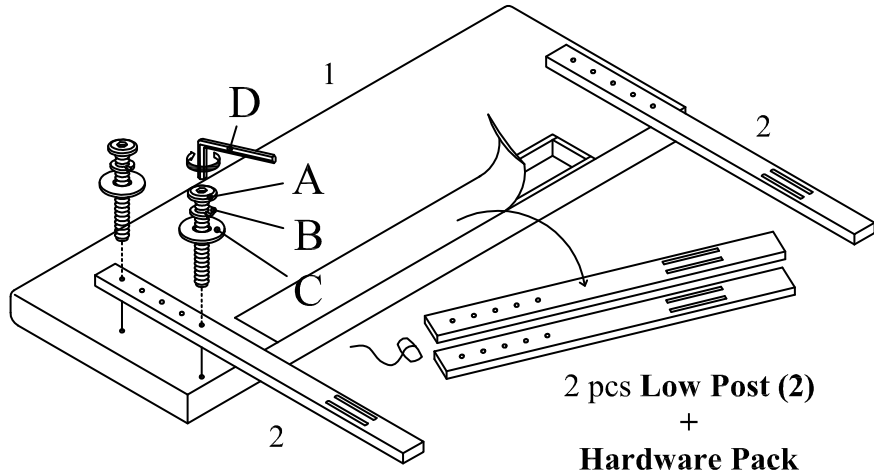
1) Headboard x1
 (Style may vary)





2) Low Post x2

FULL/QUEEN & KING/CAL KING HEADBOARD

Step 1:

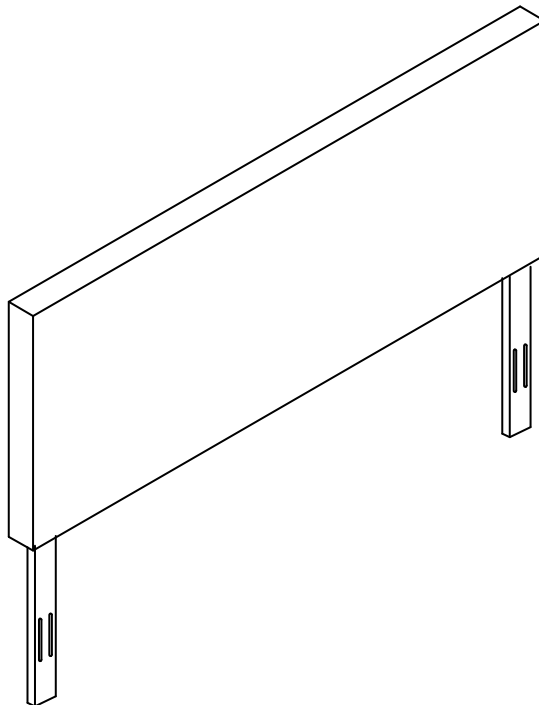
Put the **Headboard (1)** upside down on a carpeted or padded area by two adults. Then take out the **Low Post (2)** and **Hardware Pack** from the back side of **Headboard (1)**. Attach **Low Post (2)** to the **Headboard (1)** according to your desired headboard height. Secure each **Low Post (2)** by using 2x **Bolt (A)**, 2x **Spring Washer (B)** and 2x **Flat Washer (C)**, tighten with supplied **Allen Key (D)**, repeat the same procedure to secure the other **Low Post (2)**. Note: do not fully-tighten nuts and bolts until all nuts and bolts are partially tightened.



			
A x 4	B x 4	C x 4	D x 1

Step 2

Carefully turn up the assembled **Headboard (1)** by two adults.

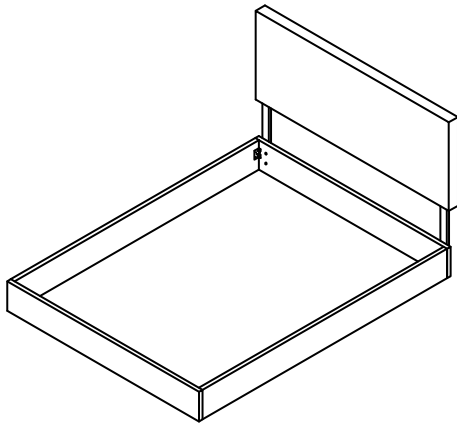


Assembly is complete. The headboard is ready to use now!







NOTE: Hardware may loosen over time. Periodically check that all connections are tight.

ASSEMBLY INSTRUCTIONS
OPTION 1

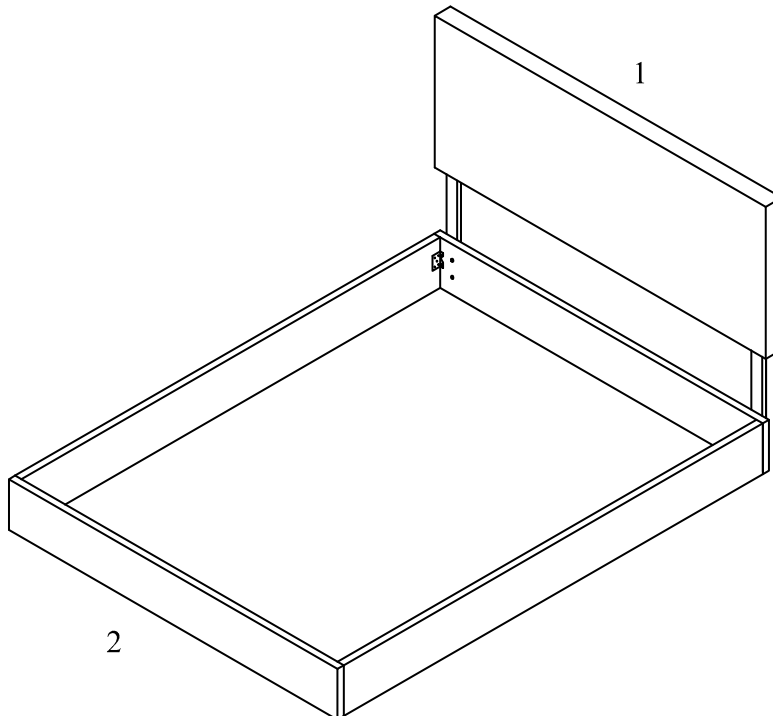
OPTION 1



Hardware list:

A		Bolt M6 x 45mm	x4
B		Bolt M6 x 65mm	x4
C		M6 Flat Washer	x8
D		M6 Spring Washer	x4
E		M6 Hex Nut	x4
F		M4 Allen Key	x1

Component:



OPTION 1

1) Headboard x1
(Style mat vary)

2) Bed Frame x1

CONNECTING HEADBOARD TO BED FRAME

Note: Extra screws were provided for attaching the headboard to your bed frame (use is optional).

STEP 1:

Line up the **Bed Frame (2)** board's pre-drilled holes to match those long hole of the **Headboard (1)**.

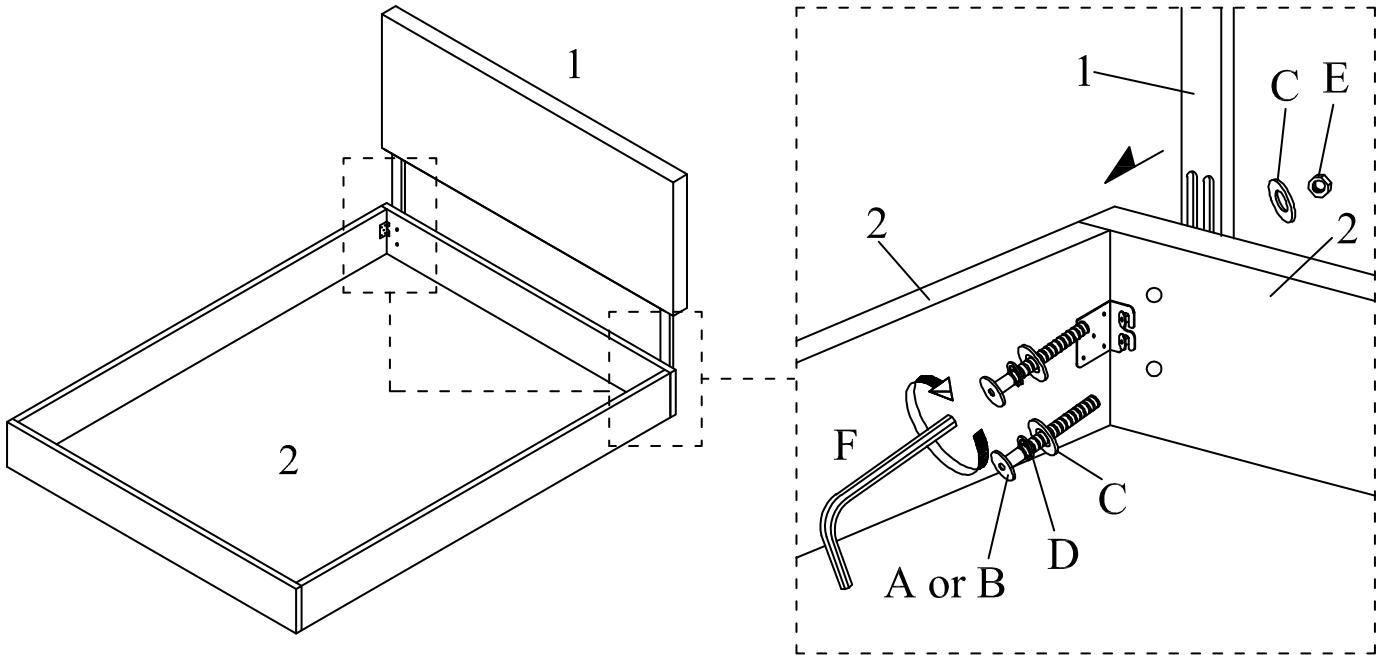
Place 1 piece of **Spring Washer (D)** and **Flat Washer (C)** on each **Bolt (A)** or **Bolt (B)**. Then fit 1 piece of **Flat Washer (C)** on the bolt as it protrudes through the other side of the **Bed Frame (2)**.

Please note **Bolt (A)** for thinner **Bed Frame (2)** and **Bolt (B)** for thicker **Bed Frame (2)**.





Secure the **Headboard (1)** to the **Bed Frame (2)** by using 2 pieces of assembled **Bolt (B)**, **Spring Washer (D)** and **Flat Washer (C)** for the thicker **Bed Frame (2)**, or 2 pieces of assembled **Bolt (A)**, **Spring Washer (D)** and **Flat Washer (C)** for the thinner **Bed Frame (2)**.

Place 1 piece of **Hex Nut (E)** after the **Flat Washer (C)** at the end of each bolt. Then tighten the **Bolts (A or B)** by using the **Allen Wrench (F)**.

Repeat the same procedure for each bolt and each side of the **Bed Frame (2)**.

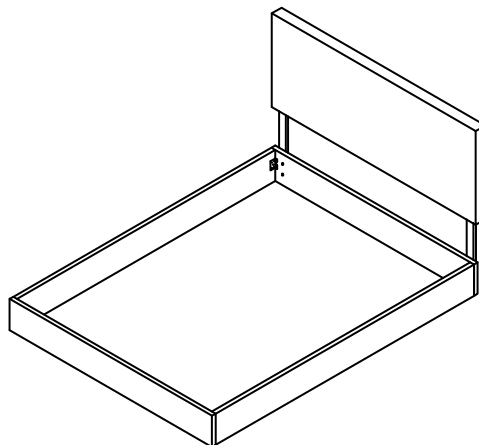


Hardware & Tool required

				
A or B x 4	C x 4	D x 4	E x 4	F x 1

STEP 2:

Carefully position the assembled bed to the desired location by four adults.



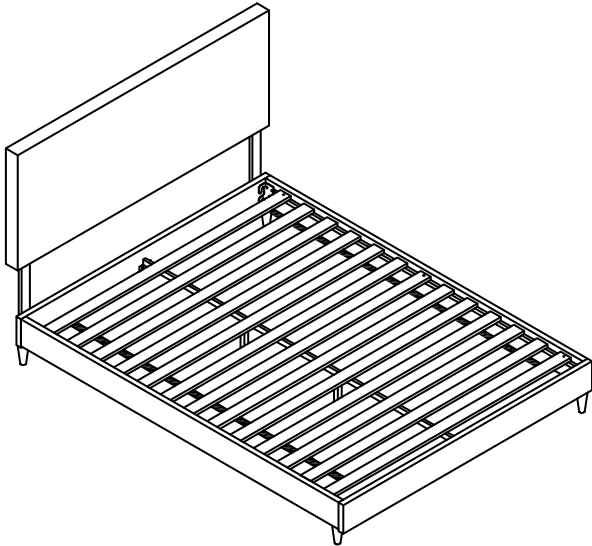
Assembly is complete. The headboard is ready to use now!

NOTE: Hardware may loosen over time. Periodically check that all connections are tight.

ASSEMBLY INSTRUCTIONS

Note: This is assembly instruction

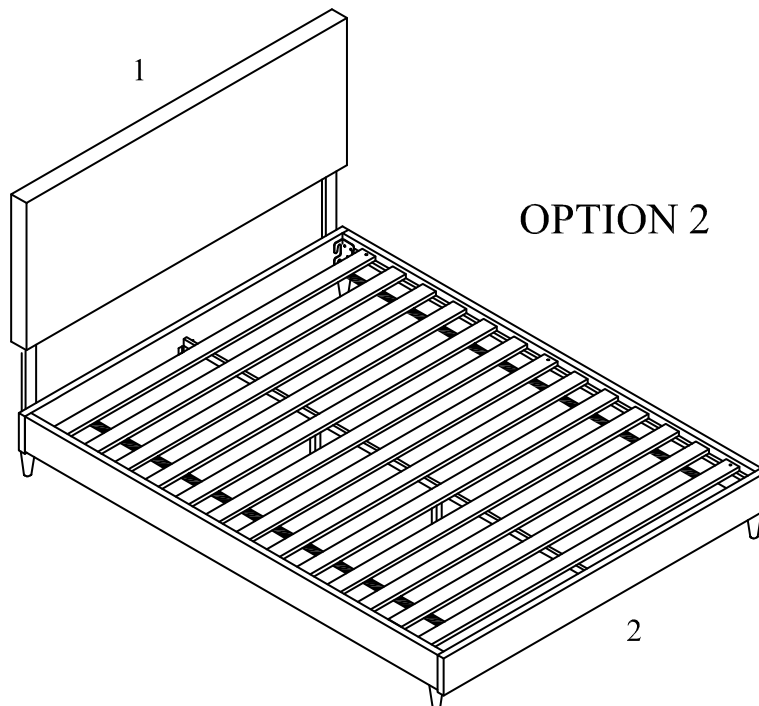
OPTION 2



Hardware list:

A		Bolt M6 x 45mm	x4
B		Bolt M6 x 65mm	x4
C		Flat Washer M6	x4
D		Spring Washer M6	x4
F		M4 Allen Key	x1

Component:



1) Headboard x1
(Style may vary)

2) Bed Frame x1
(Style may vary)

CONNECTING HEADBOARD TO BED FRAME

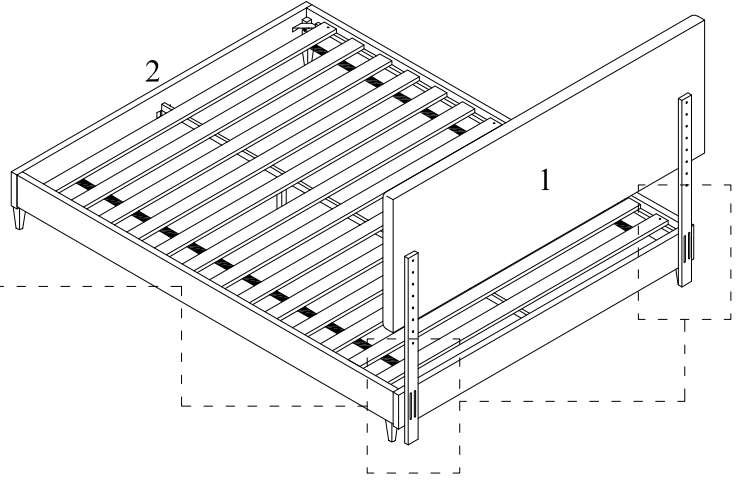
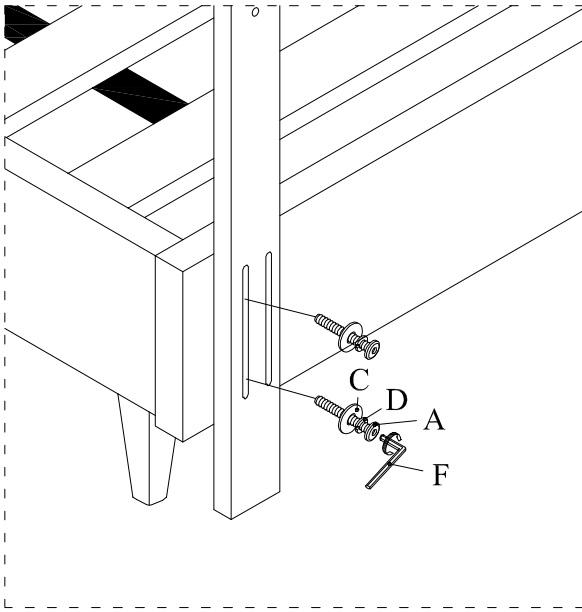
STEP 1

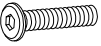



Line up the **Bed Frame (2)** board's pre-drilled holes to match those long hole of the **Headboard (1)**.

Secure the **Headboard (1)** to the **Bed Frame (2)** by using 2 piece of **Bolts (B)** with 2 pieces of **Spring Washer (D)**, 2 piece of **Washer (C)** for the thicker **Bed Frame (2)**, or 2 piece of **Bolts (A)** with 2 piece of **Spring Washer (D)**, 2 piece of **Washer (C)** for the thinner **Bed Frame (2)**.

Then tighten the **Bolts (A or B)** by using **Allen Wrench (F)**.

Repeat the same procedure for each bolt and each side of the **Bed Frame (2)**.

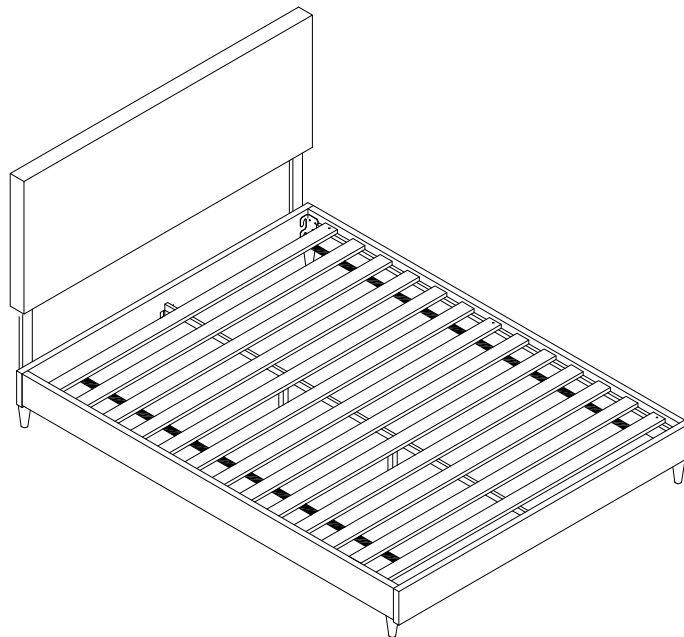


			
A or B x 4	C x 4	D x 4	F x 1

Hardware & Tool required

STEP 2:

Carefully position the assembled bed to the desired location by four adults.



Assembly is complete. The headboard is ready to use now!

NOTE: Hardware may loosen over time. Periodically check that all connections are tight.