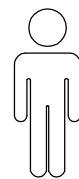
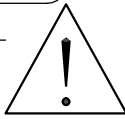
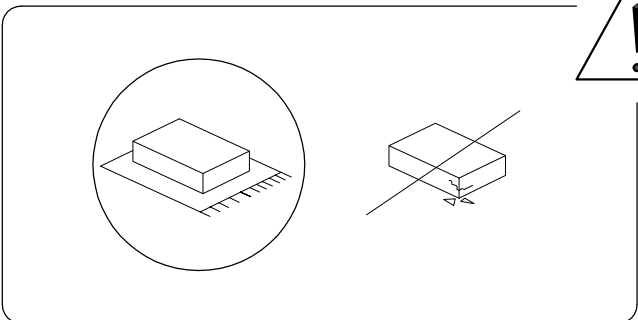
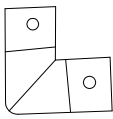
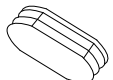

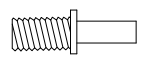
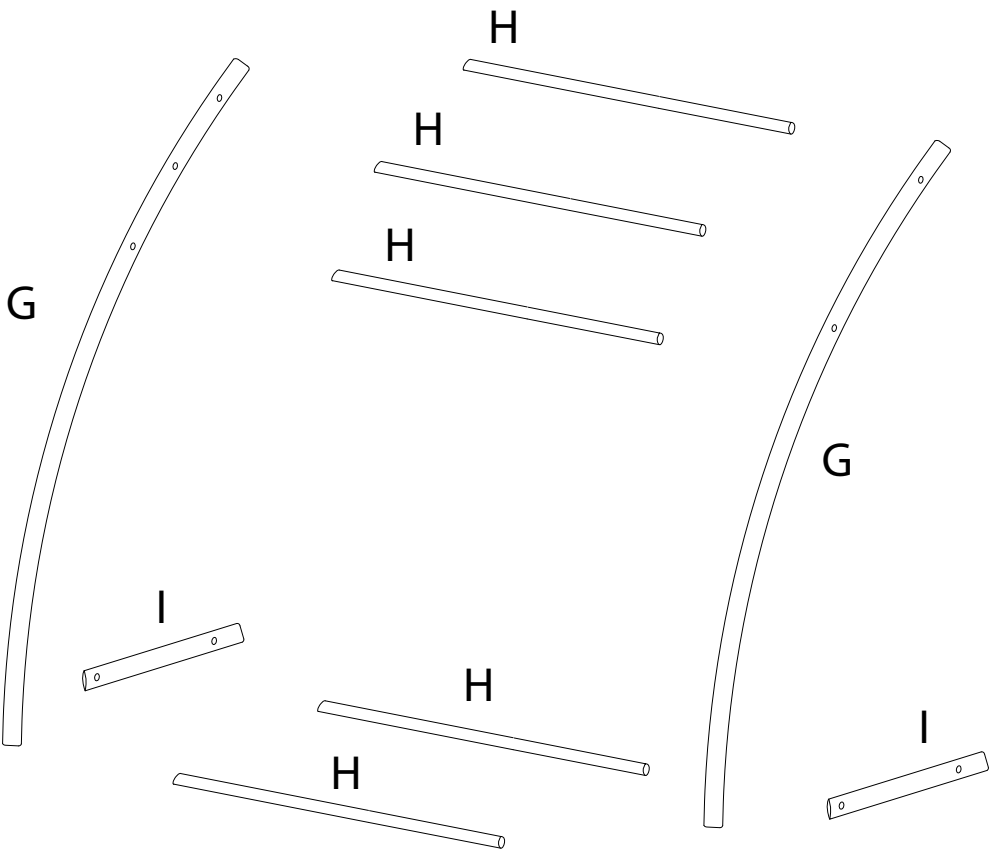



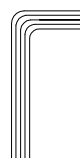

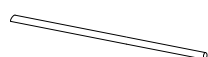

10'



1

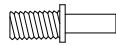
A	B	C	D
		 M6 x 25	
x 2	x 4	x 8	x 2



E	F	G	H	I
				
x 4	x 1	x 2	x 5	x 2

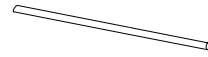
1

D

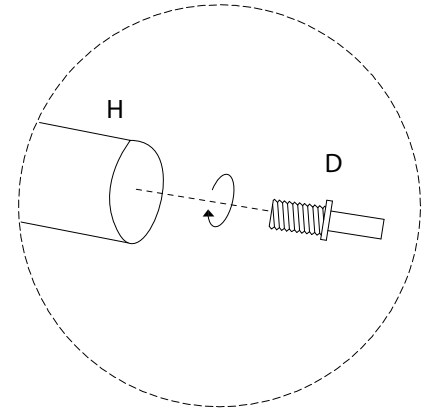
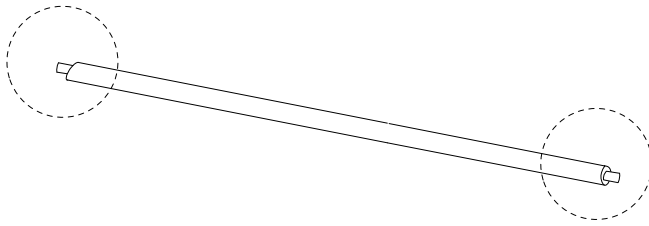


x 2

H



x 1



2

A



x 2

G

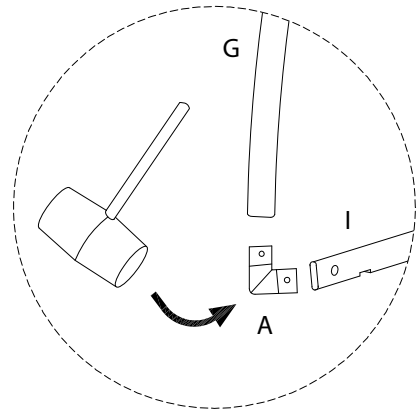
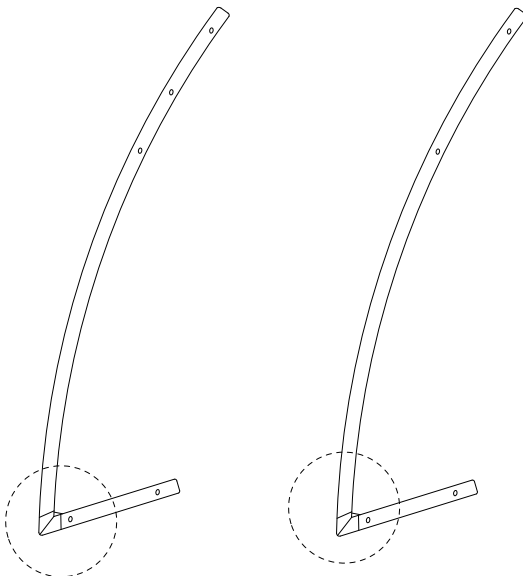


x 2

I



x 2

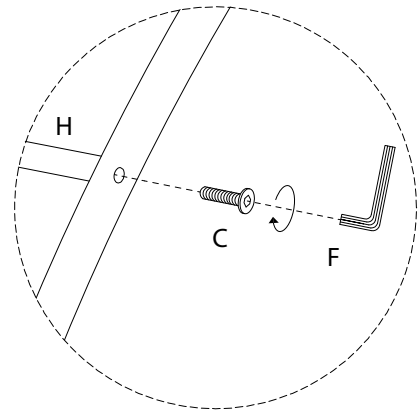
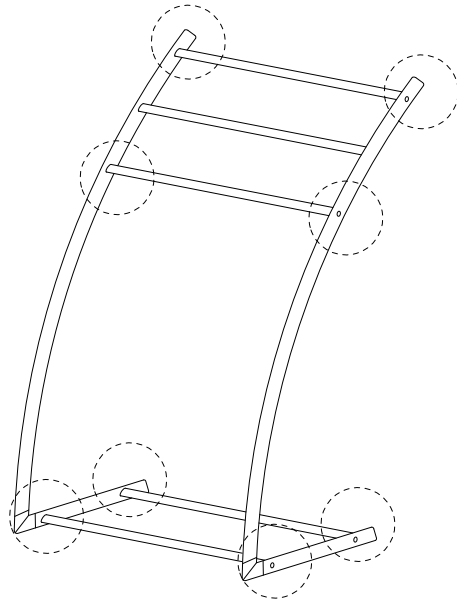


3

C
M6
x
25
x 8

F
x 1

H
x 4



4

B
x 4

E
x 4

