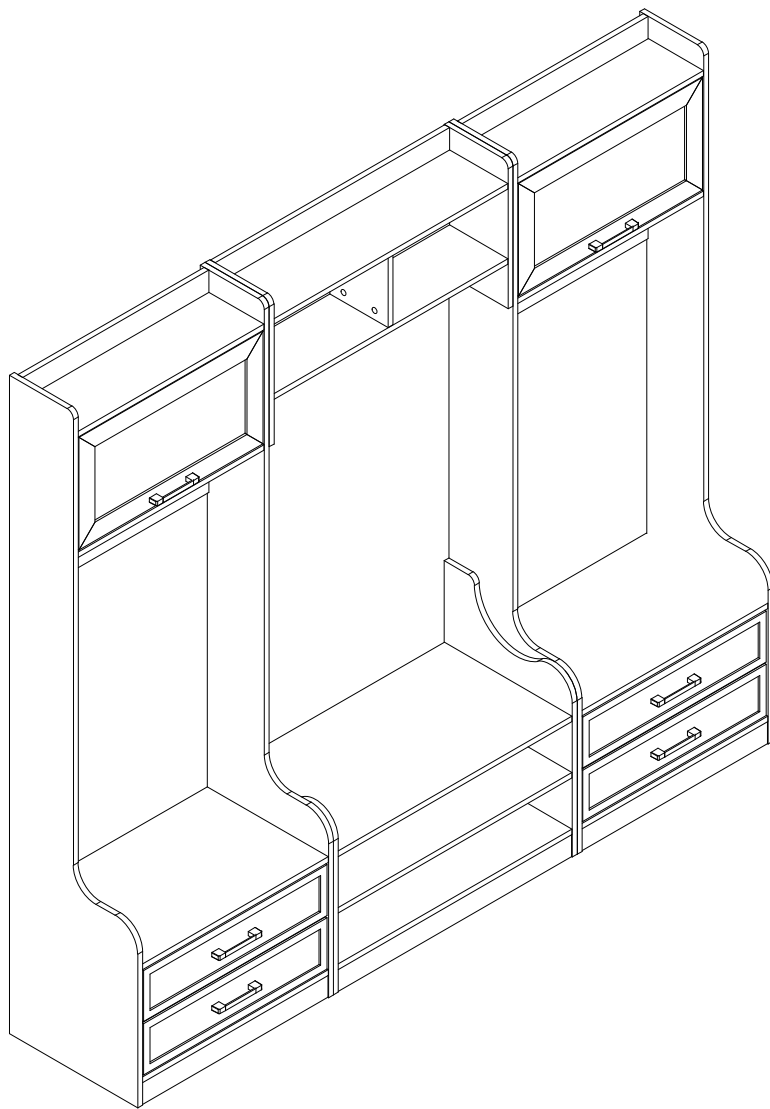
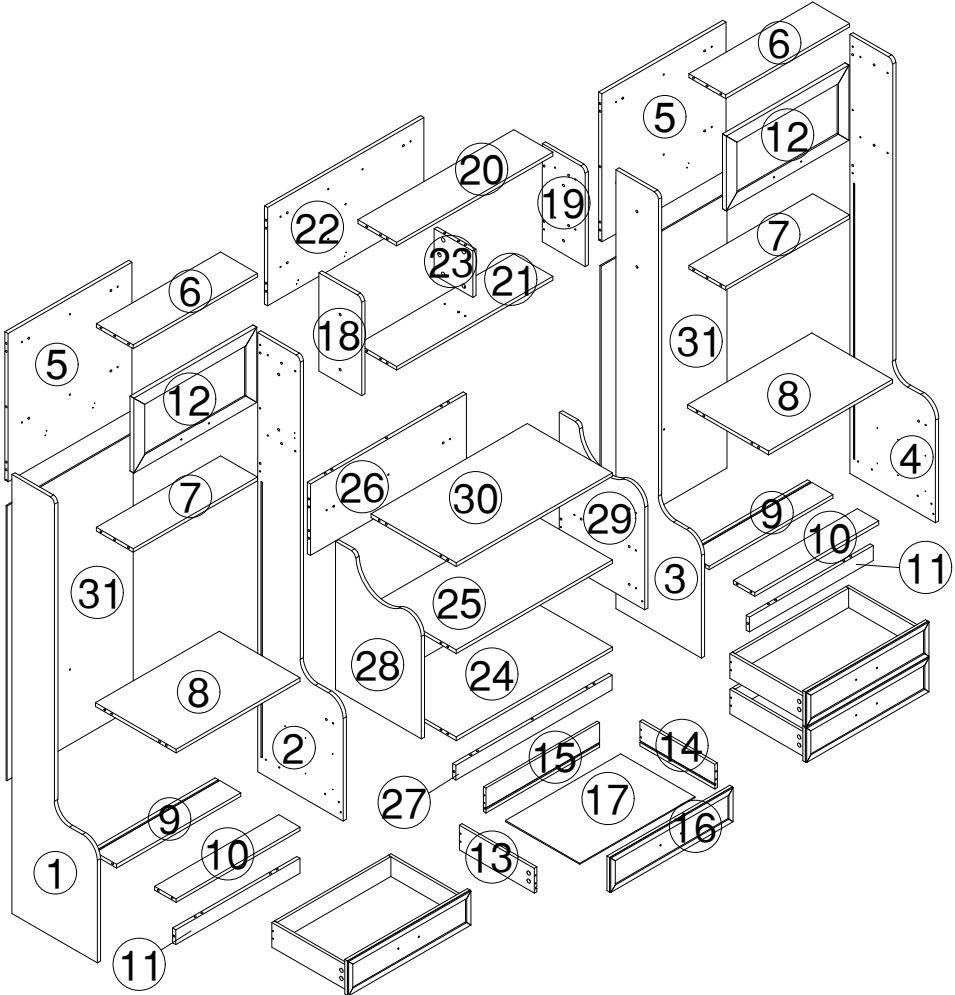
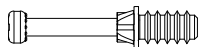


# Assembly Instructions





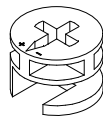
x139



(A)

34mm

x123



(B)

Ø15\*12mm

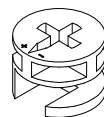
x76



(C)

Ø8\*30mm

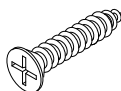
x16



(D)

Ø15\*10mm

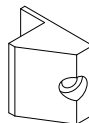
x8



(E)

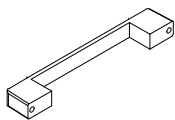
Ø3\*18mm

x8



(F)

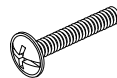
x6



(G)

孔距128mm

x4



(H)

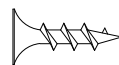
M4\*22mm

x7



(J)

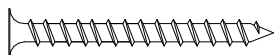
x14



(K)

Ø4\*15mm

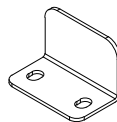
x16



(L)

Ø5\*38mm

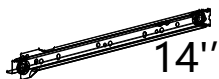
x2



(M)

30\*17\*17mm

×4

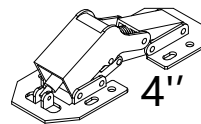


14"

(N)

350\*27mm

×4

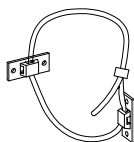


4"

(P)

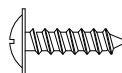
113\*42mm

×2



(Q)

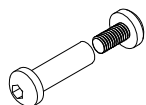
×42



(R)

Ø3.5\*12mm

×4



(T)

13\*Ø8\*25mm

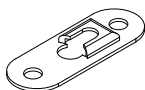
×8



(S)

M4\*16mm

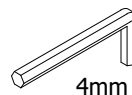
×2



(V)

L42\*W16\*1.5mm

×2



4mm

(W)

4mm\*24\*70

×48

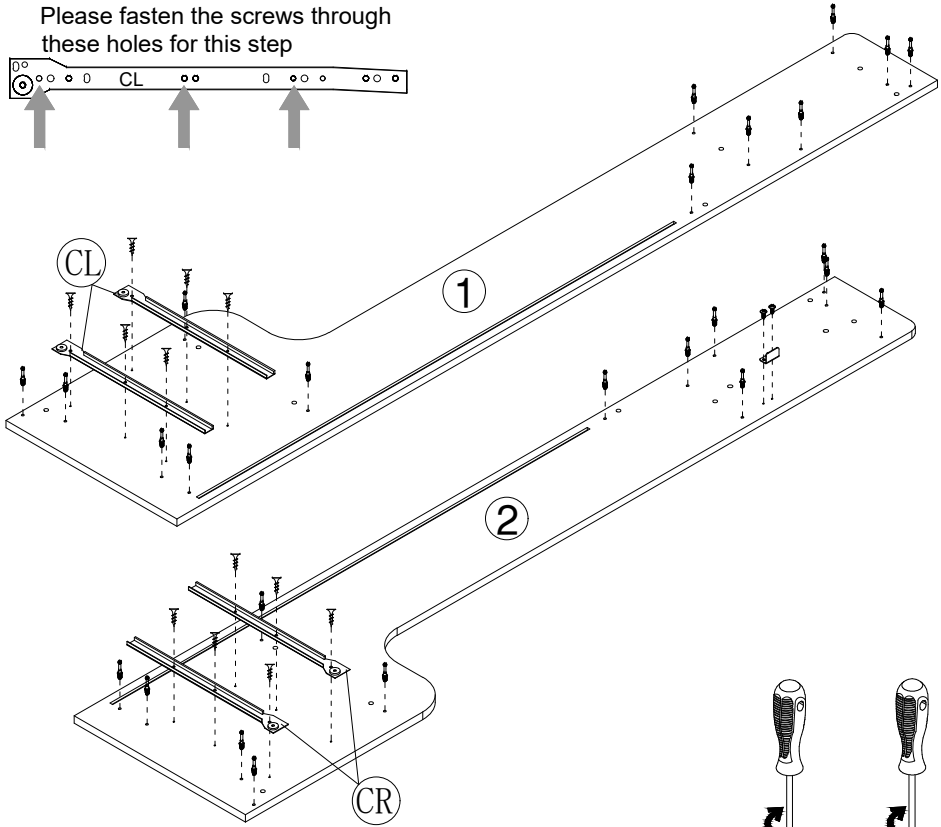
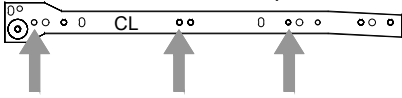


(U)

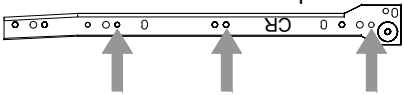
Ø3.5\*11mm

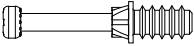
# 1

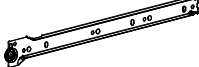
Please fasten the screws through these holes for this step

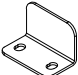



Please fasten the screws through these holes for this step

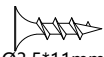


**A**  [ ×26 ]

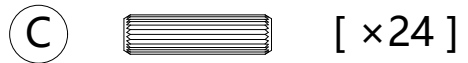
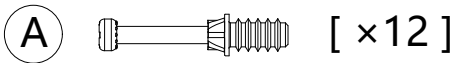
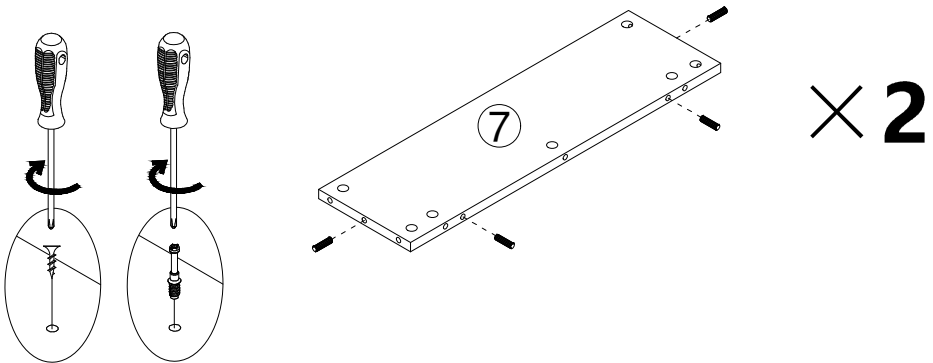
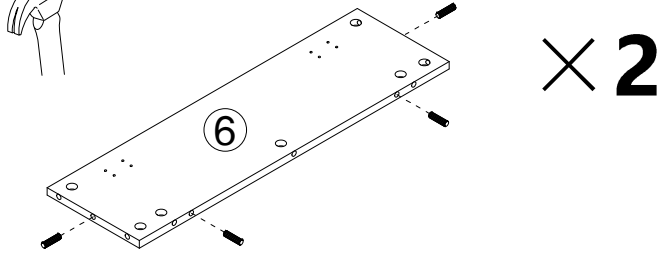
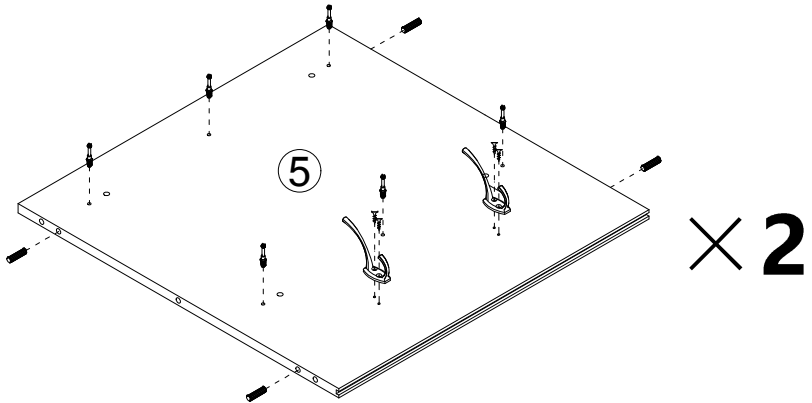
**N**  [ ×4 ]

**M**  [ ×1 ]

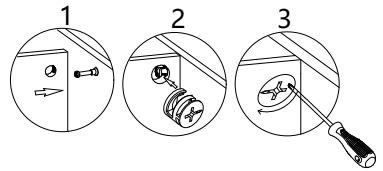
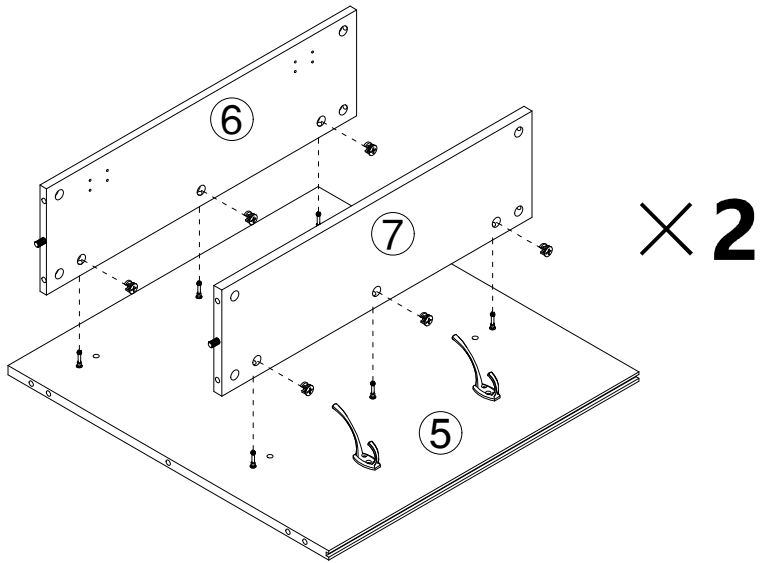
**R**  [ ×2 ]

**U**  Ø3.5\*11mm [ ×12 ]

2



3

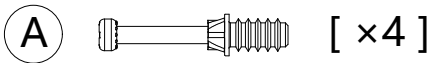
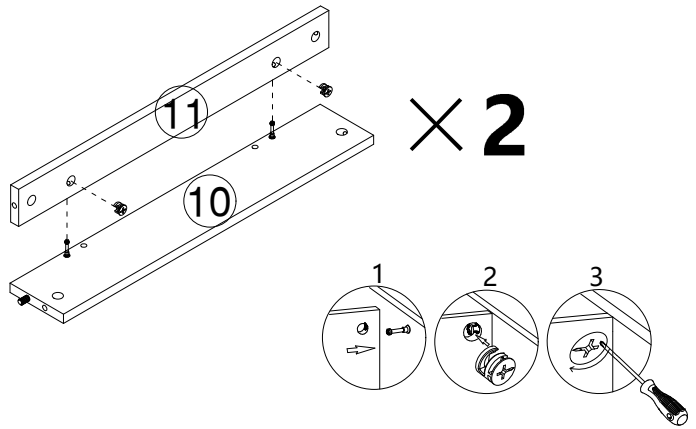
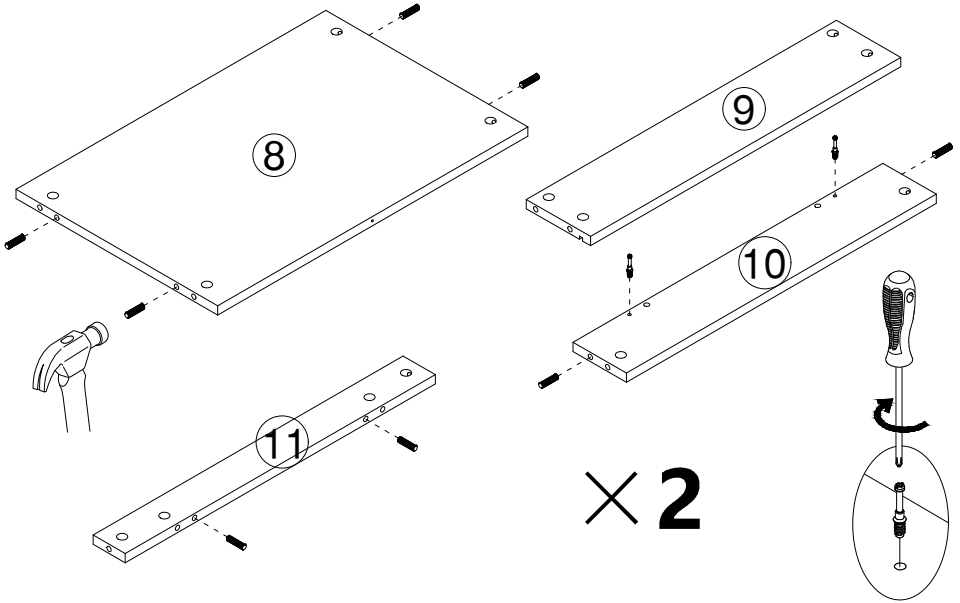


B

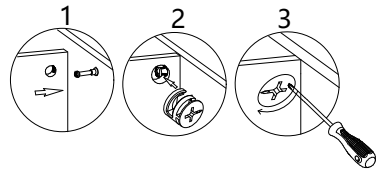
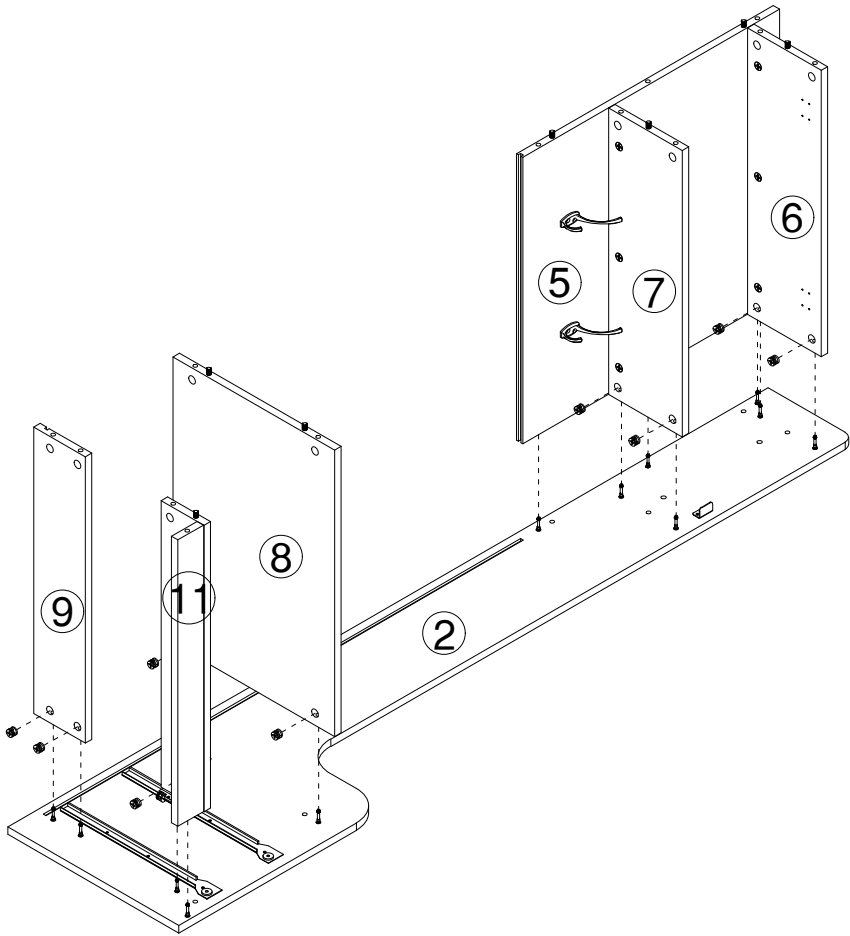


[ x12 ]

4



# 5

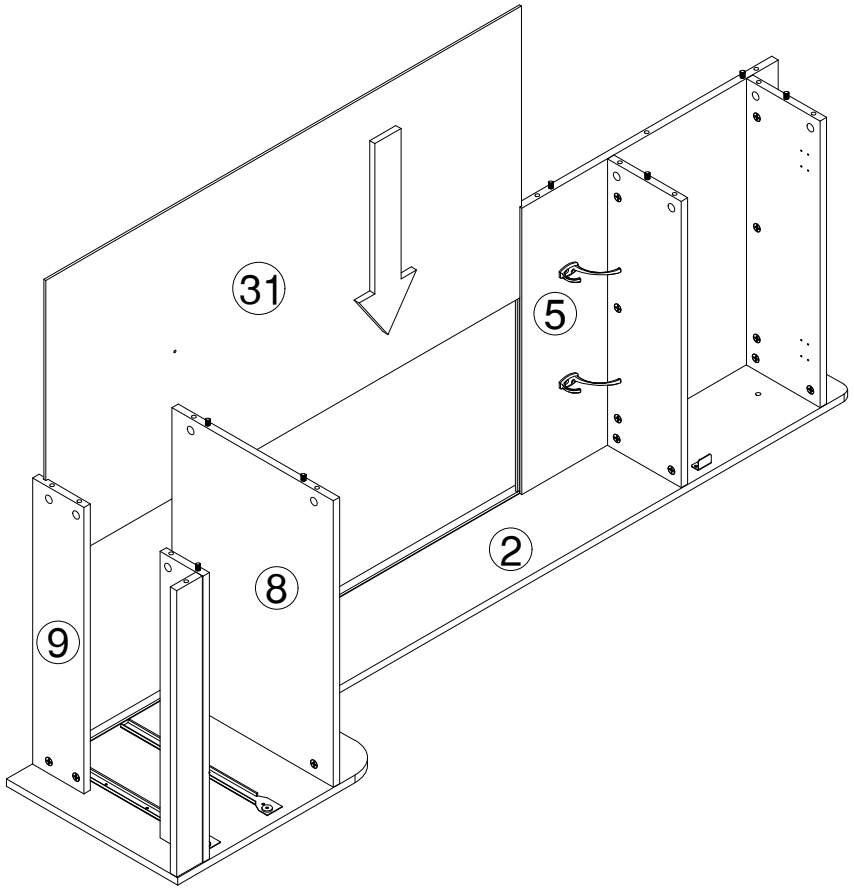


B

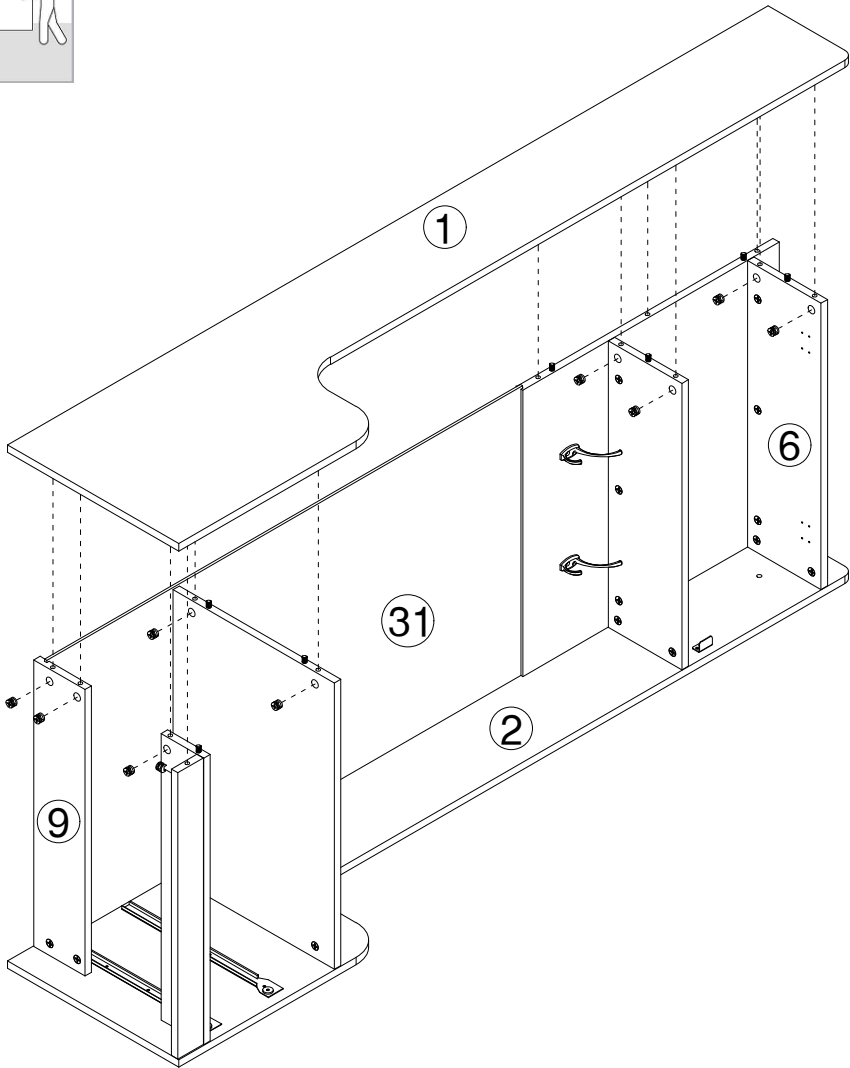


[ ×10 ]

6



# 7

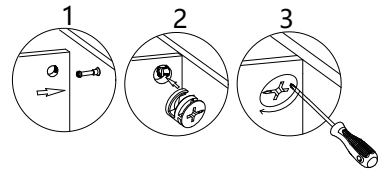
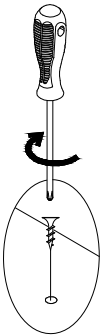
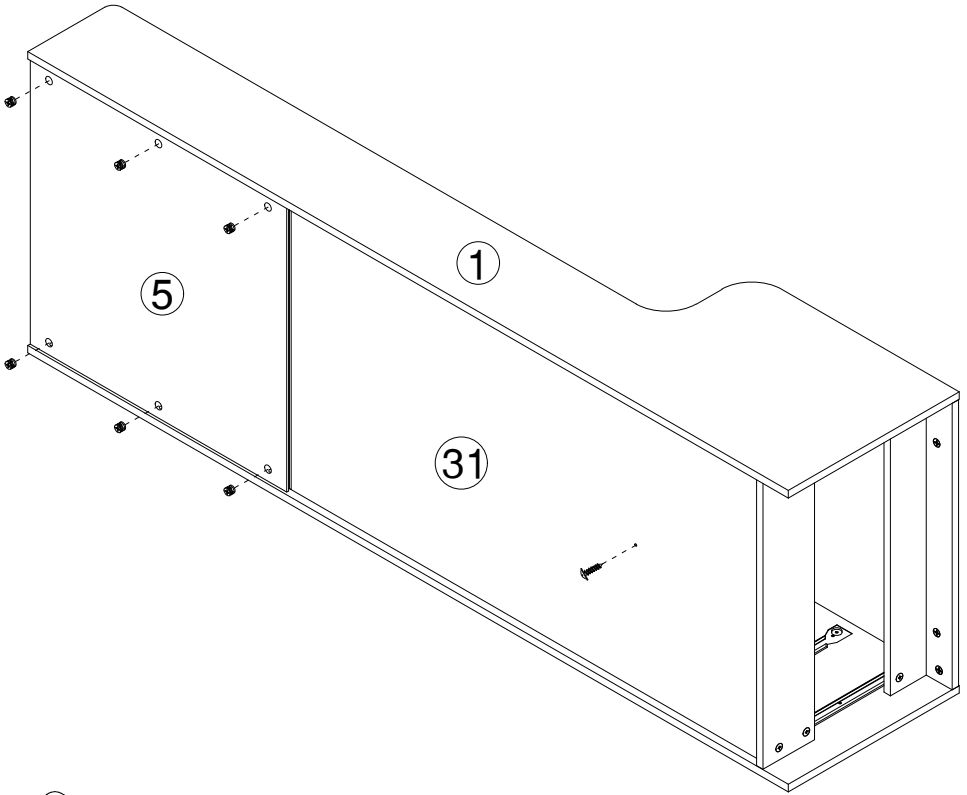


**B**



[ ×10 ]

# 8

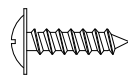


(B)



[ ×6 ]

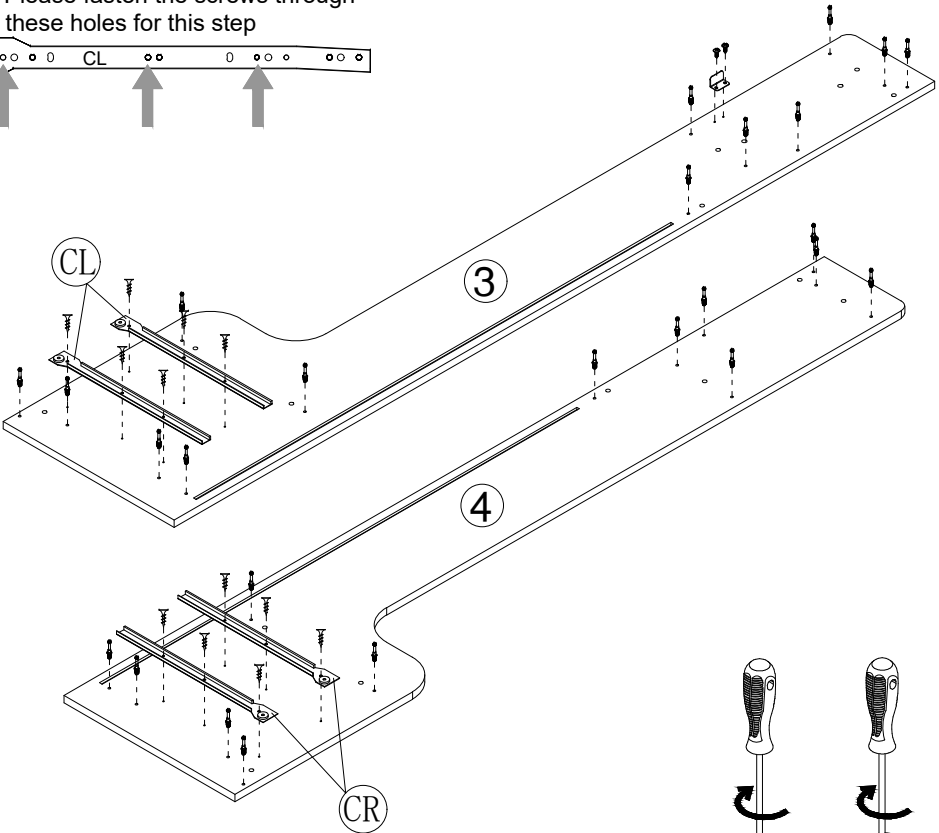
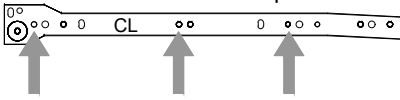
(R)



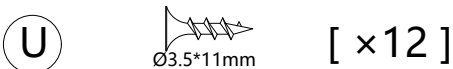
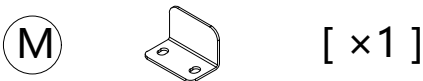
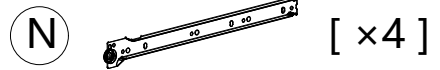
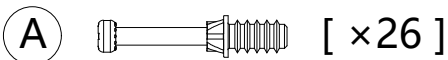
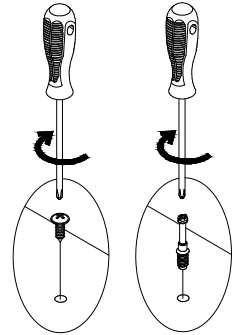
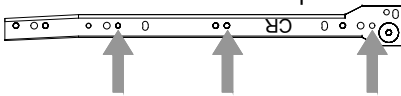
[ ×1 ]

# 9

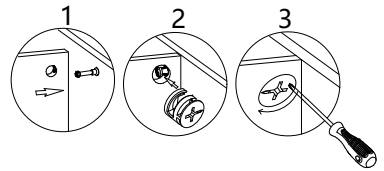
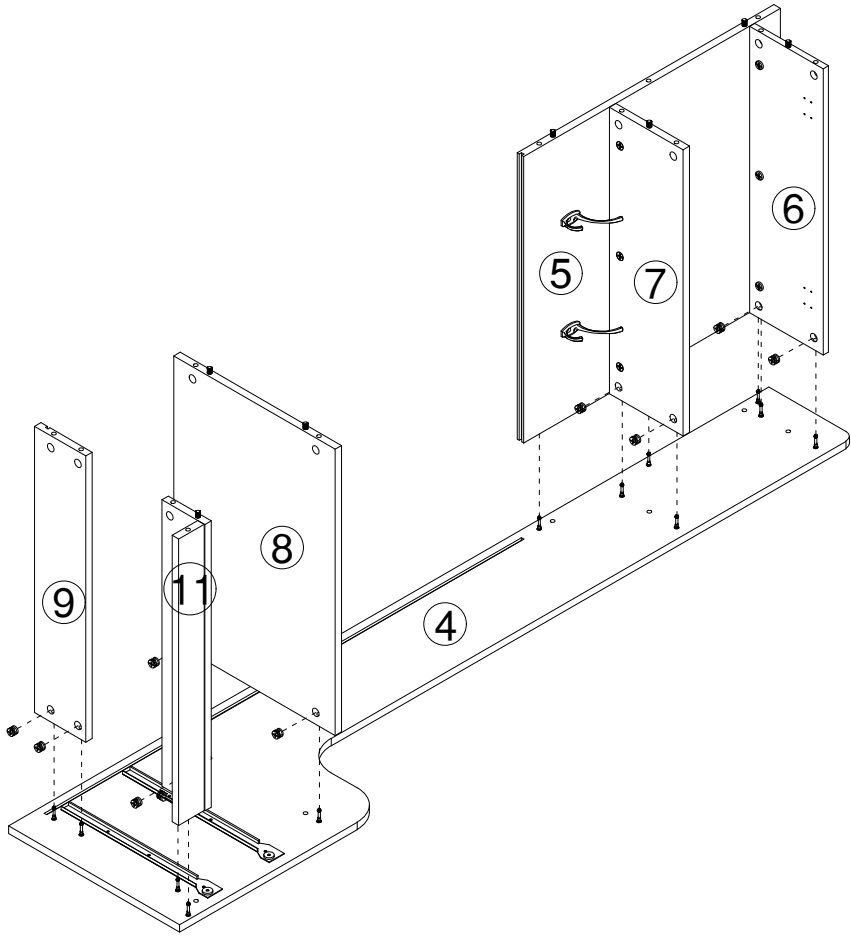
Please fasten the screws through these holes for this step



Please fasten the screws through these holes for this step



# 10

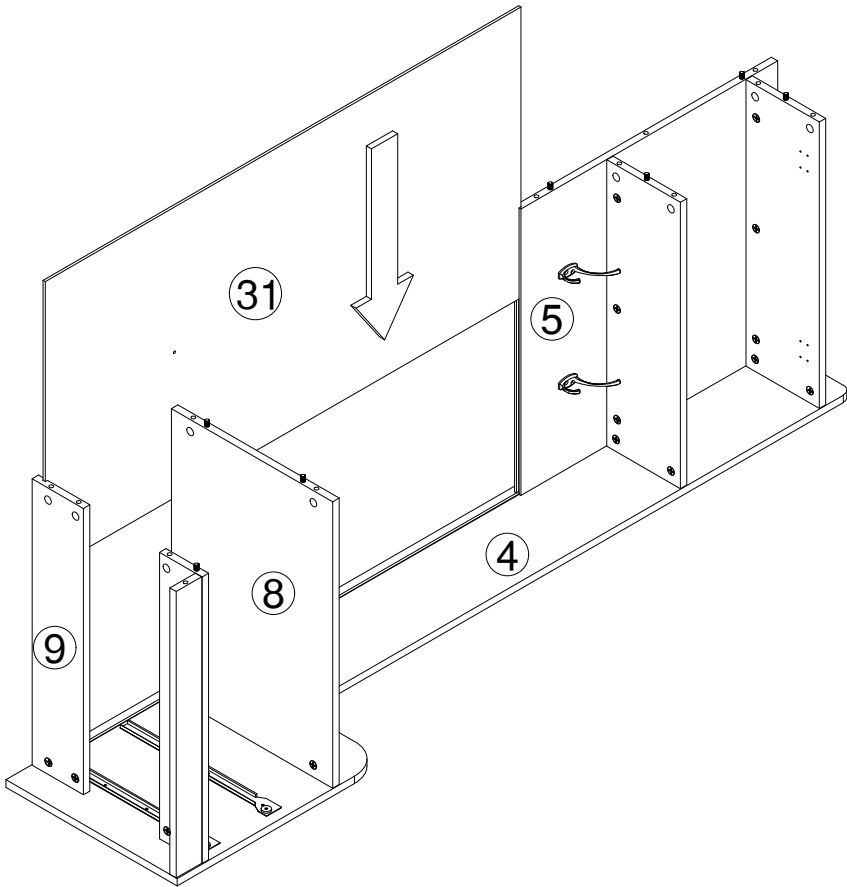


B



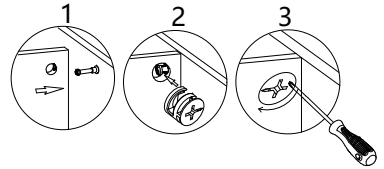
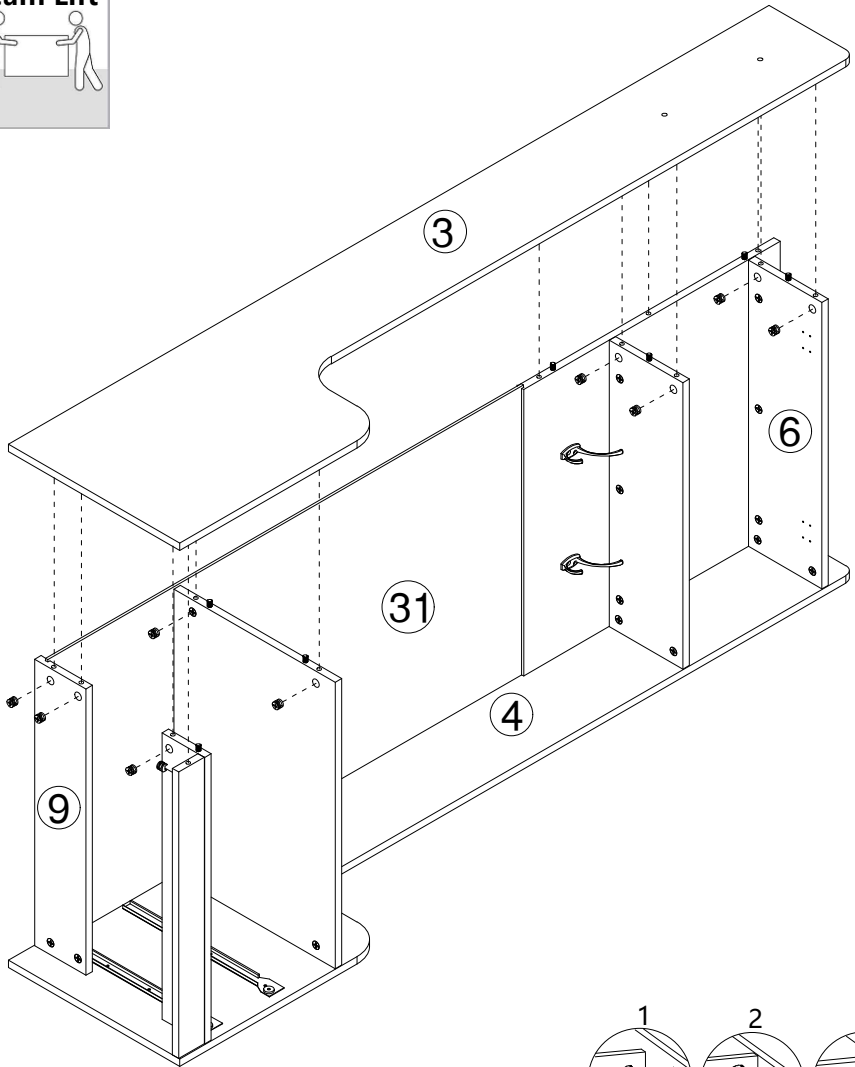
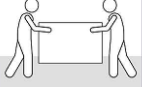
[ ×10 ]

11



# 12

Team Lift

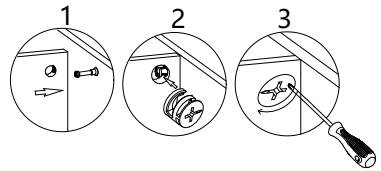
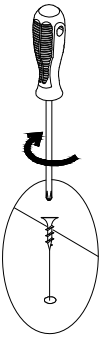
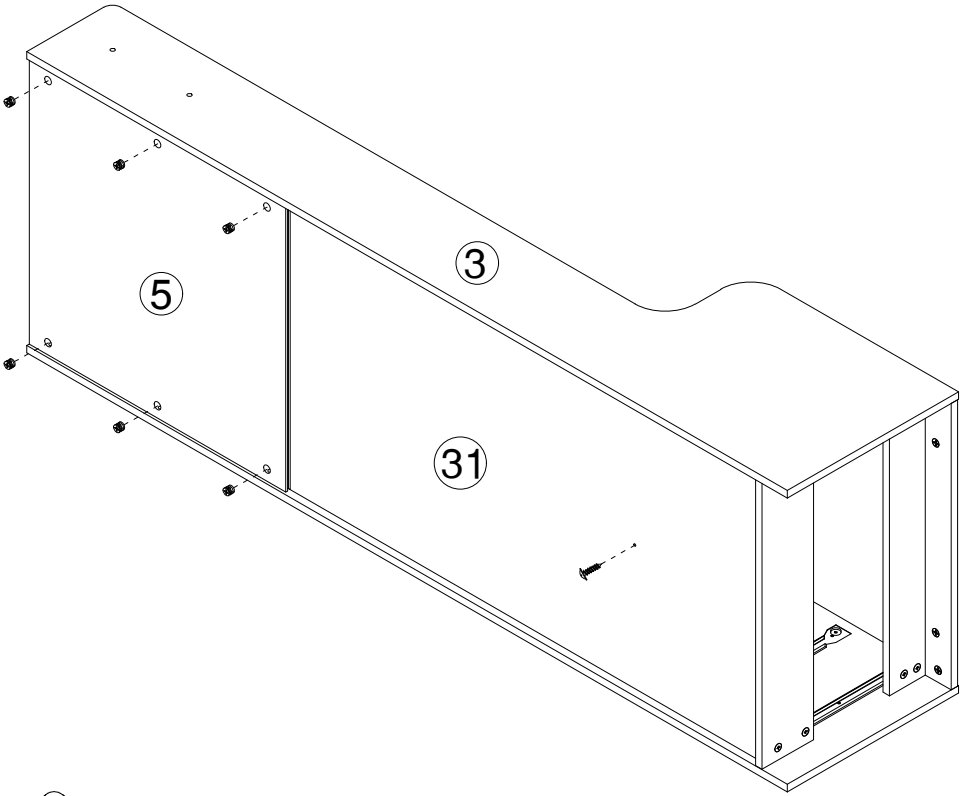


B



[ ×10 ]

# 13

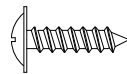


B



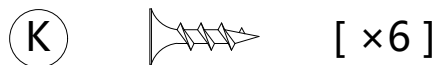
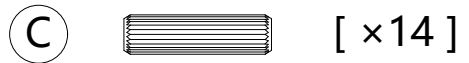
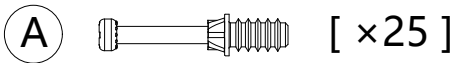
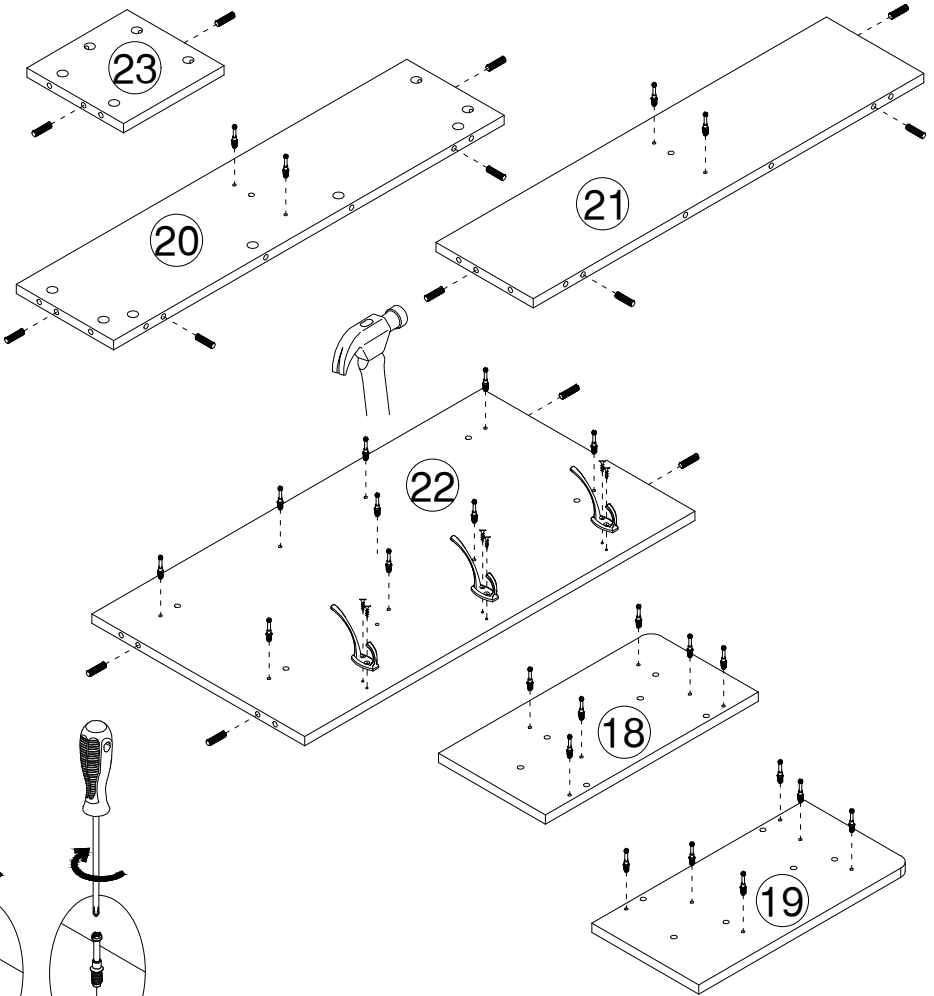
[ ×6 ]

R

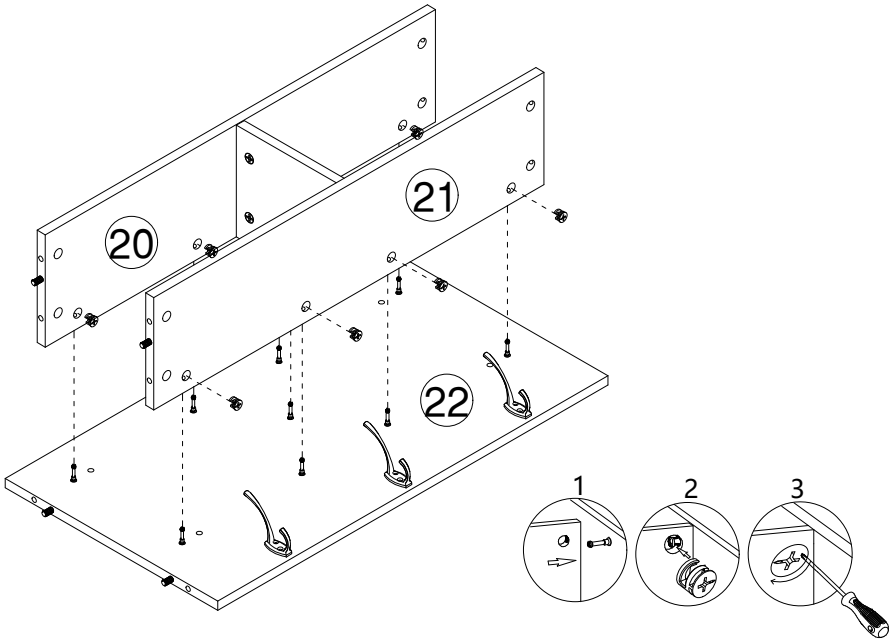
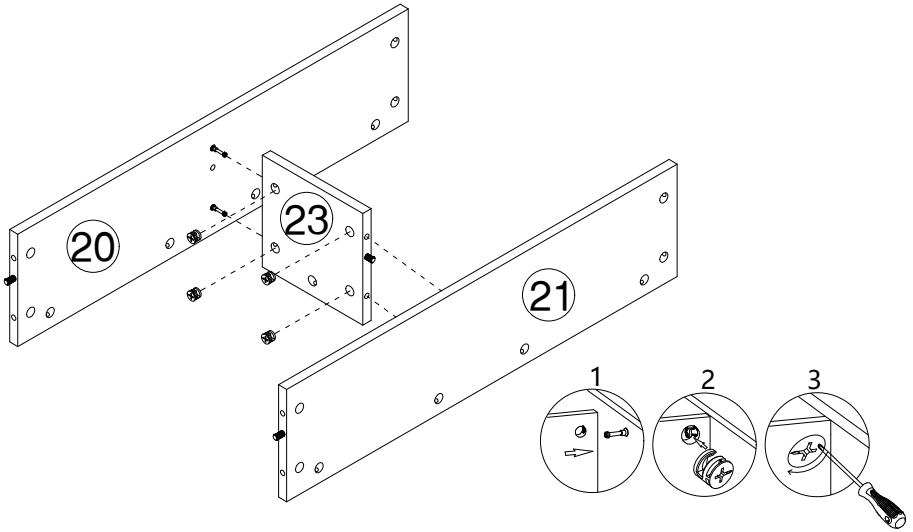


[ ×1 ]

# 14



# 15

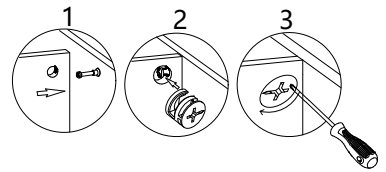
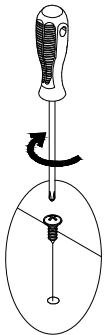
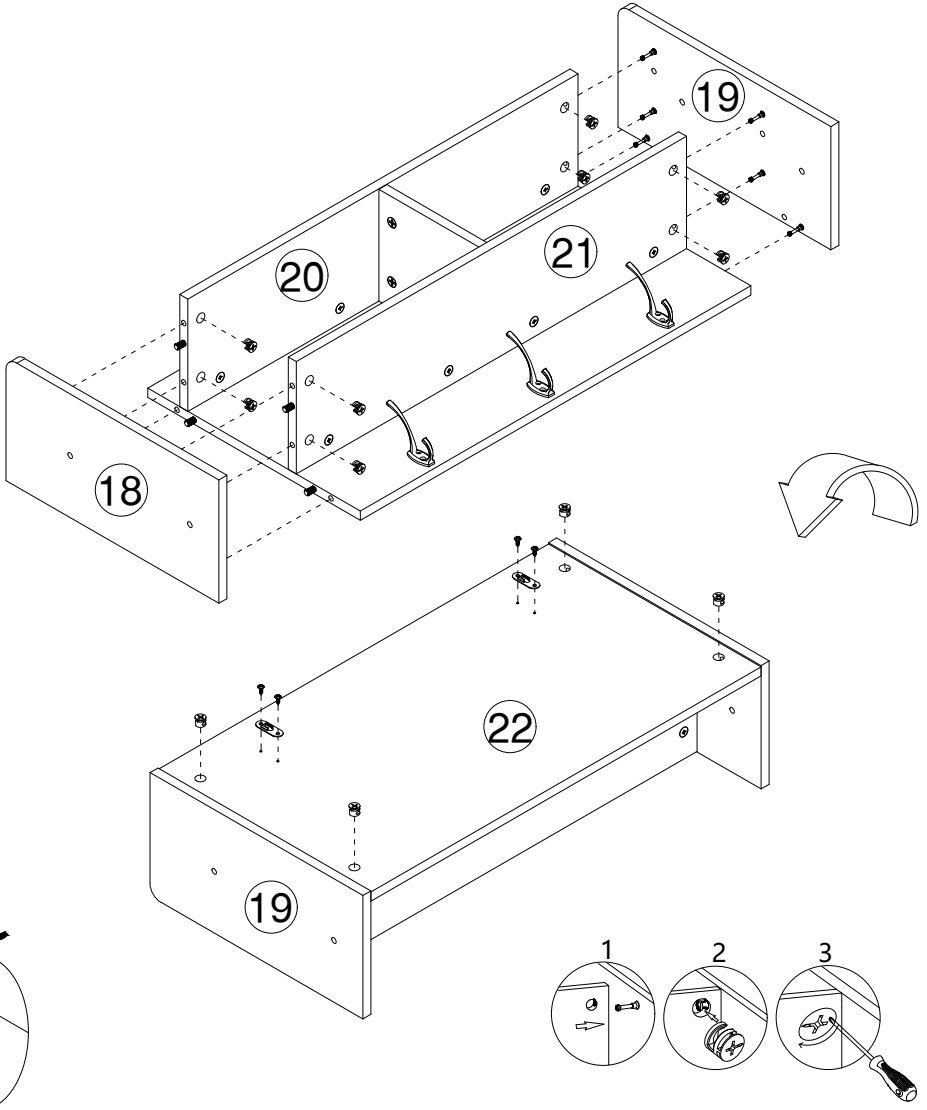


**B**




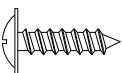
[ ×13 ]

# 16

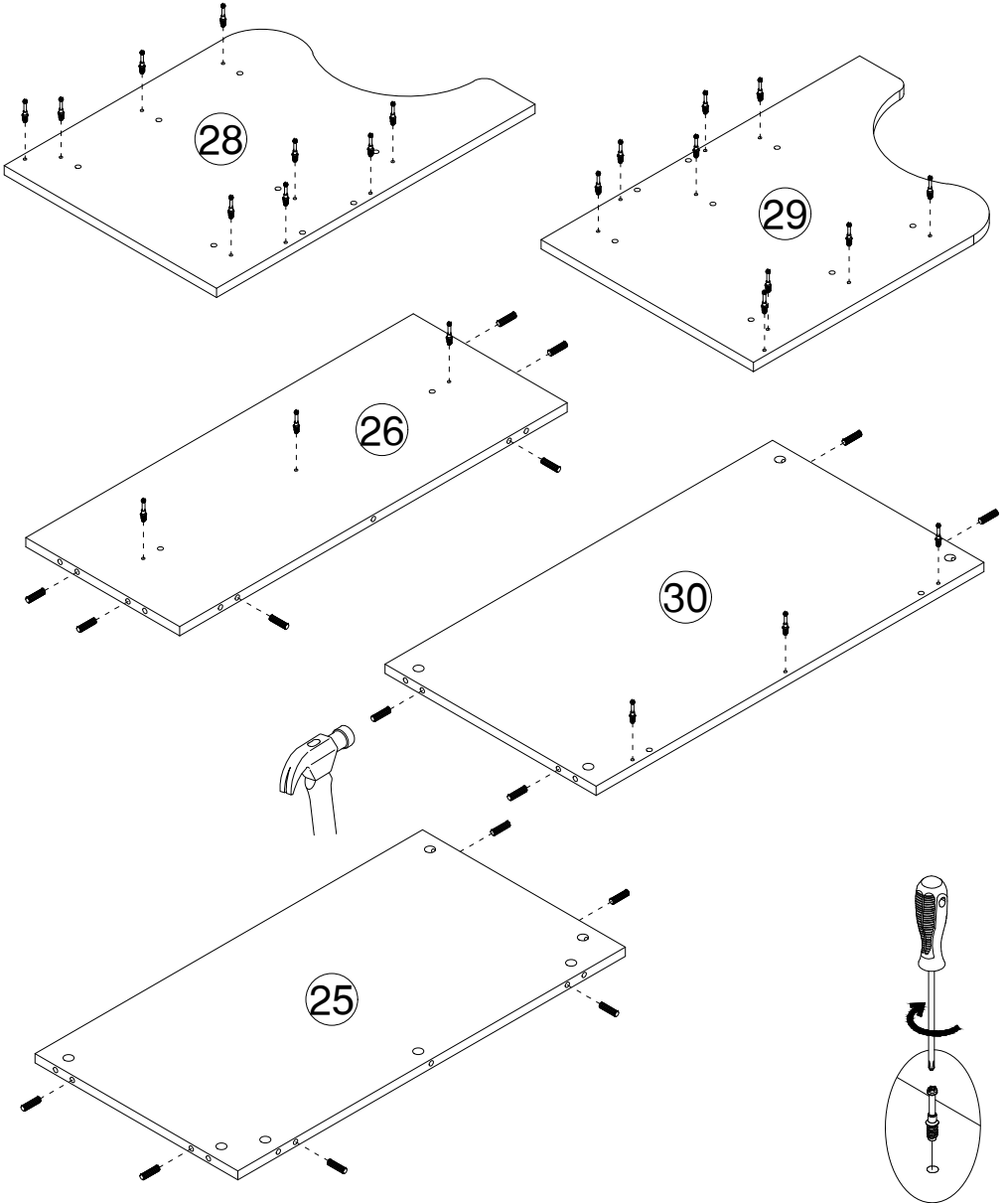


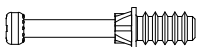
**B**  [ x12 ]


**V**  [ x2 ]

**S**  [ x4 ]

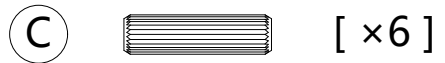
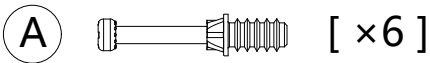
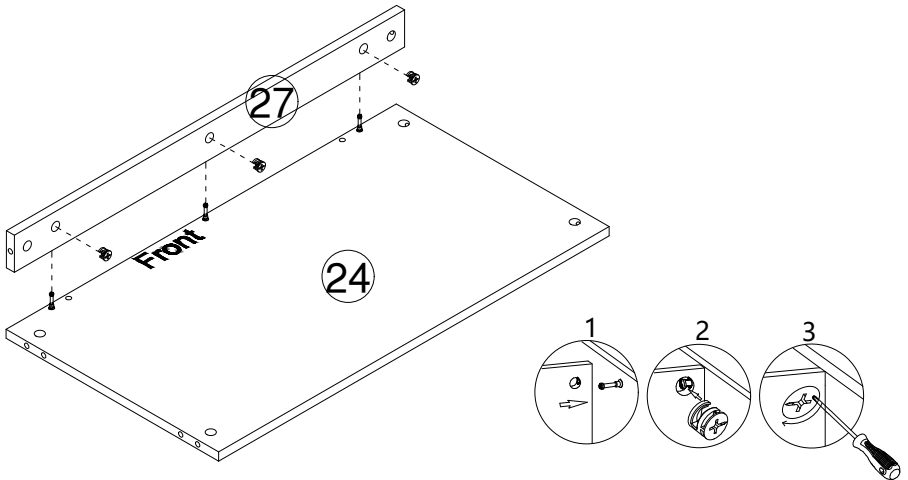
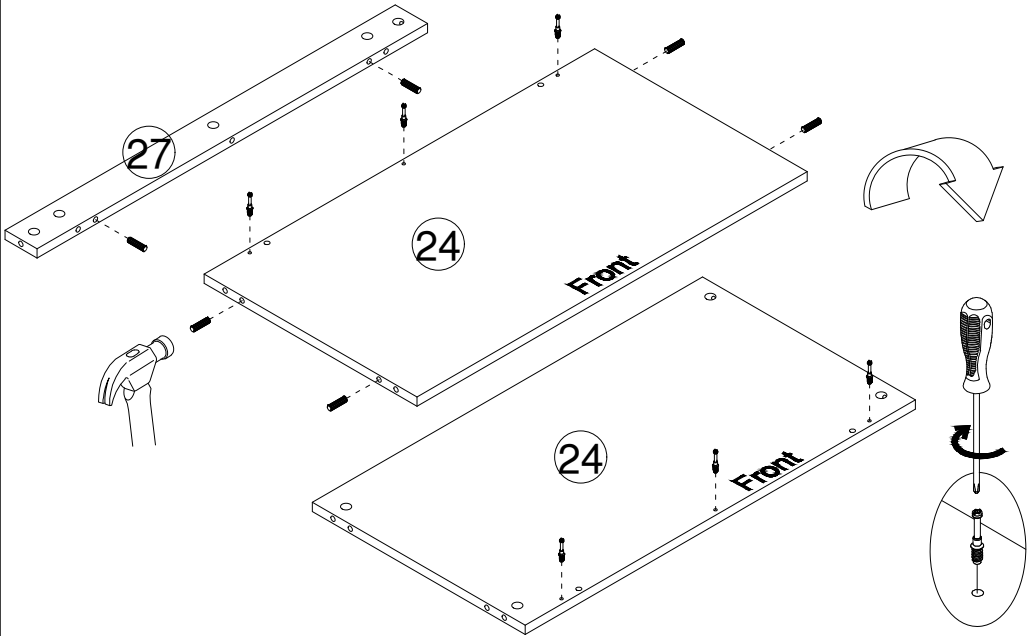
# 17

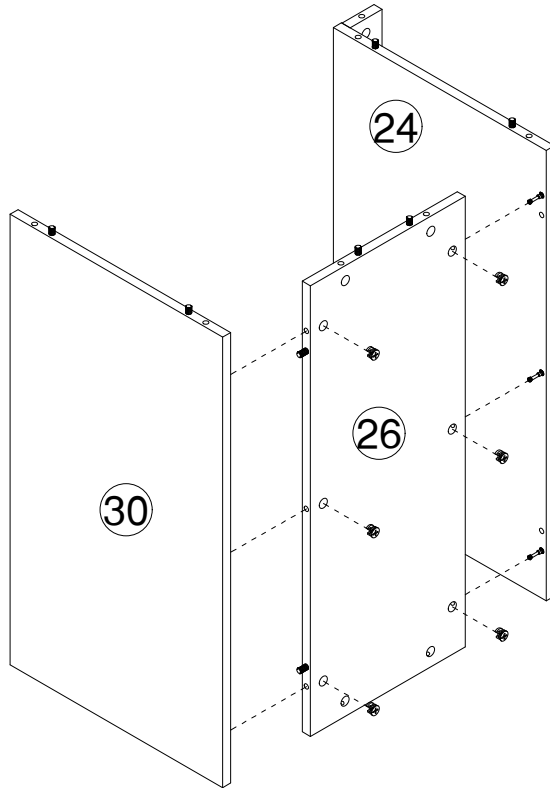


**A**  [ x24 ]

**C**  [ x16 ]

# 18



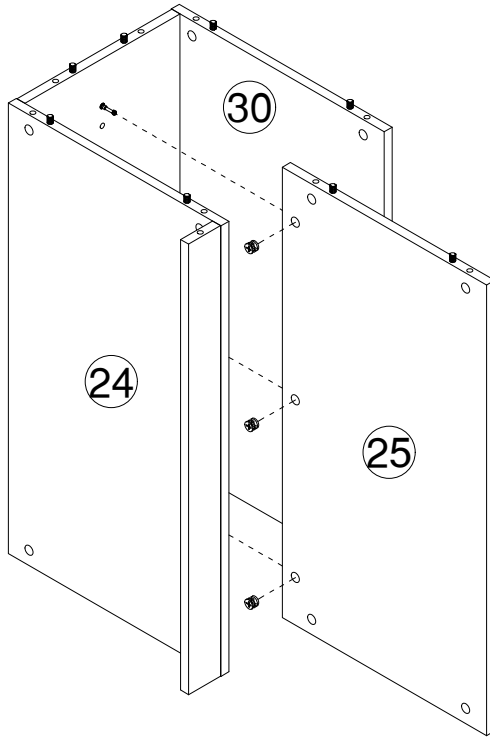


C



[ ×6 ]

# 20

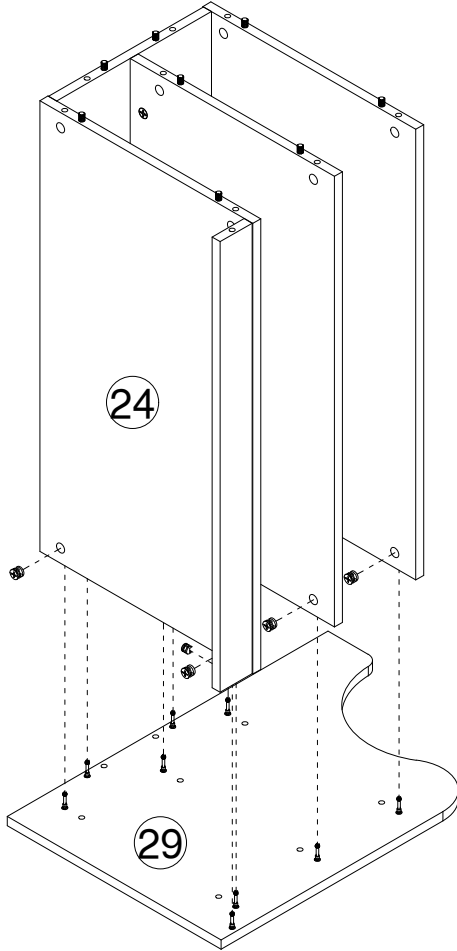


C



[ ×3 ]

# 21

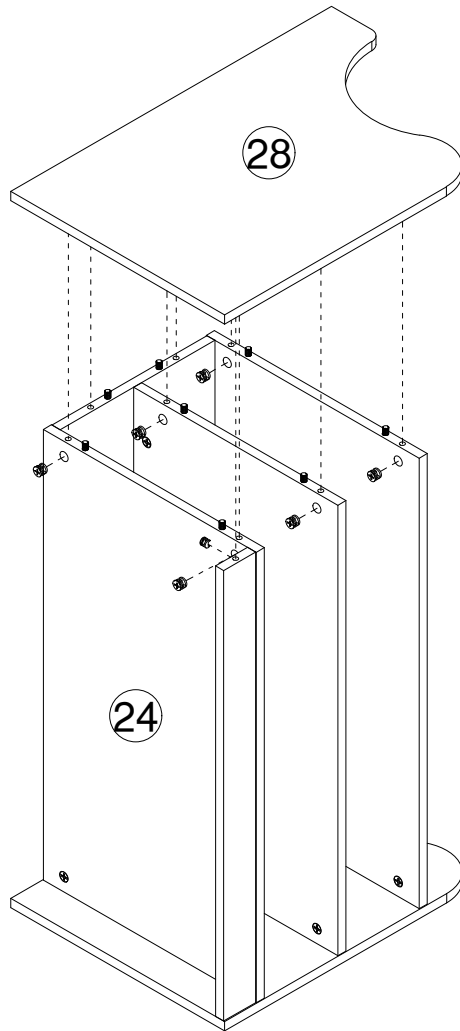


C



[ x9 ]

22

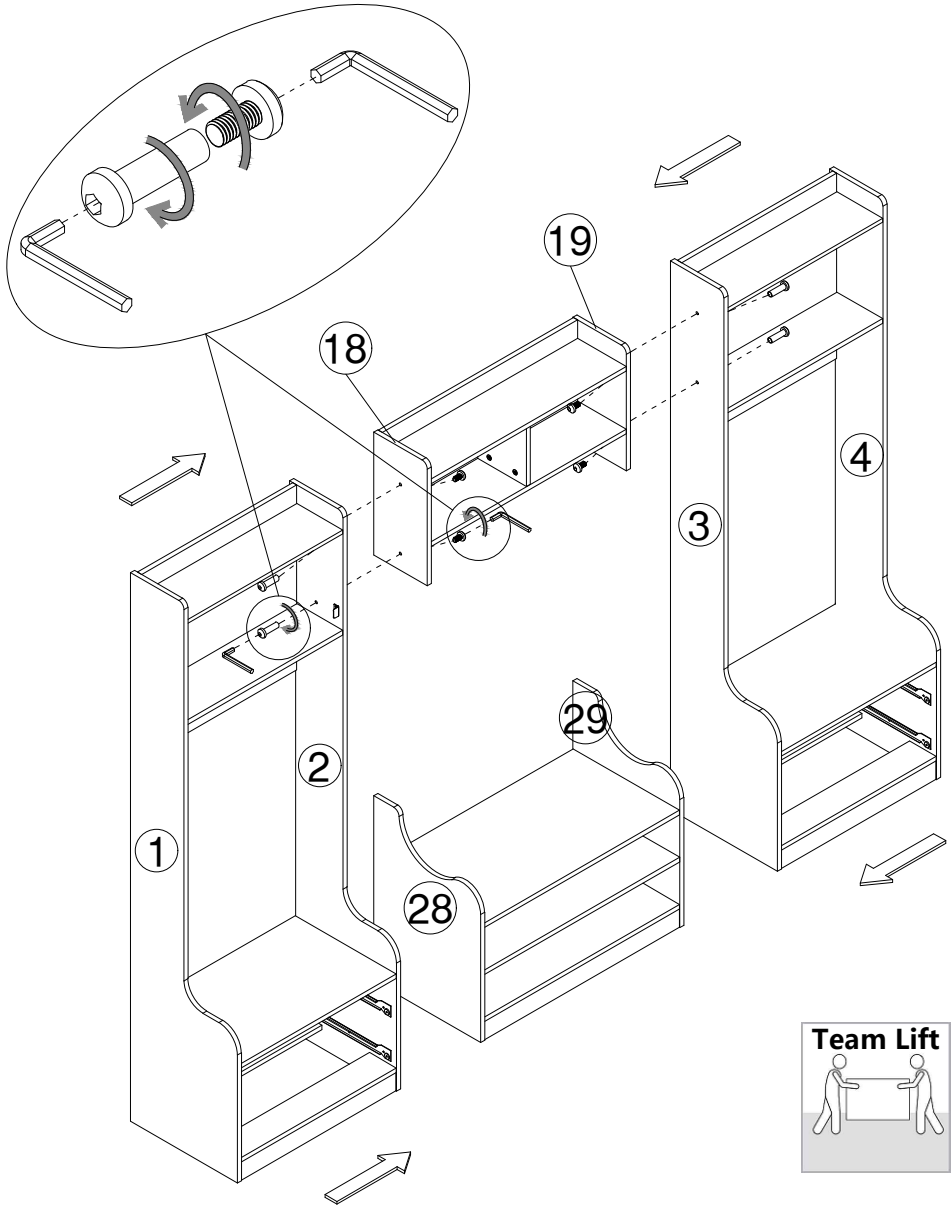


C

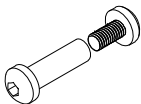


[ x9 ]

# 23

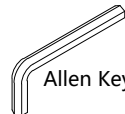


T



[ × 4 ]

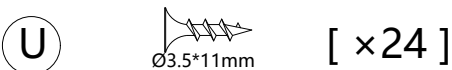
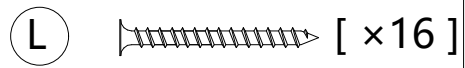
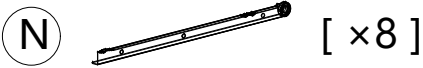
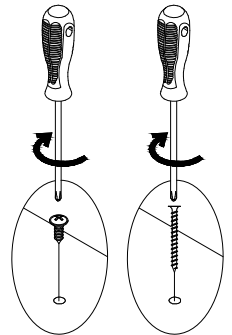
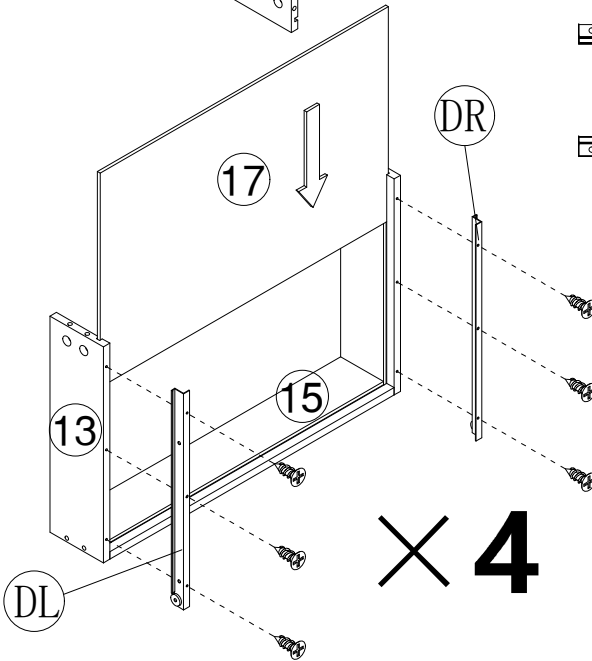
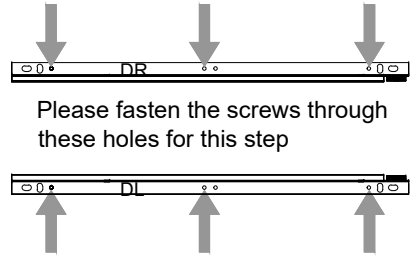
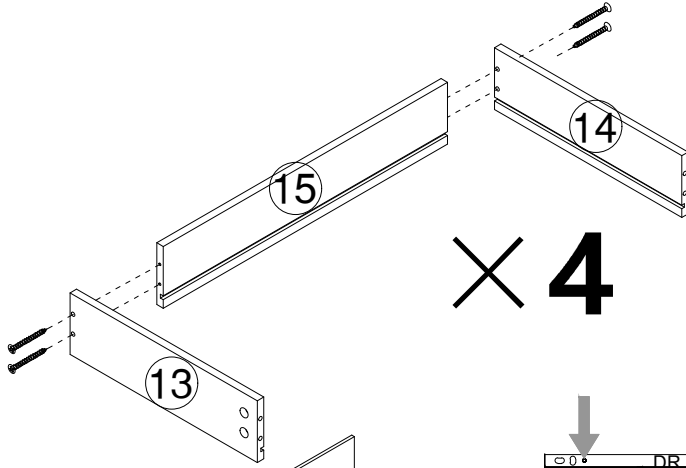
W



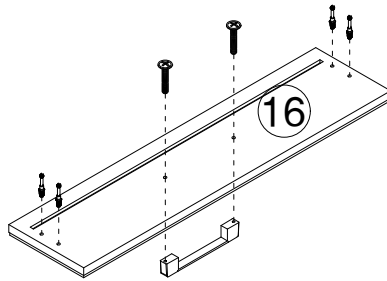
Allen Key

[ × 2 ]

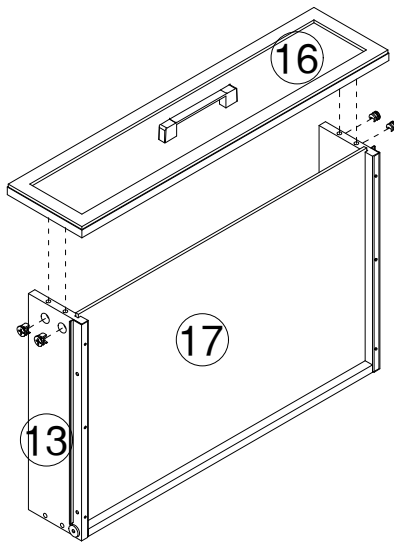
# 24



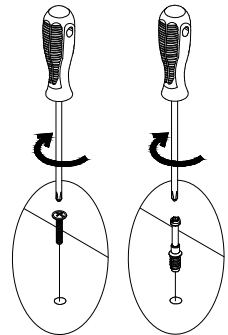
# 25



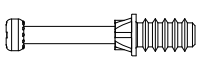
× 4



× 4



A



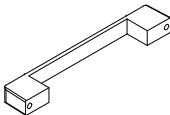
[ ×16 ]

D



[ ×16 ]

G



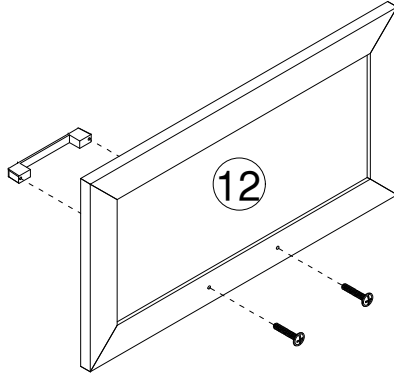
[ ×4 ]

S

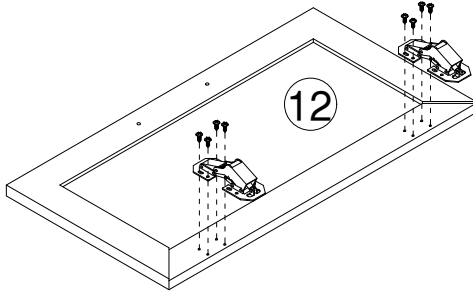


[ ×8 ]

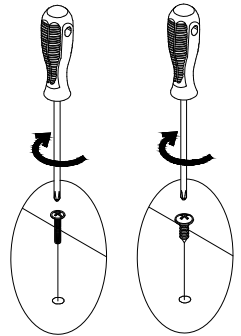
26



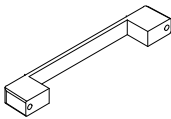
× 2



× 2

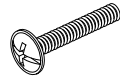


G



[ × 2 ]

H



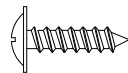
[ × 4 ]

P

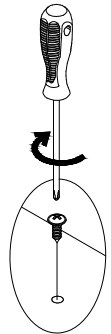
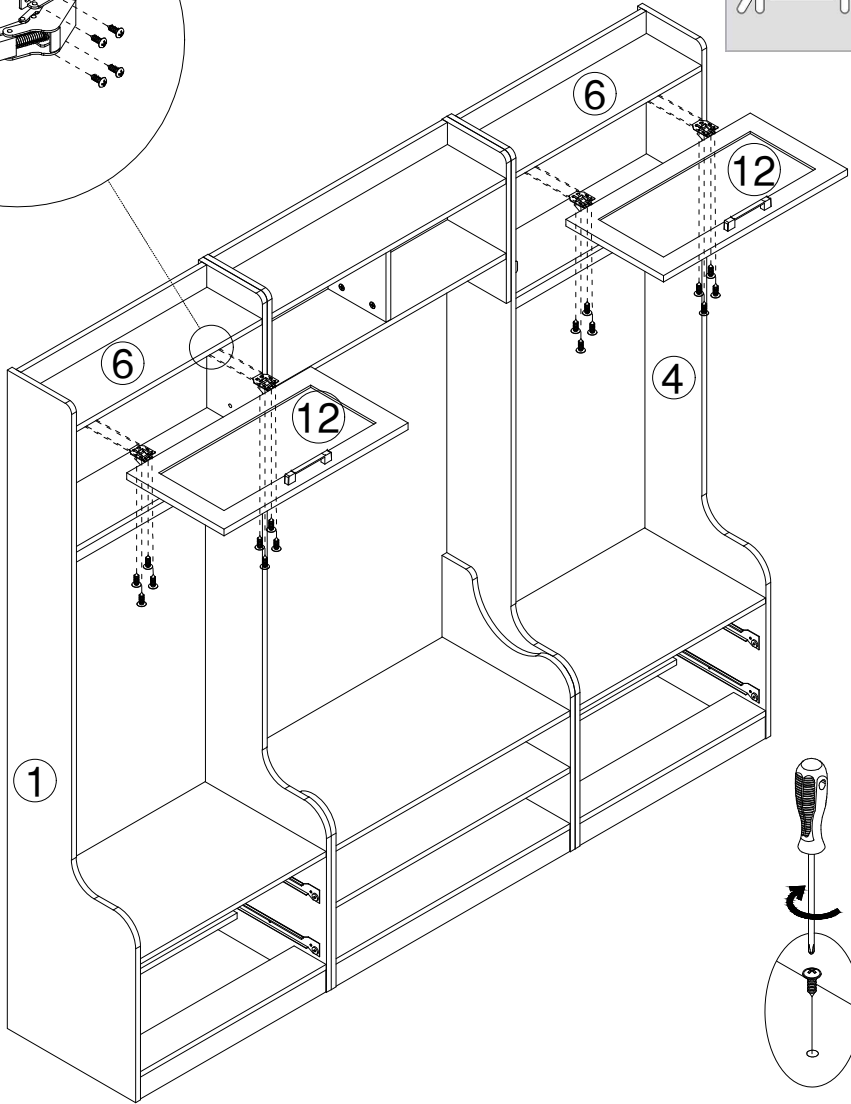
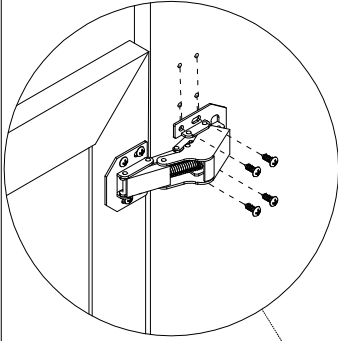


[ × 4 ]

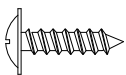
R



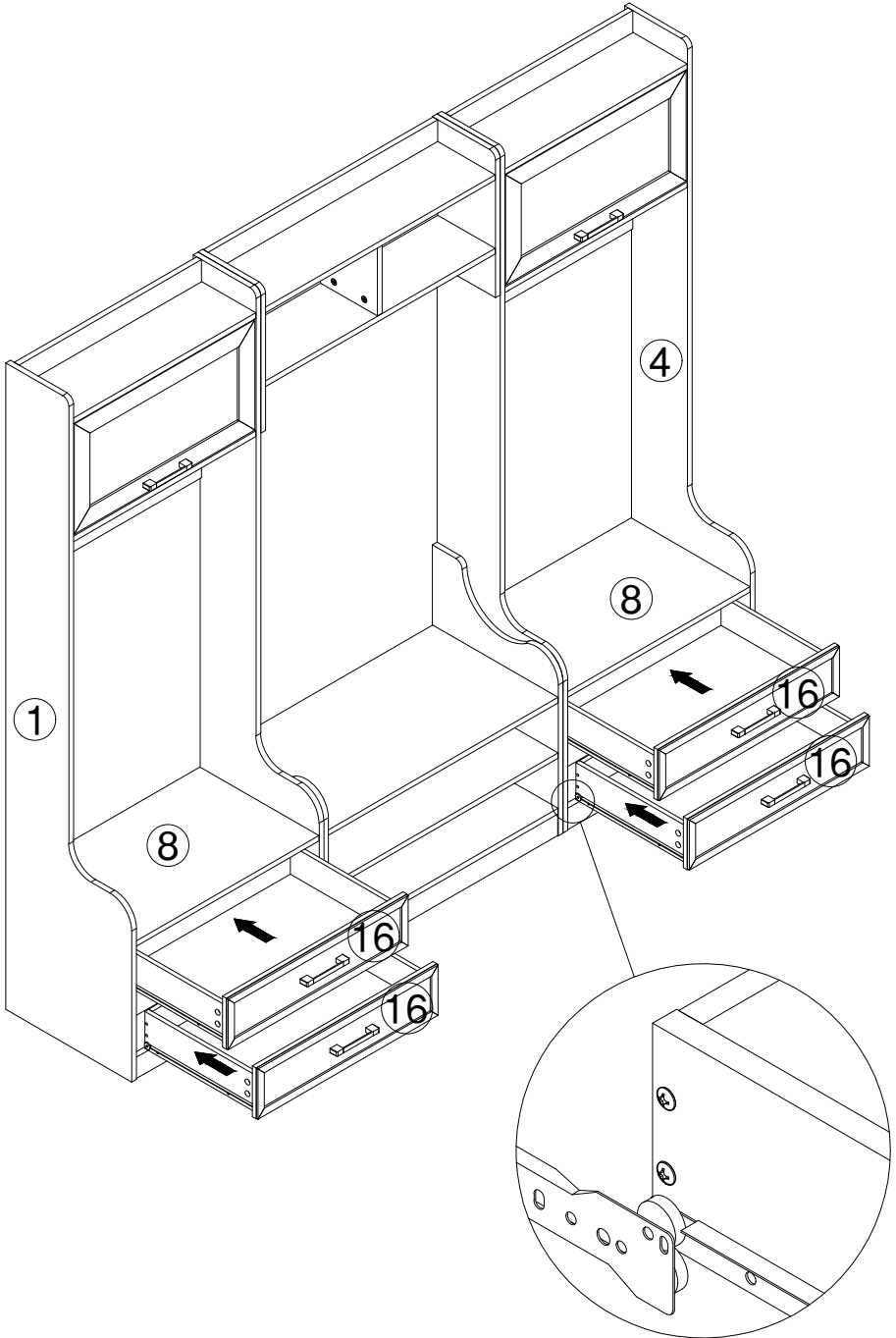
[ × 16 ]

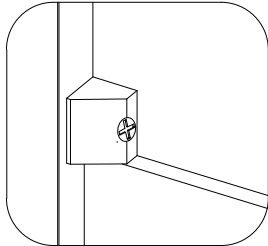
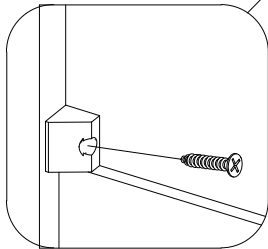
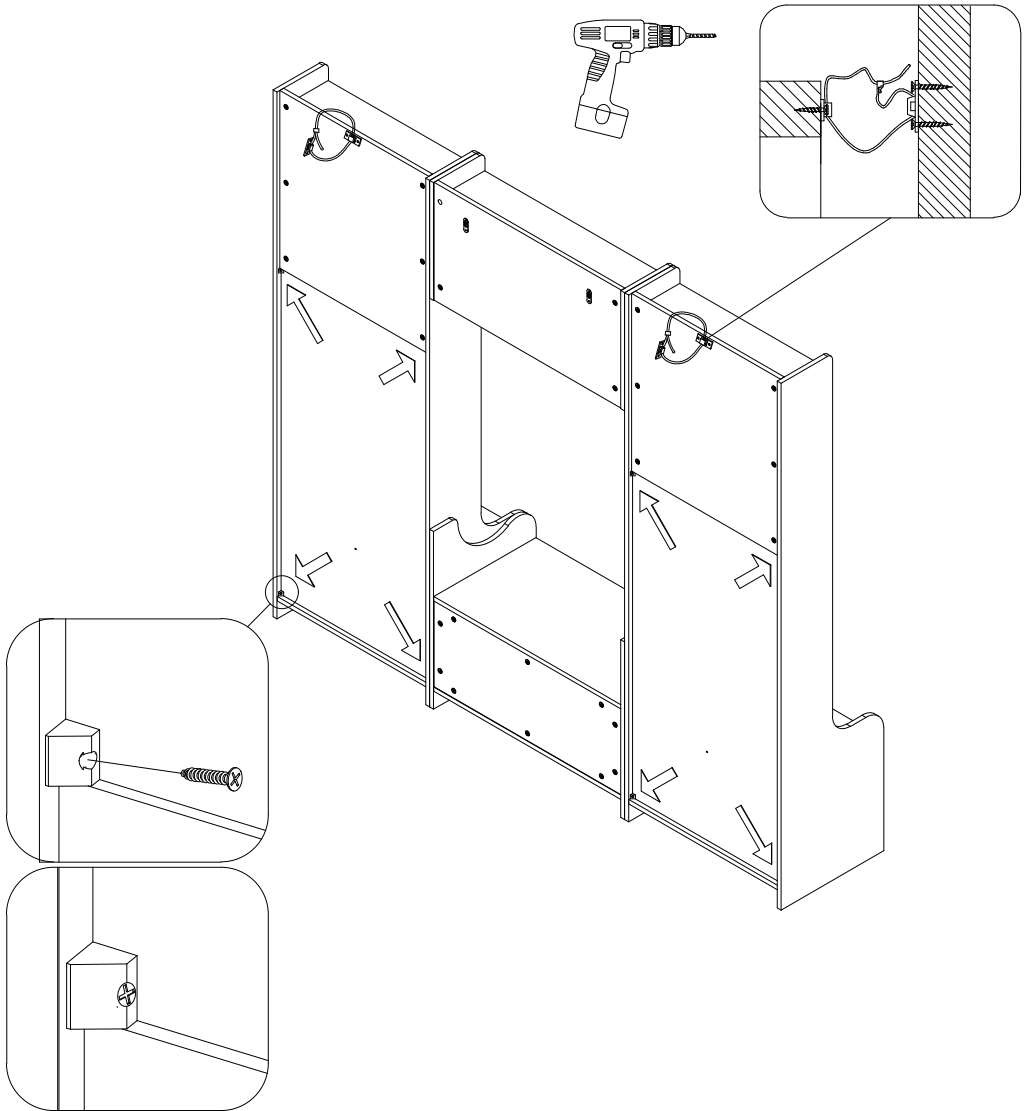


R



[ ×16 ]





E



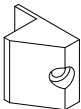
[ x8 ]

Q



[ x2 ]

F



[ x8 ]