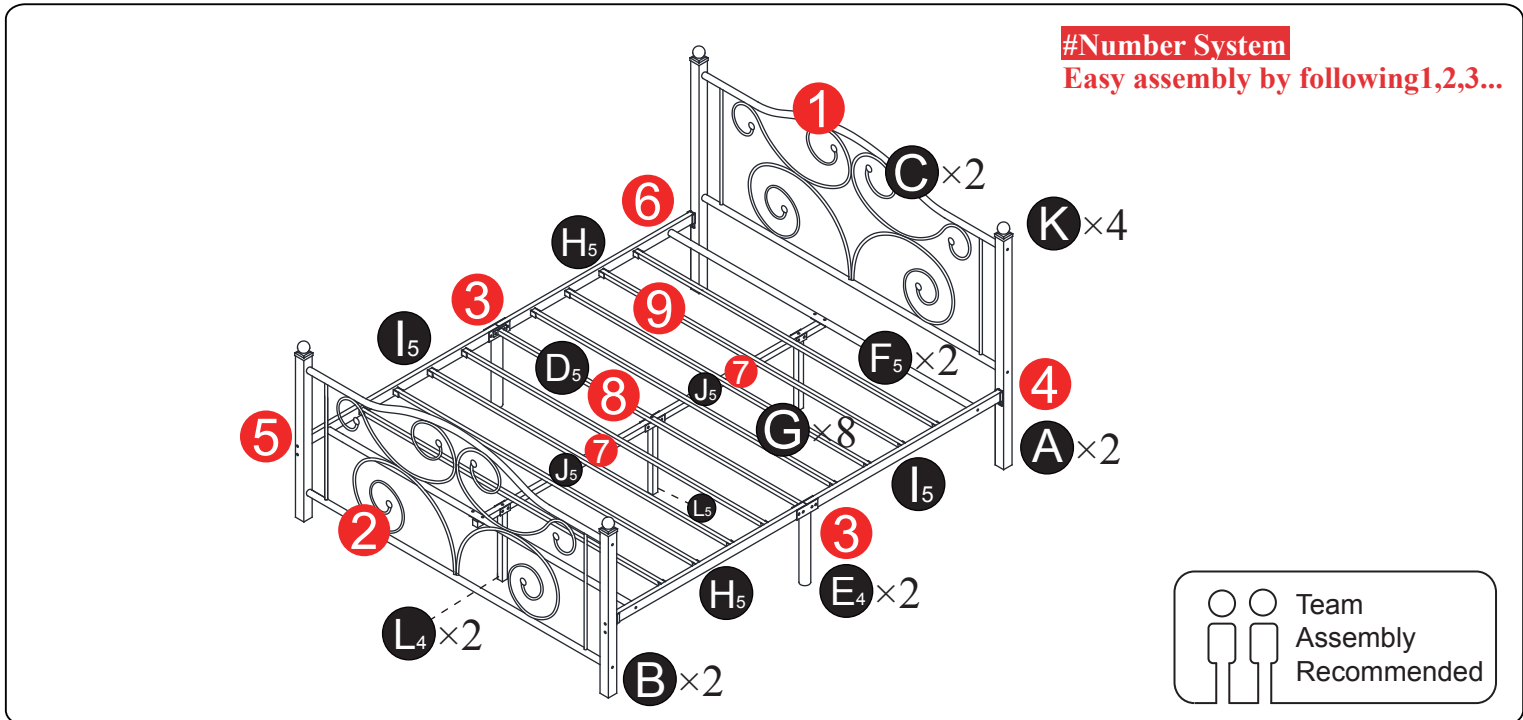


# Bed Frame Installation Manual



Componets		Screws & Tools	
	A x2	1	M8x50mm x8
	B x2	2	M8x35mm x8
	C x2	3	M6x60mm x9
	D x1	4	M6x40mm x12
	E <sub>4</sub> x2	5	M6x30mm x4
	F <sub>5</sub> x2	6	M6x15mm x4
	G x8	7	Ø x16
	H <sub>5</sub> x2	8	M8 x12
	I <sub>5</sub> x2	9	M6 x10
	J <sub>5</sub> x2	10	M5 x1
	K x4	11	M13/M10 x1
	L <sub>4</sub> x2		
	L <sub>5</sub> x1		

Check all the components & screws before assembly. Do not install in case part is missing, contact us to get. Send email with your question to support@vecelo.com. We will resend within 24 hours.

## 1 Headboard assembly

Note: In this step, do not tighten screw ③

Holes should be outside

## 2 Footboard assembly

Note: In this step, do not tighten screw ③

Holes should be outside

**3** Connect **E<sub>4</sub>** to **H<sub>5</sub>** & **I<sub>5</sub>**

	2x4		6x4
	8x4		

**4** Connect **H<sub>5</sub>** & **I<sub>5</sub>** to headboard

	1x4
	7x4
	8x2

**5** Connect **H<sub>5</sub>** & **I<sub>5</sub>** to footboard

	1x4
	7x4
	8x2

**6** Connect **F<sub>5</sub>** to **H<sub>5</sub>** & **I<sub>5</sub>**

Note: Part **F<sub>5</sub>** with screw holes

	4x4
--	-----

Note: In this step, please do not tighten the screws(4) up

**7** Connect **J<sub>5</sub>** to **F<sub>5</sub>** & **L<sub>5</sub>** to **J<sub>5</sub>**

	4x2		5x4
	9x6		

**8** Connect **L<sub>4</sub>** to **J<sub>5</sub>** & **D<sub>5</sub>** to **E<sub>4</sub>** **L<sub>5</sub>**

	2x4		3x1
	4x6		8x4
	9x4		

**9** Assemble bed slats

Note: If the bed slats can not be inserted easily, loosen the screws (step 6)

**10** Check and tighten all screws

**CAUTIONS!**