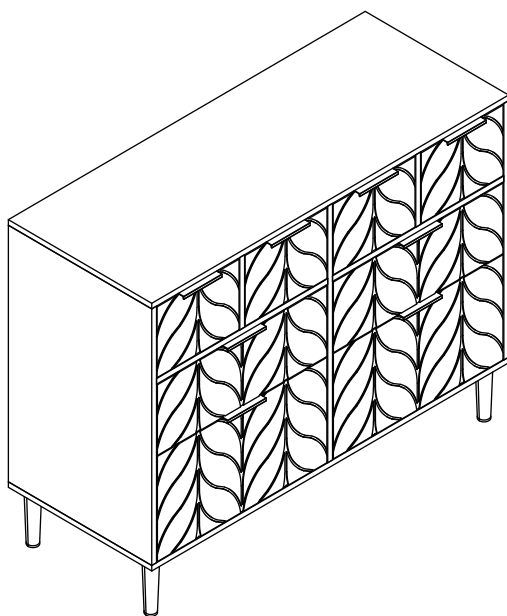


Instruction manual

Gloria 4/4 Chest

www.laura-james.co.uk



CONTENTS

Safety and care advice	1
Components	2
Assembly instructions	5
Copyright	16

⚠ SAFETY AND CARE ADVICE ⚠

PLEASE READ THESE INSTRUCTIONS CAREFULLY AND KEEP FOR FUTURE REFERENCE

- **Warning:** This unit weighs approximately 63kgs. Please lift with care.
- Check you have all the components and tools listed on pages 2 and 3.
- Remove all fittings from the plastic bags and separate them into their groups.
- Keep children and animals away from the work area, small parts could choke if swallowed.
- Make sure you have enough space to lay out the parts before starting.
- Do not stand or put weight on the product, this could cause damage.
- Assemble the item as close to its final position (in the same room) as possible.
- Assemble on a soft level surface to avoid damaging the unit or your floor (use opened out unit carton).



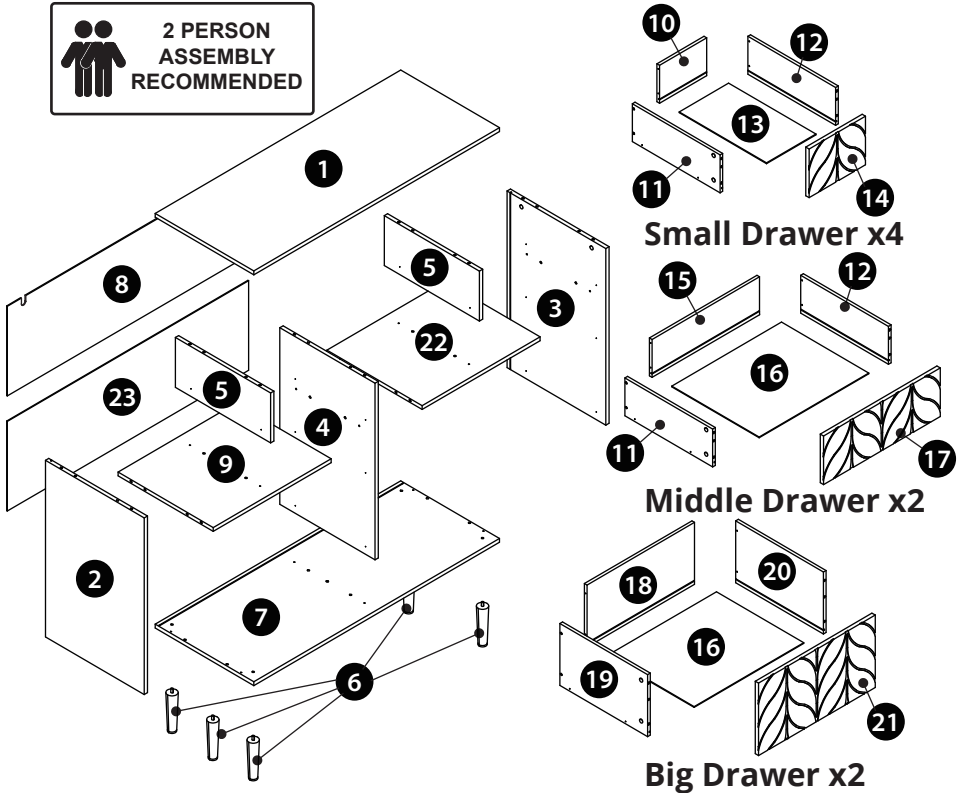
- We do not recommend the use of power drill/drivers **for inserting screws**, as this could damage the unit. Only use hand screwdrivers.
- **Safety note:** If there is any chance of this unit being pulled over by children etc. it is recommended that the unit is secured to a wall using suitable fixings.
- Dispose of all packaging carefully and responsibly.

CARE AND MAINTENANCE

- Only clean using a damp cloth and mild detergent, do not use bleach or abrasive cleaners.
 - From time to time check that there are no loose screws on this unit.
 - This product should not be discarded with household waste. Take to your local authority waste disposal center.
- Note** *If required the next page can be cut out and used as reference throughout the assembly. Keep this page with these instructions for future reference.*

COMPONENTS

Please check you have all the panels listed below:



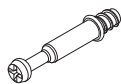
1	Top Panel	x1	12	Drawer right side panel	x6
2	Left Side Panel	x1	13	Drawer bottom panel	x4
3	Right Side Panel	x1	14	Drawer face panel	x4
4	Vertical Panel	x1	15	Drawer back panel	x2
5	Vertical panel	x2	16	Drawer bottom panel	x4
6	Leg	x5	17	Drawer face panel	x2
7	Bottom panel	x1	18	Drawer back panel	x2
8	Back panel	x1	19	Drawer left side panel	x2
9	Horizontal Panel	x1	20	Drawer right side panel	x2
10	Drawer back panel	x4	21	Drawer face panel	x2
11	Drawer left side panel	x6	22	Horizontal Panel	x1
			23	Back panel	x1



COMPONENTS

Please check you have all the fittings listed below:

A



Metal Dowel x 50

B



Lock (Ø15x12mm) x 18

C



Lock (Ø15x9.5mm) x 32

D



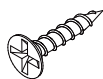
Wooden Dowel(Ø8x30mm) x 44

E



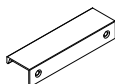
Screw(Ø4x35mm) x 42

F



Screw(Ø3.5x12mm) x 64

G



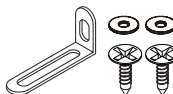
Handle x 8

H



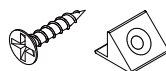
Screw(Ø3x12mm) x 16

I



Wall fixing x 2

J



Back Support x 10

O



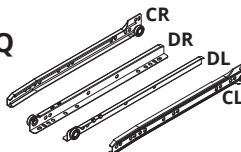
Wall plug x 2

P



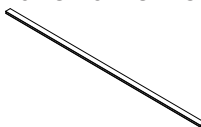
Screw(Ø3x14mm) x 4

Q



Drawer runner x 8

R



Back panel bone x 1

TOOLS NEEDED

(We don't provide)



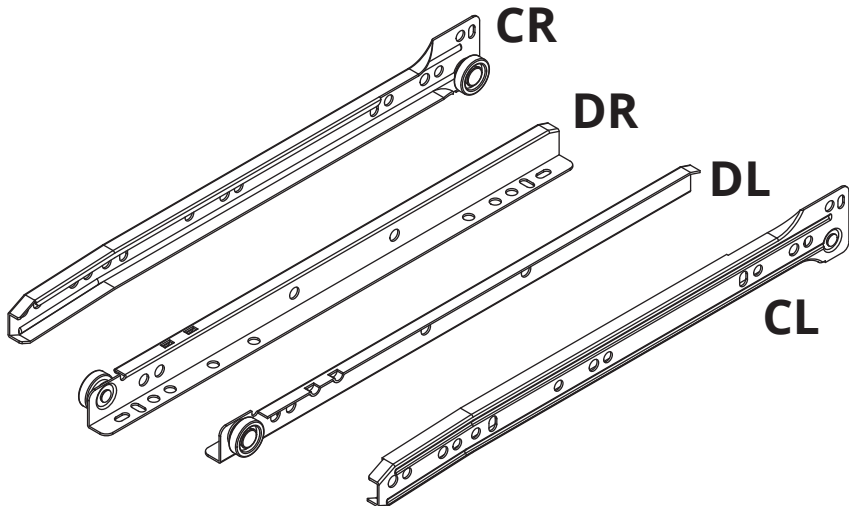
Phillips Screwdriver x 1



DRAWER RUNNER INSTRUCTION

⚠ IMPORTANT - Please read carefully - 1 Pair of drawer runners includes 4 pieces.

Part **Q** includes **CR\DR\DL\CL**.

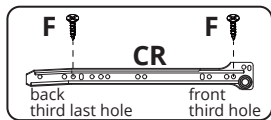


Fittings (not to scale)

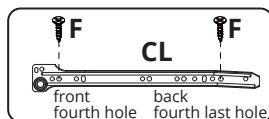
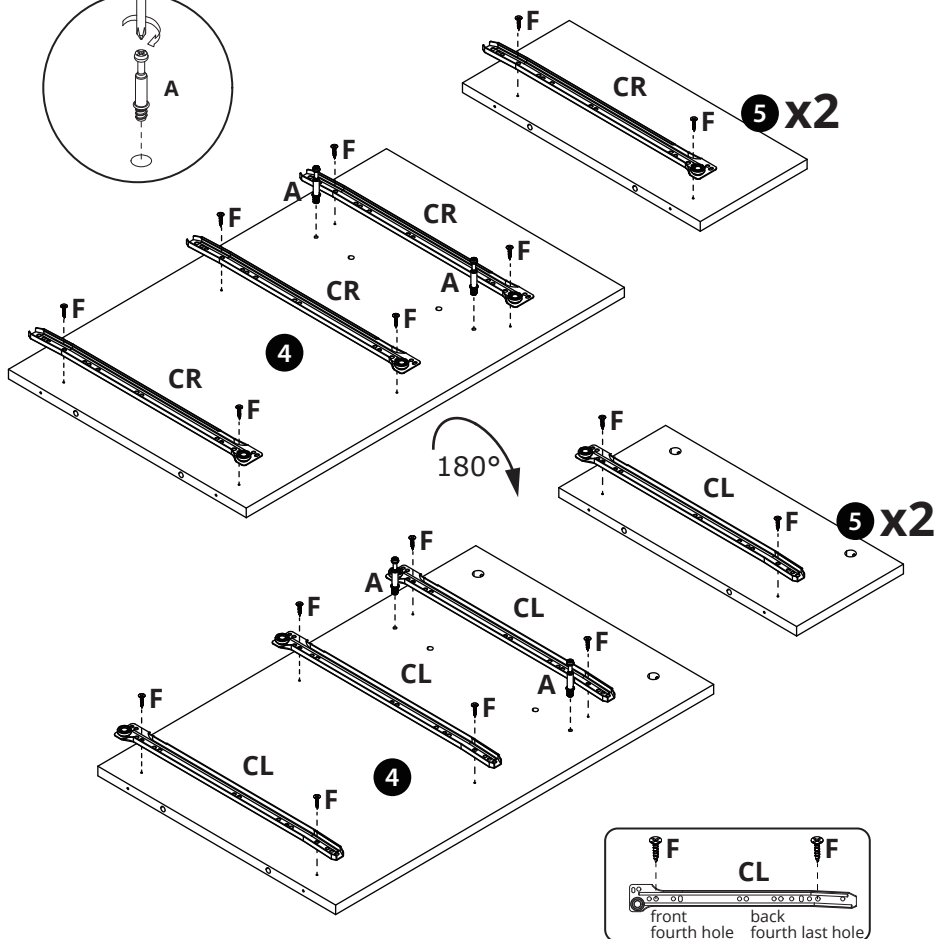
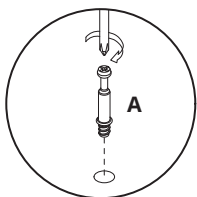
No.	Description	Qty	
CR	Outer Drawer Runner - Right	8	
CL	Outer Drawer Runner - Left	8	
DR	Inner Drawer Runner - Right	8	
DL	Inner Drawer Runner - Left	8	

ASSEMBLY INSTRUCTIONS

Step 1

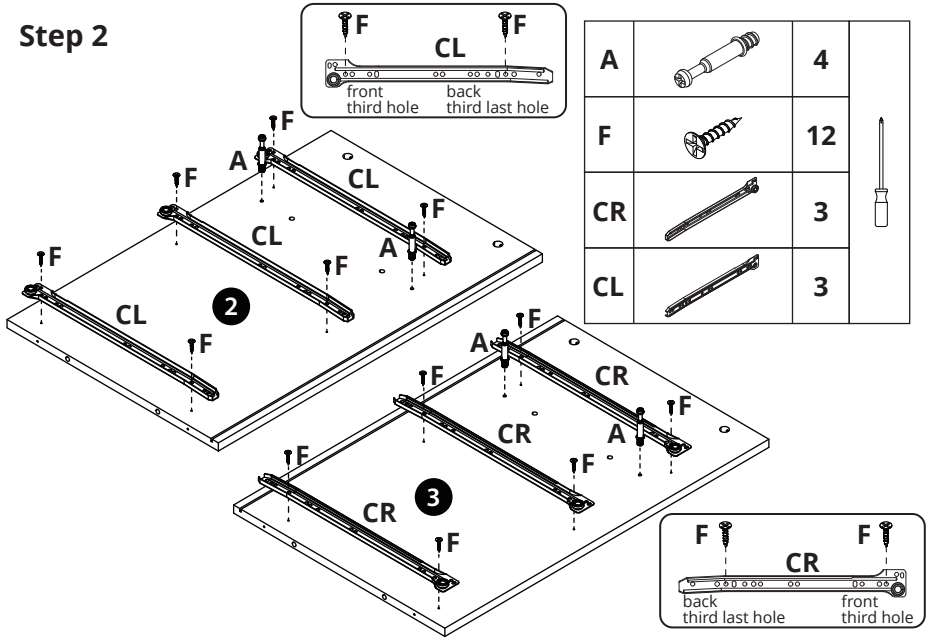


A		4	
F		20	
CR		5	
CL		5	

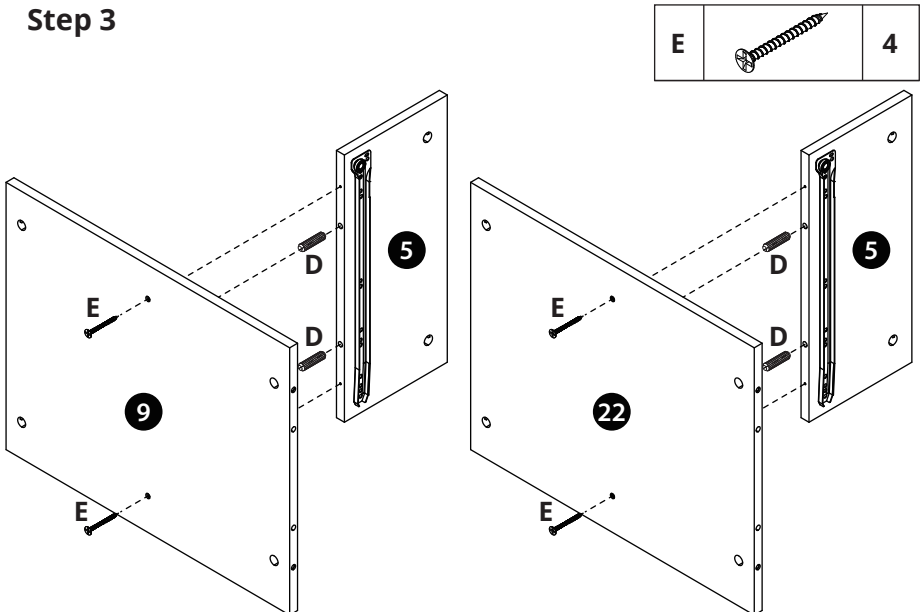


ASSEMBLY INSTRUCTIONS

Step 2

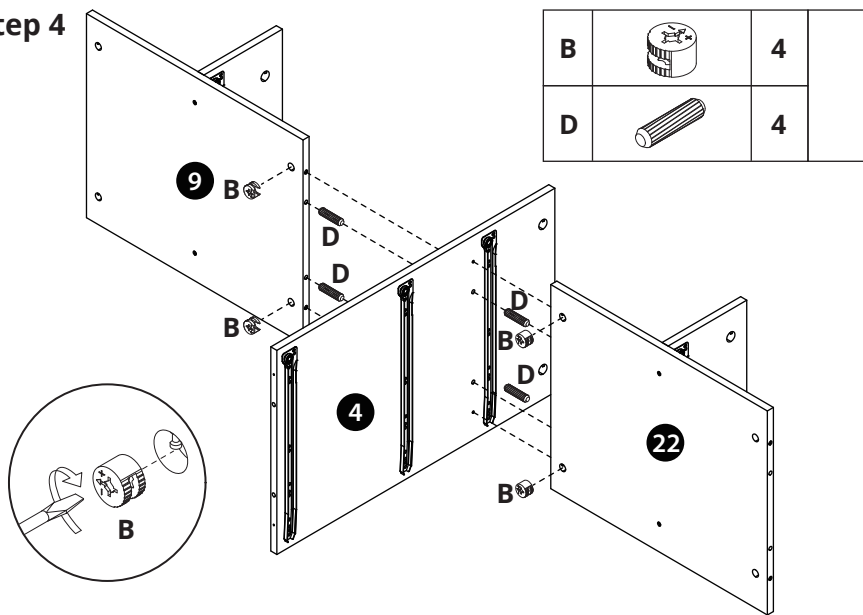


Step 3

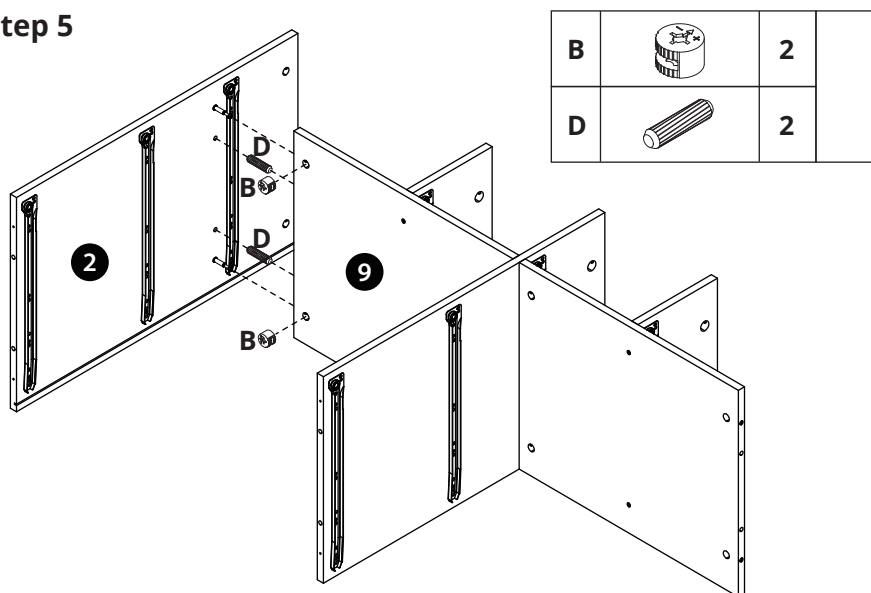


ASSEMBLY INSTRUCTIONS

Step 4

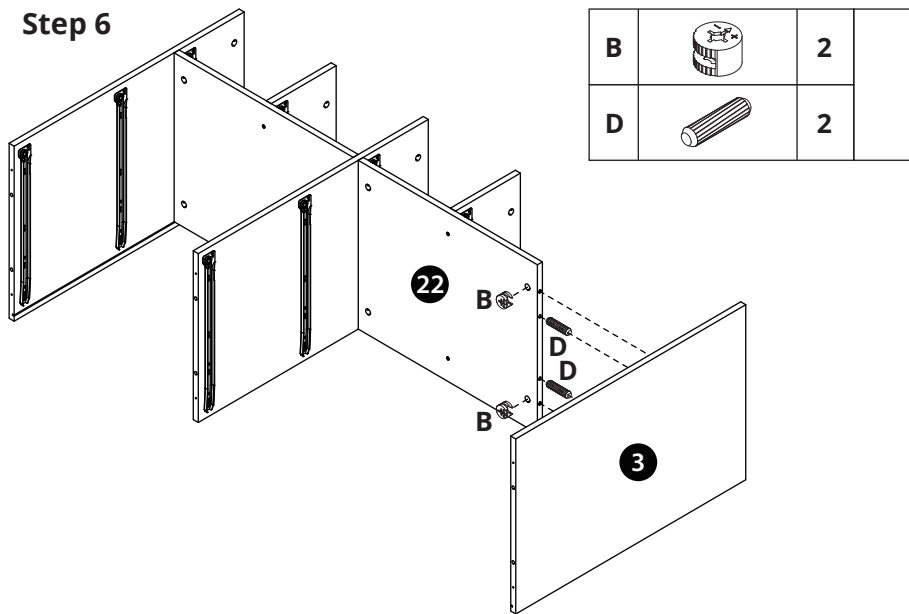


Step 5

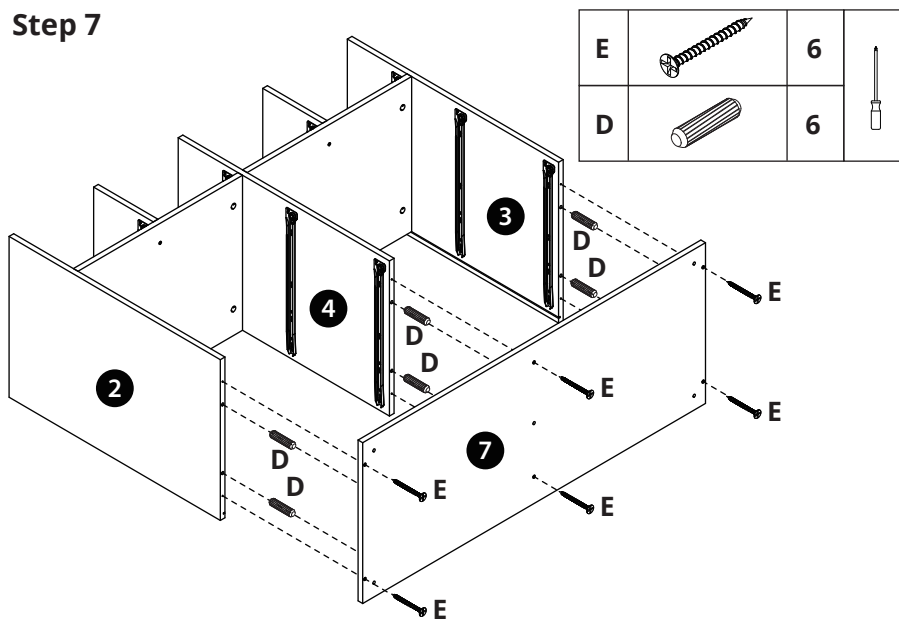


ASSEMBLY INSTRUCTIONS

Step 6

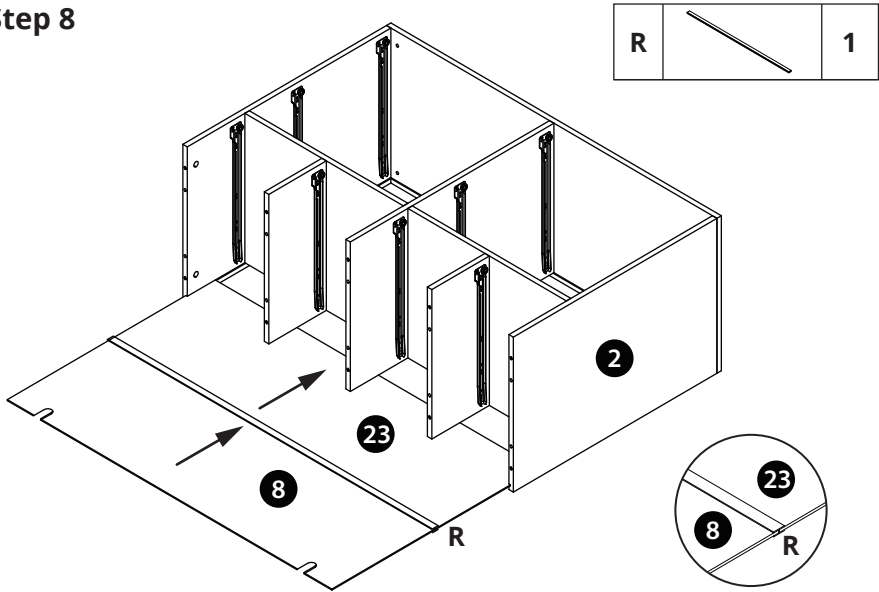


Step 7

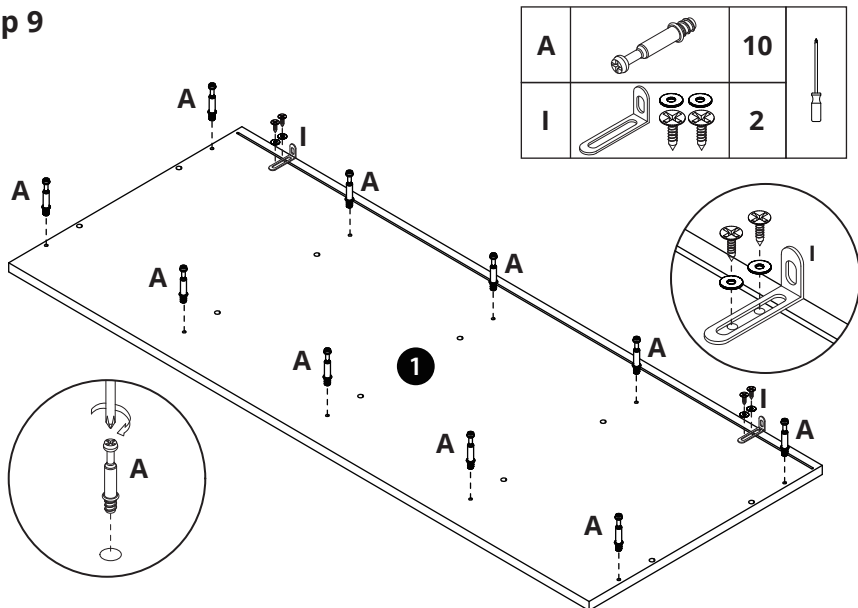


ASSEMBLY INSTRUCTIONS

Step 8

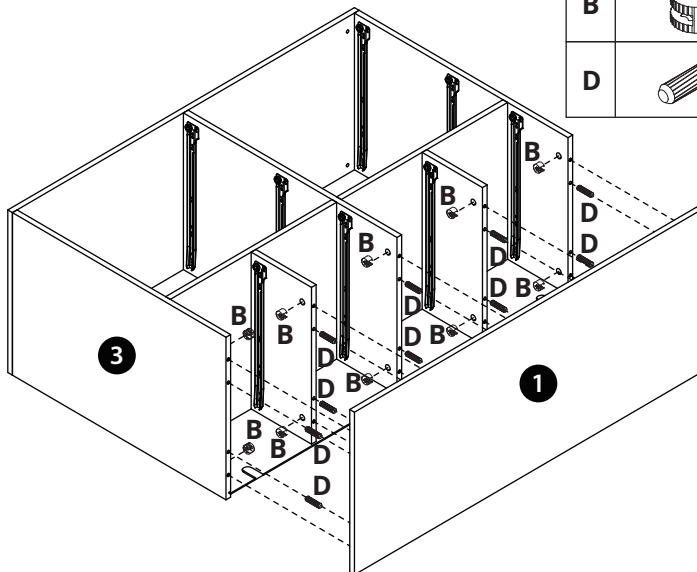




Step 9



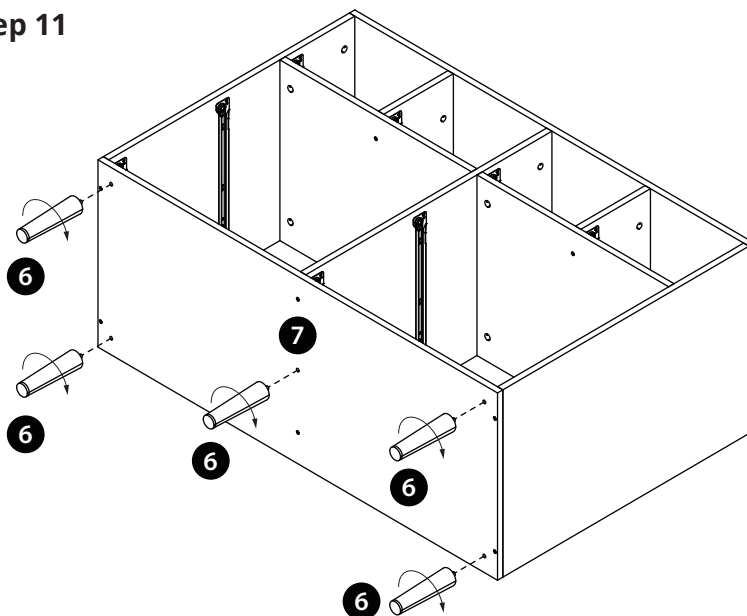
ASSEMBLY INSTRUCTIONS

Step 10



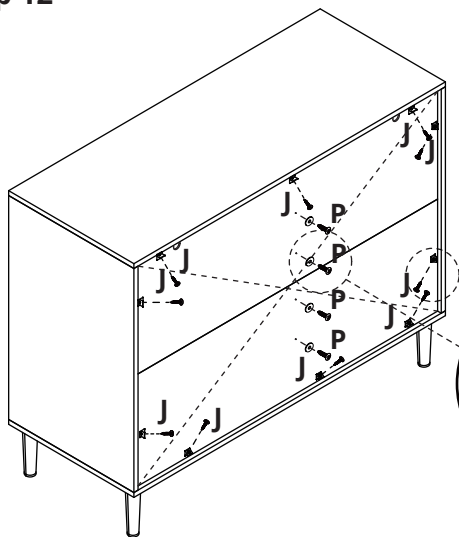
B		10
D		10

Step 11

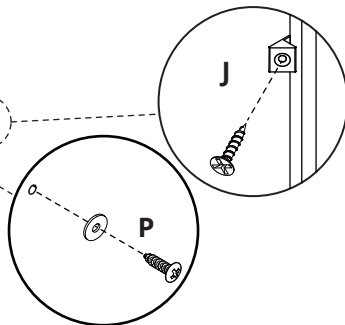


ASSEMBLY INSTRUCTIONS

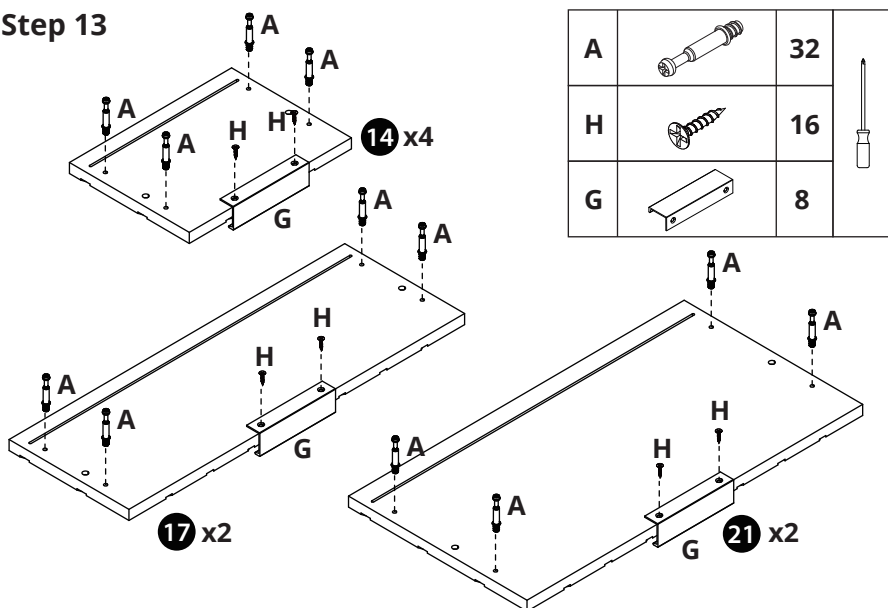
Step 12



J		10	
P		4	



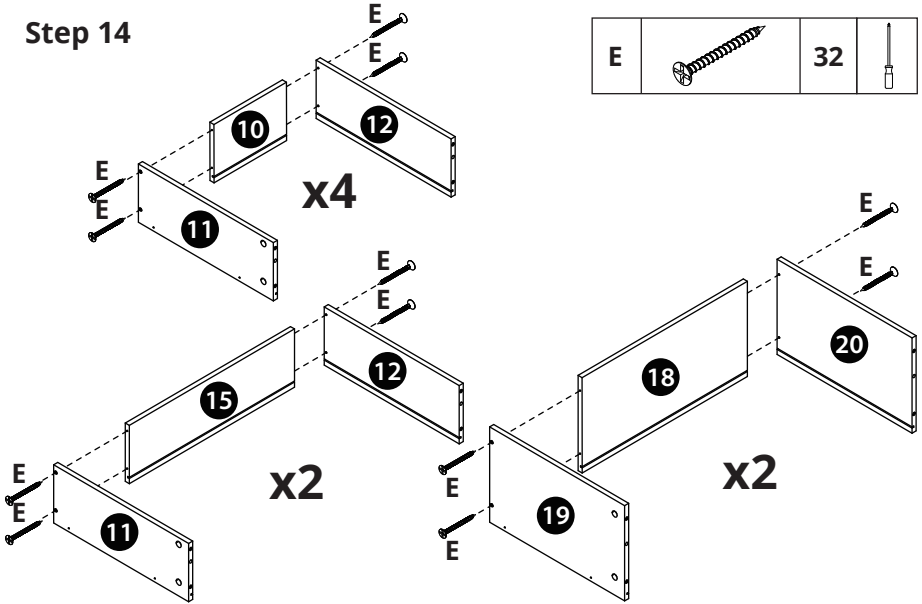
Step 13



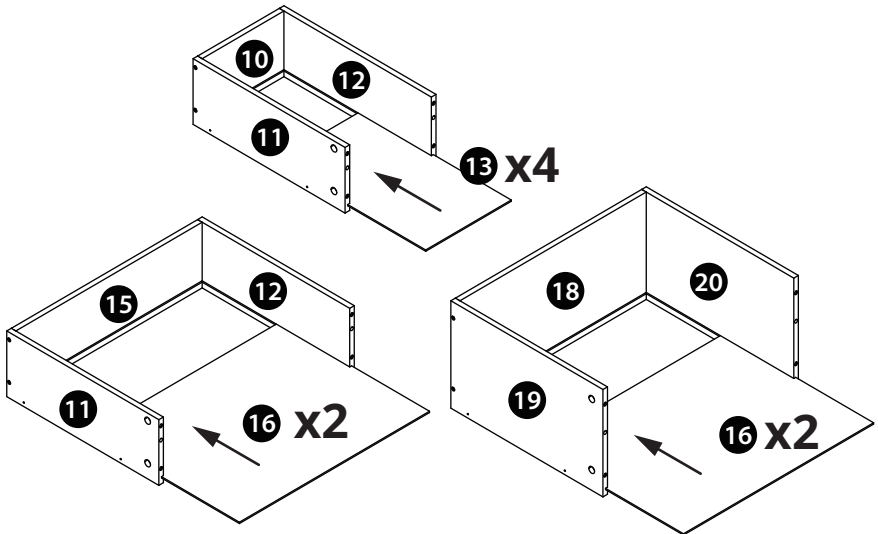
A		32	
H		16	
G		8	

ASSEMBLY INSTRUCTIONS

Step 14

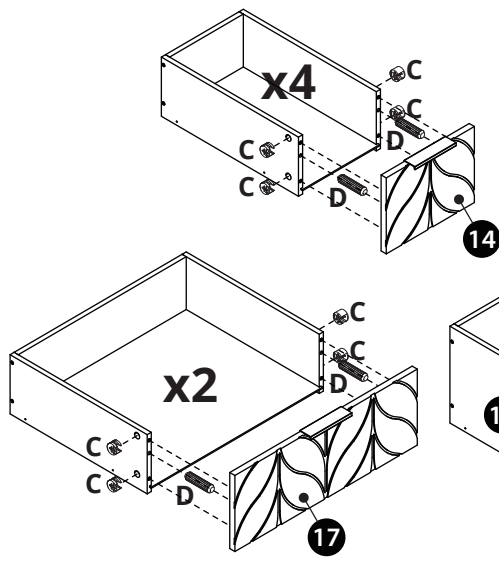




Step 15



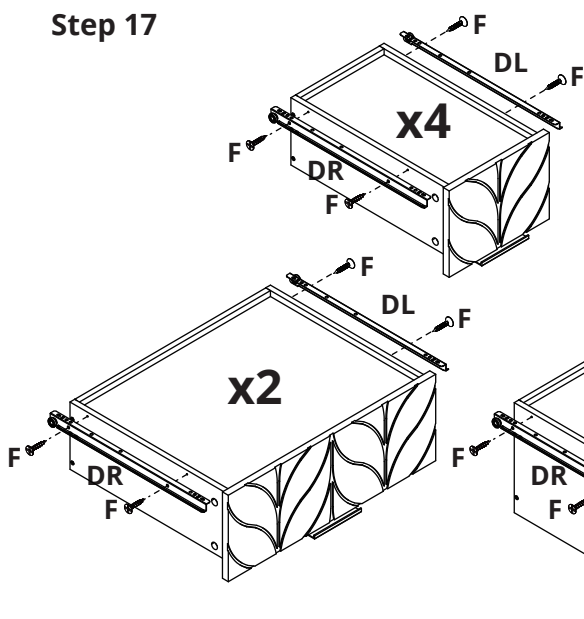
ASSEMBLY INSTRUCTIONS





Step 16



C		32	
D		16	

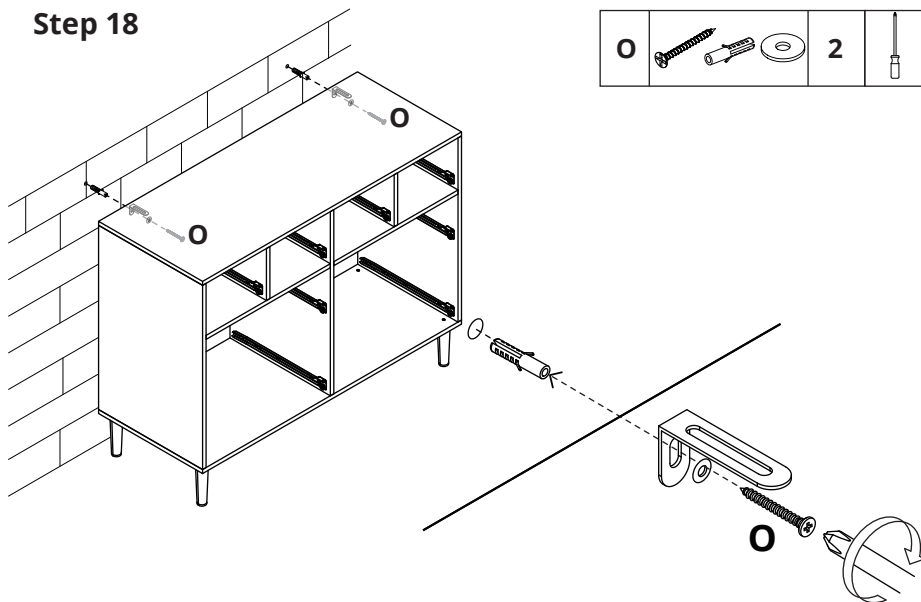
Step 17



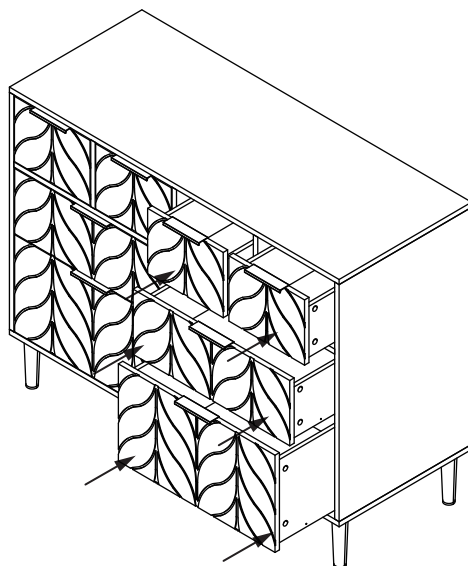
F		32	
DR		8	
DL		8	

ASSEMBLY INSTRUCTIONS

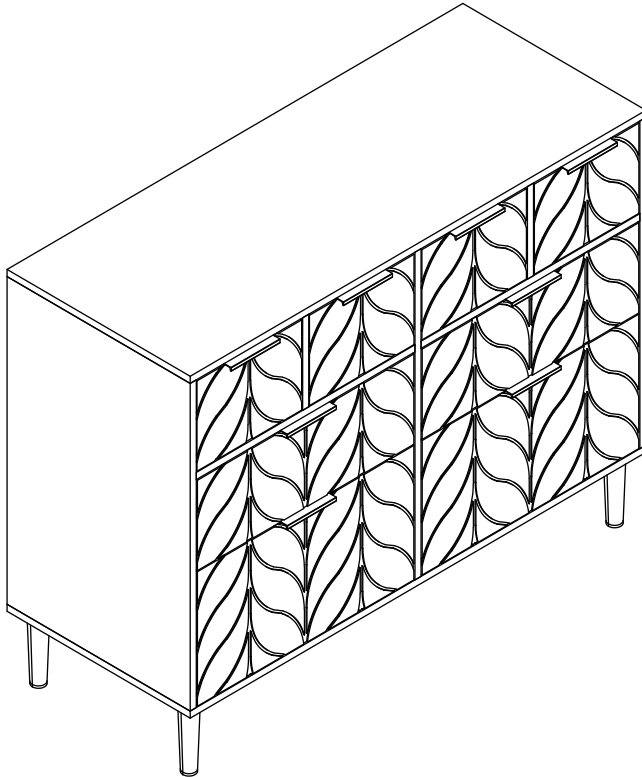
Step 18



Step 19



ASSEMBLY INSTRUCTIONS



Congratulations! Now you have finished assembling the product.

IF YOU FIND A DEFECTIVE PART

We fully stock all parts and components. Any defective part can be quickly replaced. Take note of the defective part number in manual and we will arrange a quick replacement.

You can email our team at customercare@laura-james.co.uk

COPYRIGHT

All material in this instruction manual is copyrighted by AGTC Ltd.

Any unauthorised use may violate worldwide copyright, trademark and other laws.

Thank you for purchasing!

Laura James® is a registered trademark of AGTC Ltd.
Made in China for AGTC LTD S35 9ZX

Laura James

www.laura-james.co.uk