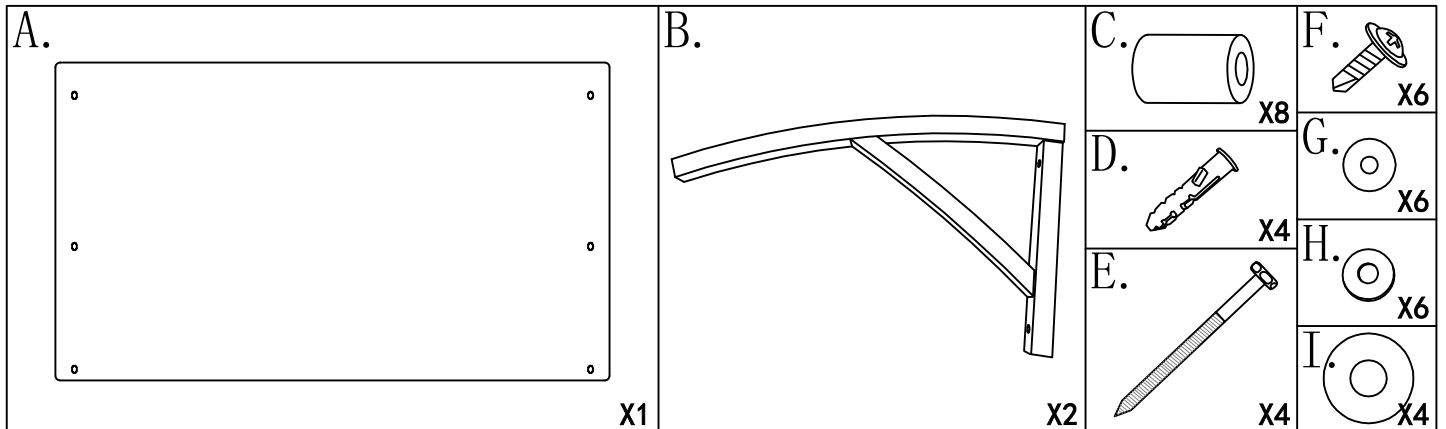
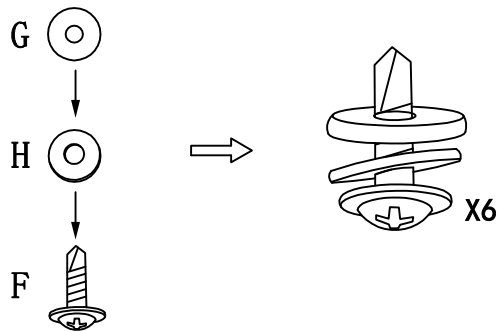


Installation Manual

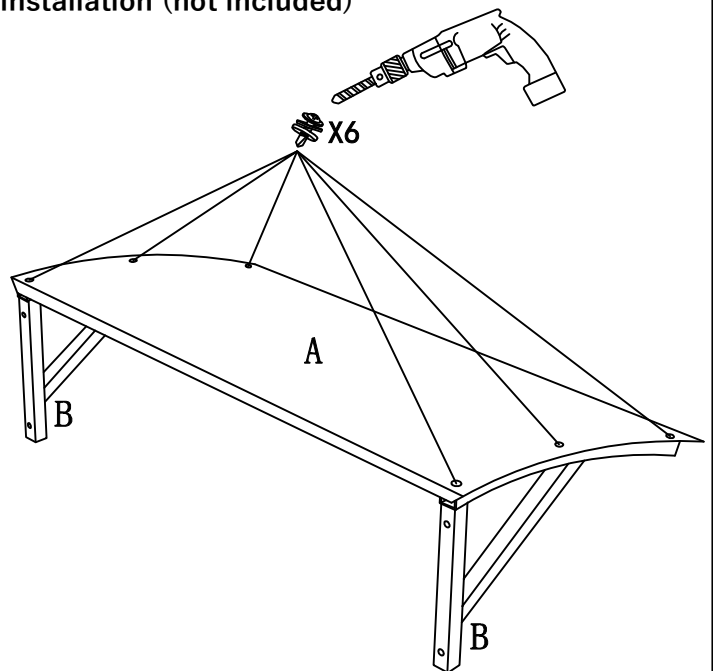


Step 1: Installation of small screws and small iron washers

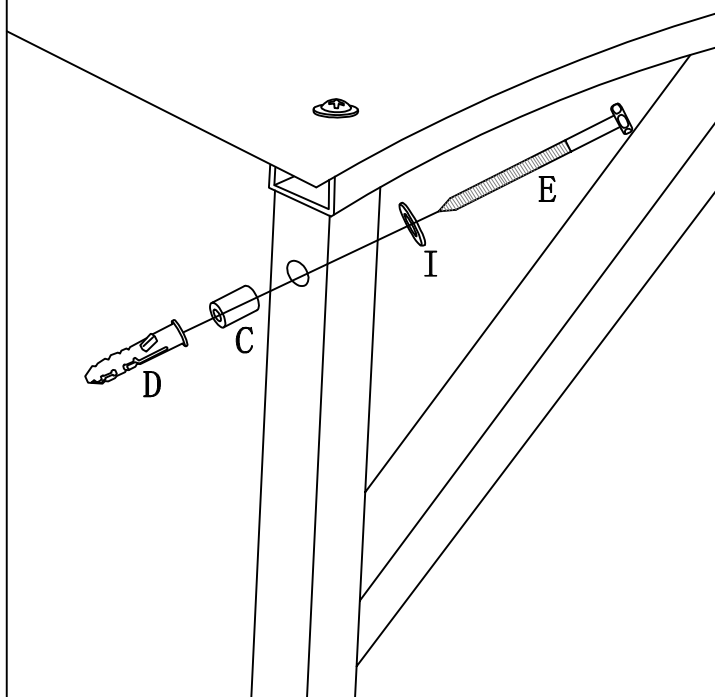


Step 2: Connect the triangular frame to the rain shelter with screws

Attention: An electric drill tool is required for installation (not included)



Step 3: Install the mini split air conditioner cover on the wall



Step 4: Installation completed

(Note: Installation methods vary, but a solid installation is sufficient, and extra parts are available for your use)

