

IMPORTANT

PLEASE READ BEFORE YOU CONTINUE FURTHER

PLEASE KEEP THE ORIGINAL PACKAGING UNTIL THE ITEM IS FULLY ASSEMBLED AND IN PLACE . IN THE UNLIKELY EVENT THAT YOU NEED TO RETURN YOUR PRODUCT, IT MUST BE RETURNED IN ITS ORIGINAL PACKAGING TO AVOID FURTHER DAMAGE .

THE PRODUCT YOU HAVE PURCHASED WILL GIVE YOU MANY YEARS OF SERVICE IF YOU FOLLOW THE GUIDELINES FOR ITS SAFE ASSEMBLY AND PERIODIC MAINTENANCE AND CLEANING.

ASSEMBLE ON A SOFT CLEAN SURFACE.

DO NOT USE ANY TOOLS OTHER THAN THOSE SHOWN.

ANY SPANNERS OR ALLEN KEYS REQUIRED ARE INCLUDED WITH THE FITTINGS KIT. DO NOT FOR ANY REASON USE A POWER TOOL TO ASSEMBLE THIS PRODUCT. ITS USE WILL INVALIDATE ANY CLAIM YOU MAY HAVE AND COULD MAKE THIS PRODUCT UNSAFE.

DEPENDING ON THE AMOUNT OF USE THIS PRODUCT RECEIVES IT MAY BE NECESSARY TO TIGHTEN UP THE FIXINGS FROM TIME TO TIME .THIS IS COMPLETELY NORMAL FOR ANY FLAT PACK FURNITURE.
DO NOT OVERTIGHTEN FIXINGS.

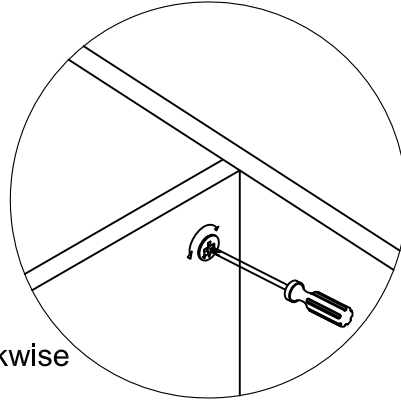
FOR CLEANING, YOU MAY USE A DAMP CLOTH (NOT WET). THE SURFACE OF THIS ITEM IS NOT HEAT RESISTANT. ALWAYS USE A PLACE MAT UNDER HOT OR COLD ITEMS TO PREVENT MARKING.

PLEASE DO NOT THROW AWAY ANY PACKAGING UNIT ALL COMPONENTS HAVE BEEN CHECKED. IF COMPONENTS ARE MISSING PLEASE CONTACT SUPPLIER IMMEDIATELY.

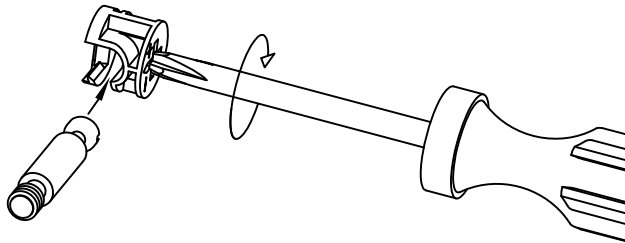


(Screwdriver not provided)

Use a flat blade screwdriver to tighten the cam nuts. A quarter of a turn clockwise is all that is needed.



This is how a cam nut works.....

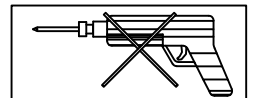


The head of the bolt goes into the wide mouth of the cam nut. You then turn the nut so the narrow part closes over the bolt.

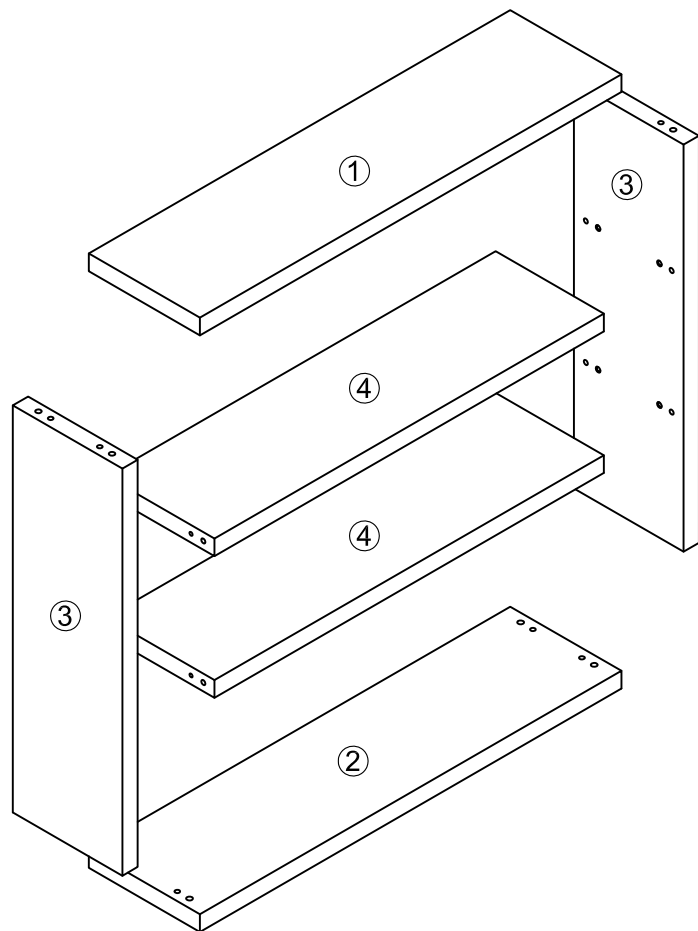
TWO PERSONS REQUIRED TO ASSEMBLE THIS PRODUCT

1. Please check that you have all the parts listed before you start assembling. If you do find that something is missing, do not continue assembly. Please contact your supplier immediately.
2. Lay out all of the components on a soft surface as if you were preparing to do a jigsaw puzzle.
3. Separate and identify each component, from the hardware pack and rest each one in its proper location before fastening.

THE USE OF POWER TOOLS TO ASSEMBLE THIS PRODUCT WILL INVALIDATE ANY CLAIM AND ANY DAMAGE THIS PRODUCT MAKING IT UNSAFE

















PARTS LIST

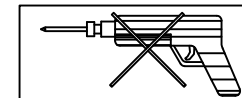


1	TOP PANEL	1 PC
2	BOTTOM PANEL	2 PCS
3	SIDE PANEL	1 PC
4	SHELF PANEL	2 PCS

HARDWARE LIST

A		Ø10x40MM DOWEL	16 PCS
B		Ø15 CAM LOCK	8 PCS
C		Ø6.2x35 CAM BOLT	8 PCS
D		Ø16.5 CAM LOCK	8 PCS
E		5MM ALLEN KEY	1 PC
F		M8x20 NUT	4 PCS
G		M8x970MM SCREW	4 PCS
H		M10 SPRING WASHER	4 PCS
I		M10x19 FLAT WASHER	4 PCS
J		Ø3.5x19 SCREW	2 PCS
K		Ø3.5x38 SCREW	2 PCS
L		L=150 WALL STRAP	2 PCS
M		M6x13 FLAT WASHER	4 PCS
N		WALL FITTING SCREW	2 PCS

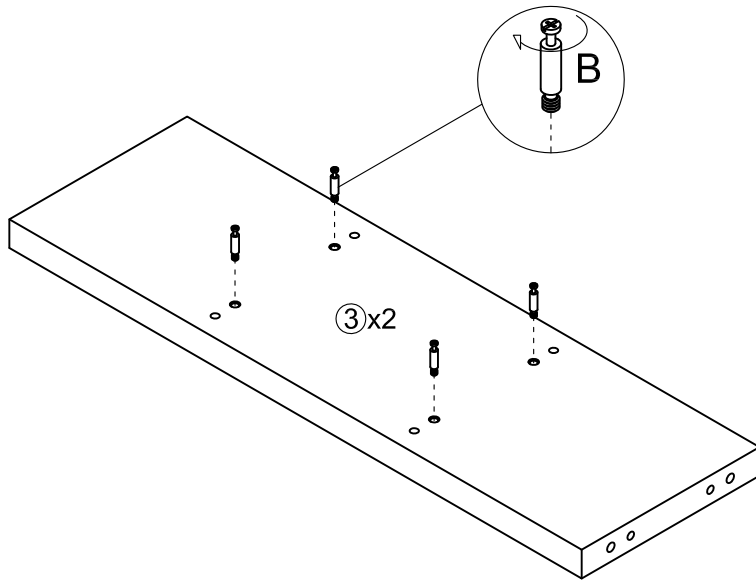
THE USE OF POWER TOOLS TO ASSEMBLE THIS PRODUCT WILL INVALIDATE ANY CLAIM AND ANY DAMAGE THIS PRODUCT MAKING IT UNSAFE



STEP 1





You will need:

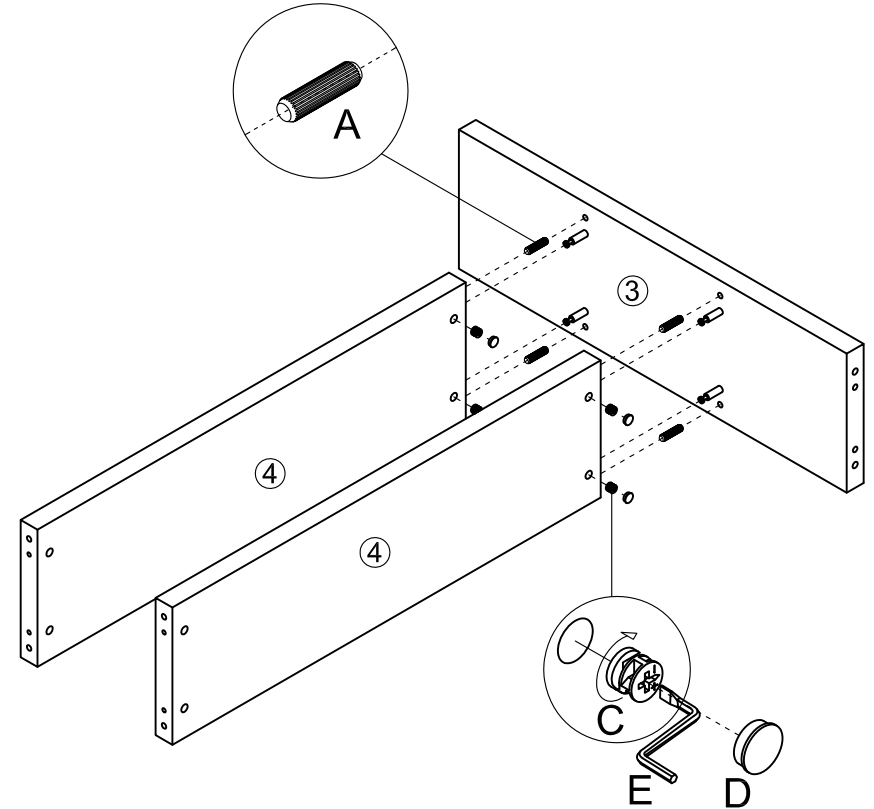
B		8 PCS
---	---	-------



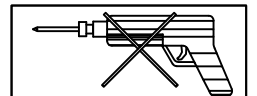
STEP 2

You will need:

A		4 PCS
C		4 PCS
D		4 PCS
E		1 PC



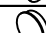



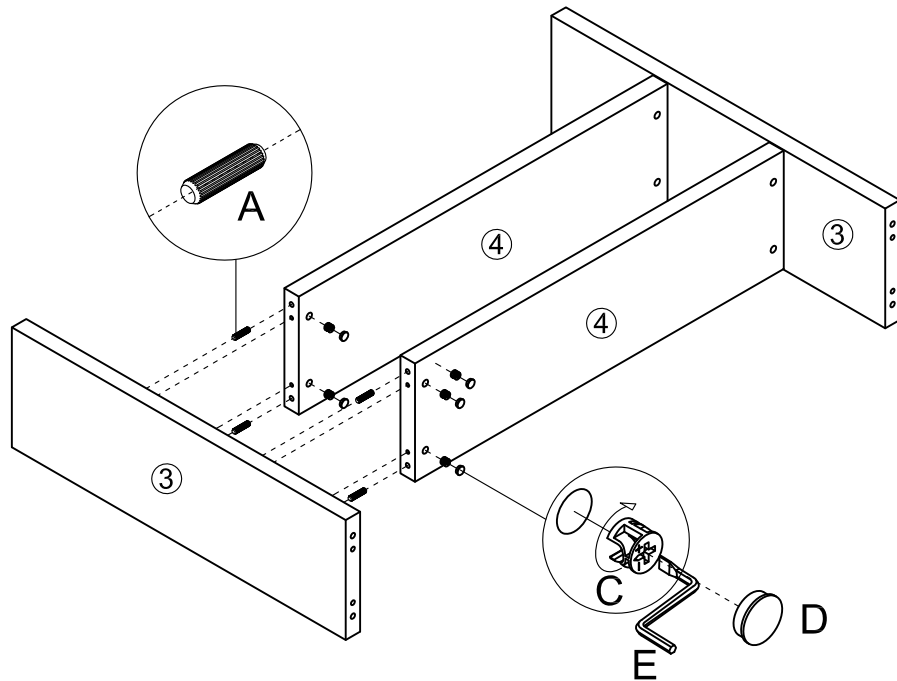
THE USE OF POWER TOOLS TO ASSEMBLE THIS PRODUCT WILL INVALIDATE ANY CLAIM AND ANY DAMAGE THIS PRODUCT MAKING IT UNSAFE



STEP 3

You will need:

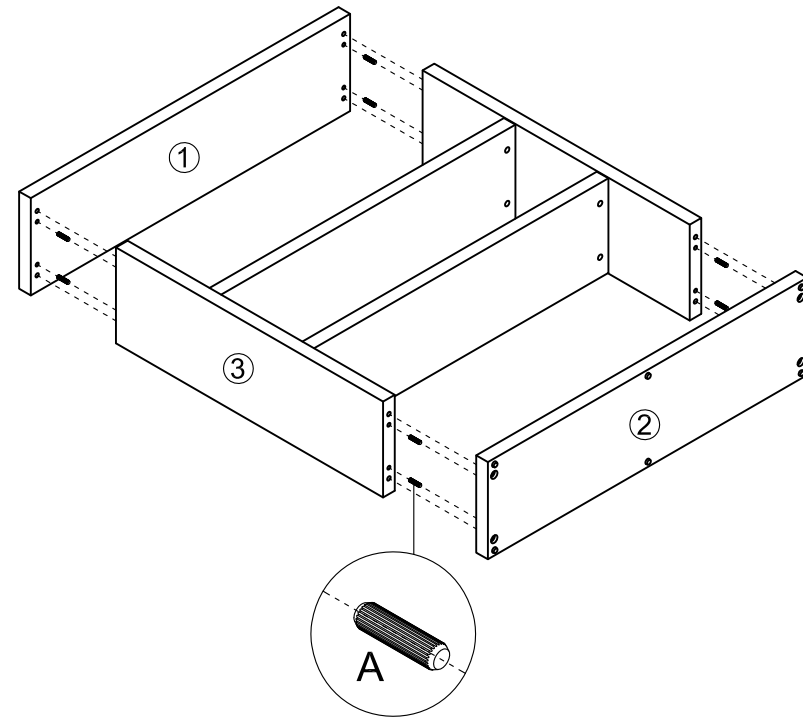
A		4 PCS
C		4 PCS
D		4 PCS
E		1 PC



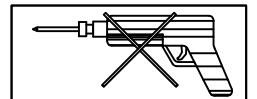
STEP 4

You will need:

A		8 PCS
---	---	-------








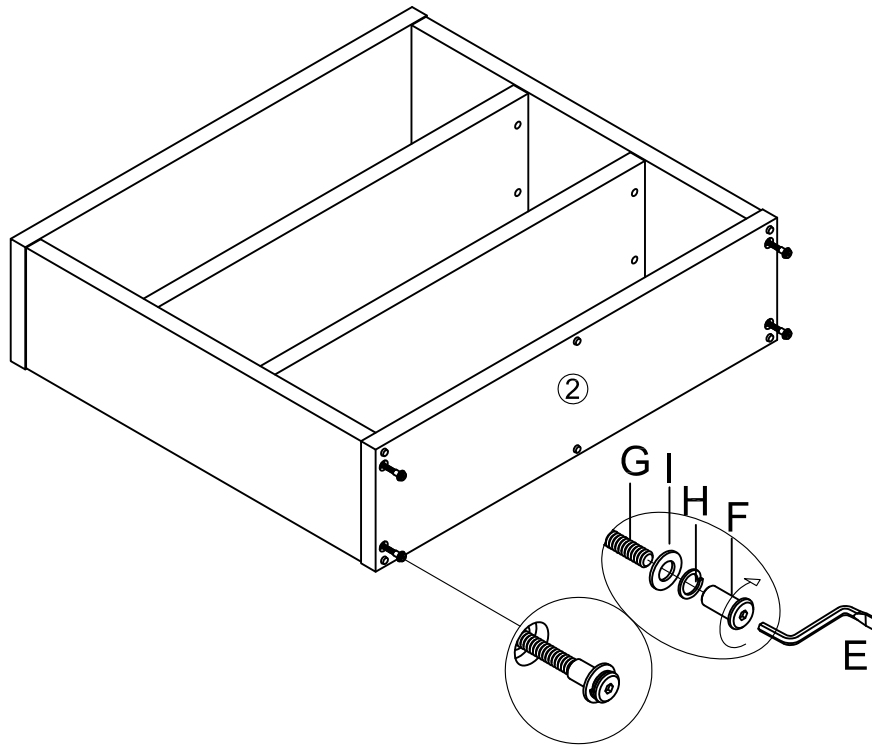
THE USE OF POWER TOOLS TO ASSEMBLE THIS PRODUCT WILL INVALIDATE ANY CLAIM AND ANY DAMAGE THIS PRODUCT MAKING IT UNSAFE



STEP 5




You will need:

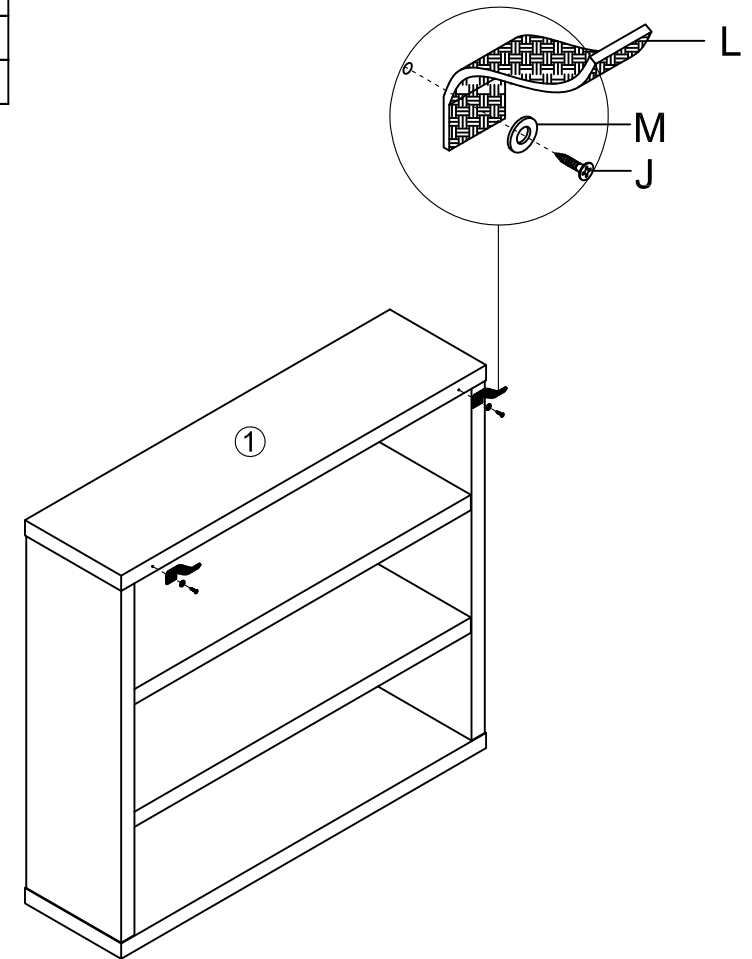
E		1 PC
F		4 PCS
G		4 PCS
H		4 PCS
I		4 PCS



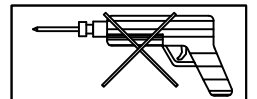
STEP 6

You will need:

J		2 PCS
L		2 PCS
M		2 PCS






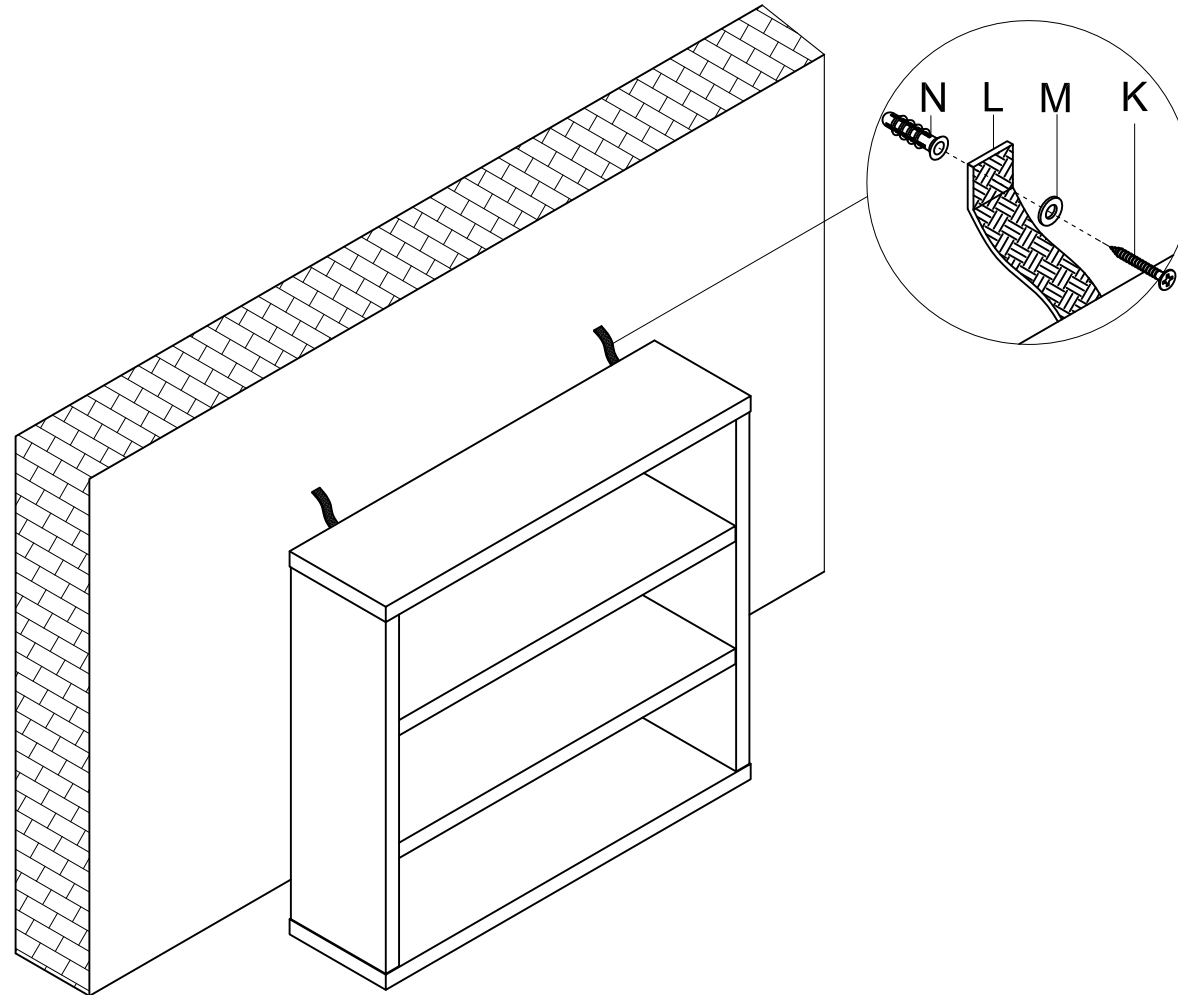
THE USE OF POWER TOOLS TO ASSEMBLE THIS PRODUCT WILL INVALIDATE ANY CLAIM AND ANY DAMAGE THIS PRODUCT MAKING IT UNSAFE



STEP 7

You will need:

K		2 PCS
M		2 PCS
N		2 PCS



THE USE OF POWER TOOLS TO ASSEMBLE THIS PRODUCT WILL INVALIDATE ANY CLAIM AND ANY DAMAGE THIS PRODUCT MAKING IT UNSAFE

