

ADSG044

TV Stand

V3.1

wlive-cs@devaise.com



IMPORTANT INFORMATION

READ CAREFULLY.

KEEP THIS INFORMATION FOR FURTHER REFERENCE.

GENERAL GUIDELINES

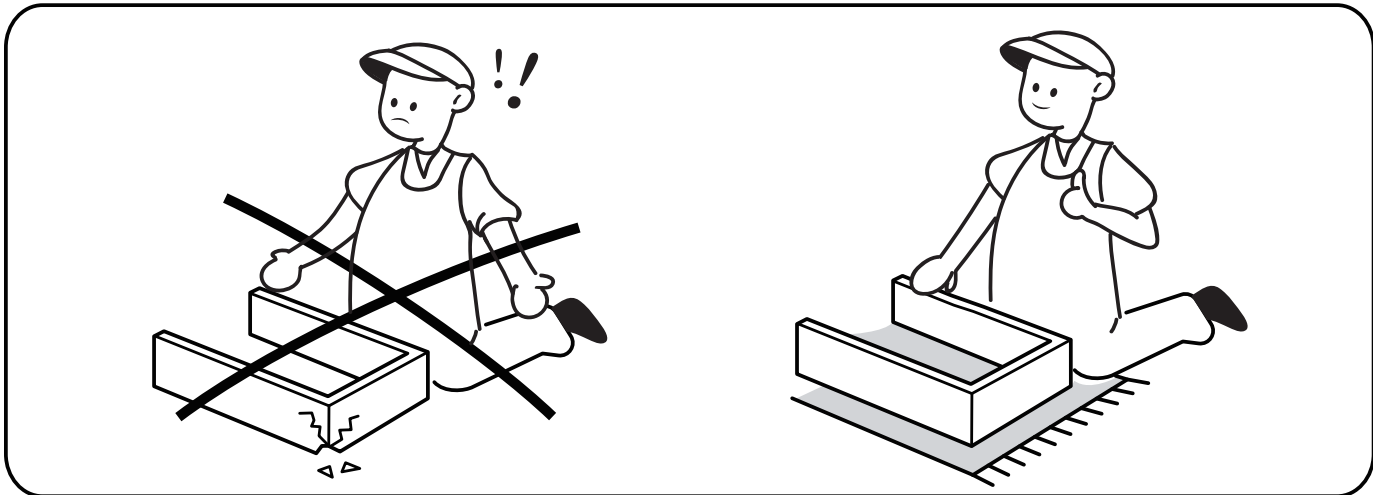
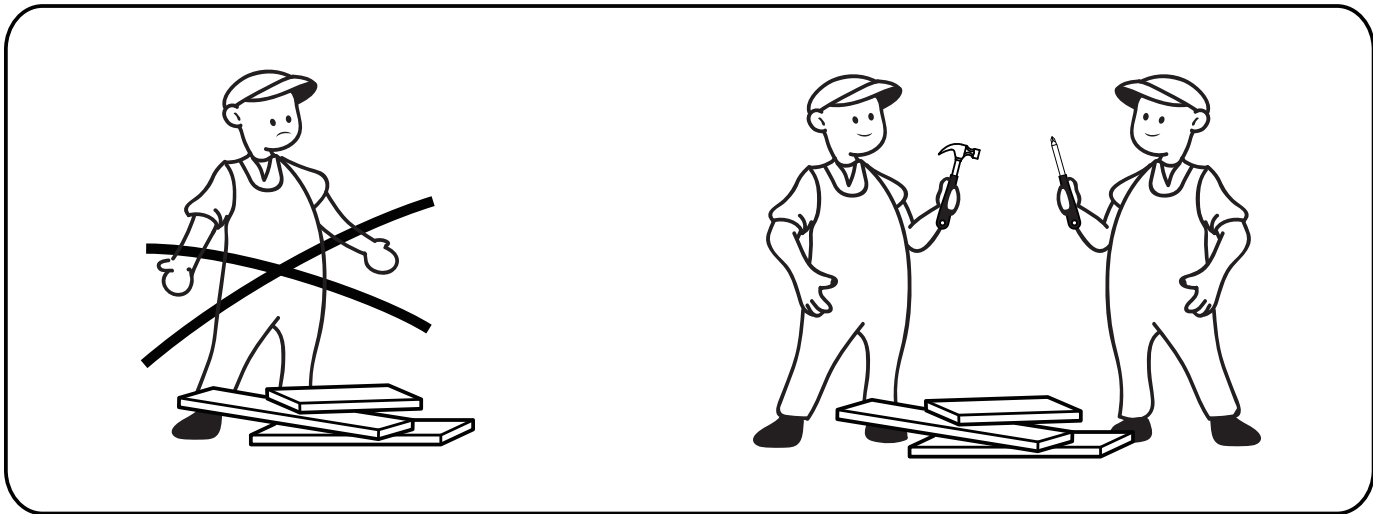
- Please read the following instruction carefully and use the product accordingly.
- Please keep this manual and hand it over when you transfer the product.
- This summary may not include every detail of all variations and considered steps. Please **contact us** when further information and help are needed.

NOTES

- Please follow the assembly instructions precisely and only use the product as intended.
- If an odor is present when first opening the package, please leave the unwrapped product in a shaded and ventilated area for a few days to air out.
- Prior to assembly, please check the product for defects or missing accessories. If any defects are found or accessories are missing, do not use product as damage or injury may occur;
- Please **contact us** for assistance and replacement.
- During assembly, please only slightly tighten all screws in their correct position first, then fully tighten them. A Philips screwdriver is recommended but not included.
- It is suggested you regularly check the products bolts and connections to ensure safe use.
- Assemble the item on a soft flat and clean surface to avoid scratches and damage.
It is recommended that two people assemble this product.

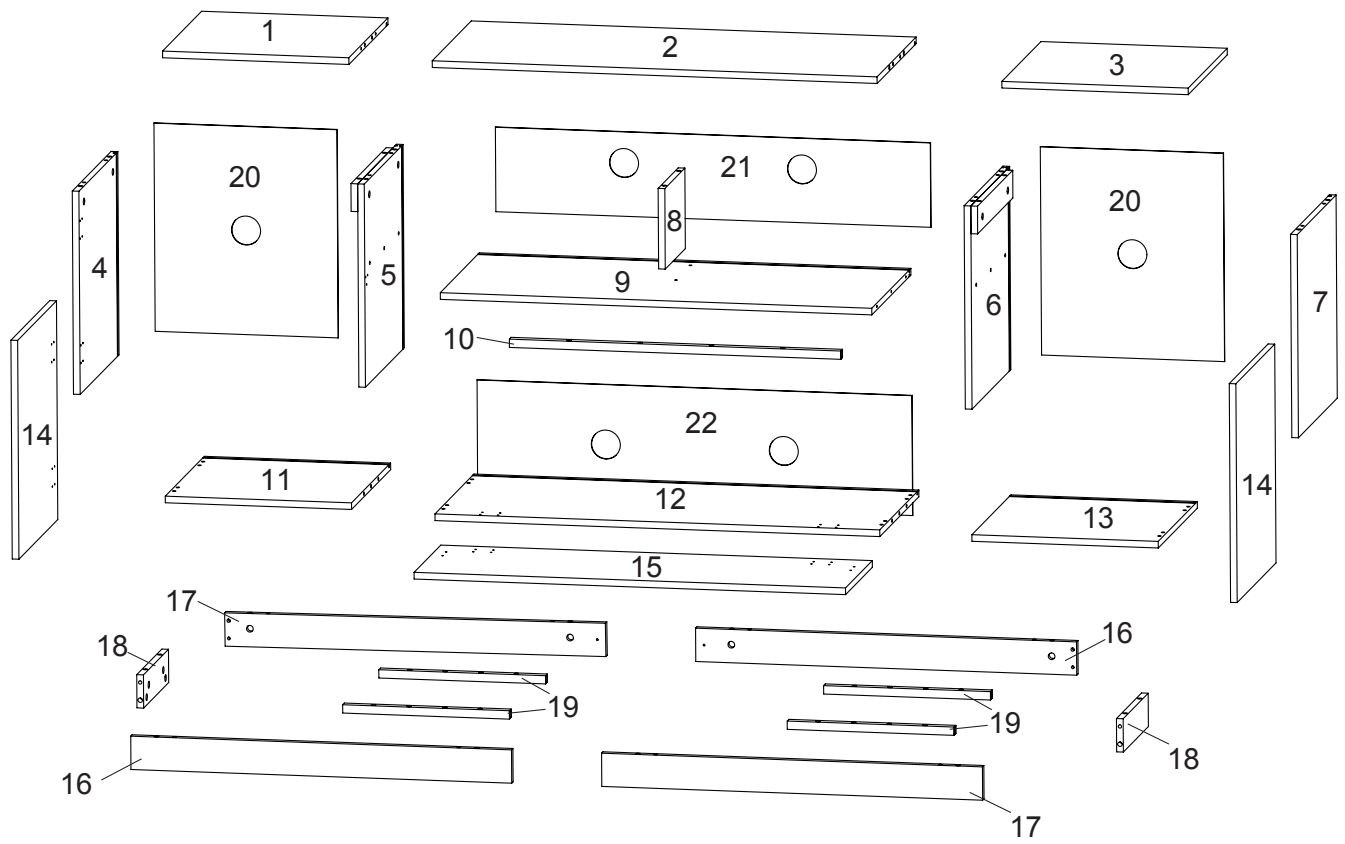
WARNINGS

- During assembly, keep parts and packaging materials away from children and pets as there could cause injury and are a potential choking hazard.
- Avoid sharp objects or corrosive chemicals to prevent damage to the product.
- Please open the item slowly and cautiously to avoid pinching your hands by metal joints, especially children.

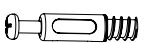
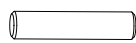




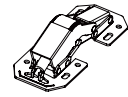



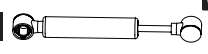


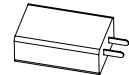
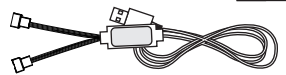


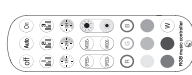

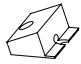


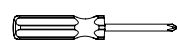



- If you have any further questions, please feel free to contact us by email or official website: **wlive-cs@devaise.com**
We will reply ASAP.
- Before installation, please make sure you have all the hardware, the serial numbers are properly labeled corresponding to the list, and the quantity is correct.
- Enjoy your new purchase!

EXPLODED DRAWING

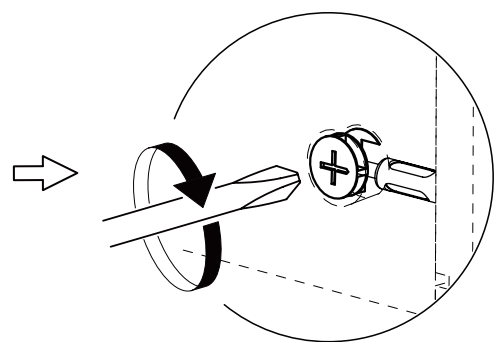
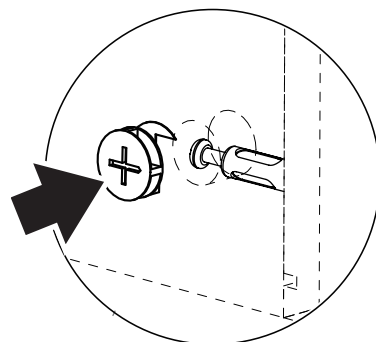
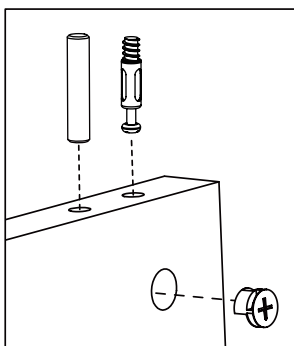


PARTS

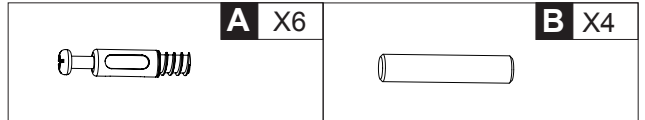
 A X36	 B X38	 C X36	 D X20 M6x23
 E X14 M5x50	 F X62 M4x11	 G X6	 H1 X15  H2
 I X2	 J1 X2  J2  J3	 K X1	 L X1
 M X1	 N X1	 O X1	 P X2
 Q X4	 R X4 M4x14	 S X1	 T X1
 U X12			

REMARK

MINIFIX POSITION



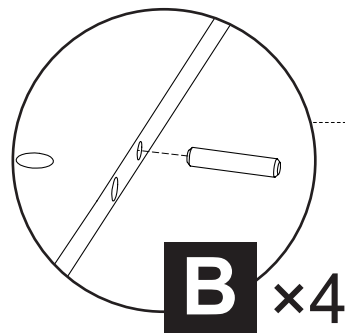
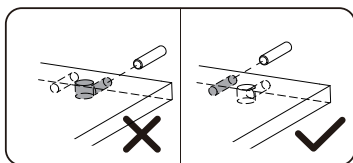
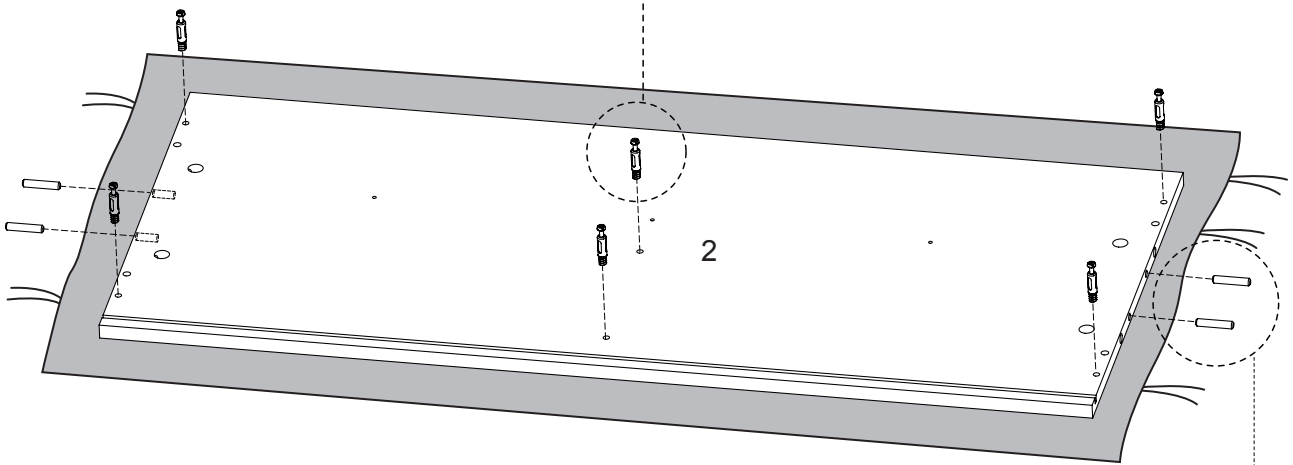
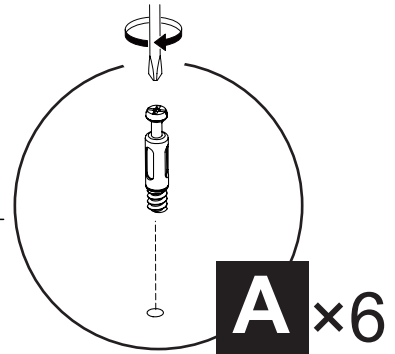
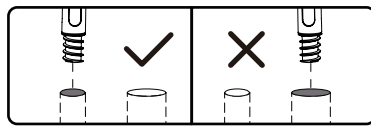
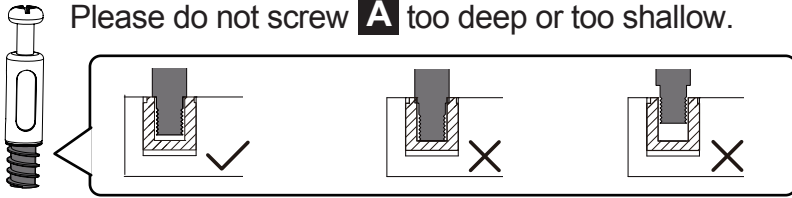
1



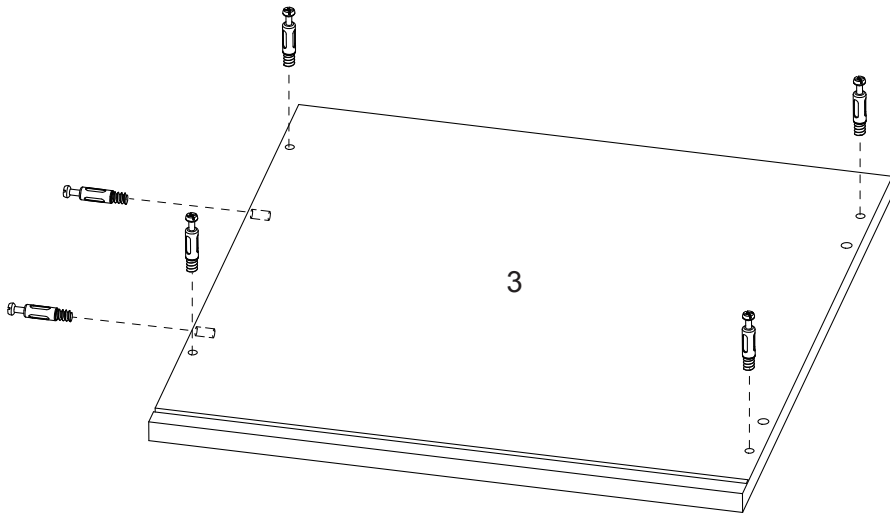
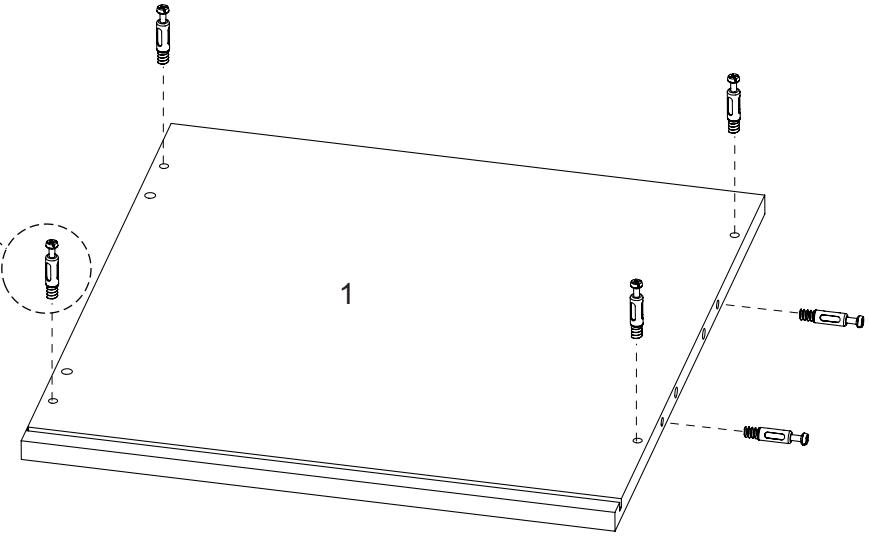
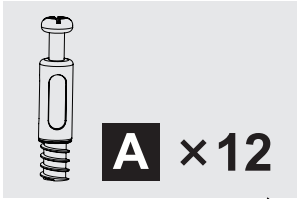
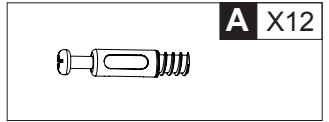
REMARK

1. Put a blanket under the board to avoid scratch or damage.

Please do not screw **A** too deep or too shallow.



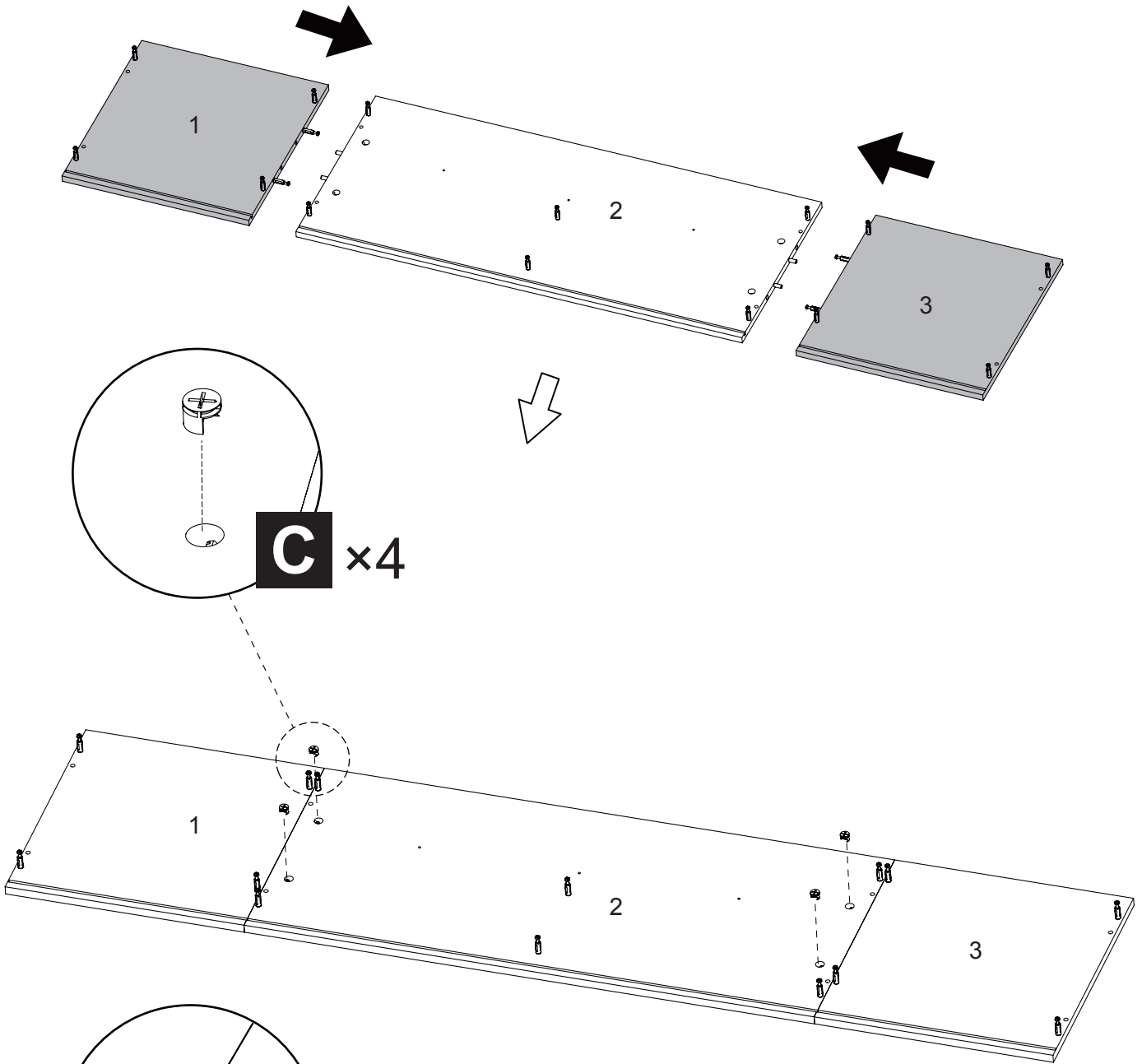
2



3






C X4



REMARK

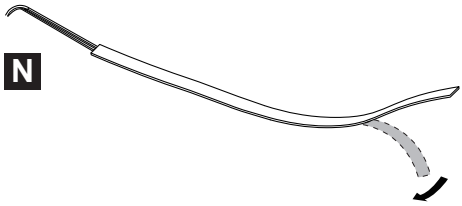
Let the grooves on part 1、 part 3 be connected to the groove on part 2 .

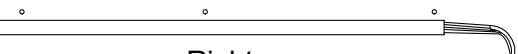
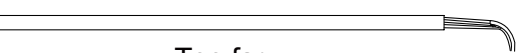
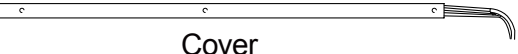
4

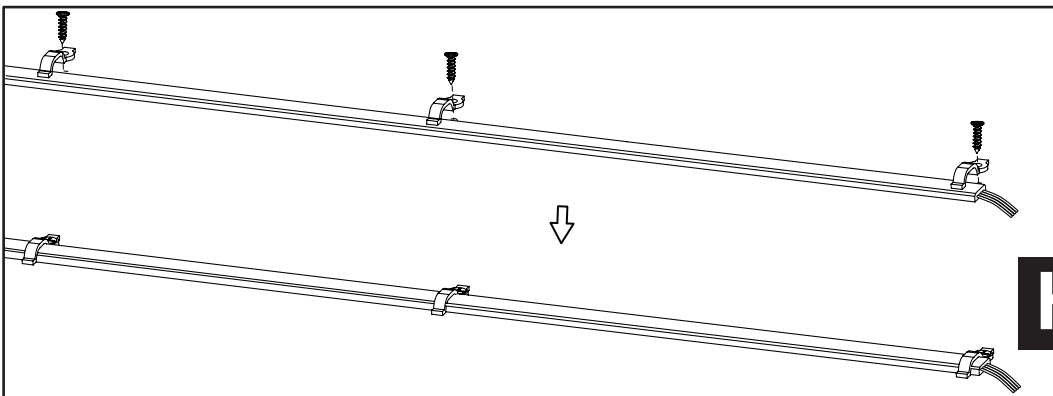
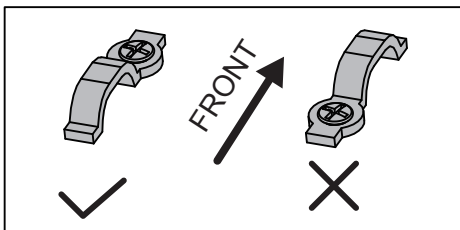
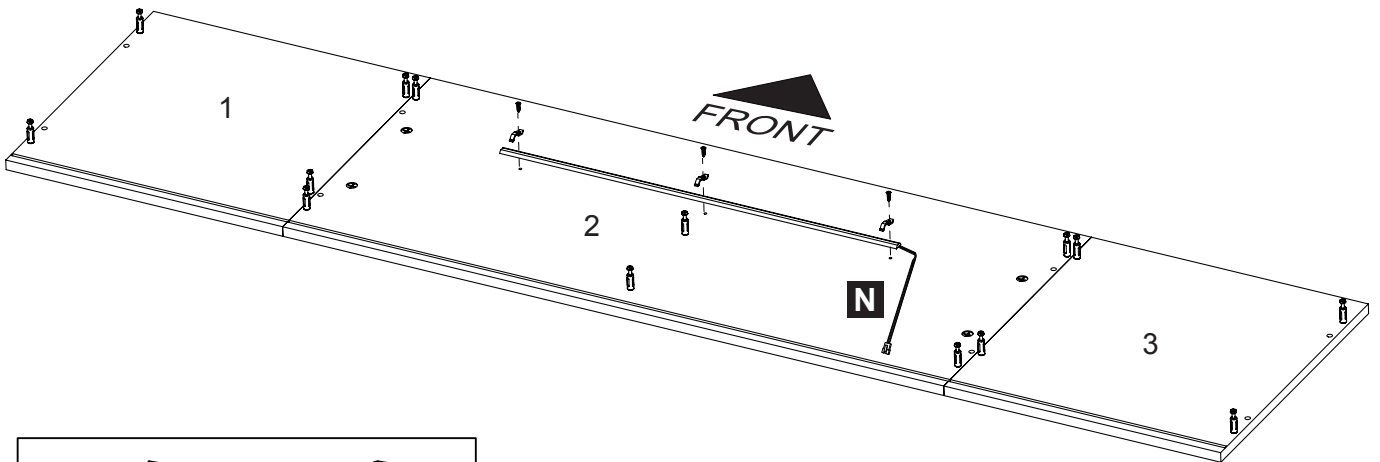
	N X1	H1 	H X3
		H2 	

REMARK

Peel off the fixing adhesive on the back of the part **N**.





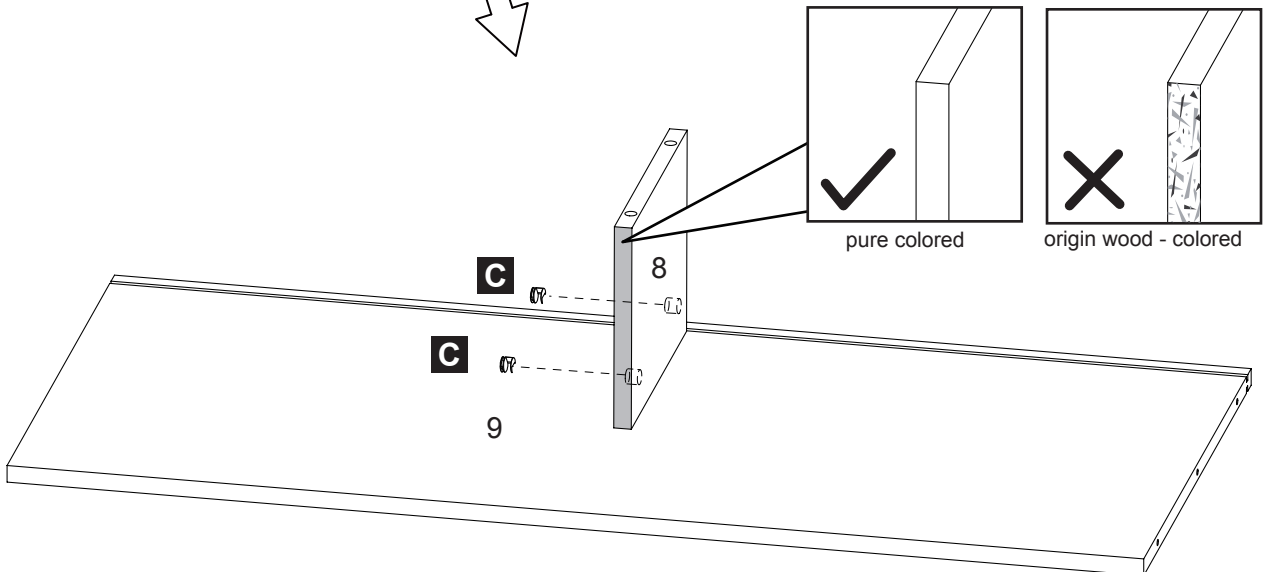
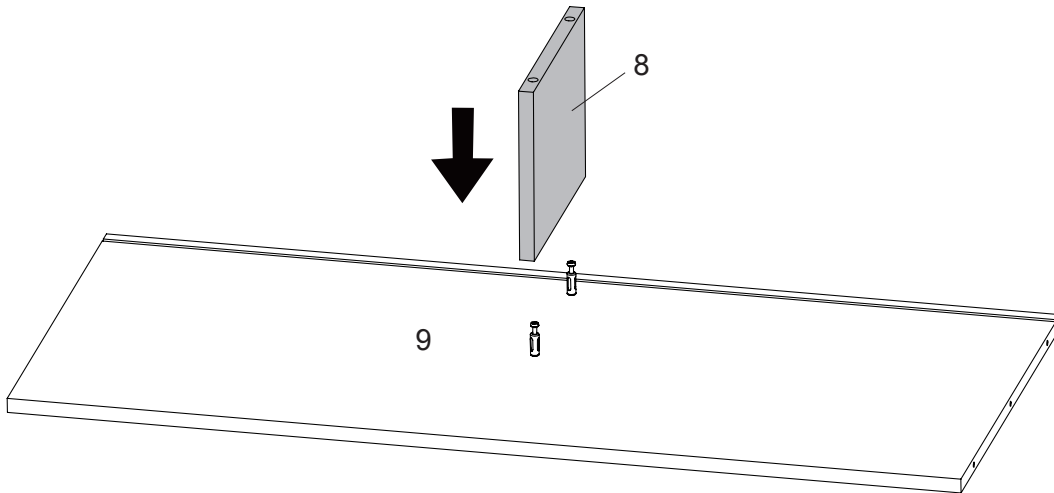
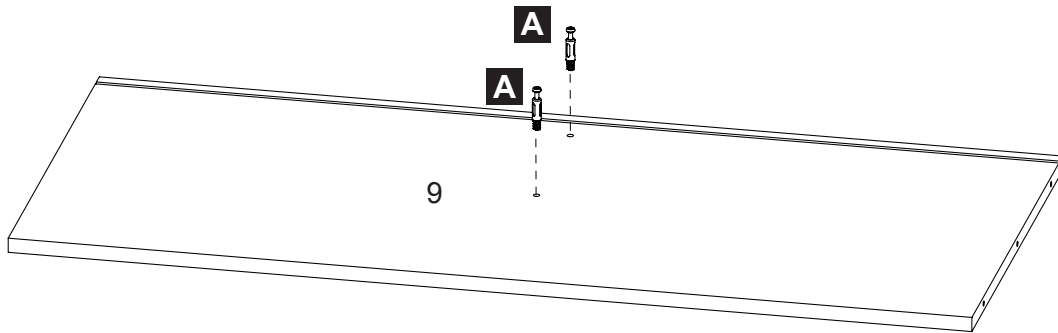
CORRECT LOCATION		
FRONT		
Right		✓
Too far		✗
Cover		✗






H x3

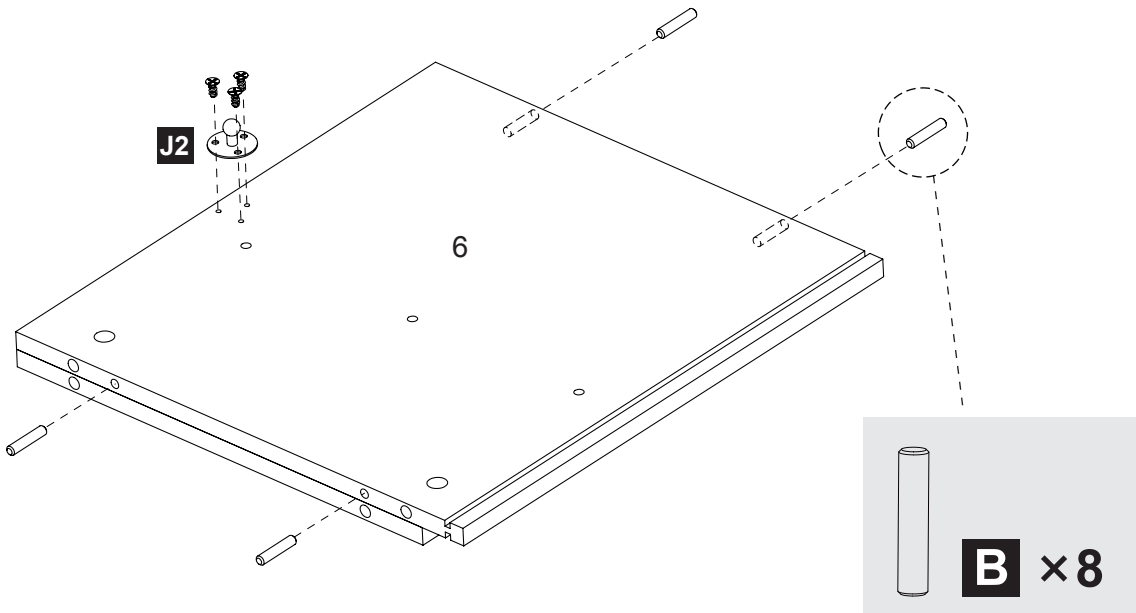
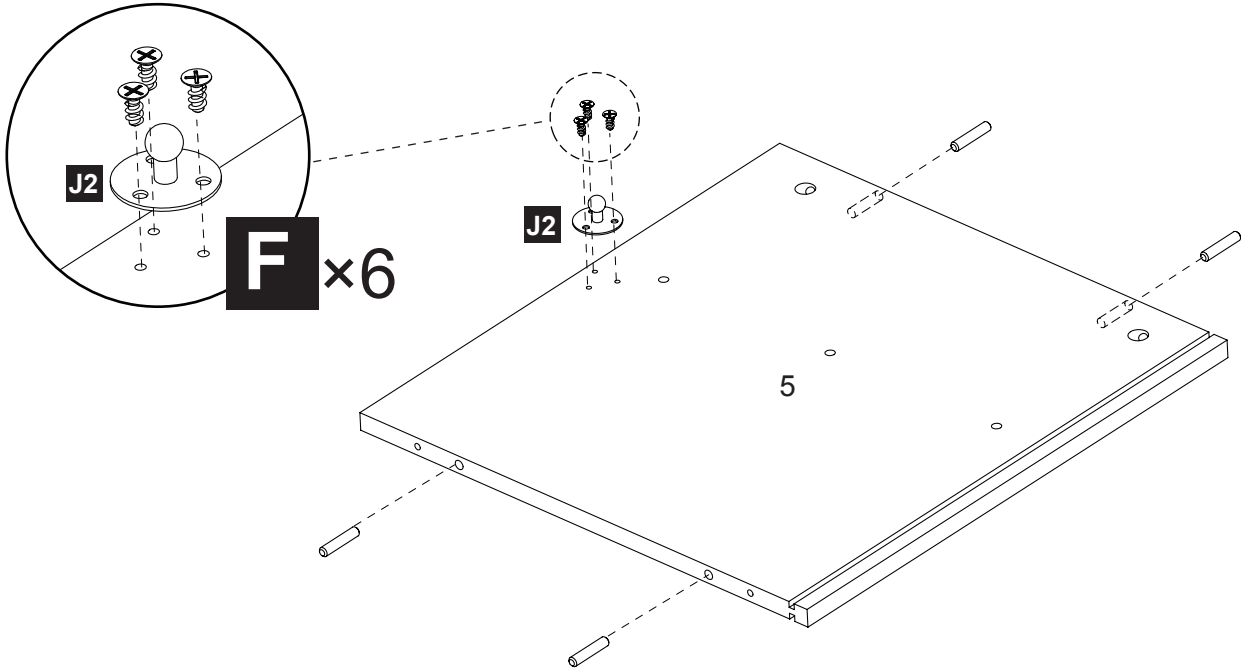
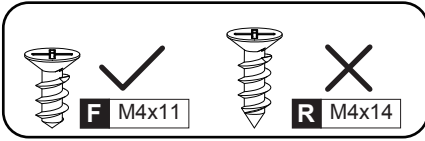
5

 A X2	 C X2
--	---

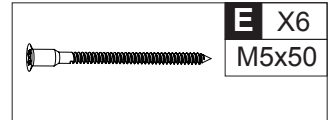


6

 B X8	 F X6 M4x11
	 J2 X2

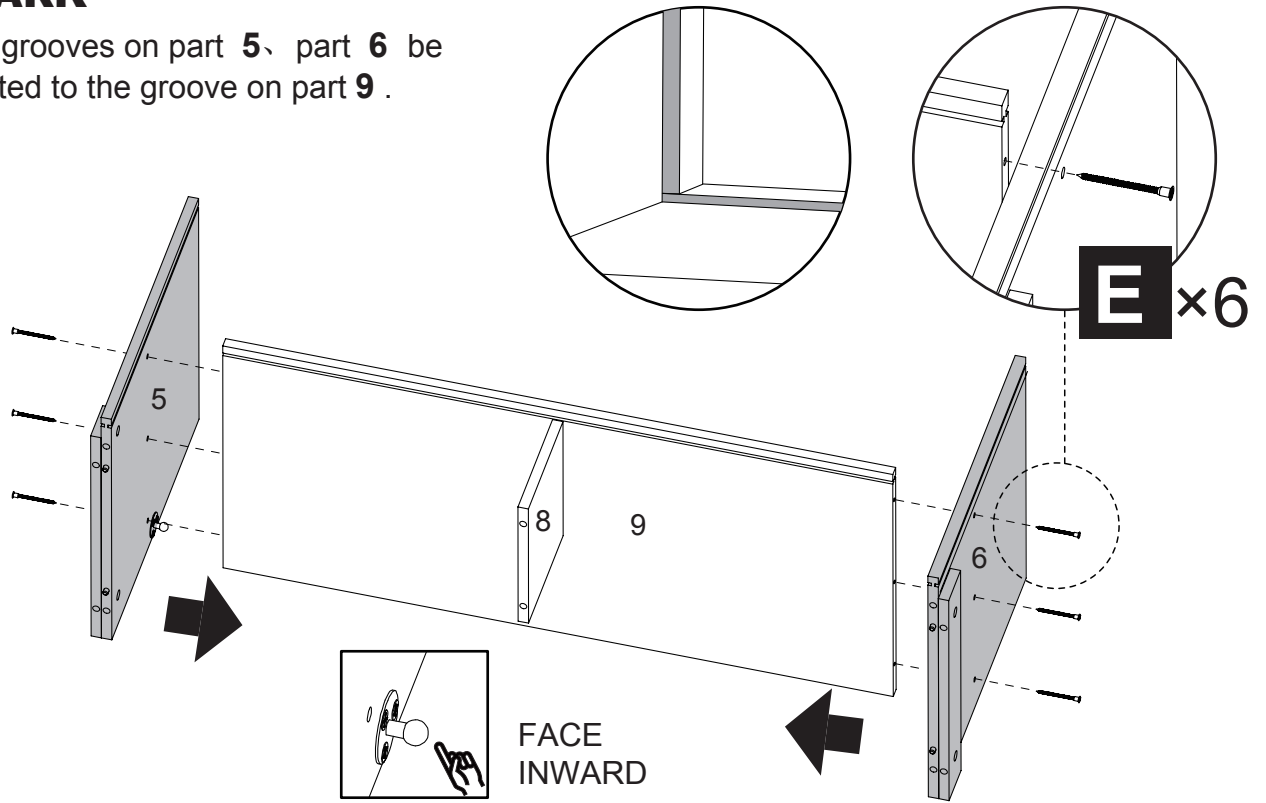


7

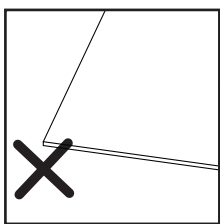


REMARK

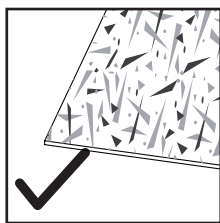
Let the grooves on part 5, part 6 be connected to the groove on part 9.



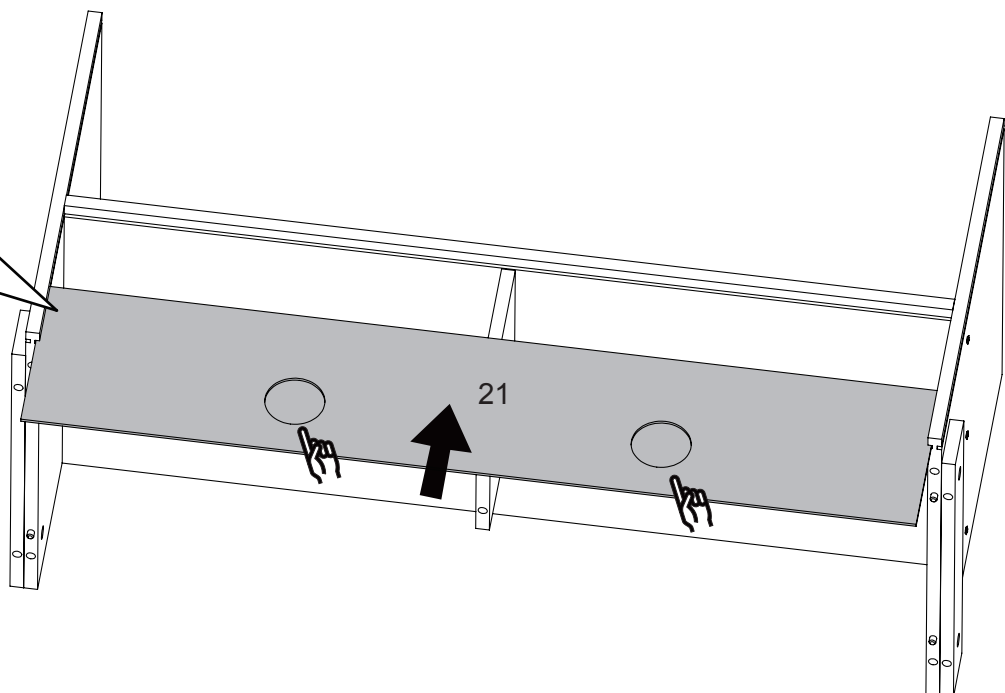
8

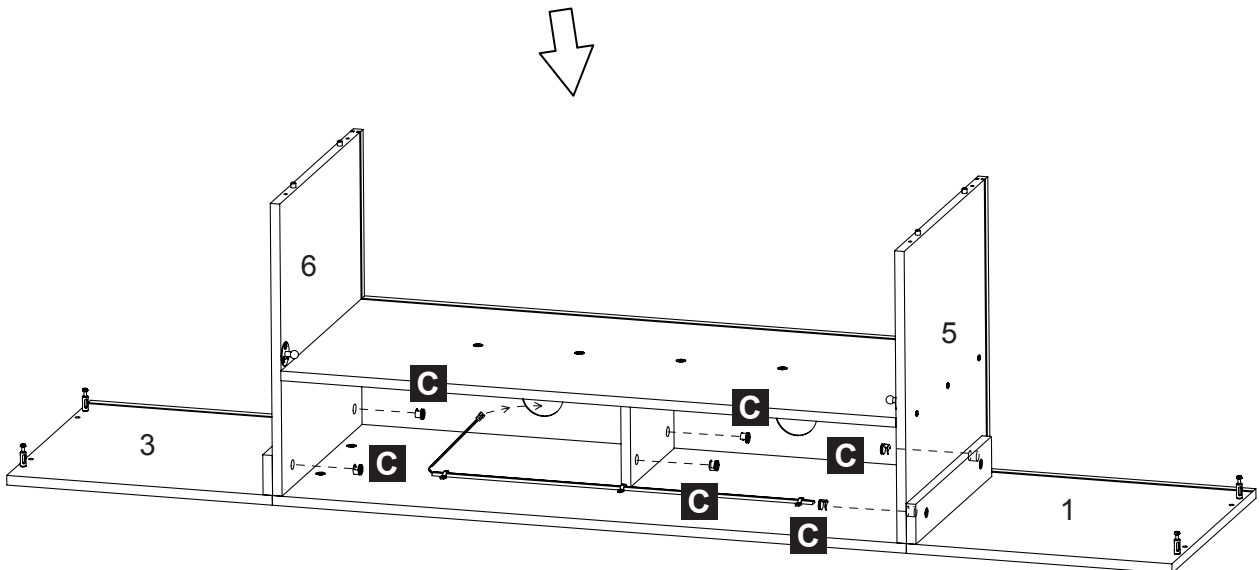
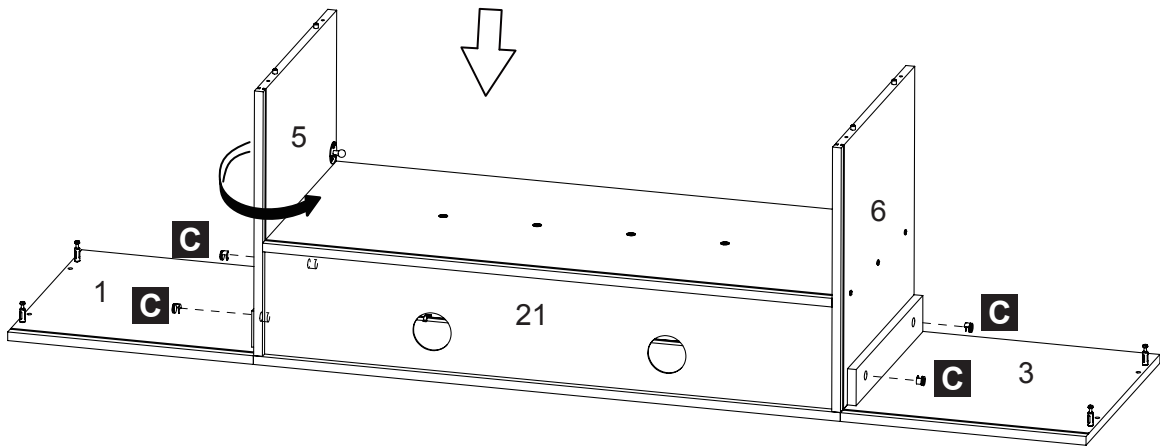
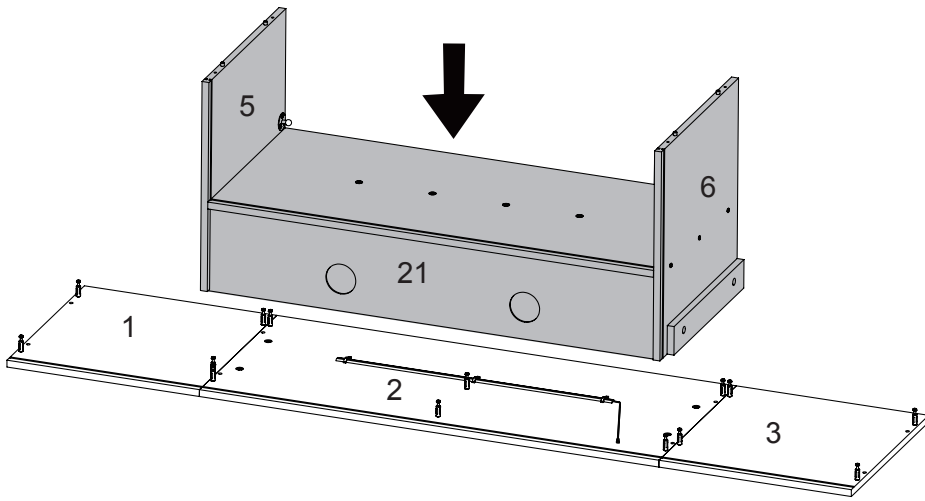
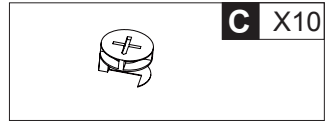


pure colored



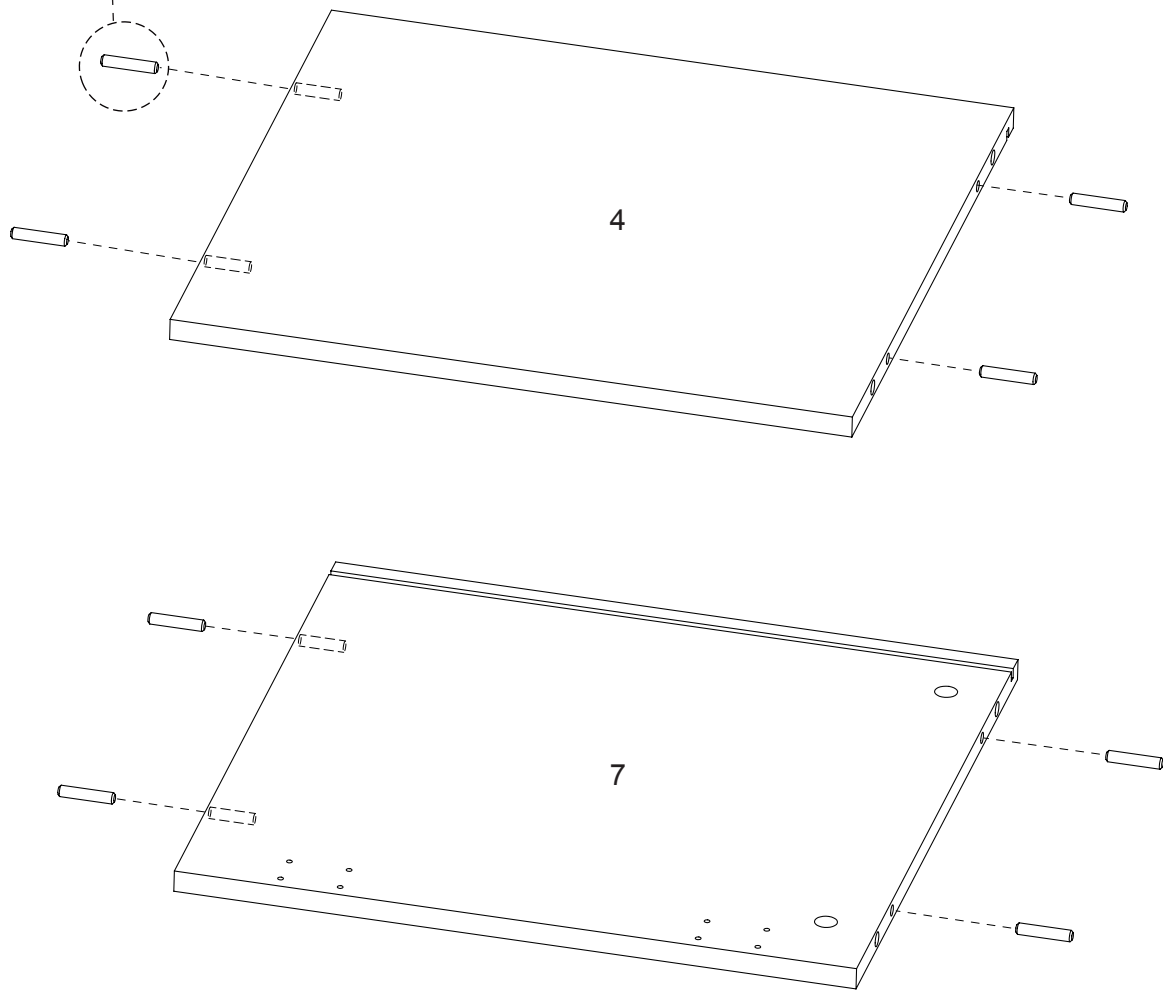
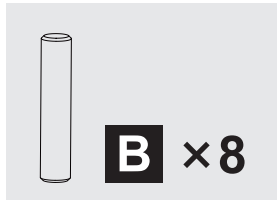
origin wood - colored



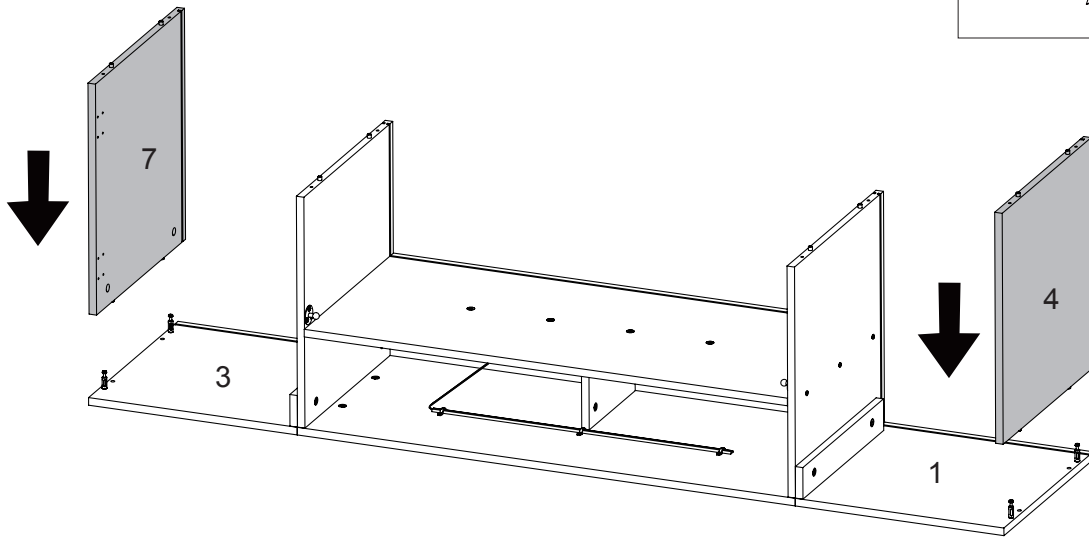
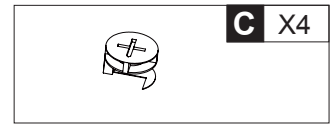


10

B X8

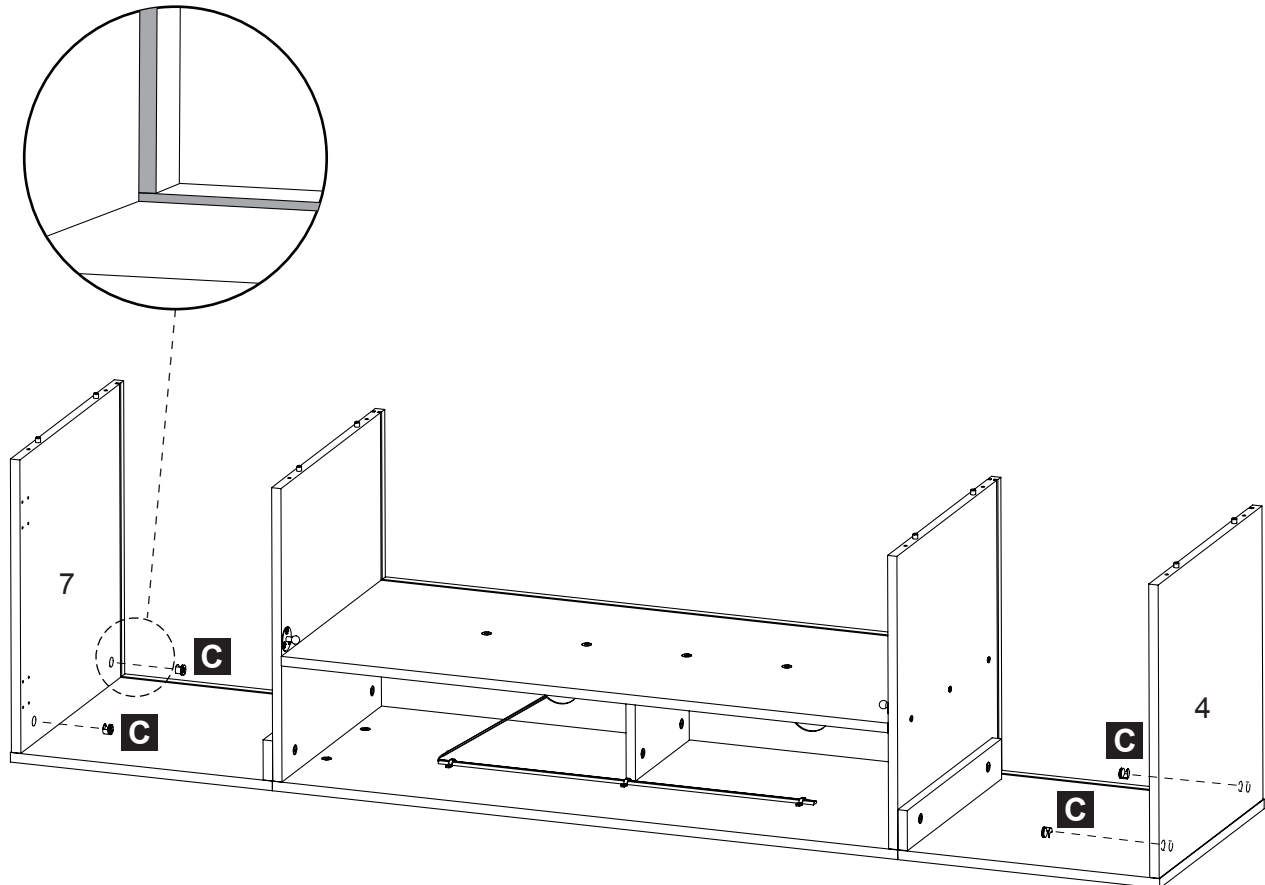


11





REMARK

Let the grooves on part 4 、 part 7 be connected to the groove on part 1、 part 3 .

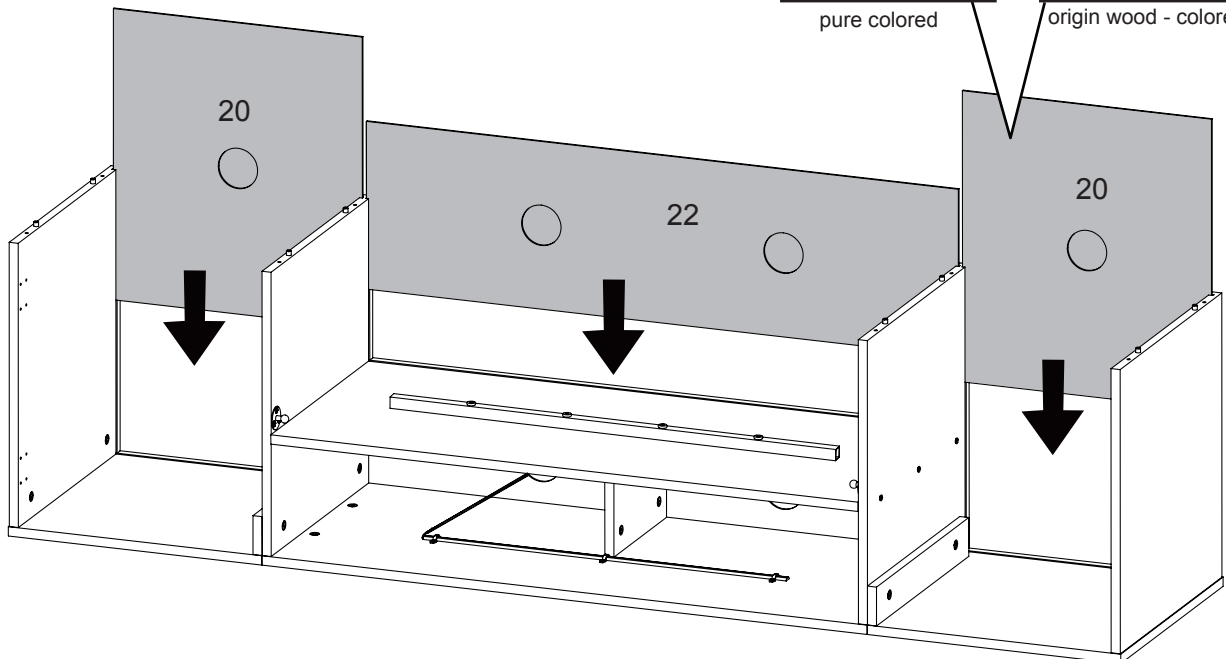
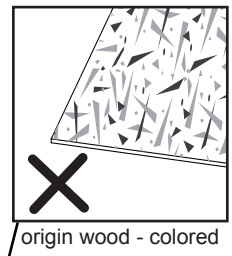
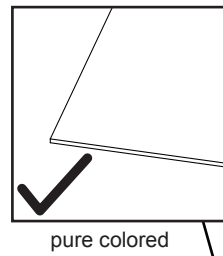
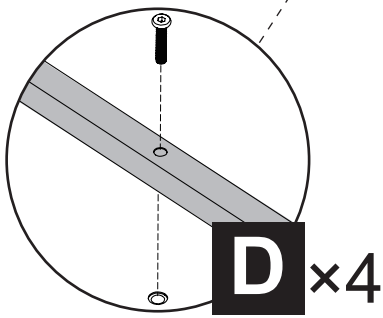
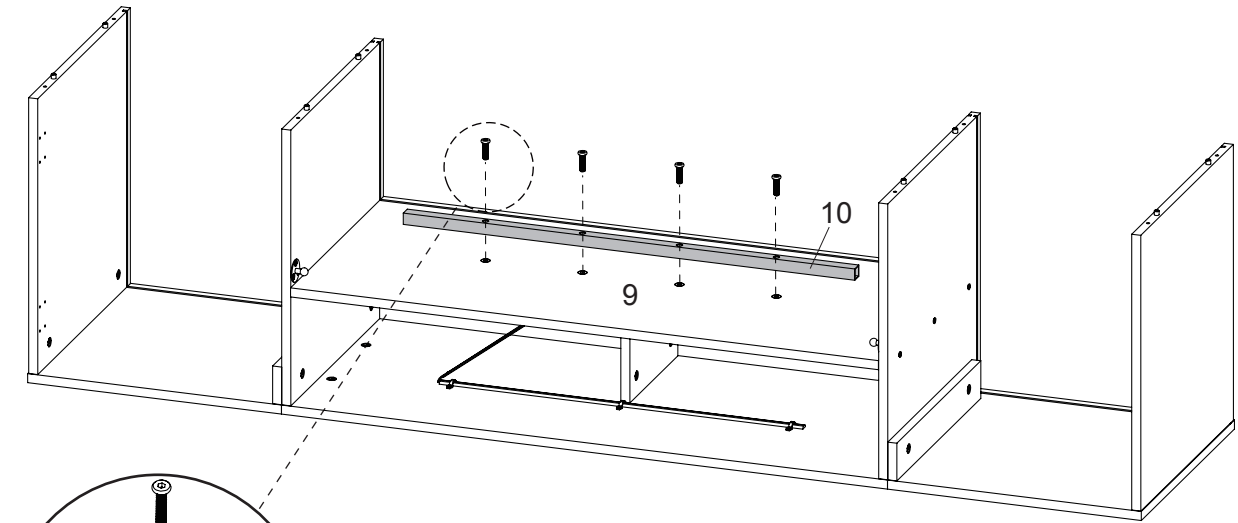


12

	D X4 M6x23
	S X1

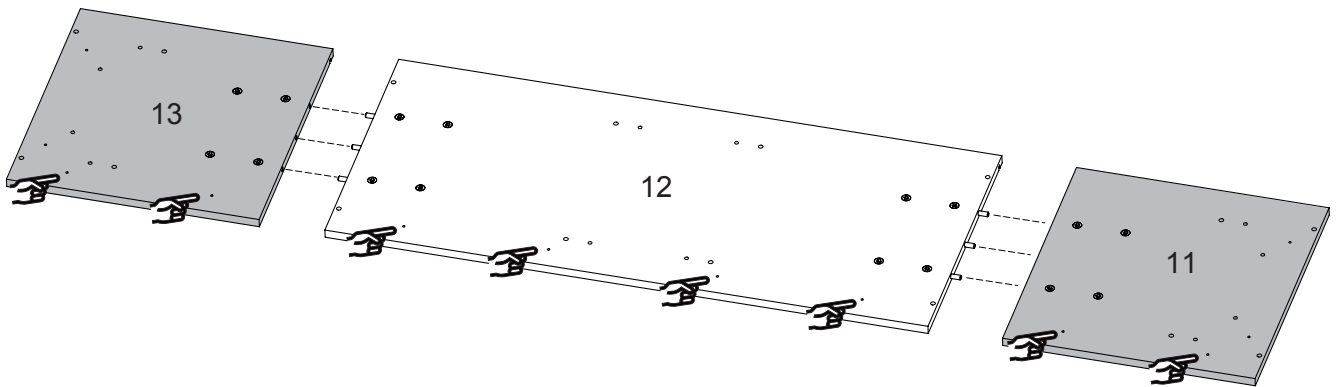
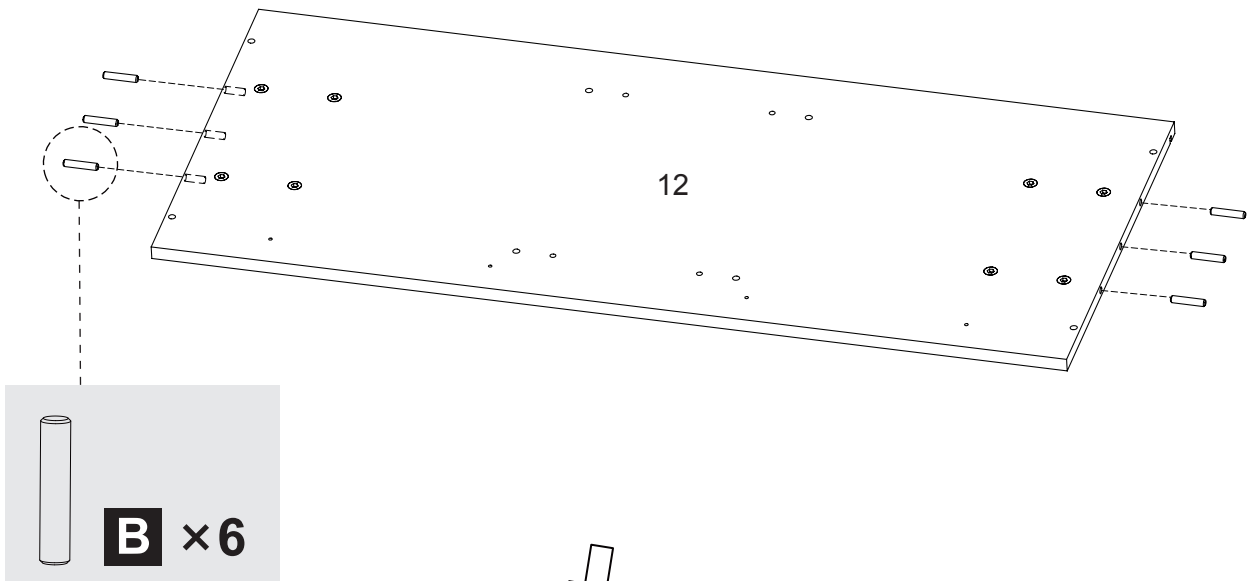
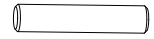
REMARK

Please do not fully tighten screws until all screws are in place.

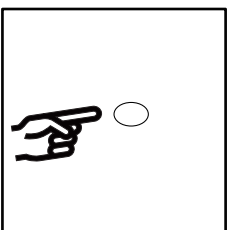


13

B X6

**REMARK**

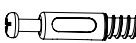


The holes indicated by the fingers on the part **11**, part **12**, and part **13** are on the same side.

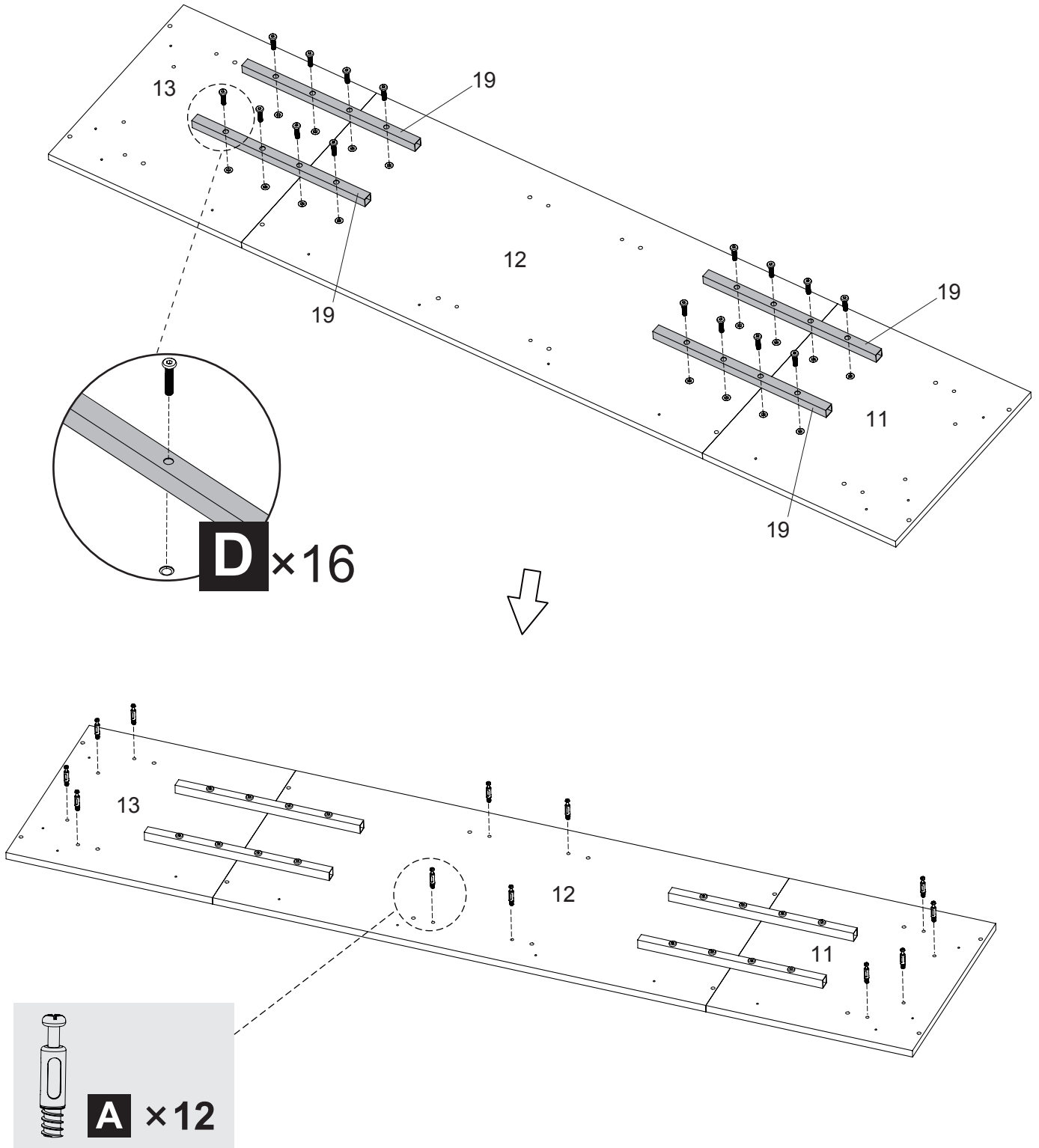


14

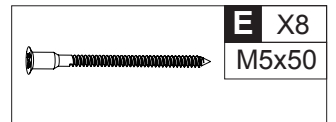
REMARK

Please do not fully tighten screws until all screws are in place.

 <p>A X12</p>	 <p>D X16 M6x23</p>
 <p>S X1</p>	

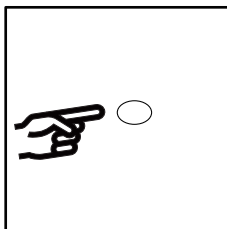
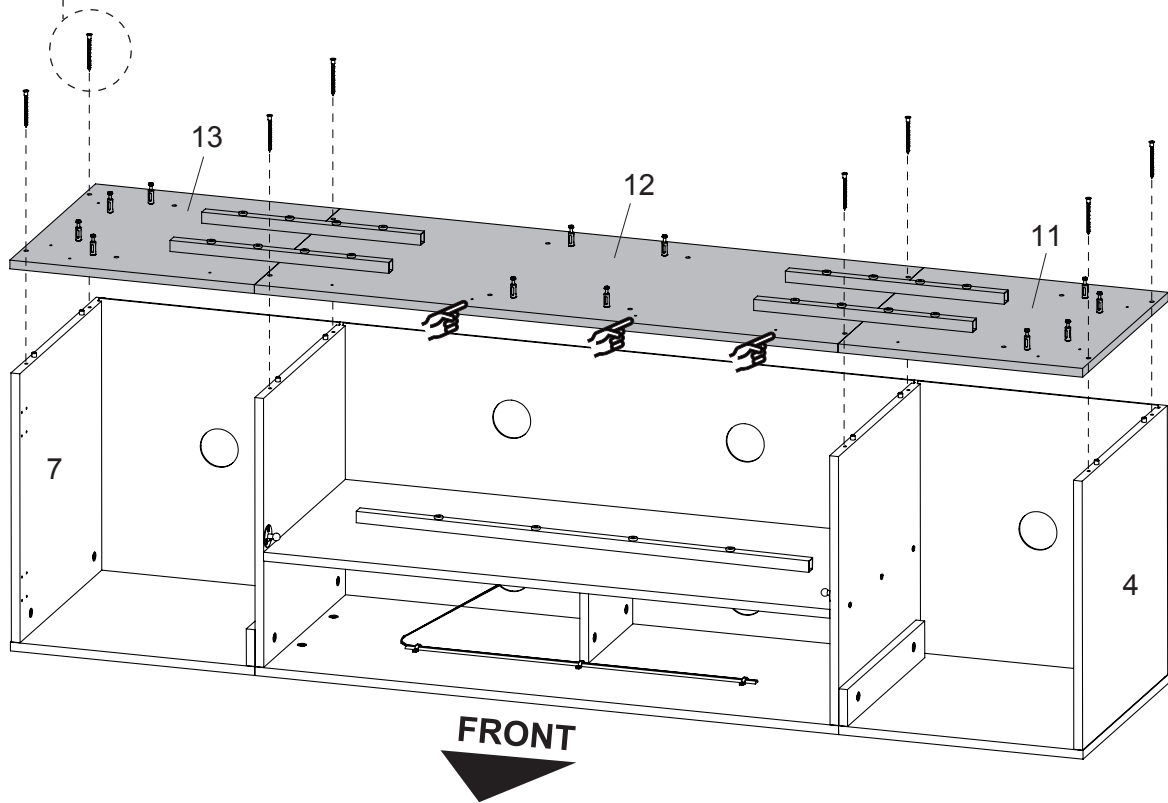
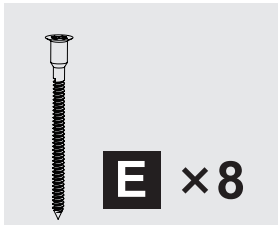


15

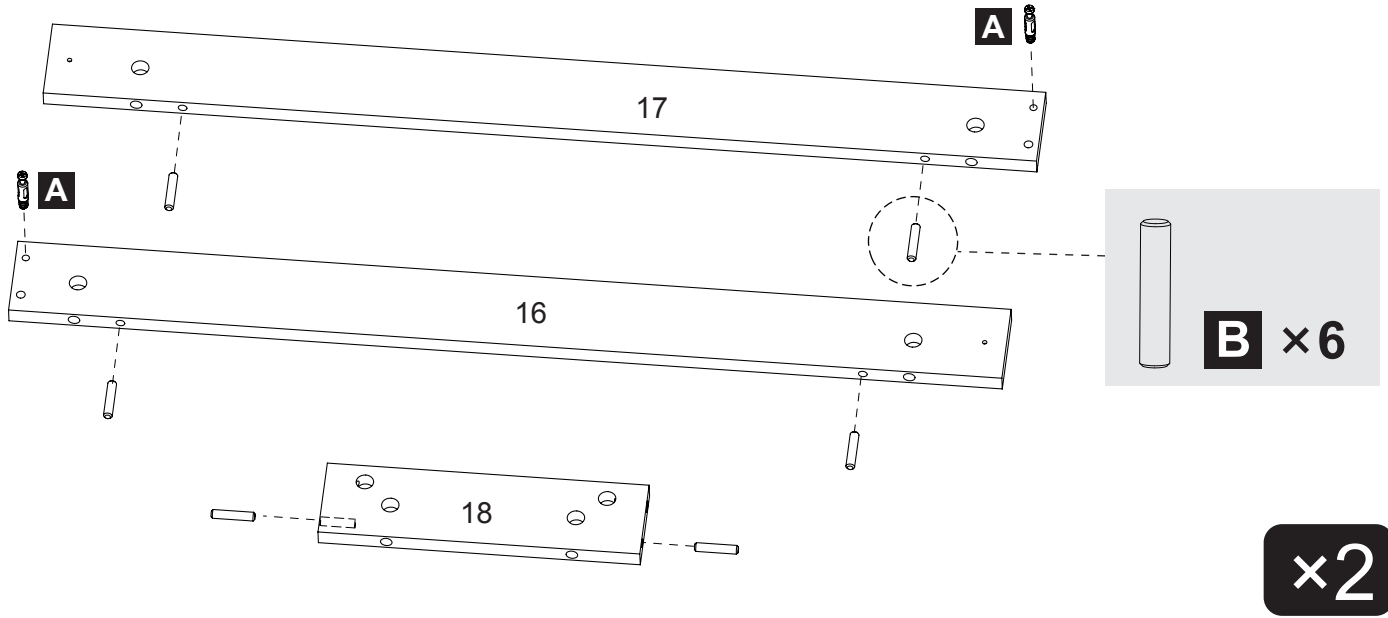
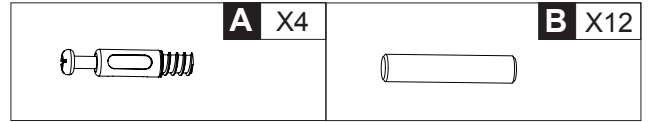


REMARK

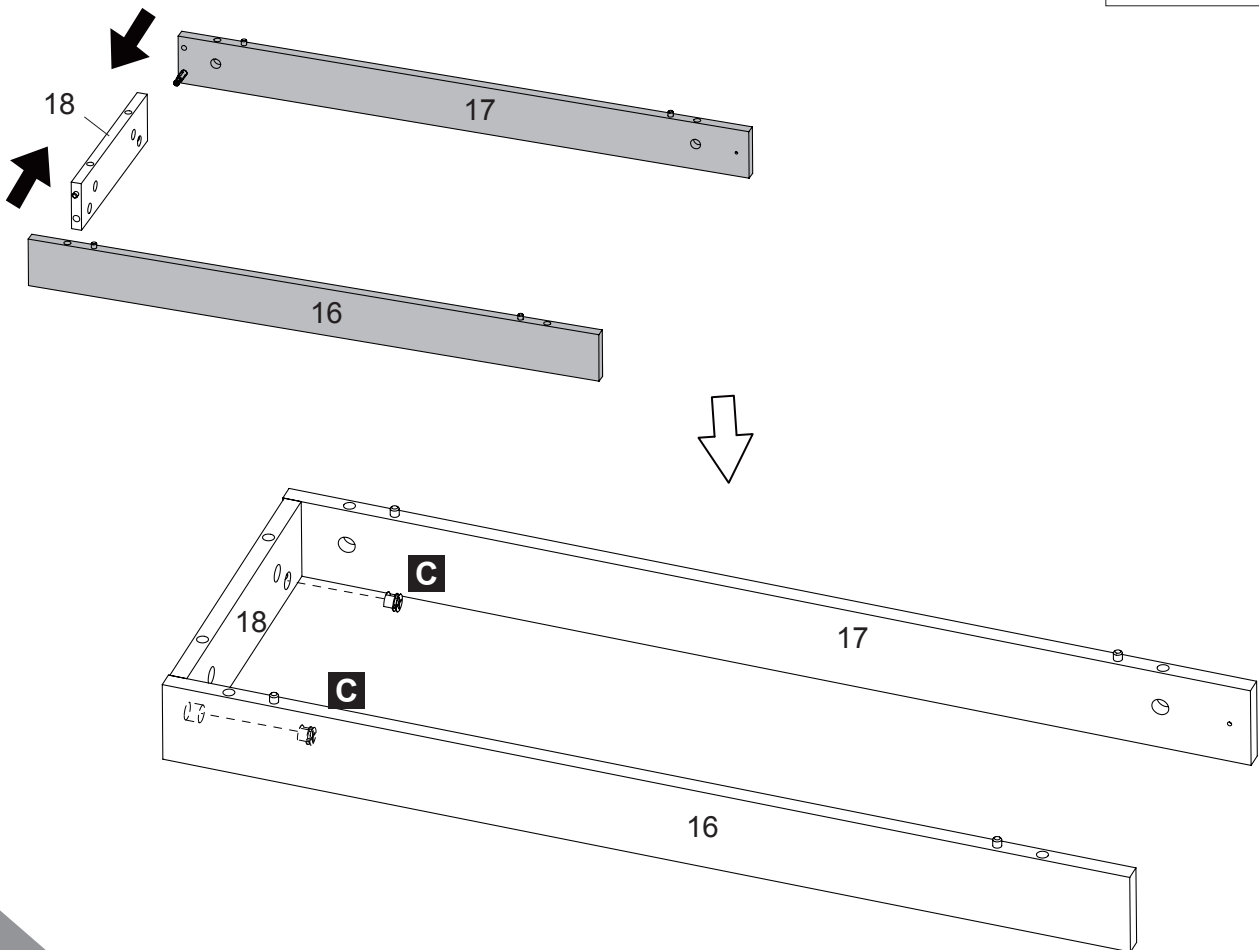
Please do not fully tighten screws until all screws are in place.

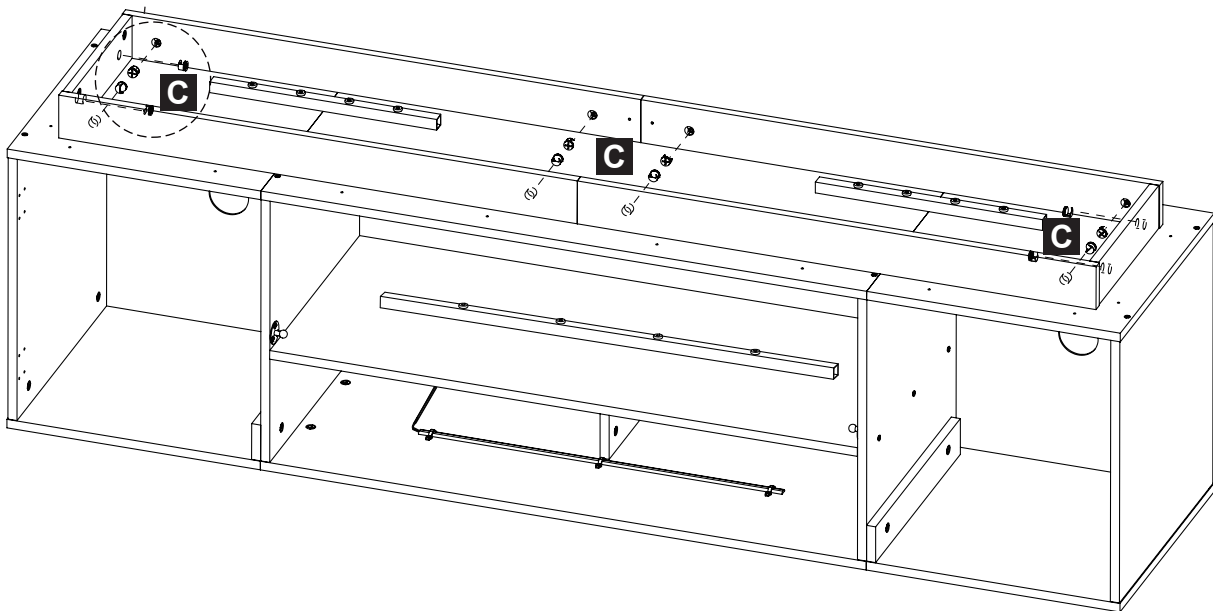
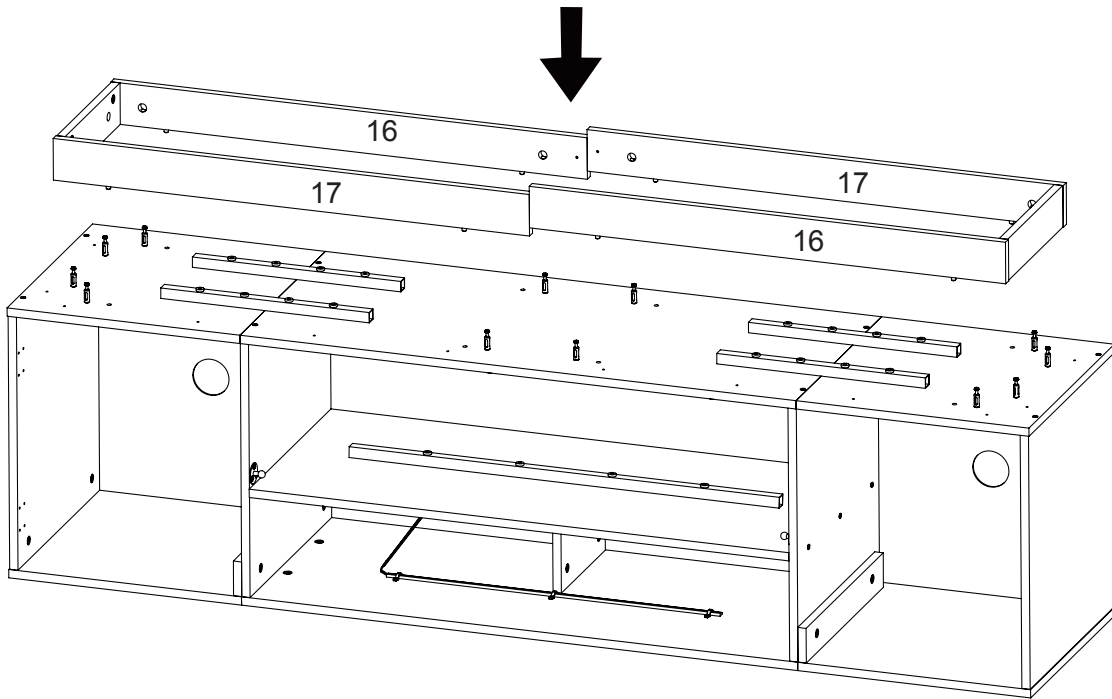
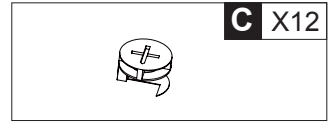


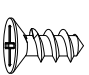

16

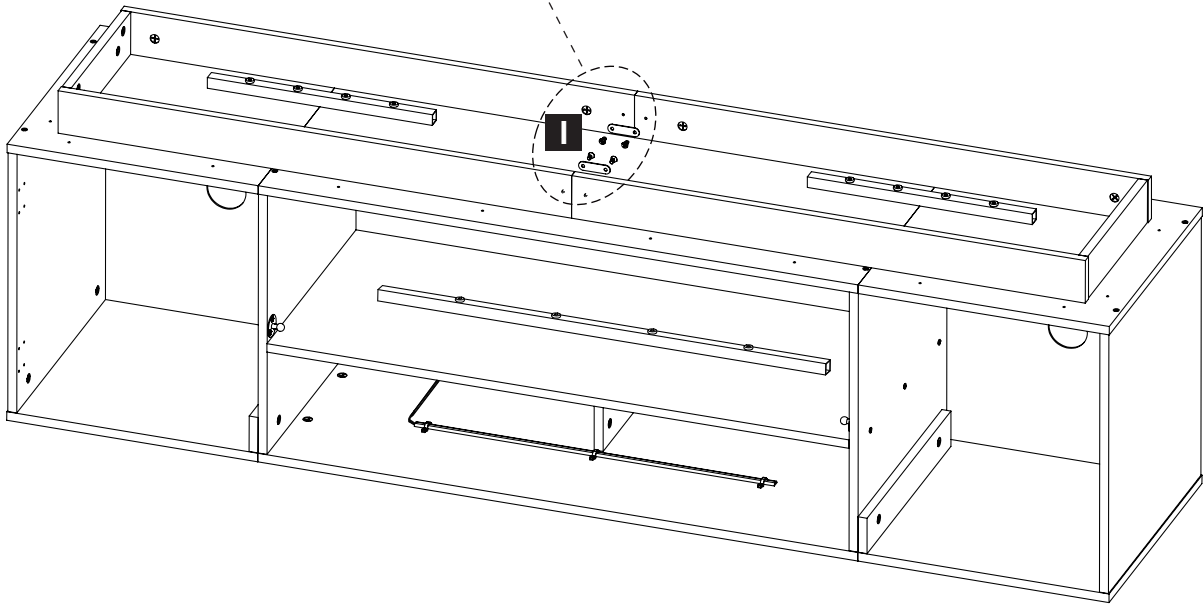
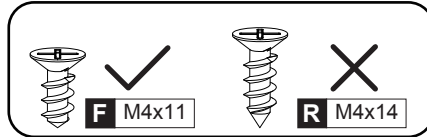
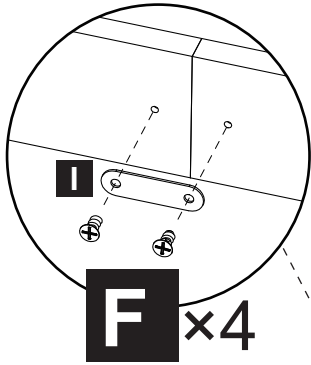


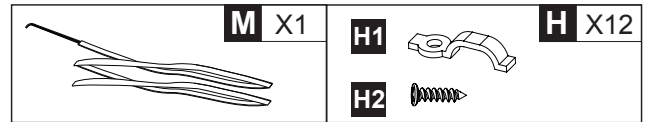
17





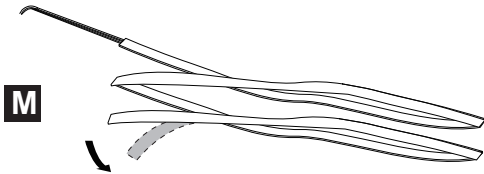
	F X4 M4x11
	I X2



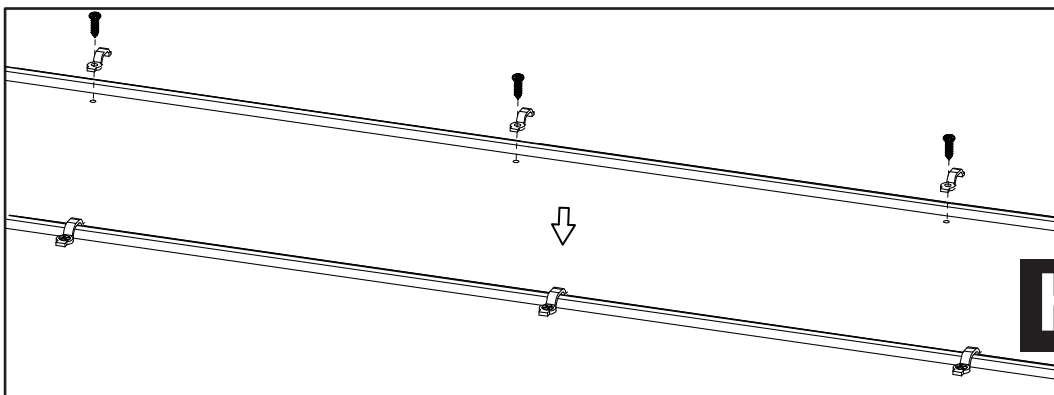
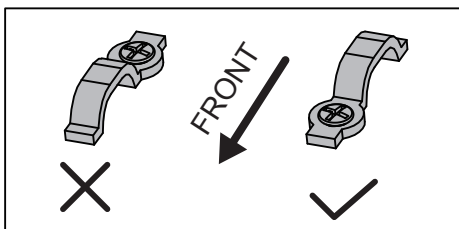
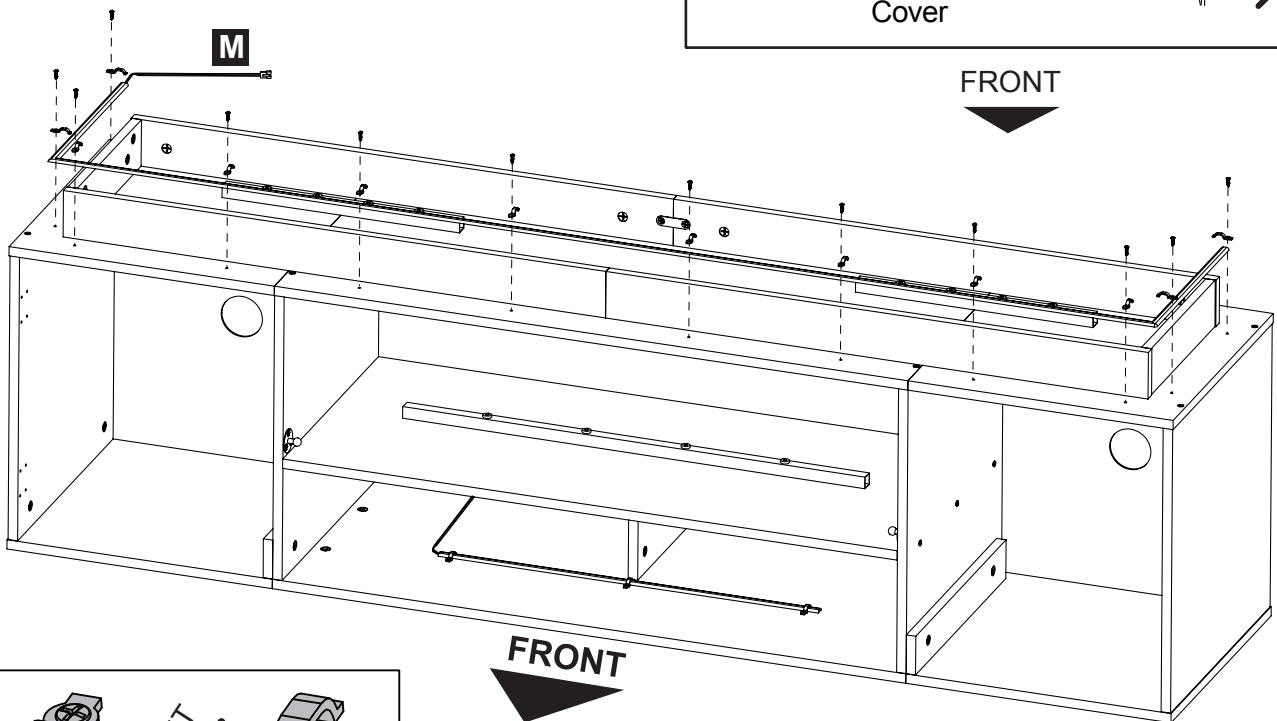


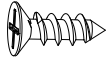
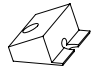
REMARK

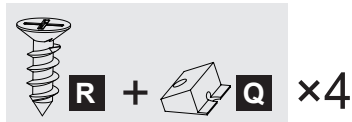
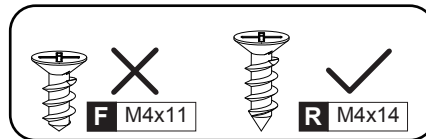
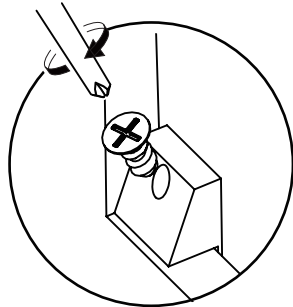
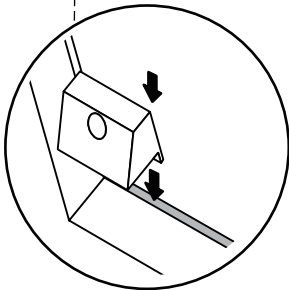
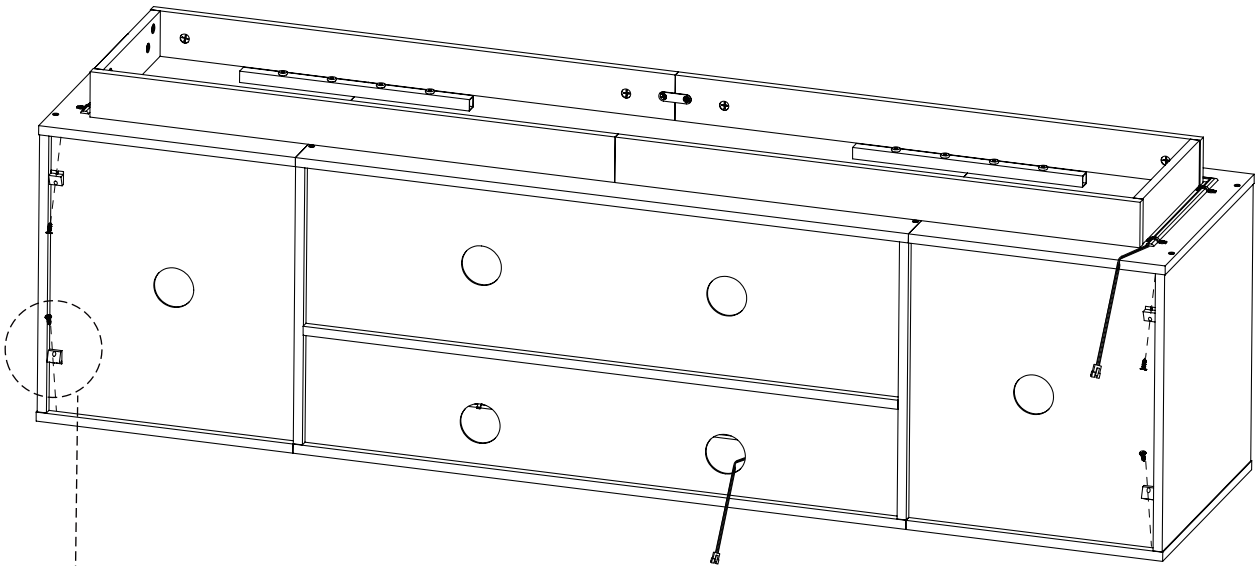
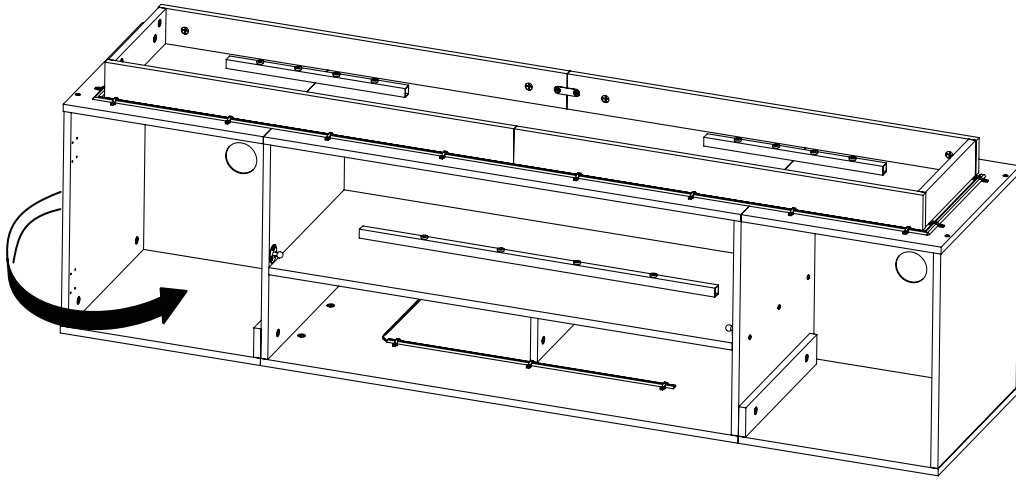
Peel off the fixing adhesive on the back of the part **M**.

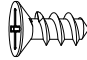



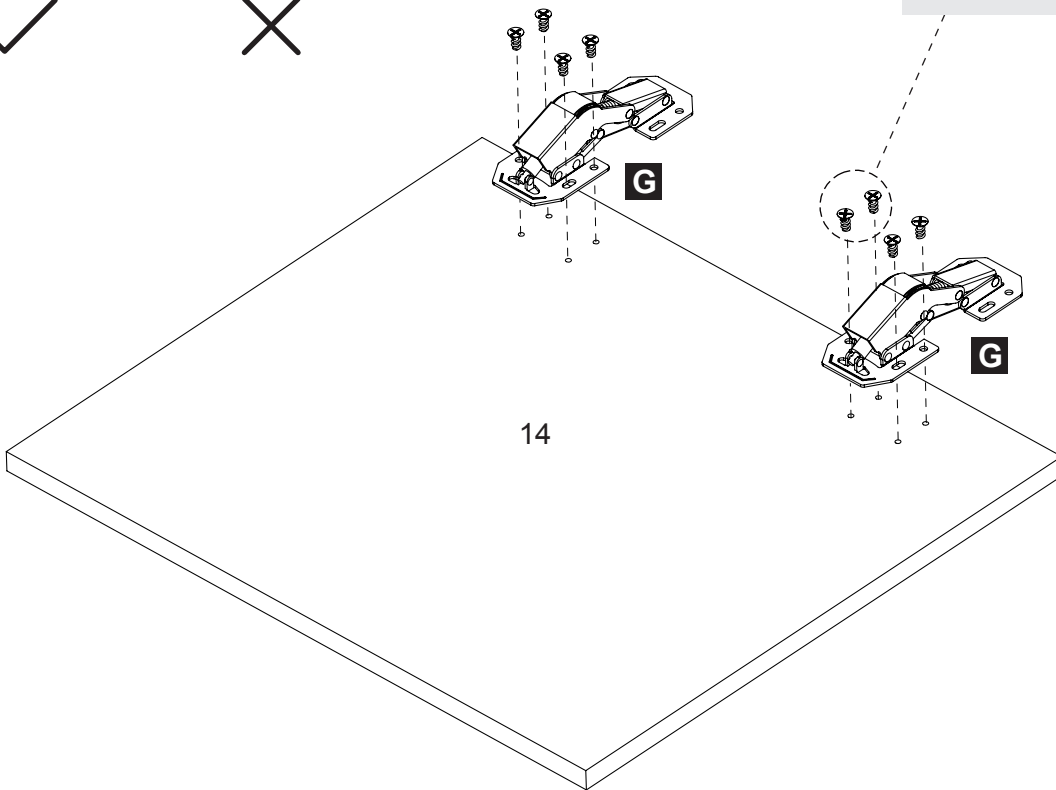
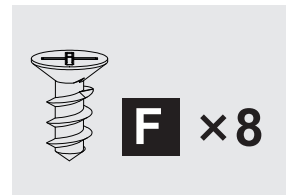
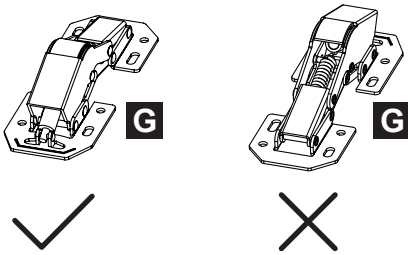
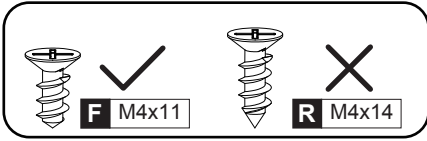
CORRECT LOCATION	
Right	✓
Too far	✗
Cover	✗



	R X4 M4x14
	Q X4



	F X16		G X4
	M4x11		

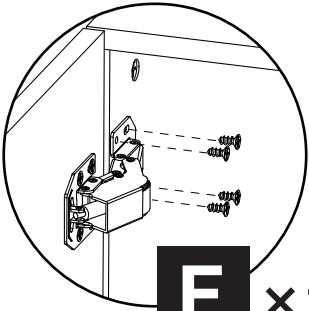
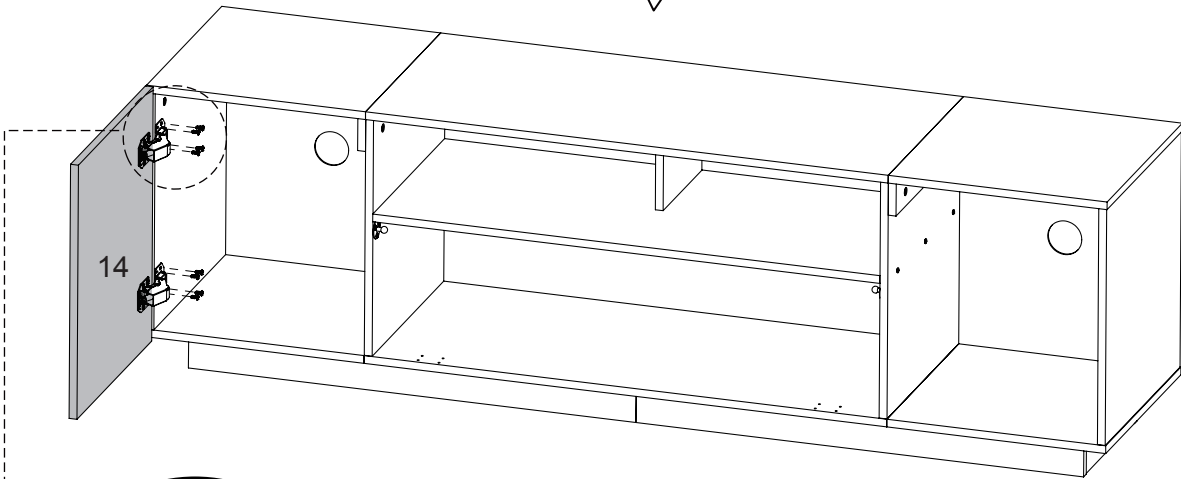
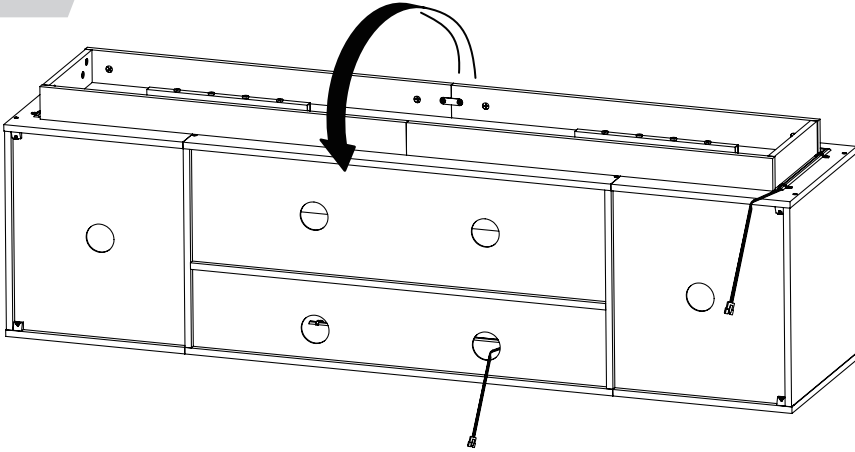


x2

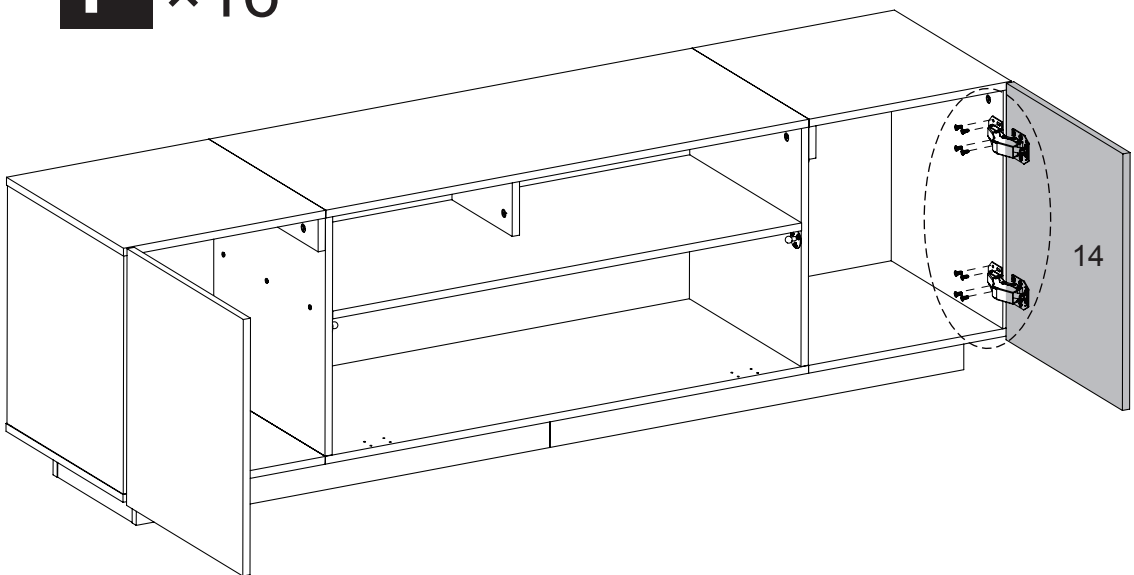
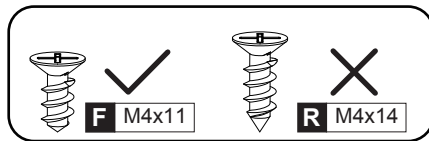
23





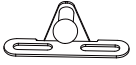
F X16
M4x11

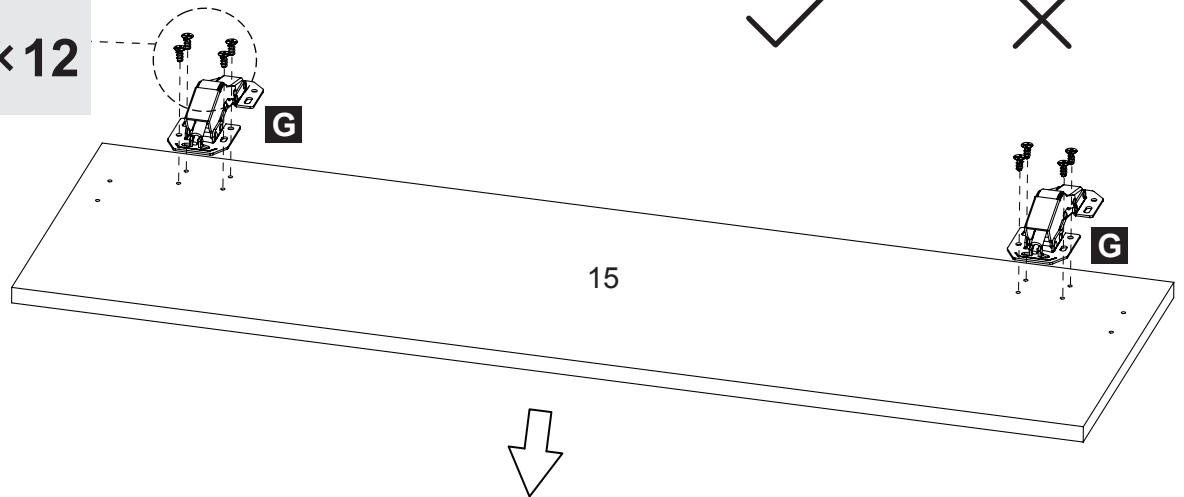
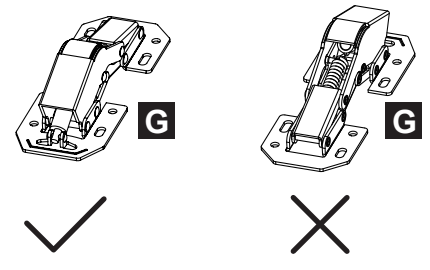
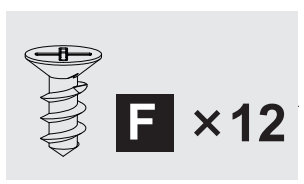
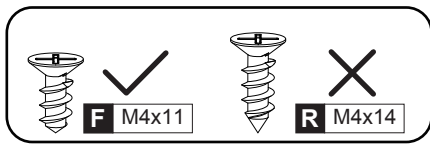


F ×16



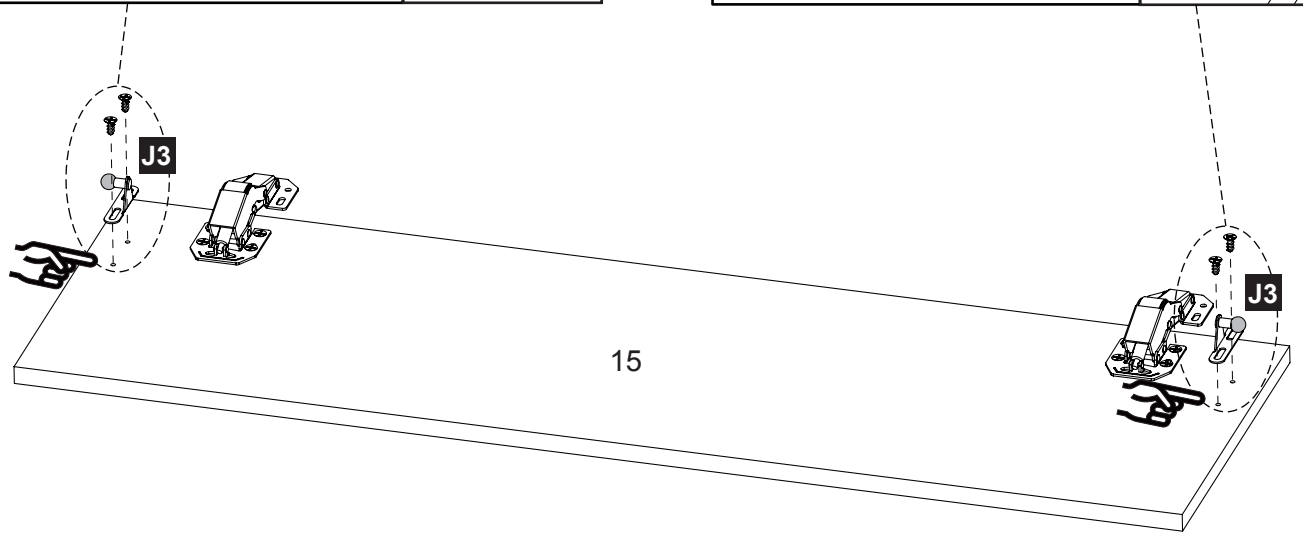
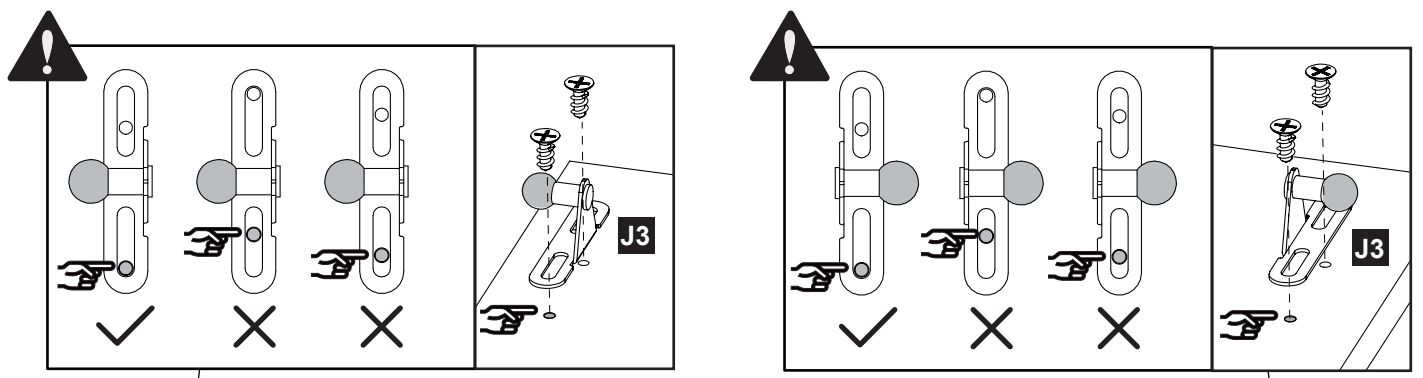
24

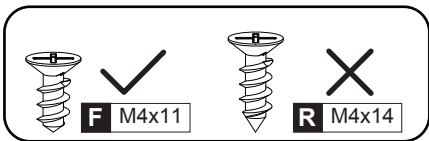
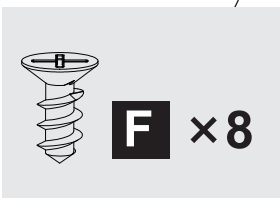
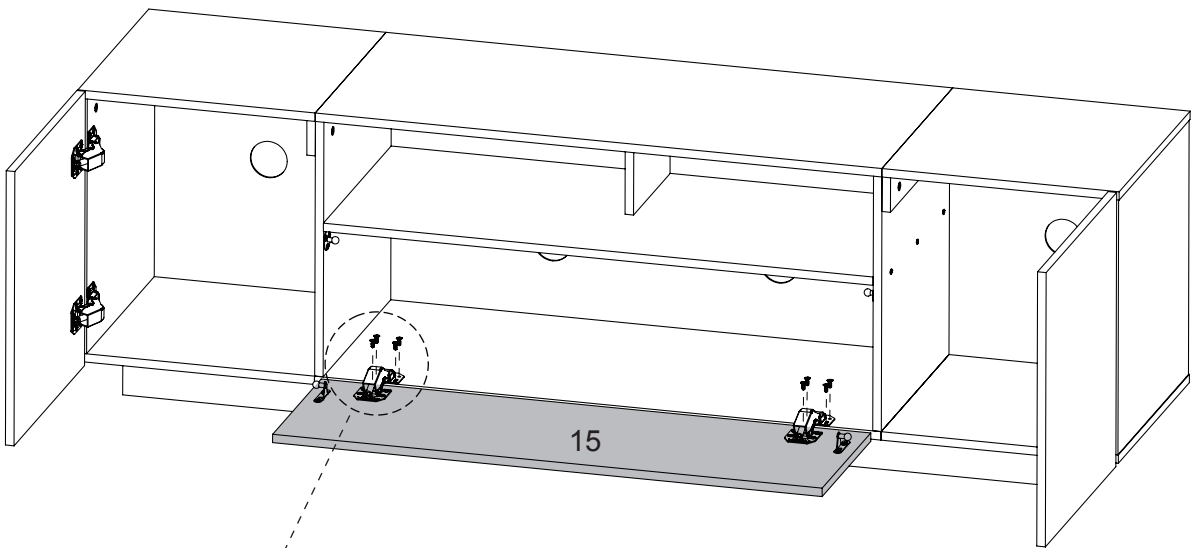
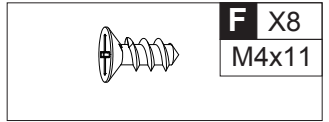
 <p>F X12 M4x11</p>	 <p>G X2</p>	 <p>J3 X2</p>
---	---	---

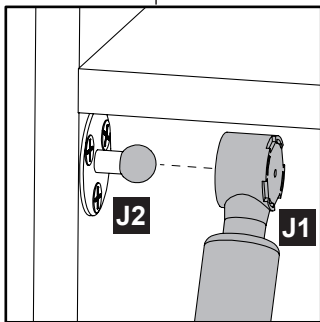
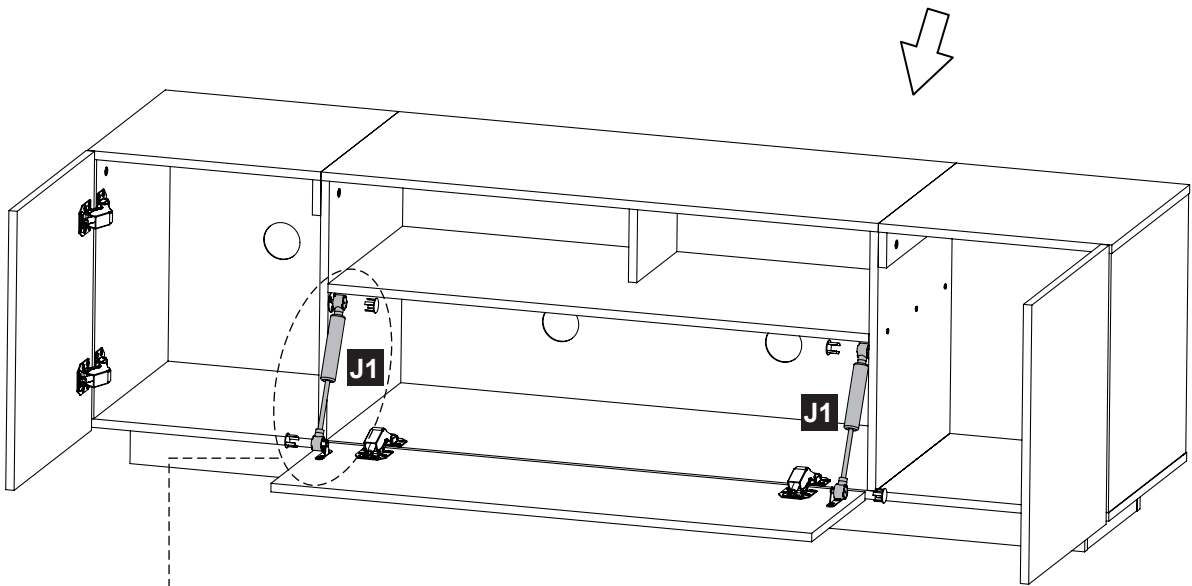
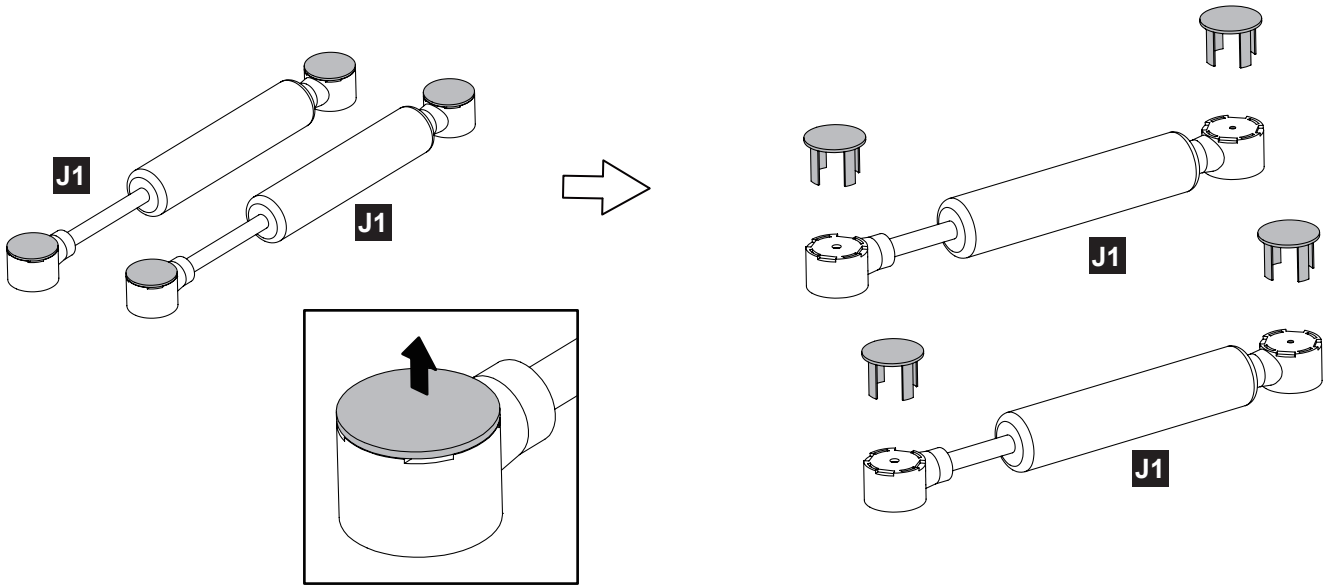


REMARK

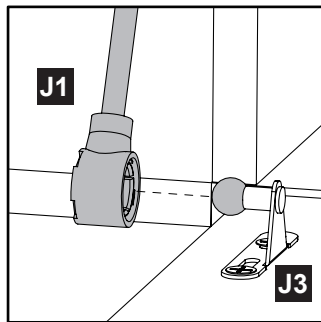
Please install part **J3** according to the hole position indicated by the finger.



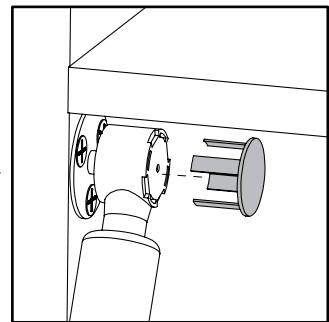




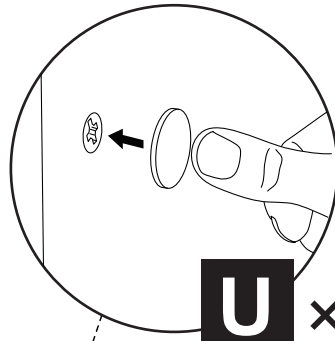
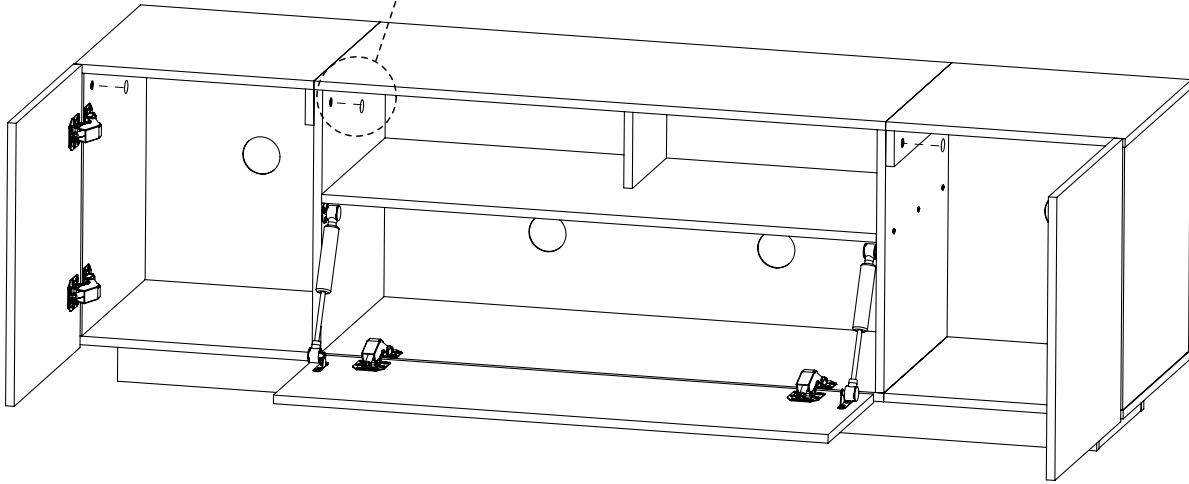
×2

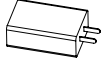




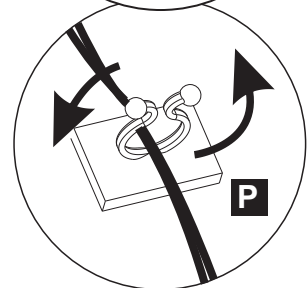
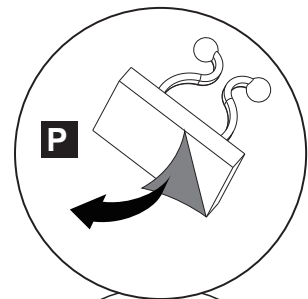
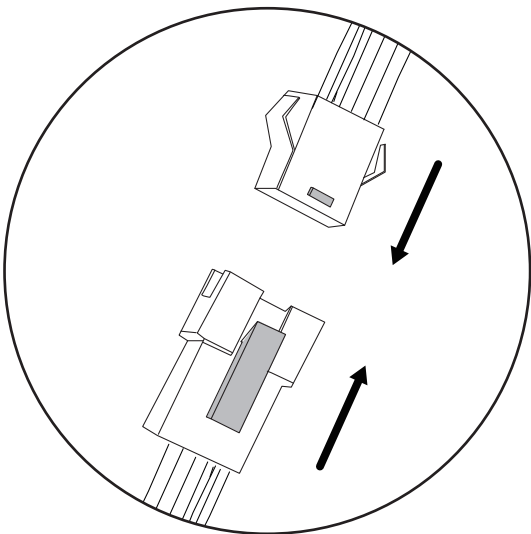
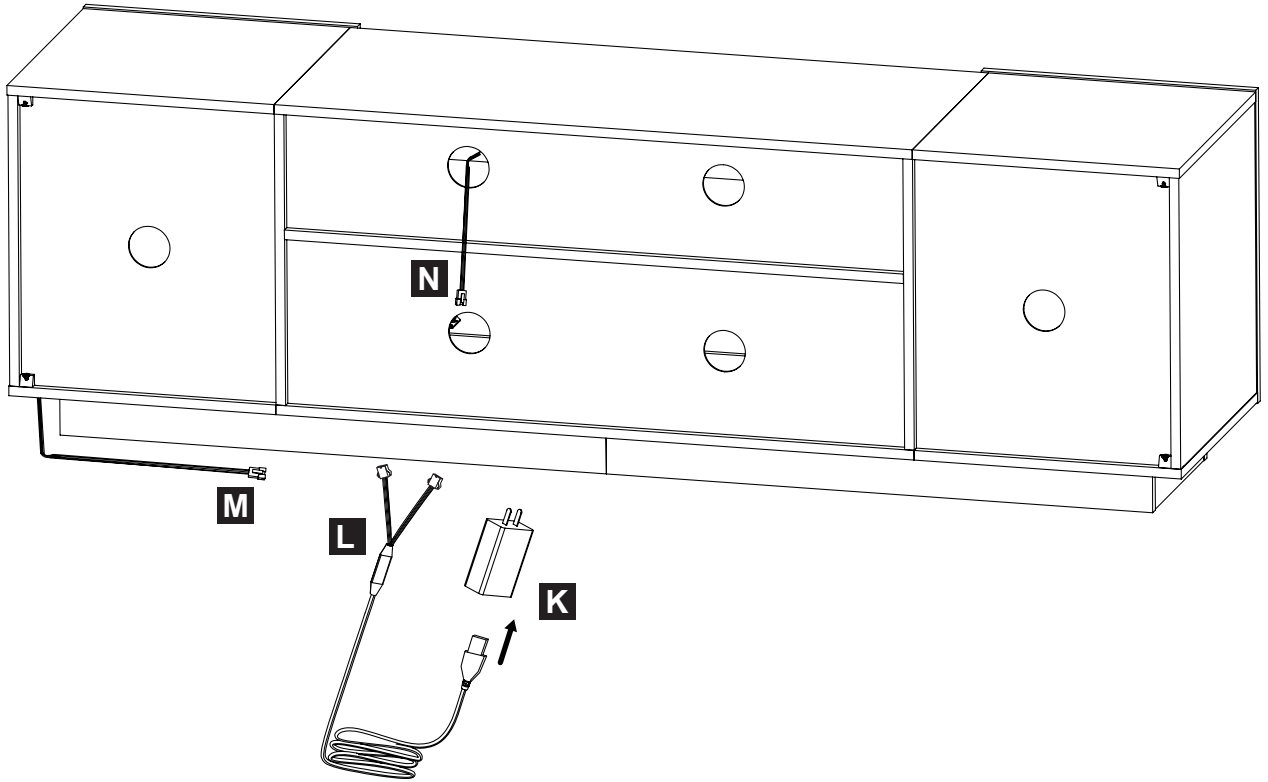
×2



×4

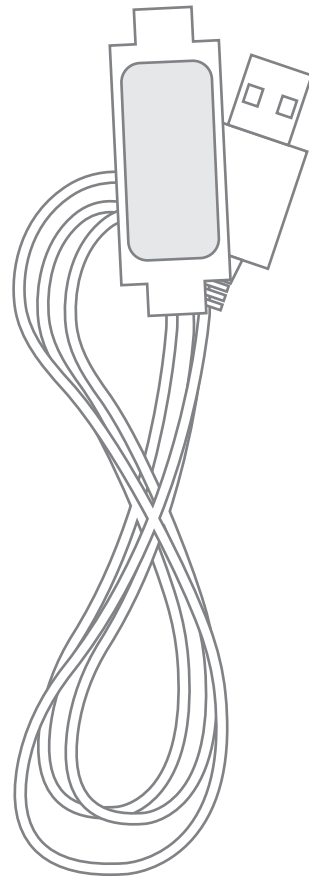
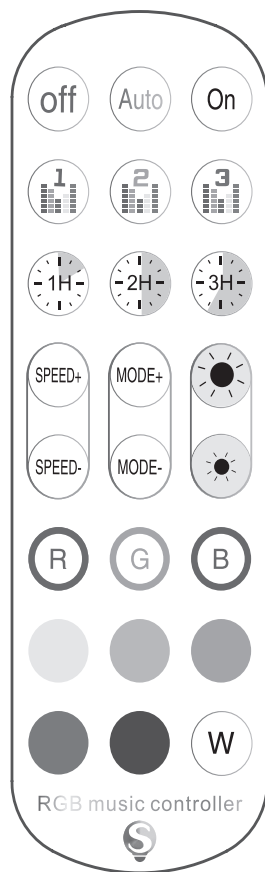
**U** ×12

 K X1	 L X1
	 P X2



User instruction

for led strip light



If you have any question after receiving the products, please contact our customer service, we will reply to you within 24 hours.

CE RoHS FC  

Instructions for use of led controller

IOS and Android system can download the "duoCo Strip" APP on the cell phone to control the lighting of the TV stand.

1. There are the following ways to download the APP——duoCo Strip 



2. Download steps:

- ①Open APP Store or Google Play on the cell phone.
- ②Search for "duoCo Strip".
- ③Click "Download" to get the APP.

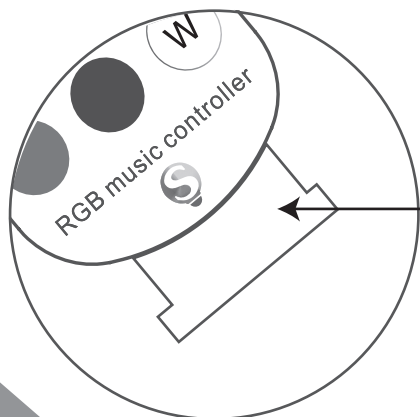
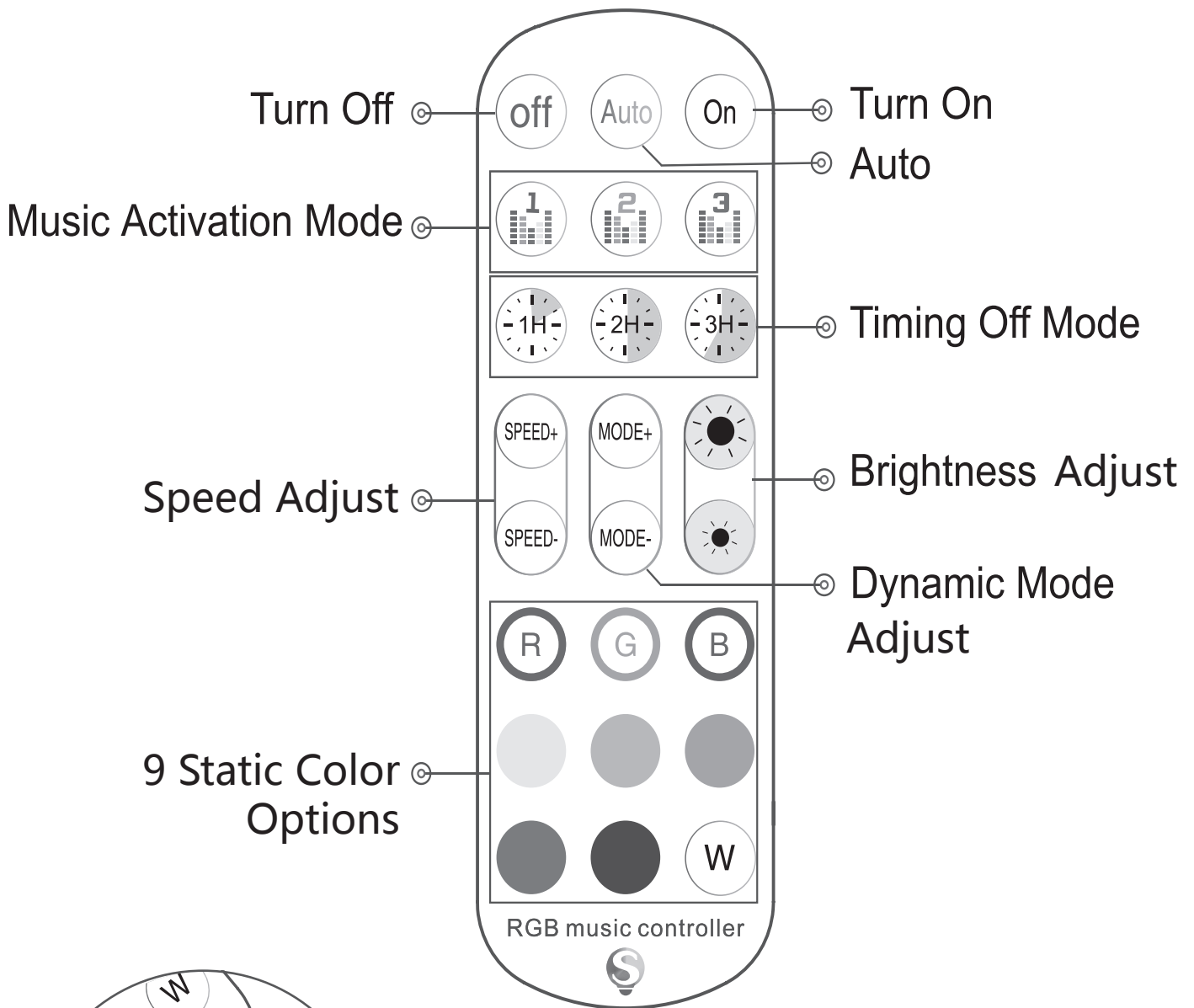
3. Use APP to connect lighting devices by following the provided.



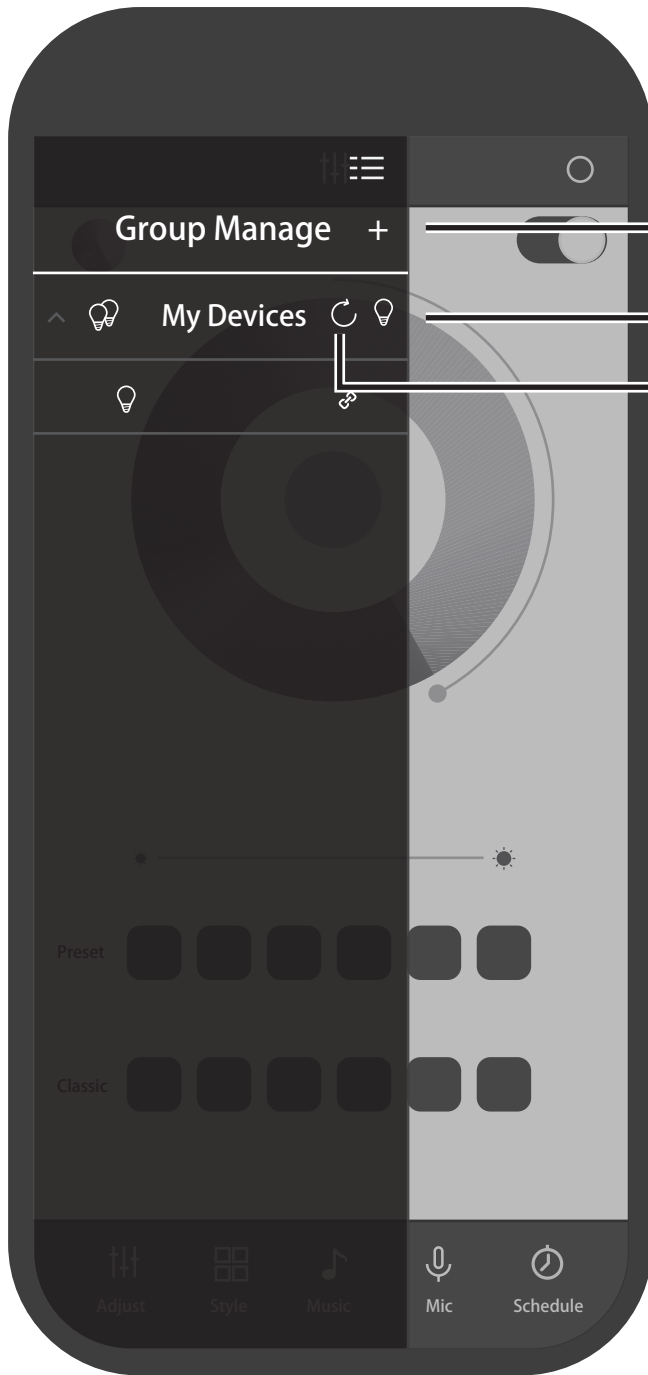
WARNING

- ★ DO NOT IMMERSE IN FIRE
- ★ CHILDREN UNDER THE AGE OF 16 SHOULD USE THIS PRODUCT UNDER ADULT SUPERVISION.

Music Remote(Advanced Version)



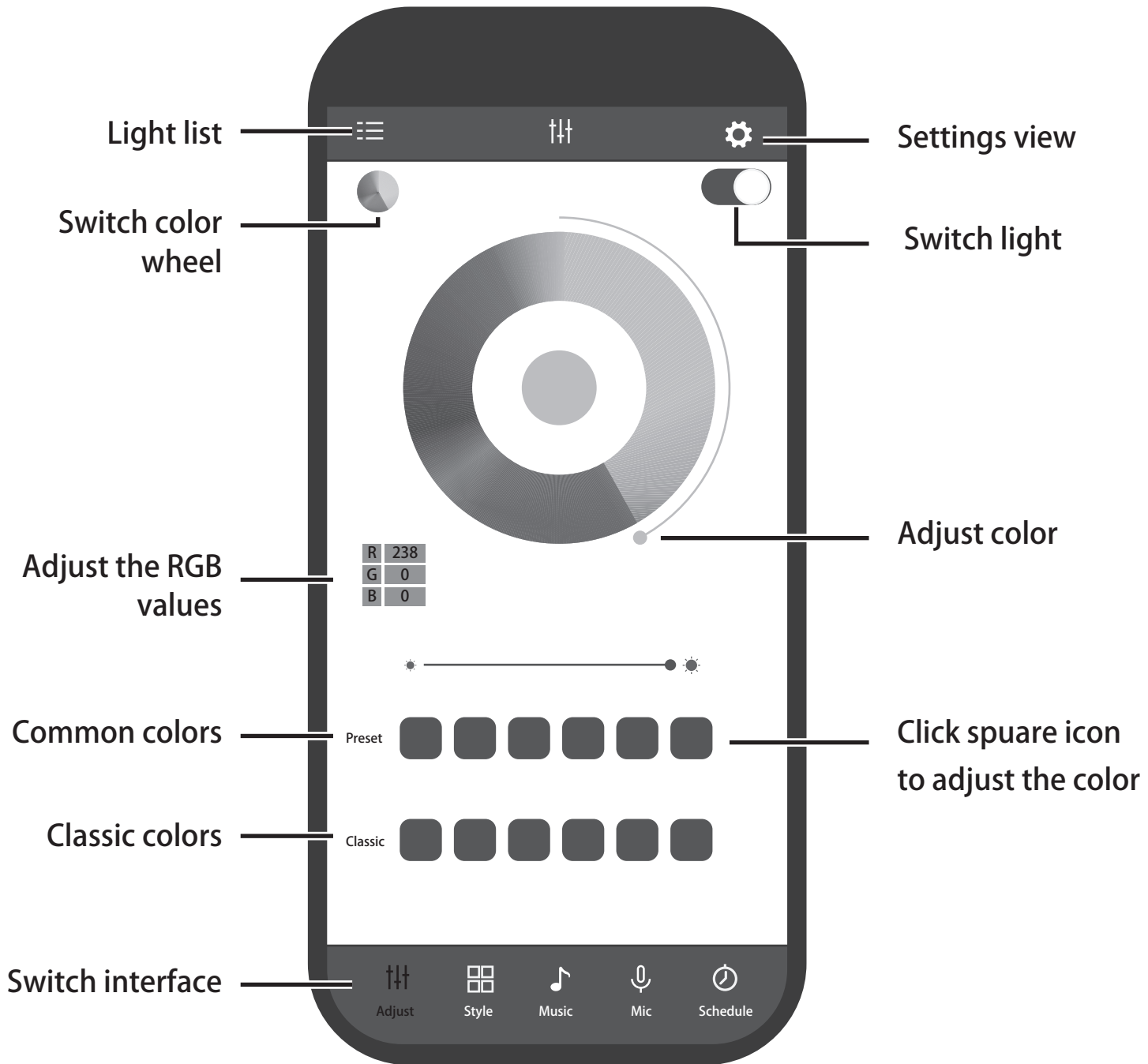
Install the battery after removing the plastic part.

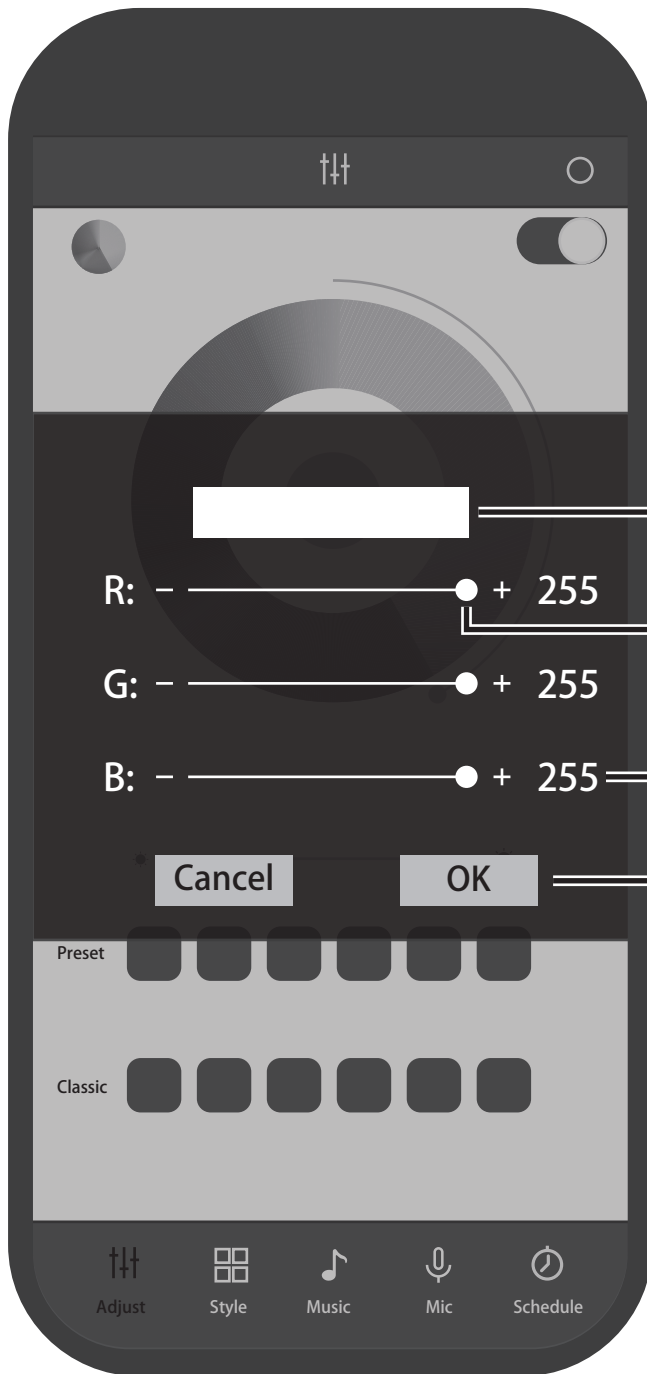


Group management

Select devices

Select the most recently connected device



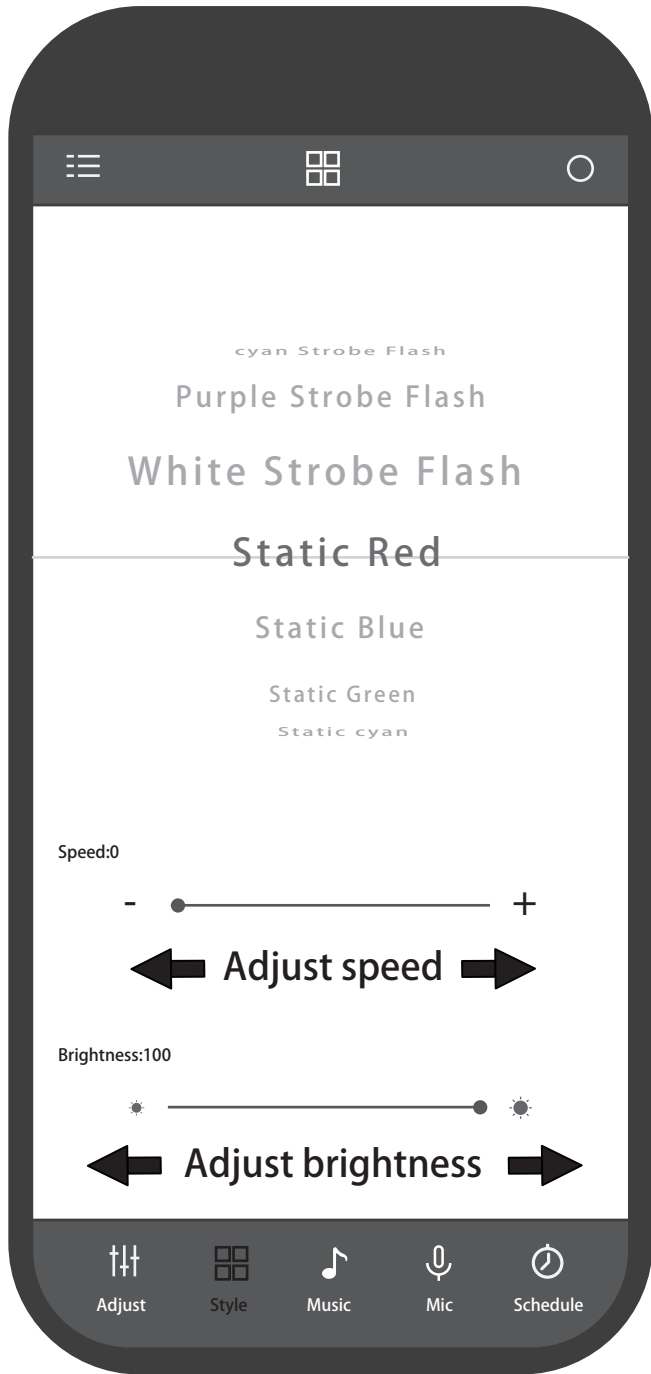


Modified color

Adjust the RGB values separately

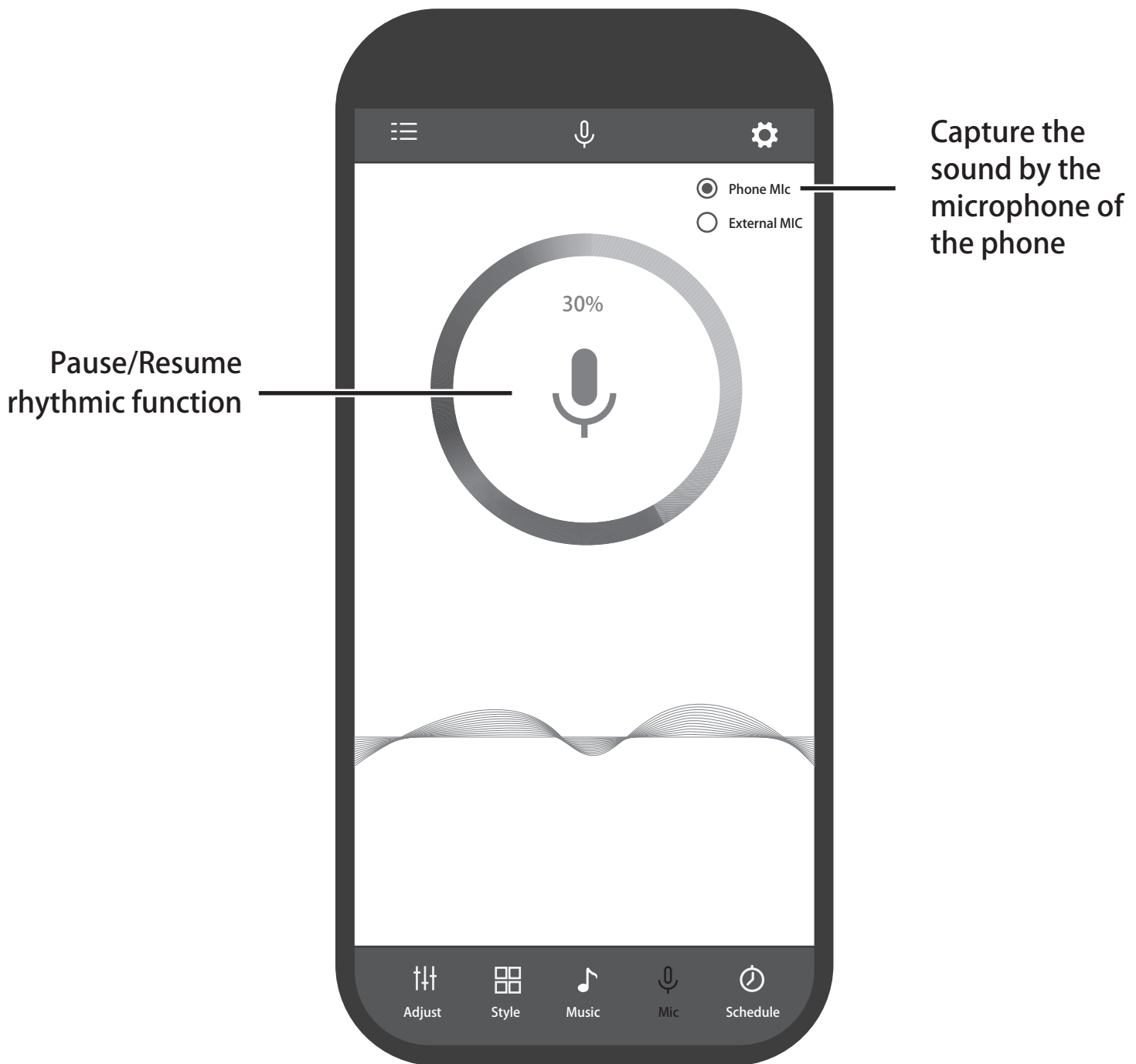
RGB values

Save the new values



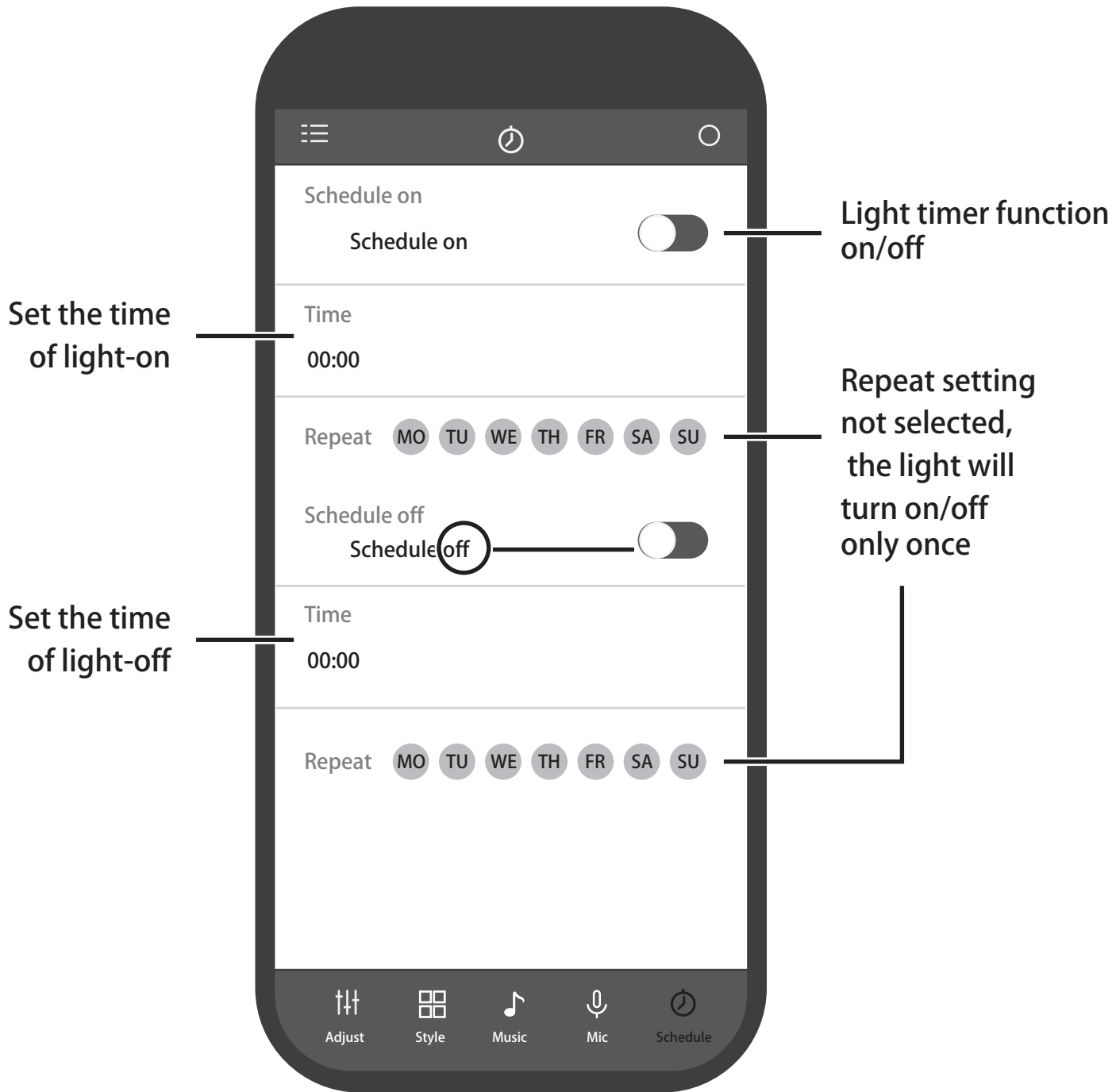
↑
Scroll to
select mode
↓

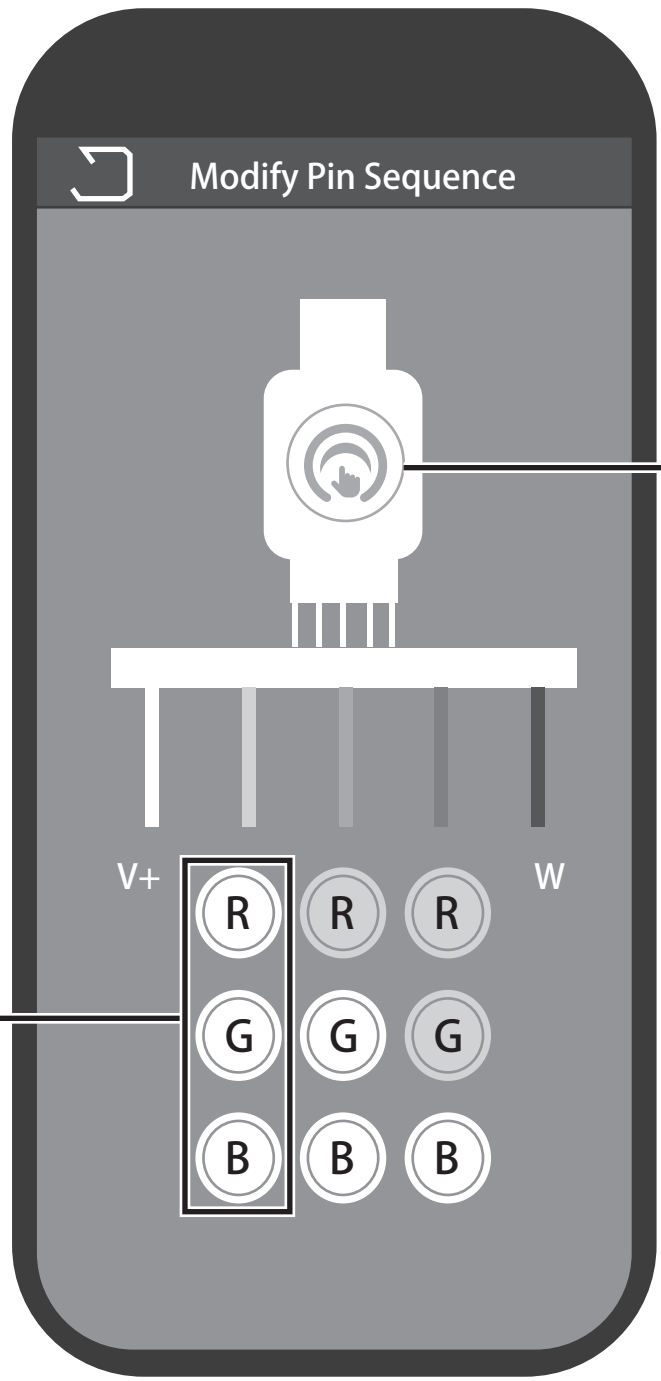




The color changes according to the surrounding sounds.







Save the new settings

Change the color of this line