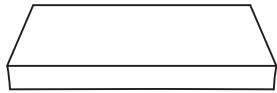


### USE AND MAINTENANCE

- Use on level surfaces only
- Because this product needs assembly, it is prone to working itself loose from time to time depending on the use. Please take the time to check that all connections are still tight and working properly for safety.
- Only clean using a damp cloth and mild detergent, do not use bleach or abrasive cleaners.

## Button Tufted Sofa

### PART LIST



1 - Sofa Base x1



2 - Left Armrest x1



3 - Right Armrest x1



4 - Sofa Back x1



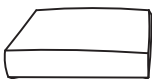
5 - Left Back Attachment x1



6 - Right Back Attachment x1



7 - Back Cushion x3

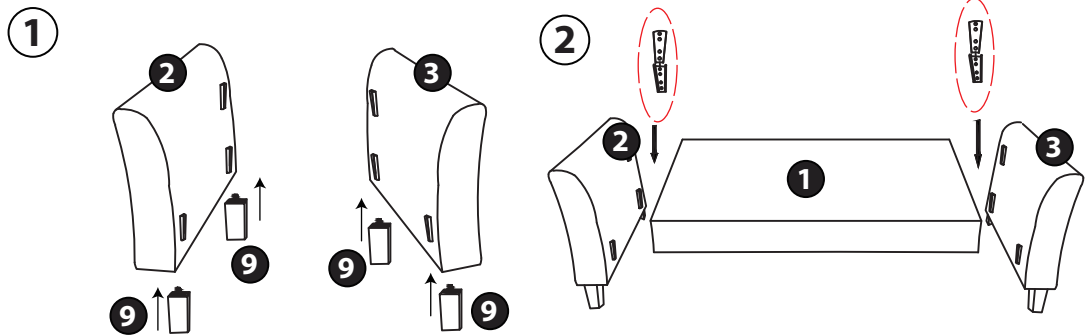


8 - Seat Cushion x3



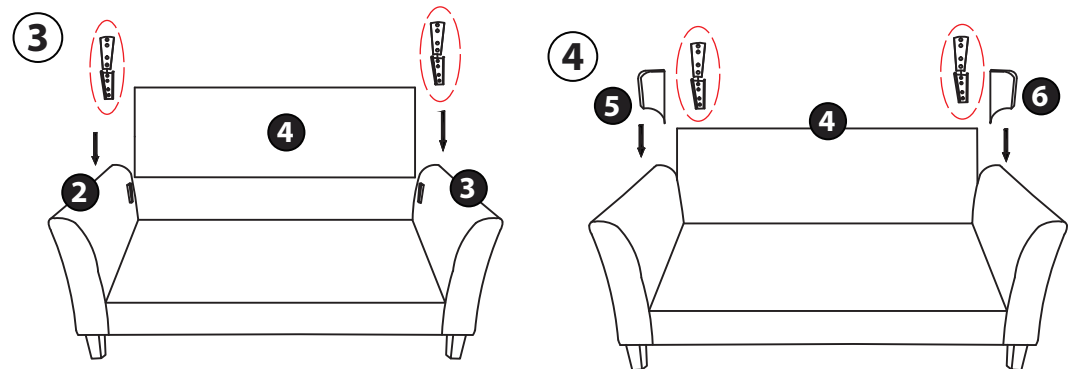
9 - Leg x4

### Assembly Instructions



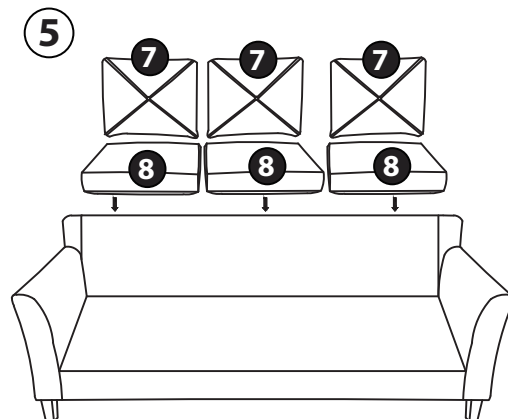
Install 9(x2) into 2. Repeat for the same step to 3.

Slide 2 onto the brackets on the 1. Repeat for 3.

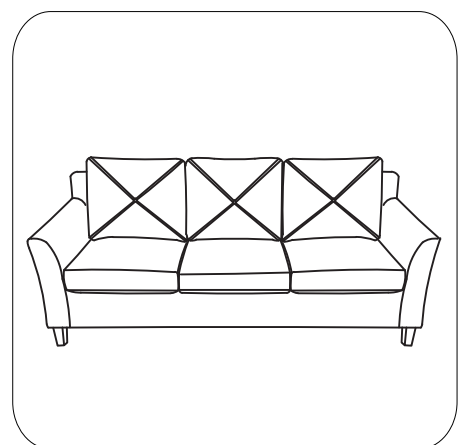


Slide 4 onto the brackets on the 2 and 3.

Slide 5 onto the bracket on the 4. Repeat for 6.



Put the 7(x3) and 8(x3) on the Sofa.



Congratulations! Setup of your new Button Tufted Sofa is Complete!  
Keep these instructions for future reference.