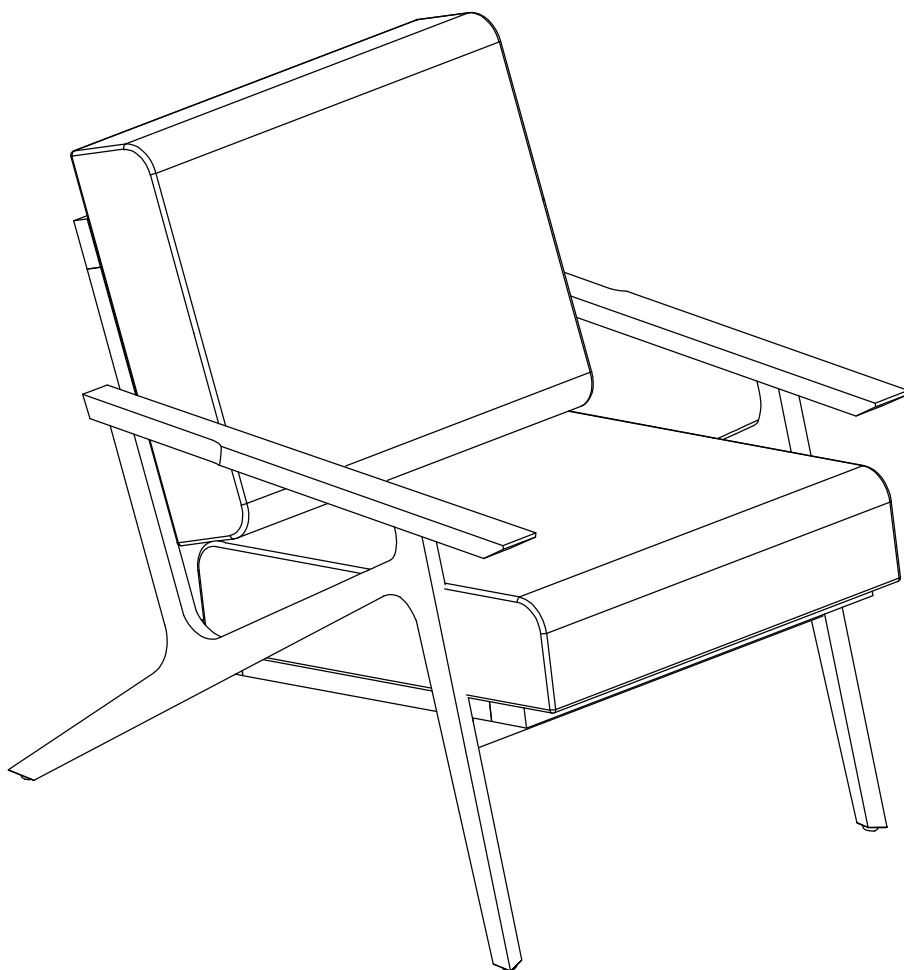


# Assembly Instructions

## LOUNGE CHAIR



# LOUNGE CHAIR

## ASSEMBLY INSTRUCTIONS

Please kindly read these instructions carefully and keep for future reference. Refer to parts inventory for guidance, and ensure you have all pieces before starting.

When assembling, place all parts on a soft, clean, and flat surface such as a carpet to prevent scratches.

If you're having difficulty, our friendly Customer Care team is always here to help.



15 min

TIME



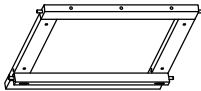
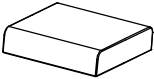
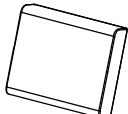







4 OF PEOPLE



2

DIFFICULTY

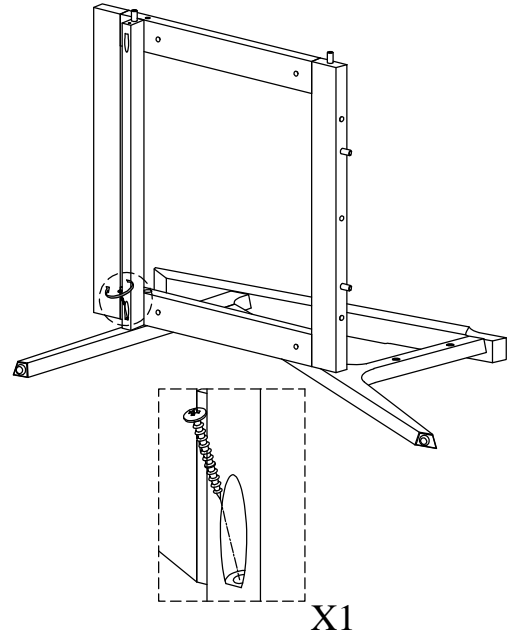
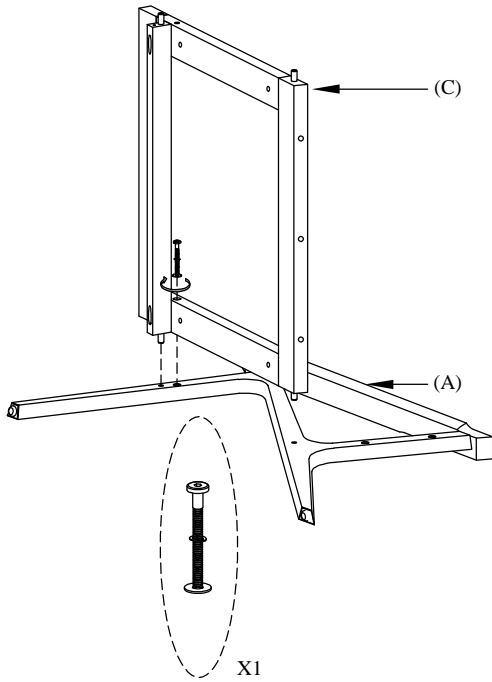
PART LIST		
ID	DESCRIPTION	QTY
(A)	 Frame Leg	2 pcs
(B)	 Back Frame	1 pc
(C)	 Seat Frame	1 pc
(D)	 Seat Cushion	1 pc
(E)	 Back Cushion	1 pc

HARDWARE LIST		
	Screw M4x30	6 pcs
	Bolt M6x60	9 pcs
	Spring Washer Ø6.5xØ10	9 pcs
	Flat Washer Ø6.5xØ16	9 pcs
	Allen Key	1 pc

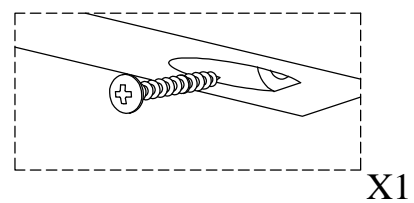
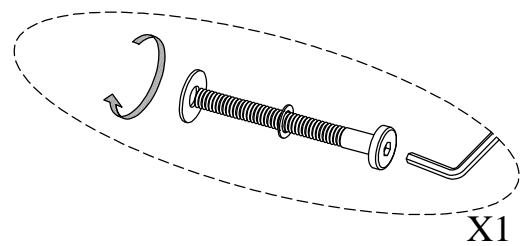
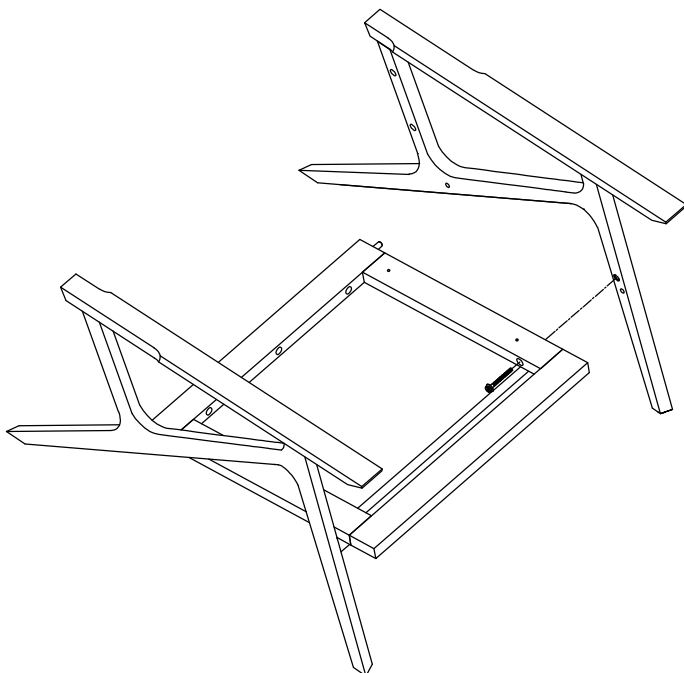
**Note: Make sure you have all the parts and hardware with quantity listed above before assembling the product. A screwdriver is also required (not included)**

# LOUNGE CHAIR

**STEP 1** **NOTE:** DO NOT TIGHTEN ANY BOLT UNTIL ALL THE BOLTS ARE INSERTED PROPERLY

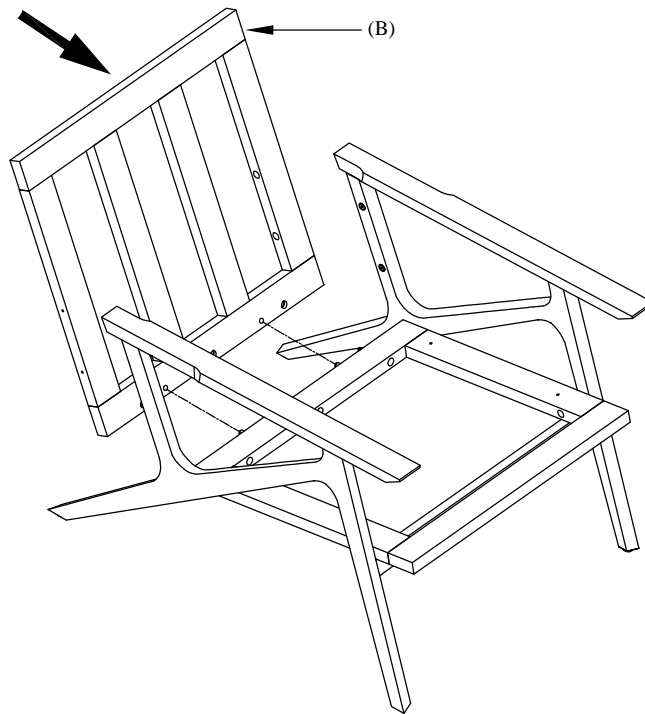


**STEP 2** **NOTE:** DO NOT TIGHTEN ANY BOLT UNTIL ALL THE BOLTS ARE INSERTED PROPERLY

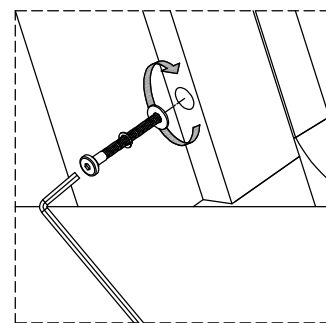
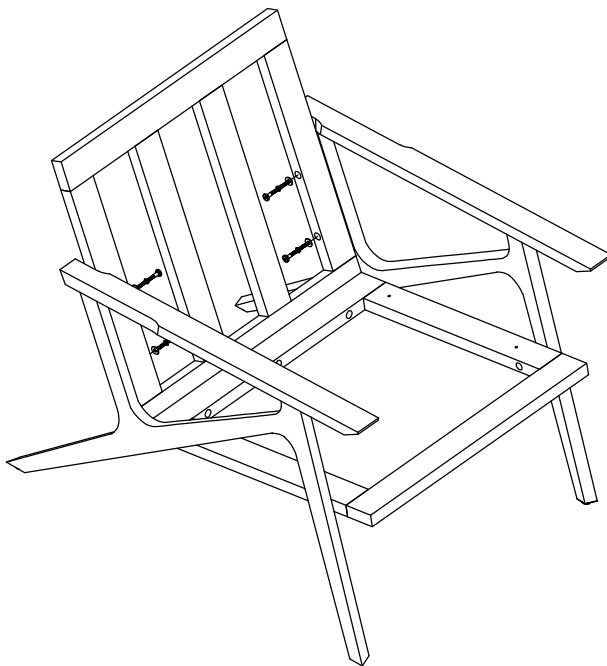


# LOUNGE CHAIR

**STEP 3** Assemble the locating back frame with the seat frame by wooden dowels



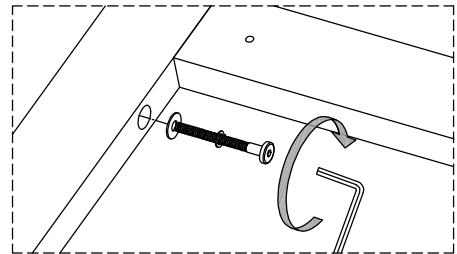
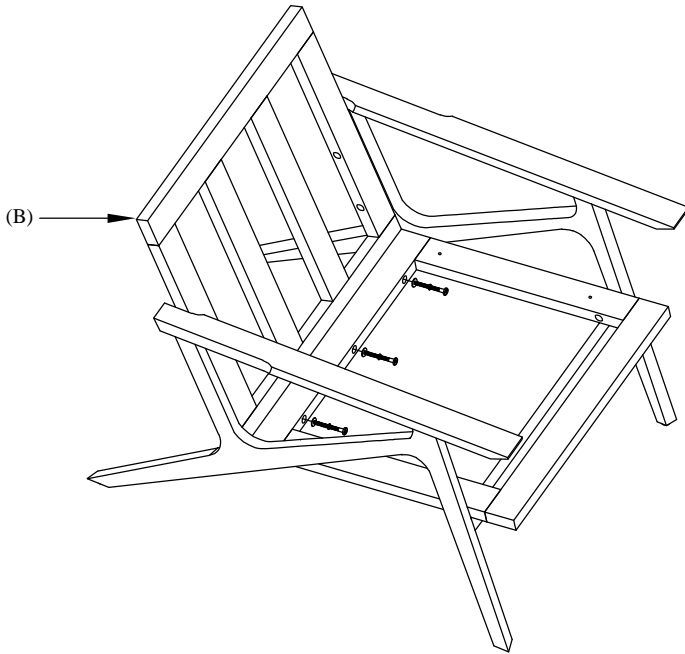
**STEP 4** **NOTE:** DO NOT TIGHTEN ANY BOLT UNTIL ALL THE BOLTS ARE INSERTED PROPERLY



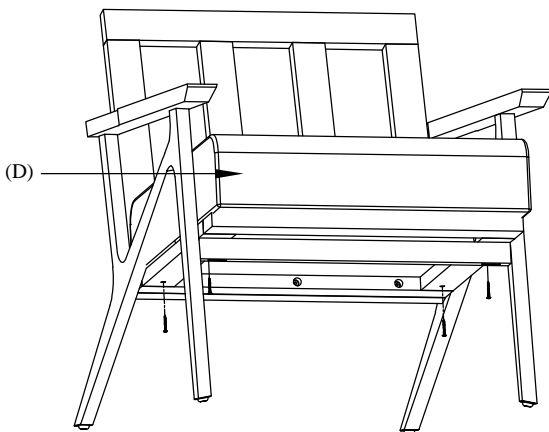
X4

# LOUNGE CHAIR

**STEP 5** **NOTE:** DO NOT TIGHTEN ANY BOLT UNTIL ALL THE BOLTS ARE INSERTED PROPERLY



**STEP 6**



**STEP 7**  
**FINISHED**

