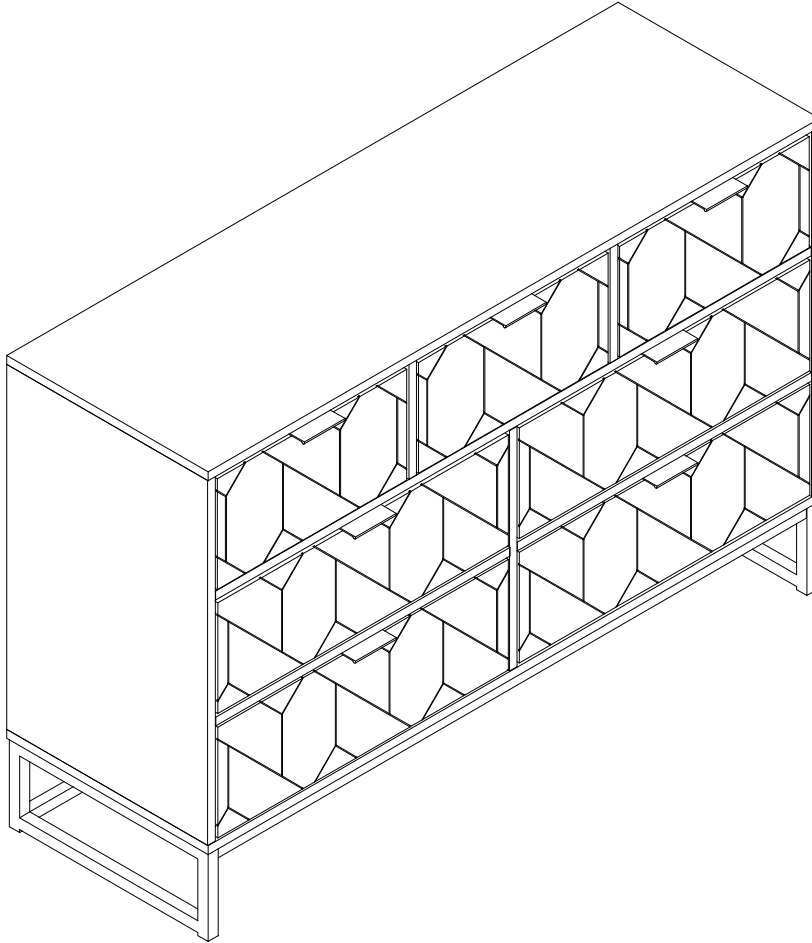


Installation Instruction



7 Drawer Cabinet

Assembling

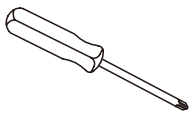
Estimated time for assembly



25 : 00

What you need

- Use the packaging carton as a working surface to prevent product damage during assembly
- Phillips head screwdriver



Weight Limitation



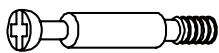
44 | **22**
lbs table top | lbs per shelf

What's included

Code	Description	Qty
A	Cam Bolt M6X35MM	46
B	Cam Lock 15X10MM	46
C	Screw M4X35MM	58
D	Screw M3.5X12MM	84
E	Screw M4X12MM	16
F	Screw M4X40MM	2
G	Bolt M6X40MM	6
H	Bolt M6X30MM	10
I	Handle	7
J	Wooden Dowel M6X30MM	24
K	Wooden Dowel M6X50MM	2
L	Nylon Strap	2
M	Anchor	2
N	Slide Sets	7
O	Plastic corner support	4
P	Screw M3X14MM	4
Q	Allen Key	1

The Hardwares

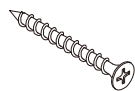
(A)



(B)



(C)



(D)



(E)



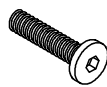
(F)



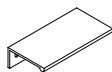
(G)



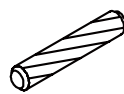
(H)



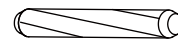
(I)



(J)



(K)



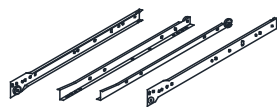
(L)



(M)



(N)



CL DL DR CR

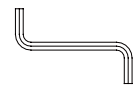
(O)



(P)



(Q)



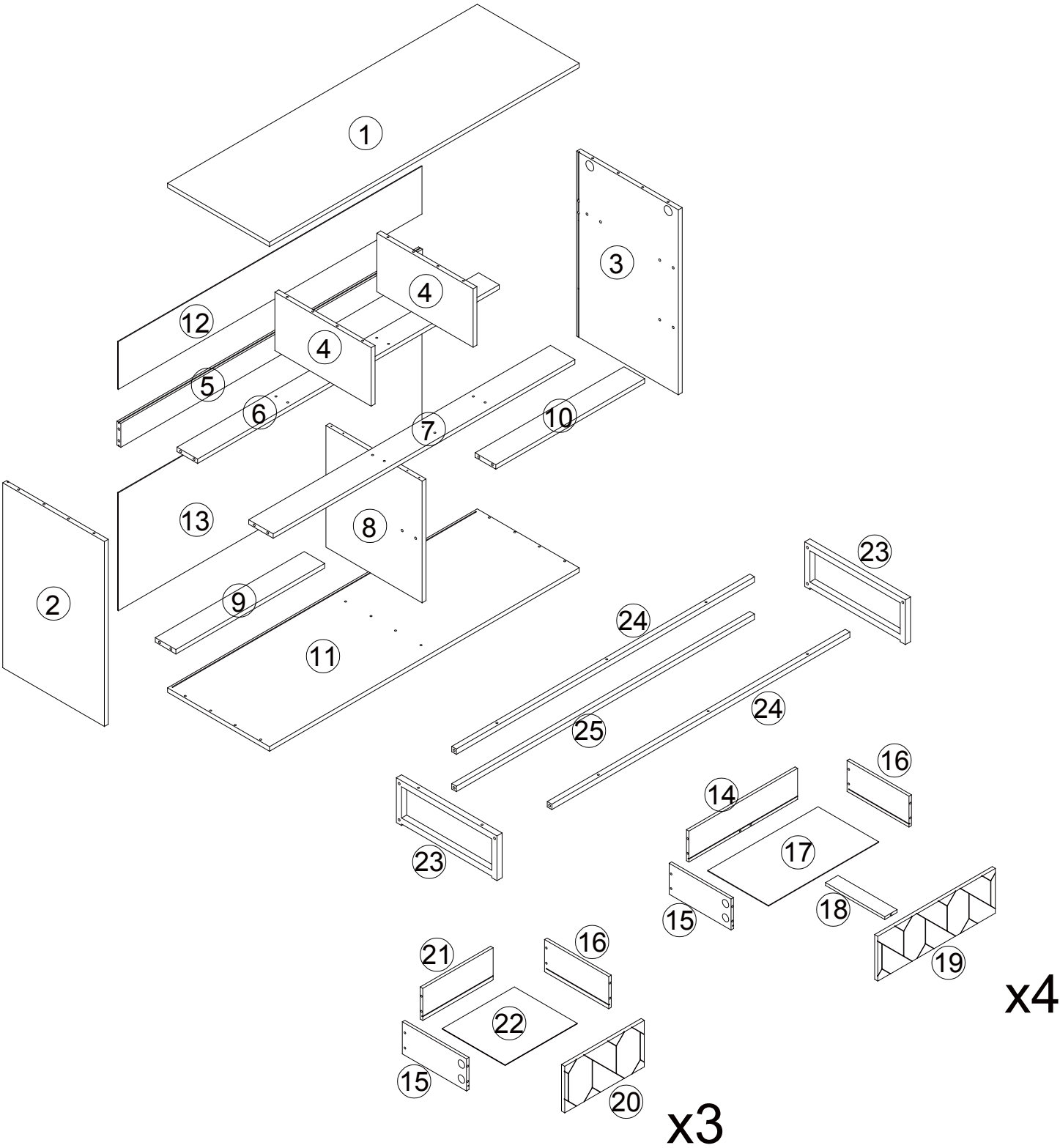
IMPORTANT:

1. Do not tighten bolts / screws completely until all bolts / screws are lined up and inserted into holes.
2. Do not over tighten screws and bolts to avoid stripping.
3. Please use hand tools to assemble this product. Do not use power tools.

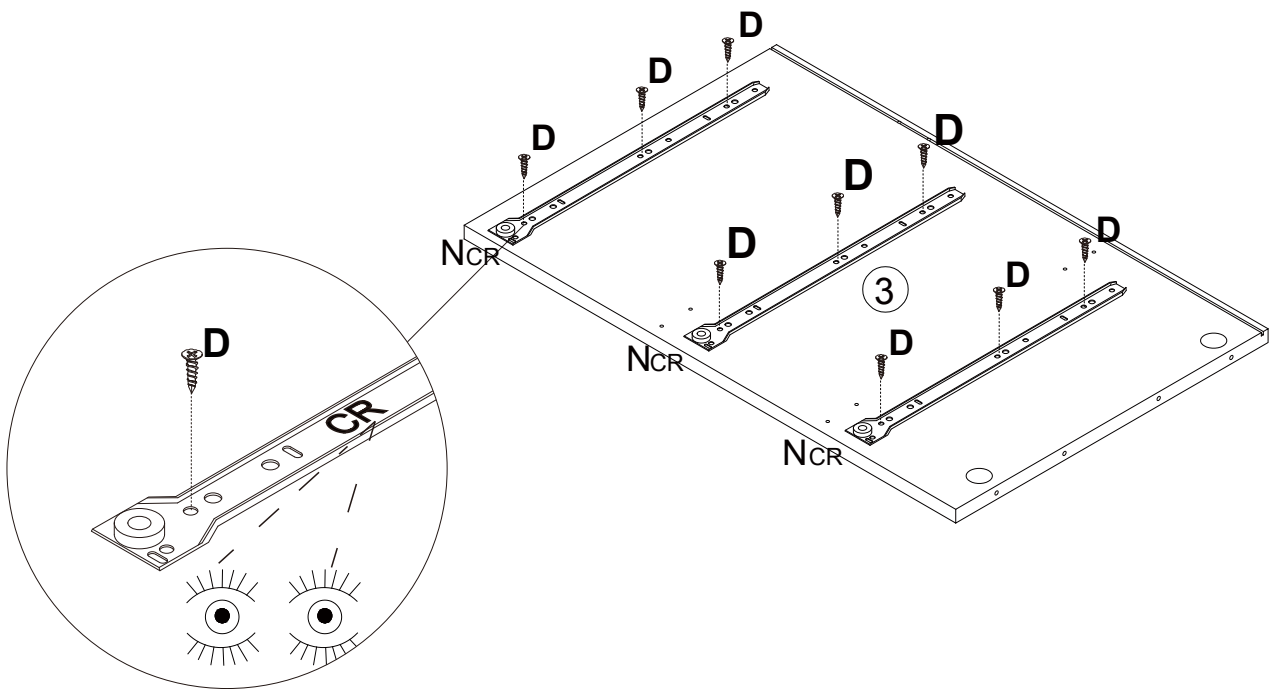
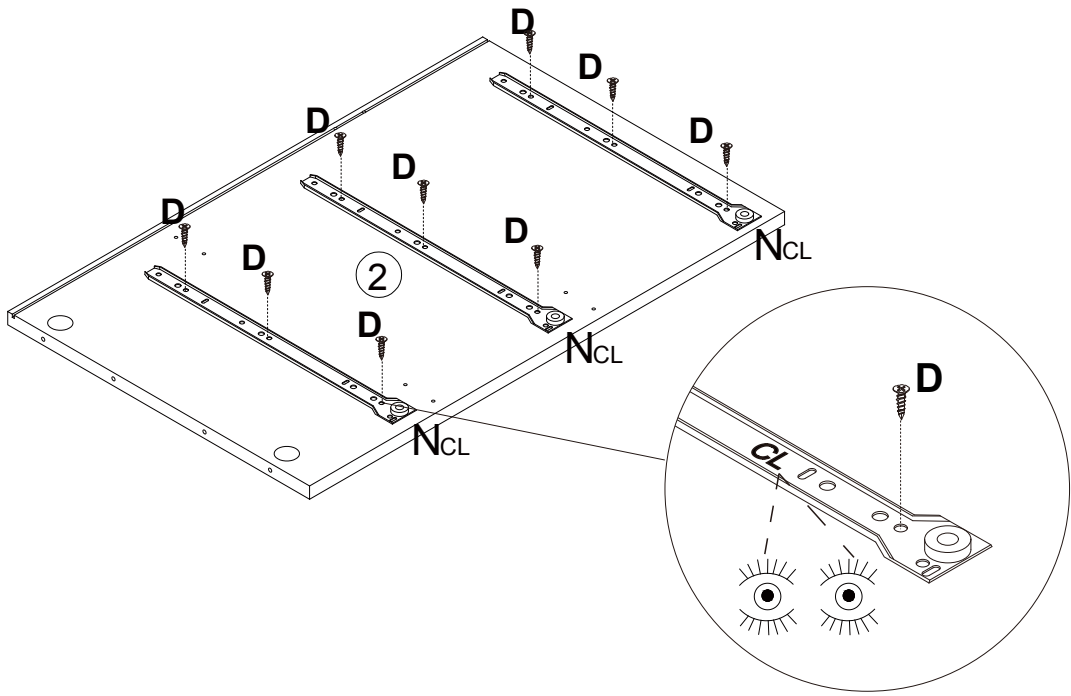
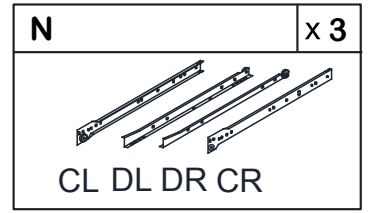
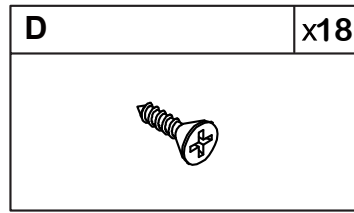
Included Accessories

Code	Description	Qty
1	Cabinet Top	1
2	Left Side Panel	1
3	Right Side Panel	1
4	Top Middle Side Panel	2
5	Back Stretcher	1
6	Back Shelf Support Panel	1
7	Front Shelf Support Panel	1
8	Bottom Middle Side Panel	1
9	Left Drawer Front Panel	1
10	Right Drawer Front Panel	1
11	Bottom Panel	1
12	Top Back Panel	1
13	Bottom Back Panel	1
14	Large Drawer Back Panel	4
15	Drawer Left Side Panel	7
16	Drawer Right Side Panel	7
17	Large Drawer Bottom Panel	4
18	Large Drawer Support Panel	4
19	Large Drawer Front Panel	4
20	Small Drawer Front Panel	3
21	Small Drawer Back Panel	3
22	Small Drawer Bottom Panel	3
23	Side Frame	2
24	Top Metal Stretcher	2
25	Bottom Metal Stretcher	1

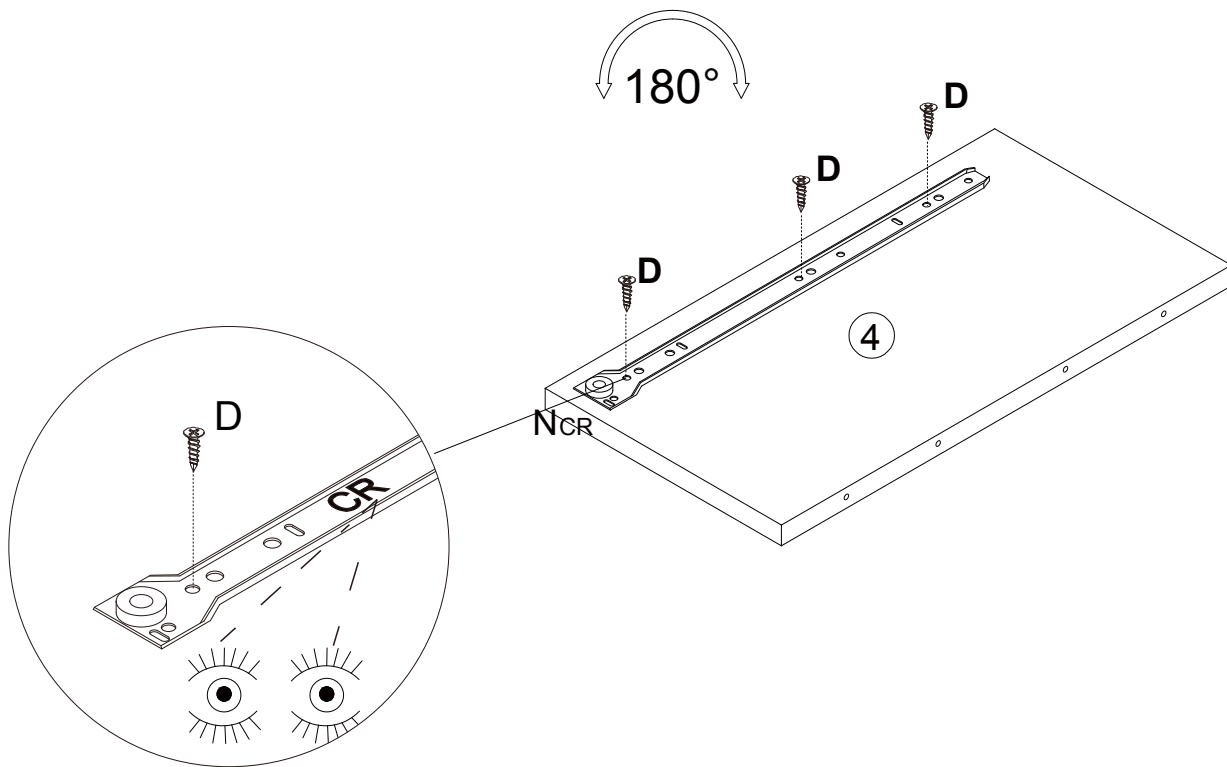
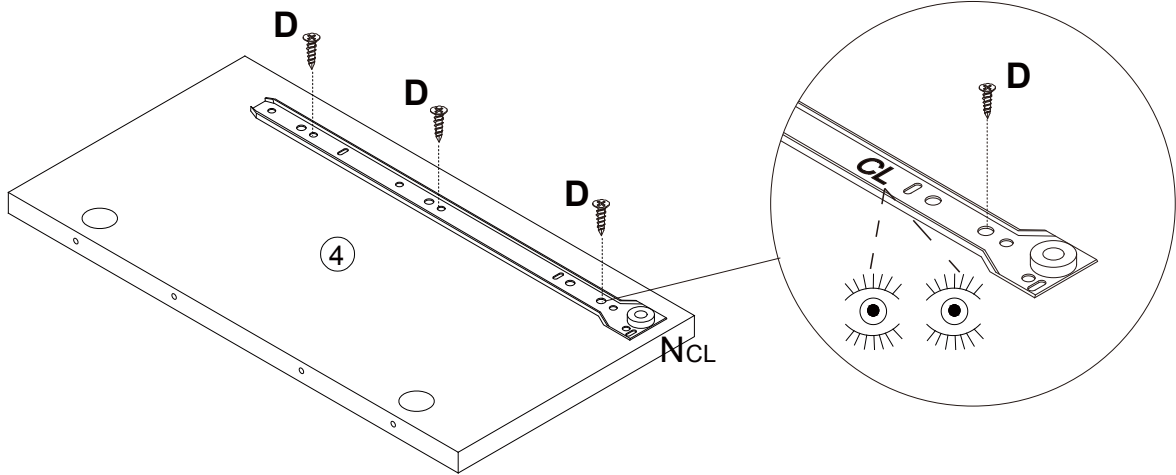
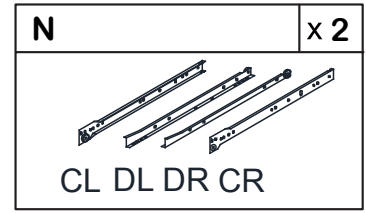
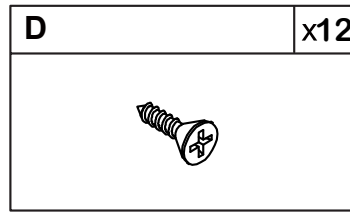
The Accessoriess



Step 1

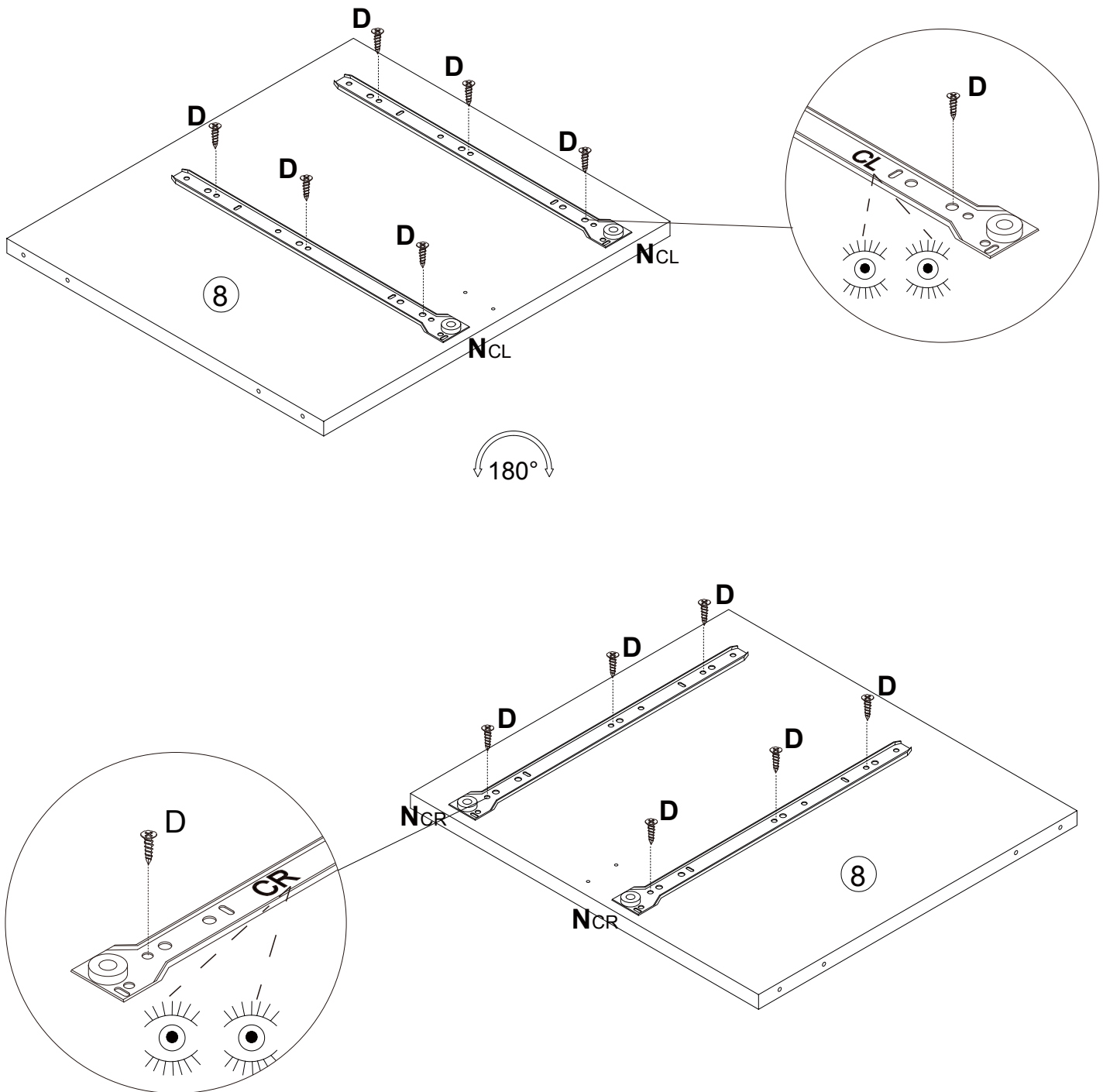
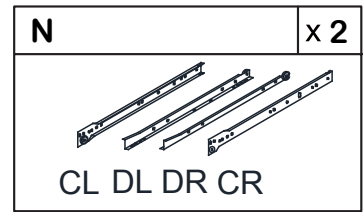
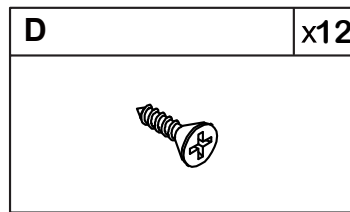


Step 2

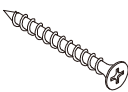


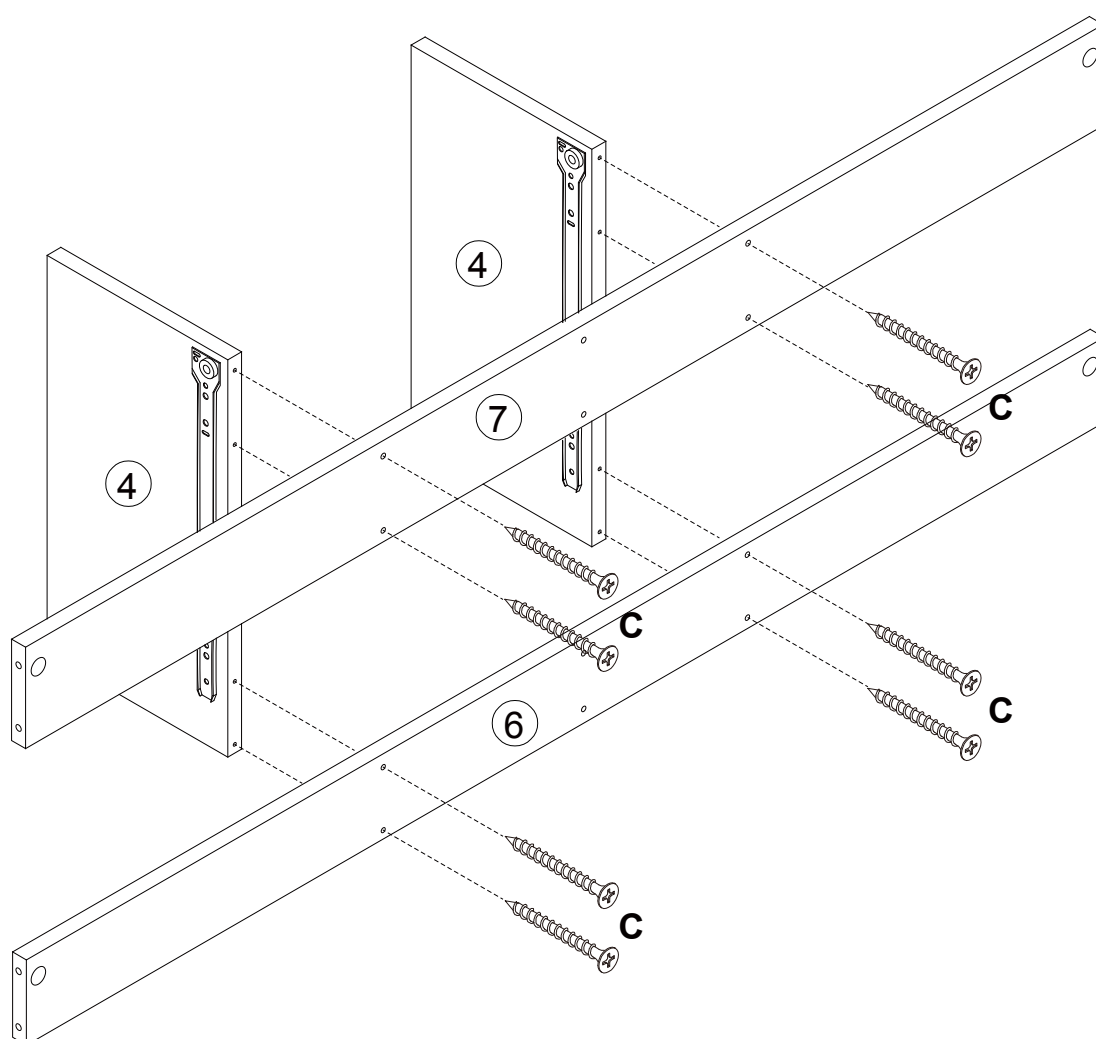
x2

Step 3

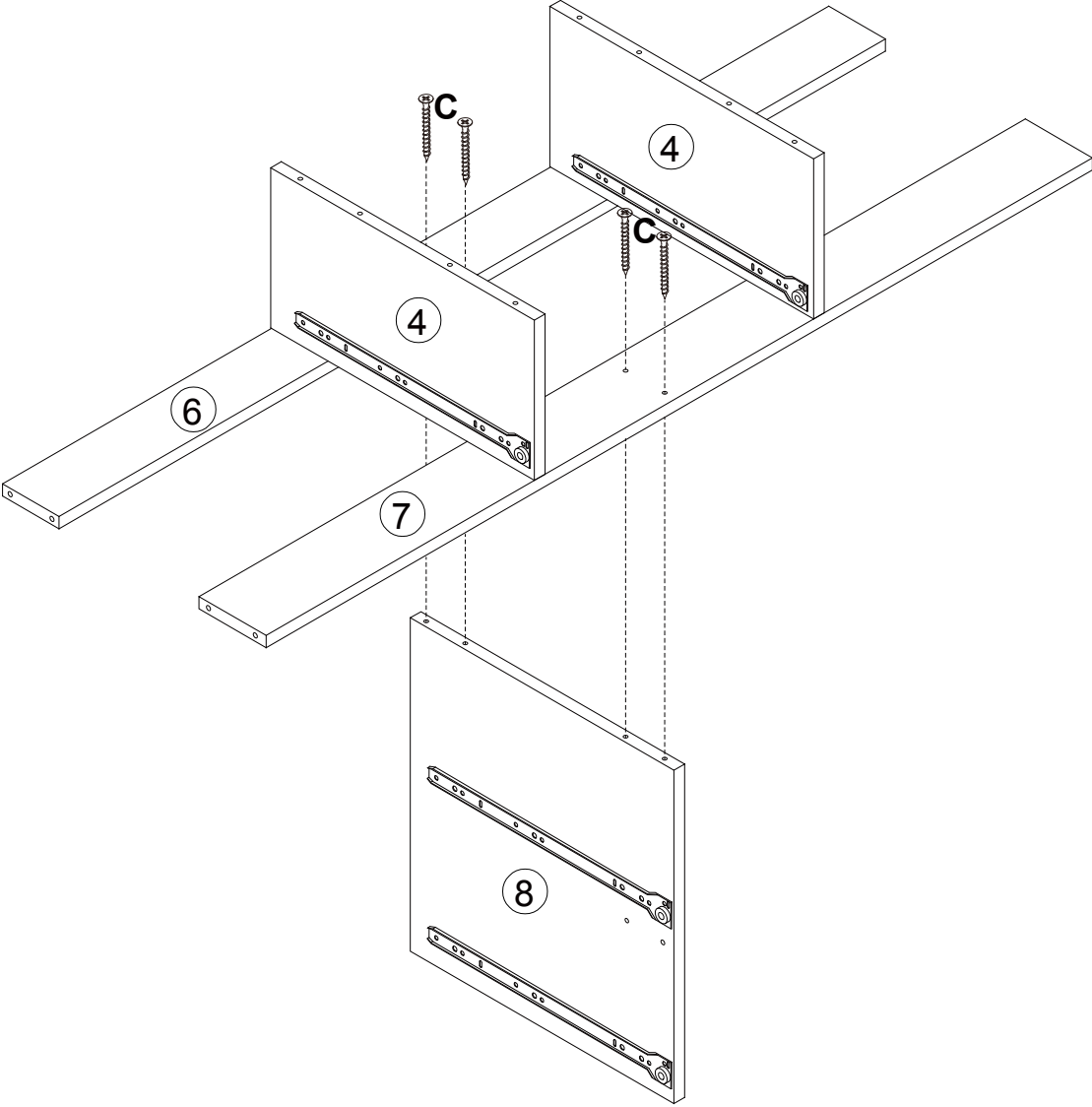
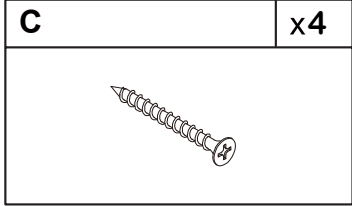


Step 4

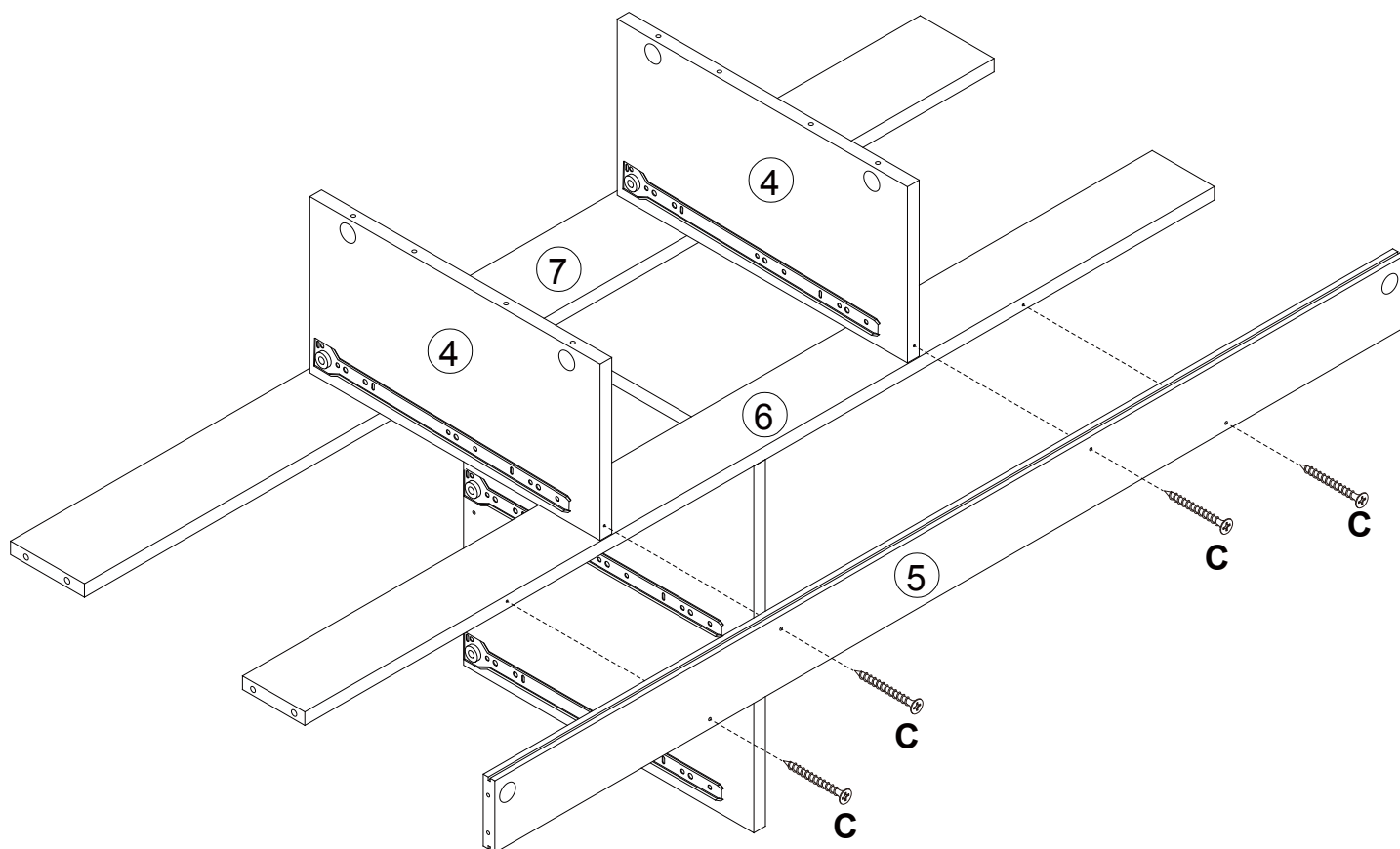
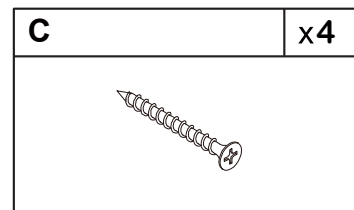
C	x8
	



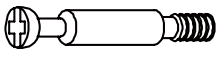

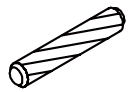
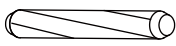
Step 5

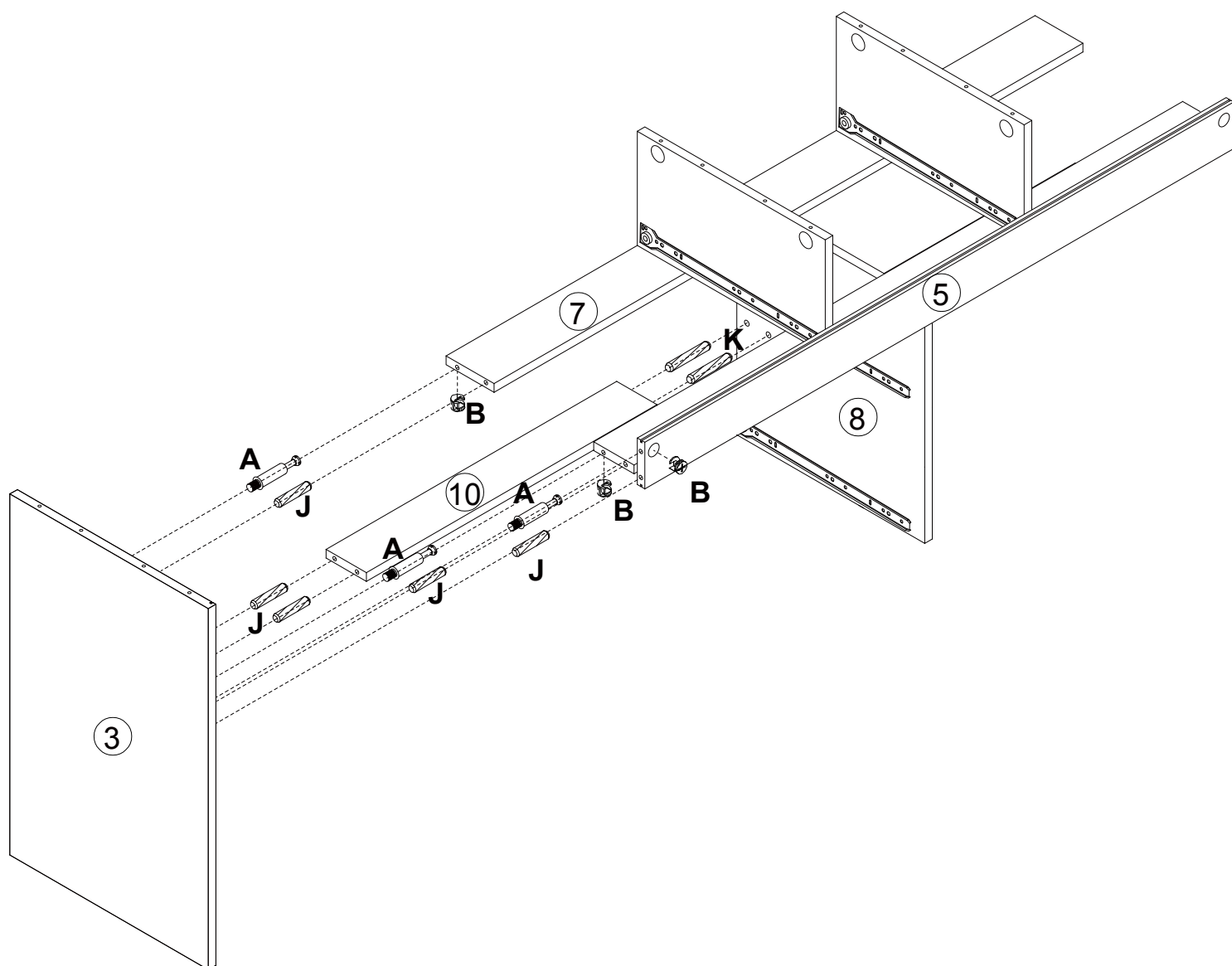


Step 6

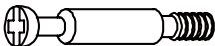

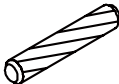


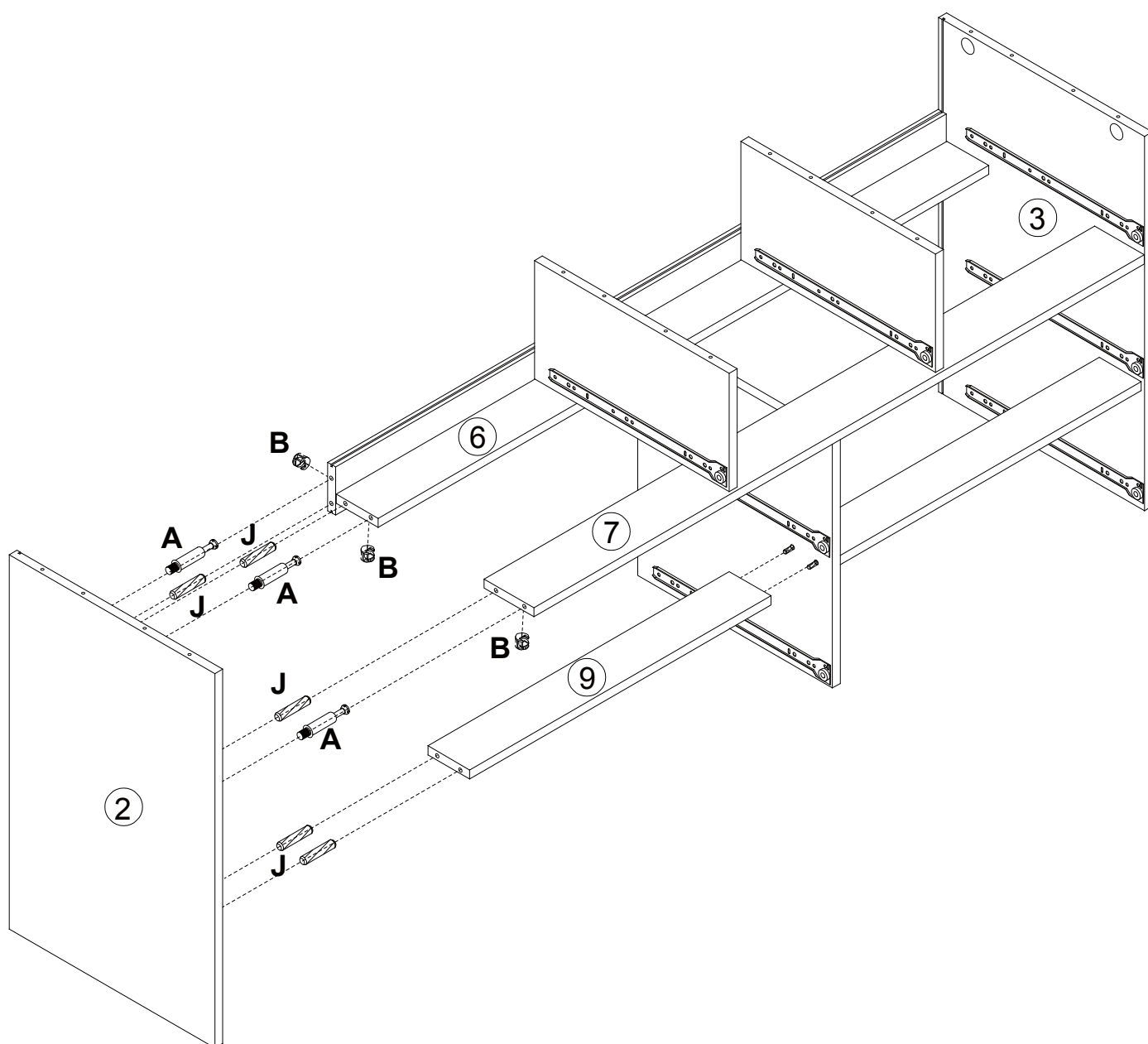
Step 7

A	x3	B	x3
			
J	x5	K	x2
			

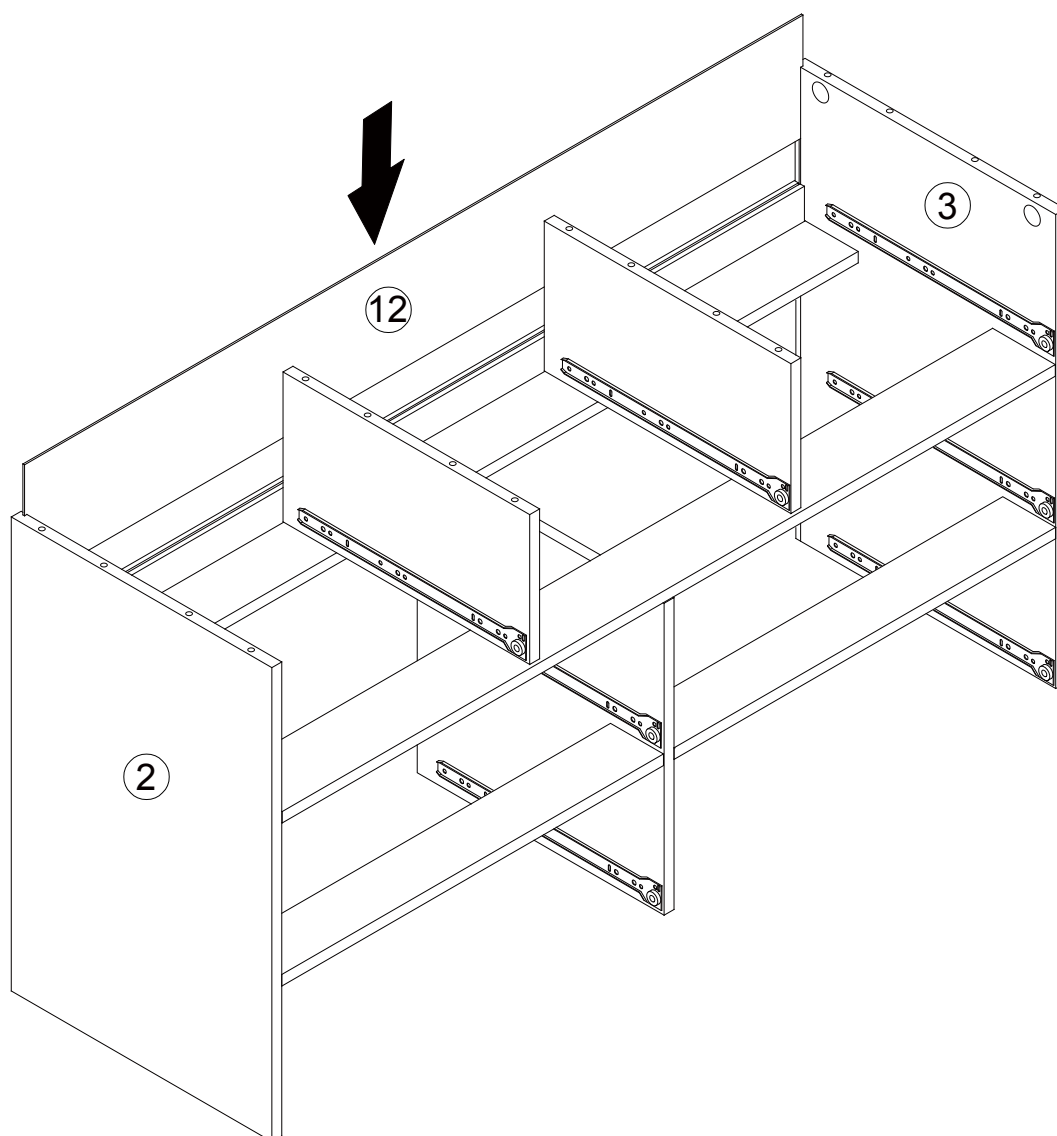


Step 8

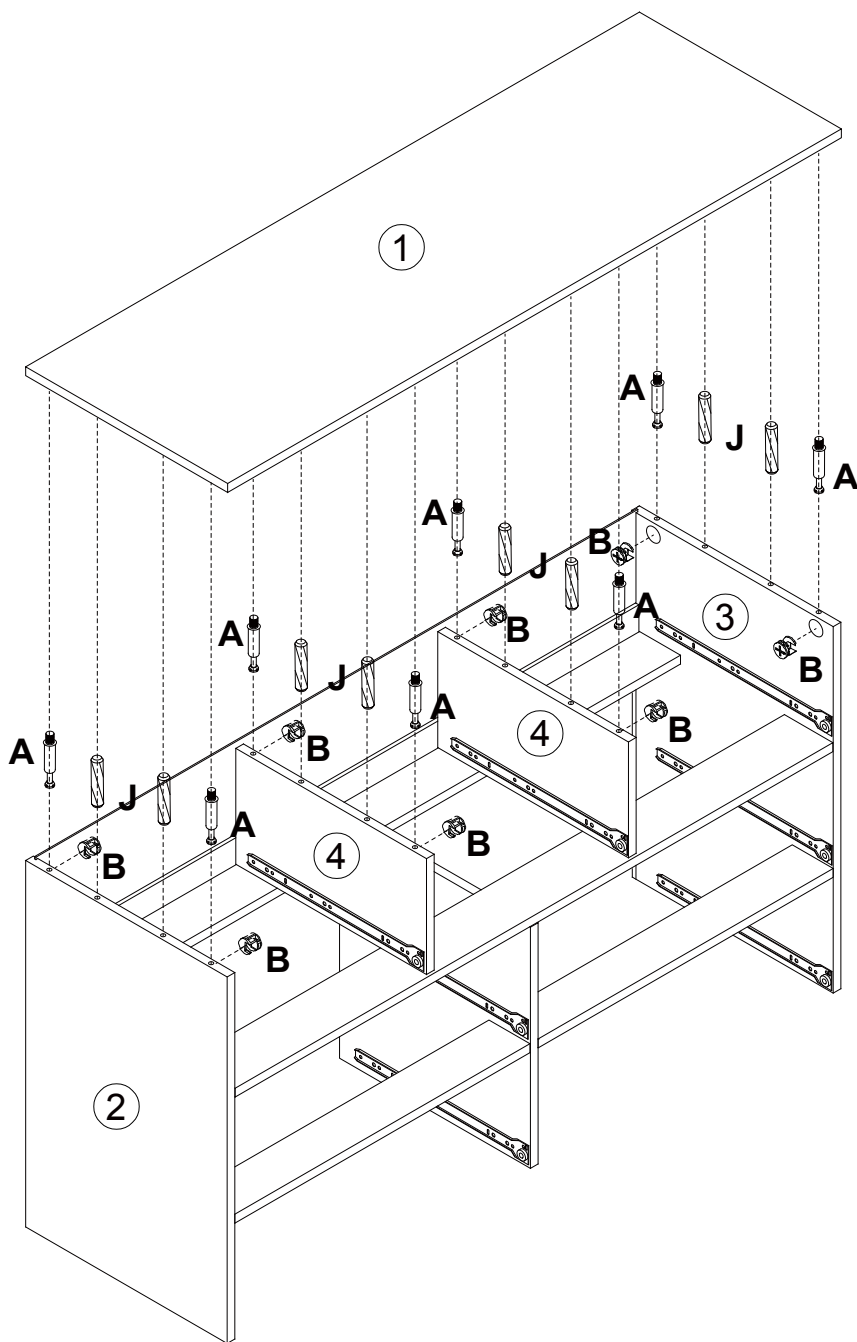
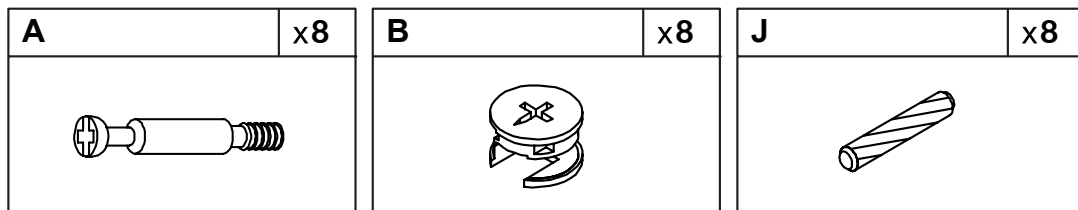
A	x3	B	x3	J	x5
					



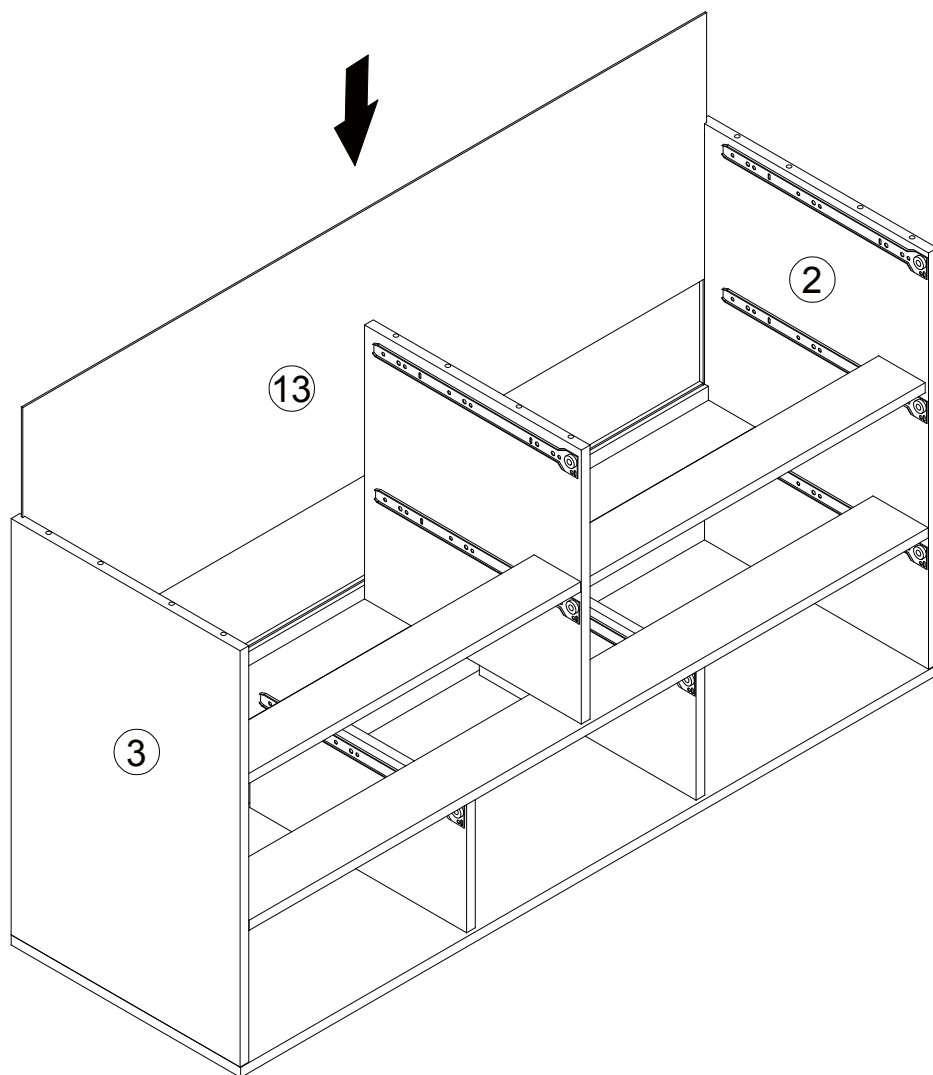
Step 9



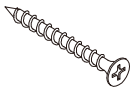
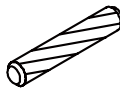
Step 10

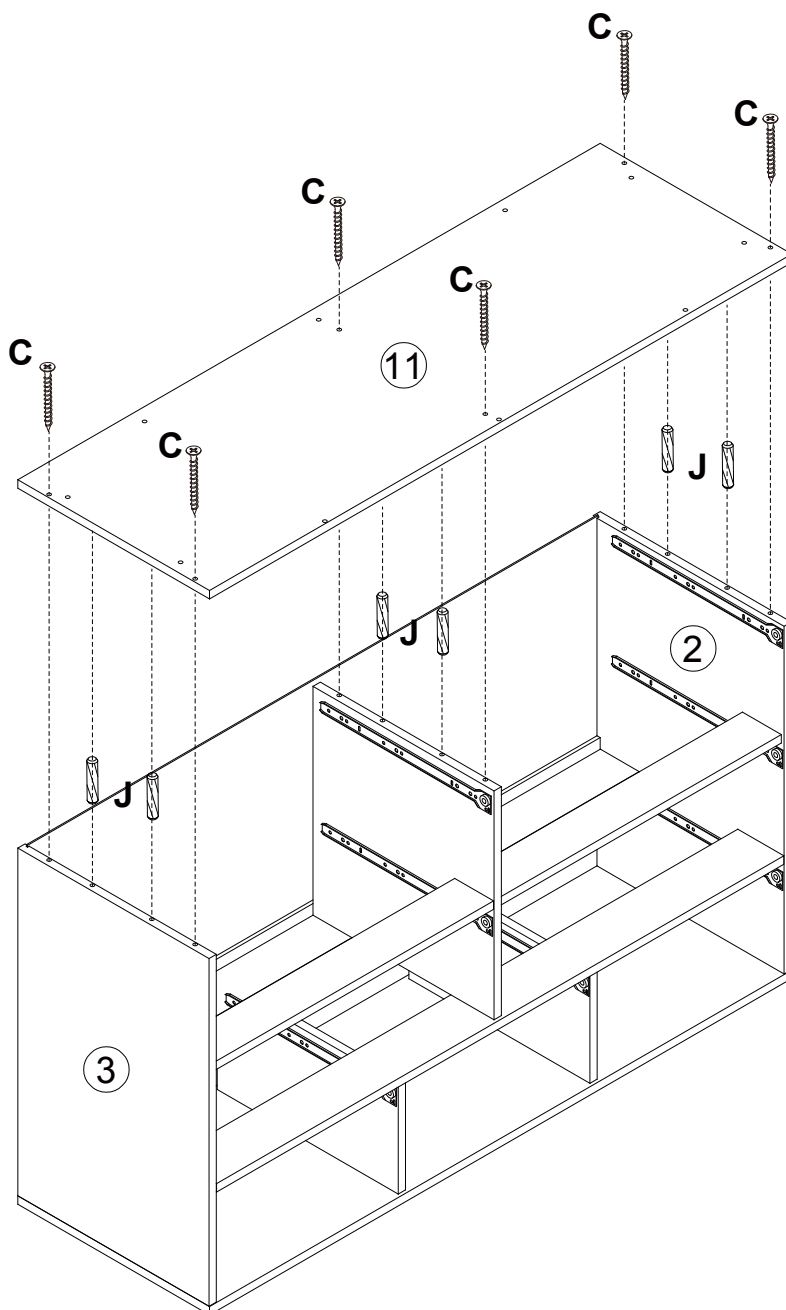


Step 11

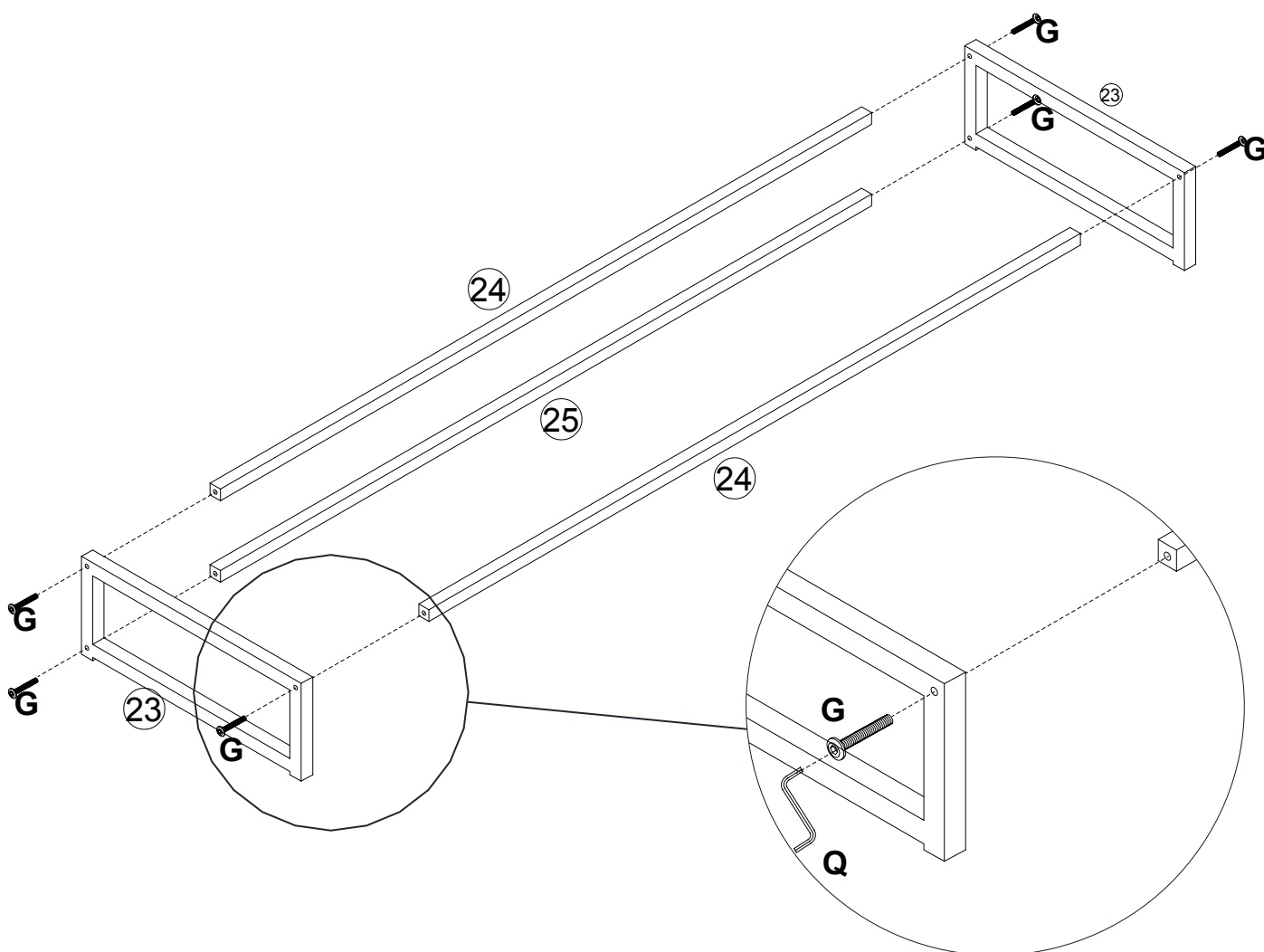
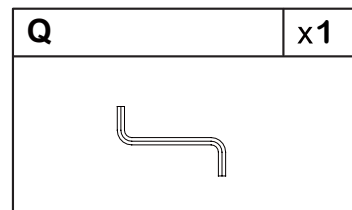
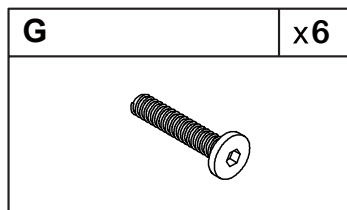


Step 12

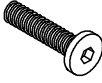
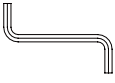
C	x6	J	x6
			

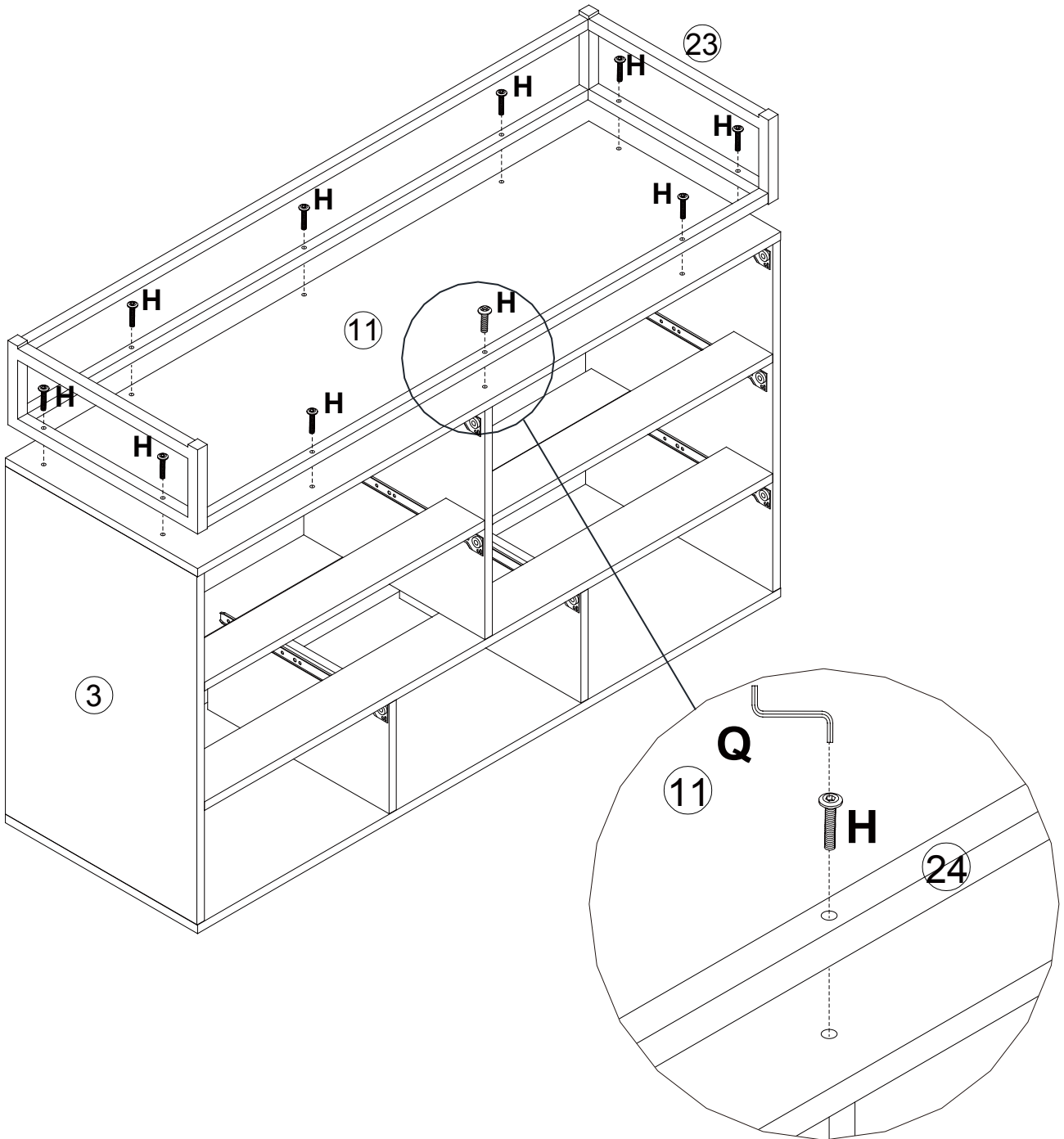


Step 13

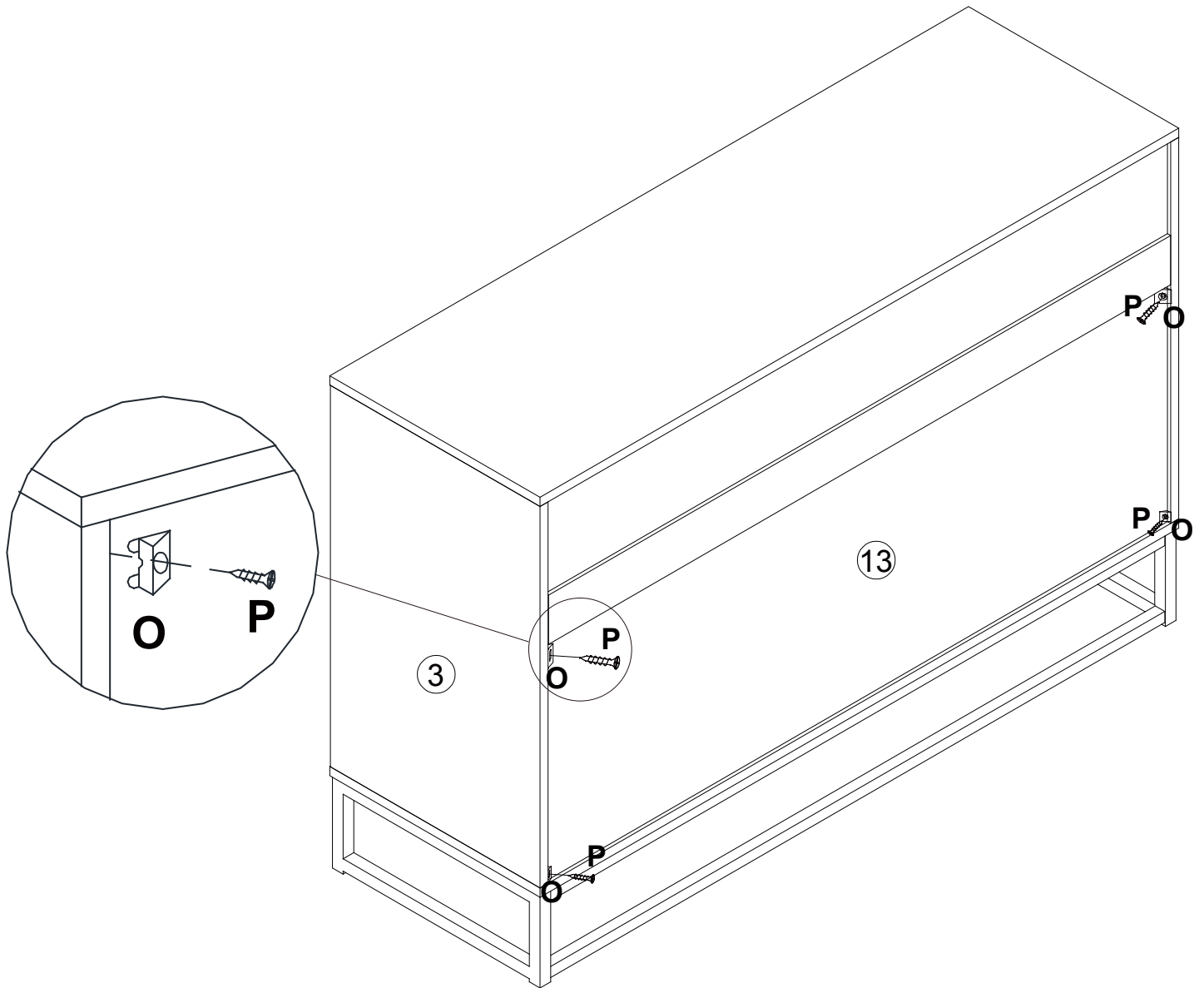
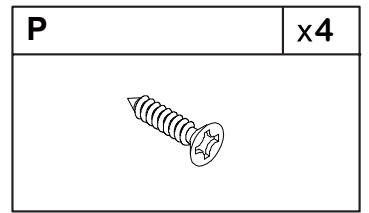
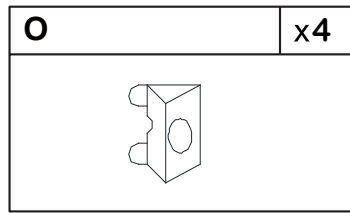


Step 14

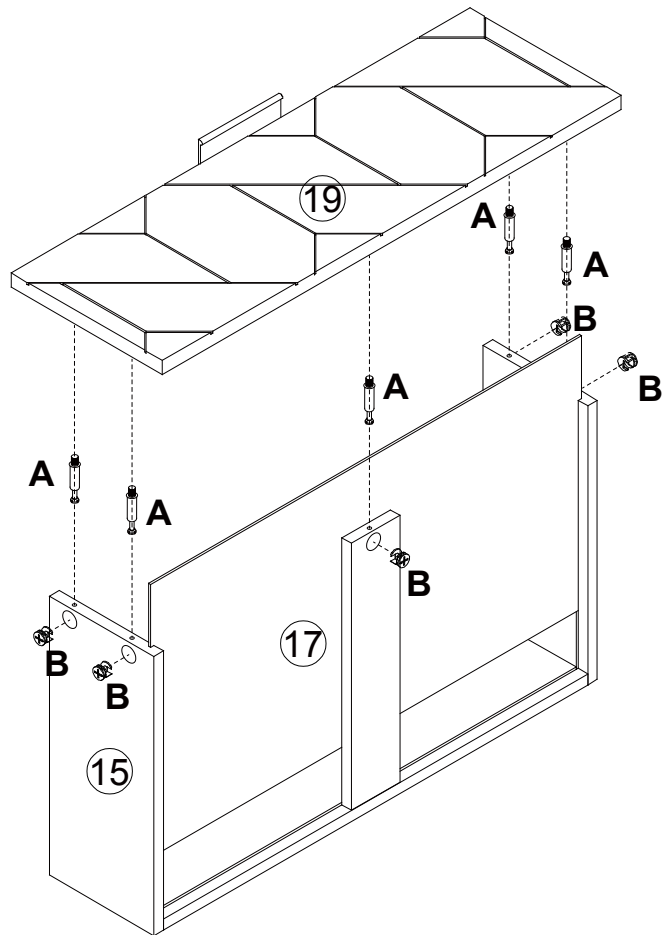
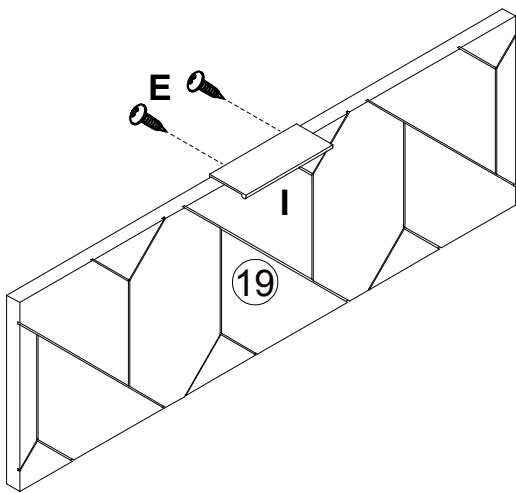
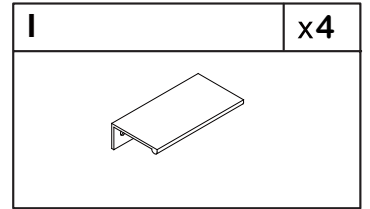
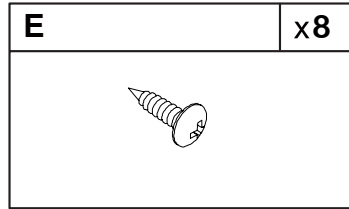
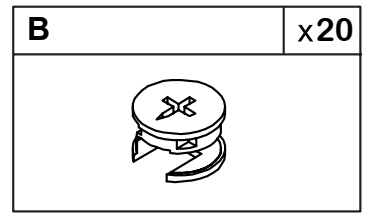
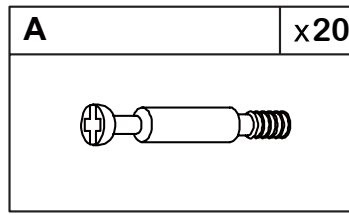
H	x10	Q	x1
			



Step 15

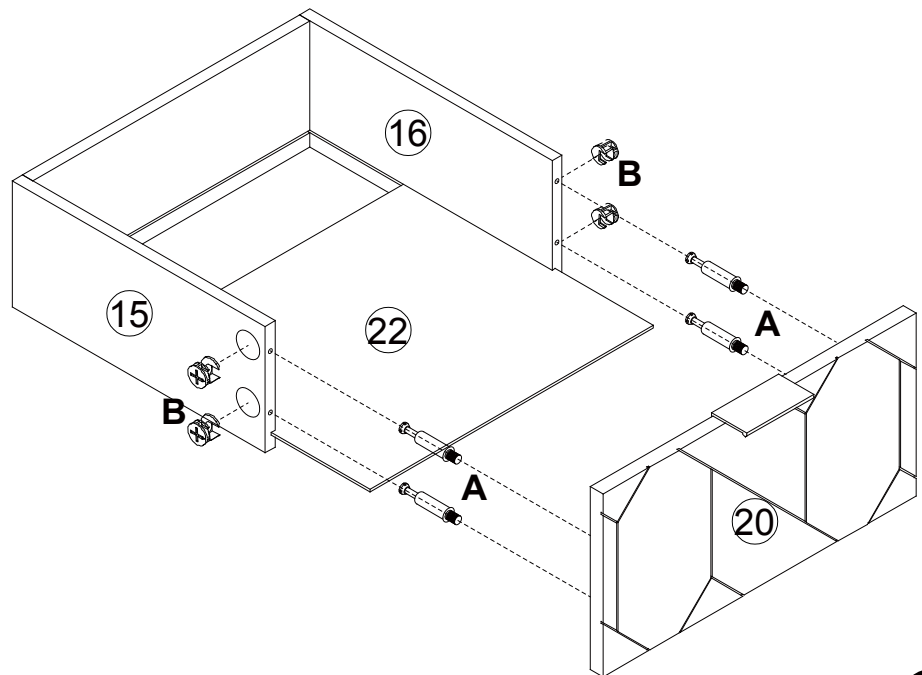
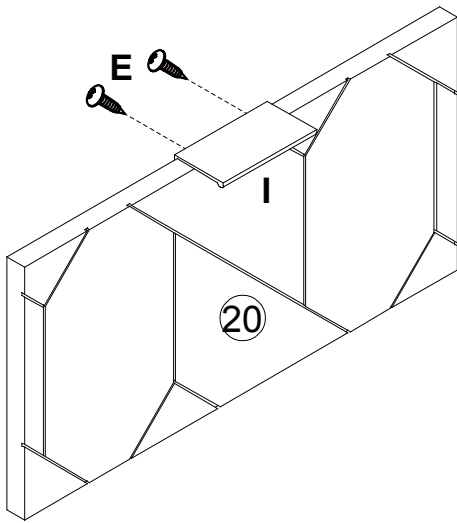
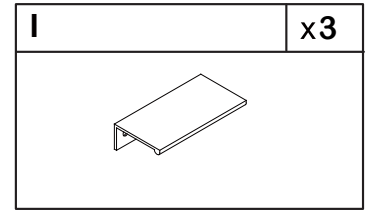
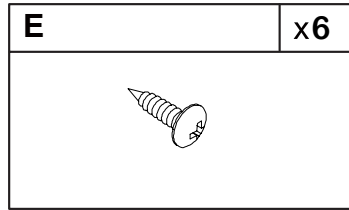
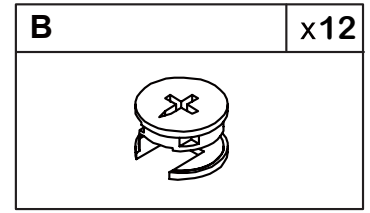
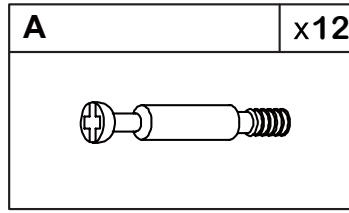


Step 17



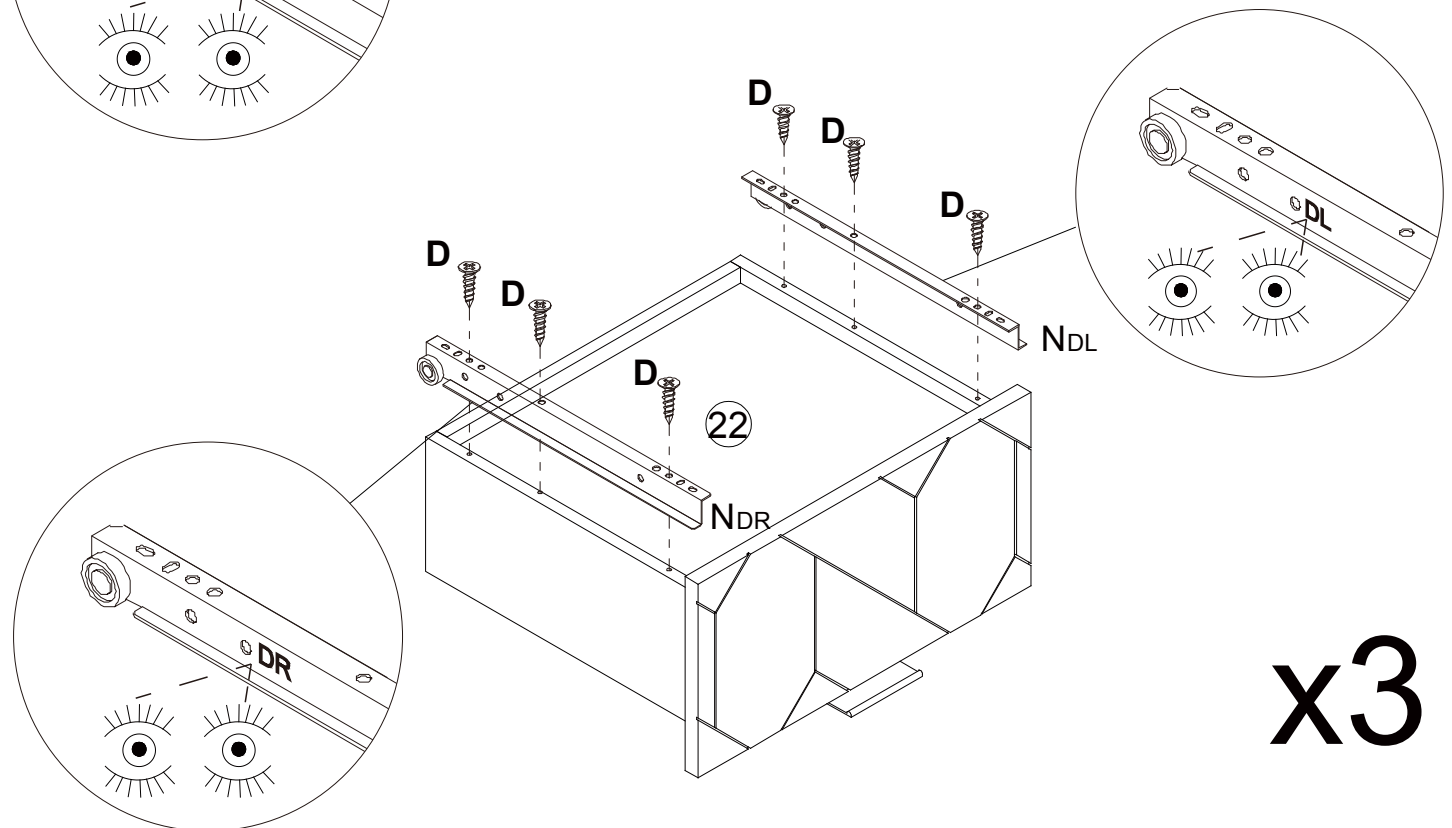
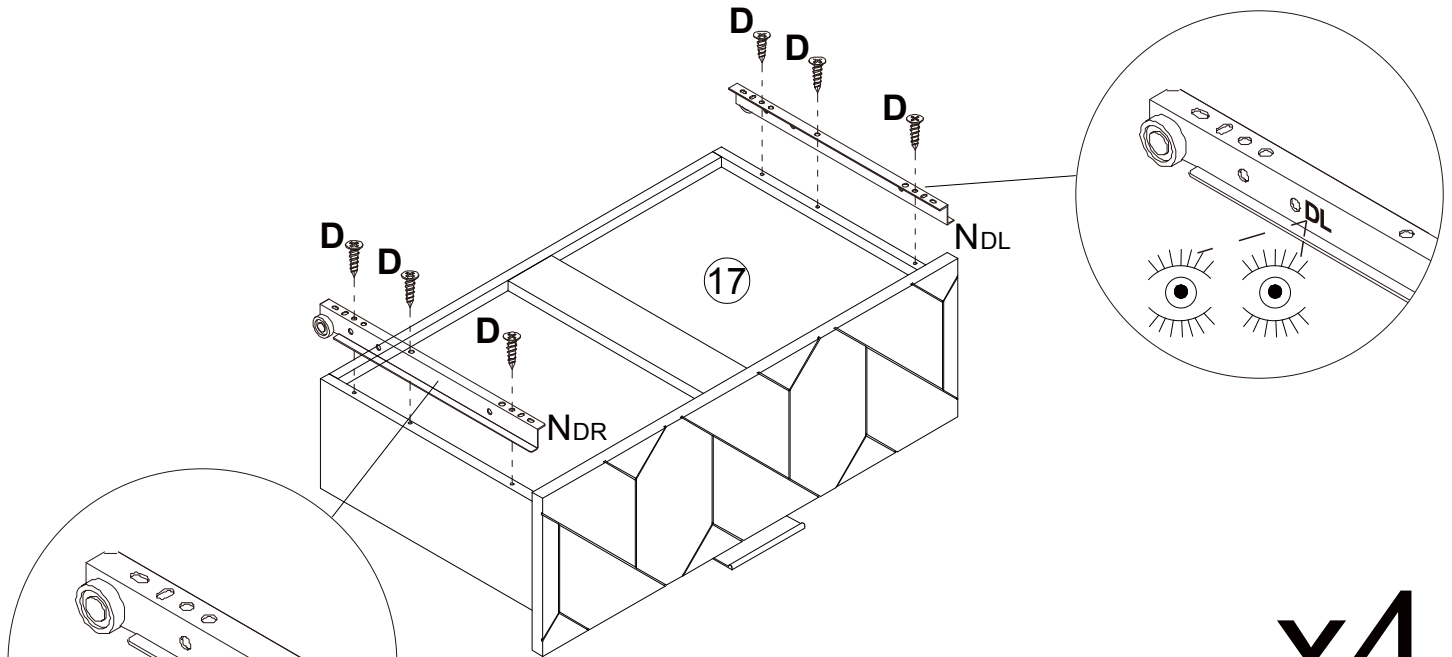
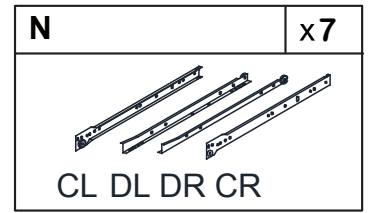
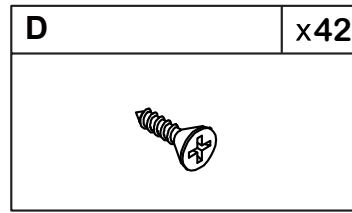
x4

Step 18

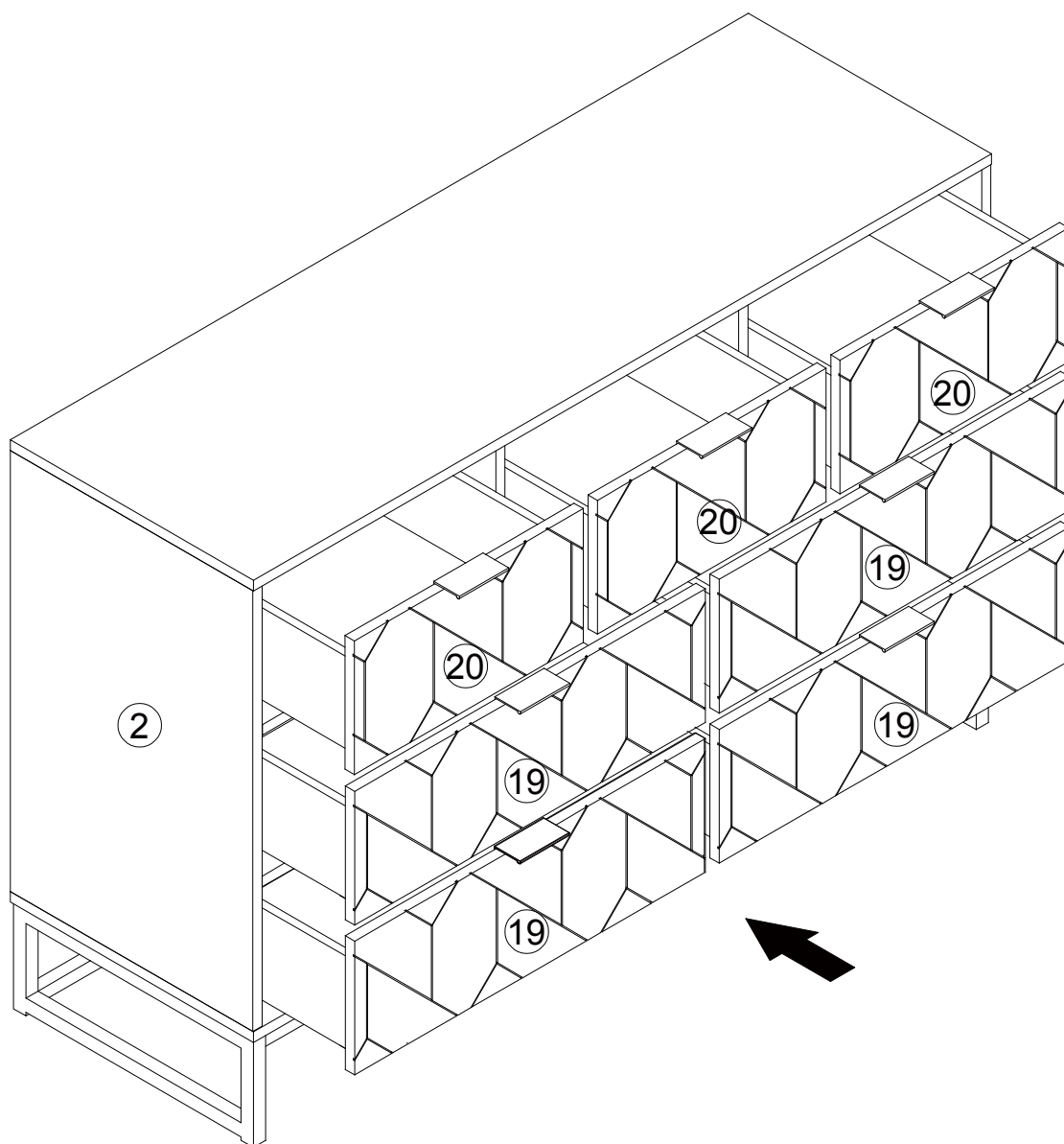


x3

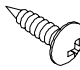

Step 19

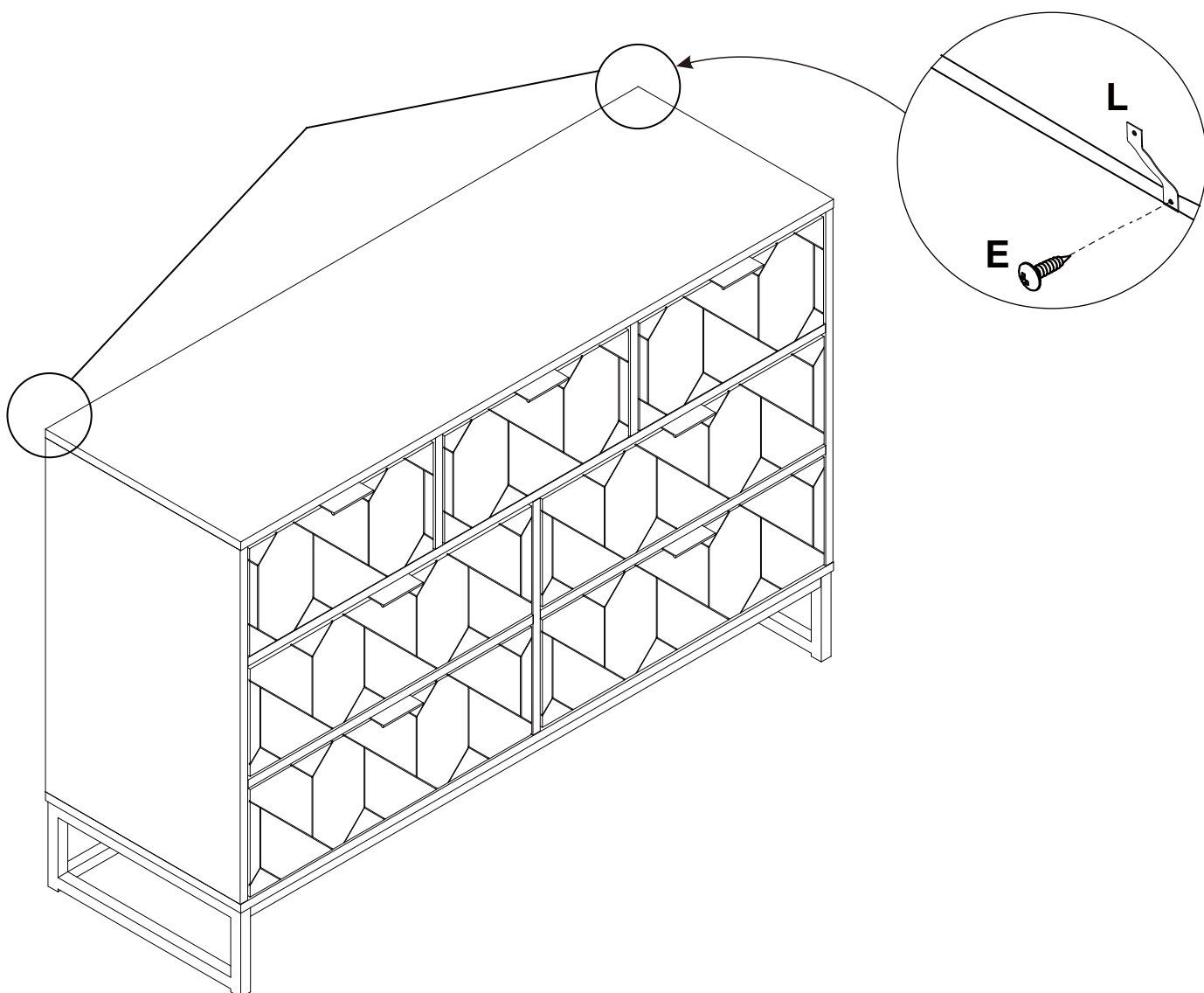


Step 20





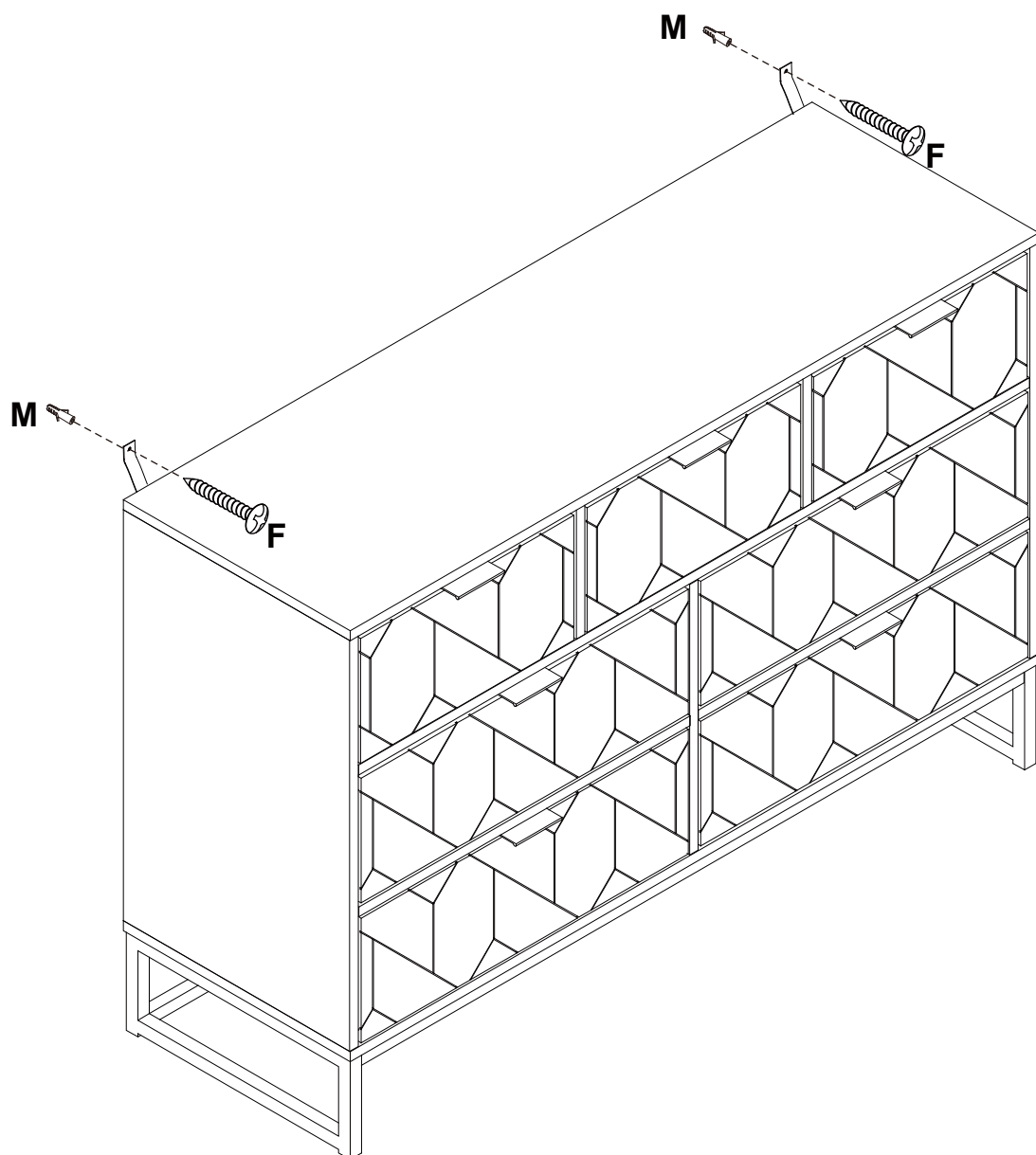
Step 21

E	x2	L	x2
			



Step 22

F	x2	M	x2
			



Proper Use

- DO NOT** use for commercial purposes
- DO NOT** use as a step stool or stand on table
- DO NOT** put hot serving liquid directly on the table top
- DO NOT** leave spilled liquid on the table top
- DO NOT** use table if damaged
- DO NOT** exceed weight limit
- DO NOT** make temporary repairs
- DO NOT** use outdoor