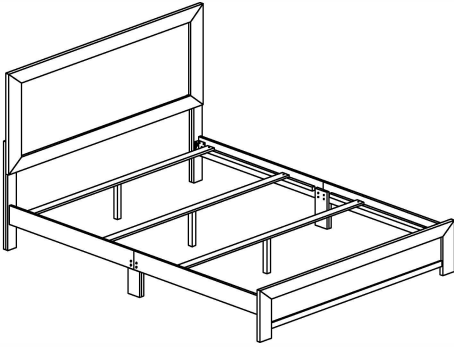


# ASSEMBLY INSTRUCTION

## QUEEN BED / LIT QUEEN HEADBOARD, FOOTBOARD, SIDE RAIL & SLAT

Thank you for purchasing the product. Please take time to read and follow the instruction below. Check that you have all parts and hardware before assembly. Parts apparently missing are often found in the packing materials. If you do not have all the parts listed, have your dealer contact us and they will be sent to you immediately.

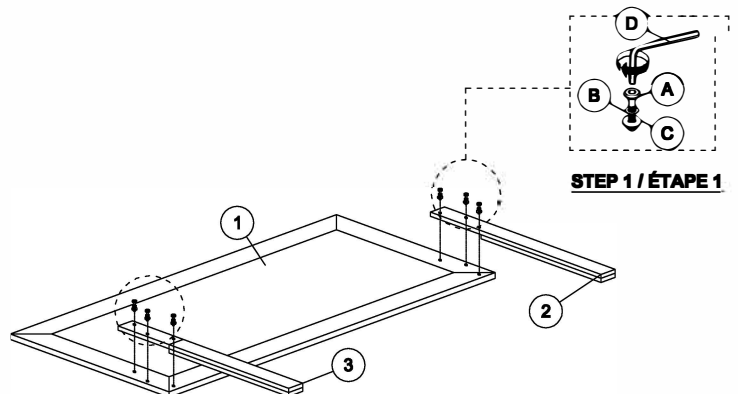


It is recommended to install protective pads under all legs and supports to avoid damage or scratches when placing furniture on a wood floor or other hard surface, and to limit indentation and prevent discoloration if placing on carpet.

PART LIST / LISTE DE PIÈCES			
No	Sketch	Description	Quantity
1		HEADBOARD / TÊTE DE LIT	1 PC
2		HEADBOARD LEG - LEFT / PIED GAUCHE	1 PC
3		HEADBOARD LEG - RIGHT / PIED DROITE	1 PC
4		FOOTBOARD / PIED DE LIT	1 PC
5		SIDE RAIL - LEFT / LONGERON GAUCHE	2 PCS
6		SIDE RAIL - RIGHT / LONGERON DROITE	2 PCS
7		SIDE RAIL SUPPORT LEG / LONGERON SUPPORT	2 PCS
8		SLAT / LATTES	4 PCS
9		SLAT SUPPORT / SUPPORT POUR TRANSVERSE	4 PCS

HARDWARE LIST / LISTE DE LA QUINCAILLERIE				
No	Description	Size	Sketch	Quantity
A	JCBB BOLT / BOULON	M8 x 40mm		6 PCS
B	SPRING WASHER / RONDELLE D'ARRÊT	M8		6 PCS
C	FLAT WASHER / RONDELLE PLATE	M8		6 PCS
D	ALLEN KEY / CLÈ ALLEN	M5		1 PC
E	JCBB BOLT / BOULON	M8 X 16mm		8 PCS
F	JCBC BOLT / BOULON	M6 X 40mm		12 PCS
G	SPRING WASHER / RONDELLE D'ARRÊT	M6		12 PCS
H	FLAT WASHER / RONDELLE PLATE	M6		8 PCS
I	ALLEN KEY / CLÈ ALLEN	M4		1 PC
J	SCREW / VIS	M4 x 32mm		8 PCS

\*\* ABOVE HARDWARE ARE PACKED IN 1534-1 / 1534GY-1 FOR ASSMBLY  
\*\* L'ENSEMBLE DE QUINCAILLERIE EST DANS BOTTE 1534-1 / 1534GY-1



NOTE: You will also need a Philip screw driver (not provided) / Remarque: vous aurez également besoin d'un tournevis Philip (non fourni)

# ASSEMBLY INSTRUCTION

## QUEEN BED / LIT QUEEN HEADBOARD, FOOTBOARD, SIDE RAIL & SLAT

