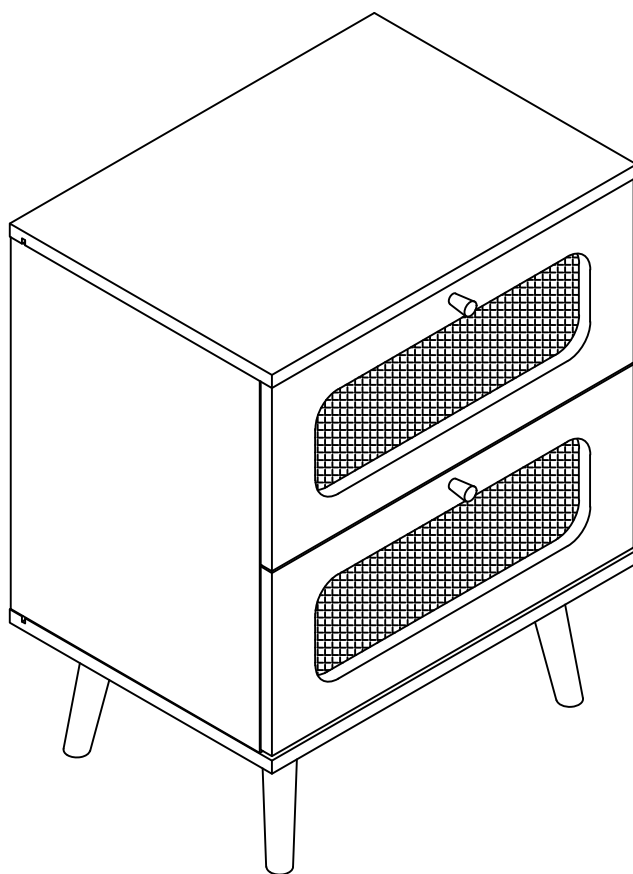
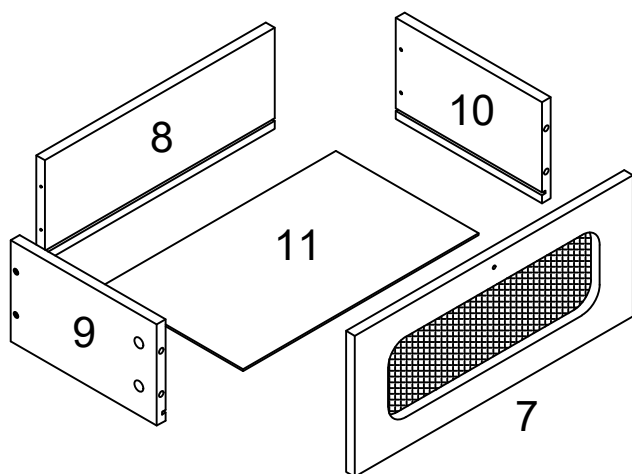
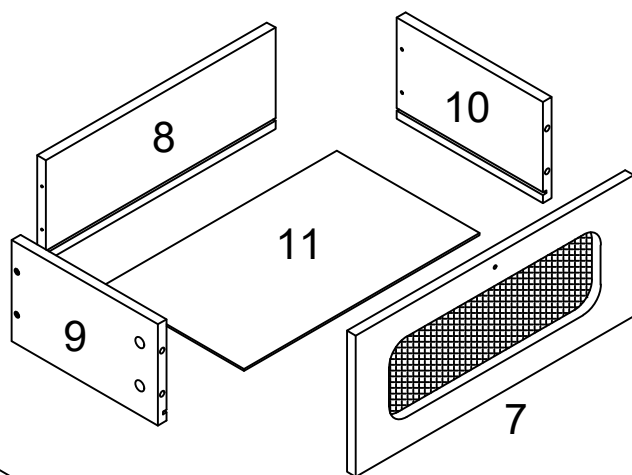
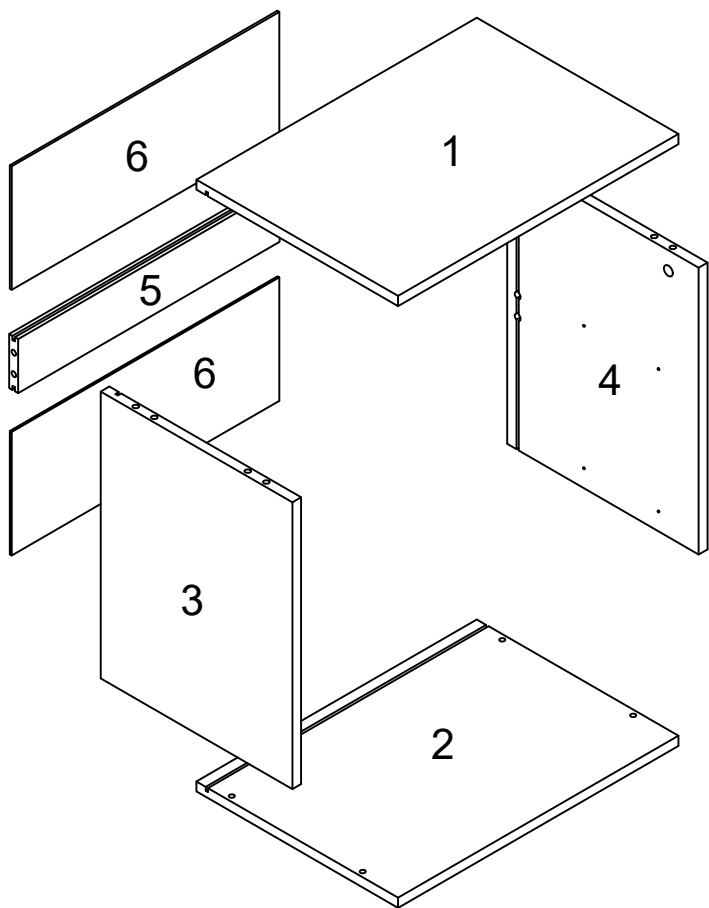


INSTALLATION & ASSEMBLY





A

16PCS

B 8*40

4PCS

C 7*50

4PCS

D 3.5*14

36PCS

E 3.5*35

8PCS

F

4PCS

G

4PCS

H 250mm

2PCS

I

2PCS

J 4*20

2PCS

K

6PCS

L 3*12

6PCS

M

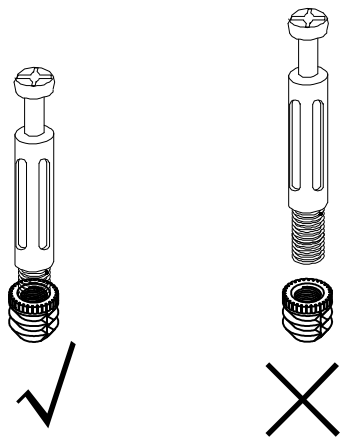
1PCS

N

1PCS

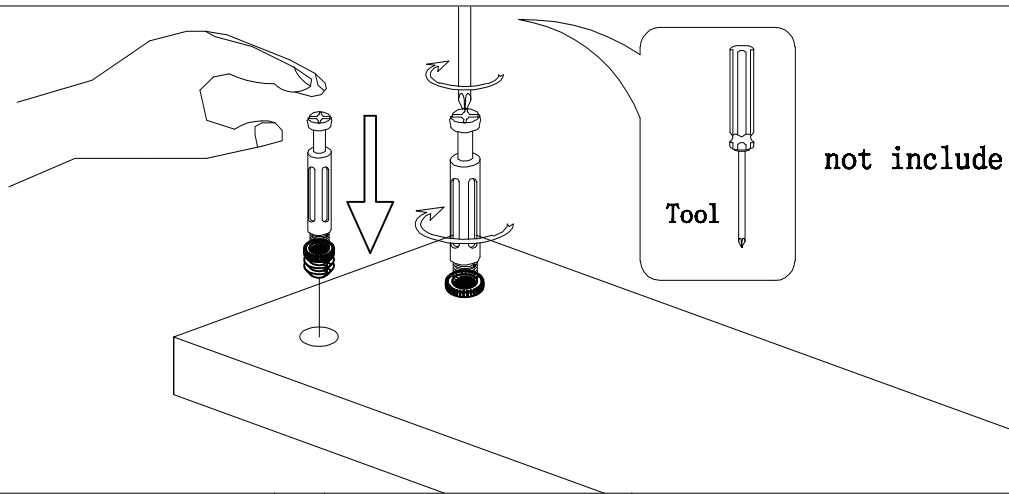
"A" Hardware installation example

I

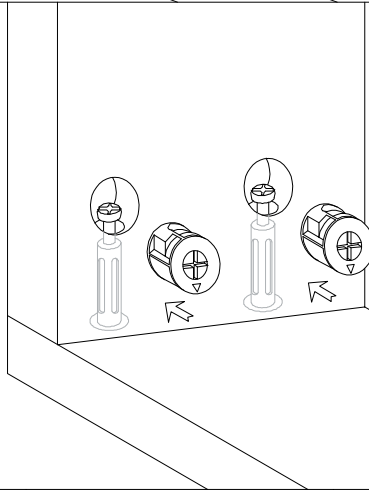


This part cannot be separated,
please install in strict
accordance with the assembly
requirements

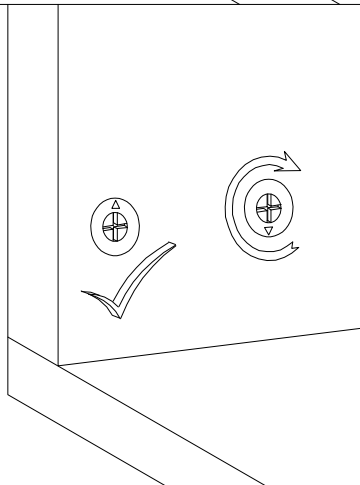
II



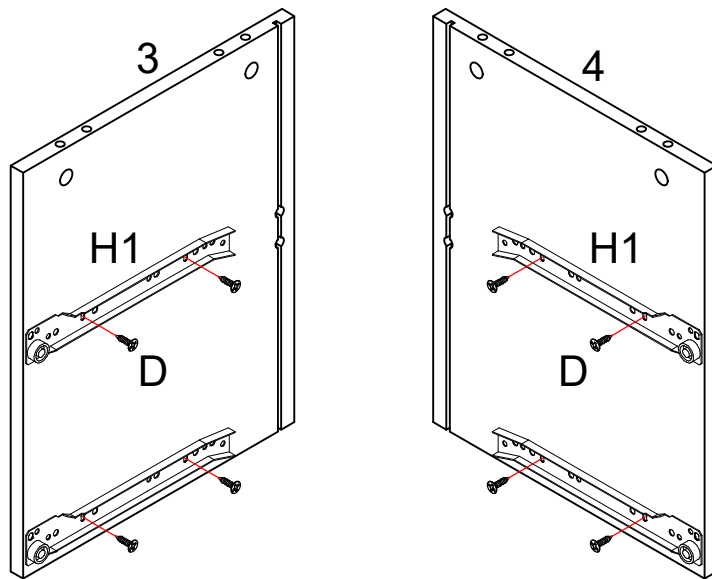
III

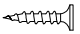
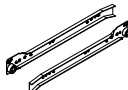


IV

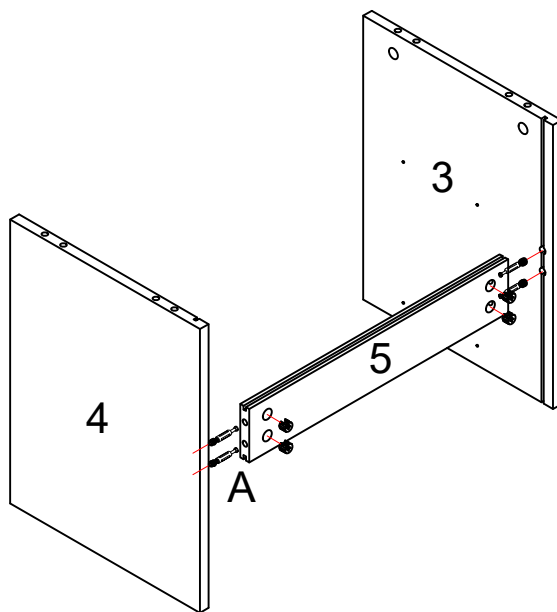



STEP 1



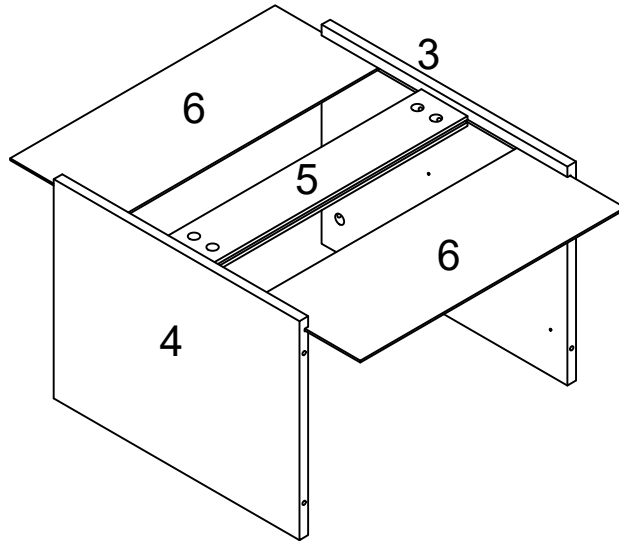
	D*8
	H1*2

STEP 2

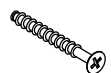
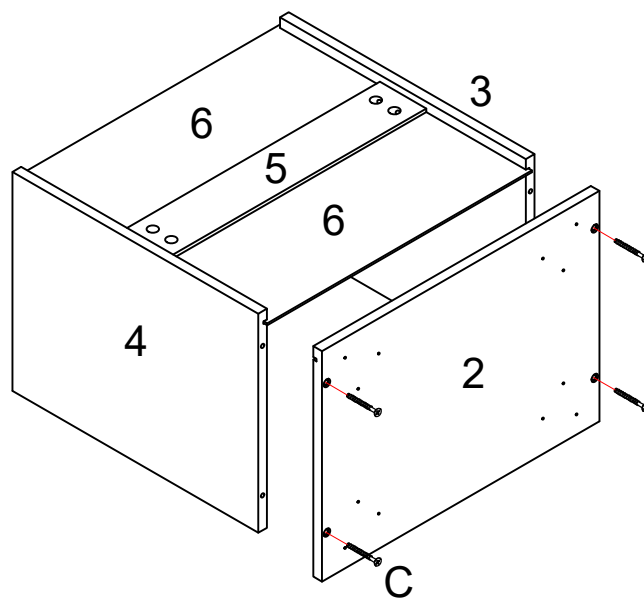


	A*4
---	-----

STEP 3

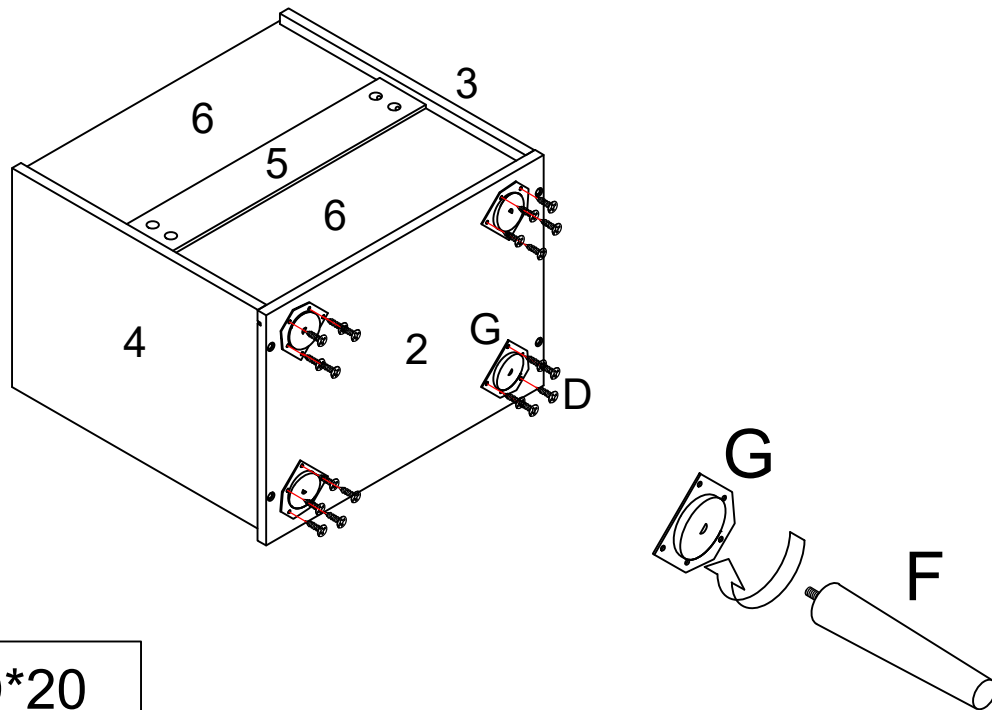


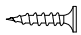
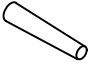

STEP 4



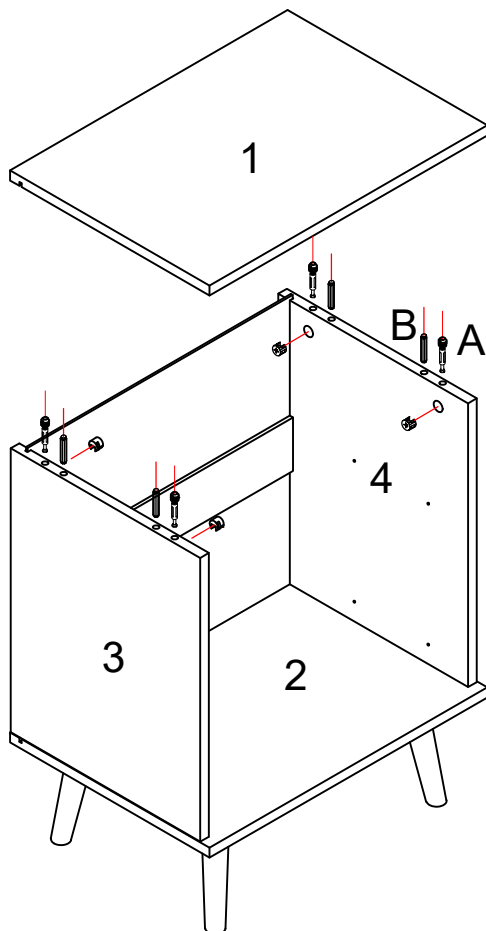
C*4


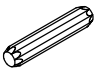
STEP 5



	D*20
	F*4
	G*4

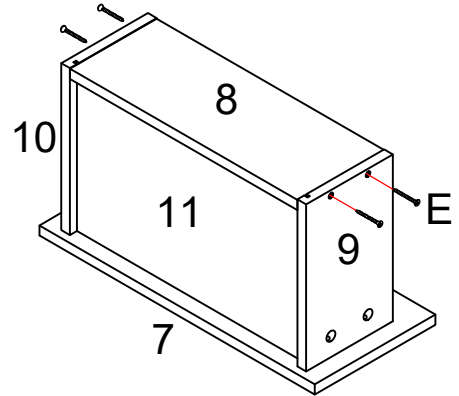
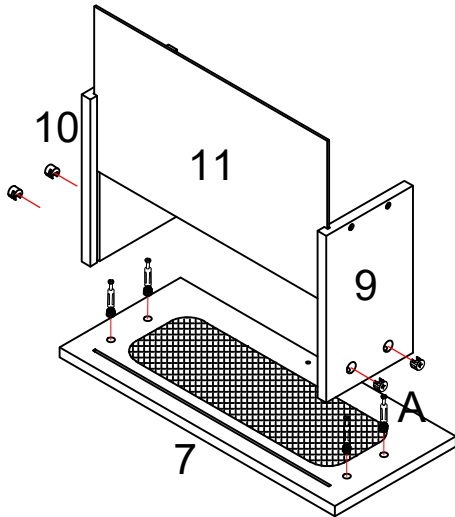
STEP 6


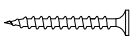


	A*4
	B*4

STEP 7

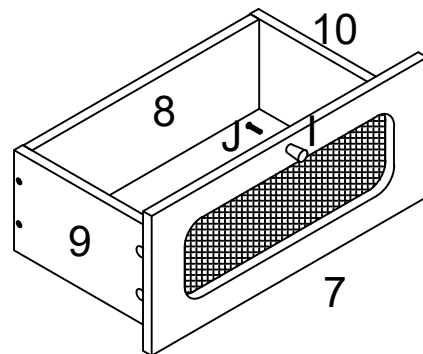
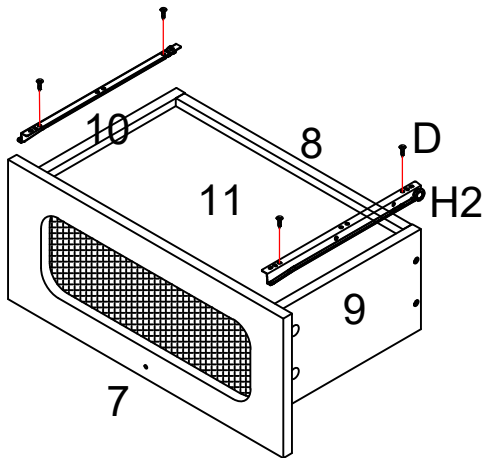
X2

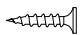
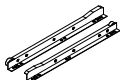




	A*8
	E*8

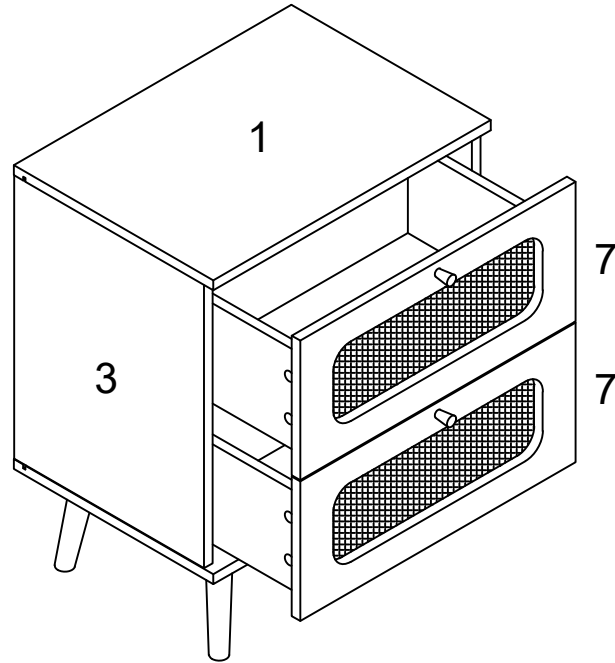
STEP 8

X2

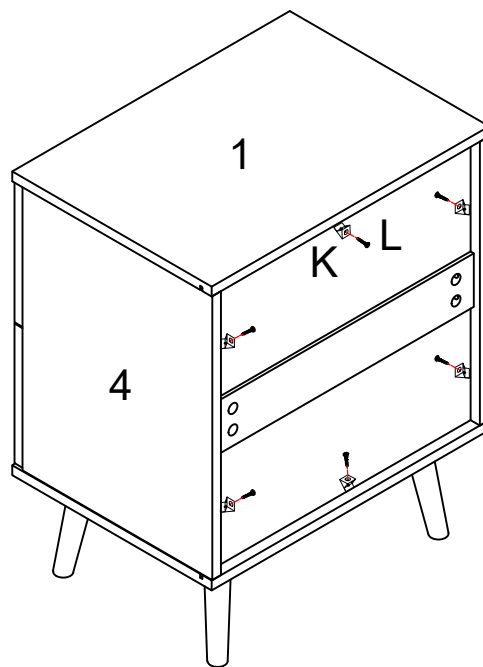


	D*8
	H2*2
	I*2
	J*2

STEP 9



STEP 10

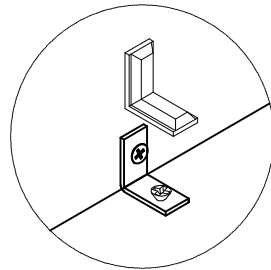
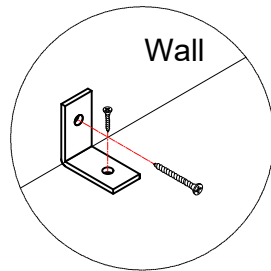
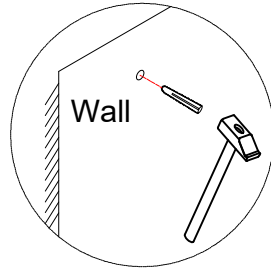
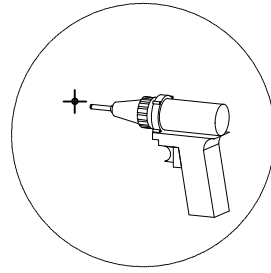
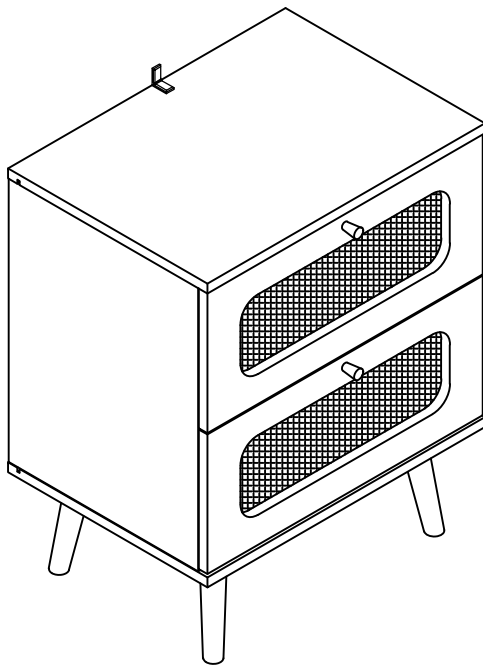


K*6



L*6

STEP 11



Please install tip-proof fitting.



M*1