

# USER MANUAL

## ( NV093-SY )



**THANK YOU FOR PURCHASING OUR PRODUCT**



Please scan the QR code to refer to the installation

Note: Please contact us if you encounter any problems with the install on, missing or replacement parts, and tell us your "ORDER ID," we will solve the issue for you as soon as possible.

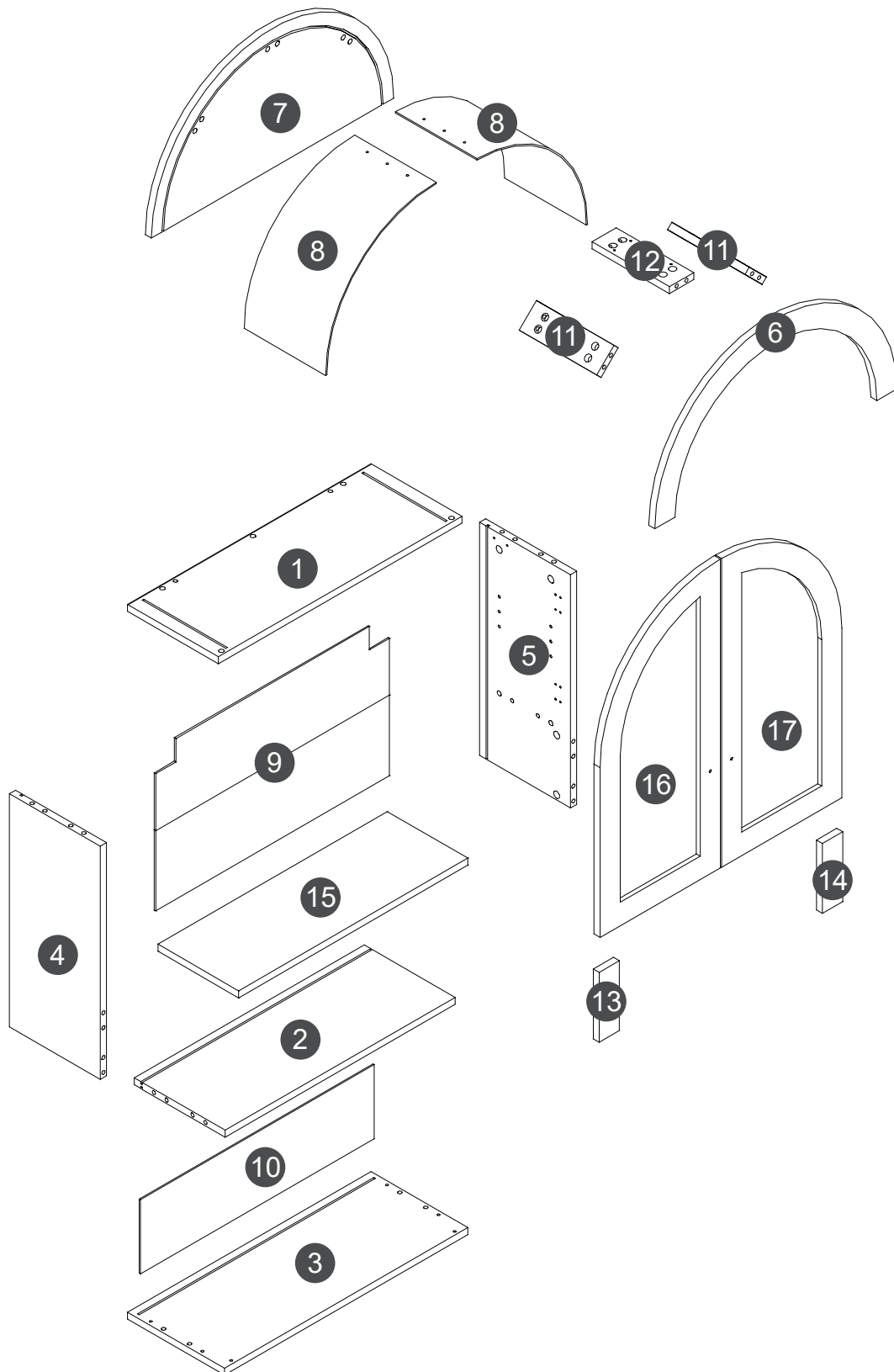
online video: <https://buylikepro.com/pages/arch-wall-cabinet-support>

Customer Service: [help@EverythingSupport.com](mailto:help@EverythingSupport.com)

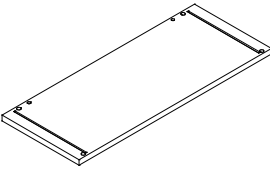
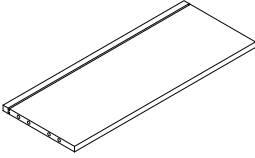
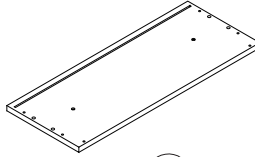
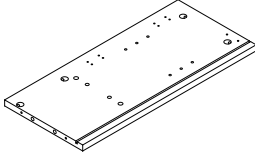
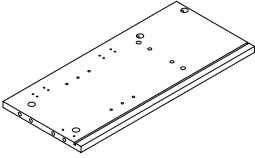
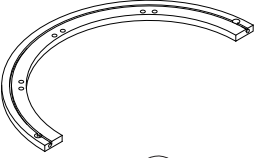
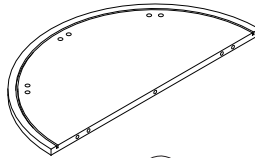
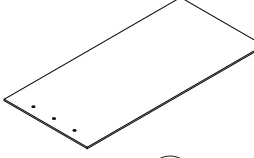
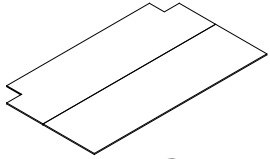
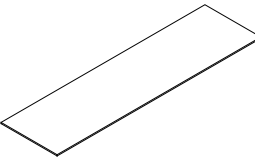
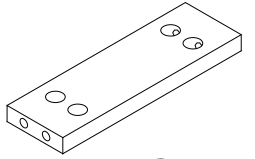
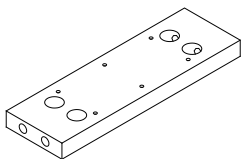
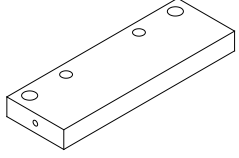
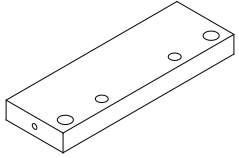
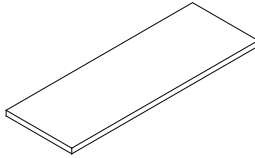
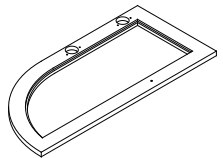
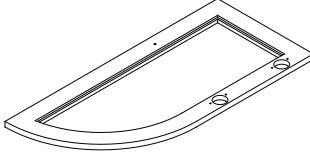
TEL:(855)208-0668(MON-FRI 9:00am-6:00pm Eastern Time)


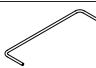





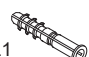




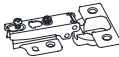


# Installation Instructions

Note: Avoid fully tightening screws during initial assembly in case of assembly errors.  
Tighten screws only after all parts have been properly assembled.



# List of Installation Accessories

 ① x1PC	 ② x1PC	 ③ x1PC	 ④ x1PC
 ⑤ x1PC	 ⑥ x1PC	 ⑦ x1PCS	 ⑧ x2PC
 ⑨ x1PC	 ⑩ x1PC	 ⑪ x2PC	 ⑫ x1PC
 ⑬ x1PC	 ⑭ x1PC	 ⑮ x1PC	 ⑯ x1PC
 ⑰ x1PC			

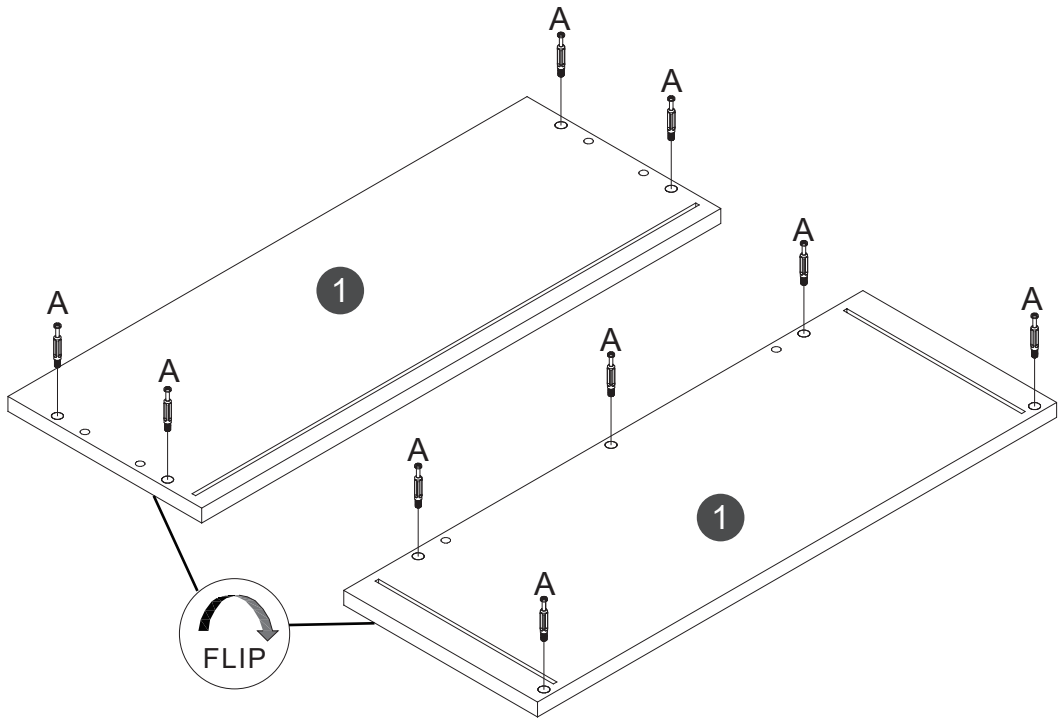
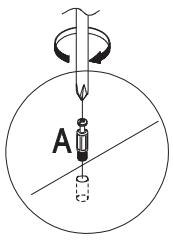
NO.	PICTURE	SIZE	QTY	NO.	PICTURE	SIZE	QTY
A			29	I			1
B		15*11.5	29	J			4
C		8*30	18	K		5*40	6
D	 ⊕	3.5*14	32	L	 L1  L2		6
E		4*30	4	M	 M1  M2		2
F			4				
G		M4*18	4				
H			2				




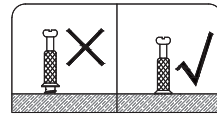
It takes at least two people to assemble the product.

# Installation Instructions

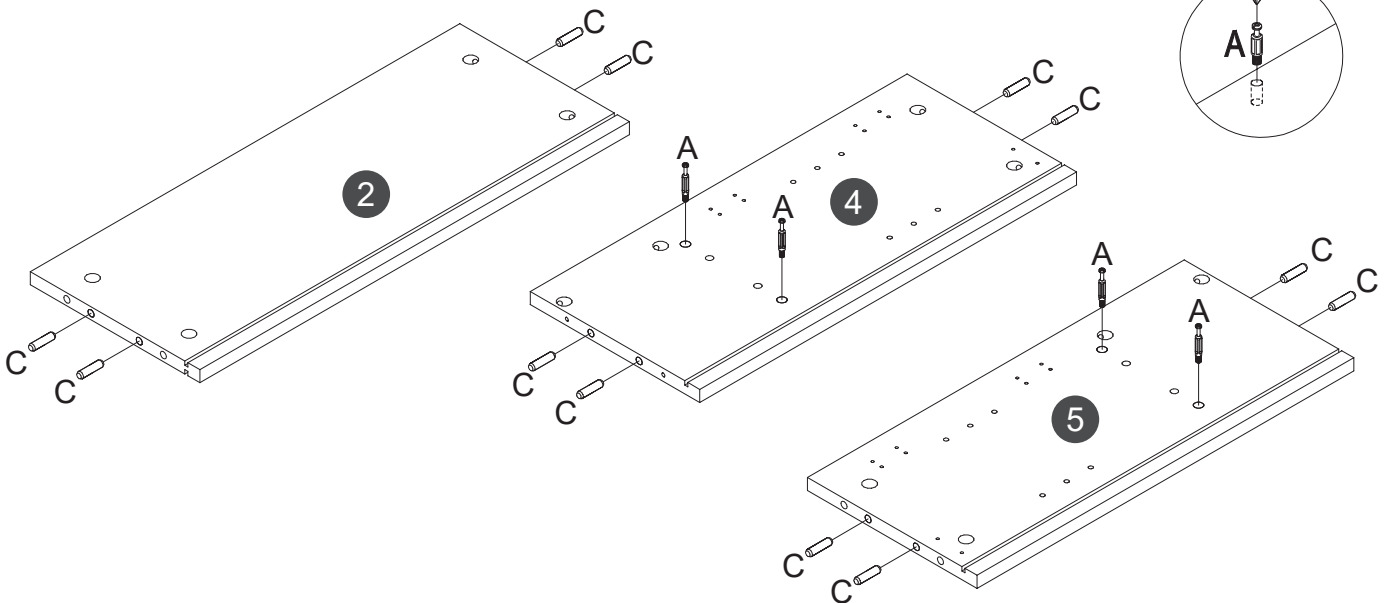
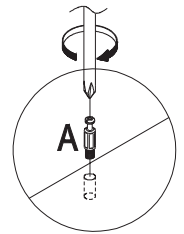
## STEP 1





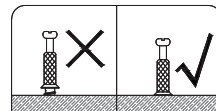
A = 9X 



## STEP 2

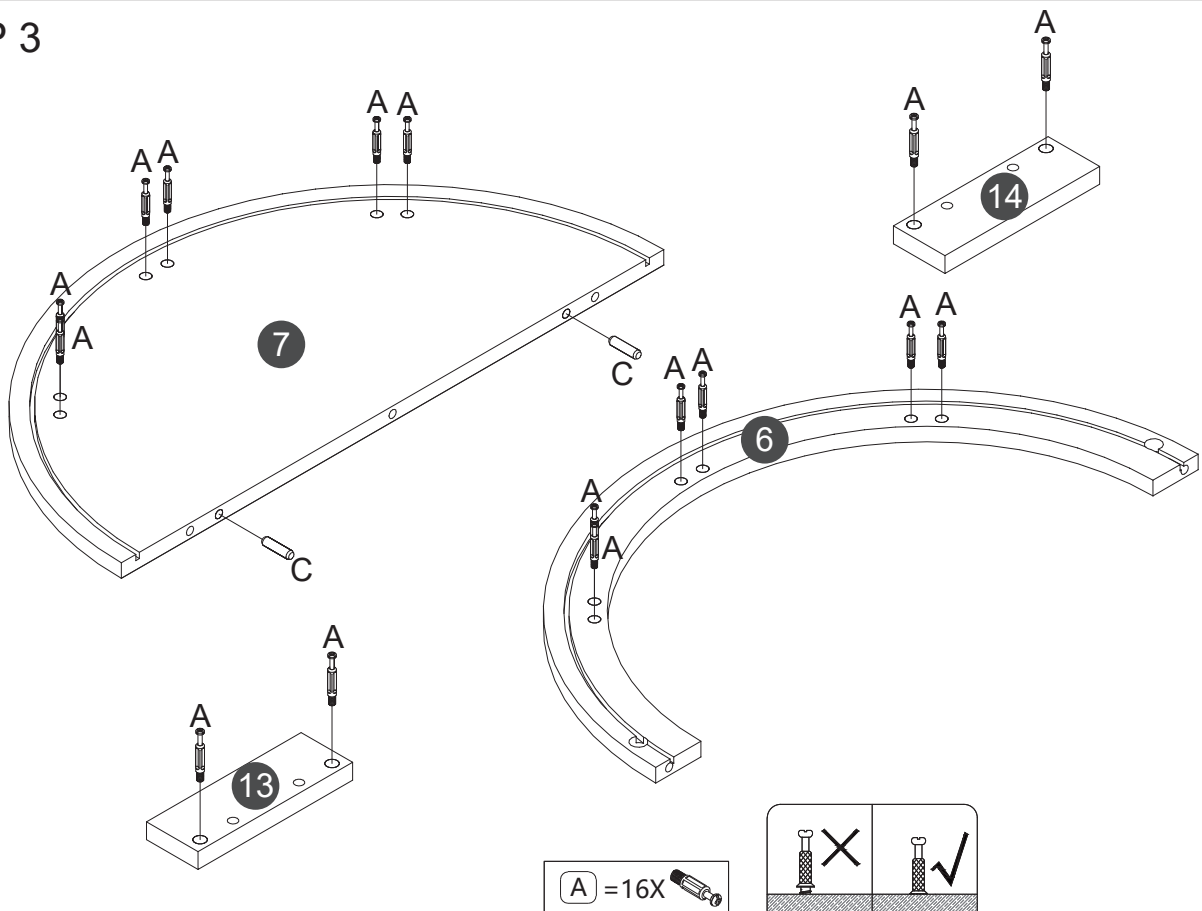


A = 4X  C = 12X 

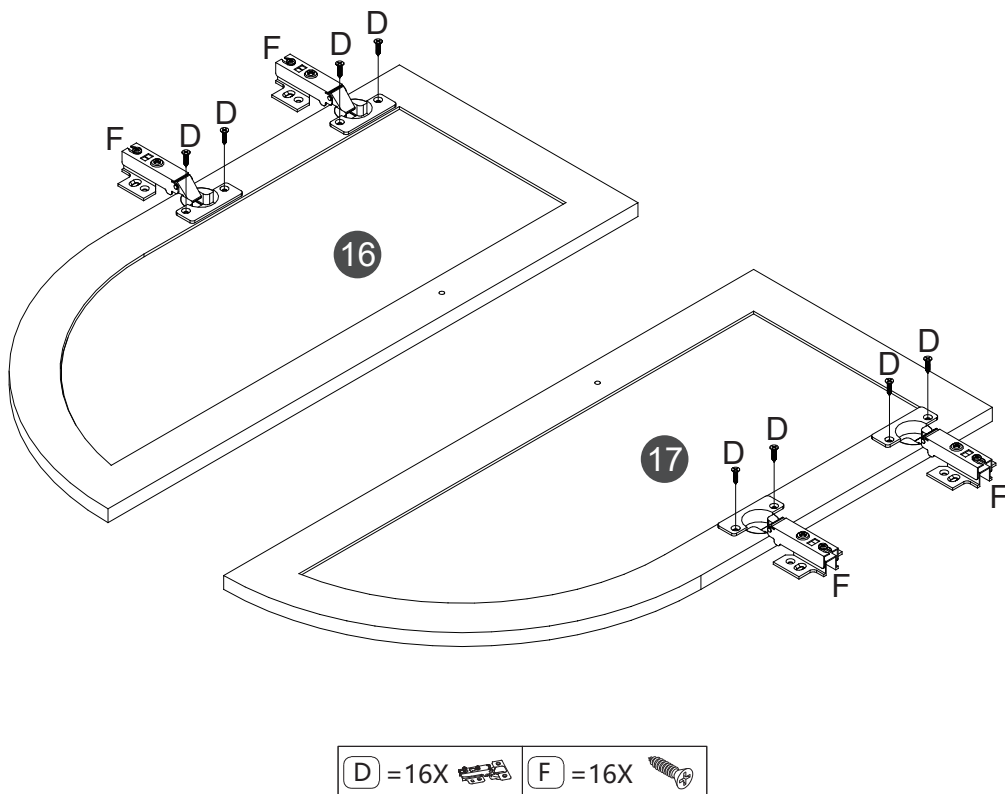


# Installation Instructions

## STEP 3

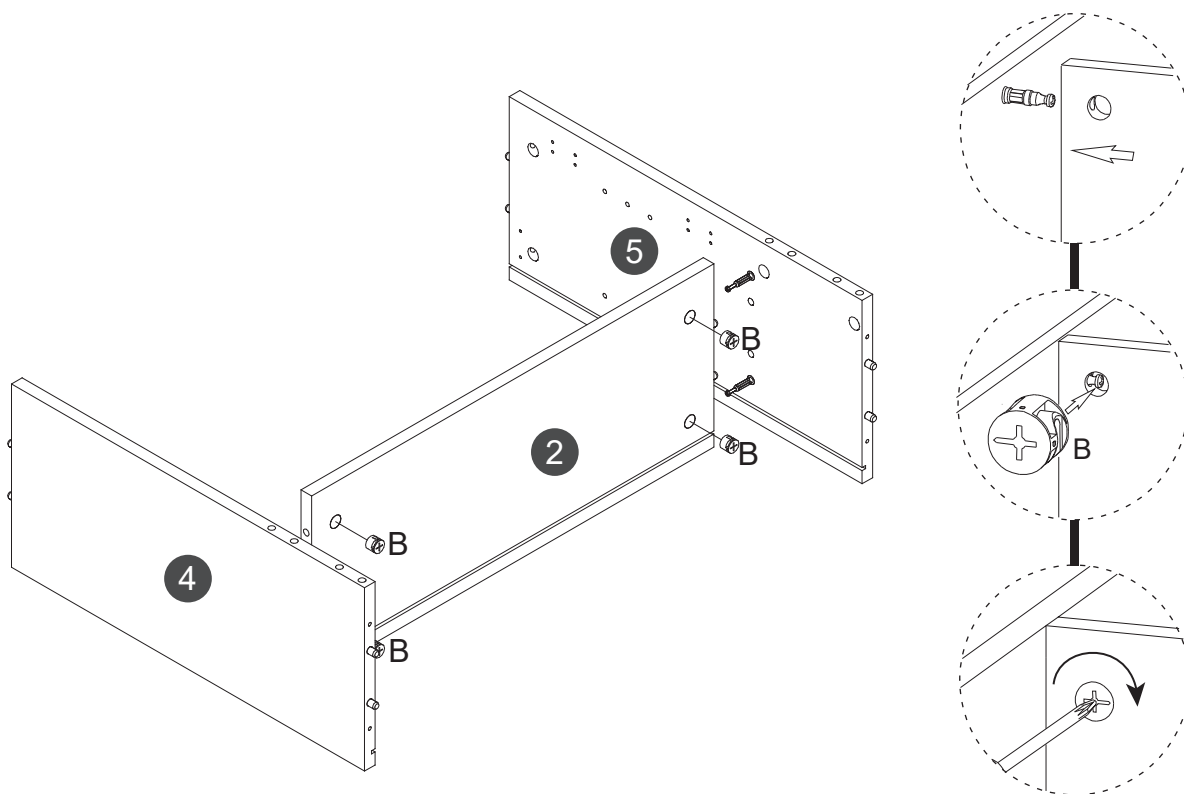


## STEP 4



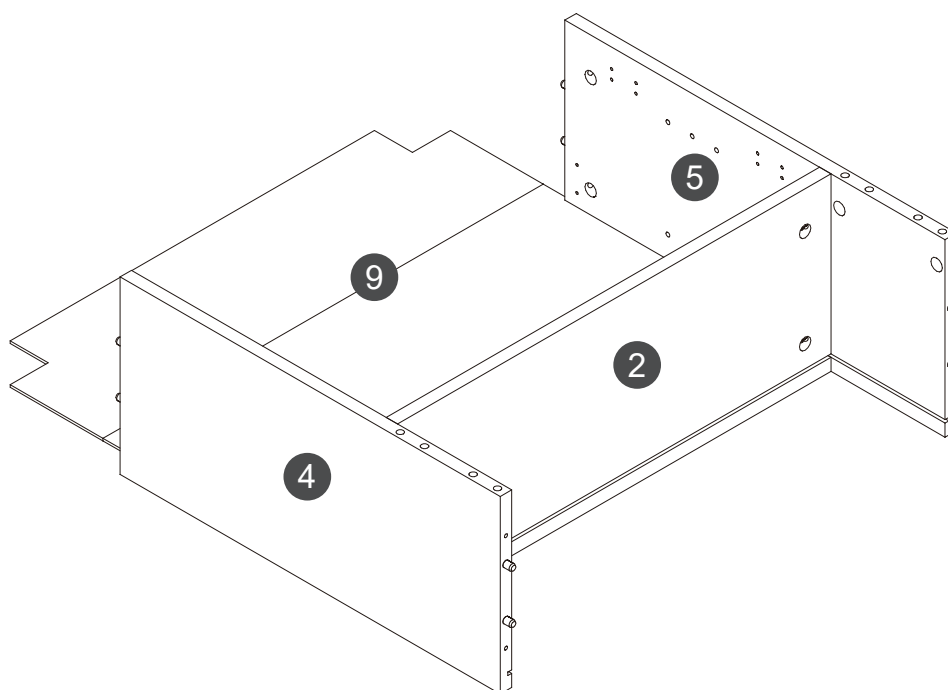
# Installation Instructions

## STEP 5



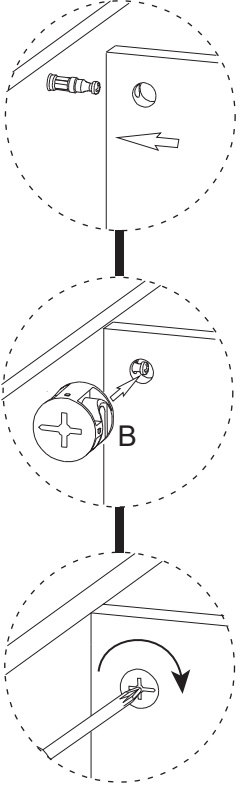
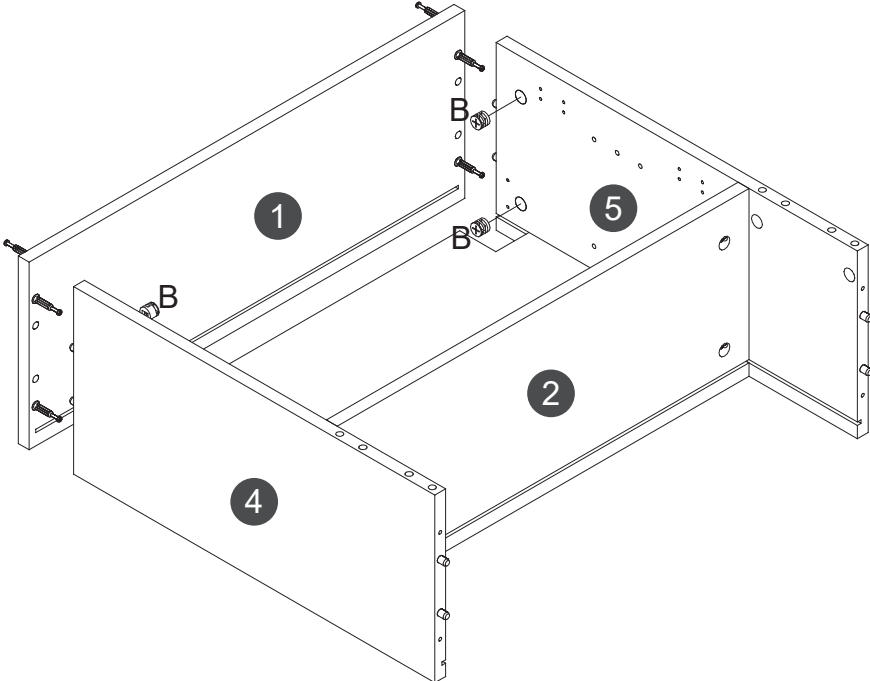
B = 4X 


## STEP 6



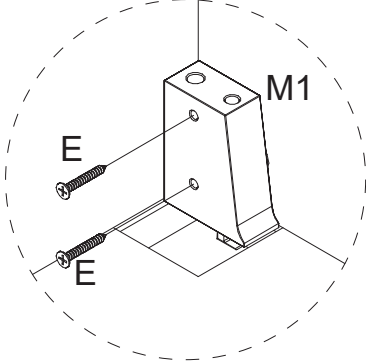
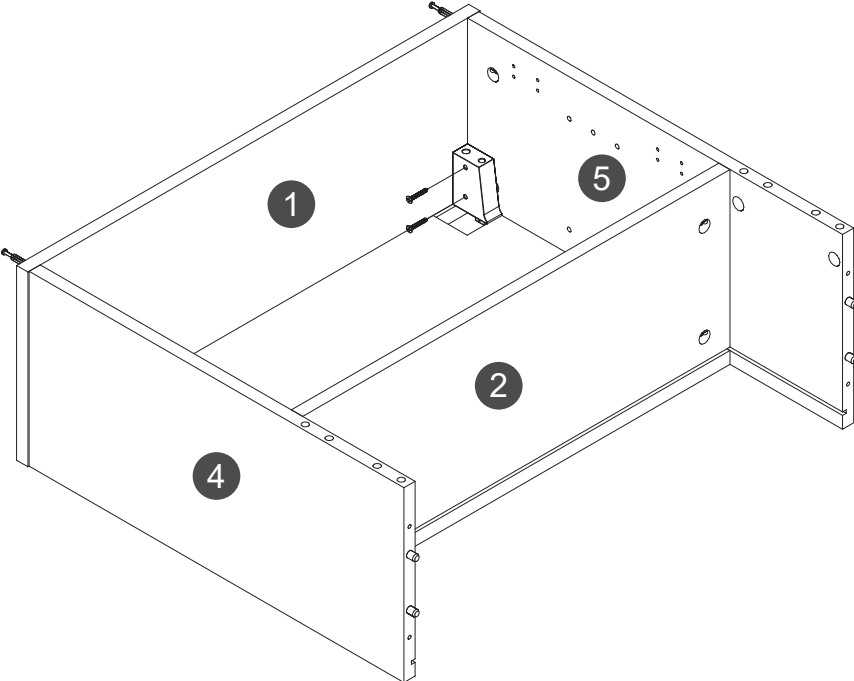
# Installation Instructions



## STEP 7



B = 4X 

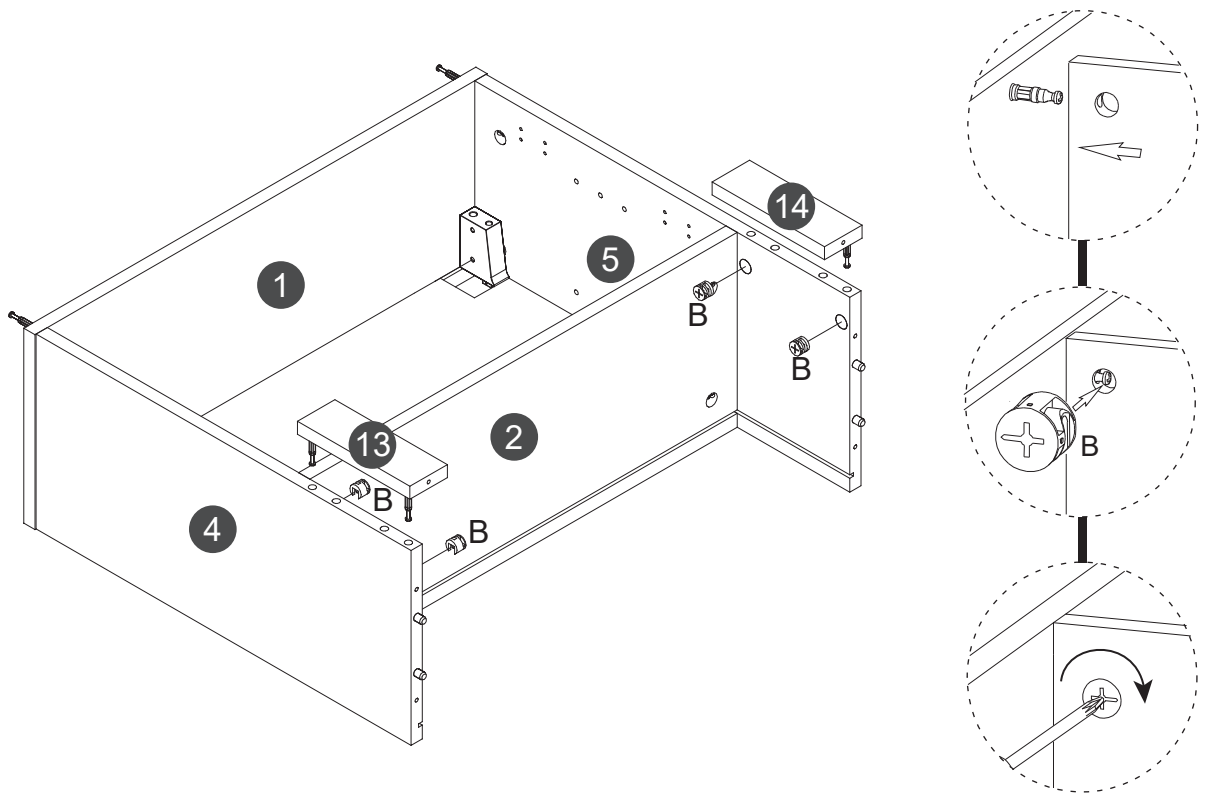
## STEP 8




M1 = 2X  E = 4X 

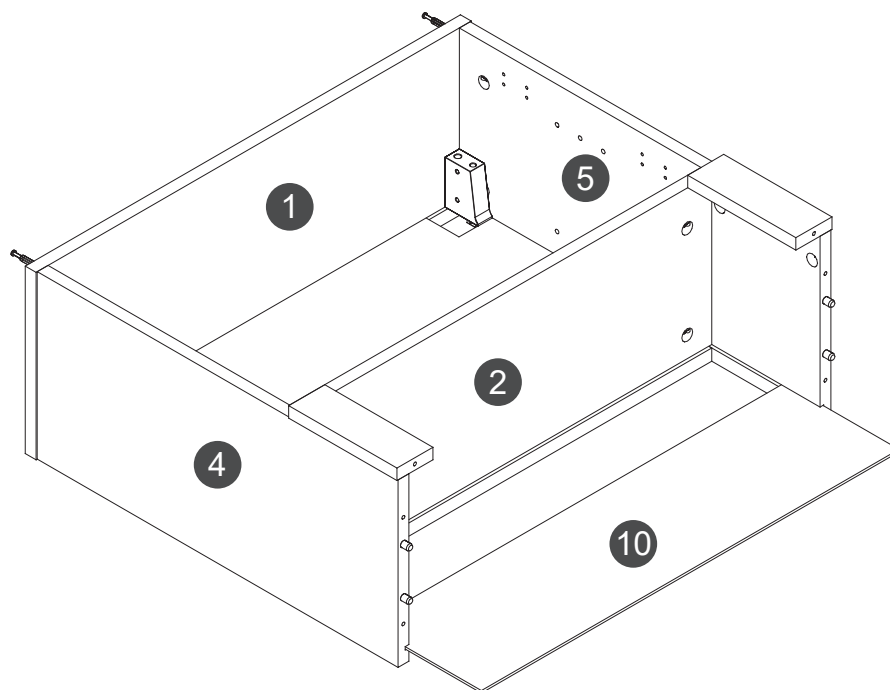
# Installation Instructions

## STEP 9



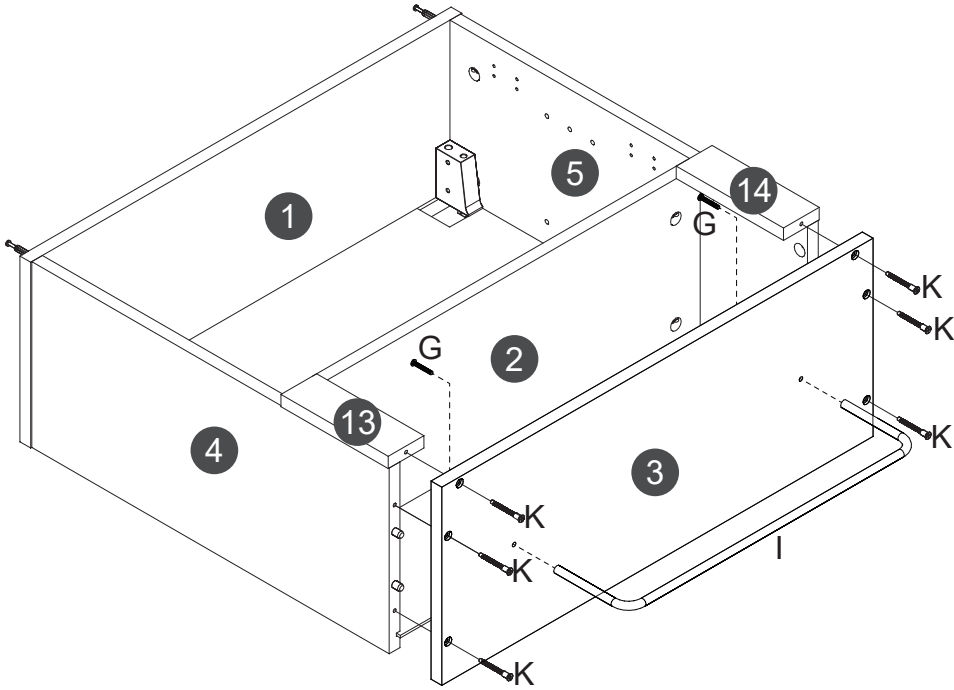
B = 4X 

## STEP 10



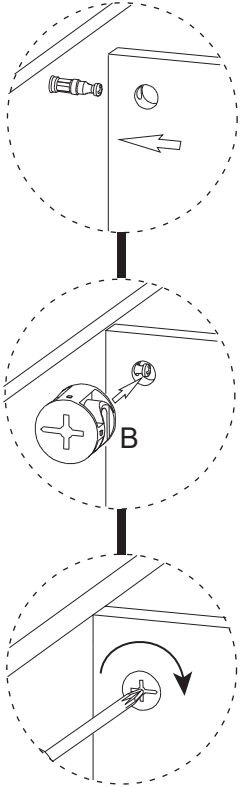
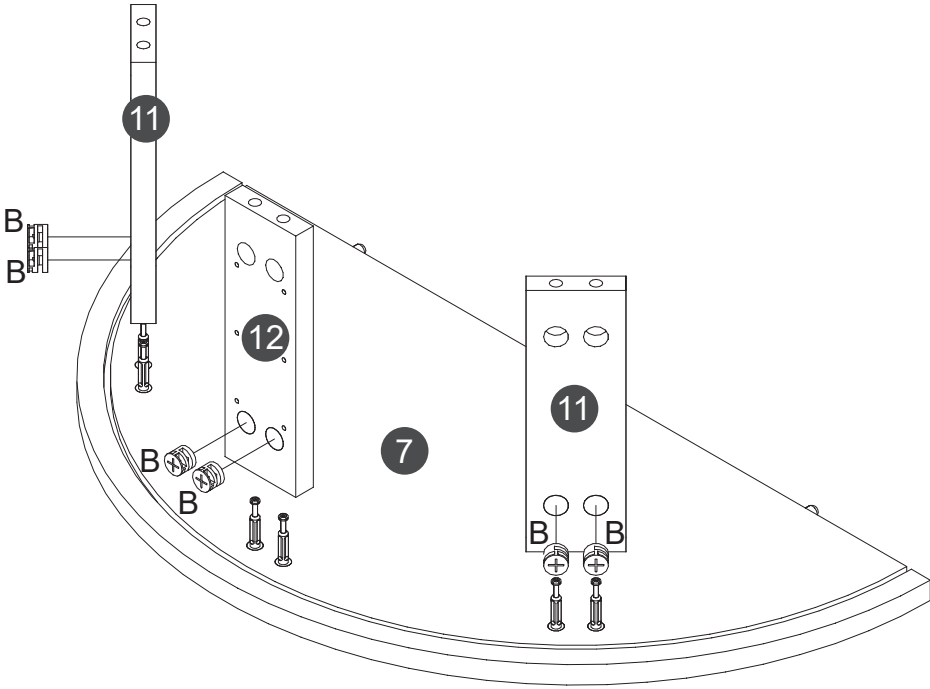
# Installation Instructions


## STEP 11



**K** = 6X  **G** = 2X  **I** = 1X 

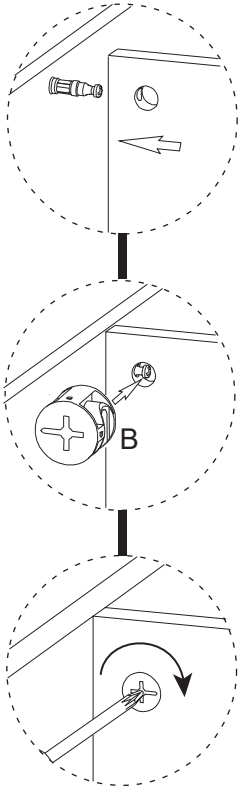
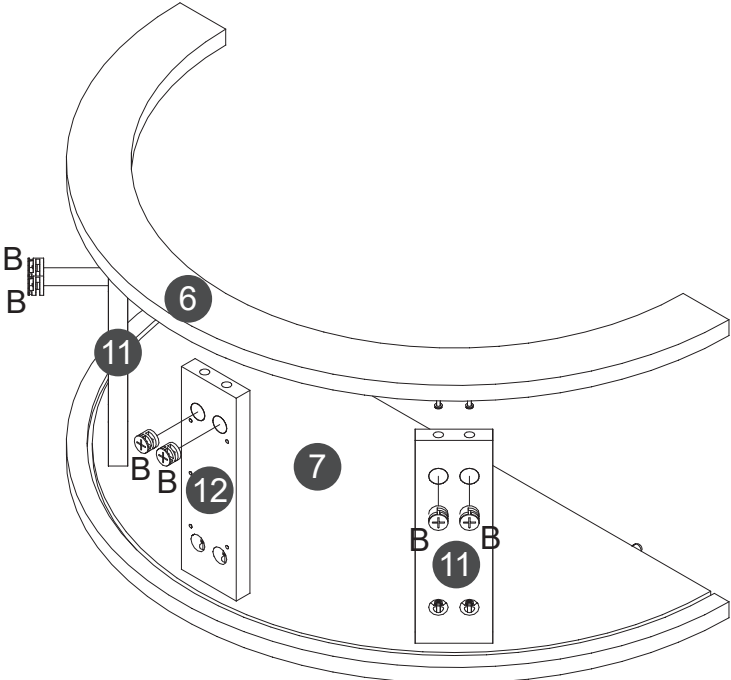
## STEP 12



**B** = 6X 

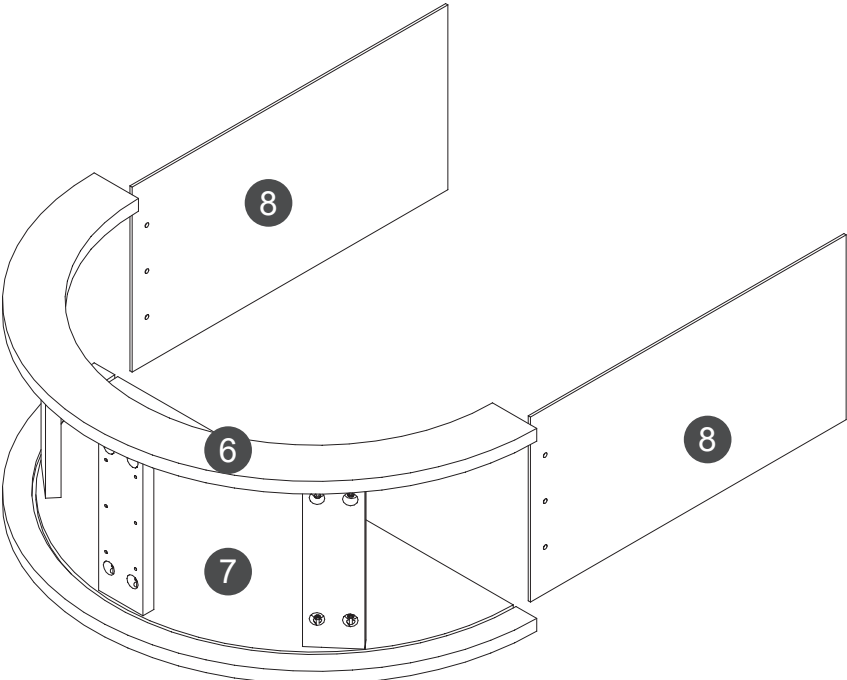
# Installation Instructions

## STEP 13



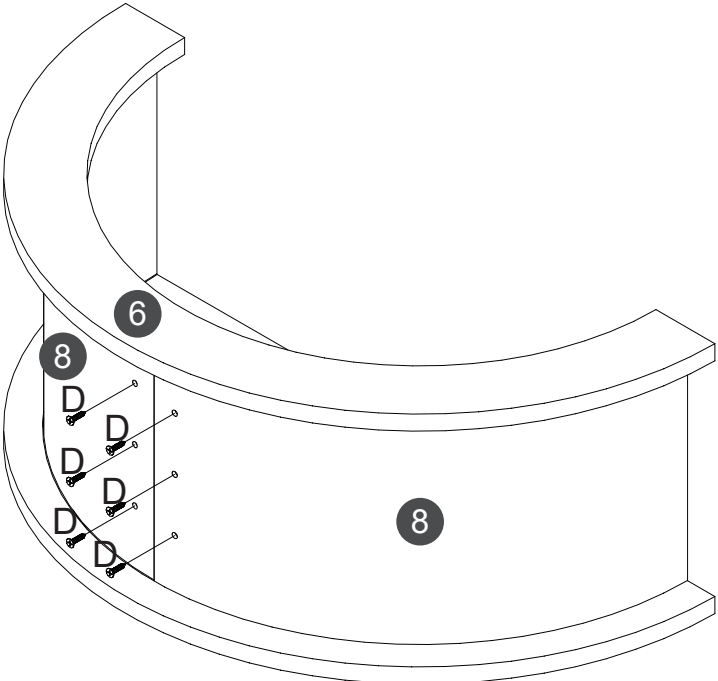
B = 6X 


## STEP 14



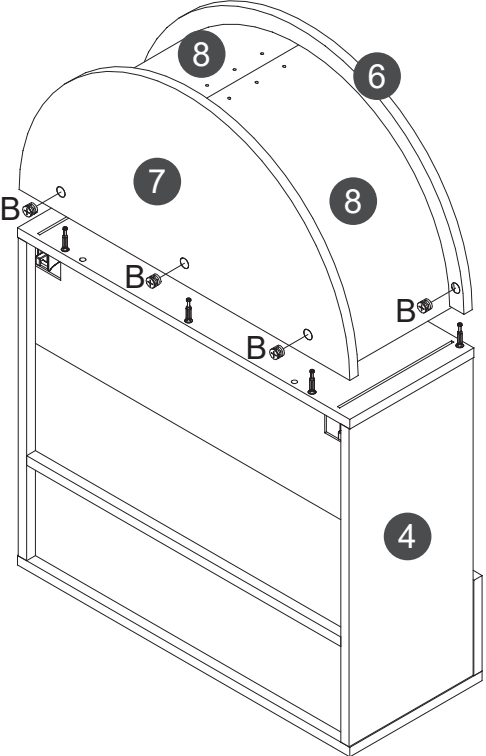
# Installation Instructions


## STEP 15



D = 6X 

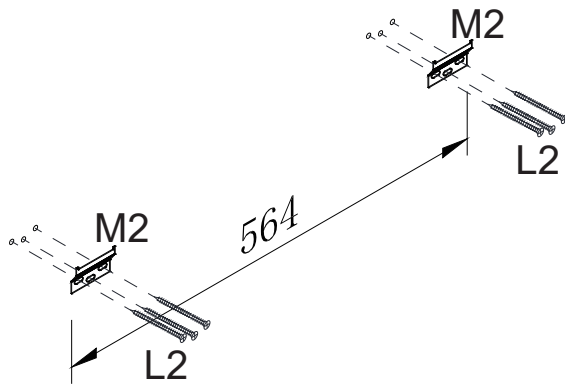
## STEP 16



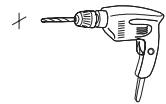
B = 6X 

# Installation Instructions

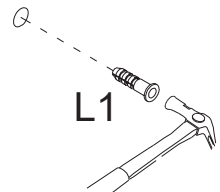
## STEP 17



1

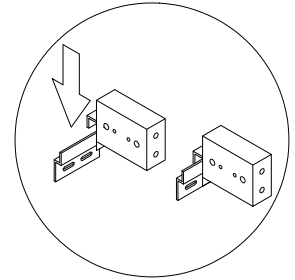
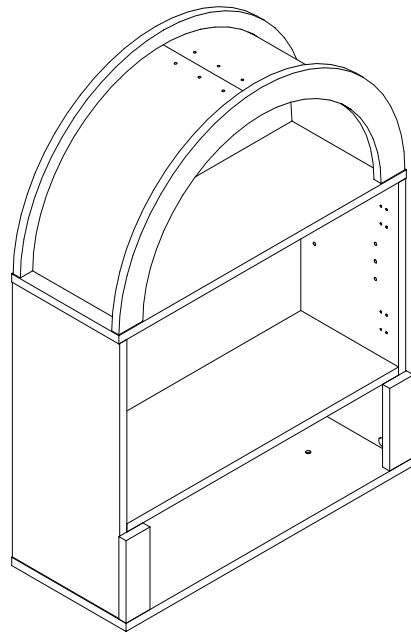


2

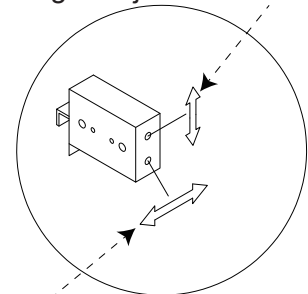


# Installation Instructions

## STEP 18



Height Adjustment Screw Hole.



Depth Adjustment Screw Hole.

### Adjustment & Leveling

The hanger includes built-in adjustment screws. Use a screwdriver to fine-tune the cabinet position:

#### 1. Up/Down Adjustment (Height & Leveling)

Insert a Phillips screwdriver into the height adjustment hole and turn the screw:

Clockwise → Hook rises → Cabinet lifts

Counterclockwise → Hook lowers → Cabinet drops

This allows you to level both sides of the cabinet evenly.

#### 2. Front/Back Adjustment (Wall Alignment)

Insert the screwdriver into the depth adjustment hole and turn to adjust the distance from the wall:

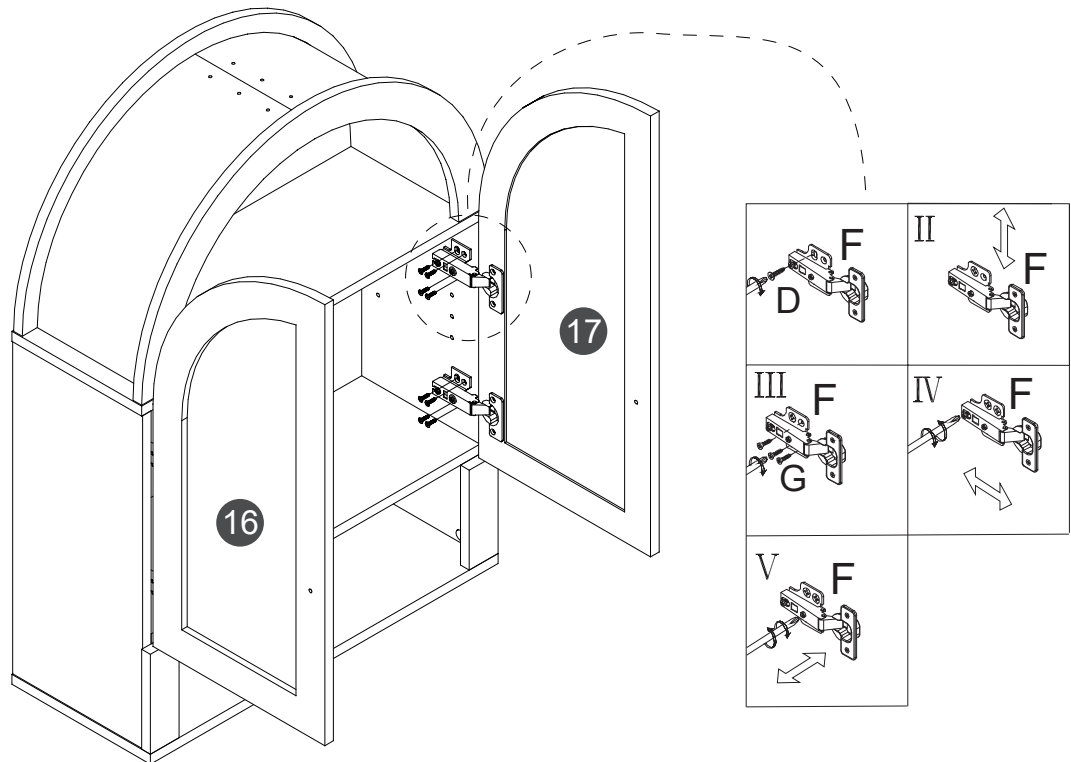
Clockwise → Hook retracts → Cabinet moves closer to wall


Counterclockwise → Hook extends → Cabinet moves away from wall

Adjust until the cabinet is level and fits tightly against the wall.

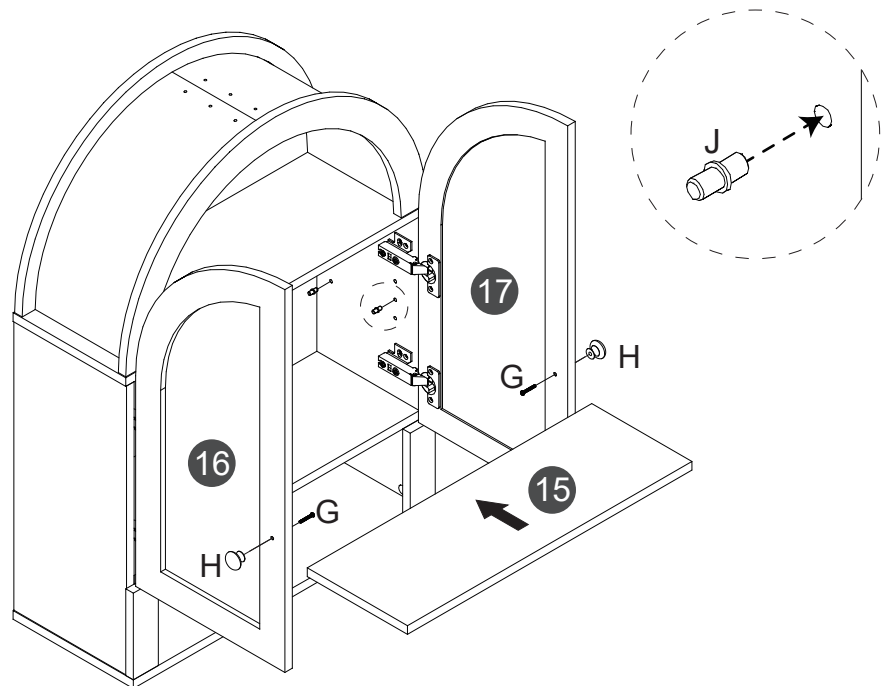
# Installation Instructions




## STEP 19



D = 16X 

## STEP 20



G = 2X  H = 2X  J = 4X 

# Installation Instructions

## STEP 21



- Please avoid harsh, corrosive, and abrasive cleaners.
- Keep dry and avoid damp environments.

## THANK YOU FOR PURCHASING OUR PRODUCT



Please scan the QR code to refer to the installation  
Note: Please contact us if you encounter any problems with the install on, missing or replacement parts, and tell us your "ORDER ID," we will solve the issue for you as soon as possible.

online video: <https://buylikepro.com/pages/arch-wall-cabinet-support>

Customer Service: [help@EverythingSupport.com](mailto:help@EverythingSupport.com)

TEL:(855)208-0668(MON-FRI 9:00am-6:00pm Eastern Time)