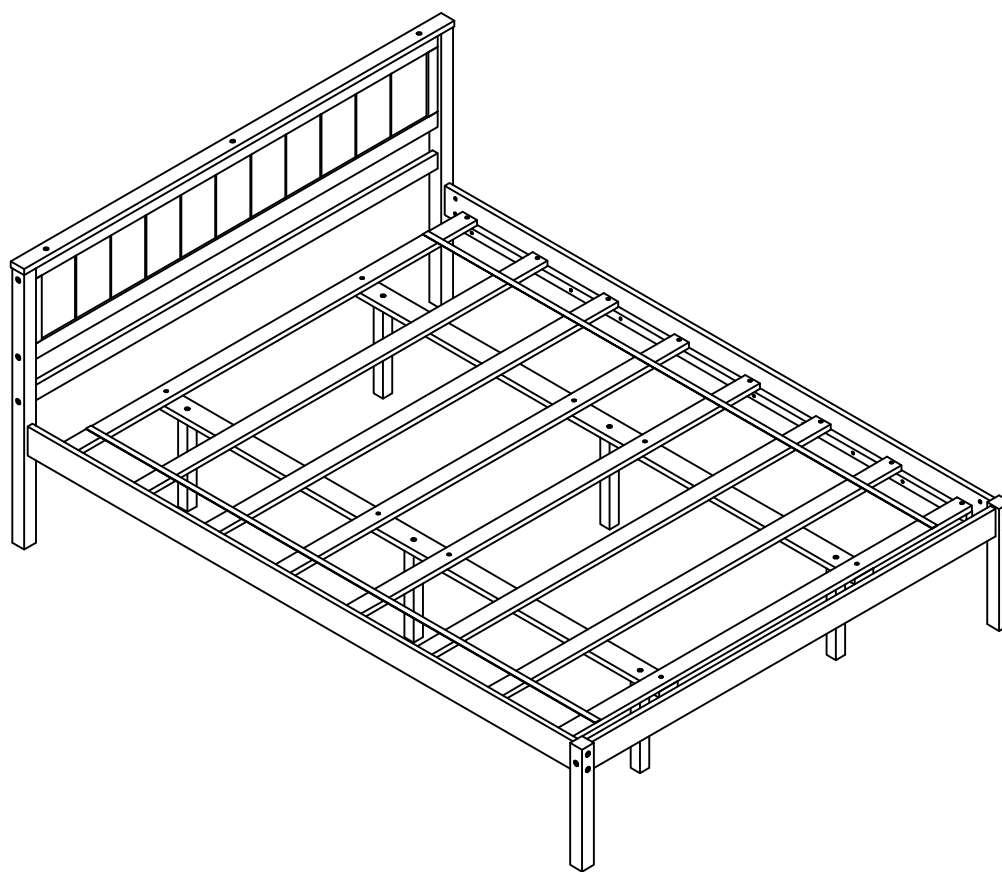
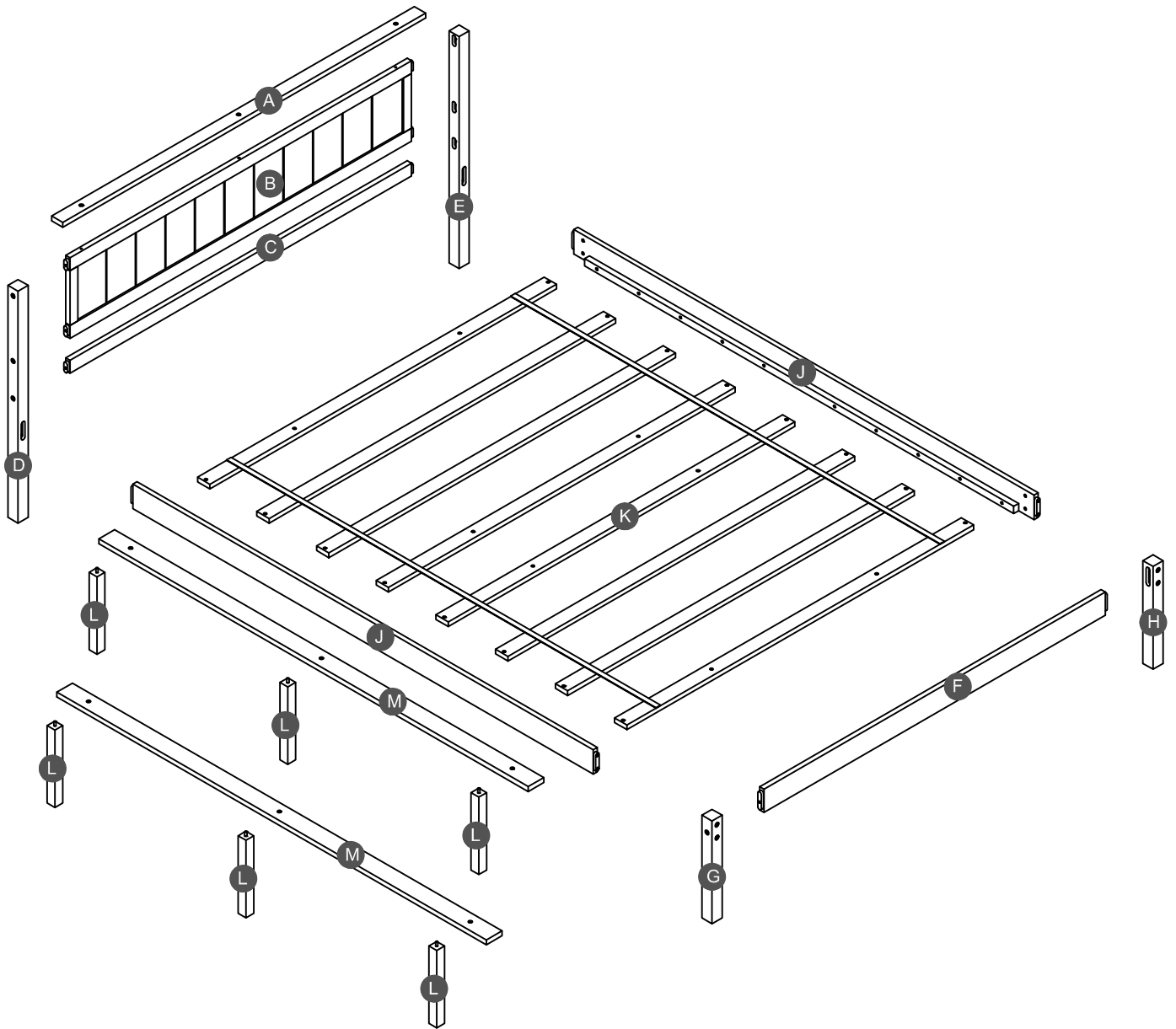


ASSEMBLY INSTRUCTIONS


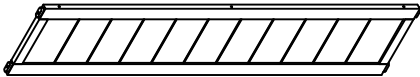
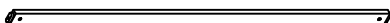
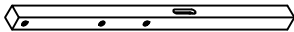
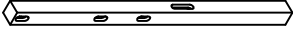
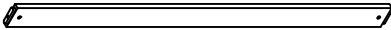
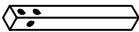
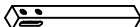

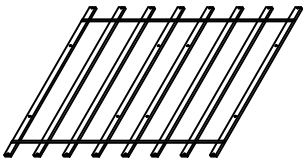
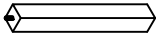

QUEEN BED



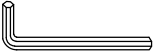
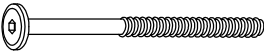
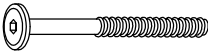



Detail View



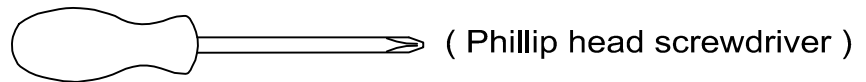
Part List

<p>A</p>  <p>Cap for HB - 1pc</p>	<p>B</p>  <p>HB Frame - 1pc</p>	<p>C</p>  <p>Horizontal bar (HB)- 1pc</p>
<p>D</p>  <p>Leg HB (Left) - 1pc</p>	<p>E</p>  <p>Leg HB (Right) - 1pc</p>	<p>F</p>  <p>Horizontal (FB) - 1pc</p>
<p>G</p>  <p>Leg FB (Left) - 1pc</p>	<p>H</p>  <p>Leg FB (Right) - 1pc</p>	<p>J</p>  <p>Side rail - 2pcs</p>
<p>K</p>  <p>Slats - 8pcs</p>	<p>L</p>  <p>Leg support - 6pcs</p>	<p>M</p>  <p>Support slat - 2pcs</p>

Hardware List



1  (1/4")4.5*58mm Allen key (1pc)	2  (Ø15)1/4"*100mm Hex-Head bolts (8pcs)	3  (Ø15)1/4"*80mm Hex-Head bolts (8pcs)
4  (Ø12)1/4"*40mm Hex-Head bolts (3pcs)	5  1/4"*15 (9.5mm) Horizontal-Hole bolts(16pcs)	6  Ø4*30mm Wood screws (24pcs)

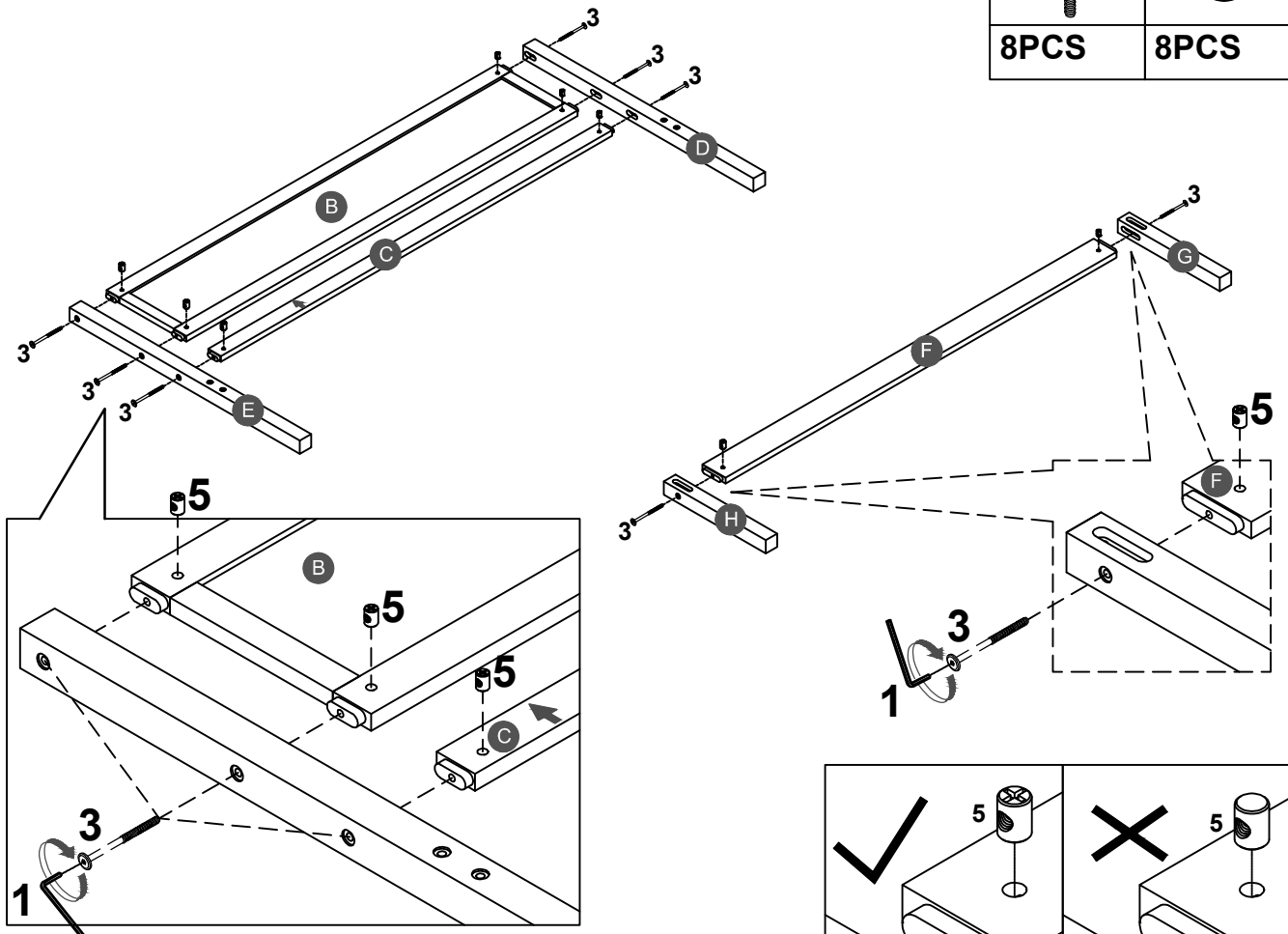
ASSEMBLY TOOLS REQUIRED (NOT INCLUDED)



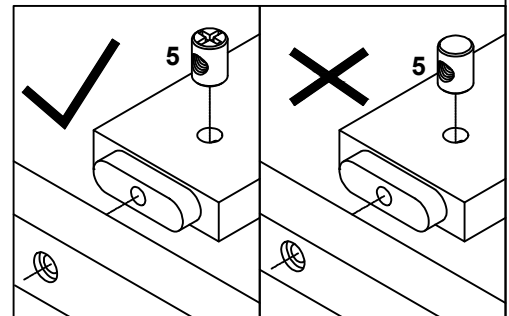
DO NOT USE POWER TOOLS TO ASSEMBLE THIS PRODUCT !

STEP 1:

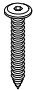
3		5	
8PCS		8PCS	

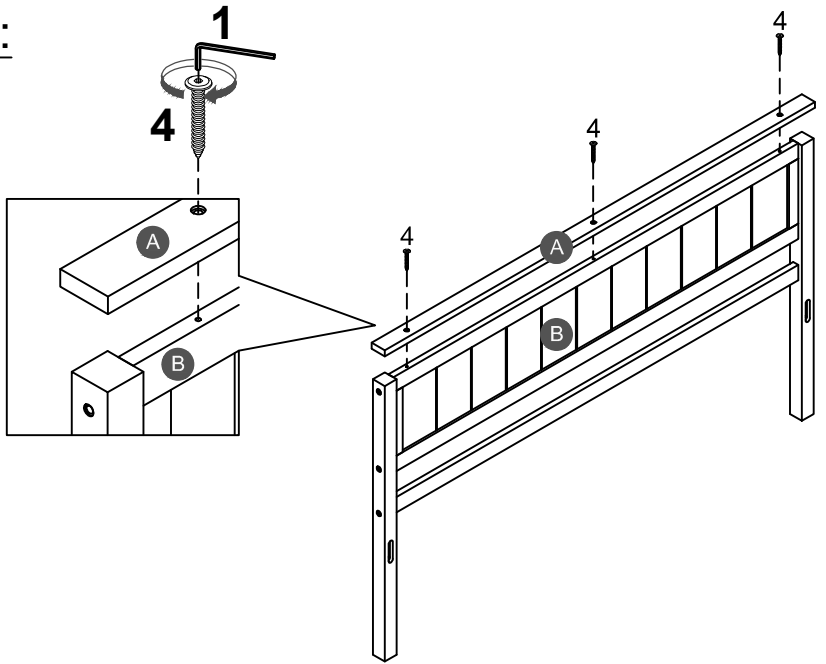


Note: Part 5 will face up with the "x" mark on it, otherwise it cannot be tightened

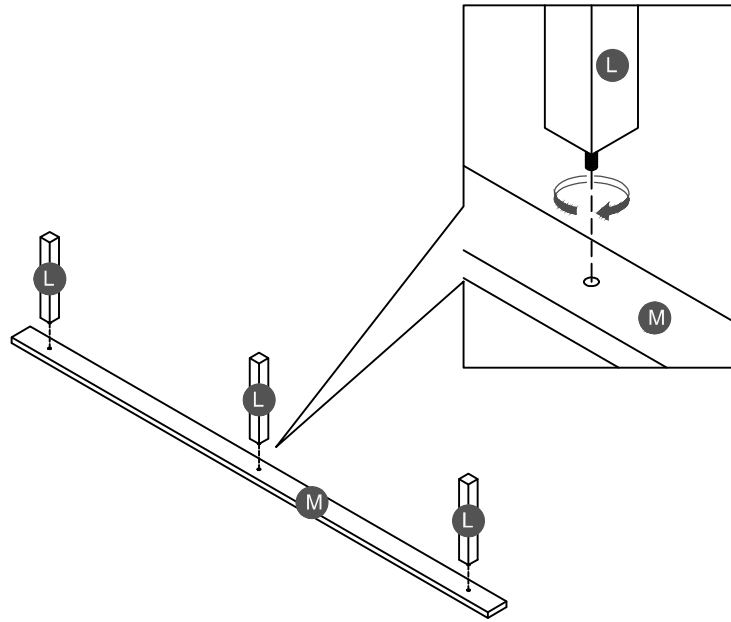


STEP 2:

4	
3PCS	





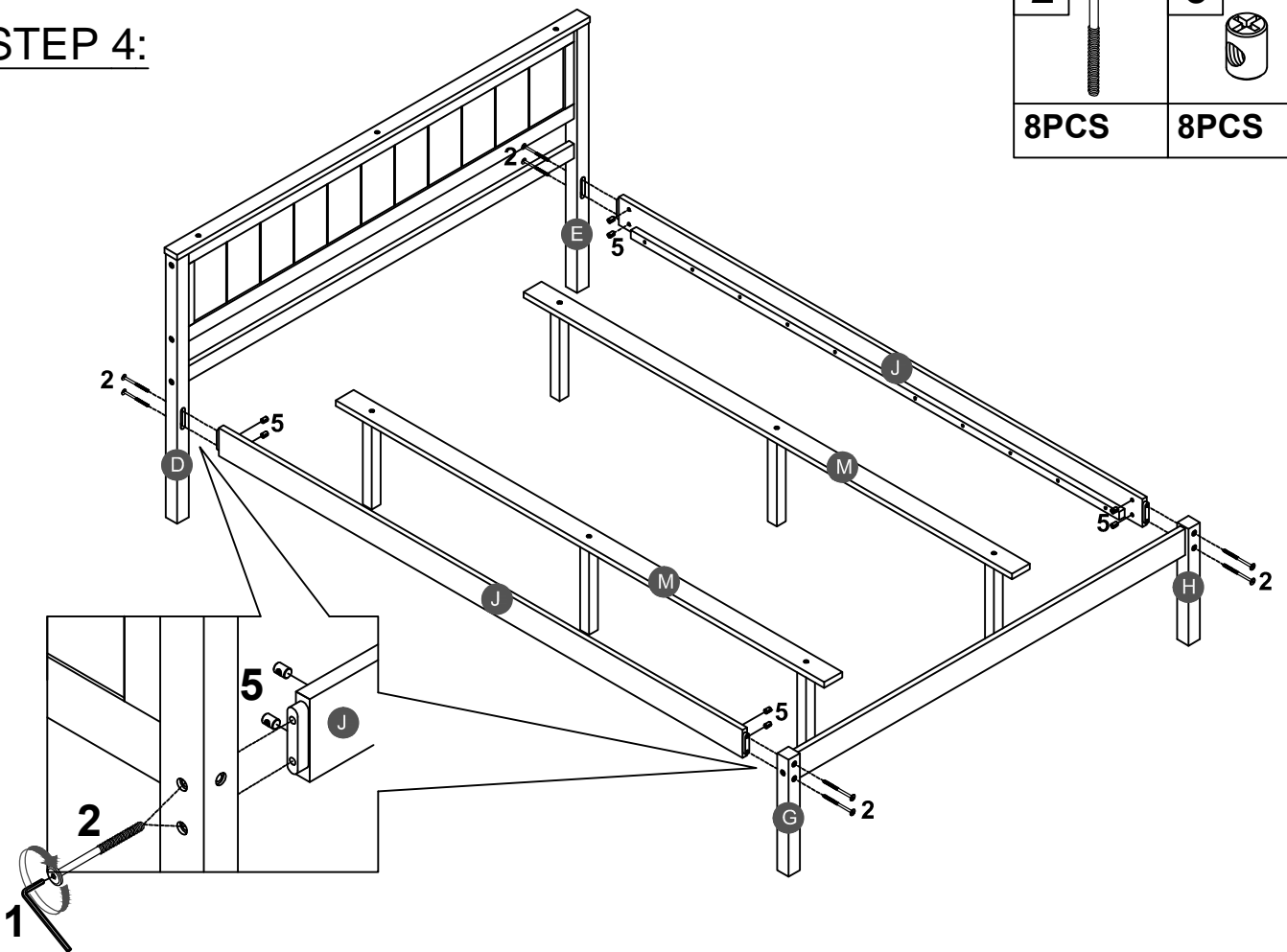
STEP 3:



x 2

STEP 4:

2		5	
8PCS		8PCS	

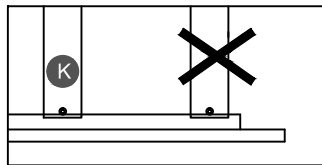
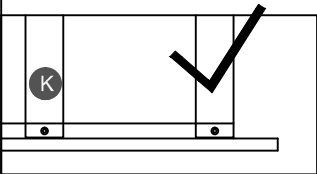
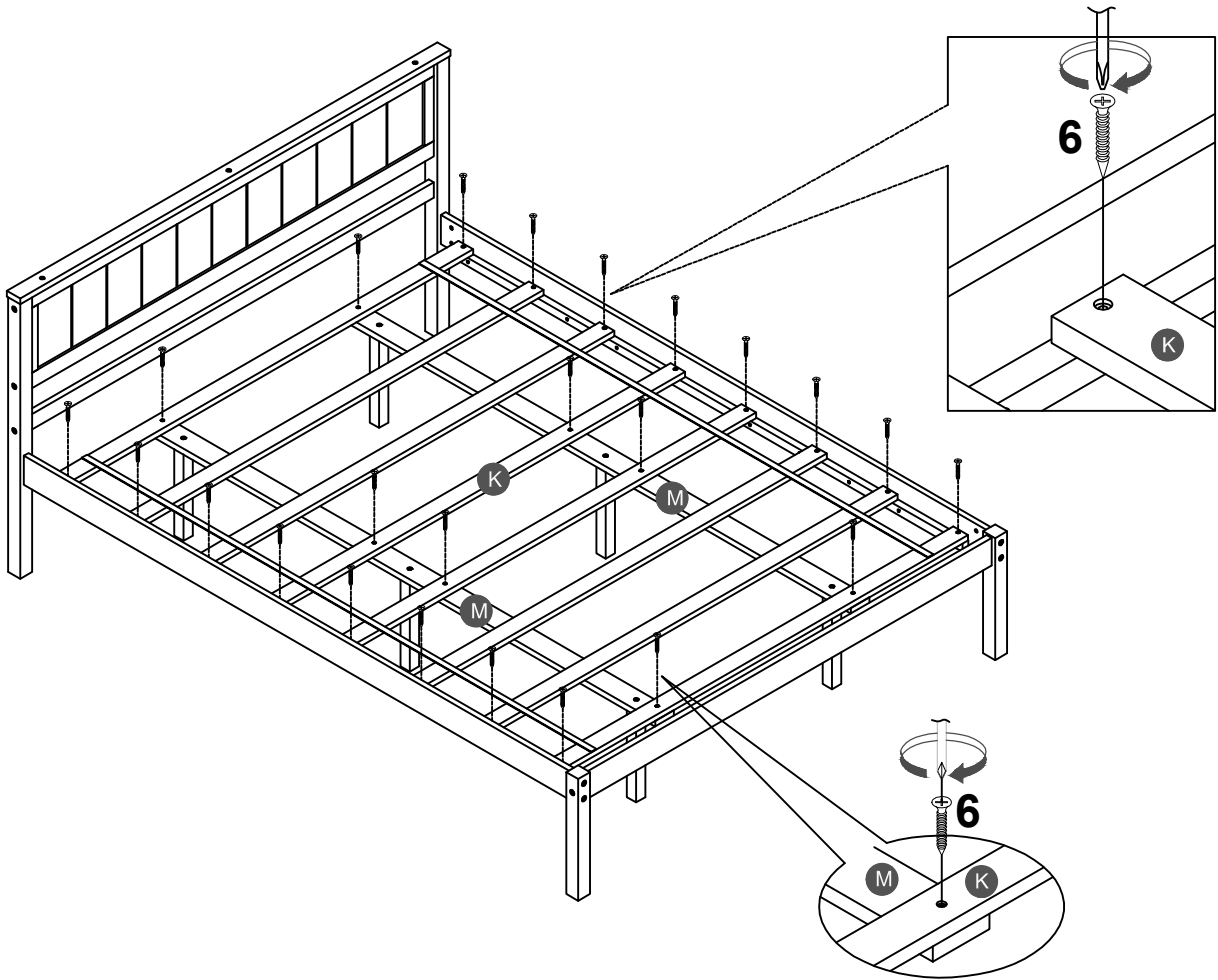


STEP 5:

6



24PCS



Note: Do not lock the screws of the bed slats to the outermost edge of the bed slats, you need to leave a certain space at the edges, otherwise it will cause the board to break