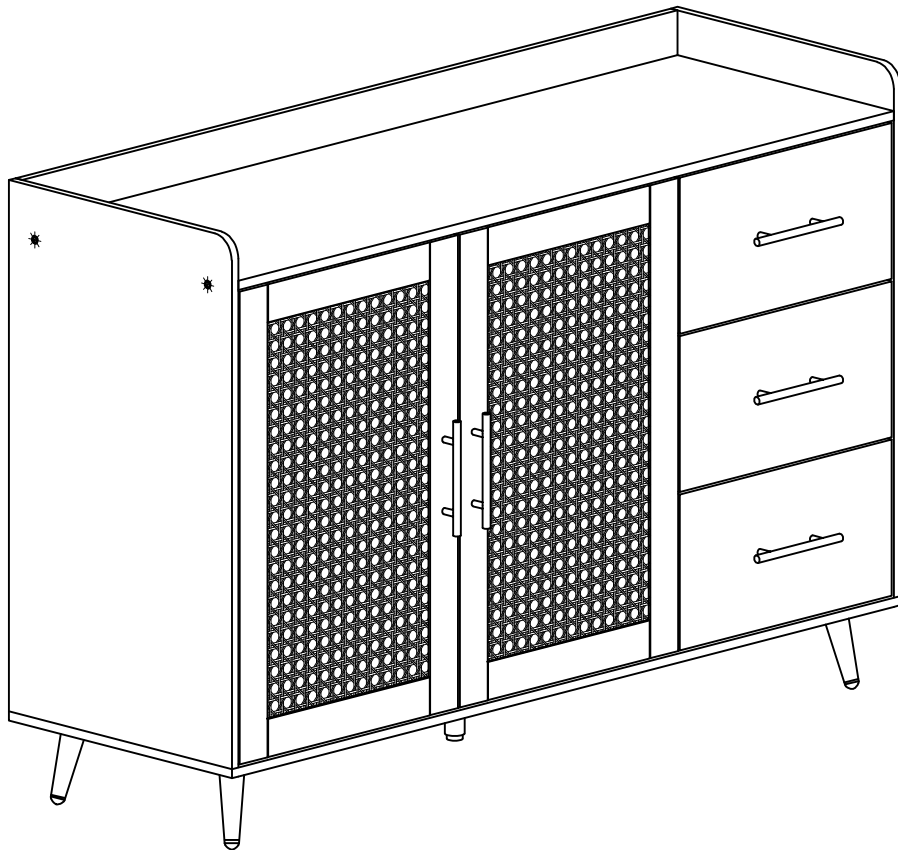




Installation Instruction

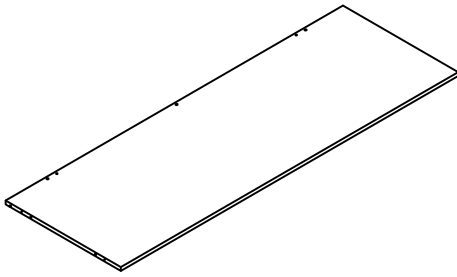
Please don't tighten the screws completely and go back later for a final tightening of all the screws after pieces are aligned with each other.



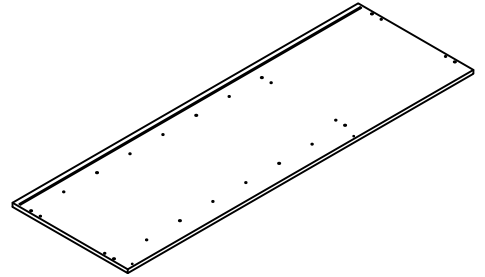
MADE IN CHINA

HARDWARE LIST

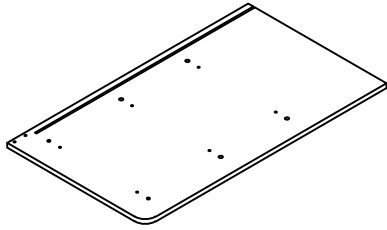
① ×1PCS



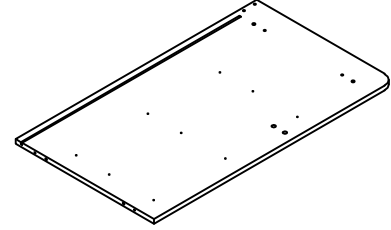
② ×1PCS



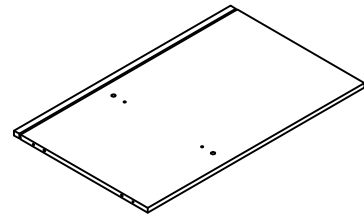
③ ×1PCS



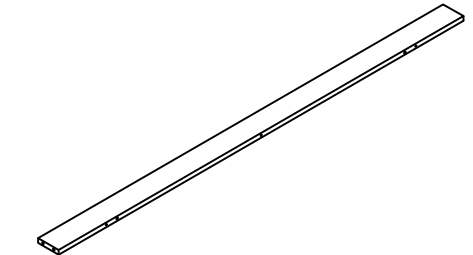
④ ×1PCS



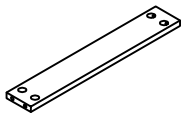
⑤ ×1PCS



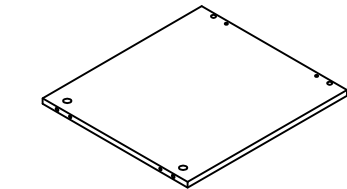
⑥ ×1PCS



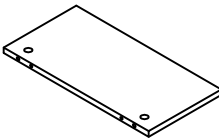
⑦ ×1PCS



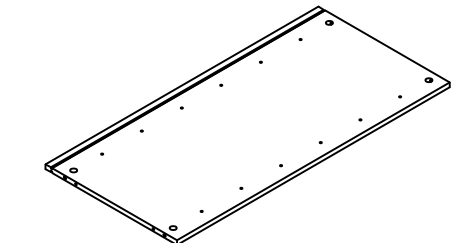
⑧ ×1PCS



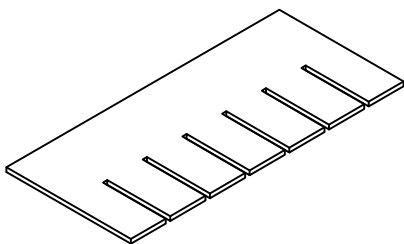
⑨ ×1PCS



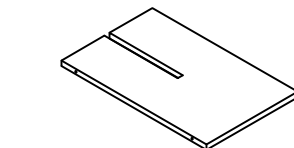
⑩ ×1PCS



⑪ ×1PCS

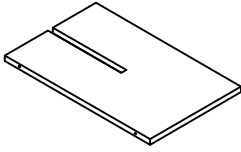


⑫ ×2PCS

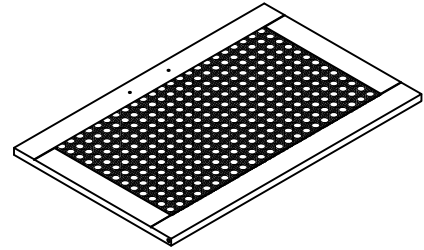


HARDWARE LIST

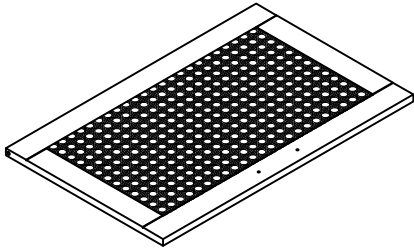
⑬ ×4PC



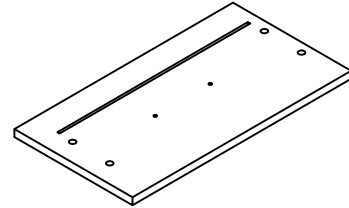
⑭ ×1PC



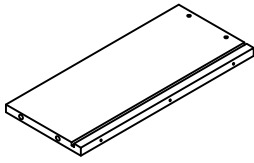
⑮ ×1PCS



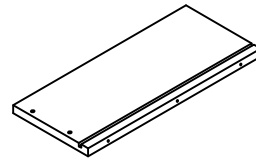
⑯ ×3PCS



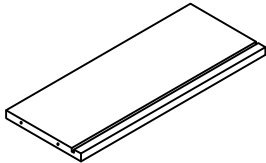
⑰ ×3PCS



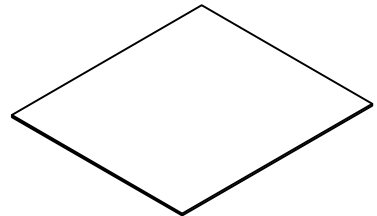
⑱ ×3PCS



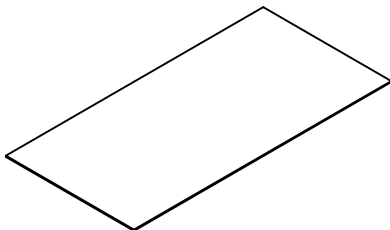
⑲ ×3PCS



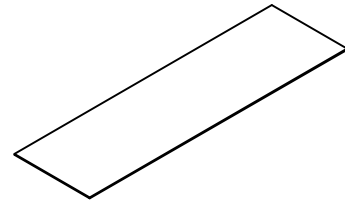
⑳ ×3PCS



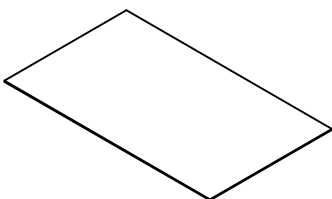
㉑ ×1PCS

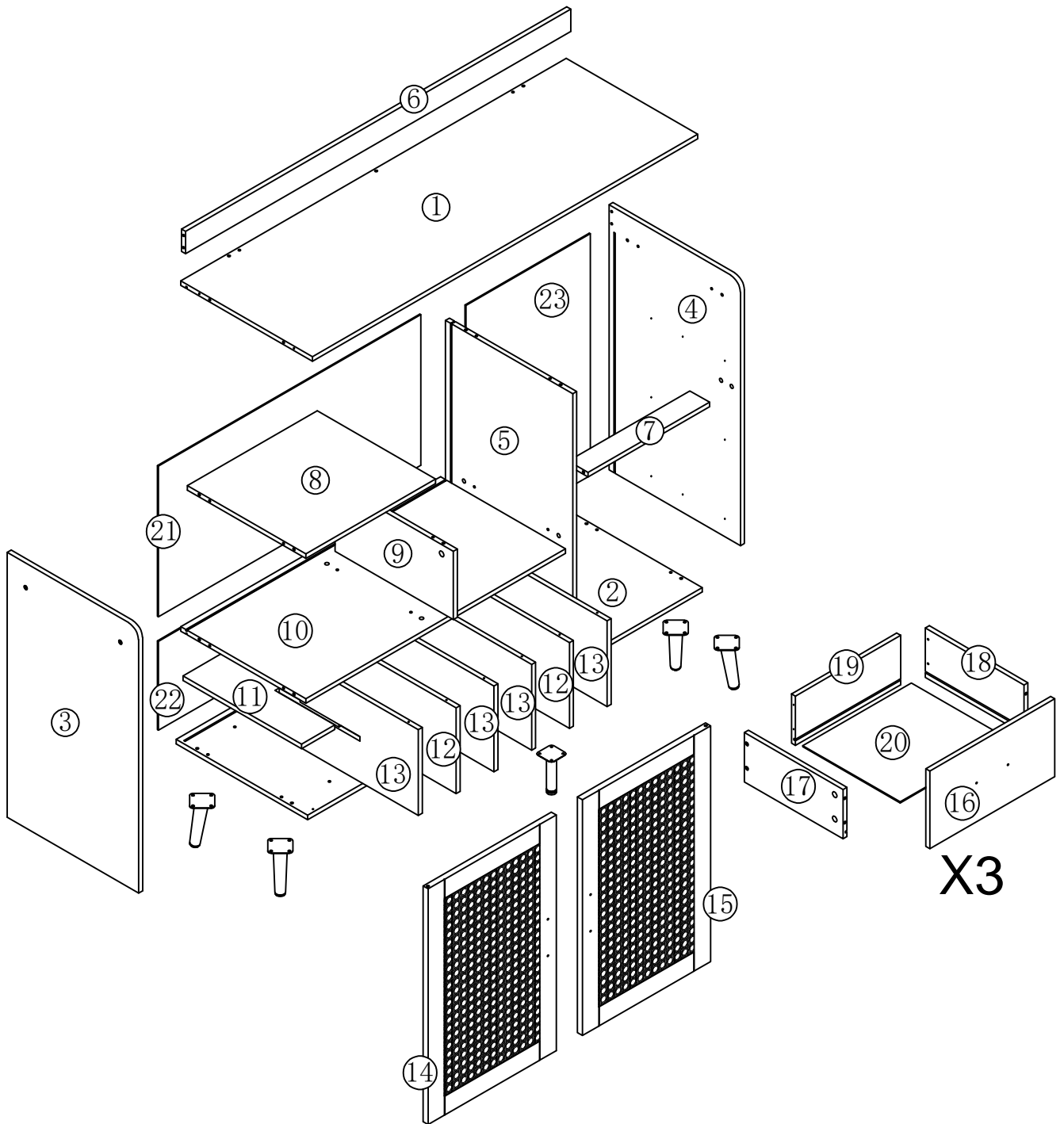


㉒ ×1PCS

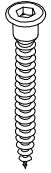


㉓ ×1PCS

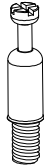




PARTA LIST



M5X45mm
A×19+2PCS



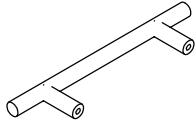
Ø6x32mm
B×26+2PCS



Ø15x9.8mm
C×26+2PCS



Ø6*30mm
D×48+2PCS



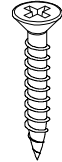
Ø10*150*35mm
E×5PCS



Ø8*M4*20mm
F×10+1PCS



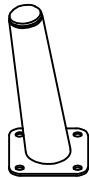
Ø7*M3.5*12mm
G×38+3PCS



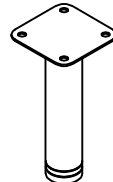
Ø8*M4*35mm
H×12+2PCS



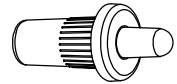
Ø8*M4*12mm
I×20+2PCS



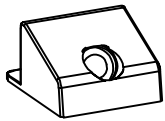
54x54x120mm
J×4PCS



54x54x115mm
K×1PCS



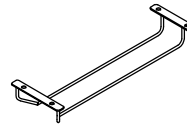
L×4PCS



M1×12+1PCS



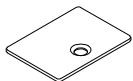
Ø6*M3*16mm
M2×12+1PCS



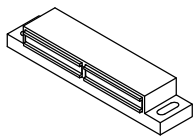
320*104*42mm
N×3PCS



M6*10mm
O×12+1PCS



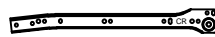
P×2PCS




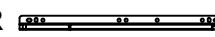
Q1×1PCS



Ø8*M3*14mm
Q2×2+1PCS

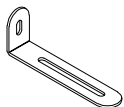
CR  3PCS

CL  3PCS

DR  3PCS

DL  3PCS

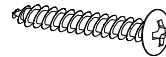
L:300mm



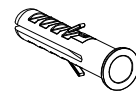
R1×2PCS



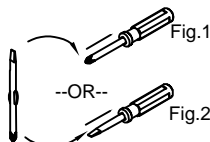
Ø8*M4*12mm
R2×2PCS



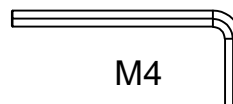
Ø8*M4*35mm
R3×2PCS



R4×2PCS

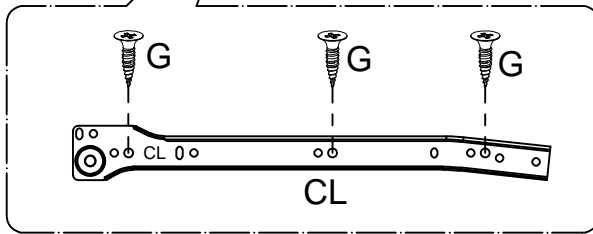
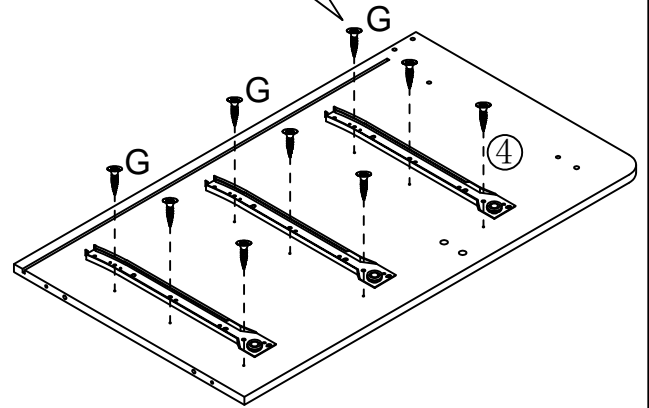
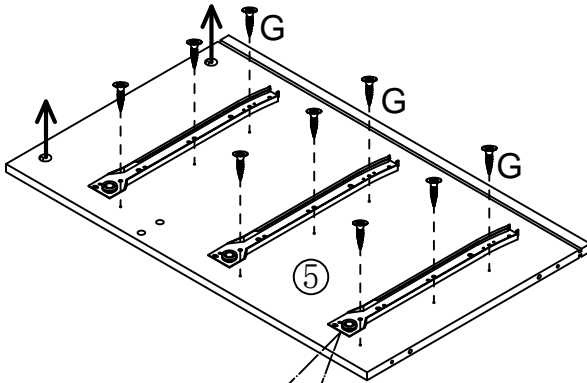
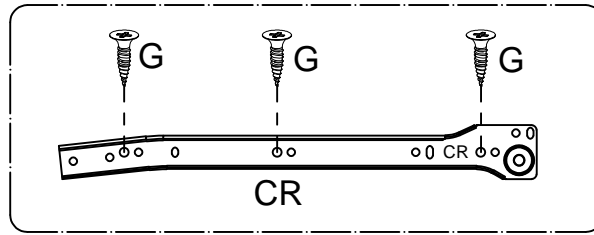


1PCS



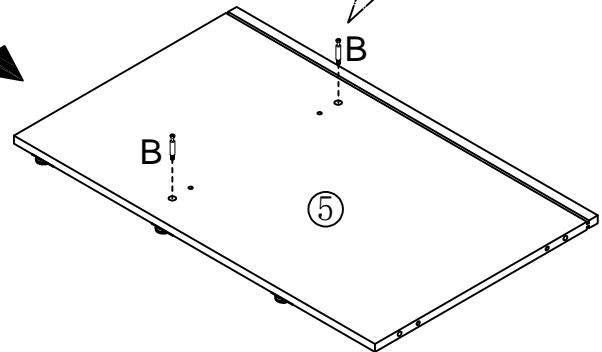
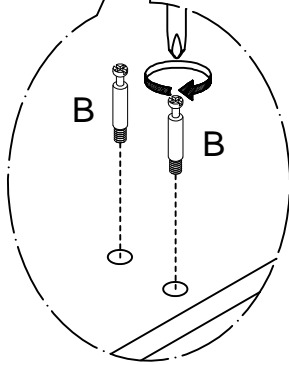
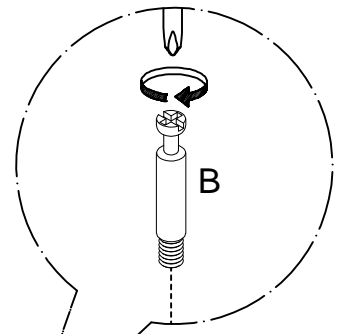
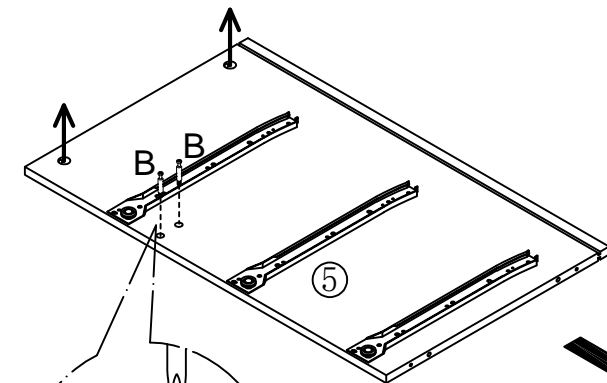
M4
1PCS

1



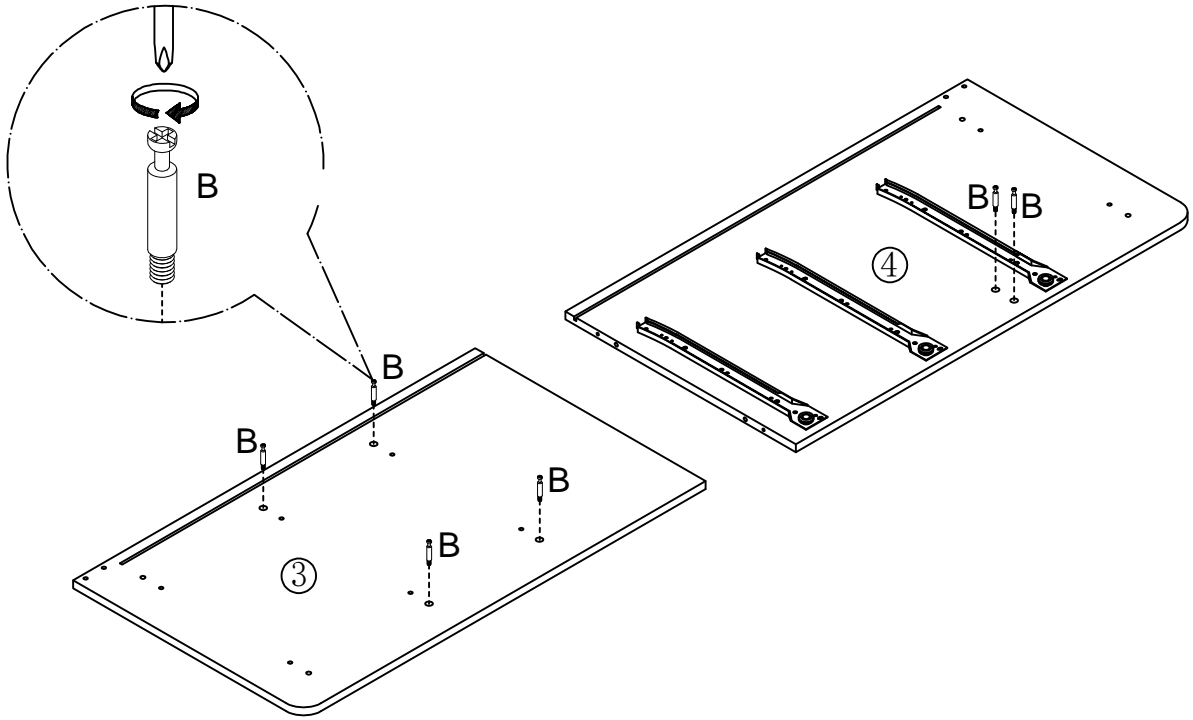
- G×18PCS
- CR×3PCS
- CL×3PCS
- ④×1PCS
- ⑤×1PCS

2



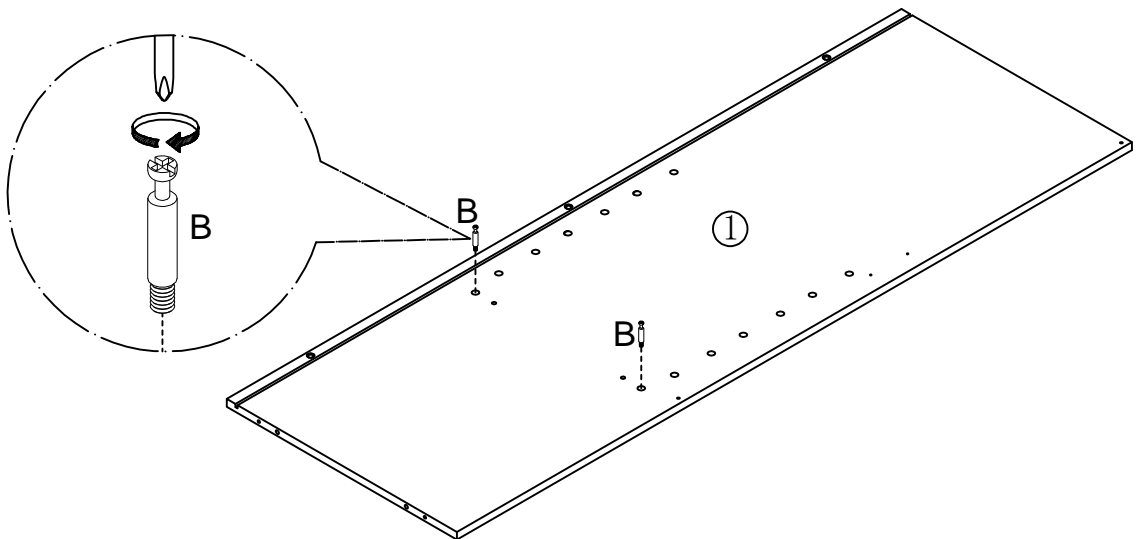
B×4PCS

3



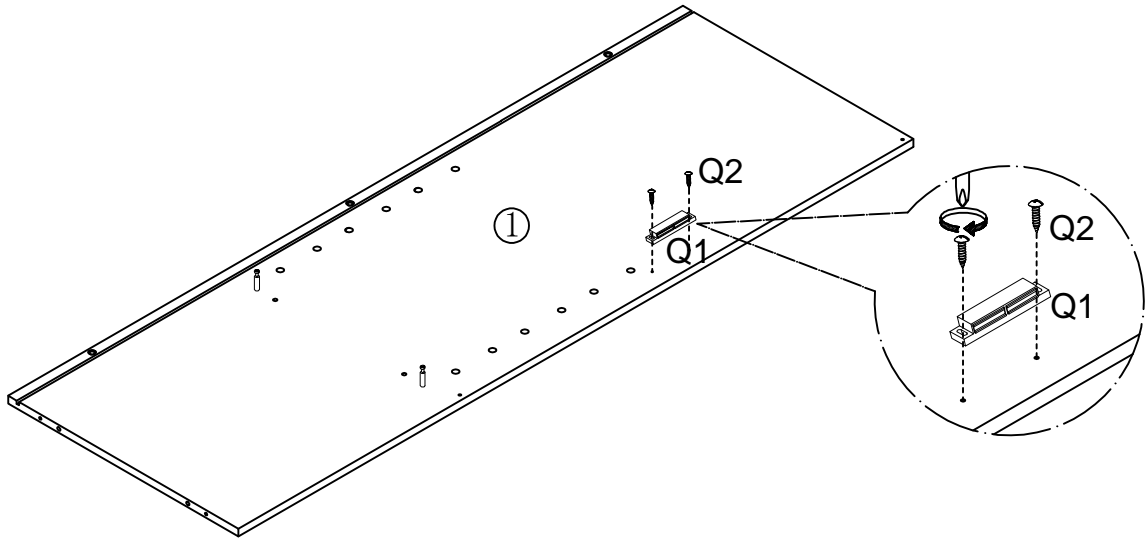
B×6PCS
③×1PCS

4



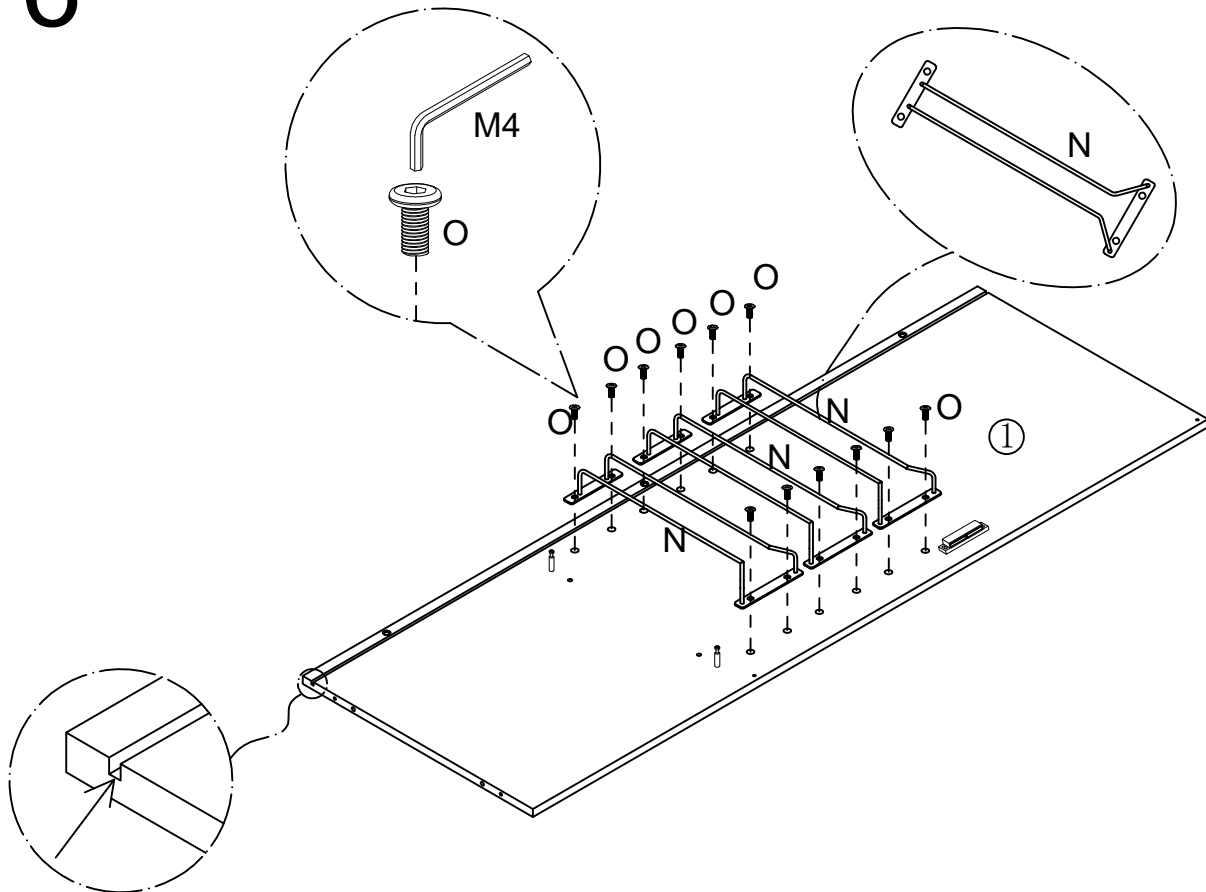
B×2PCS
①×1PCS

5



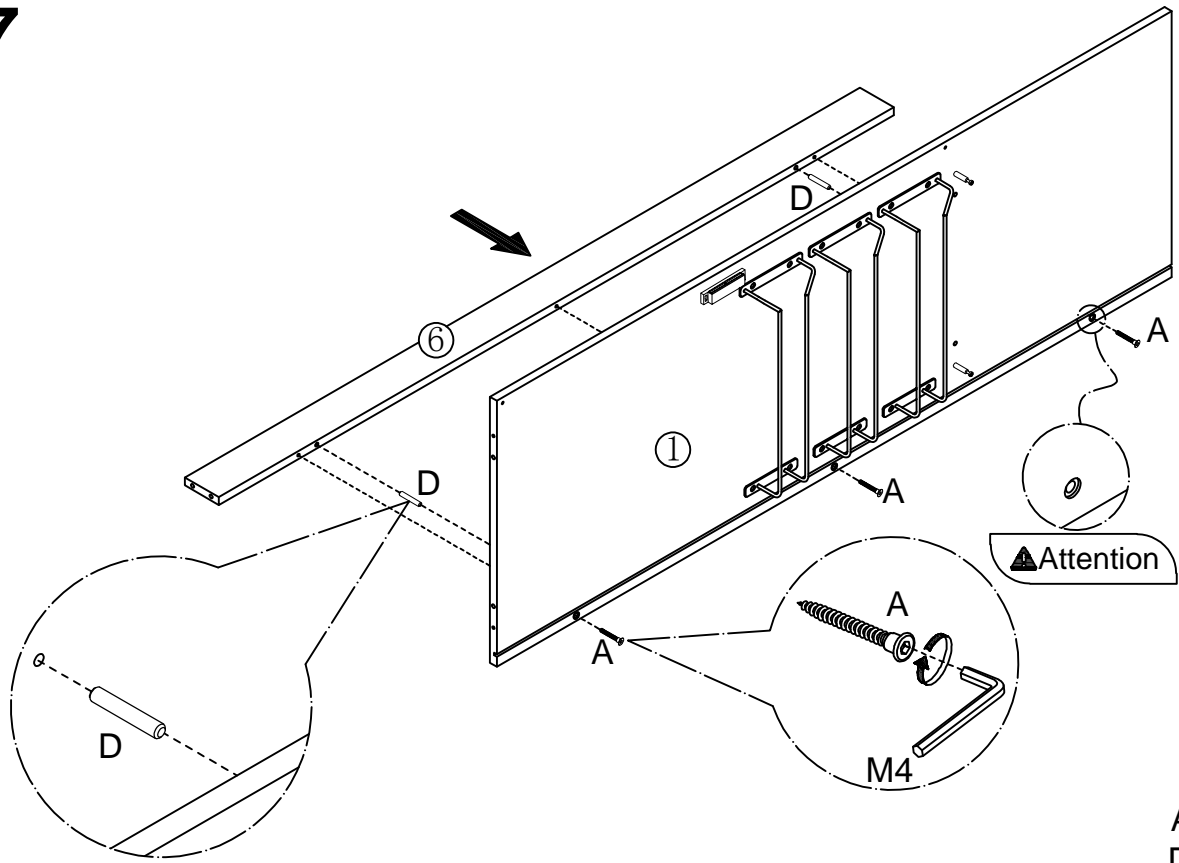
Q1×1PCS
Q2×2PCS

6



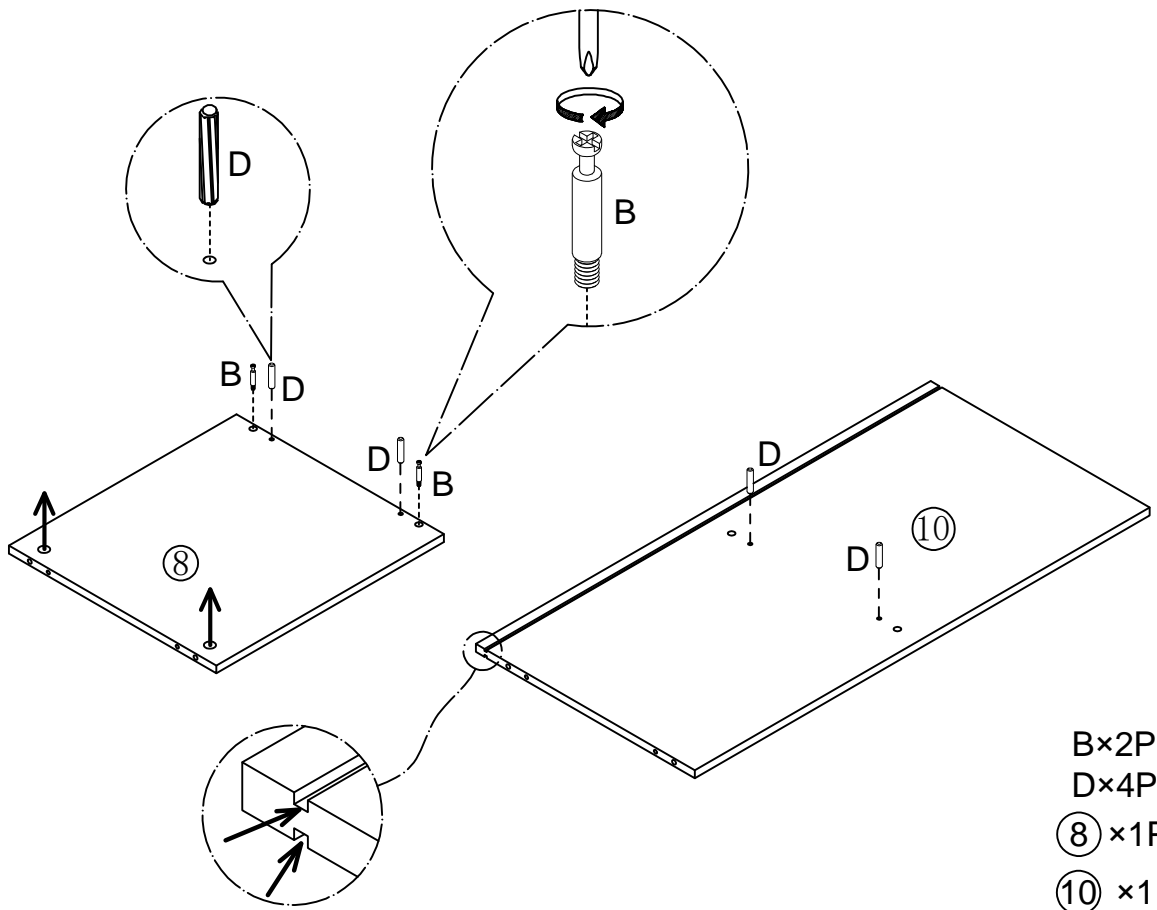
N×3PCS
O×12PCS

7



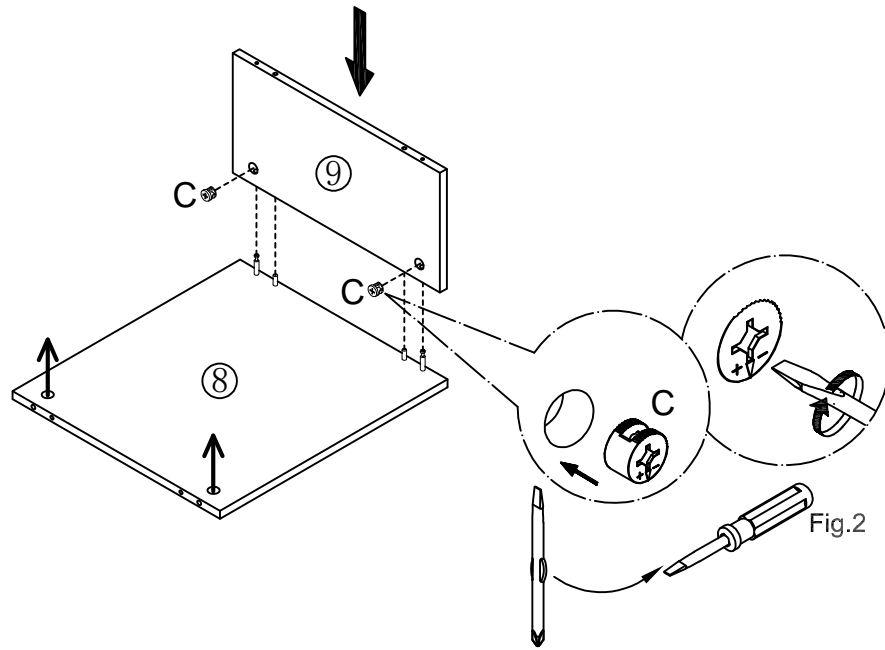
A×3PCS
D×2PCS
⑥×1PCS

8



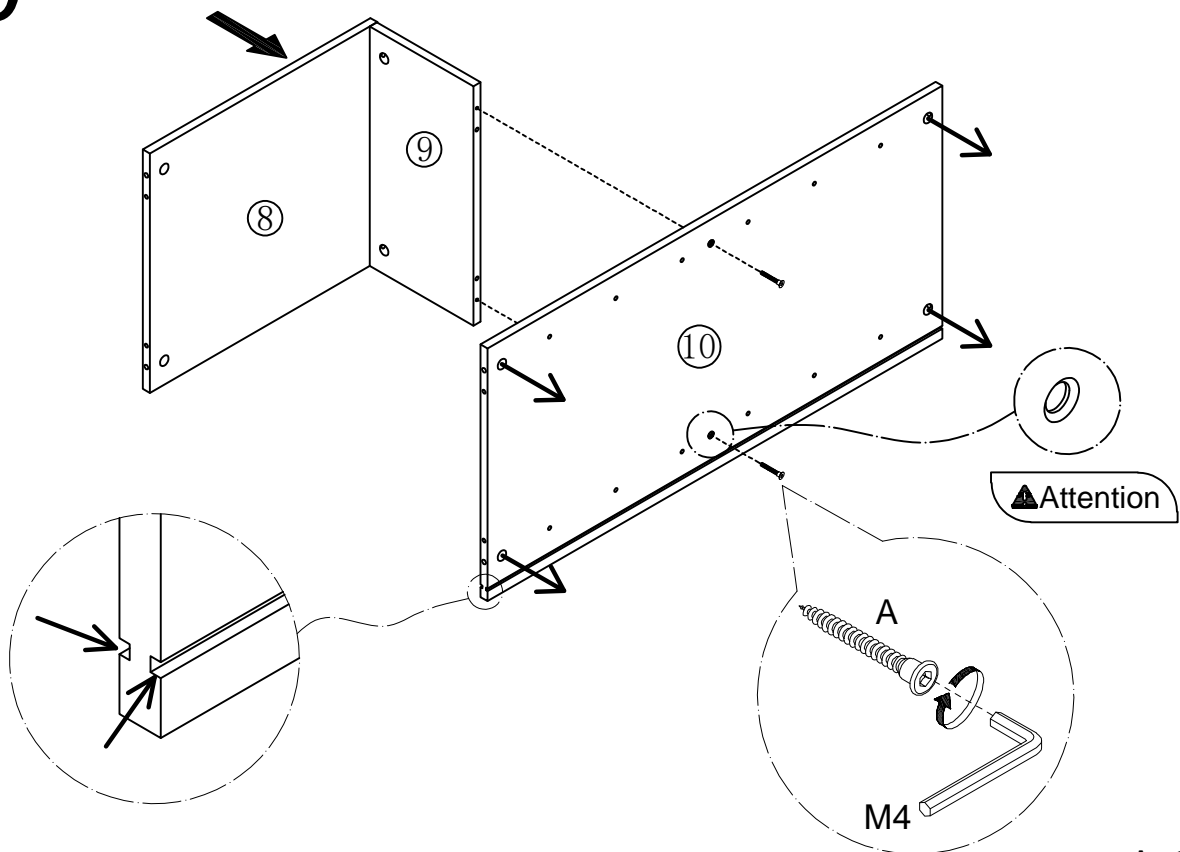
B×2PCS
D×4PCS
⑧×1PCS
⑩×1PCS

9



C×2PCS
⑨×1PCS

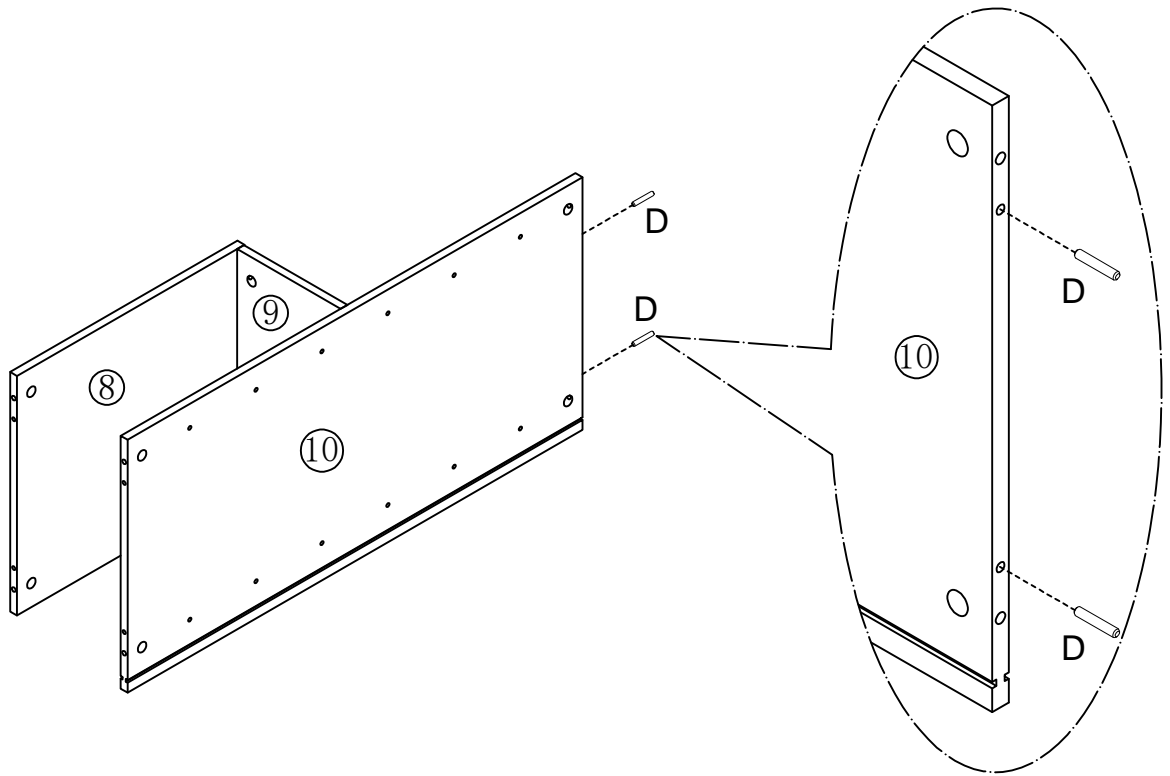
10



A×2PCS

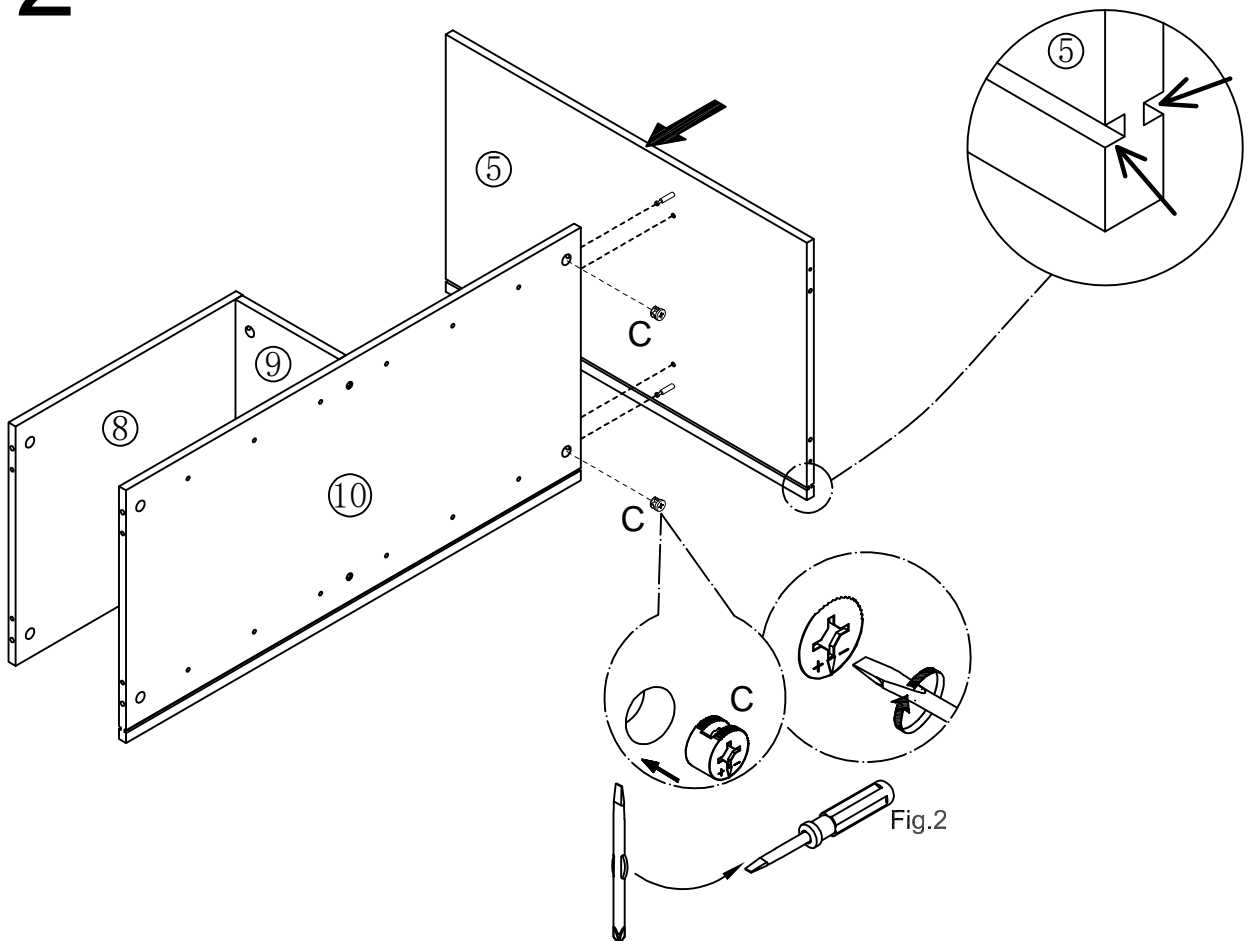
P10/27

11



D×2PCS

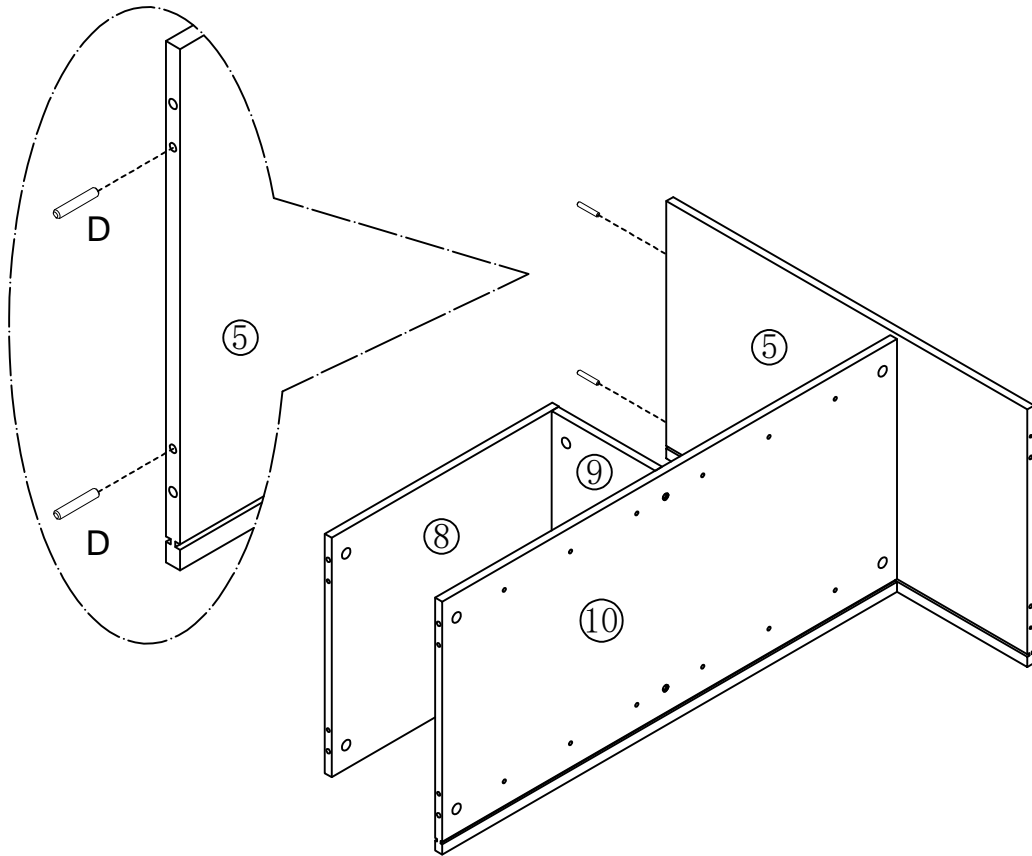
12



C×2PCS

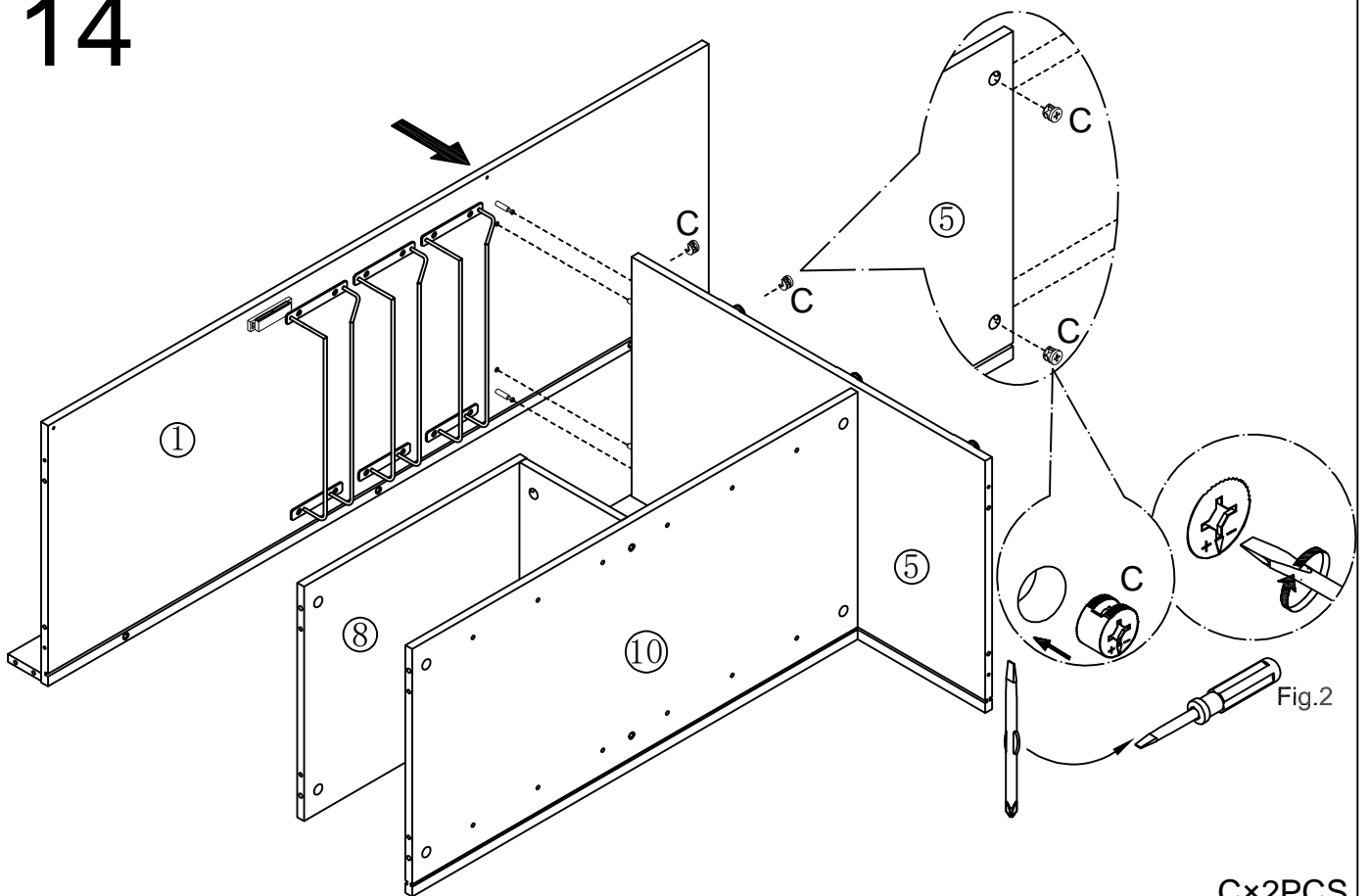
P11/27

13



D×2PCS

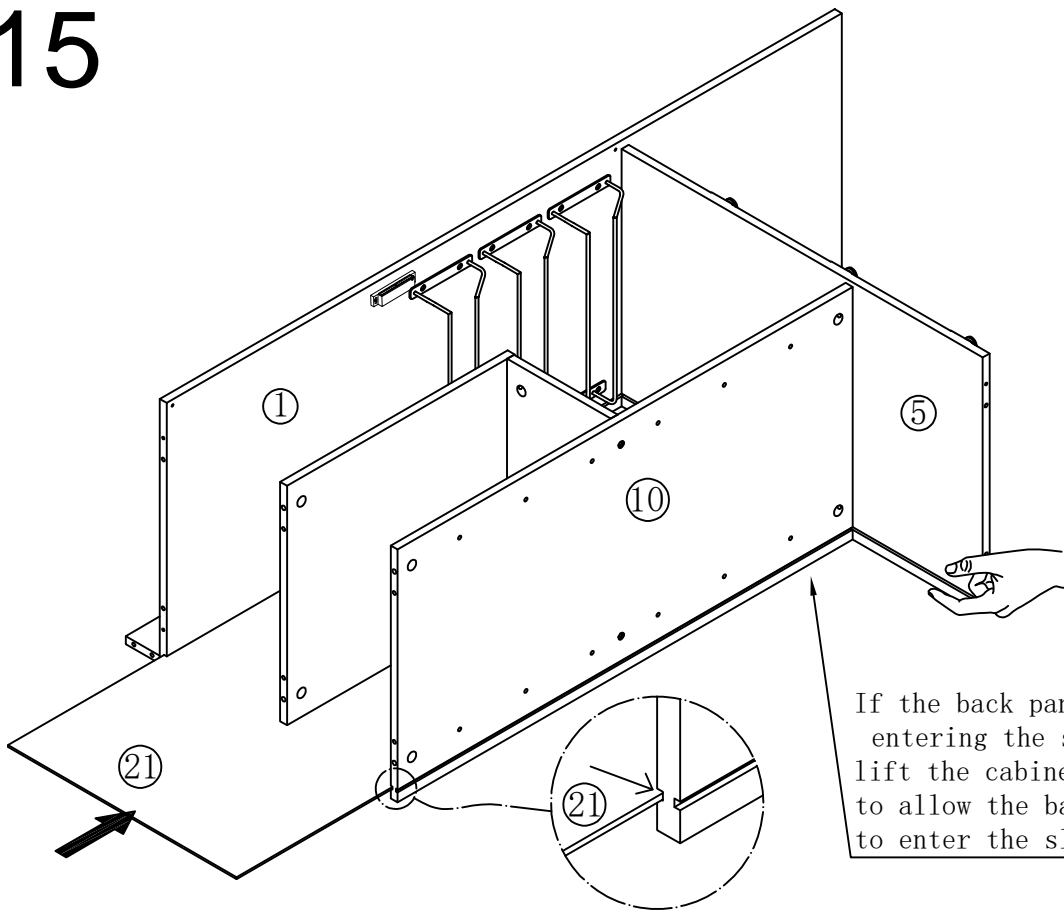
14



C×2PCS

P12/27

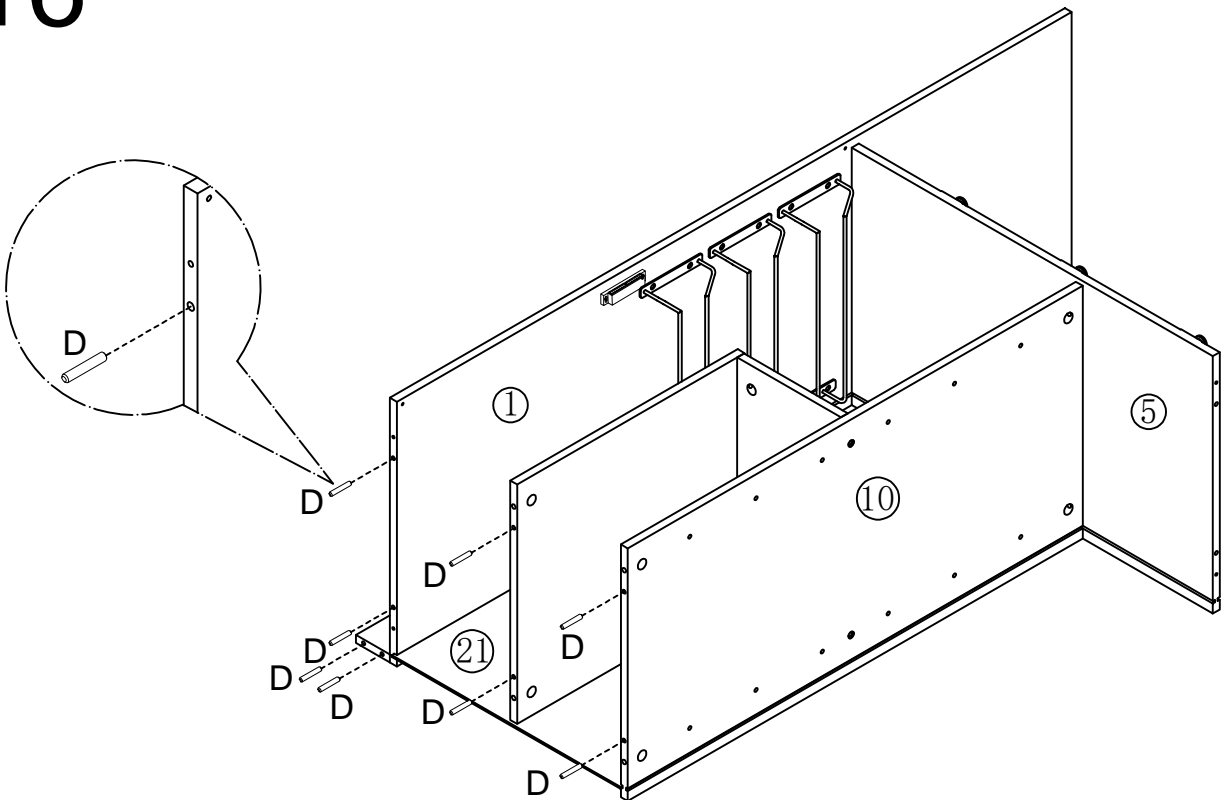
15



If the back panel is blocked from entering the slot here, lift the cabinet by hand to allow the back panel to enter the slot

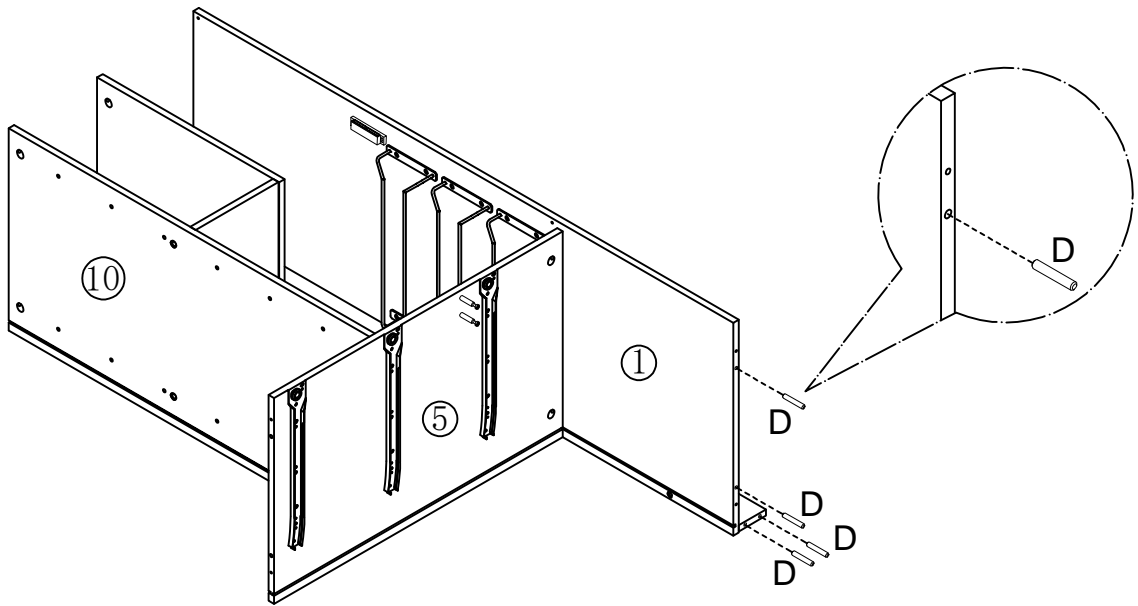
(21) ×1PCS

16



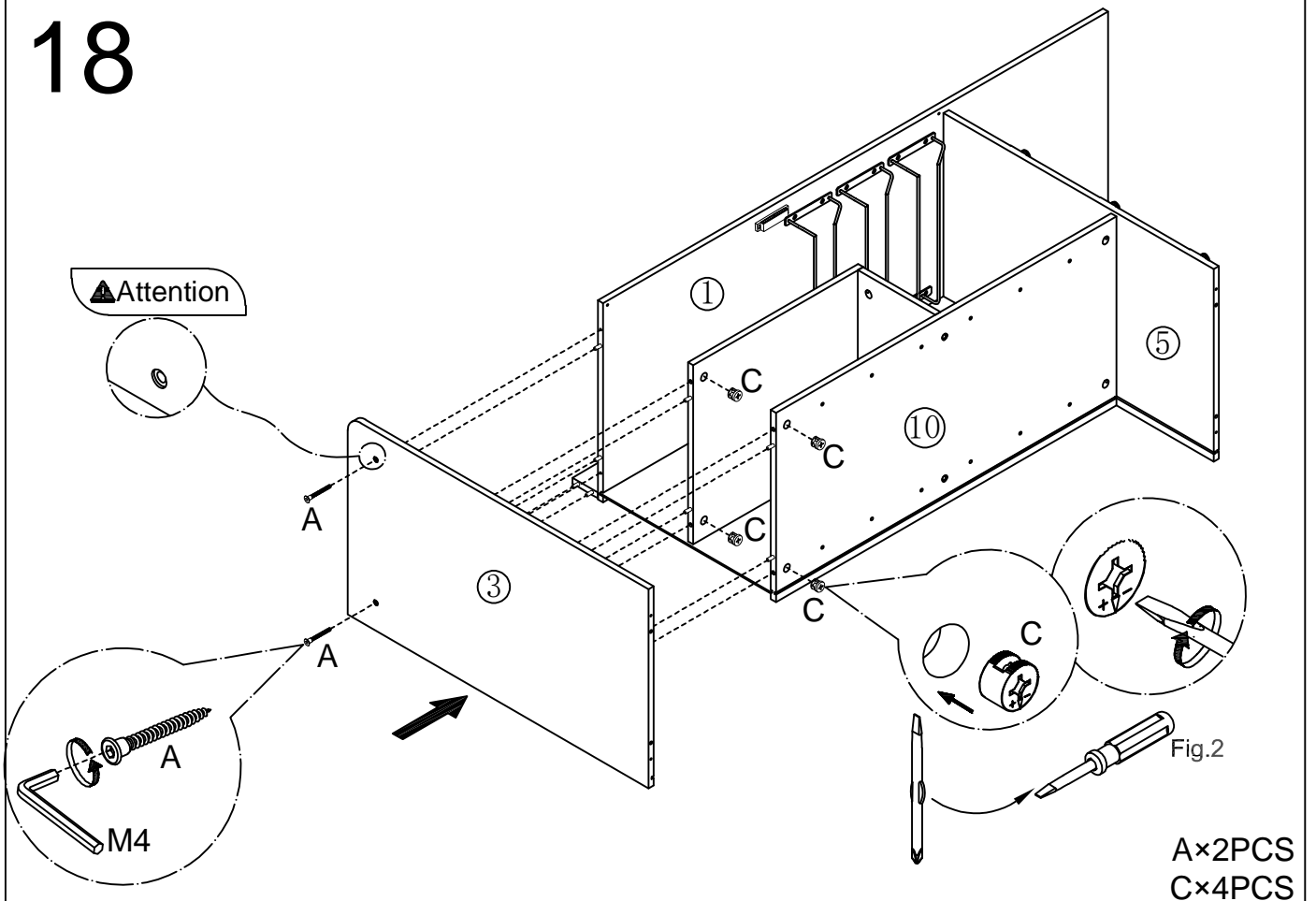
D×8PCS

17



D×4PCS

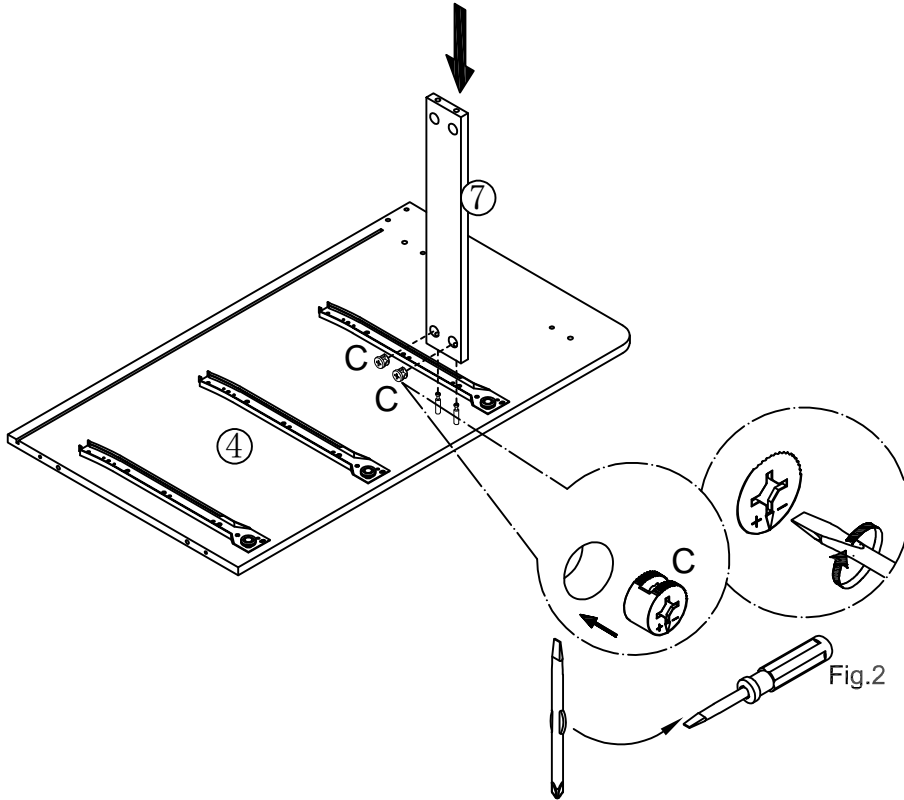
18



A×2PCS
C×4PCS

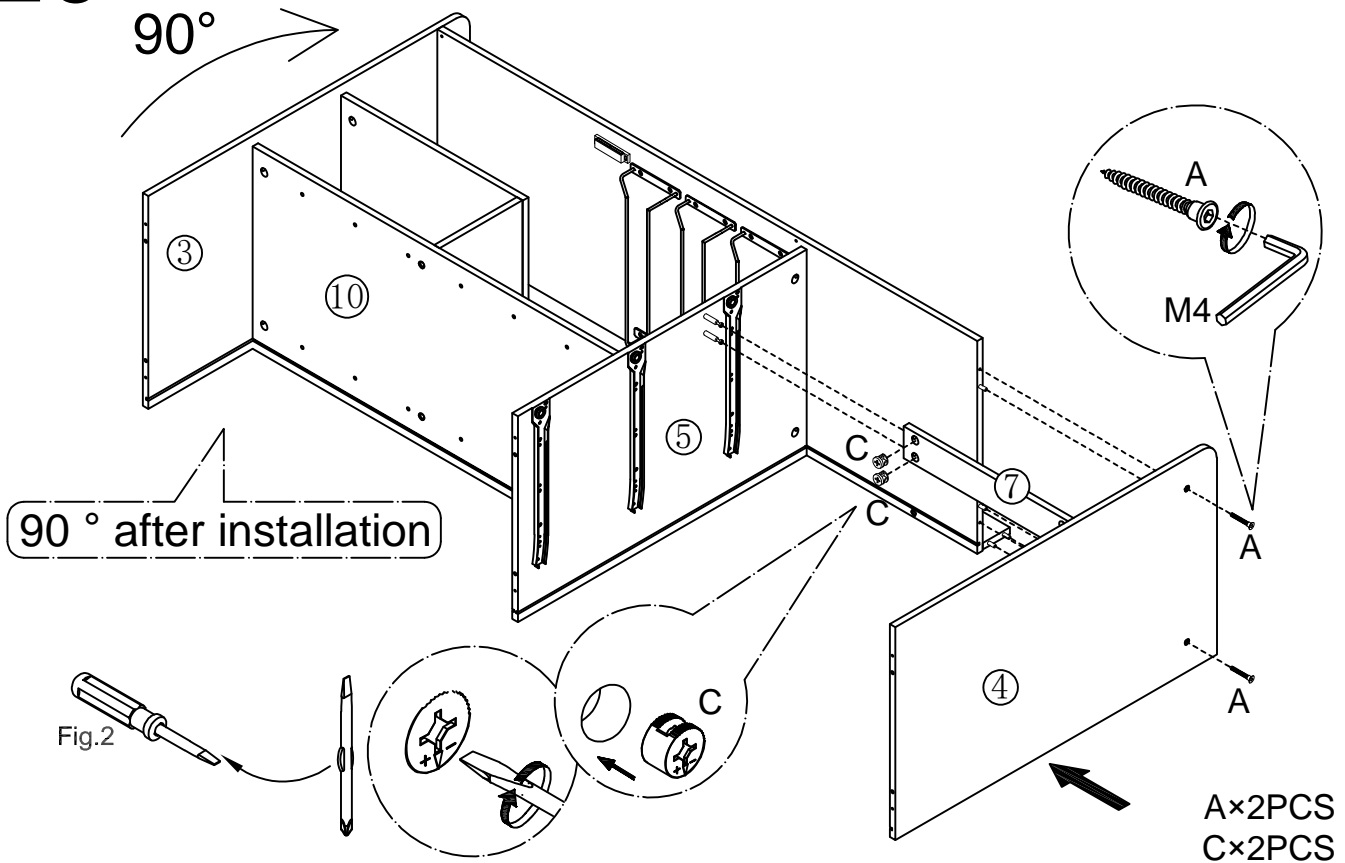
P14/27

19



C×2PCS
⑦×1PCS

20

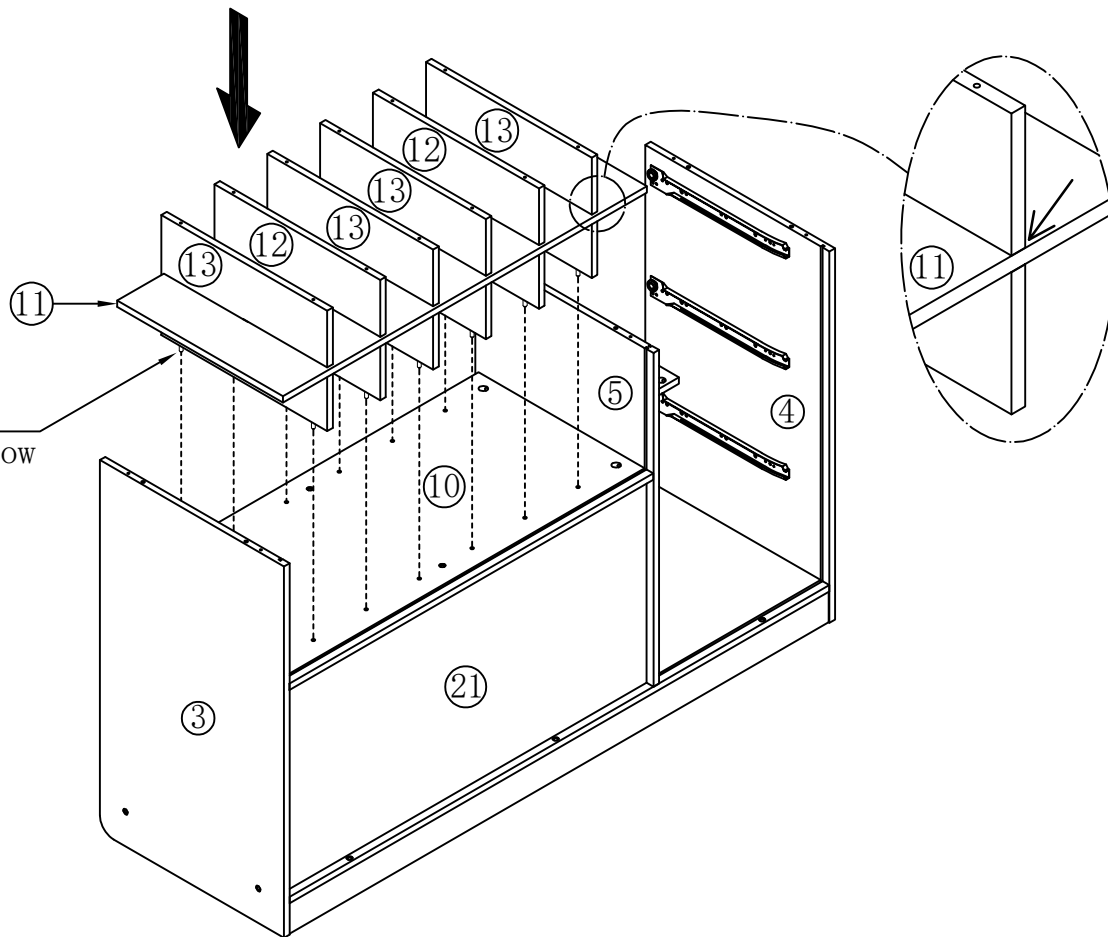


A×2PCS
C×2PCS

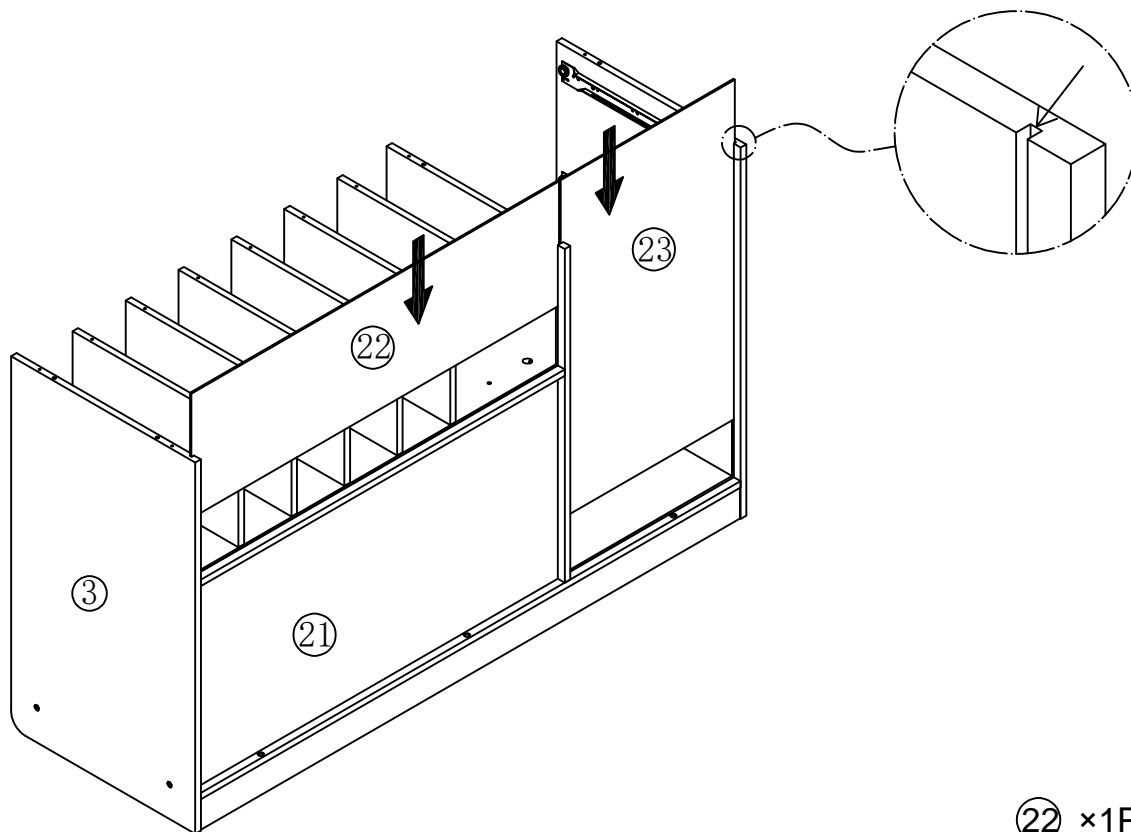
P15/27

23

The wooden
tenon is below



24

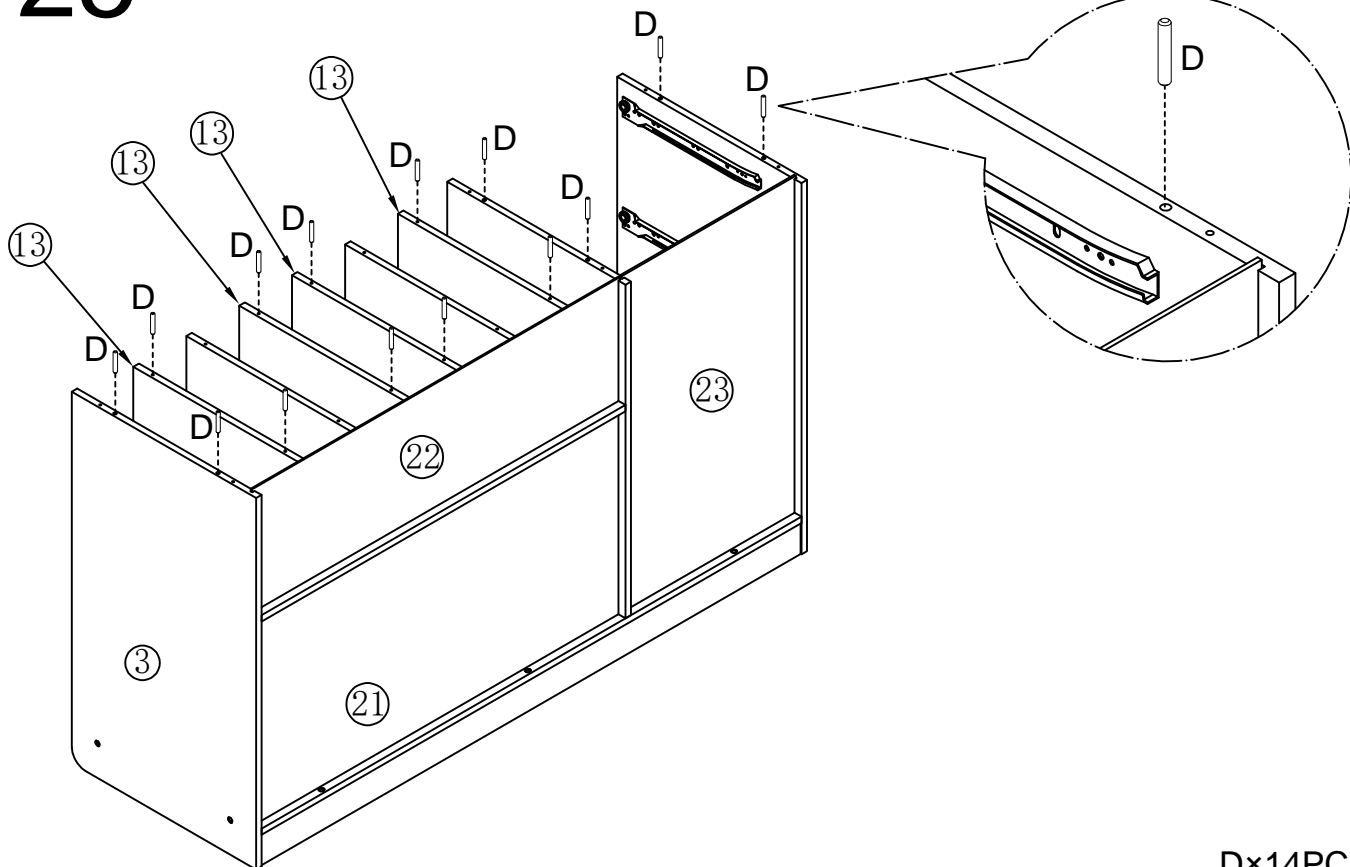


②② ×1PCS

②③ ×1PCS

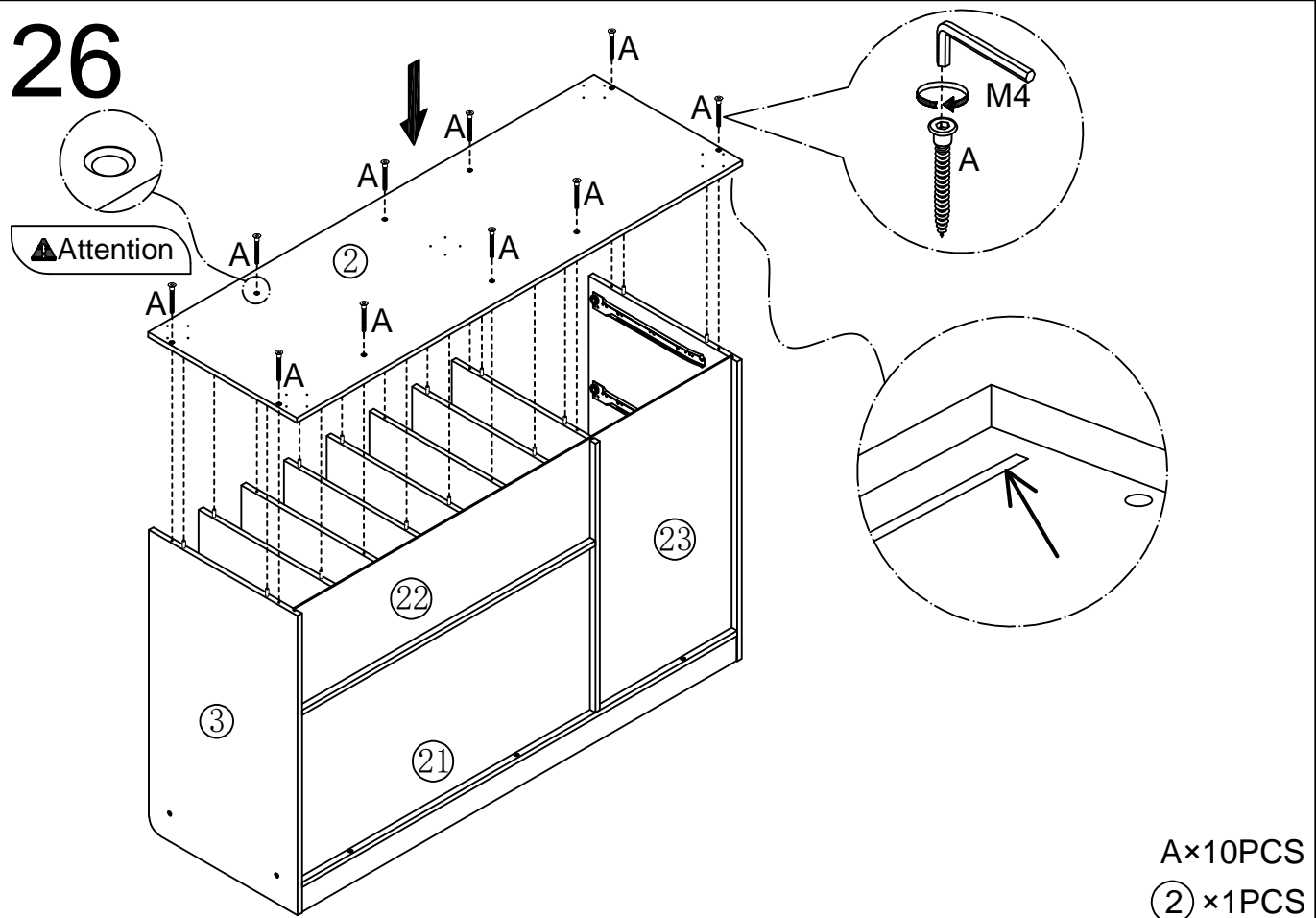
P17/27

25



D×14PCS

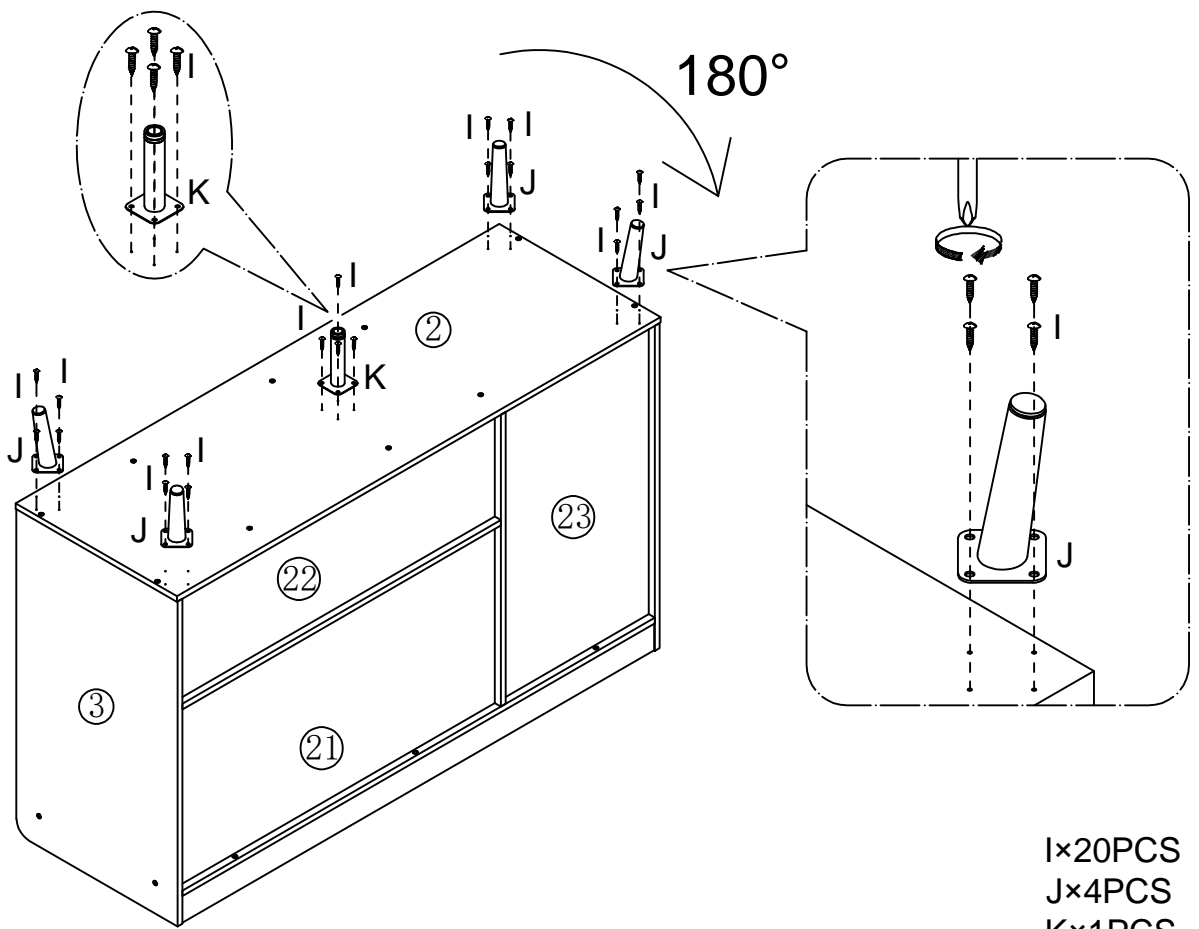
26



A×10PCS

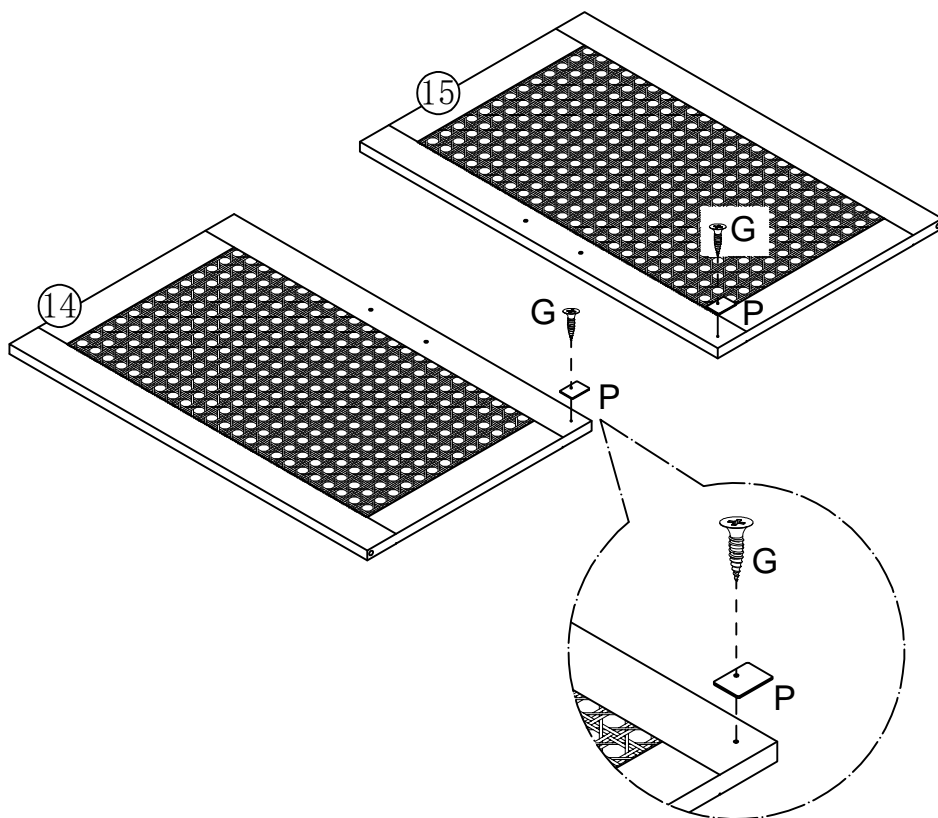
②×1PCS

27



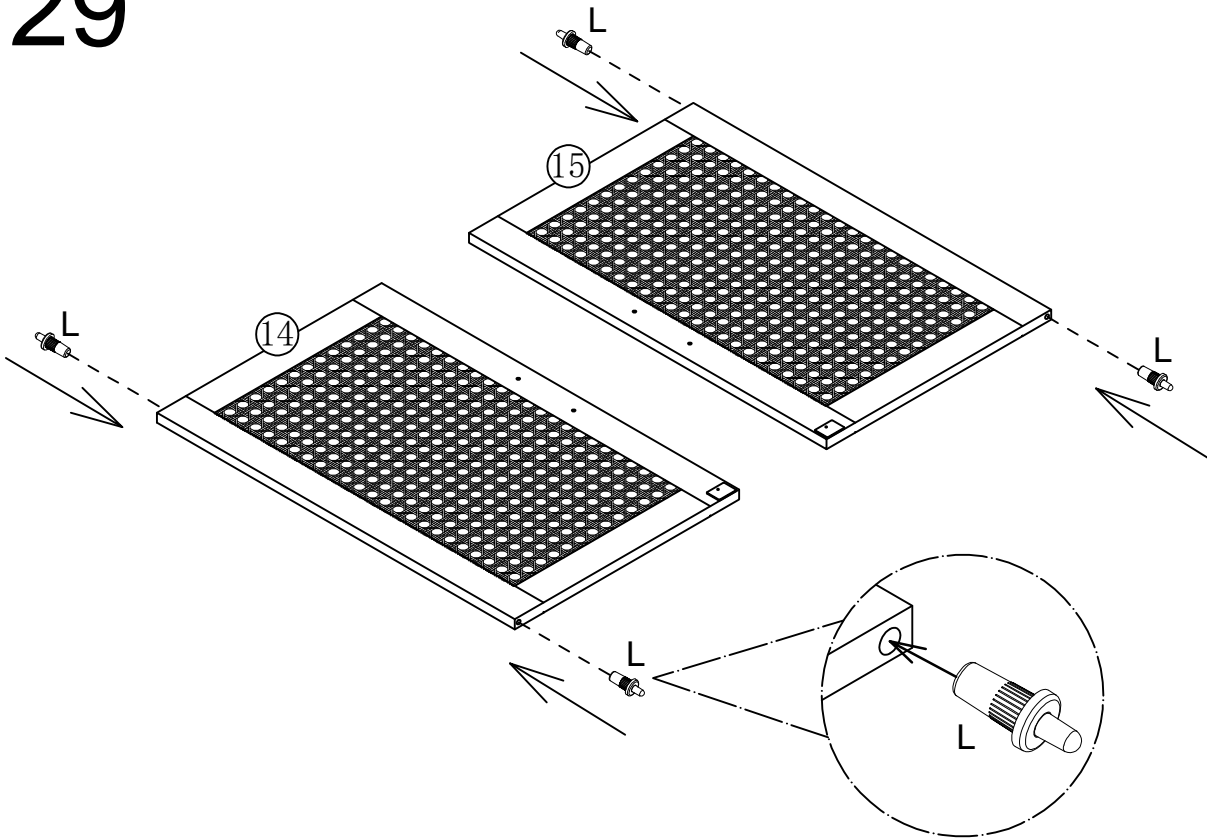
I×20PCS
J×4PCS
K×1PCS

28



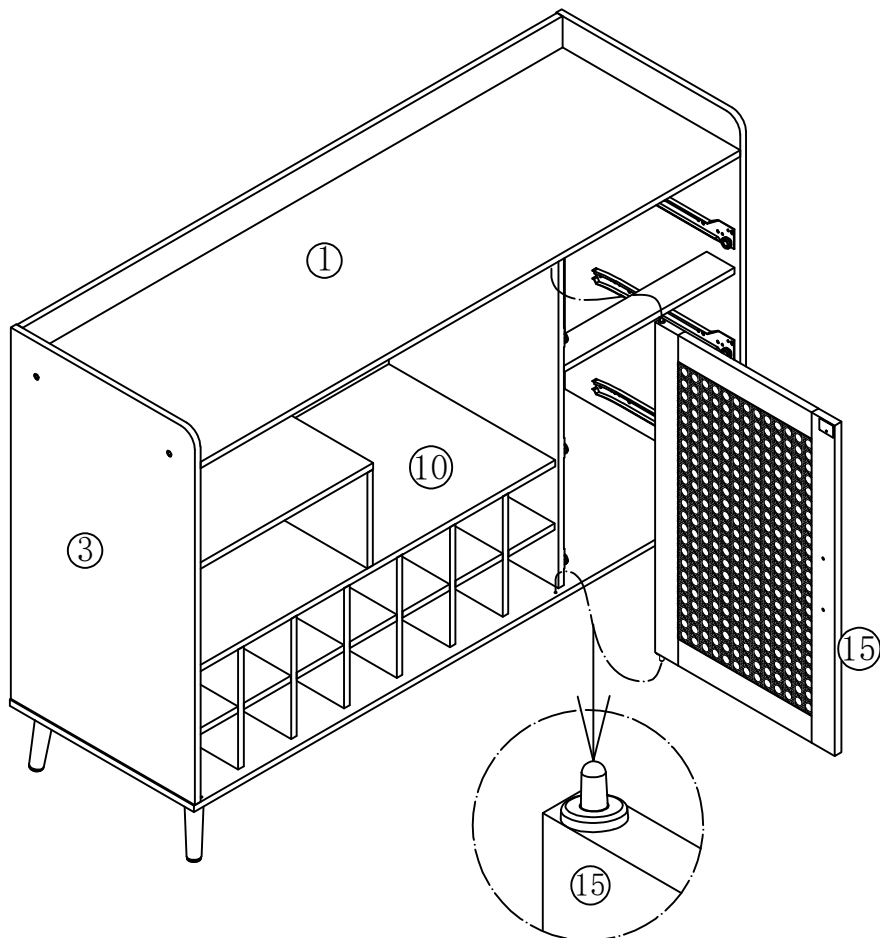
P×2PCS
G×2PCS
①④ ×1PCS
①⑤ ×1PCS

29



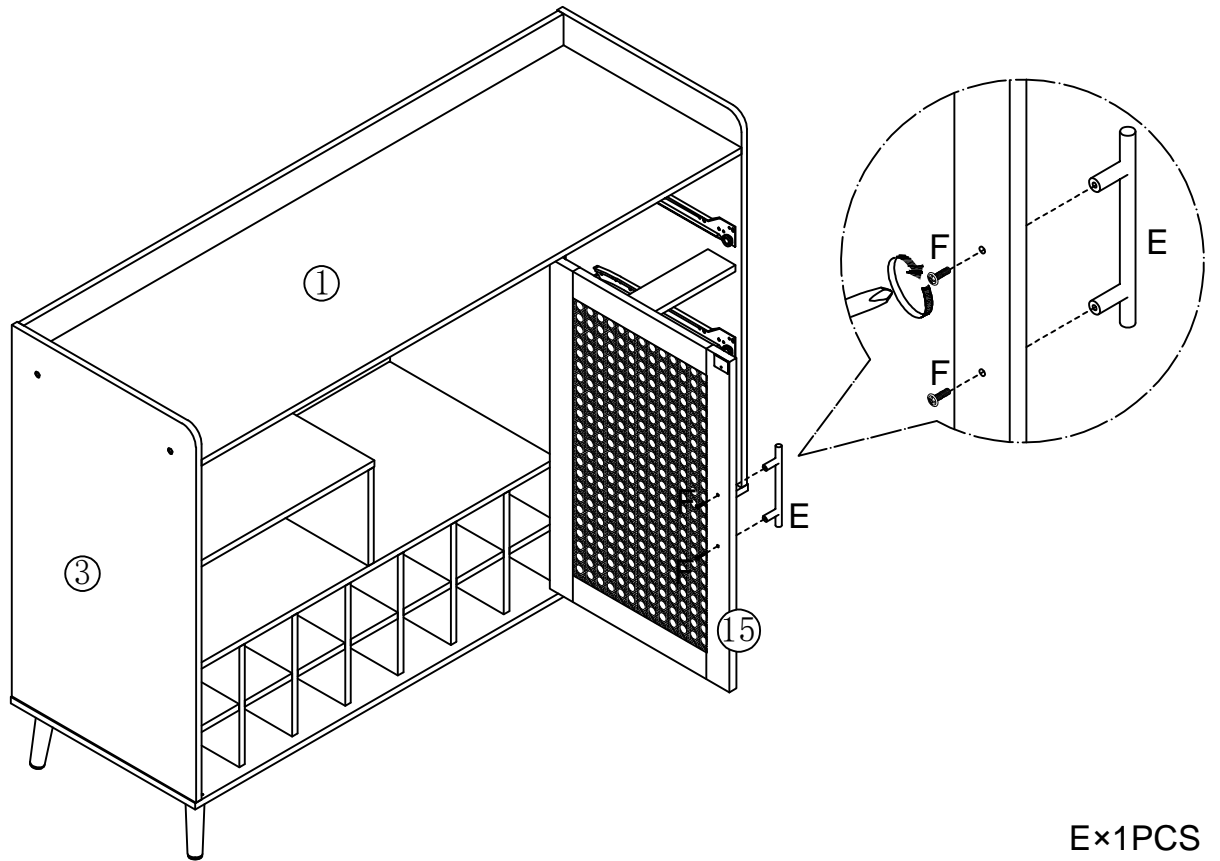
L×4PCS

30



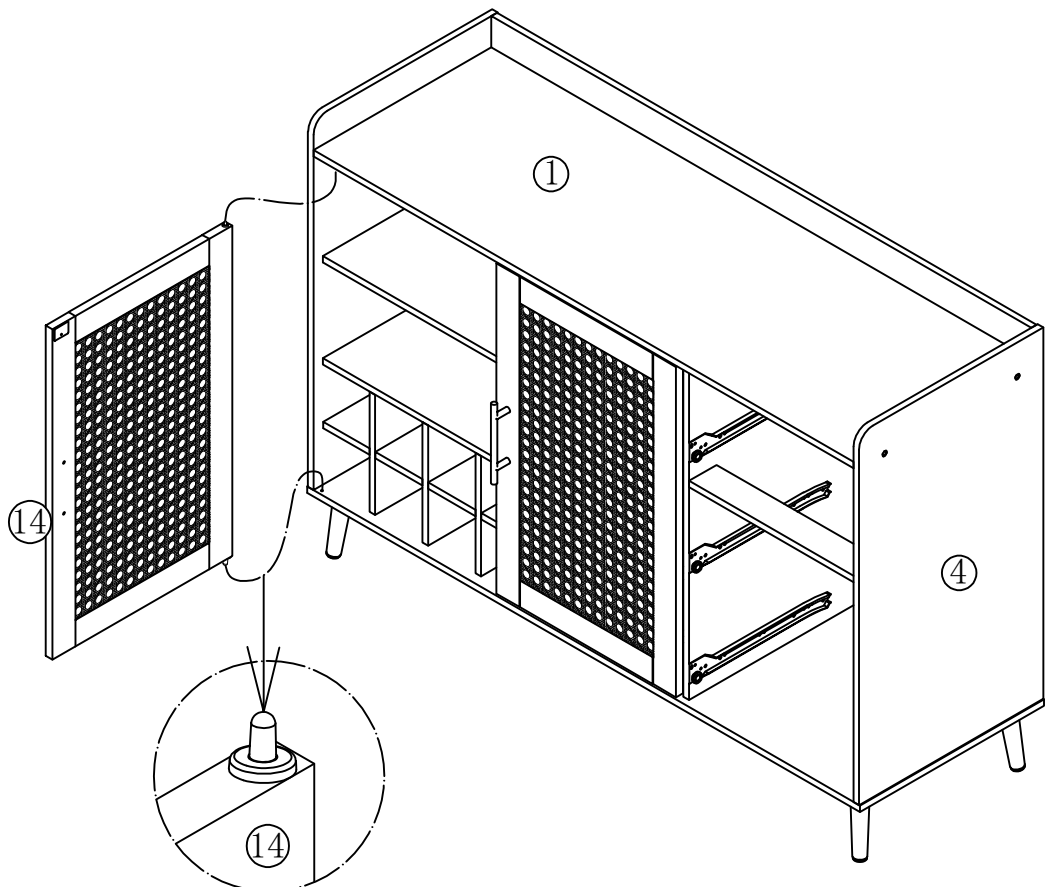
P20/27

31



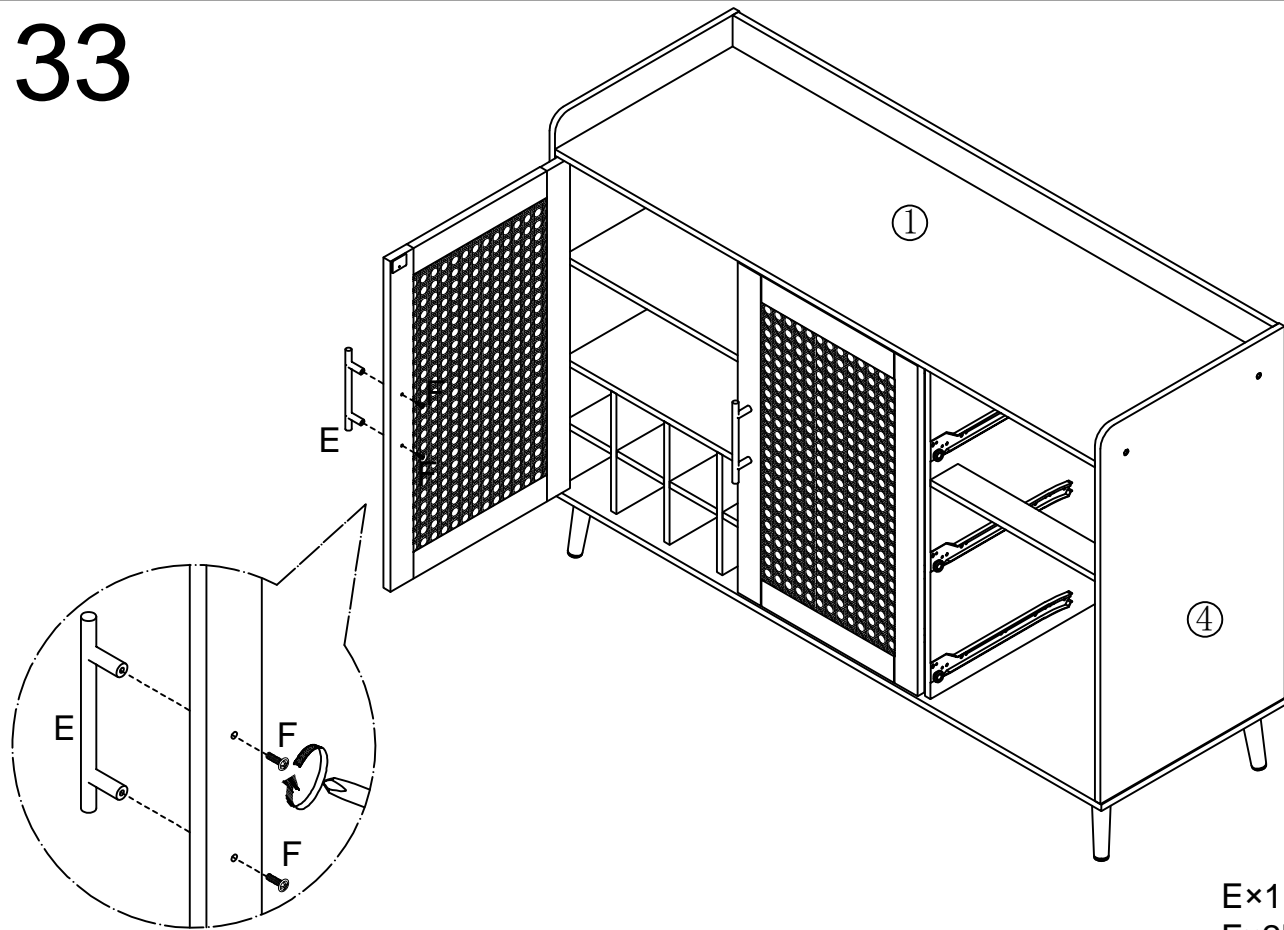
E×1PCS
F×2PCS

32



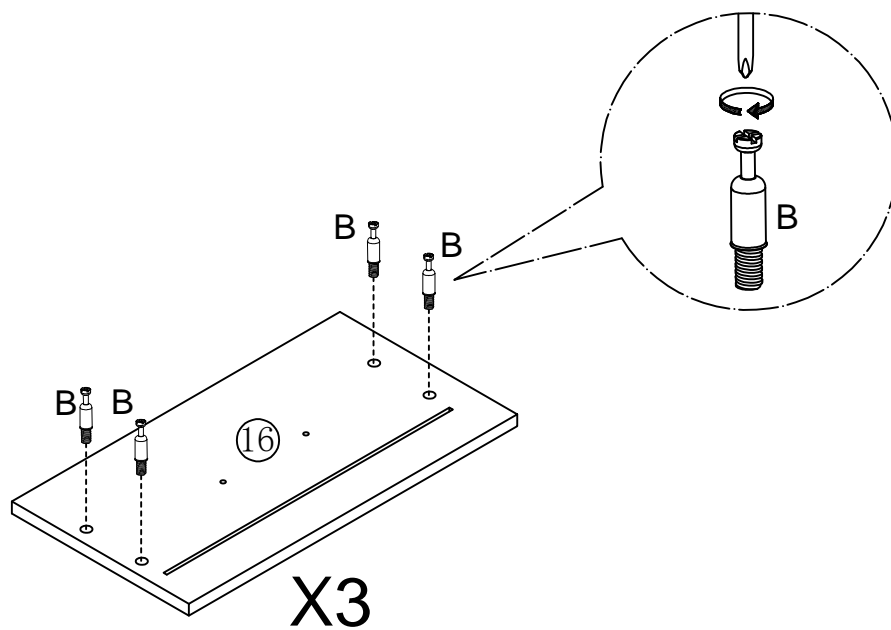
P21/27

33



E×1PCS
F×2PCS

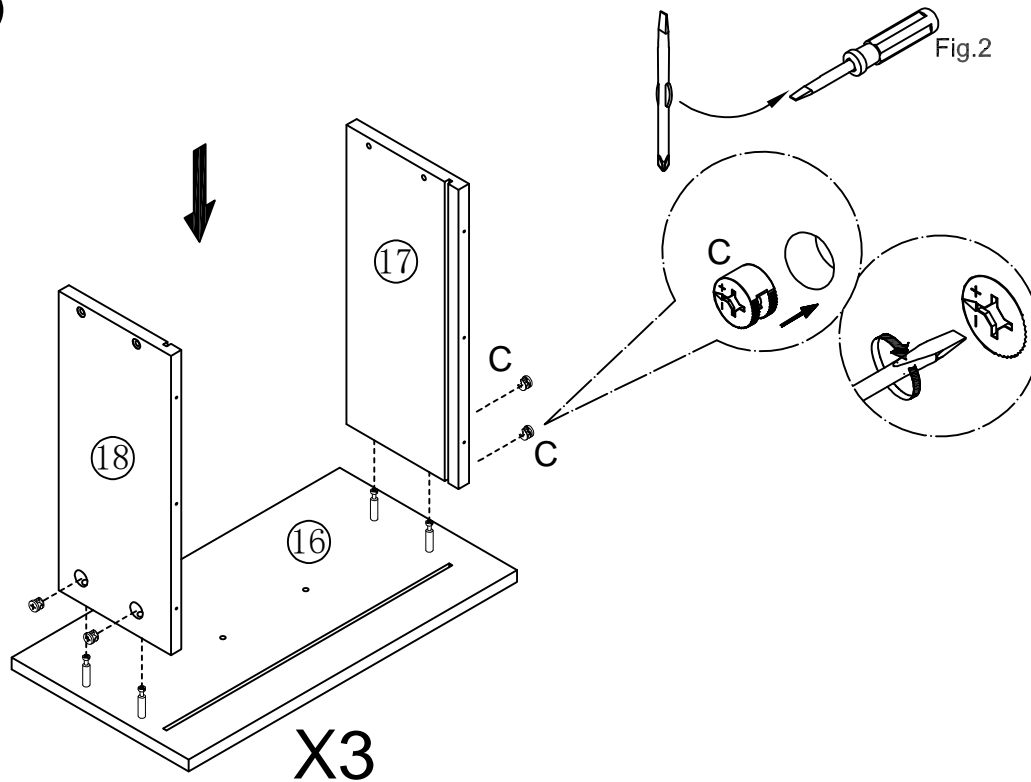
34



X3

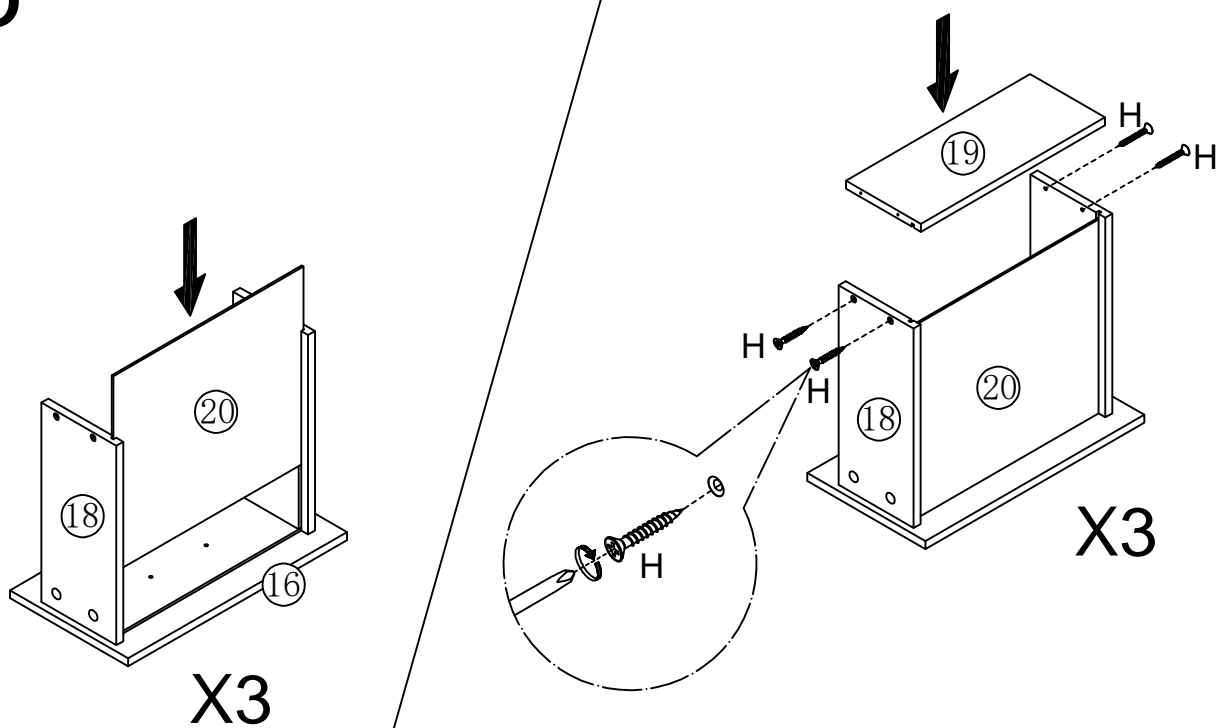
B×12PCS
①⑥ ×3PCS

35



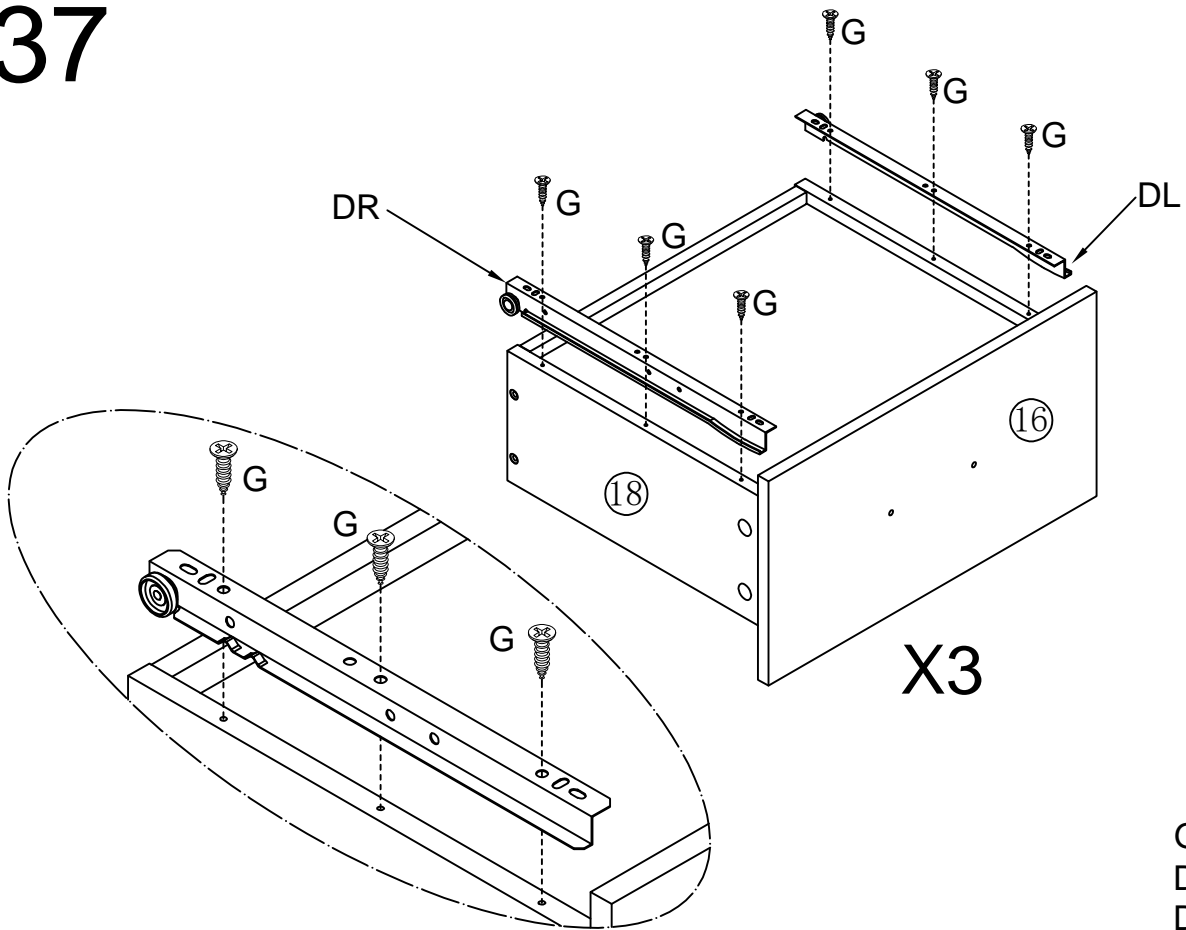
- C×12PCS
- ①7 ×3PCS
- ①8 ×3PCS

36



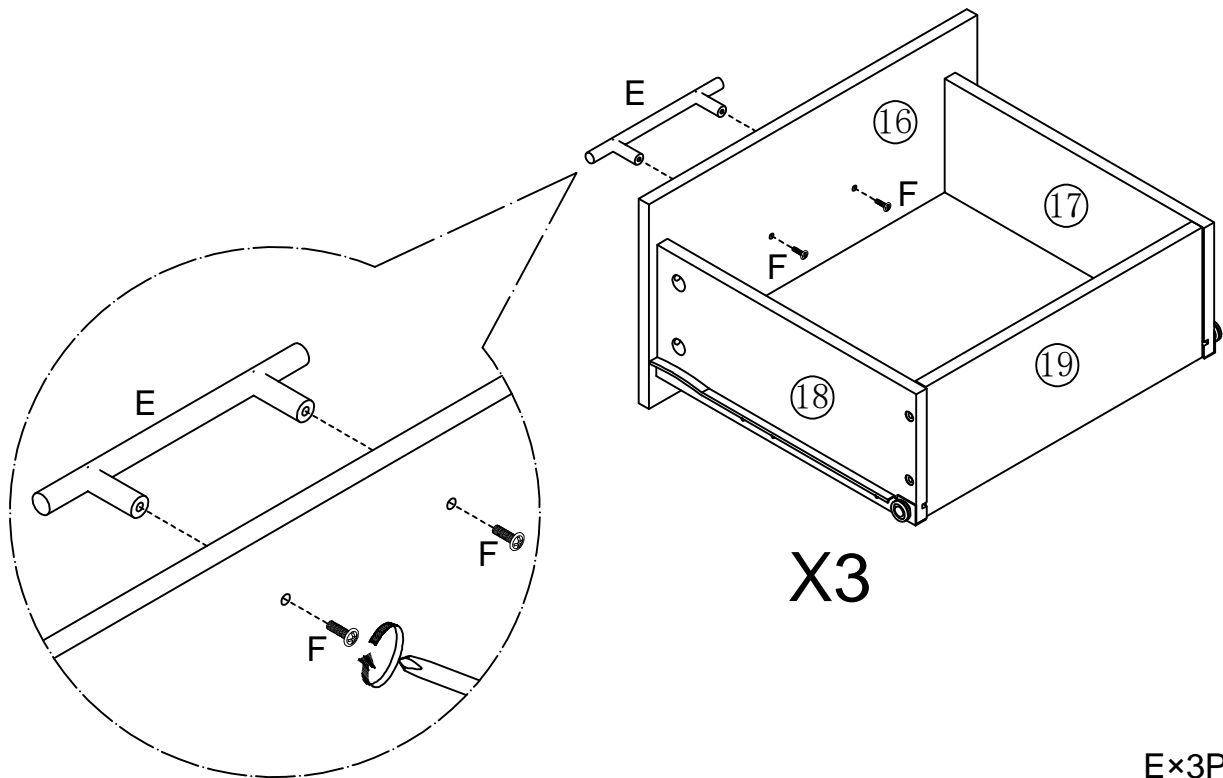
- H×12PCS
- ①9 ×3PCS
- ②0 ×3PCS

37



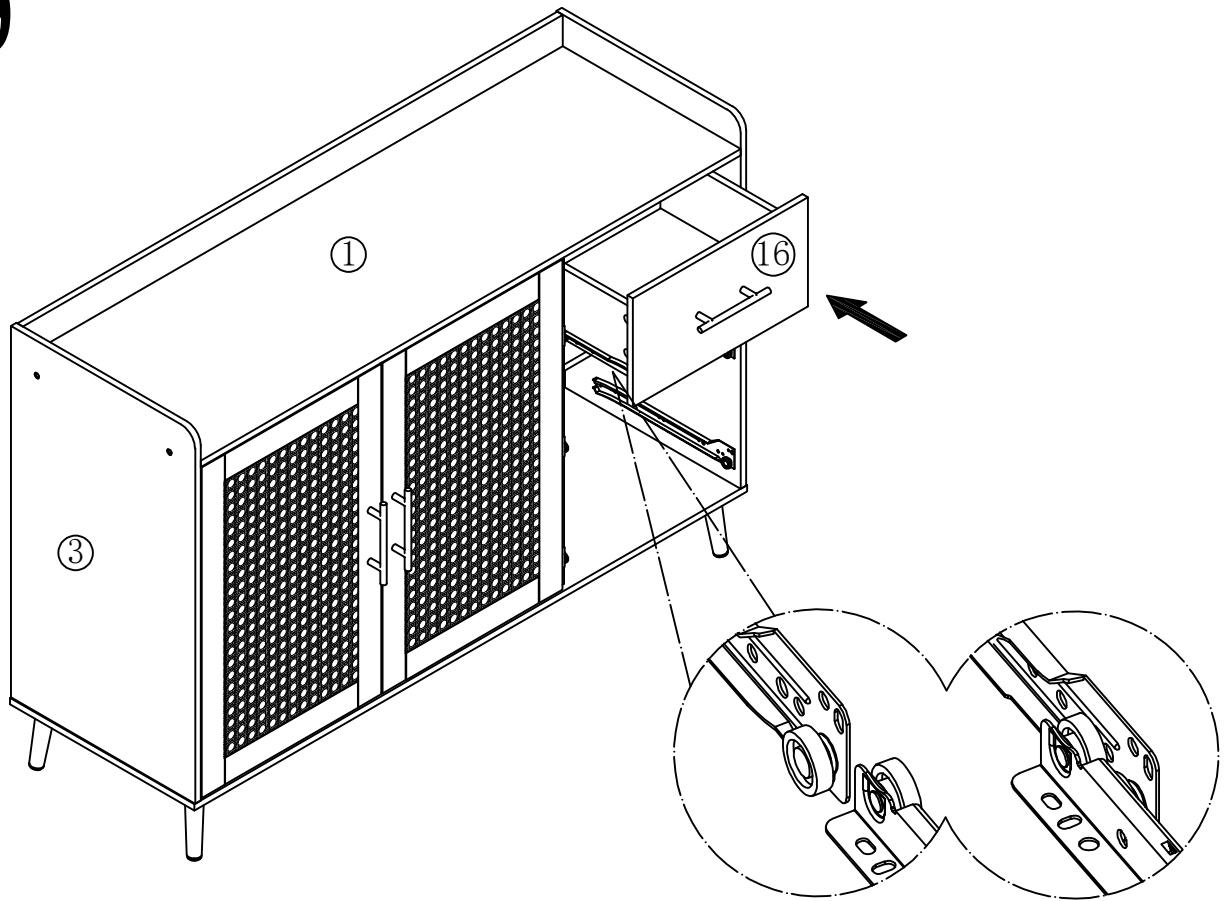
G×18PCS
DR×3PCS
DL×3PCS

38

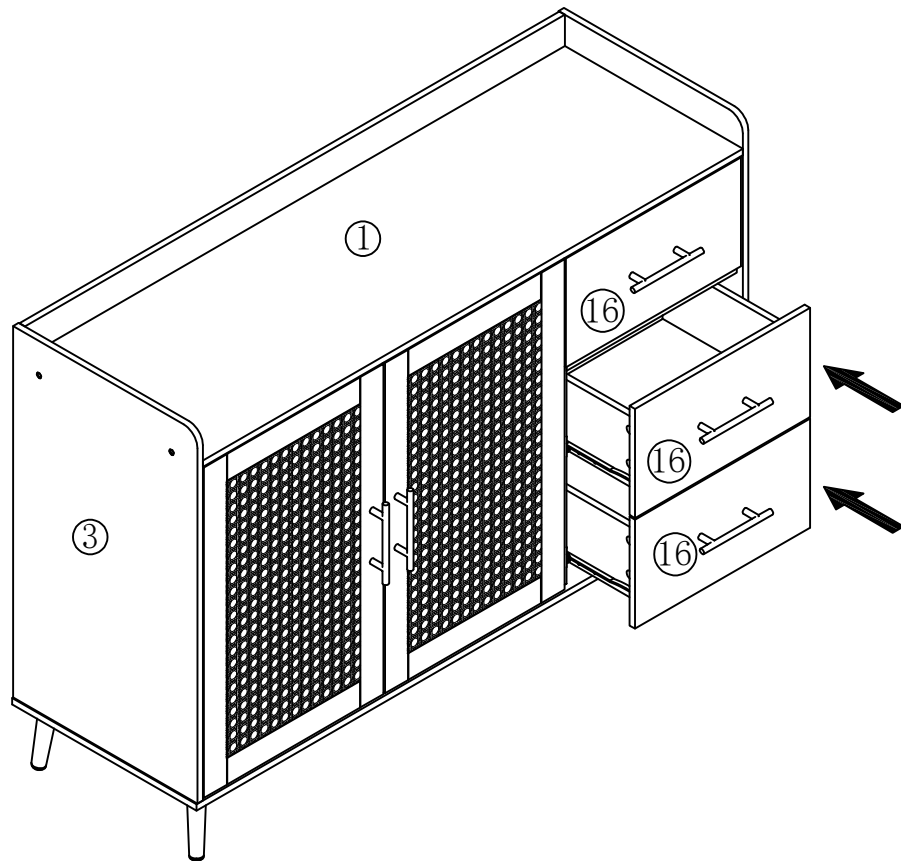


E×3PCS
F×6PCS

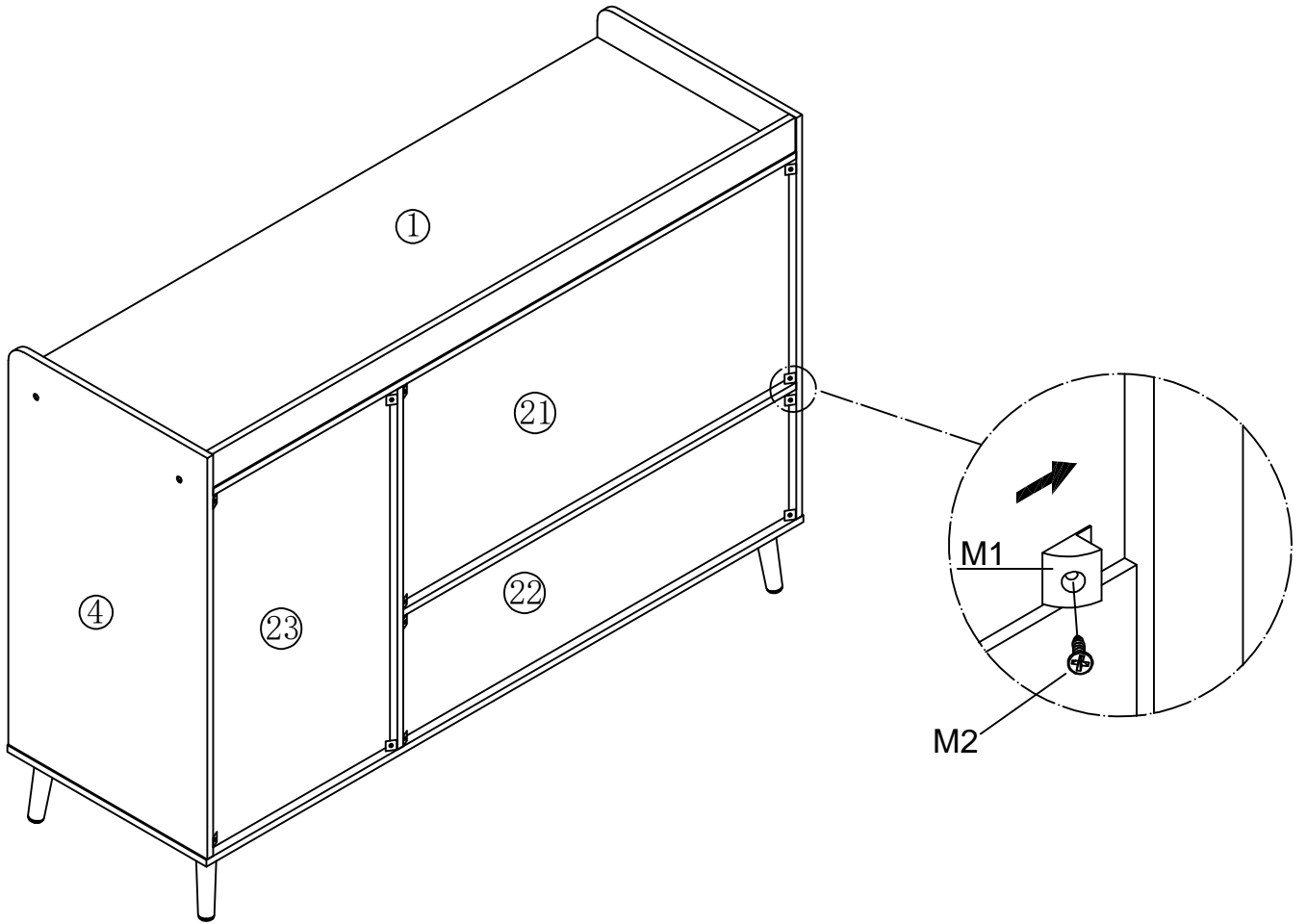
39



40

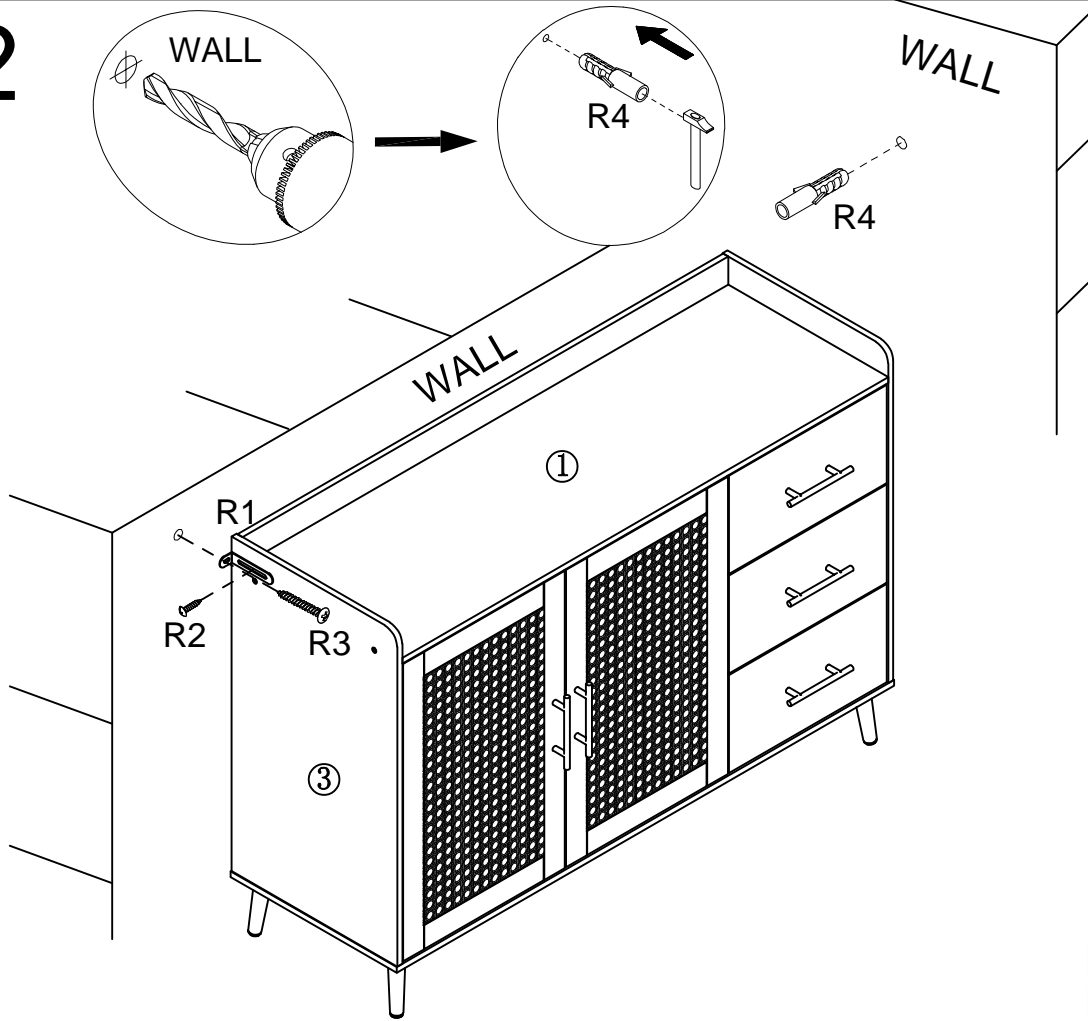


41



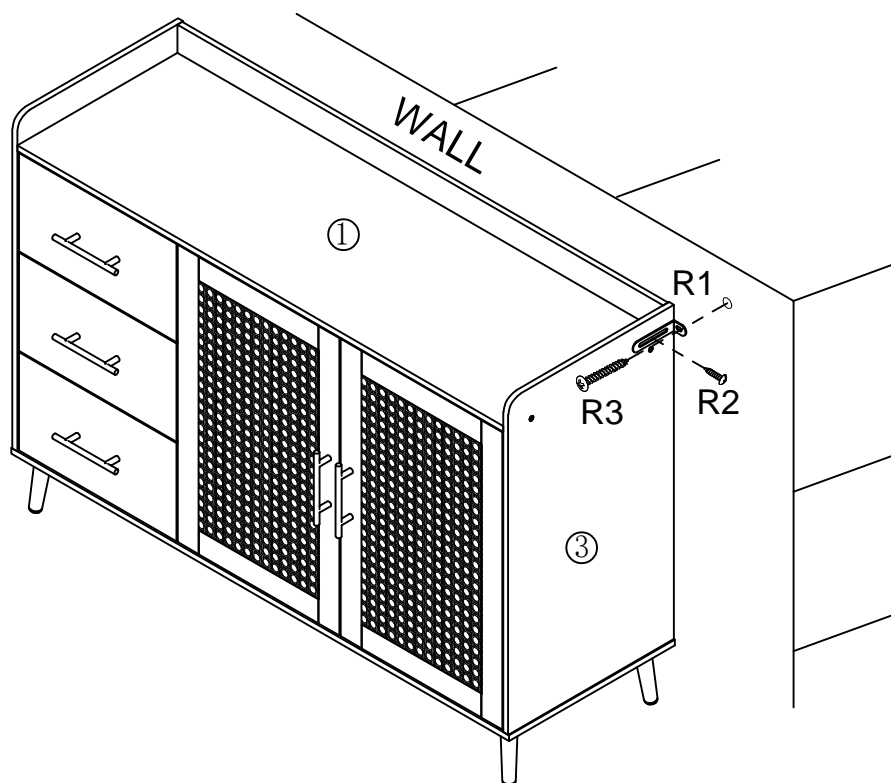
M1×12PCS
M2×12PCS

42



R1×1PCS
R2×1PCS
R3×1PCS
R4×2PCS

43



R1×1PCS
R2×1PCS
R3×1PCS