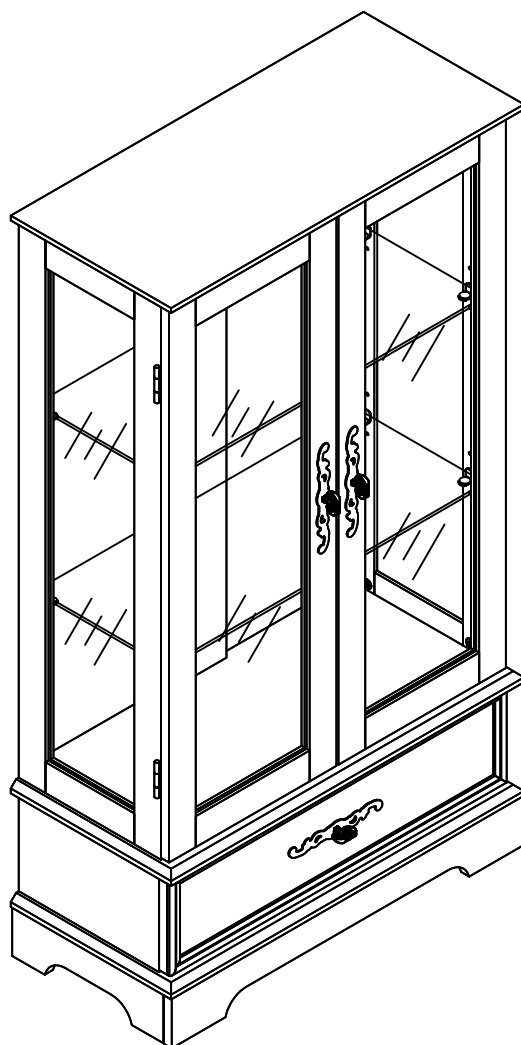
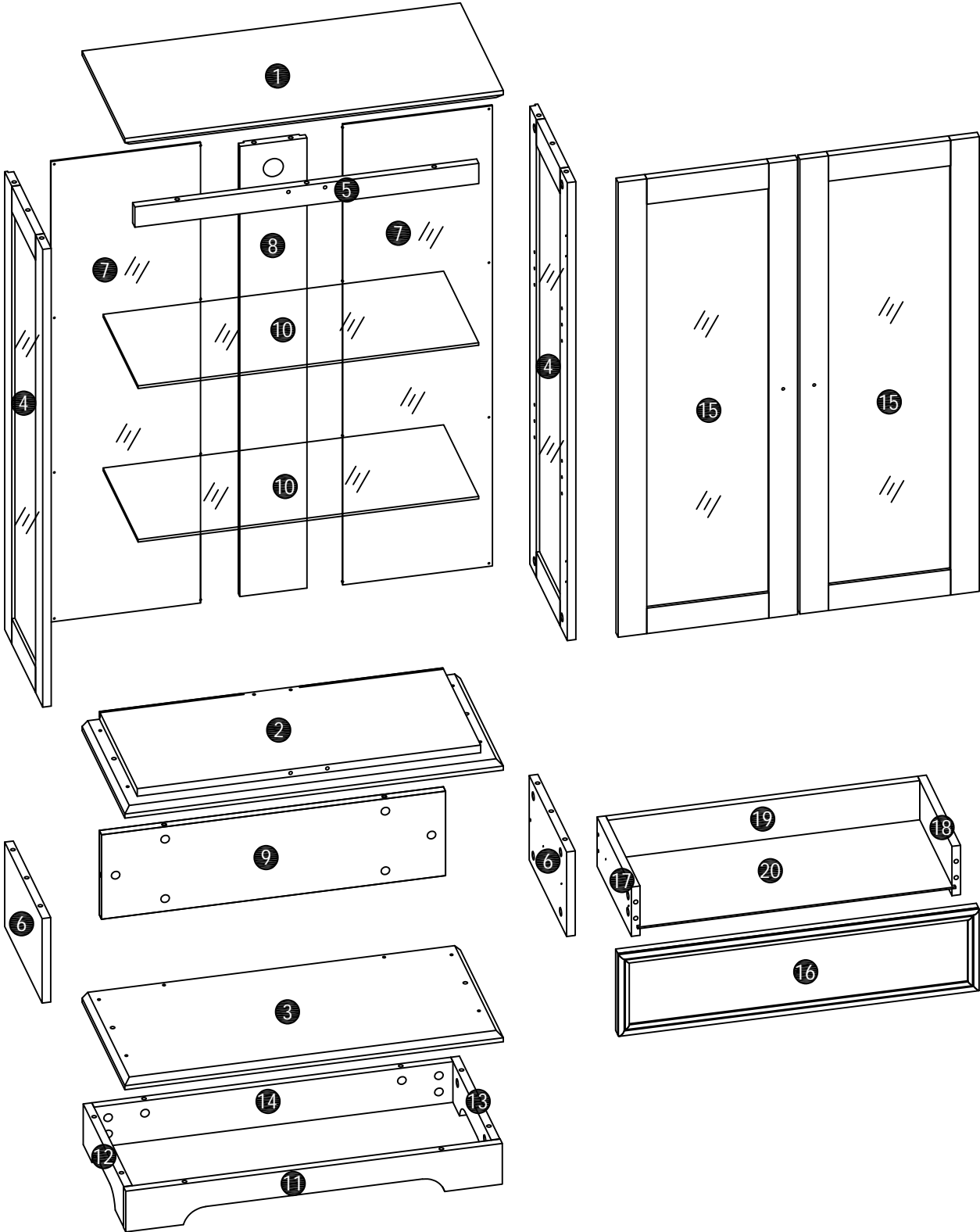


# 2 Doors&1 Drawer Glass Cabinet

## Assembly Instruction

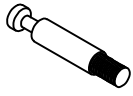


# List of Parts



# Hardware

A x 49+2



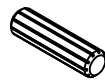
Ø6 x 34mm

B x 49+2



Ø15 x 10mm

C x 8+1



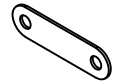
Ø8\*30mm

D x 16+1



Ø3\*12mm

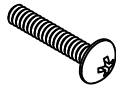
E x 4



F x 3



G x 3



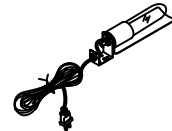
Ø4\*22mm

H x 10



Ø20mm

I x 1



J x 4+1



Ø3.5\*35mm

K x 8



L x 26+2

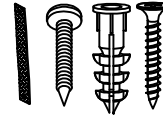


Ø3.5\*12mm

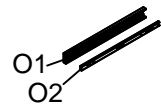
M x 4



N x 2



O x 2



O1-  
O2

40\*200mm

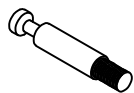
P x 24+2



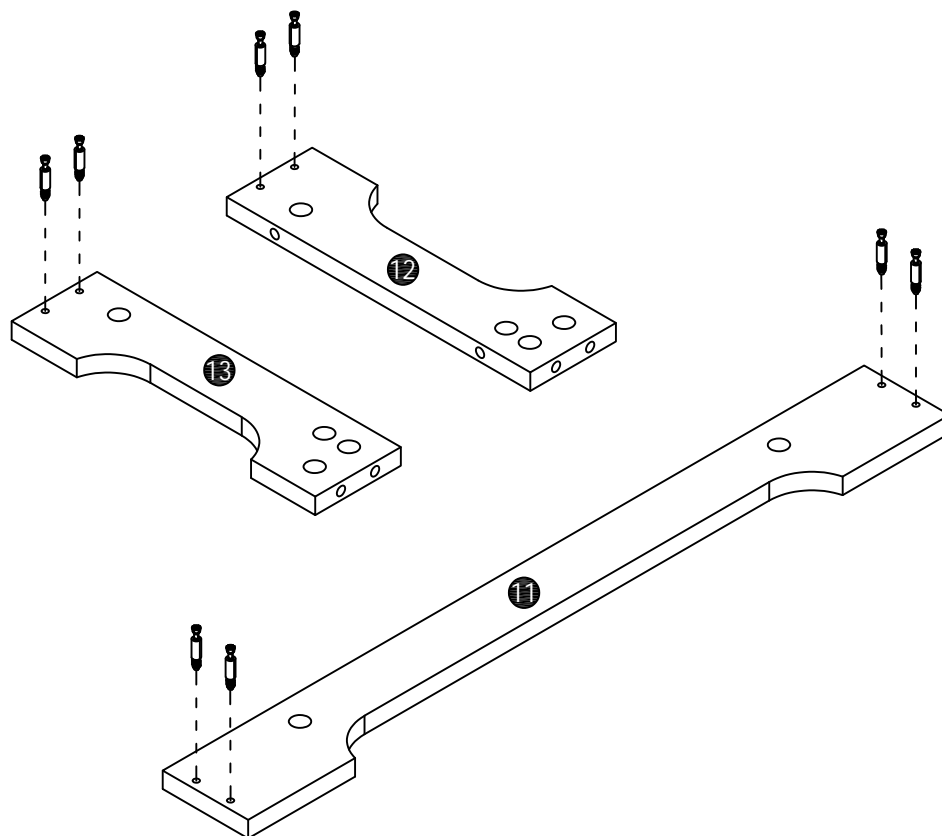
Ø3.5\*12mm

# STEP1

A x 8



Ø6 x 34mm

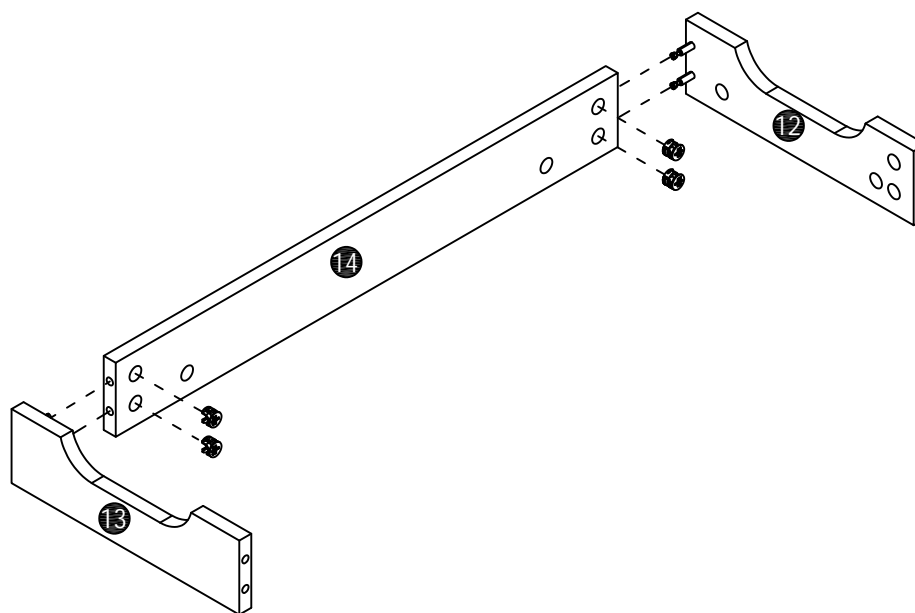


# STEP2

B x 4



Ø15 x 10mm

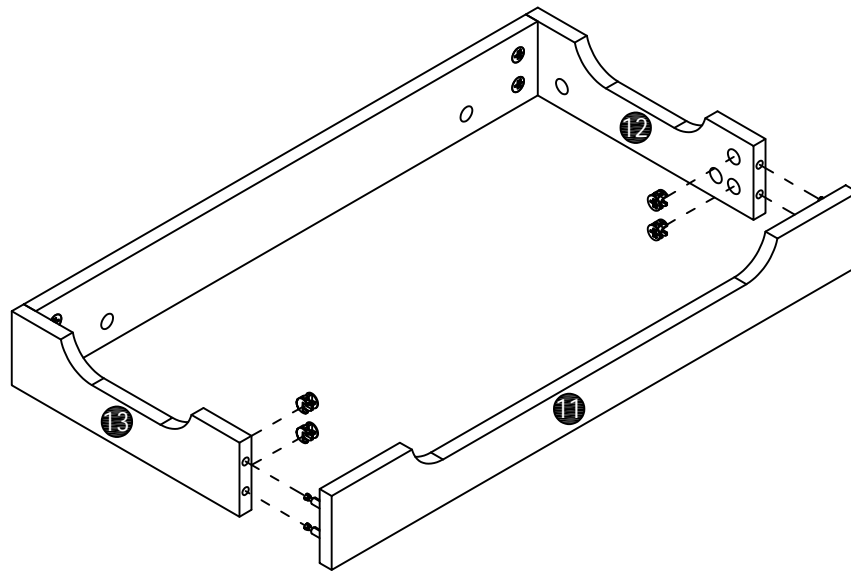


## STEP3

B x 4

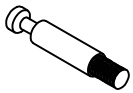


Ø15 x 10mm

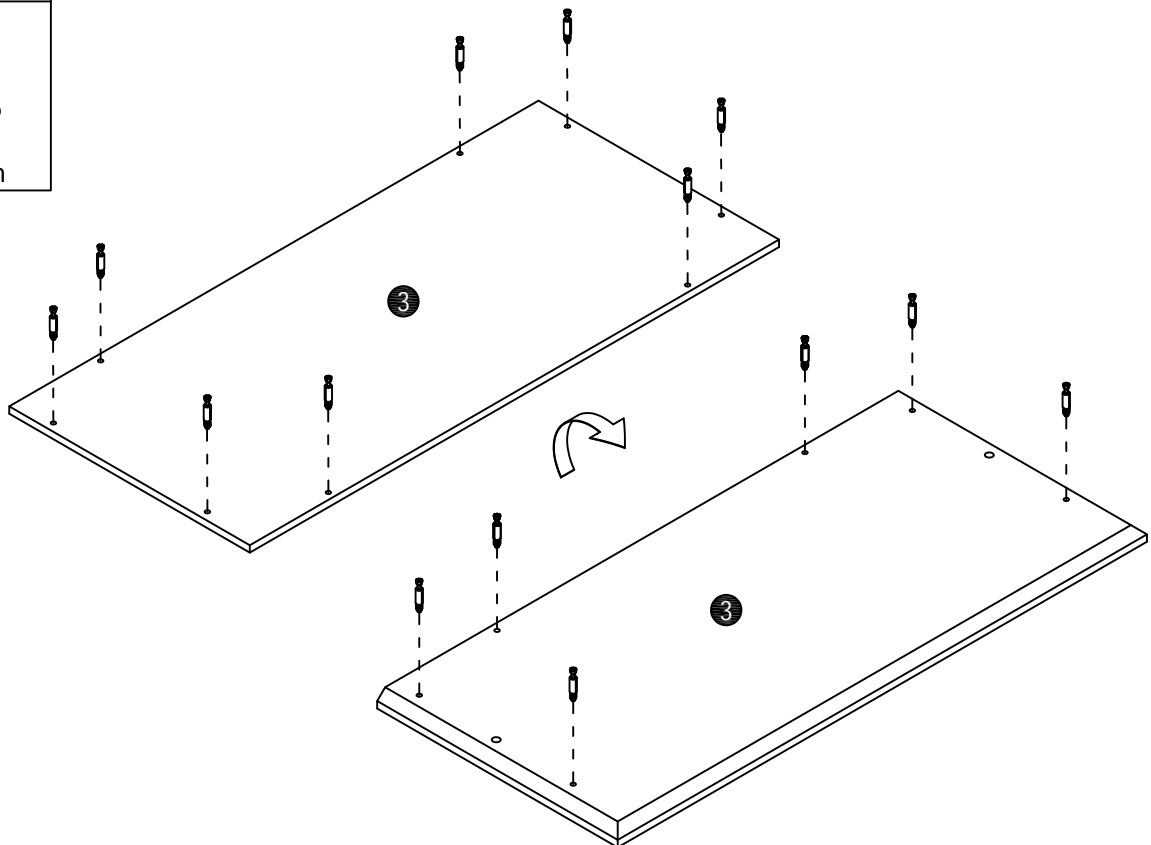


## STEP4

A x 14



Ø6 x 34mm

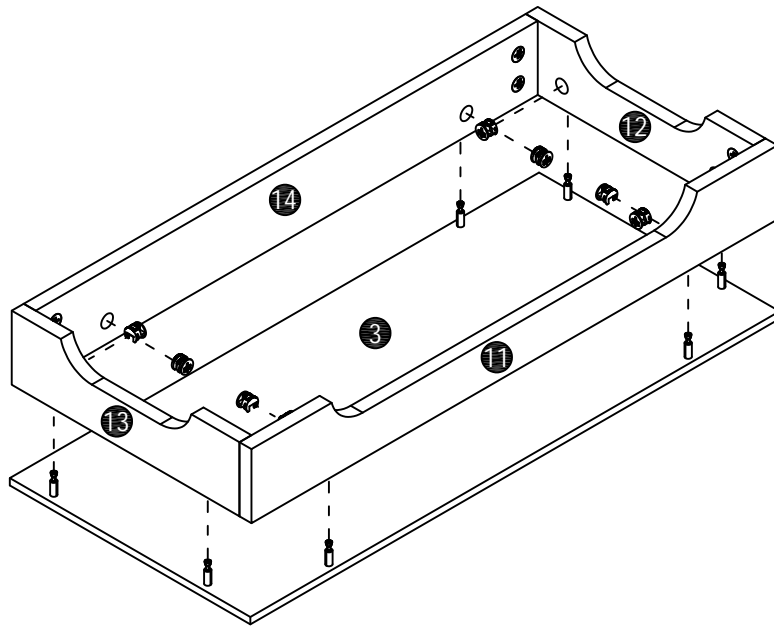


# STEP5

B x 8

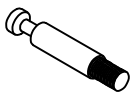


Ø15 x 10mm



# STEP6

A x 2



Ø6 x 34mm

D x 4

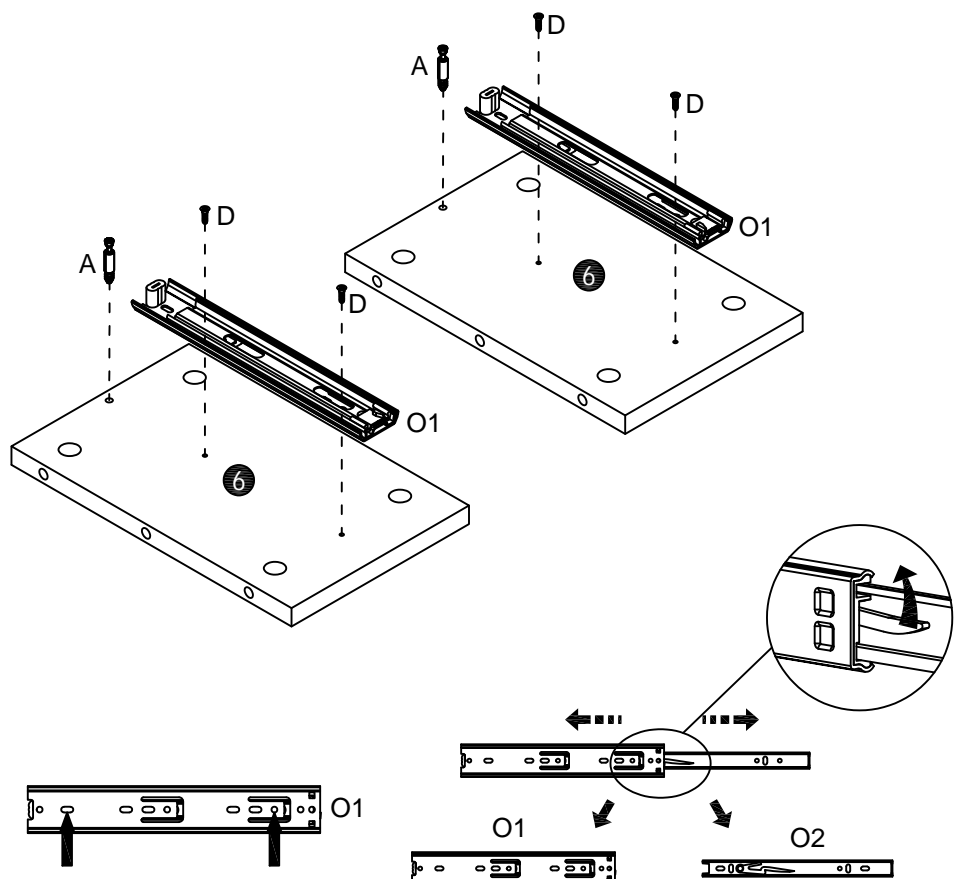


Ø3\*12mm

O x 2



200mm

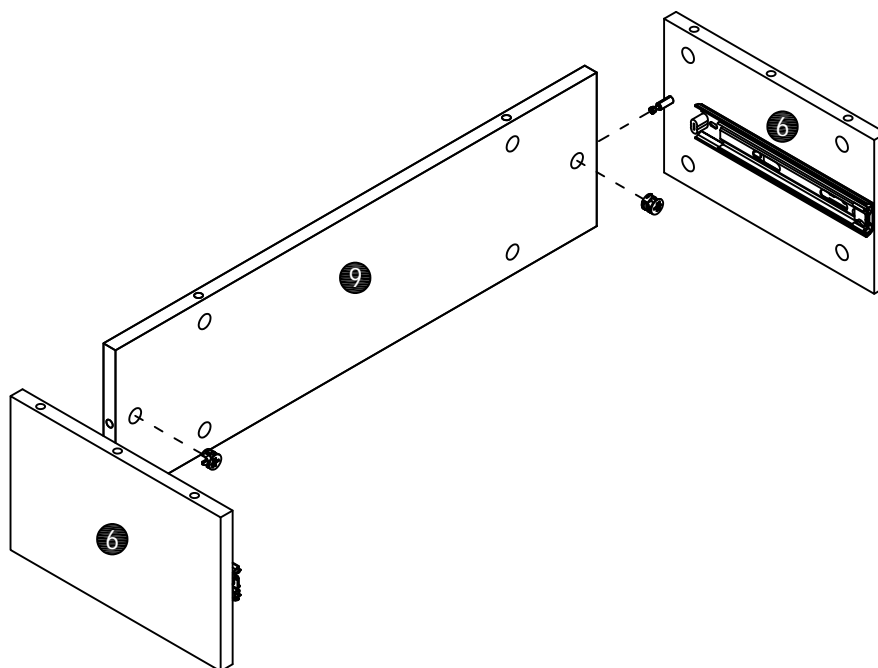


# STEP7

B x 2



Ø15 x 10mm



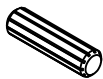
# STEP8

B x 6

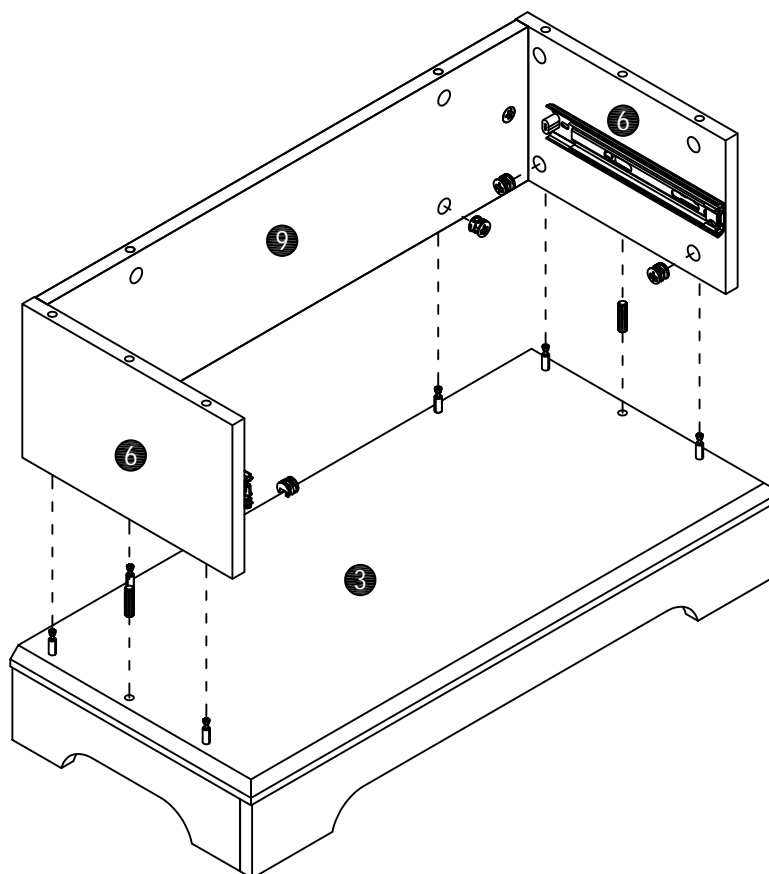


Ø15 x 10mm

C x 2

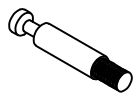


Ø8\*30mm

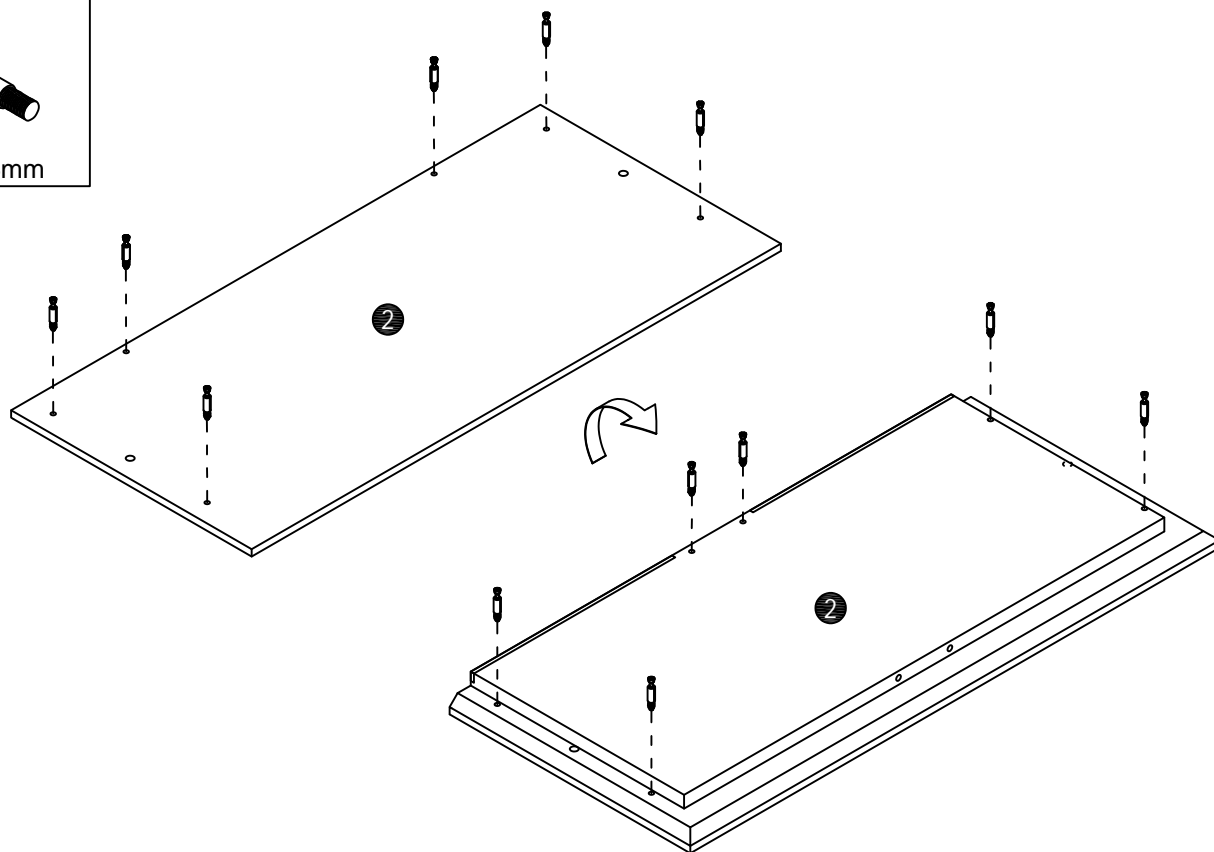


# STEP9

A x 12



Ø6 x 34mm



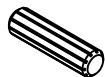
# STEP10

B x 6

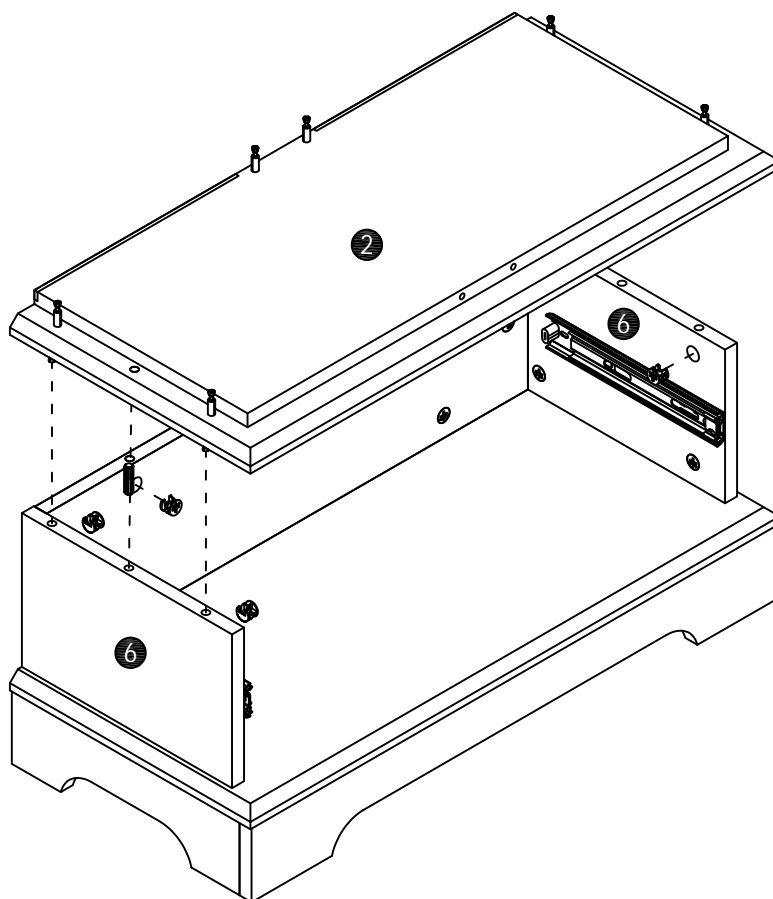


Ø15 x 10mm

C x 2



Ø8\*30mm



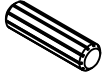
# STEP11

B x 6

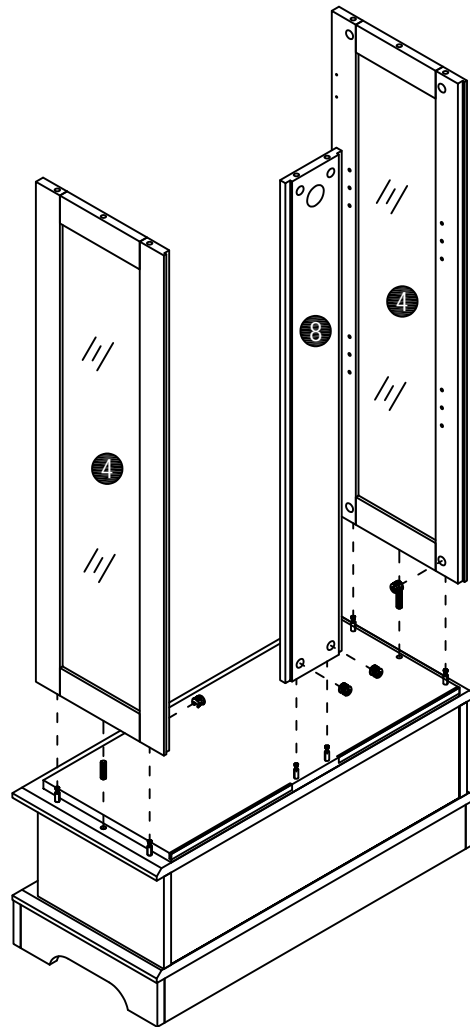


Ø15 x 10mm

C x 2

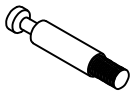


Ø8\*30mm



# STEP12

A x 9



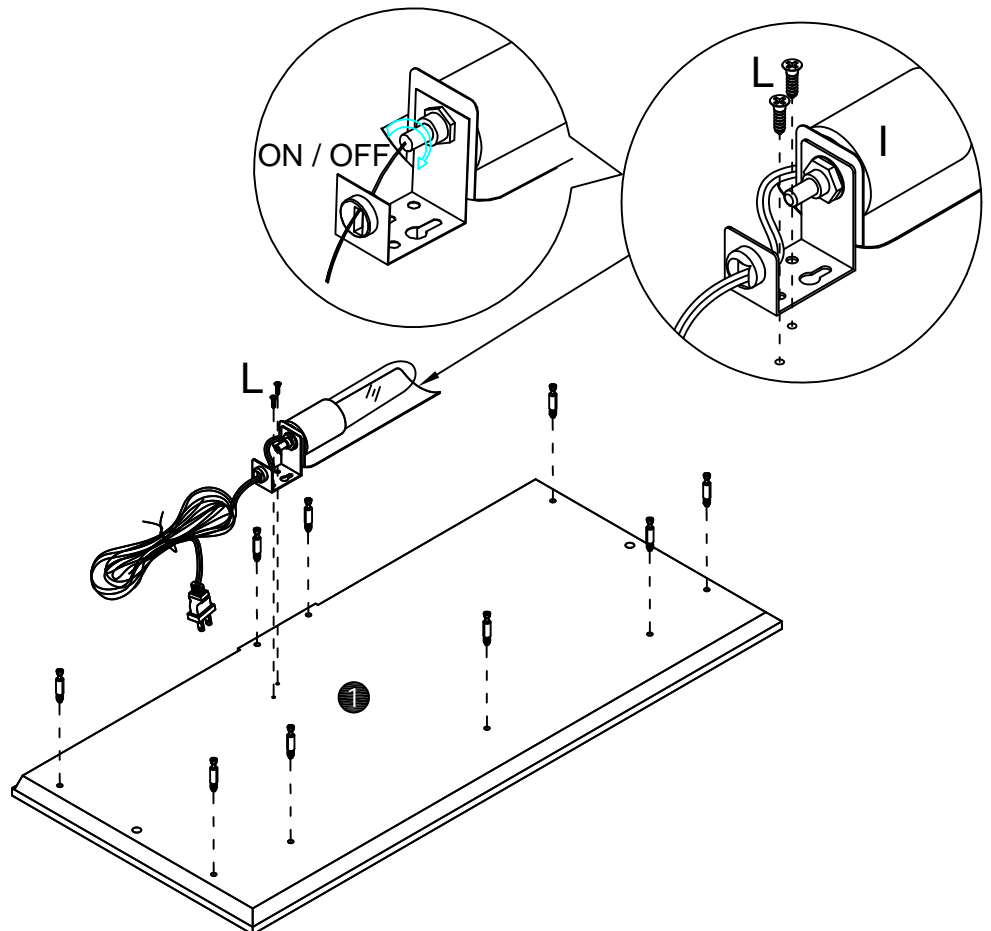
Ø6 x 34mm

L x 2



Ø3.5\*12mm

I x 1

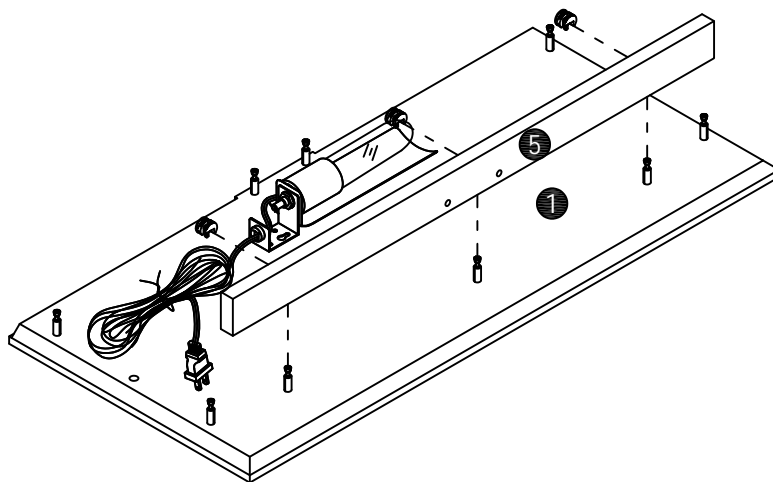


# STEP13

B x 3



Ø15 x 10mm



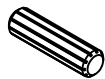
# STEP14

B x 6

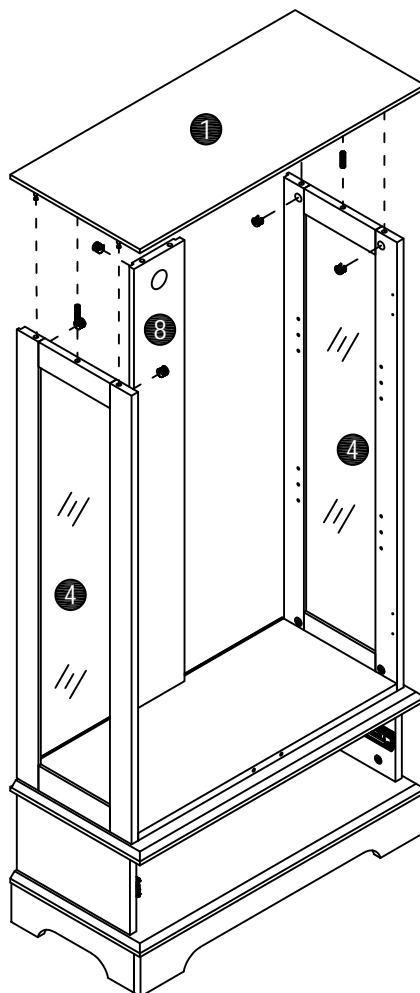


Ø15 x 10mm

C x 2



Ø8\*30mm

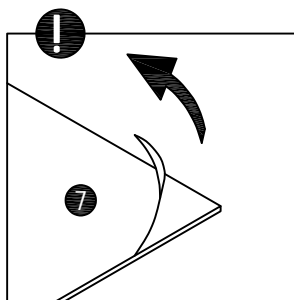


## STEP15

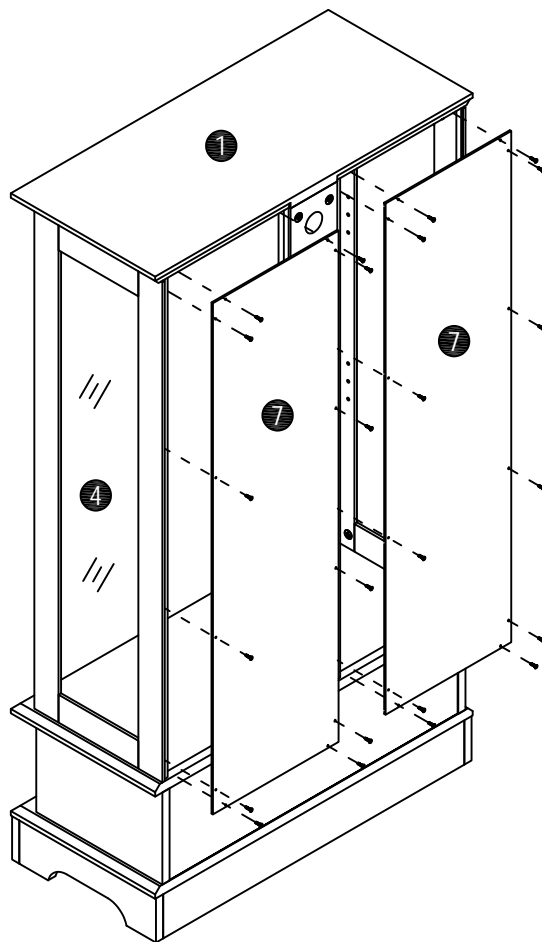
P x 24



Ø3.5\*12mm



Remove protective film  
on the mirror panel.

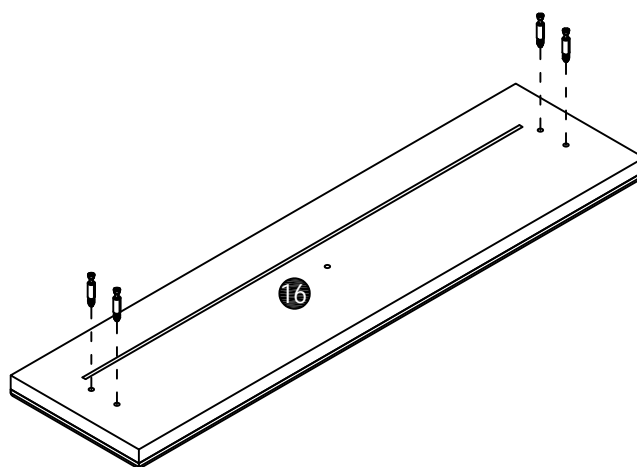


## STEP16

A x 4



Ø6 x 34mm

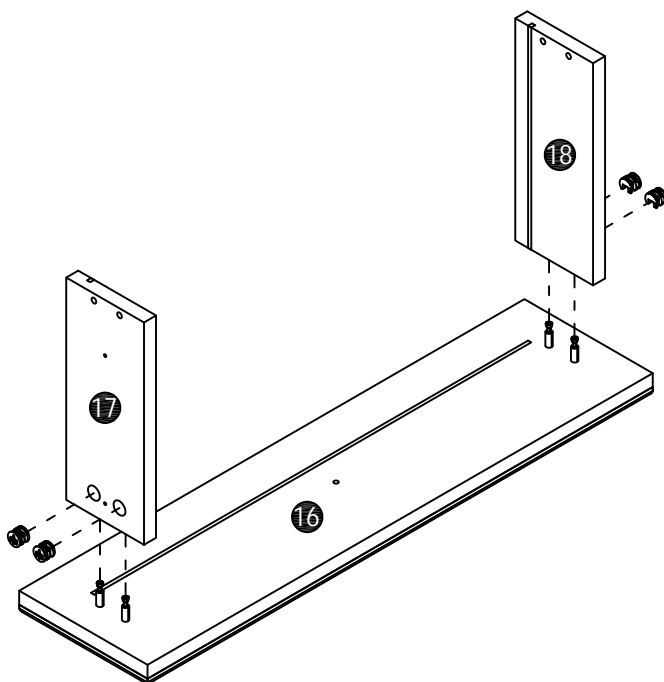


# STEP17

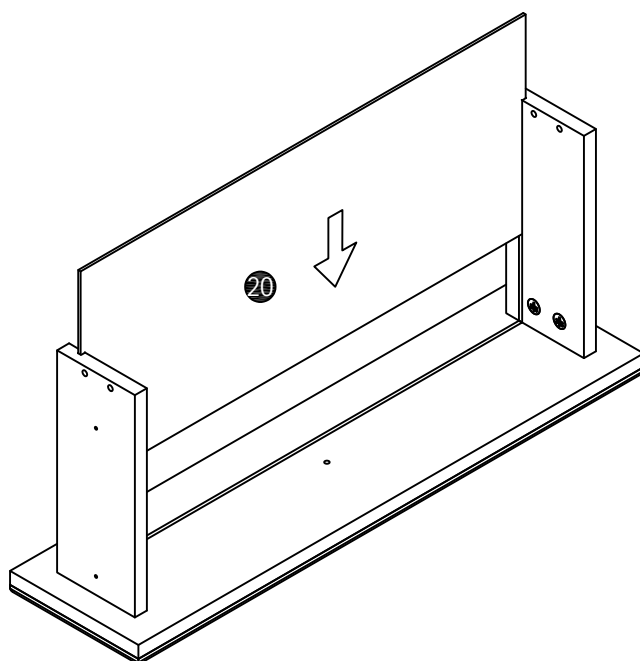
B x 4



Ø15 x 10mm

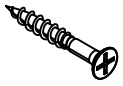


# STEP18

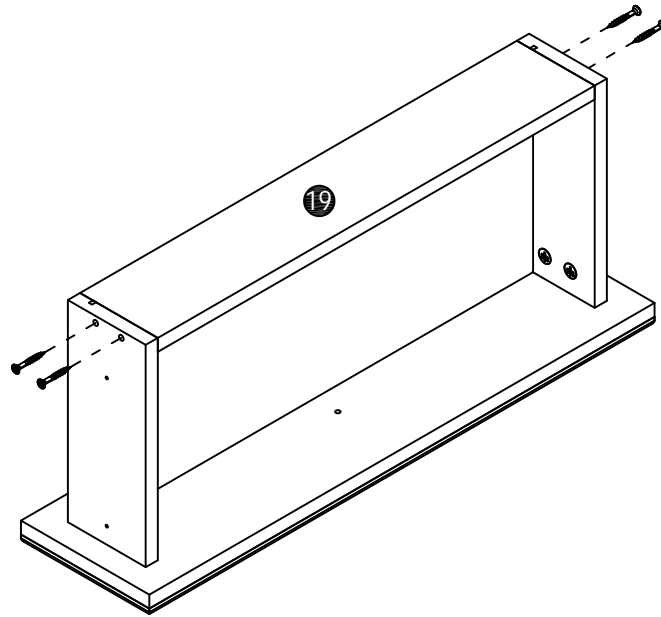


# STEP19

J x 4



Ø3.5\*35mm

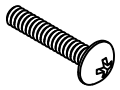


# STEP20

F x 1



G x 1



Ø4\*22mm

D x 4

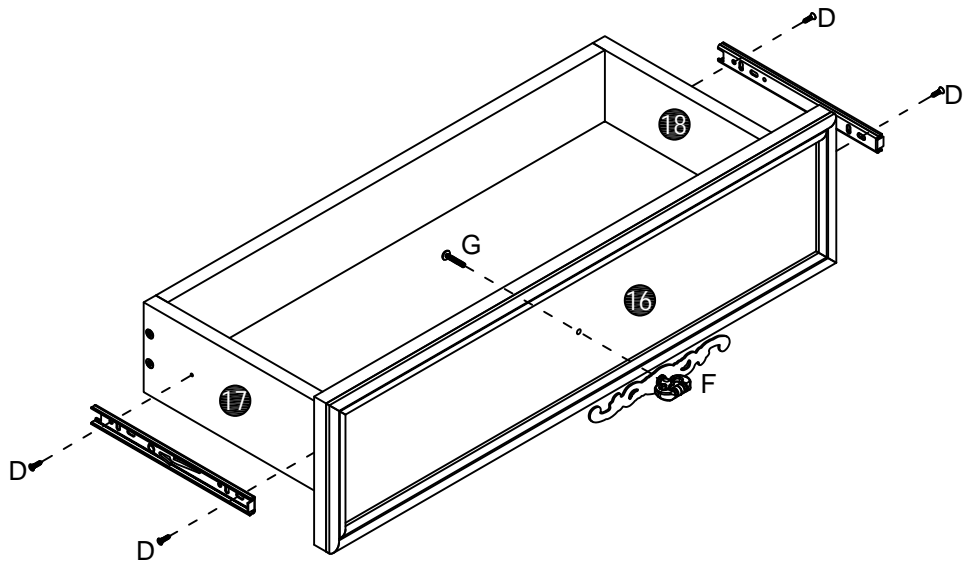


Ø3\*12mm

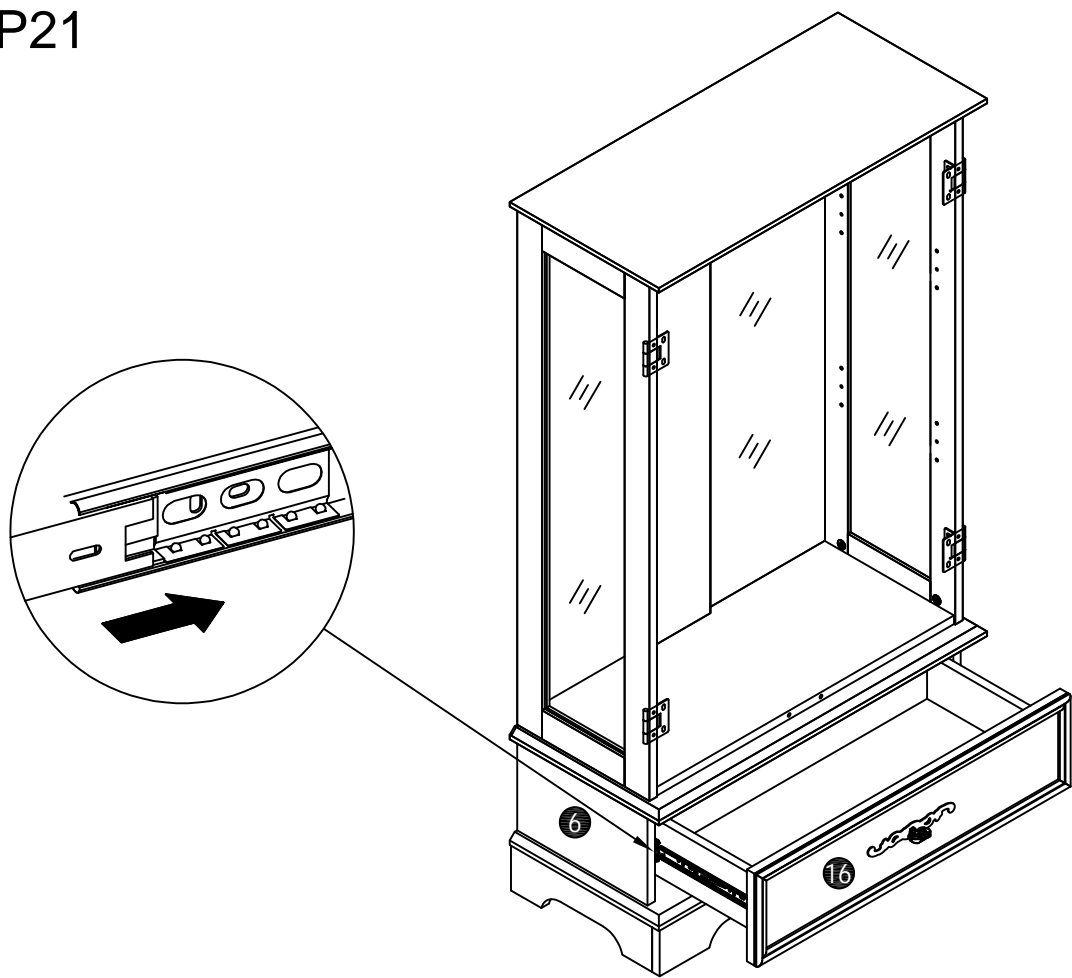
O x 2



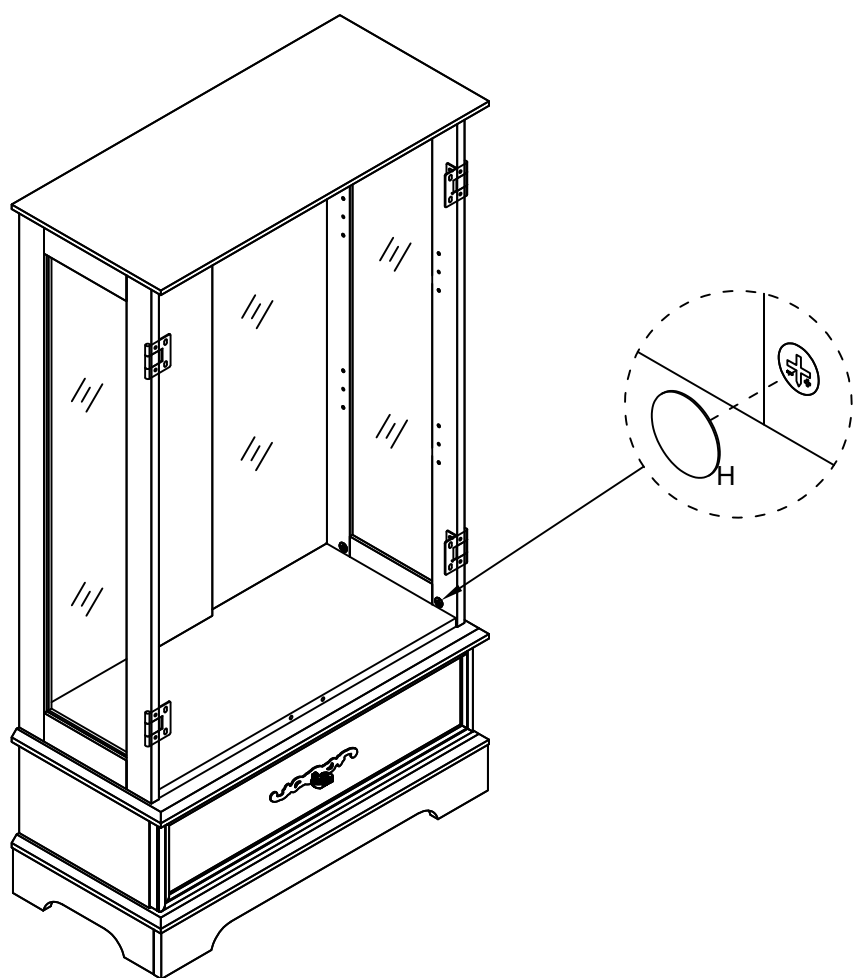
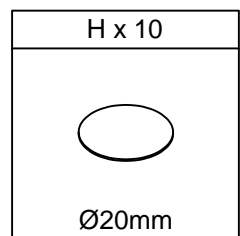
200mm



# STEP21



# STEP22



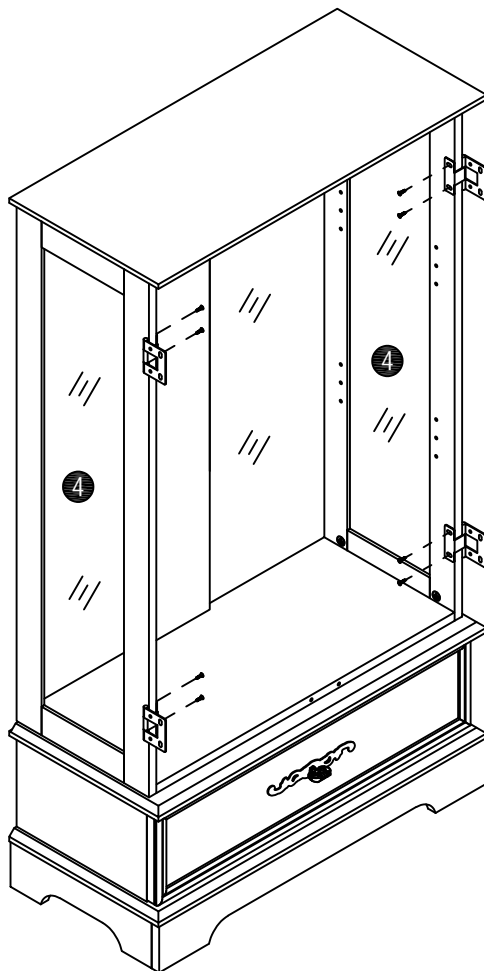
## STEP23

L x 8



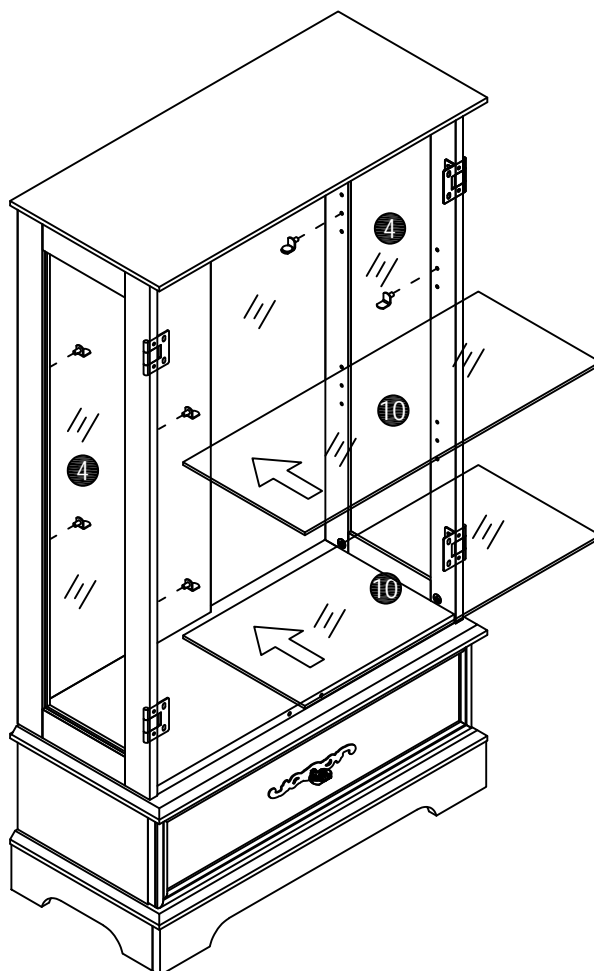
Ø3.5\*12mm

M x 4



## STEP24

K x 8



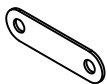
## STEP25

D x 8



Ø3\*12mm

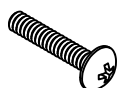
E x 4



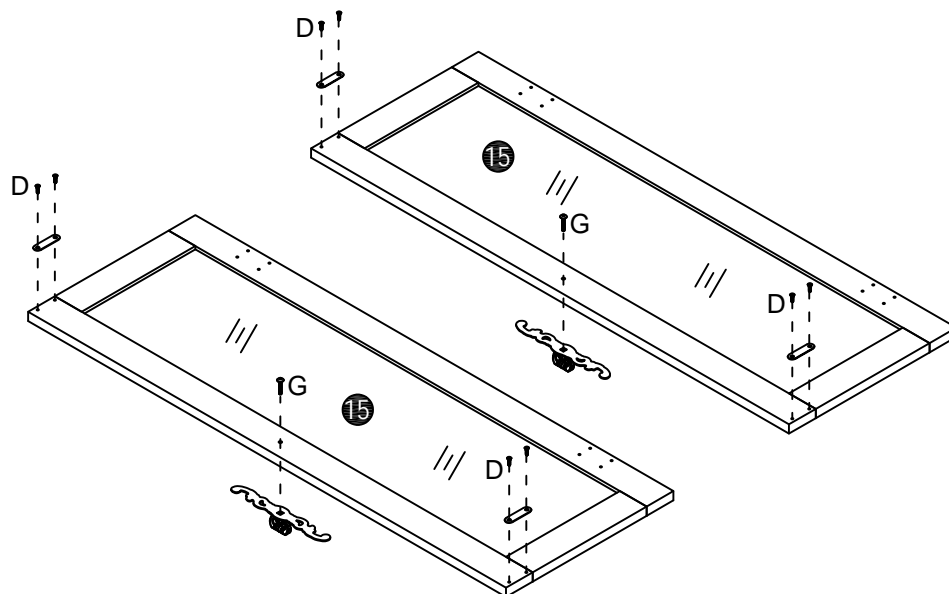
F x 2



G x 2



Ø4\*22mm

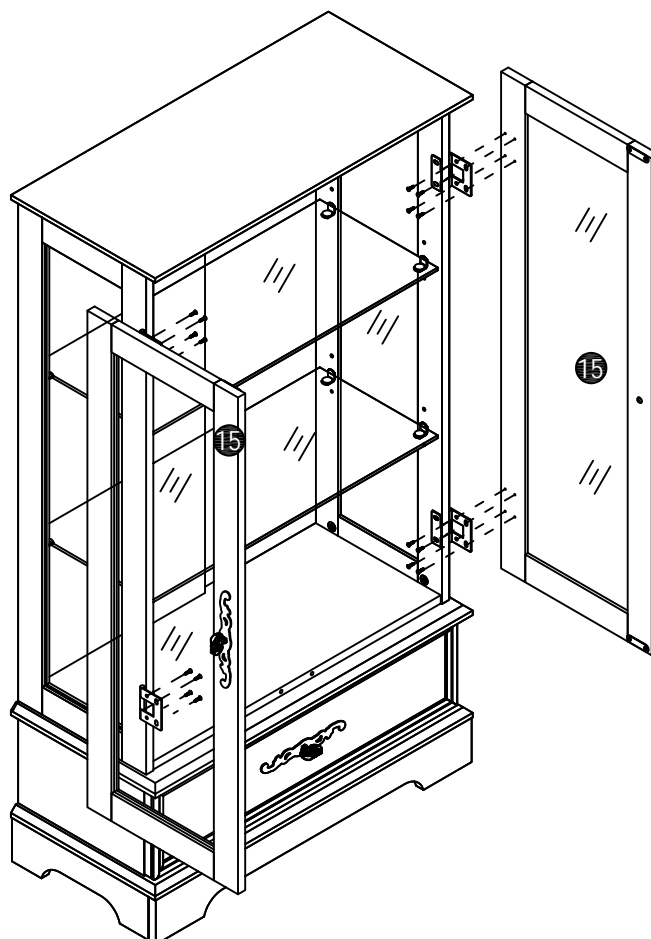


## STEP26

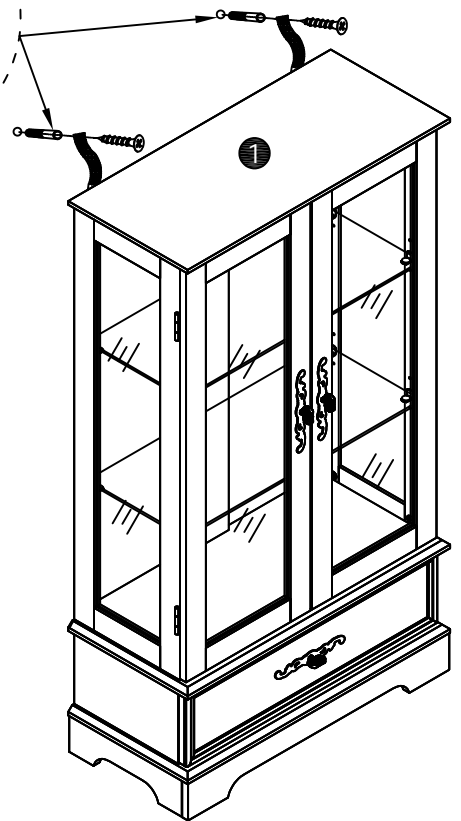
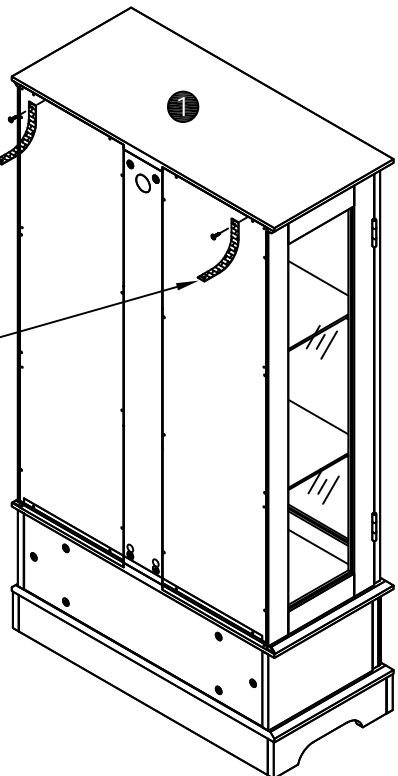
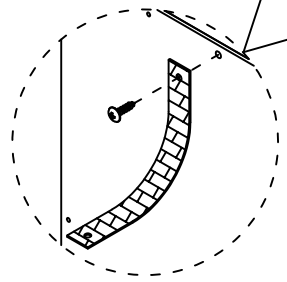
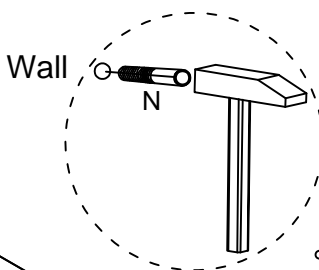
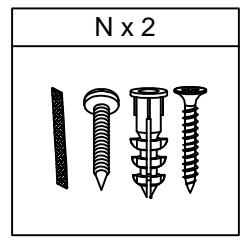
L x 16



Ø3.5\*12mm



# STEP27



# STEP28

