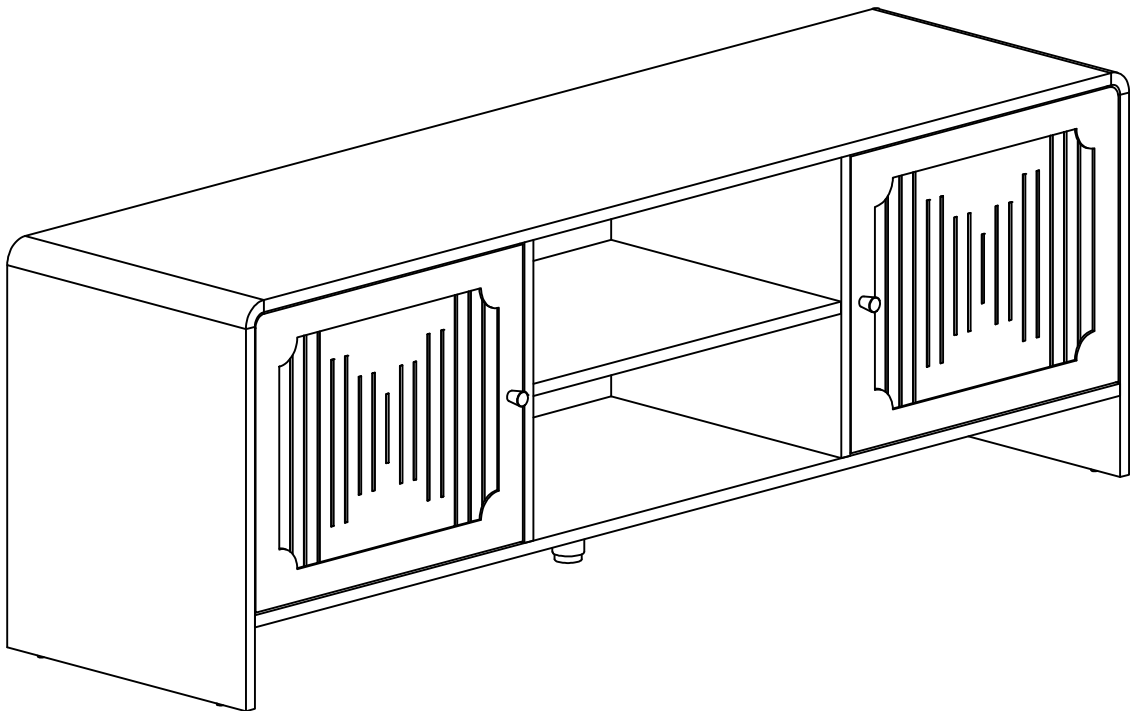
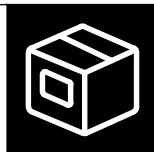
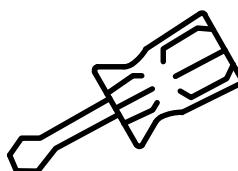
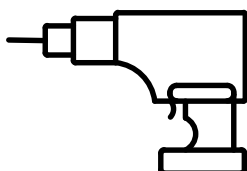
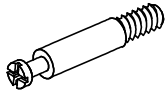

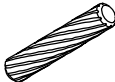

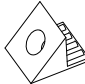



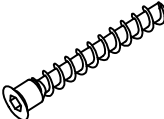



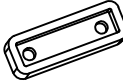


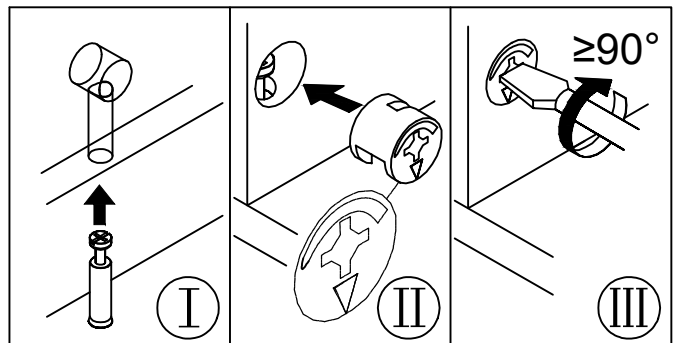
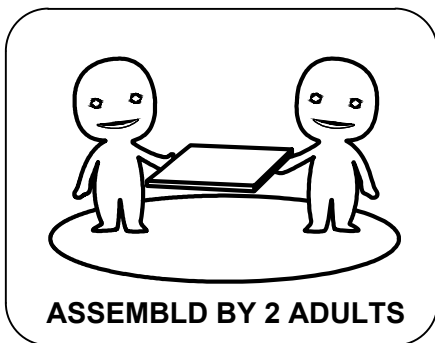
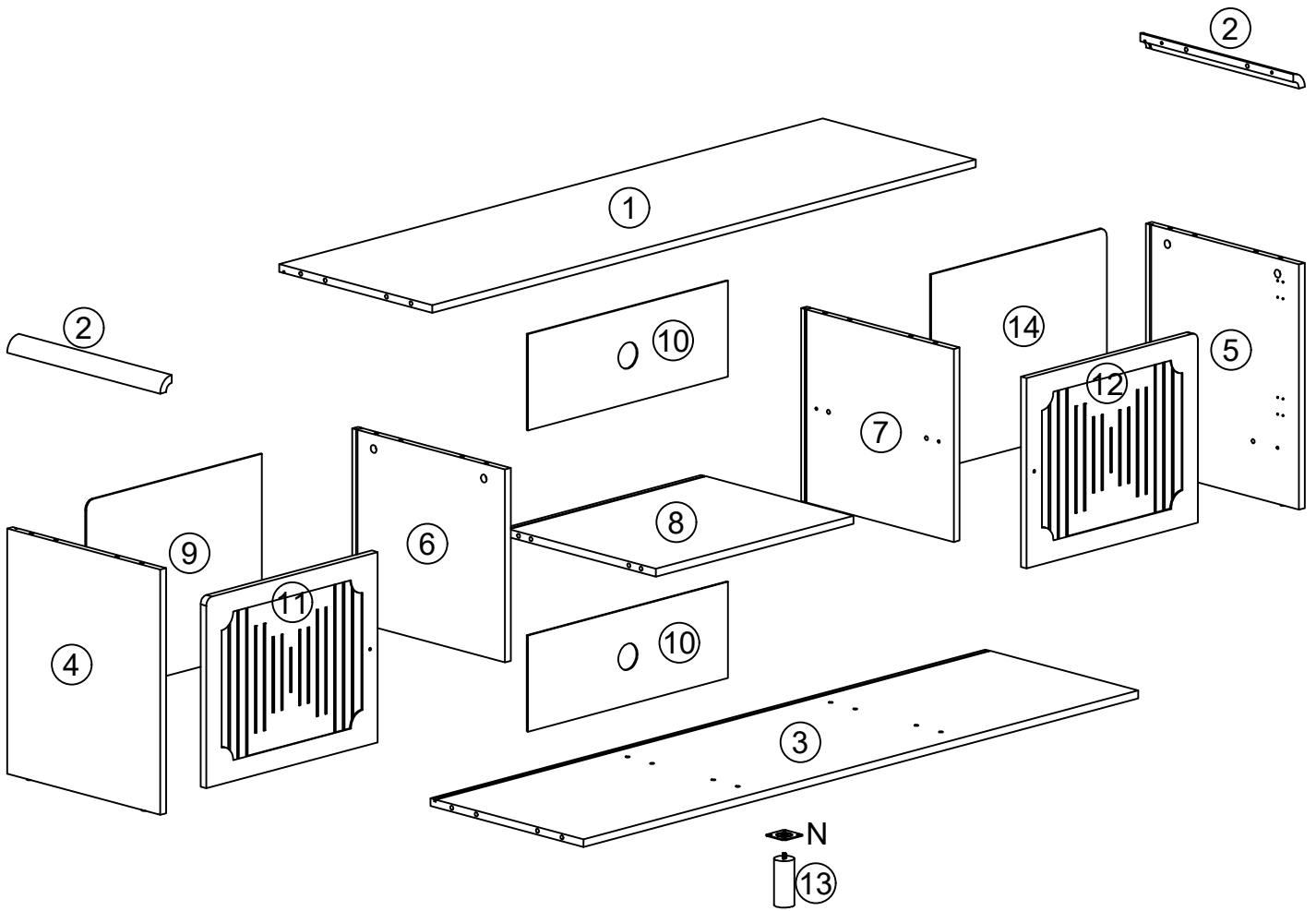


Installation & Assembly



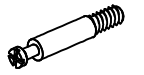


A×20PCS	B×20PCS	C×24PCS	D×36PCS	E×8PCS
 M6×35mm	 Ø15×12mm	 Ø8×30mm	 Ø3.5×14mm	
F×8PCS	G×4PCS	H×1PC	I×4PCS	J×2PCS
			 Ø6×50mm	
K×2PCS	L×1PC	M×2PCS	N×1PC	O×4PCS
 M4×18mm	 M4mm			 Ø4×14mm

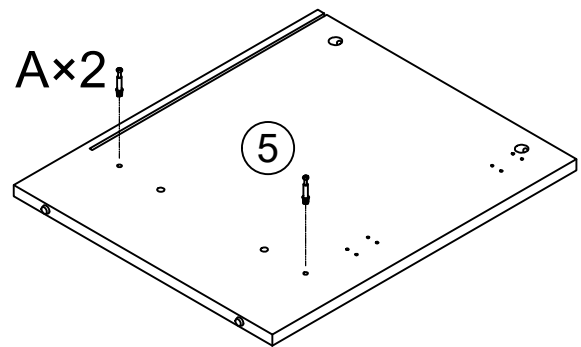
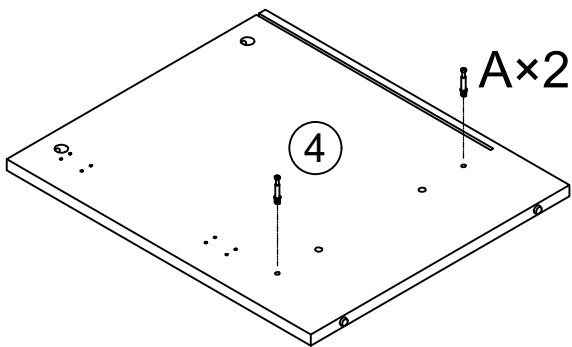
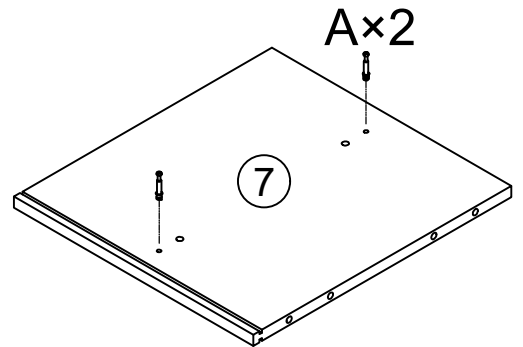
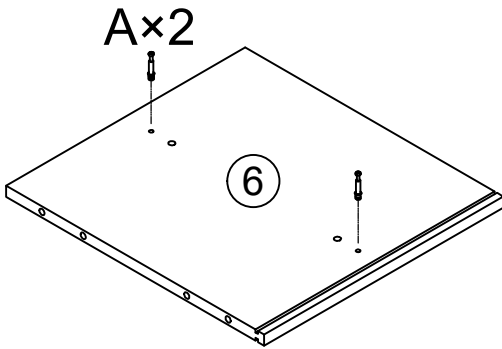


1.

A×8PCS



M6×35mm



2.

B×2PCS

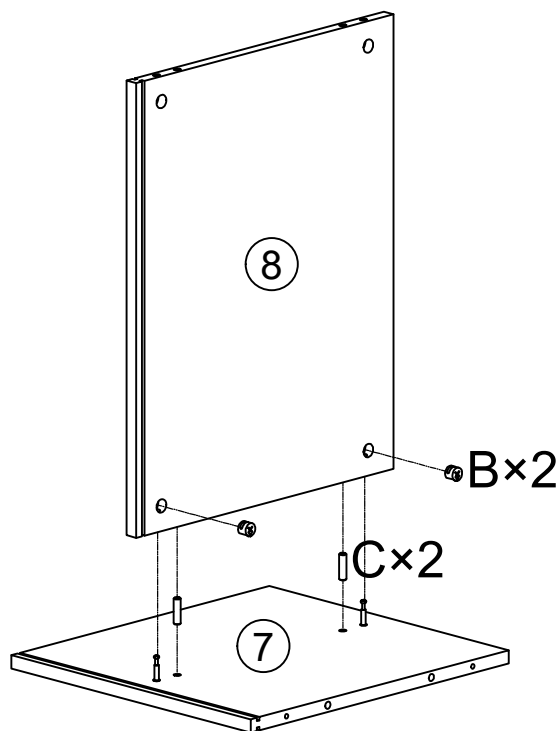




Ø15×12mm

C×2PCS

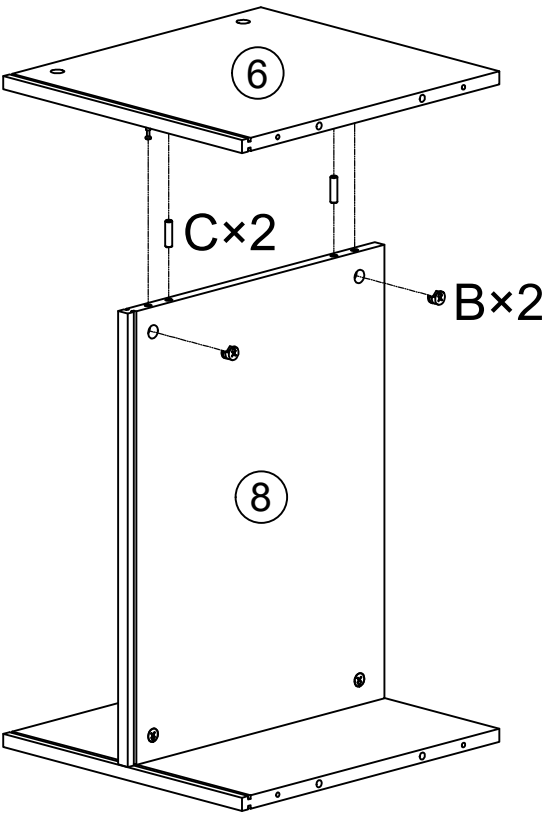


Ø8×30mm

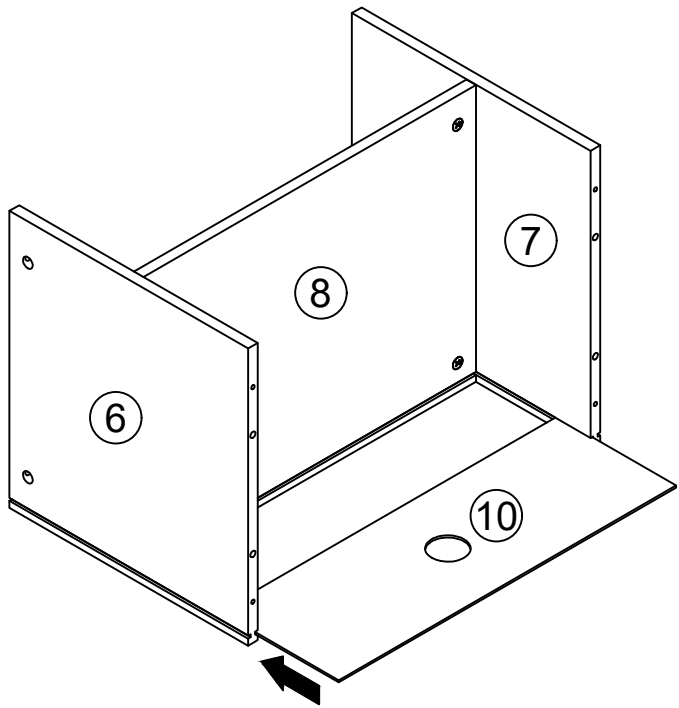


B×2PCS	C×2PCS
	
Ø15×12mm	Ø8×30mm




3.

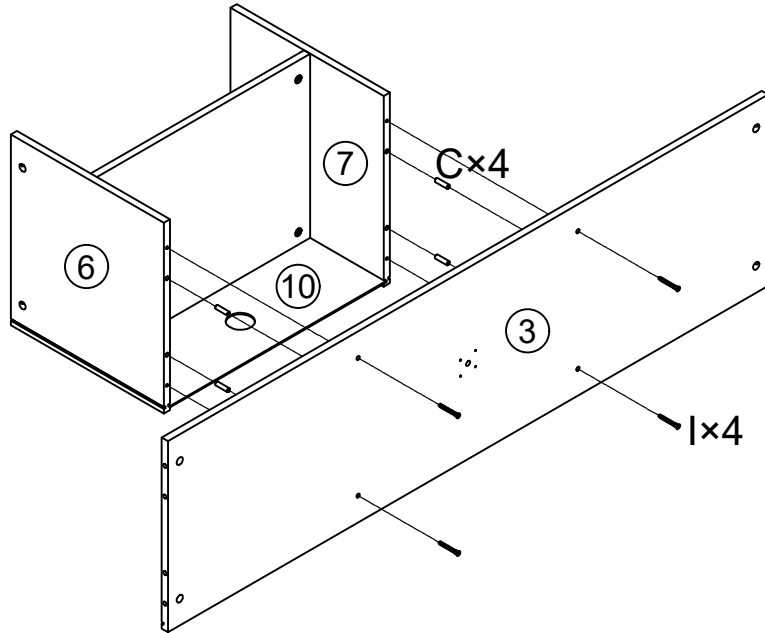


4.





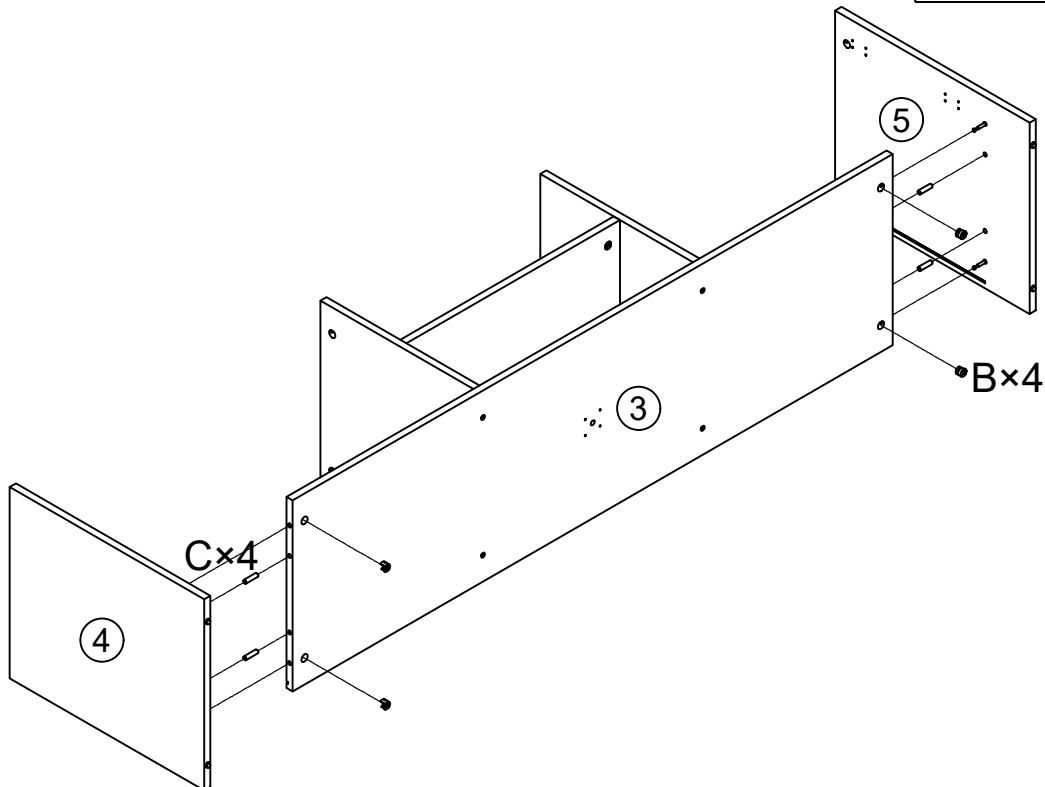
5.


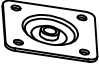

C×4PCS	I×4PCS	L×1PC
		
Ø8×30mm	Ø6×50mm	M4mm



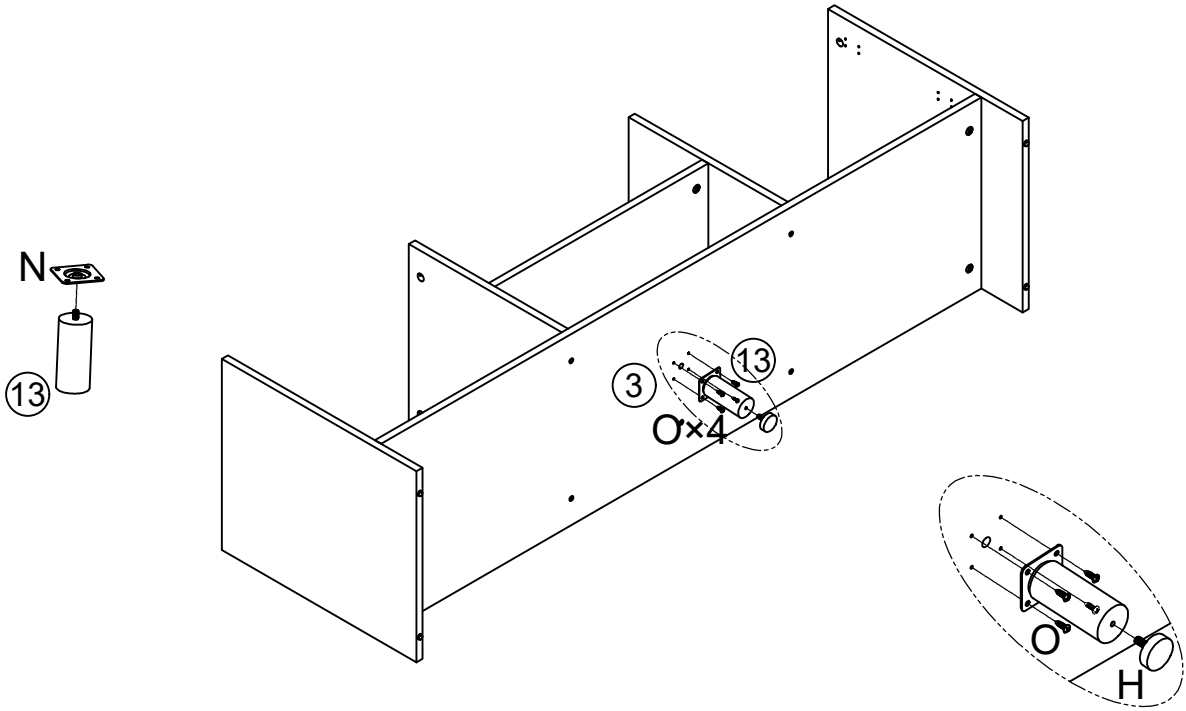
6.

B×4PCS	C×4PCS
	
Ø15×12mm	Ø8×30mm

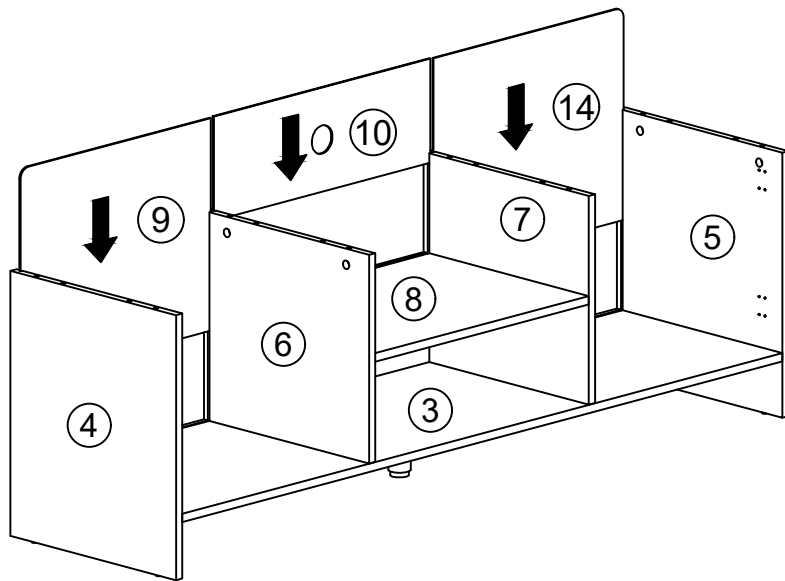


H×1PC	N×1PC	O×4PCS
		 Ø4×14mm

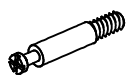



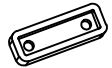
7.

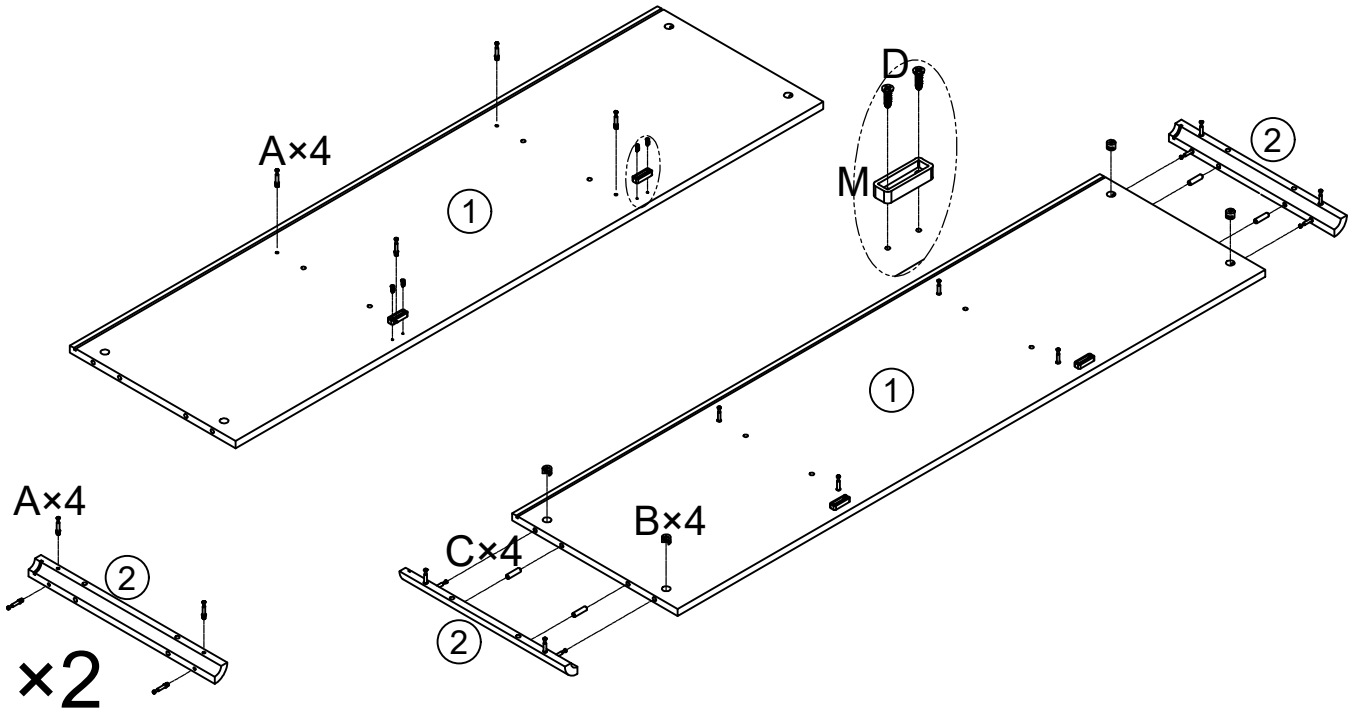


8.






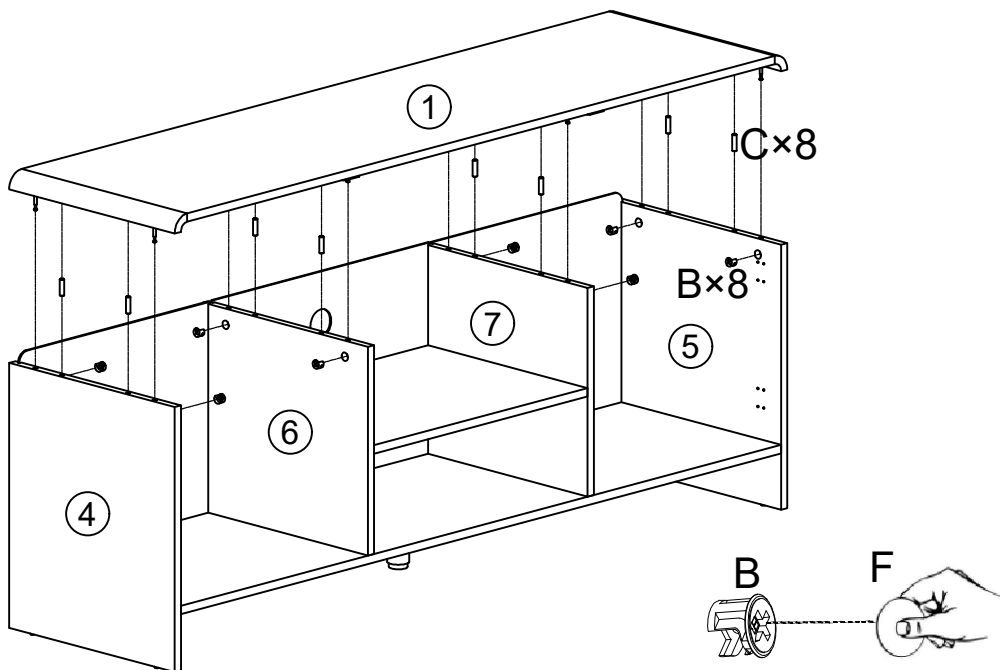
9.


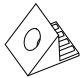
A×12PCS	B×4PCS	C×4PCS	D×4PCS	M×2PCS
				
M6×35mm	Ø15×12mm	Ø8×30mm	Ø3.5×14mm	



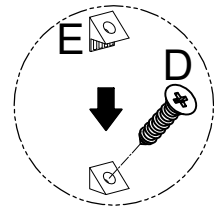
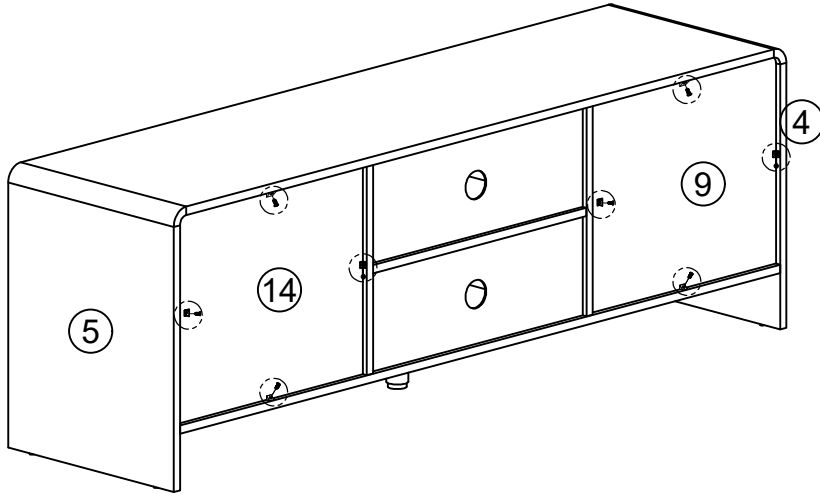
10.





B×8PCS	C×8PCS	F×8PCS
		
Ø15×12mm	Ø8×30mm	



D×8PCS	E×8PCS
	
Ø3.5×14mm	

11.



D×24PCS	G×4PCS	J×2PCS	K×2PCS
			
Ø3.5×14mm			M4×18mm

12.

