



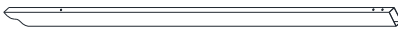

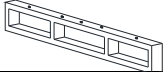

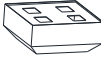






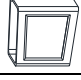



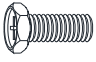




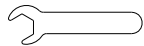
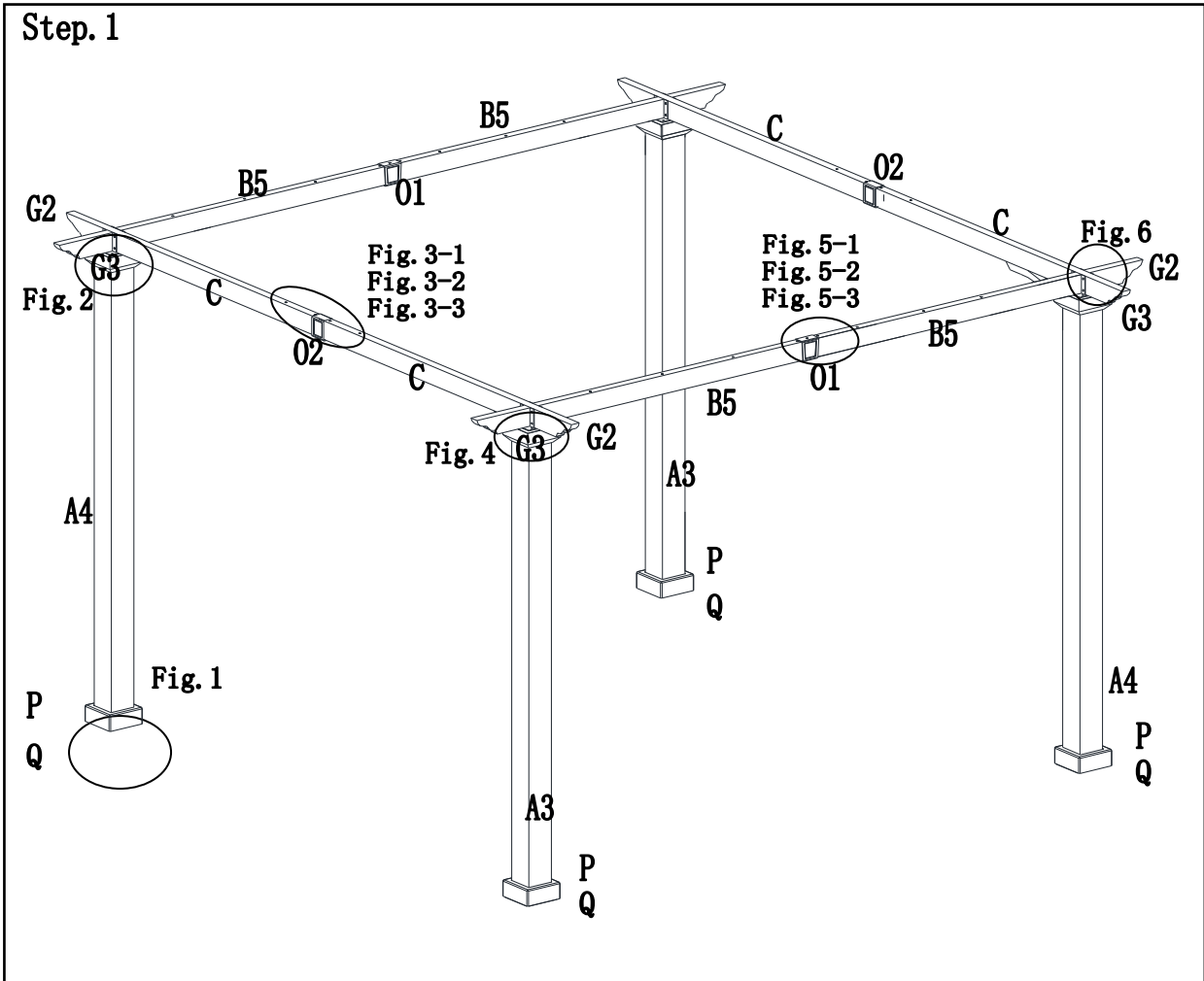


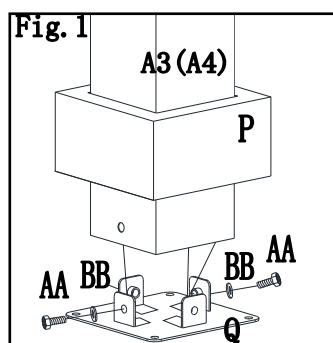
## Parts List

Post1	A3	P000200258	2	
Post2	A4	P000200259	2	
Top beam1	B5	P000601186	4	
Top beam 2	C	P000600812	4	
Short small across beam	D2	P000600814	7	
Long small across beam	D3	P000600813	7	
Top beam connector2	E2	P000500997	4	
Corner decor	G2	P005600135	4	
Post top	G3	P000300033	4	
Support	H	P005000224	8	
Rail tube connector	K	P000500662	8	
Tube1	L3	P005700233	2	
Tube 2	L4	P005700232	2	
Rail Tube	M1	P005700234	4	
Cover 1	O1	P005600114	2	
Cover2	O2	P005600115	2	
Protect cover	P	P006100102	4	
Stake plate	Q	P000100162	4	
Canopy	N	P006400008	1	

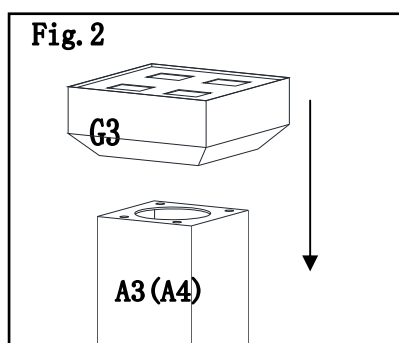
**Hardware Pack 1**

AA	M6*20 Cross hexagonal bolt	H02020C11	40 PCS	
BB	M6 washer	H19001C11	72PCS	
CC	M6*60 hexagonal bolt	H02060C11	16PCS	
DD	M6 Nut	H14001C11	16PCS	
LL	M6 spring washer	H13001C11	48PCS	
Z	M6 wrench	H00001C12	2 PCS	

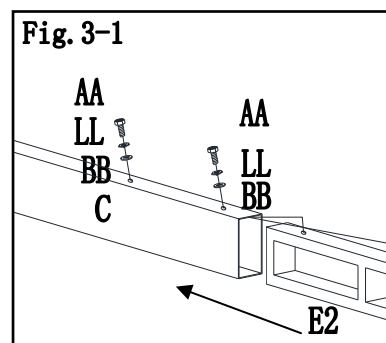




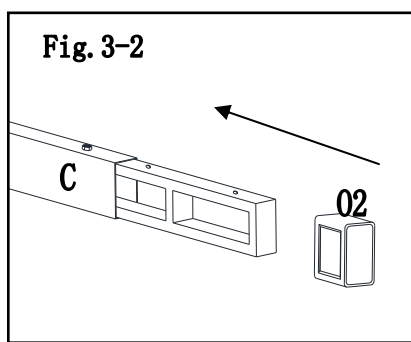
**Fig.1:** Put the protect cover(P) through post (A3/A4),then fix the stake plate (Q) to post bottom(A3/A4) by using bolt (AA) and Washer(BB).



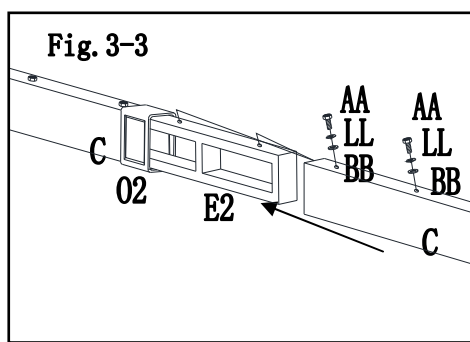
**Fig.2:** Attached the post top (G3) to post (A3/A4), set aside.



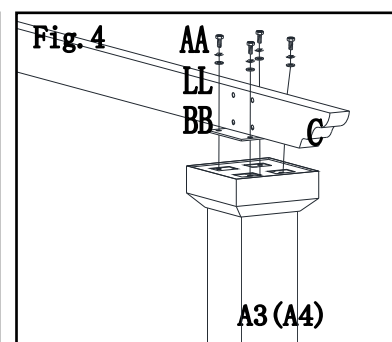
**Fig.3-1:** Attached the top beam connector 2 (E2) to top beam 2(C) by using bolt (AA), spring washer (LL) and flat wash (BB).



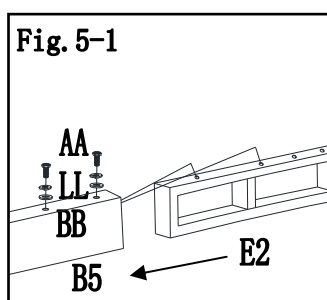
**Fig.3-2:** Attached the cover 2 (O2) to top beam 2(C).



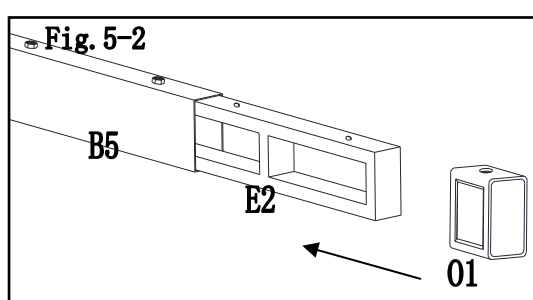
**Fig.3-3:** Attach the top beam2(C) the assembled connector2 (E2), and fasten by using bolt (AA), spring washer (LL) and flat washer (BB).



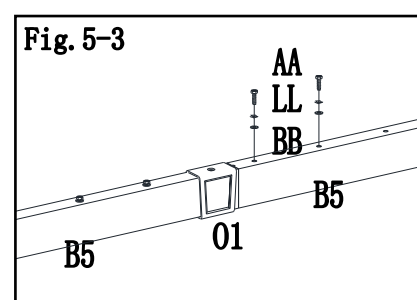
**Fig.4:** Attached the assembled top beam 2(C) to post (A3/A4), then fasten by using bolt (AA), spring washer (LL) and flat washer (BB).



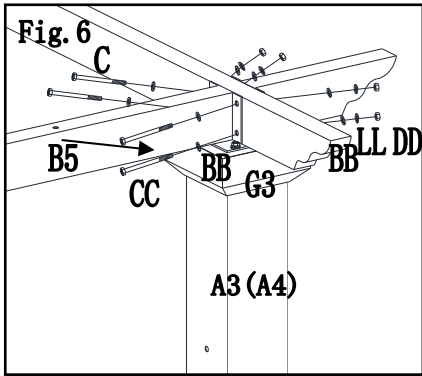
**Fig.5-1:** Insert the top beam connector 2(E2) to top beam 1(B5) and fasten by using bolt (AA), spring washer(LL) and flat washer (BB).



**Fig.5-2:** Install the cover 1 (O1) to the top beam 1(B5).as per arrow direction.






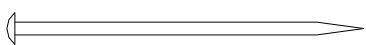


**Fig.5-3:** Attached top beam 1 (B5) to the top beam connector 2 (E2) and fasten by using the bolt (AA), Spring washer (LL) and flat washer (BB).

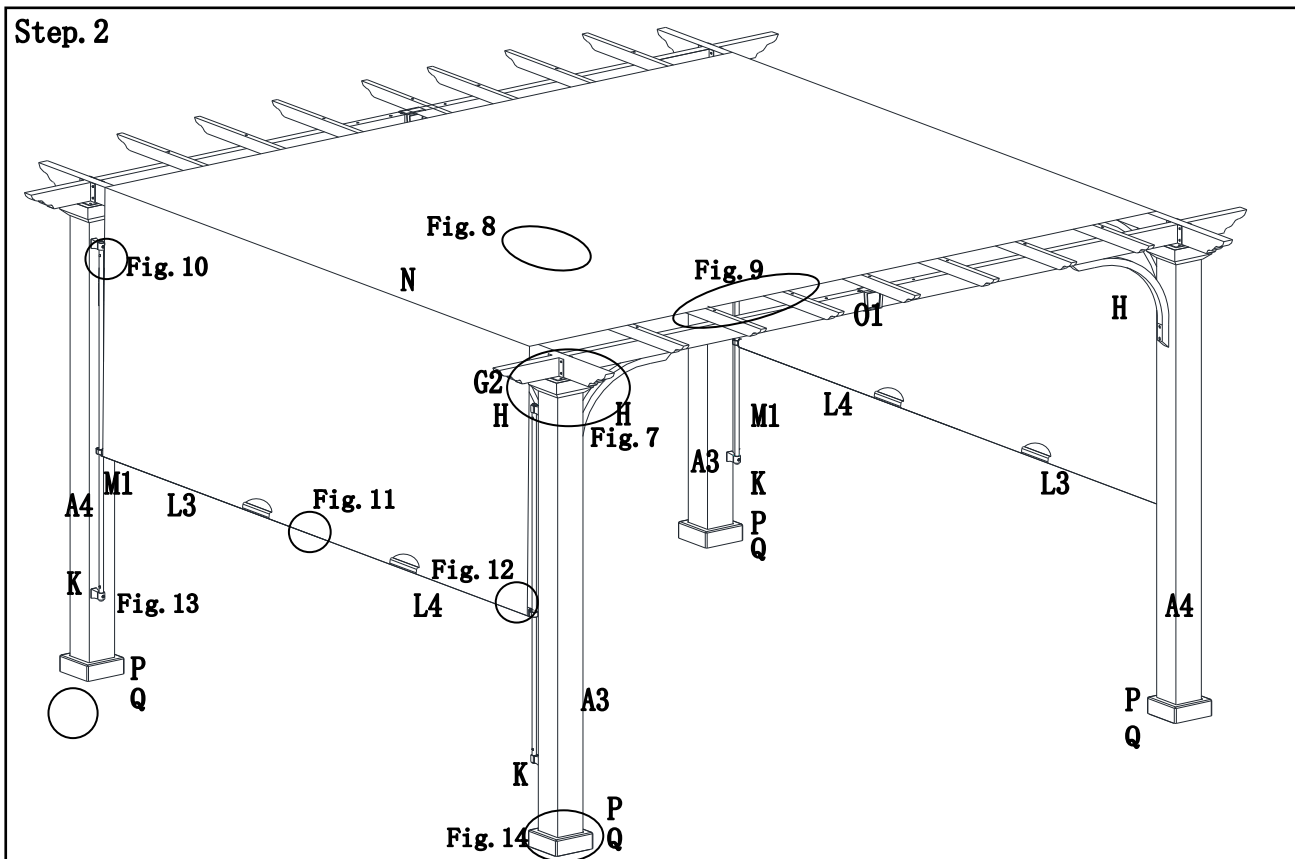


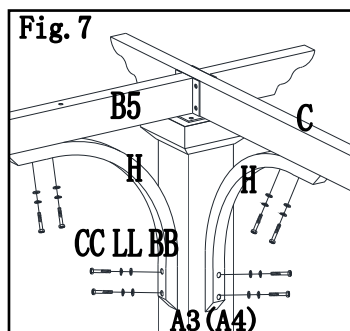
**Fig.6:** Attached top beam 1 (B5) to the top beam 2 (C), by using the bolt (CC), Spring washer ( LL), flat washer (BB) and nut (DD).

**Hardware Pack 2**

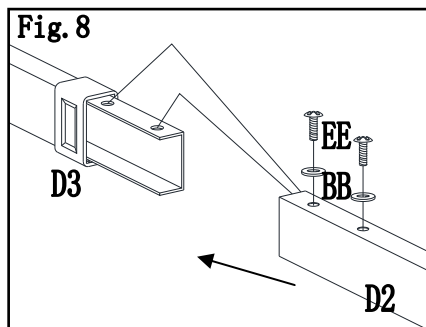
BB	M6 flat washer	H19001C11	64 PCS	
CC	M6*60 bolt	H02060C11	32 PCS	
EE	M6*15 bolt	H09015C11	18 PCS	
FF	M6*70 bolt	H02070C11	22PCS	
LL	M6 spring washer	H13001C11	36PCS	
GG	Φ 8*180 stake	P12401A01001	8 PCS	

**Step. 2**

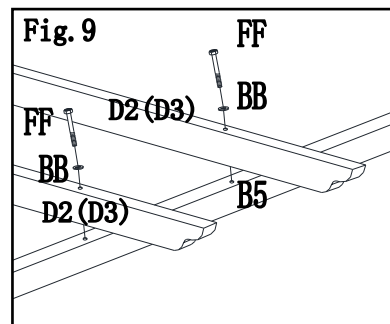




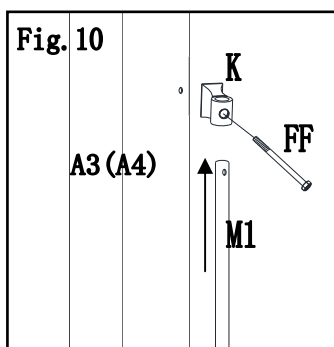
**Fig.7:** Attached the support (H) to the post (A3/A4) and top beam (B5/C), by using bolt (CC), spring washer (LL) and flat washer (BB).



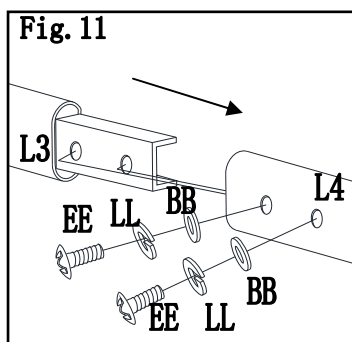
**Fig.8:** Connect the long small across beam (D3) to short small across beam (D2), and fix by using bolt (EE) and flat washer (BB).



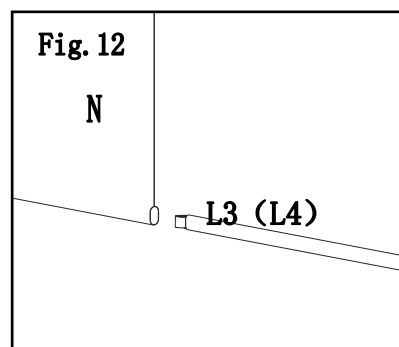
**Fig.9:** Attached the assembled small across beam (D2/D3) to beam 1(B5), and fix by use bolt (FF) and washer (BB).



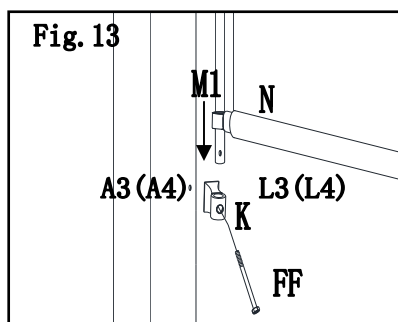
**Fig.10:** Insert the top of rail tube (M1) to the tube connector (K) and fix to the post (A3/A4) by using the bolt (FF).



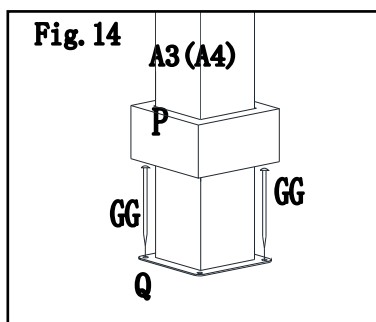
**Fig.11:** Insert tube 1(L3) to tube 2(L4), and fix by using bolt (EE), spring (LL) and flat washer (BB).



**Fig.12:** Insert the assembled tube 1 and tube 2(L3/L4) to bottom of canopy (N).



**Fig.13:** Insert the bottom of rail tube (M1) to the tube connector (K) and fix to the post (A3/A4) by using the bolt (FF).



**Fig.14.** Fix the assembled pergola to ground by using stake (GG).

## Care and Maintenance

- Our steel components for garden accessories and furniture are treated with rust inhibiting paint that protects it from rusting. However, due to the nature of steel, surface oxidation (rusting) will occur once these protective coatings are scratched. This is not a defect and thus not covered by the warranty.
- To minimize this condition, we recommend care when assembling & handling the product to prevent scratching the paint. Should any scratching or damage occur, we recommend immediate touch-up with rust inhibiting paint.
- Surface rust can also be easily removed with a very light application of common cooking oil. If surface oxidation (rusting) occurs and if no measure is taken to prevent this, the oxidation may start dripping on to deck or patio and caused damaging stains, which may be difficult to remove. This can be prevented if the above-mentioned measures are taken to keep the product from oxidizing.
- Use damp cloth to wipe off the stains as quickly as possible.
- If necessary, wash with a mild solution of soap and water; rinse thoroughly and dry completely.
- Periodically check and ensure that all bolts are well-tighten during use.

## Limited Manufacturer's Warranty

We warrants to the original purchaser that this item is free from defects in workmanship and materials for a period of **6 months** from the date of purchase, provided the item was factory-sealed at the time of purchase and is maintained with care and used only for personal, residential purposes. Should any manufacturing defect arise within this warranty period, we will replace (at our option) any defective merchandise or parts upon proof of purchase; however, transportation and delivery costs, as well as payments to a third party for assembly or disassembly of the item, remain the responsibility of the purchaser. A purchaser of an "open box," previously-returned, or "clearance" item, as well as original purchasers outside of the warranty period, may obtain replacement parts from our products in current production, at nominal cost.

## Exclusions:

Items used for commercial, contract, or other non-residential purposes, or items damaged due to acts of nature, vandalism, misuse, or improper assembly are not covered. Corrosion or rusting of hardware is not covered. Proof of purchase (dated register receipt) is required for warranty claims. Warranty is to the original purchaser and is non-transferable. Any replacement of warranted items will be in the original style and color, or a similar style and color if the original is unavailable or has been discontinued. As some states do not allow exclusions or limitations on an implied warranty, the above exclusions and limitations may not apply. This warranty gives you specific rights, and you may also have other rights, which vary from state to state.