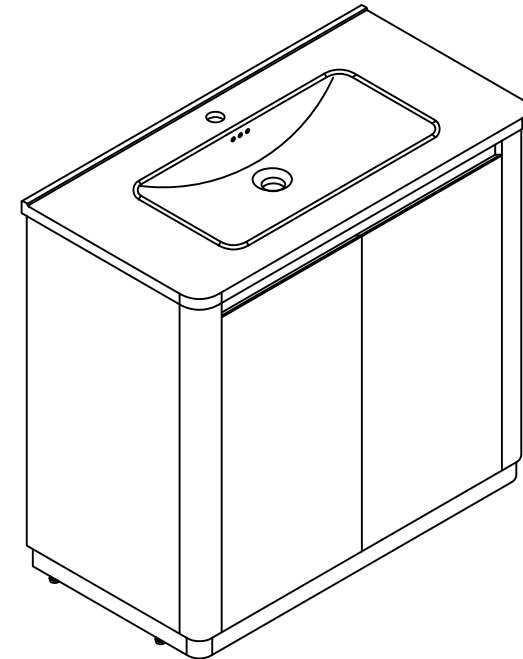


**Installation Manual-BV H12236
BV H12240**

**MOTIVATE
YOUR LIFE !**

THANKS FOR WATCHING

Your feedback is invaluable to us and we would love to hear about your experience. Please take the time to leave us a review.



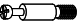


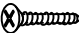










Thank you for shopping with us!

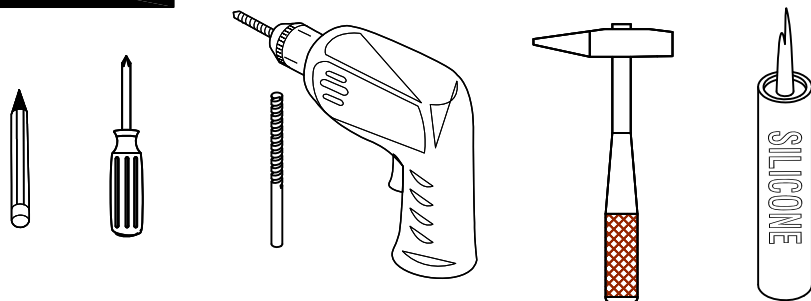
We encourage you to take a few minutes to go through this booklet. It contains important information on installation and care tips to keep your furniture looking as good as new.

Item NO.:BV H12236 / BV H12240

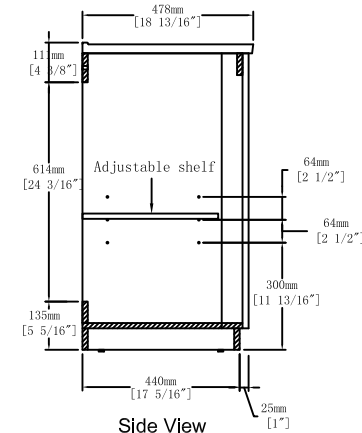
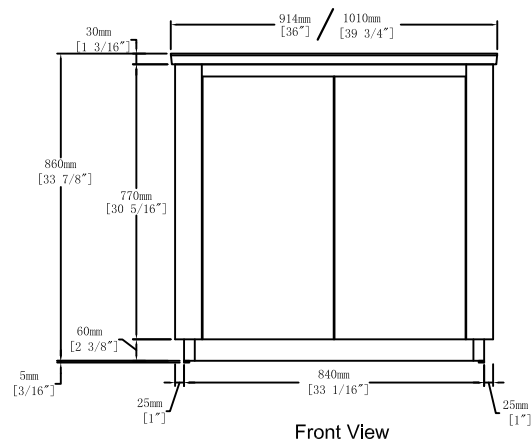
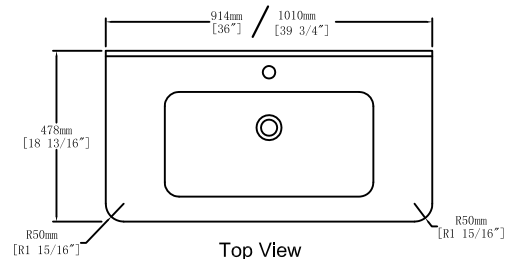
Hardware

NO.	Draw	QTY	NO.	Draw	QTY
A	 Screws Ø4x14mm	44	H	 Bracket (19x19x35mm)	2
B	 Two-in-one connector	29	I	 Hinges(Internal hiding)	4
C	 Two-in-one connector	29	J	 Screws Ø4x25mm	6
D	 Wood plug	8	K	 Adjustable feet	4
E	 Plastic anchor(Ø10mm)	2	L	 Movable laminate support	4
F	 Screws for fix on the wall	2	M	 Anti-collision gasket	4
G	 Bracket (53x70x44mm)	2	N	 Screwdriver	1

Recommended tools



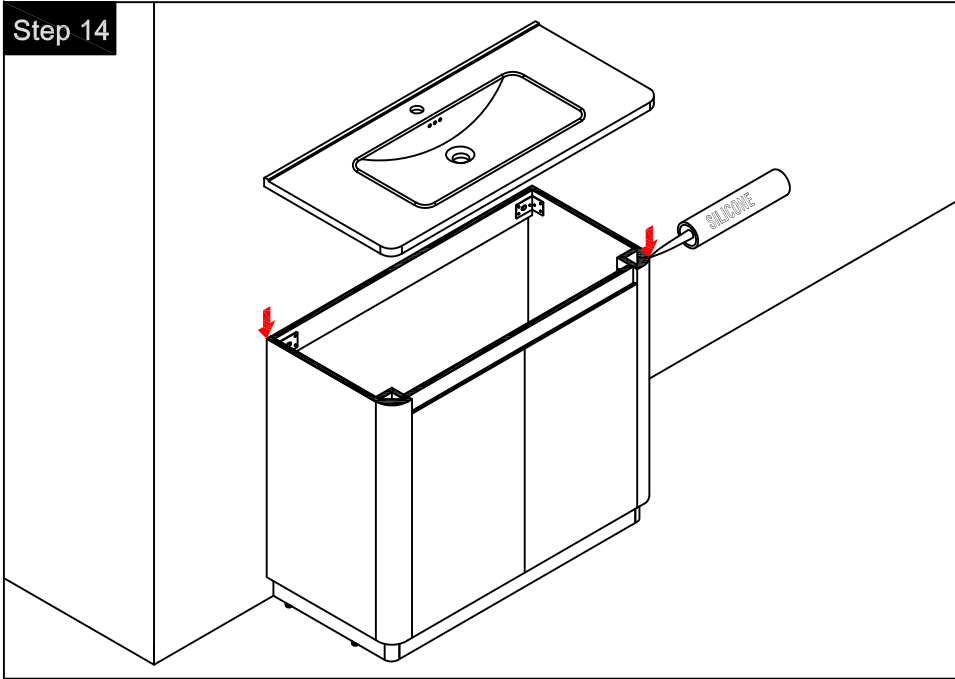
Dimensions



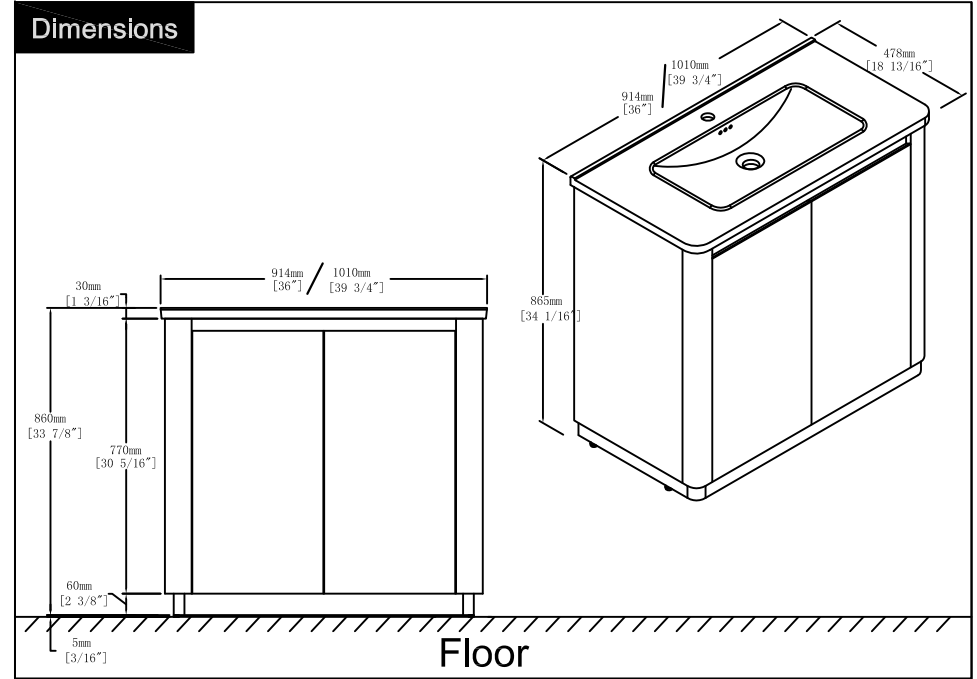
CARE CLEANING AND MAINTENANCE

- 1.Dust regularly with a soft , dry cloth.
- 2.Avoid the use of all chemicals household cleaners, abrasives, or cleaners that contain lemon, vinegar, or other acids that may damage the finish.
- 3.Excessive exposure to sunlight and extreme changes in temperature and moisture can damage wood furniture.
- 4.The sink is fragile, please pay attention to maintaining its appearance.
- 5.Do not place hot appliances, such as curling irons and hot hair dryers directly on the countertop. Wipe spills immediately.

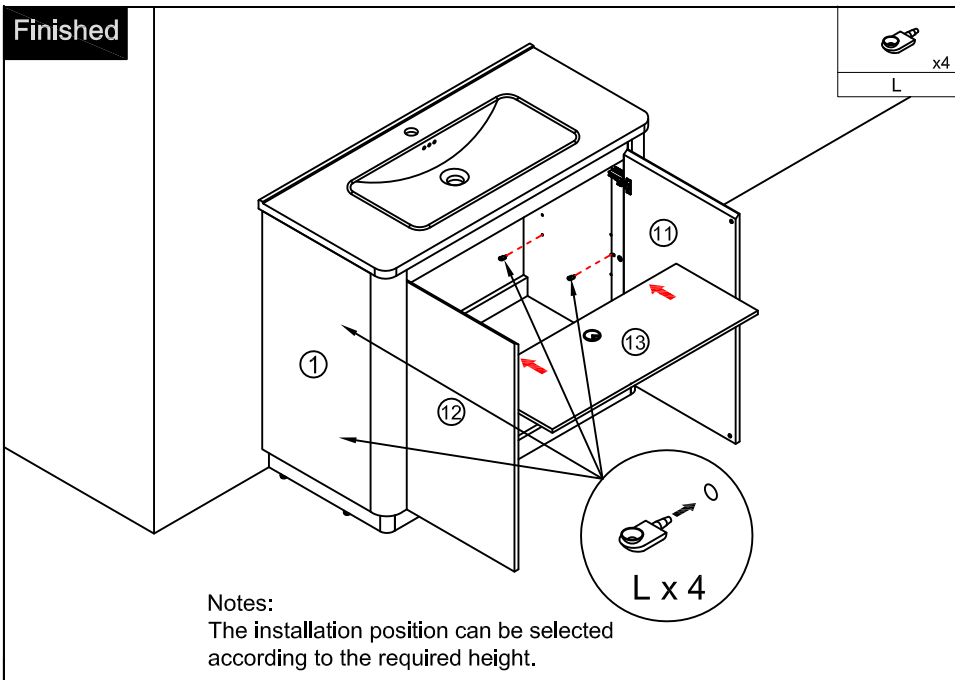
Step 14



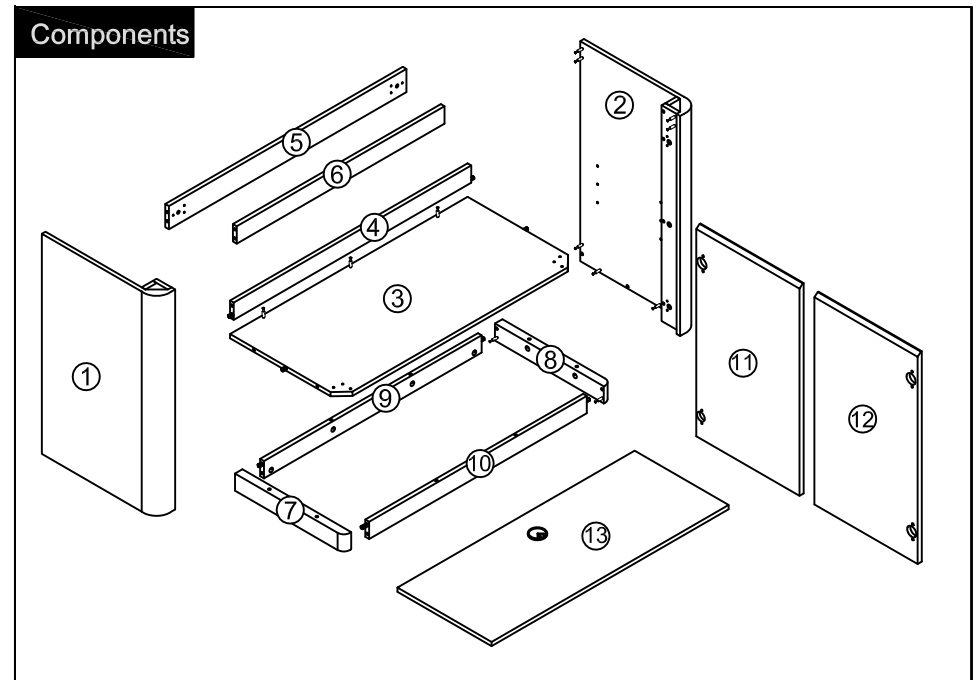
Dimensions



Finished



Components



Step 1

	x3
B	
	x3
C	
N	

Attention: Cam lock arrow point to the steel rod.

Notes: Screw installation depth as shown

Step 2

	x3
B	
	x3
C	
	x2
D	
N	

Note: The D parts are used for these two holes

first step second step third step

Step 12

	x2
E	
Tool	

Step 13

	x2
F	
Tool	

Step 9

	x4
I	(Ø4 x 14mm)
	x24
A	
	x4
M	
	Tool

You can adjust the doors by tightening or loosening the screws on the hinge. →

Step 3

	x4
B	
	x4
C	
	Tool

Step 10

Tool

Step 11

Tool

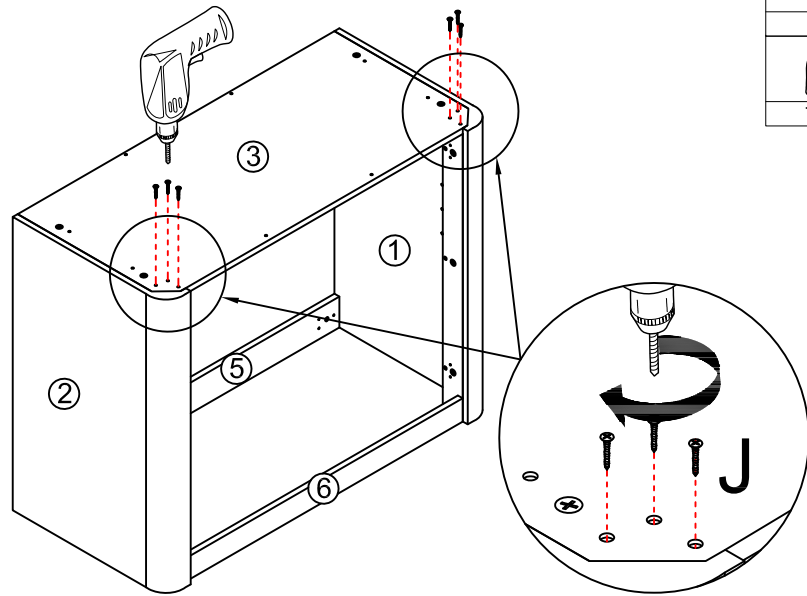
Ø10

Step 4

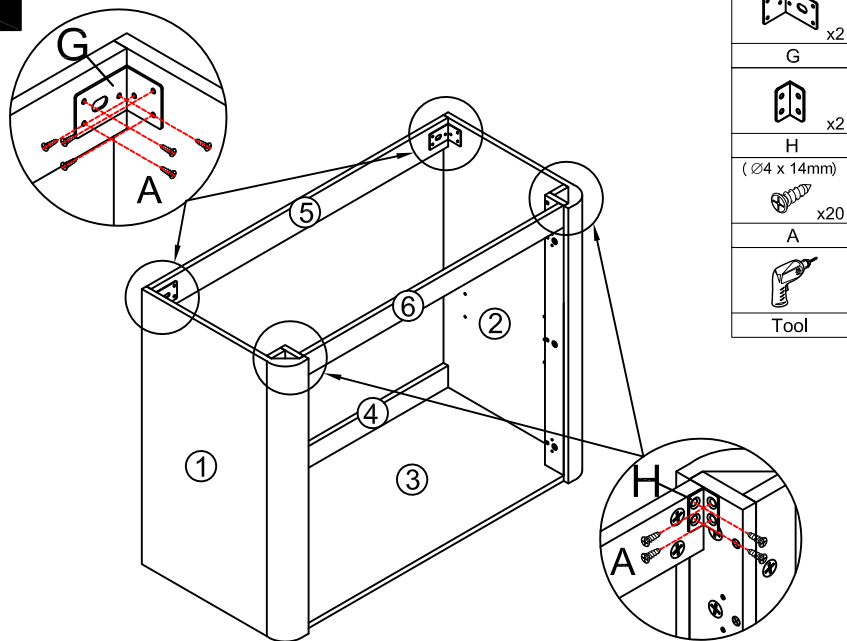
	x7
B	
	x7
C	
	x2
D	
	Tool

Note: The D parts are used for these two holes

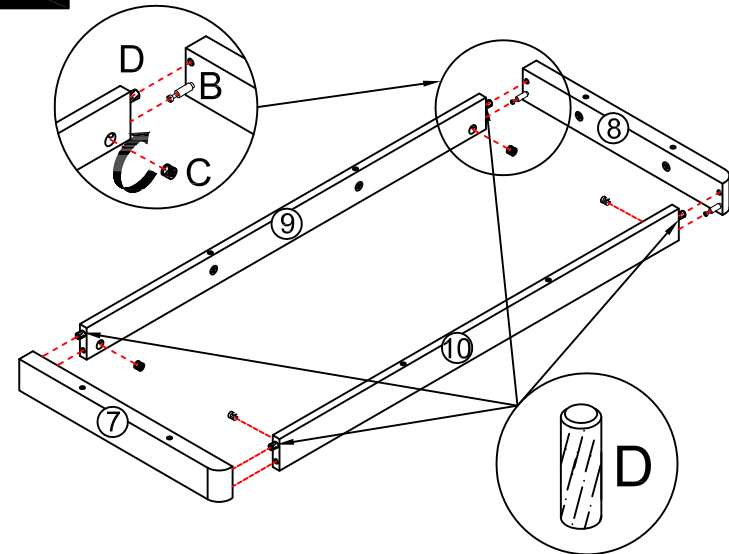
Step 5



Step 6

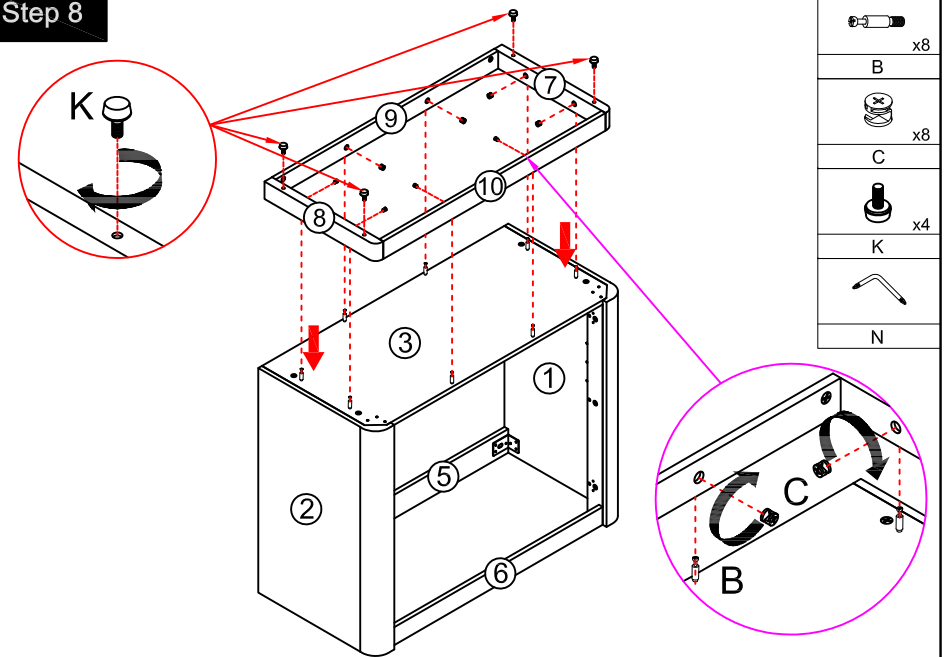


Step 7



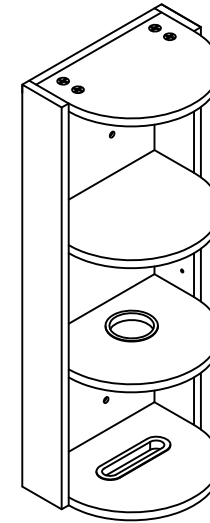
Note: The D parts are used for these four holes

Step 8

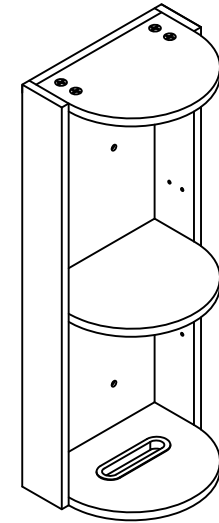


THANKS FOR WATCHING

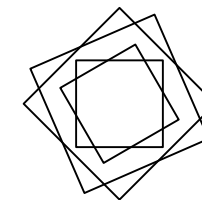
Your feedback is invaluable to us and we would love to hear about your experience. Please take the time to leave us a review.



Three layer side cabinet



Two layer side cabinet

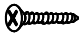

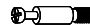


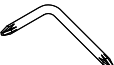


Thank you for shopping with us!

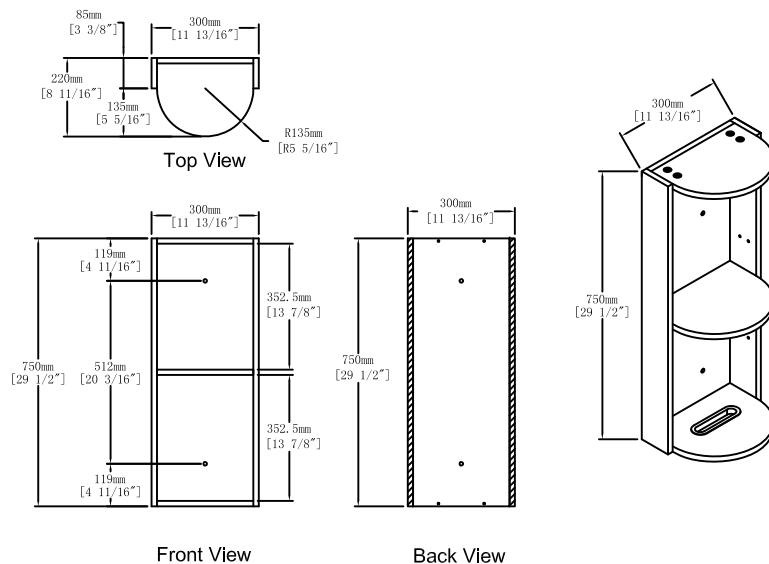
We encourage you to take a few minutes to go through this booklet. It contains important information on installation and care tips to keep your furniture looking as good as new.

Item NO.:SC 00612

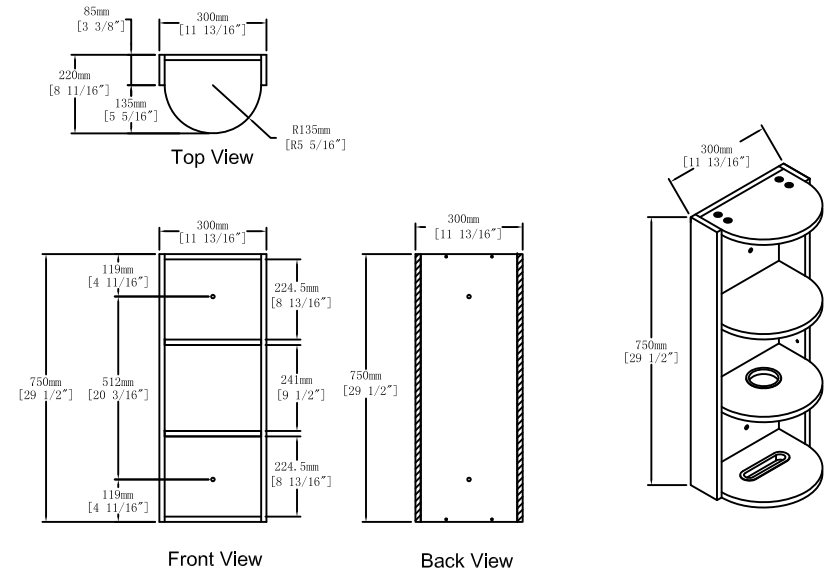
Hardware

NO.	Draw	QTY	NO.	Draw	QTY
A	 Screws Ø4x25mm	4	D	 Plastic anchor(Ø10mm)	2
B	 Two-in-one connector	22	E	 Screws for fix on the wall	2
C	 Two-in-one connector	22	F	 Screwdriver	1

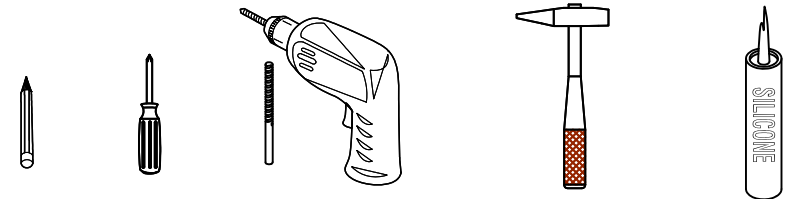
Dimensions Two layer side cabinet



Dimensions Three layer side cabinet



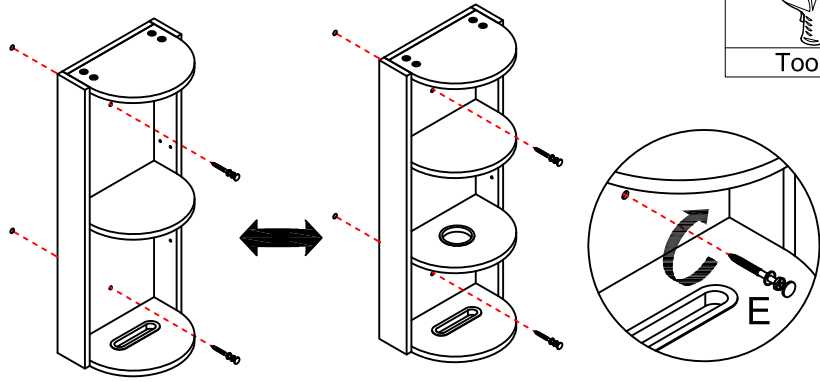
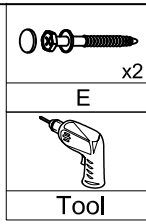
Recommended tools



CARE CLEANING AND MAINTENANCE

1. Dust regularly with a soft , dry cloth.
2. Avoid the use of all chemicals household cleaners, abrasives, or cleaners that contain lemon, vinegar, or other acids that may damage the finish.
3. Excessive exposure to sunlight and extreme changes in temperature and moisture can damage wood furniture.
4. Do not place hot appliances, such as curling irons and hot hair dryers directly on the countertop. Wipe spills immediately.

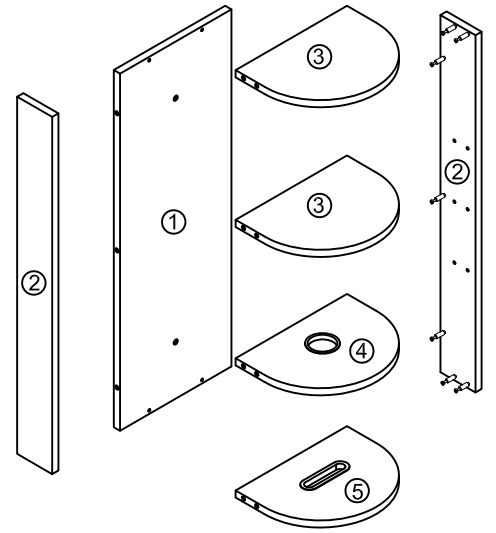
Step 7



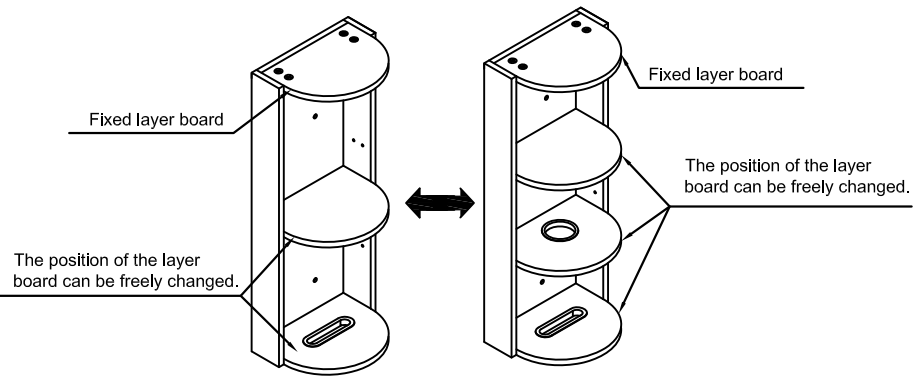
Two layer side cabinet

Three layer side cabinet

Components



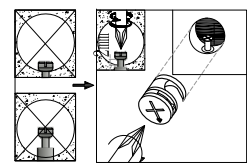
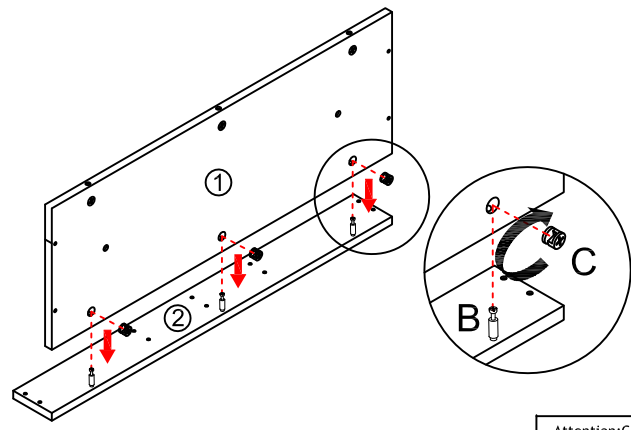
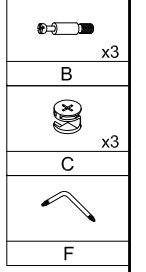
Finished



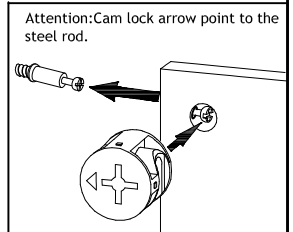
Two layer side cabinet

Three layer side cabinet

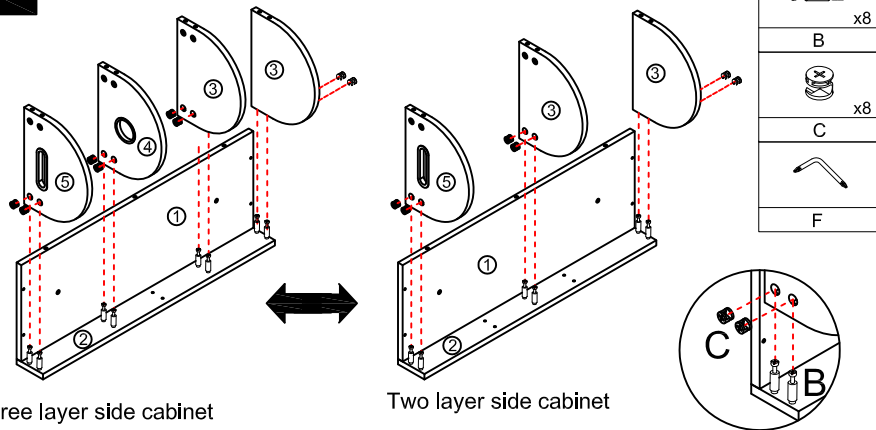
Step 1



Notes: Screw installation depth as shown



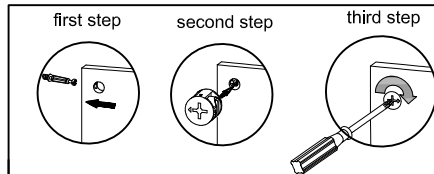
Step 2



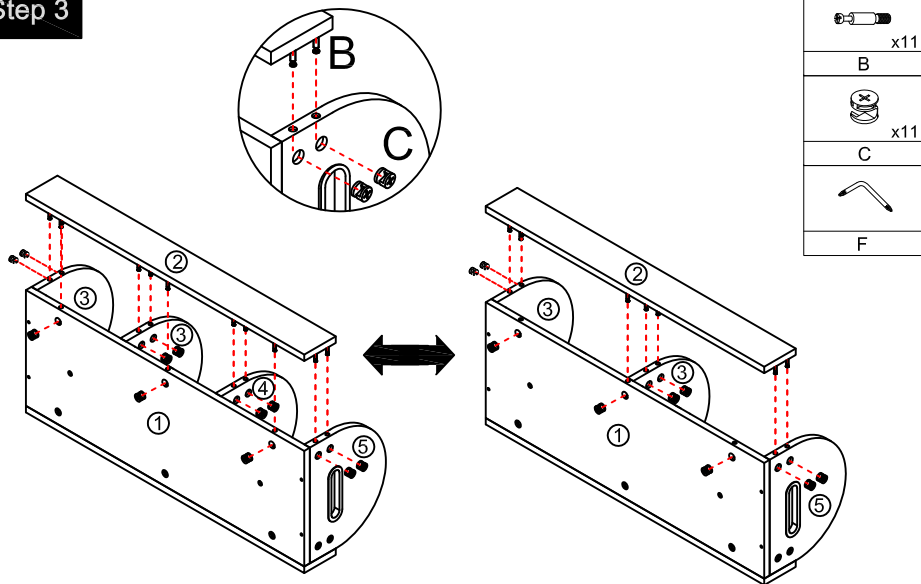
Three layer side cabinet

Two layer side cabinet

The top layer is a fixed board, and other layers can be installed with one or two boards according to their own needs. The installation position of the boards can be installed as needed, as shown in the diagram.



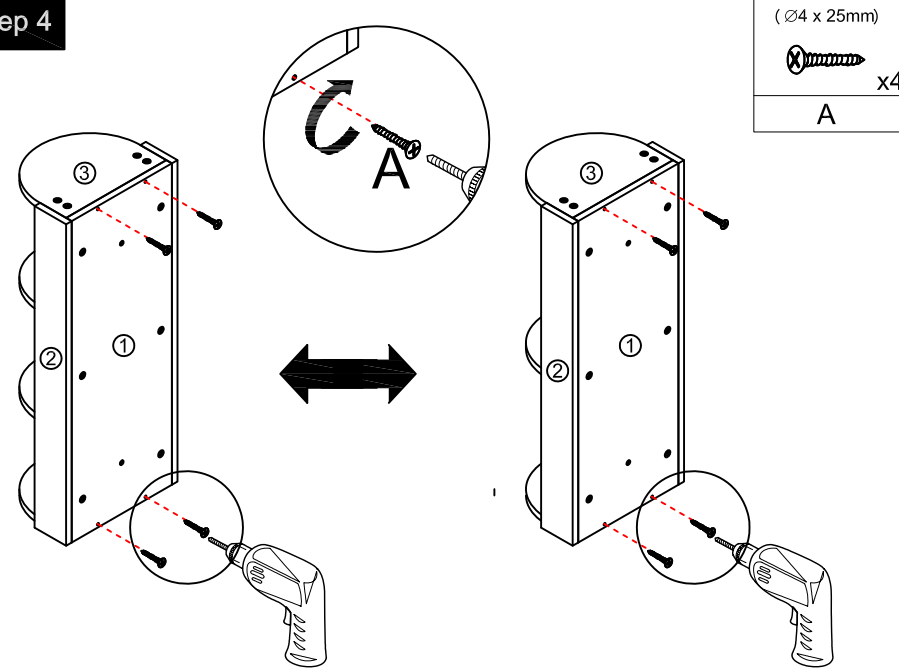
Step 3



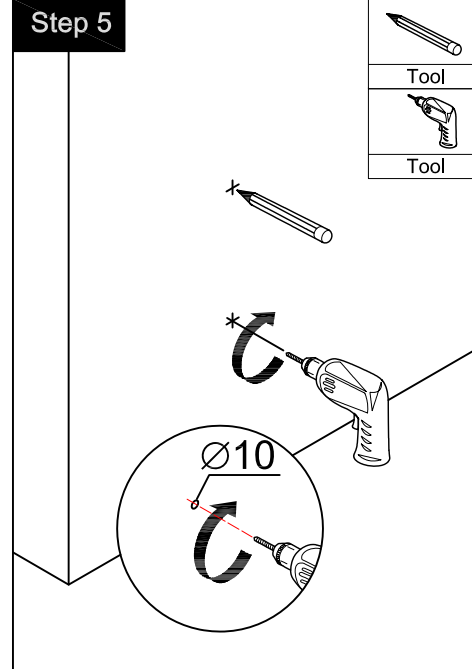
Three layer side cabinet

Two layer side cabinet

Step 4



Step 5



Step 6

