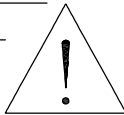
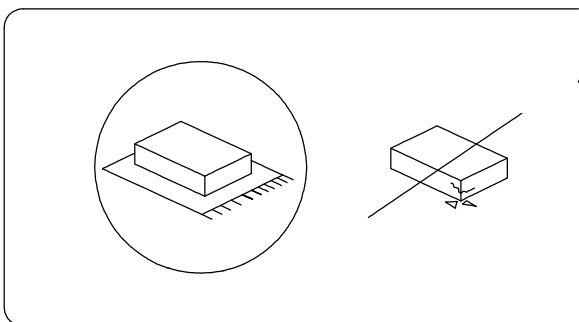
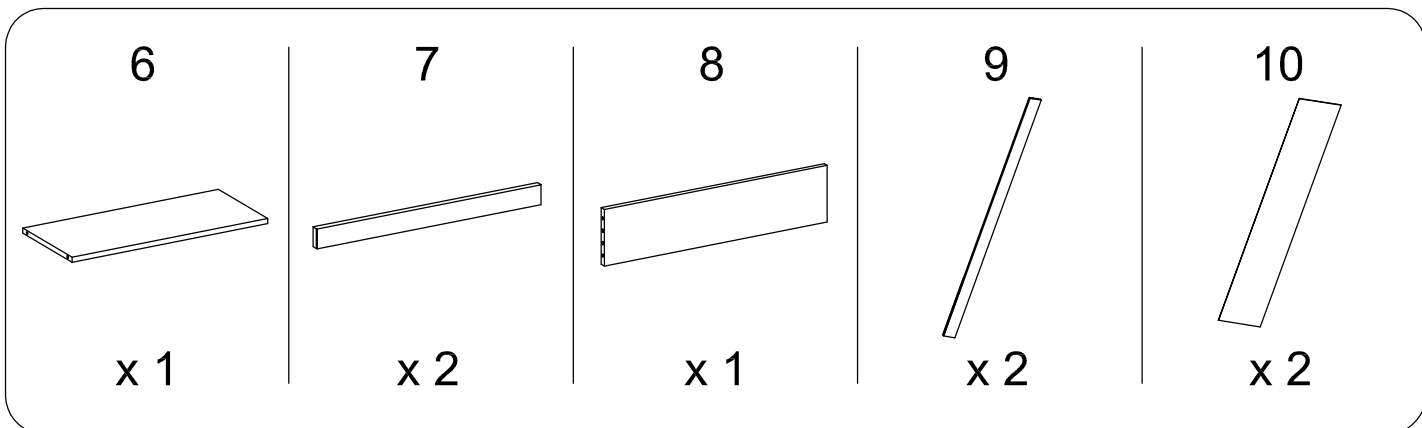
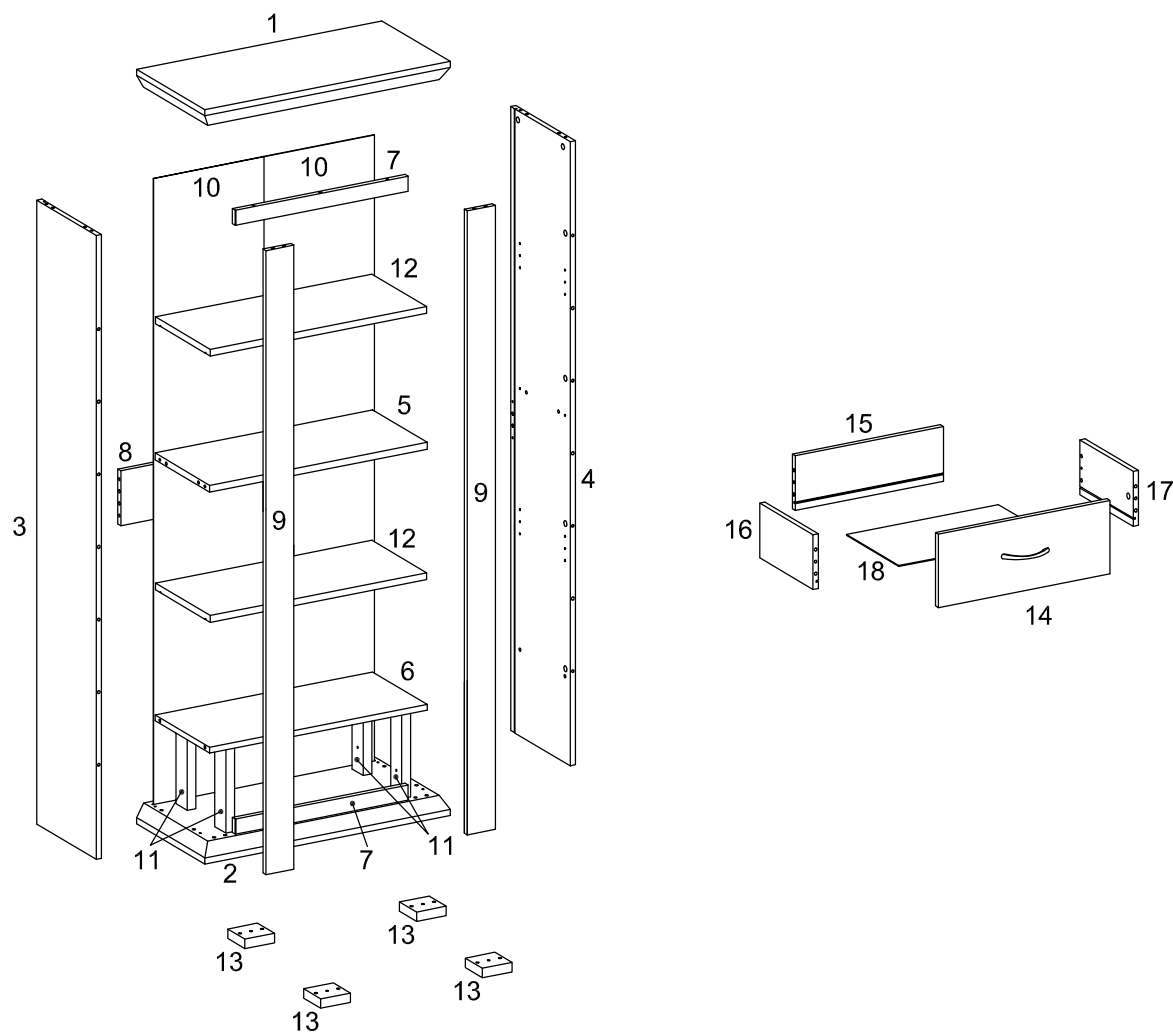
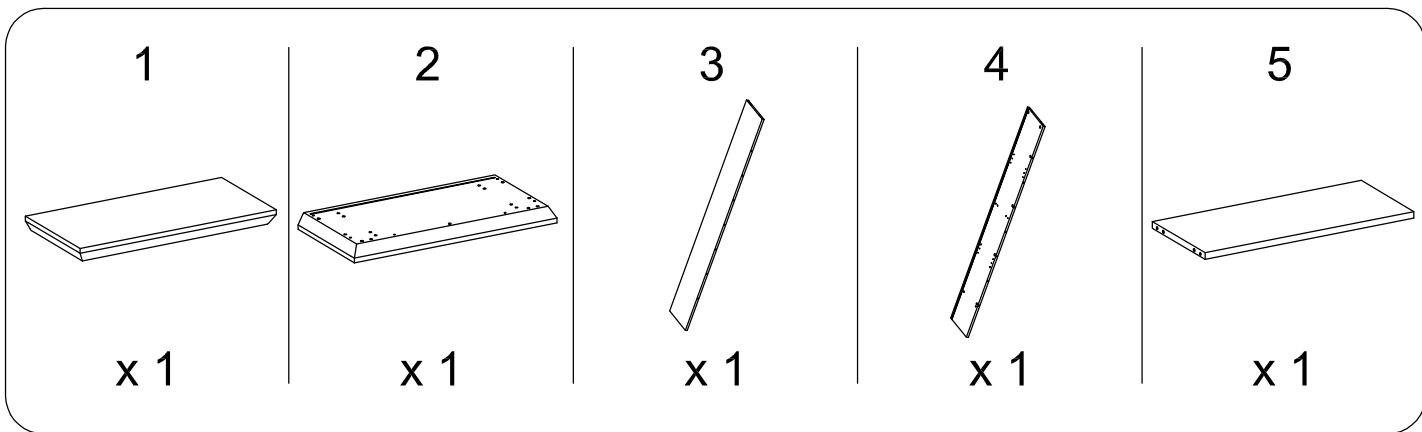


60'



2

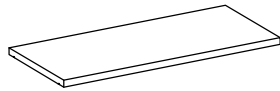


11



x 4

12



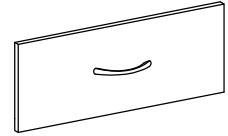
x 2

13



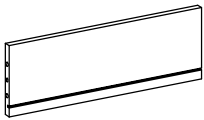
x 4

14



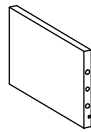
x 1

15



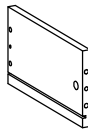
x 1

16



x 1

17



x 1

18



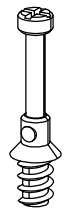
x 1

A



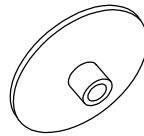
x 26

B



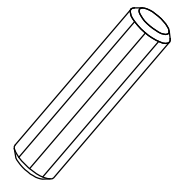
x 26

C



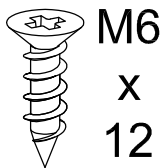
x 26

D



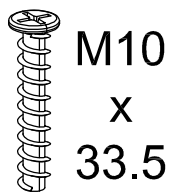
x 68

E



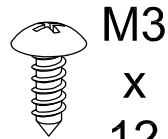
x 4

F



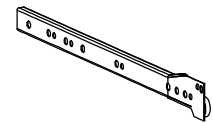
x 10

G



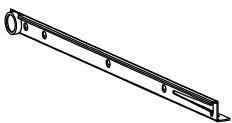
x 1

H1



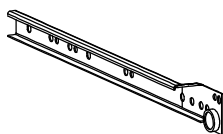
x 1

H2



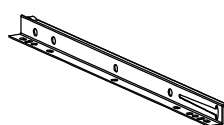
x 1

H3



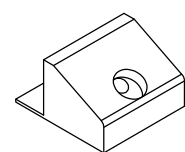
x 1

H4



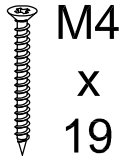
x 1

I



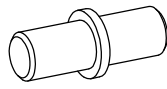
x 16

J



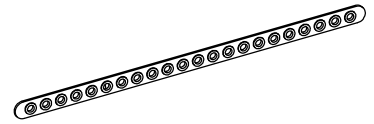
x 16

K



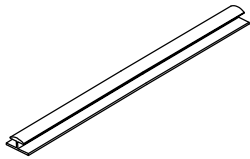
x 8

L



x 1

M



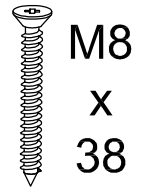
x 1

N



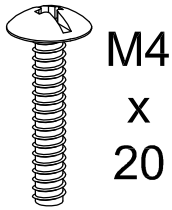
x 1

O



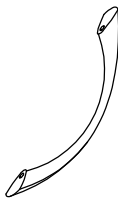
x 1

P



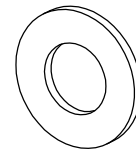
x 2

Q



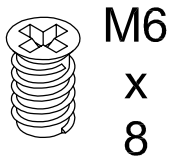
x 1

R



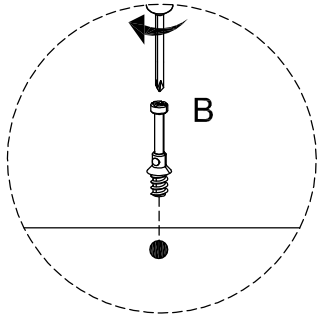
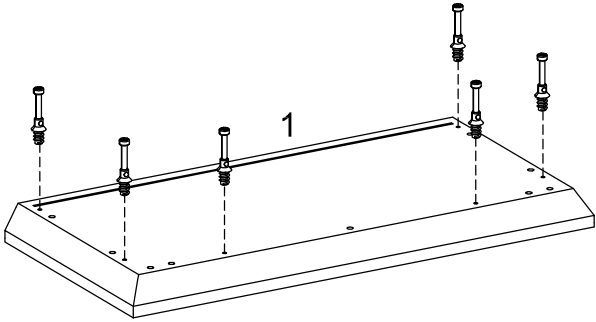
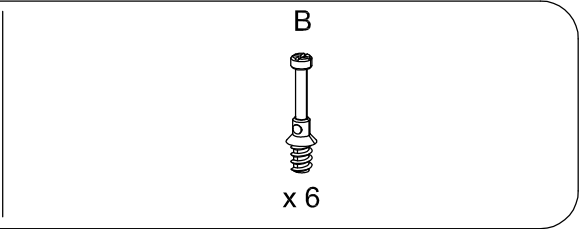
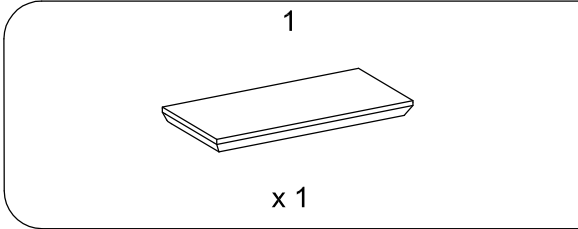
x 2

S

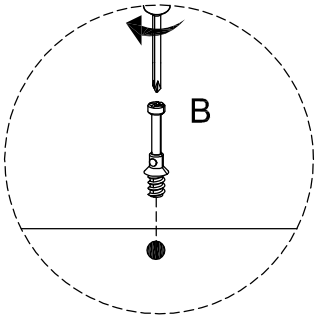
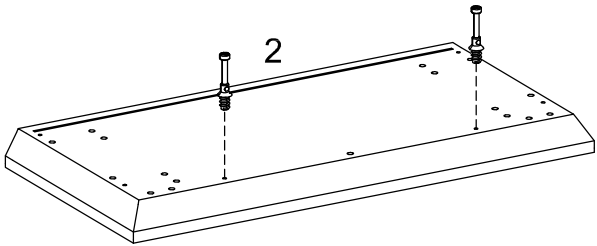
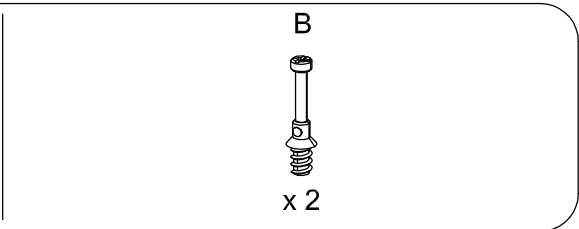
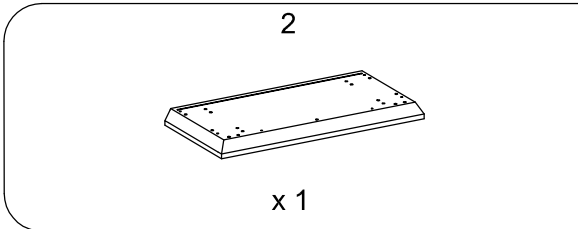


x 4

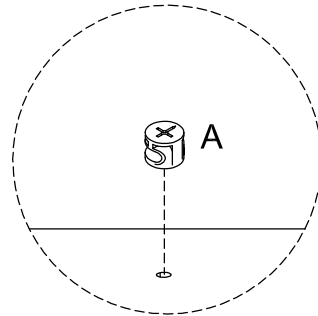
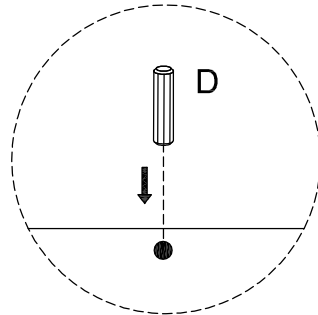
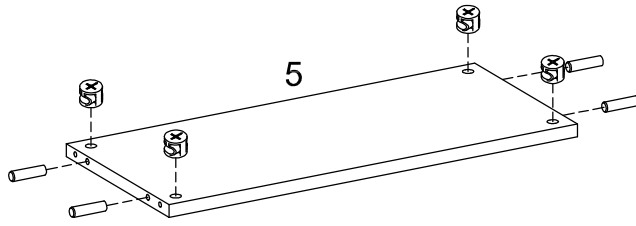
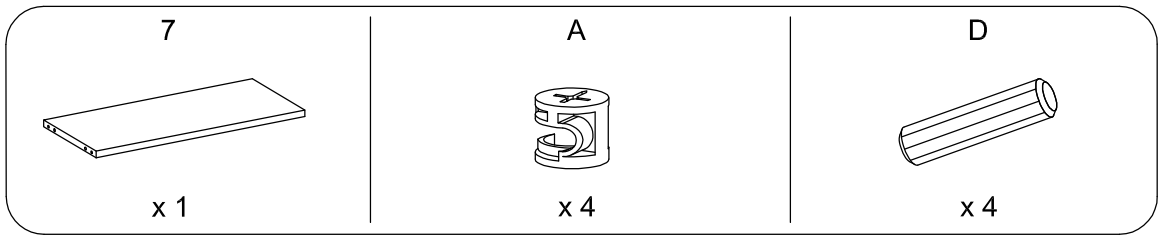
1



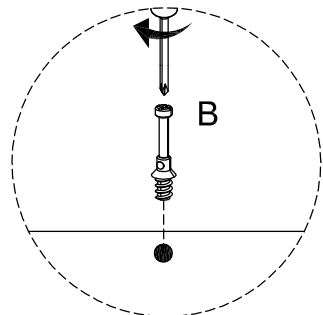
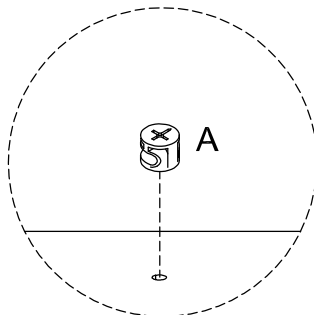
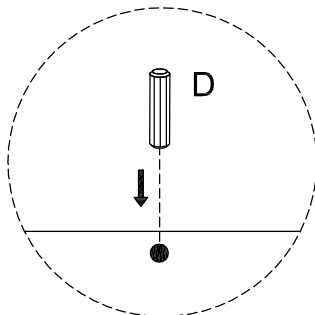
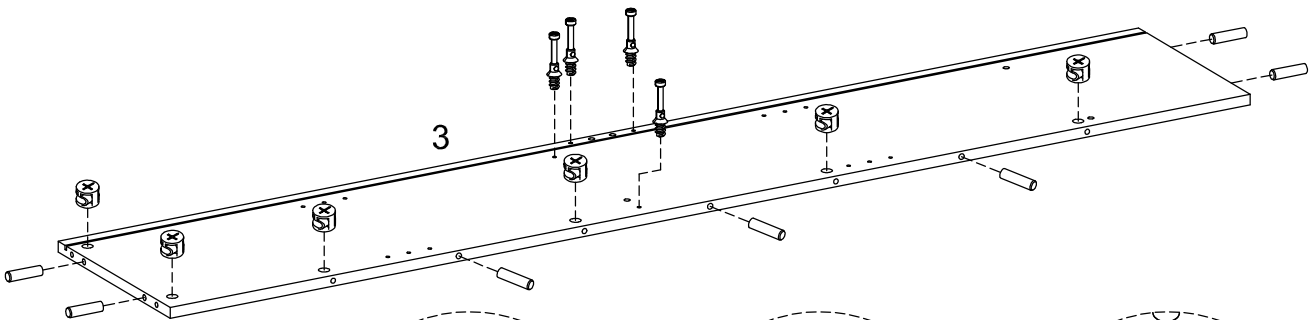
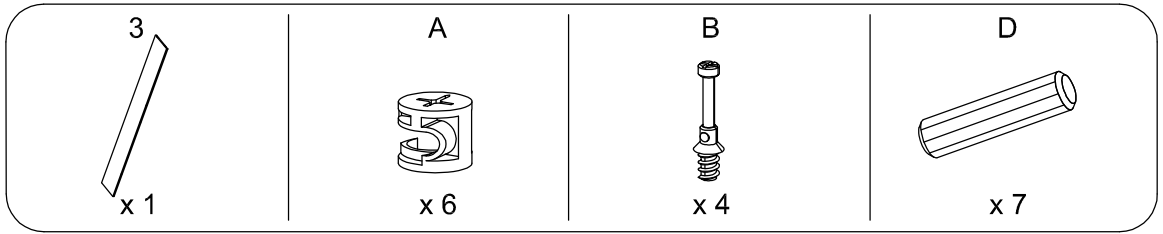
2



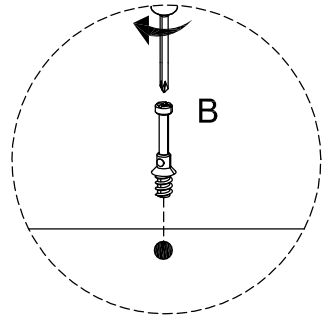
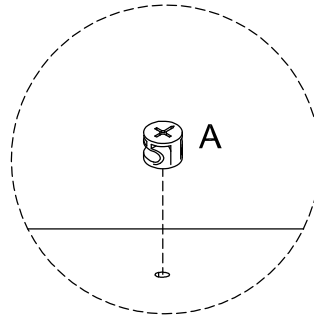
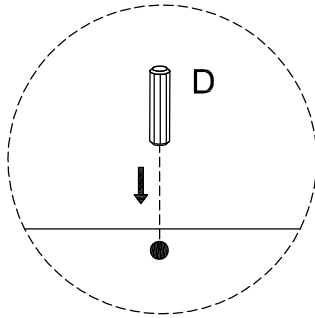
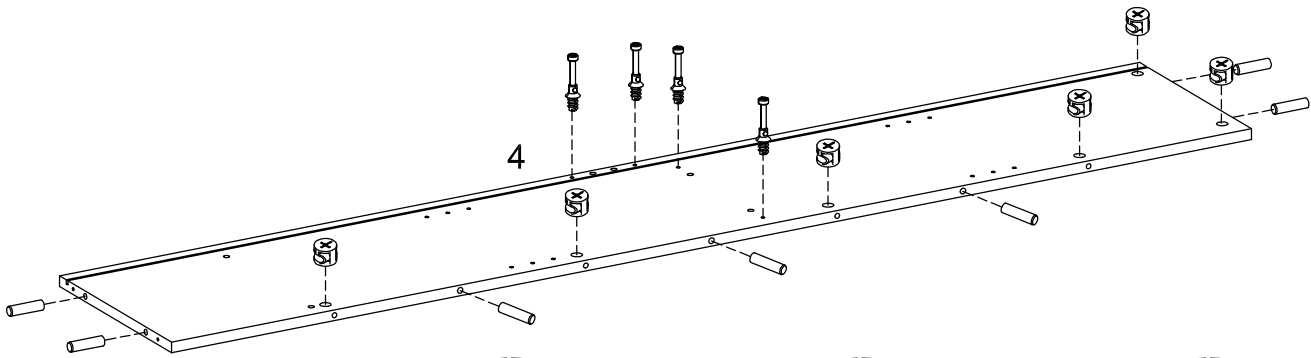
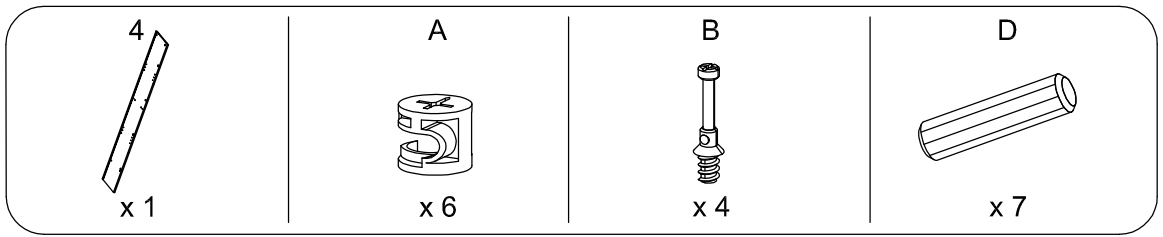
3



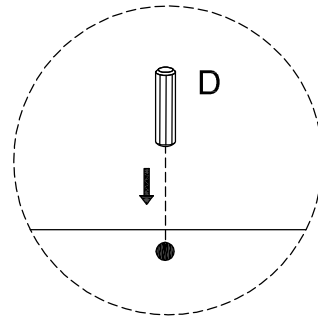
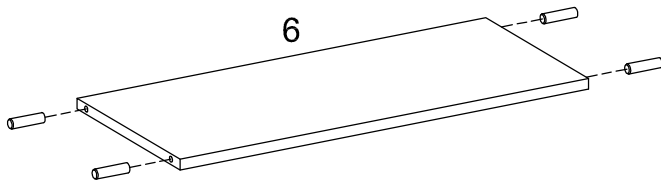
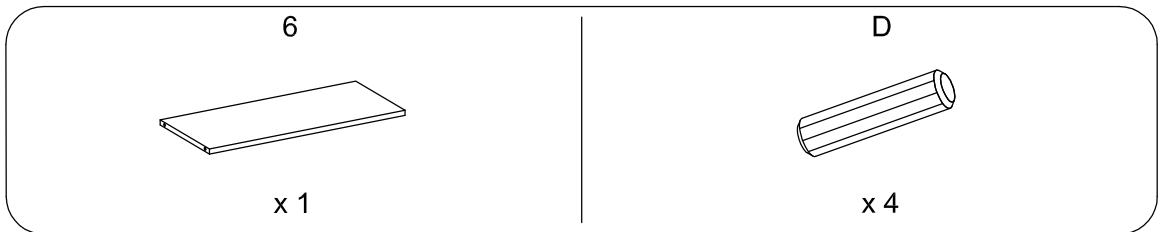
4



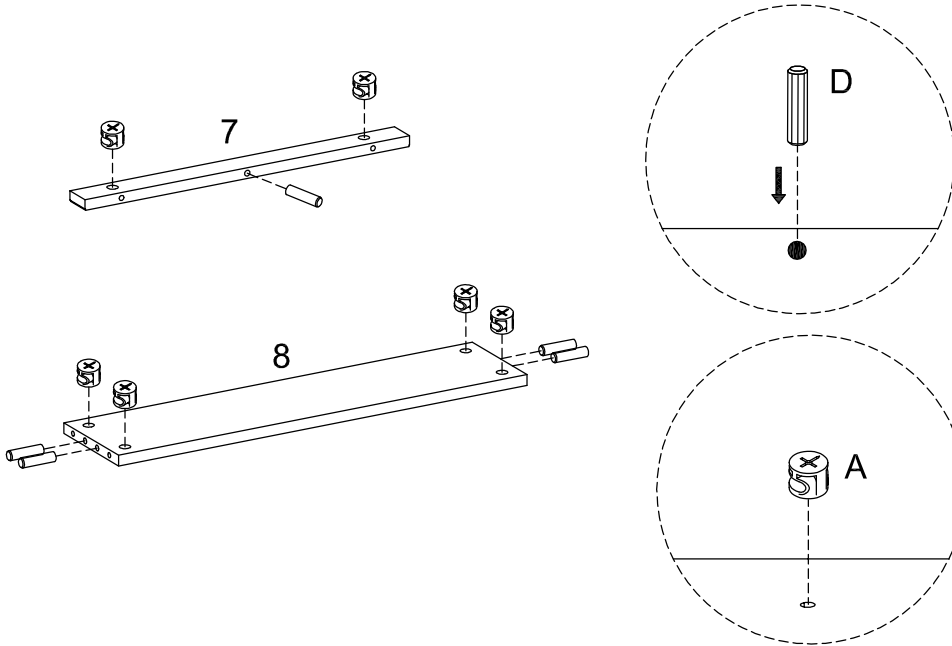
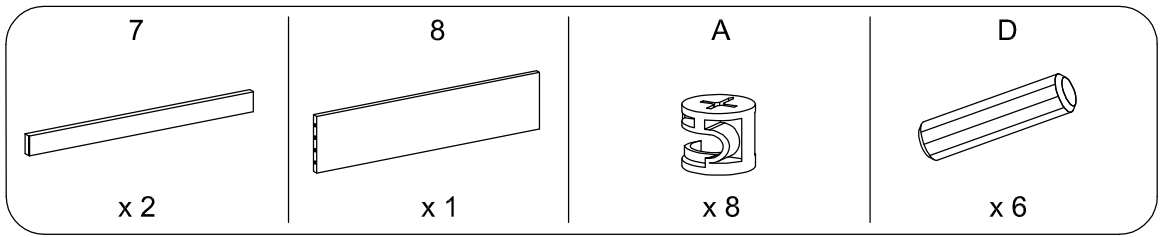
5



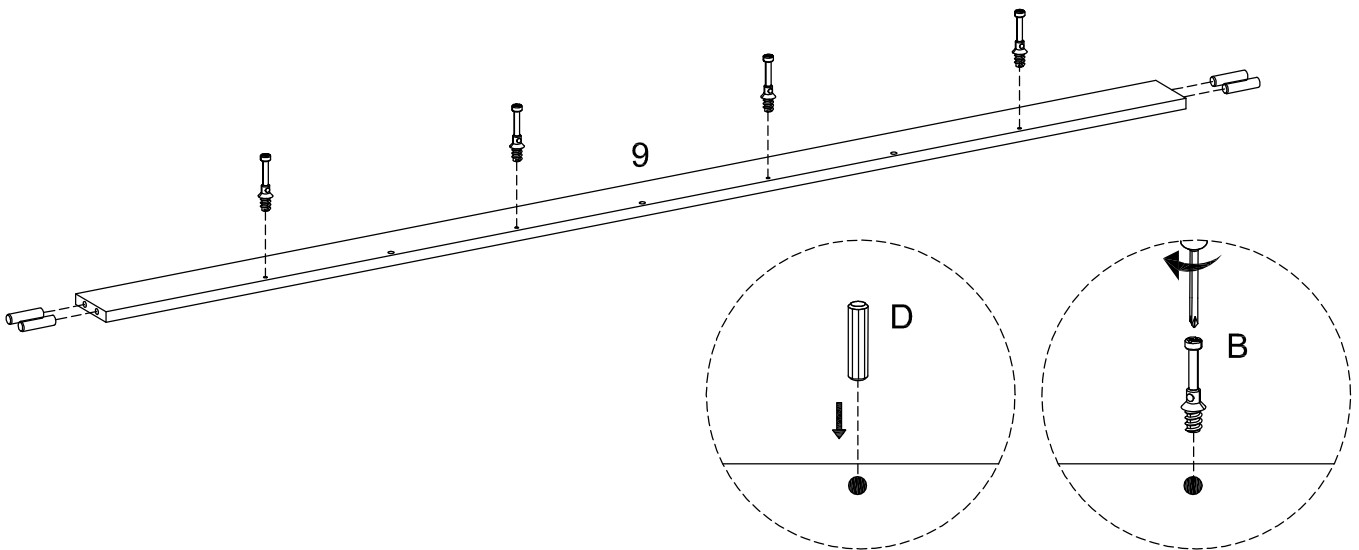
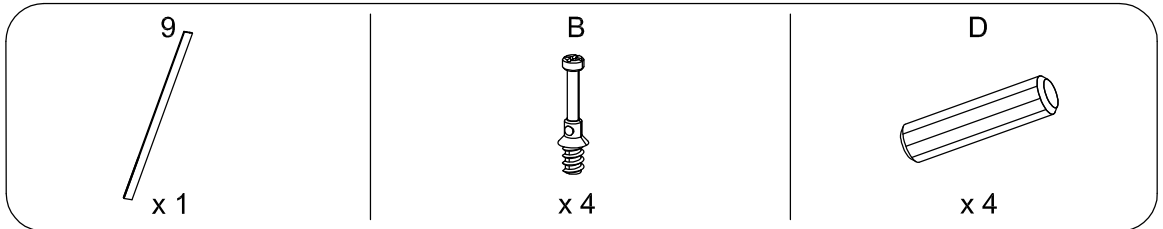
6



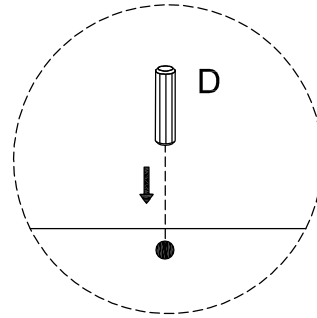
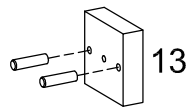
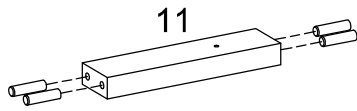
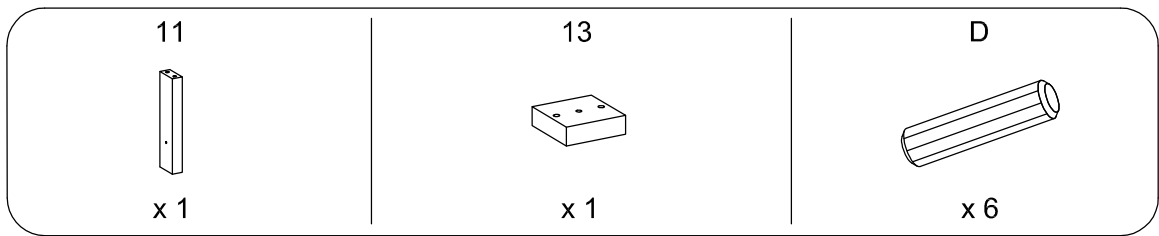
7



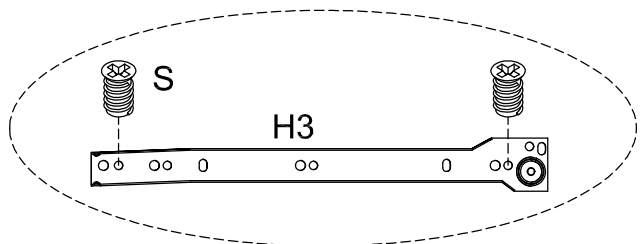
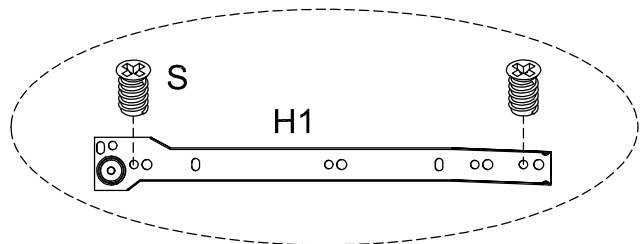
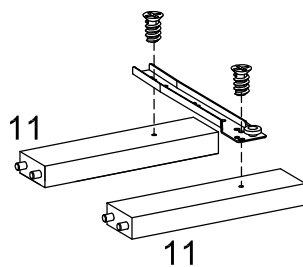
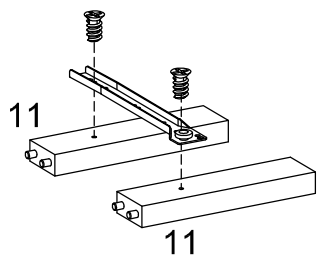
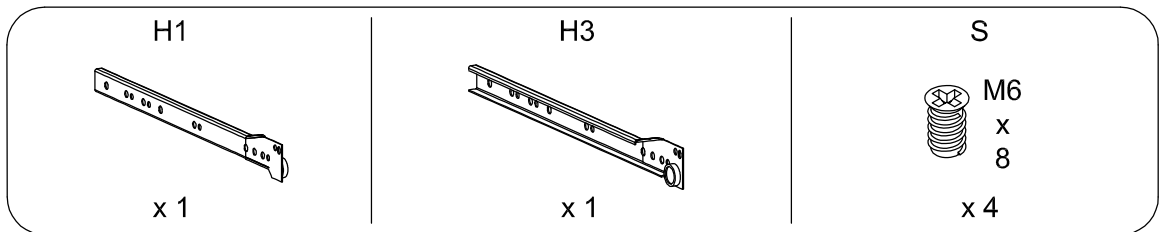
8 x 2



9 x 4

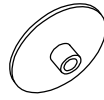


10

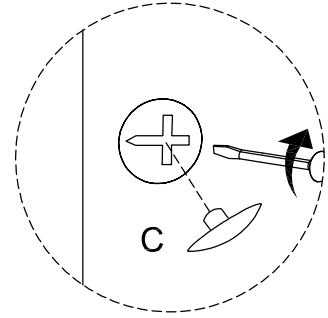
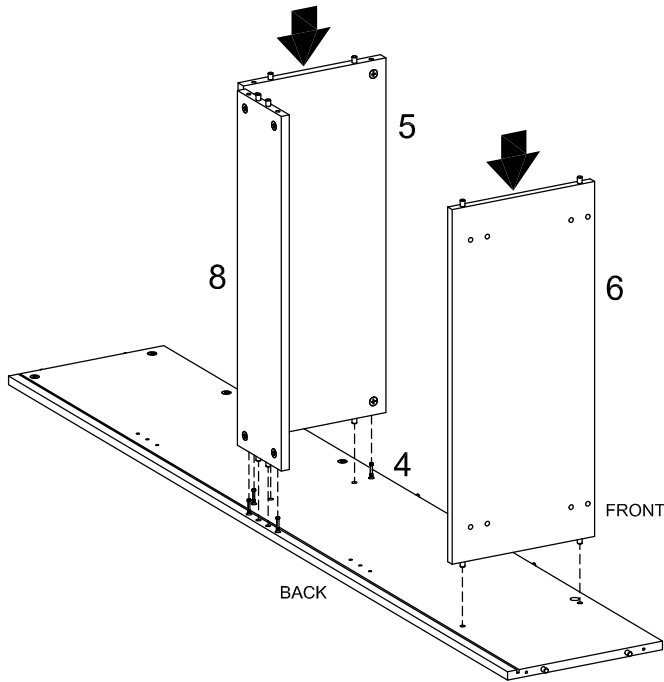


11

C



x 4

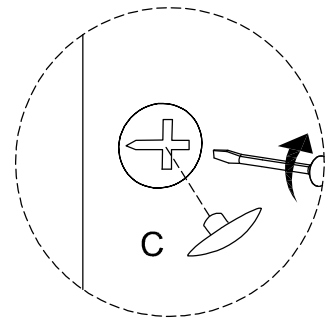
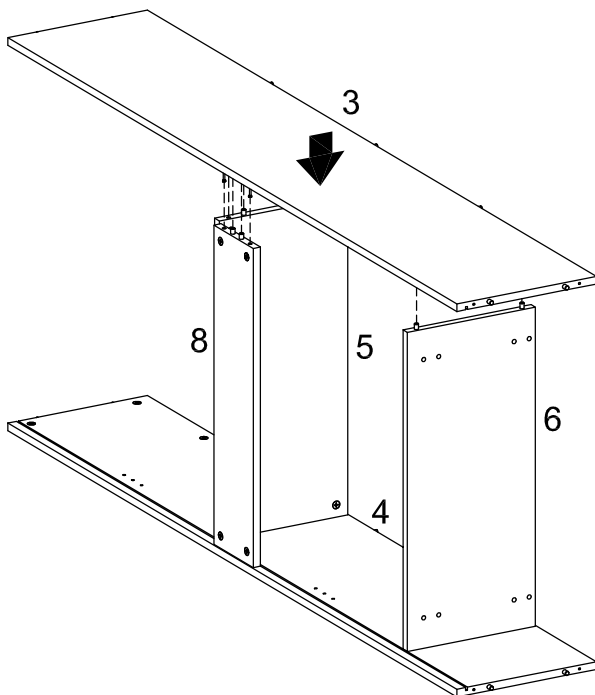


12

C

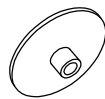


x 4

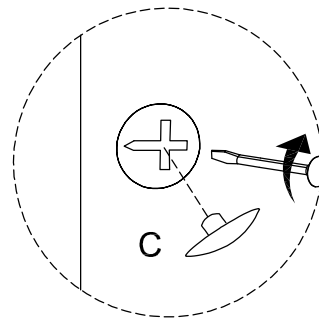
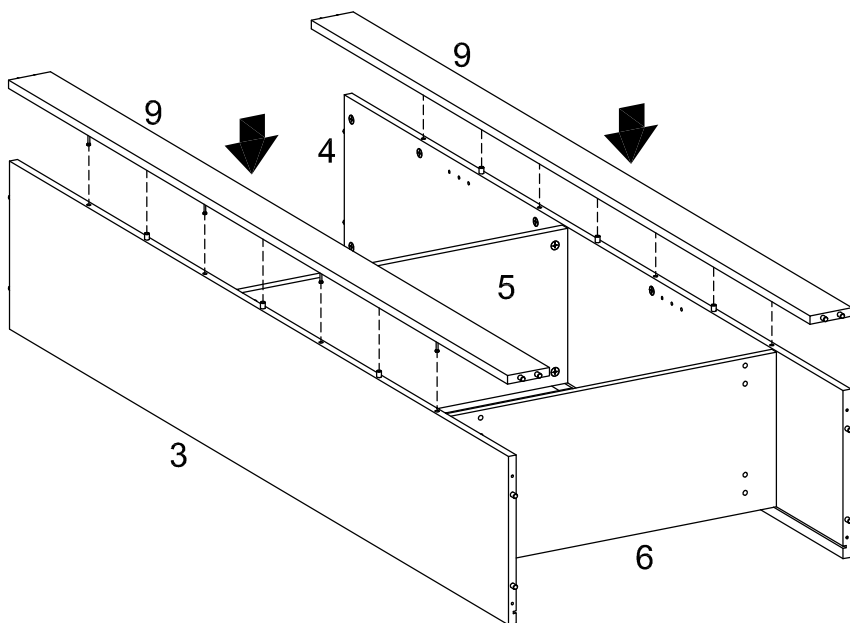


13

C



x 8

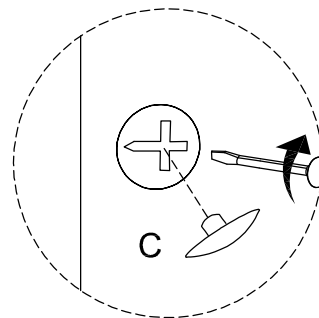
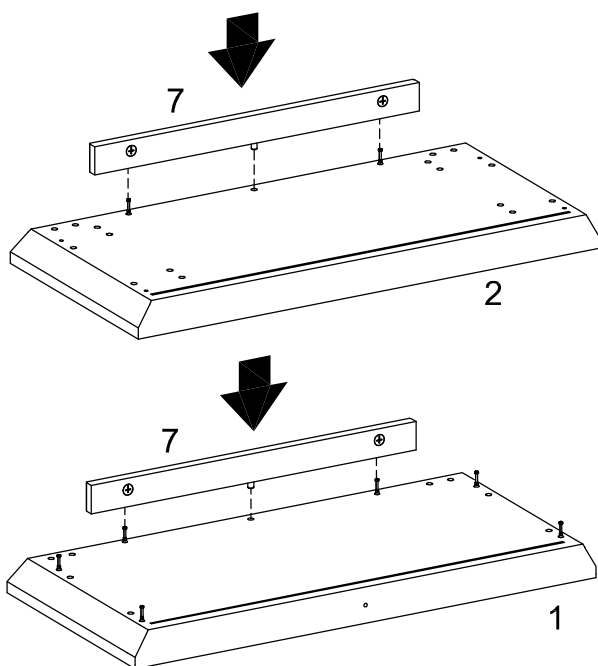


14

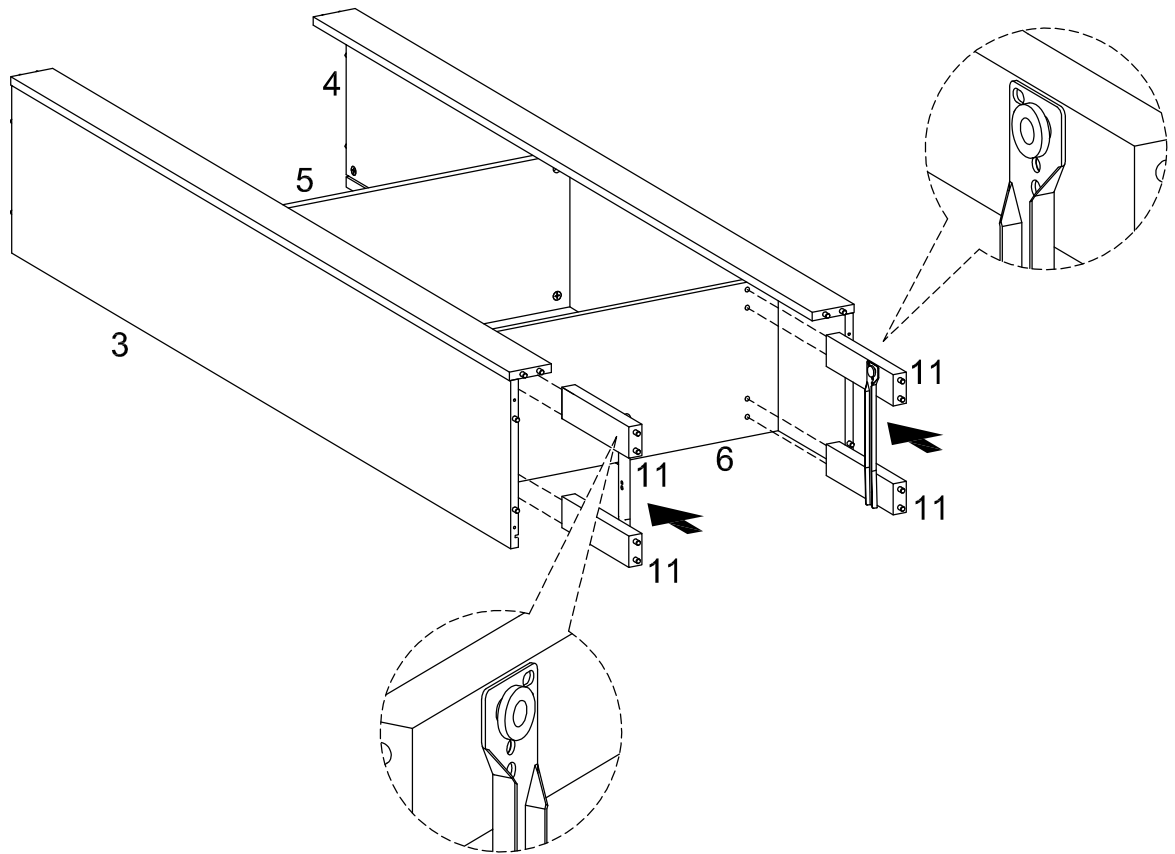
C



x 4

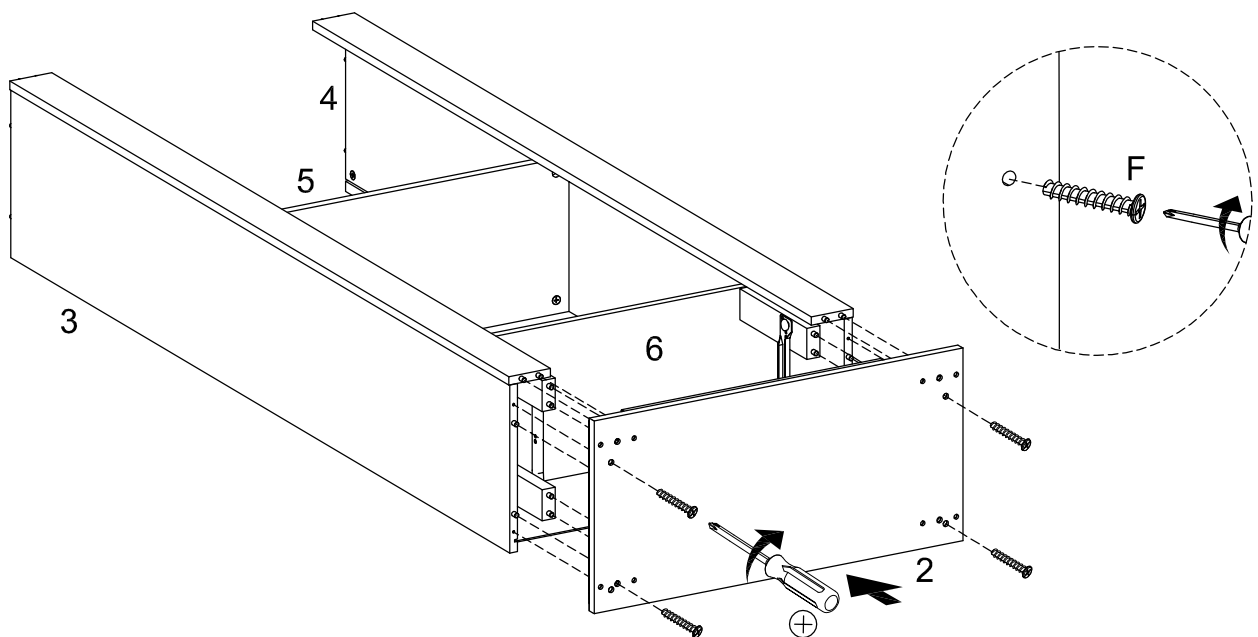


15



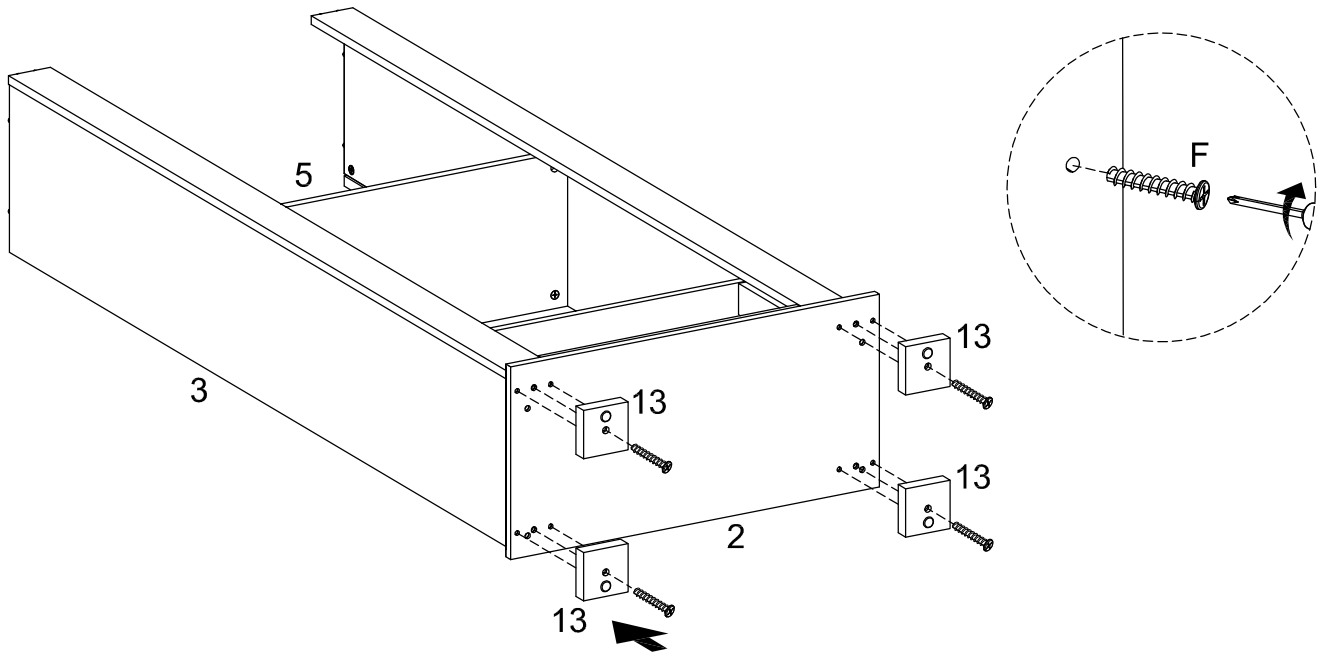
16

F
M10
x
33.5
x 4



17

F
M10
x
33.5
x 4



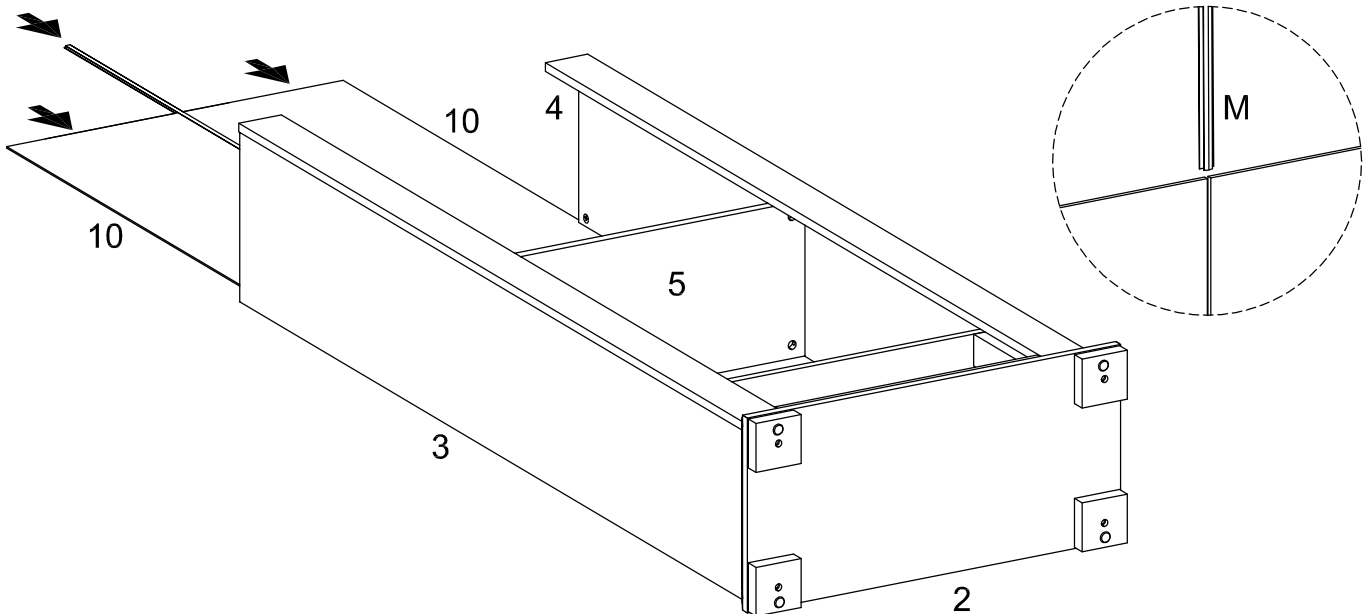
18

10

x 2

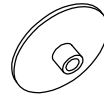
M

x 1

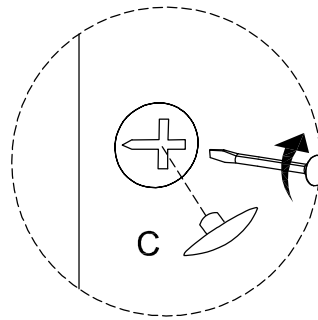
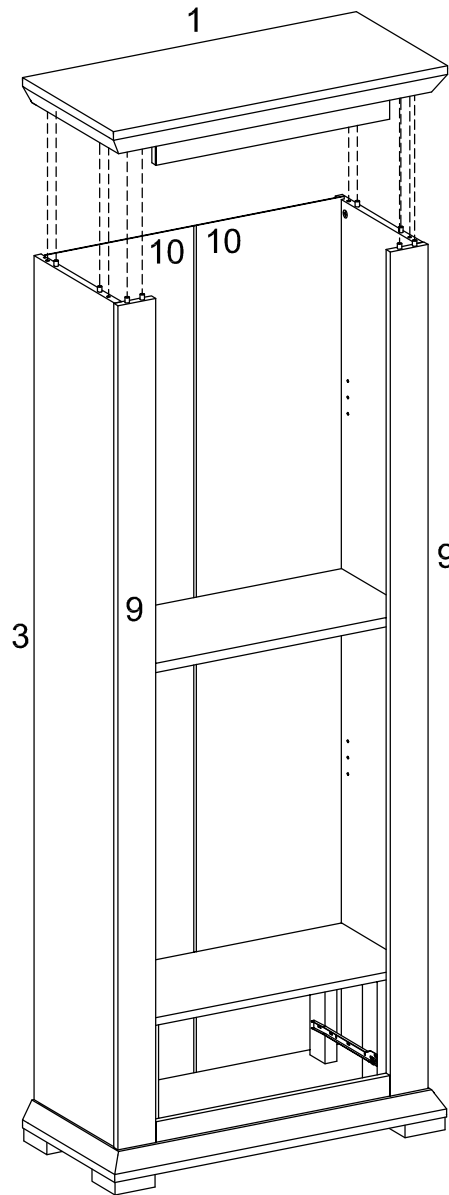


19

C



x 4



20

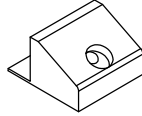
G



M3
x
12

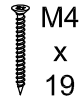
x 1

I



x 16

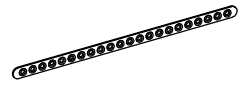
J



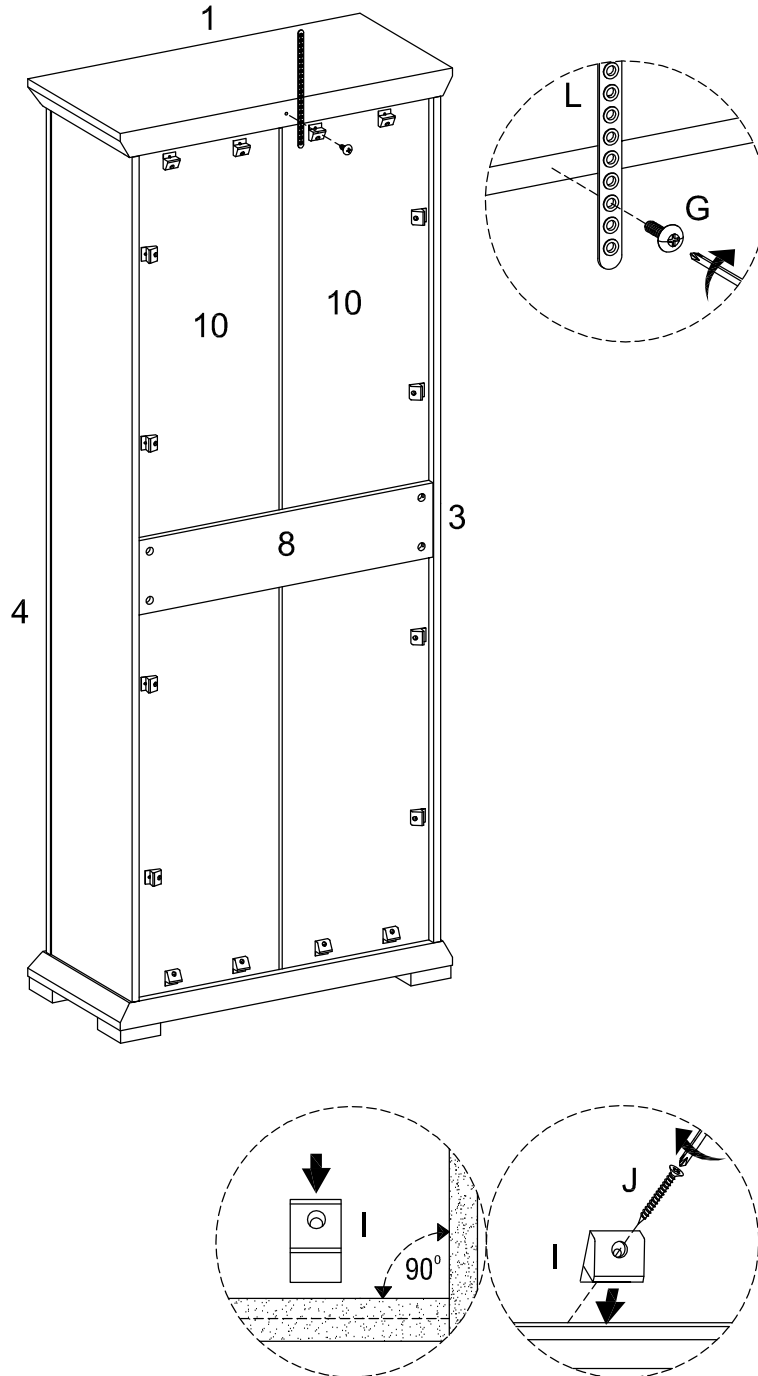
M4
x
19

x 16

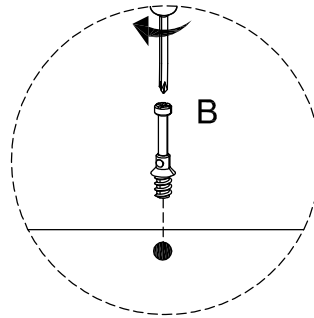
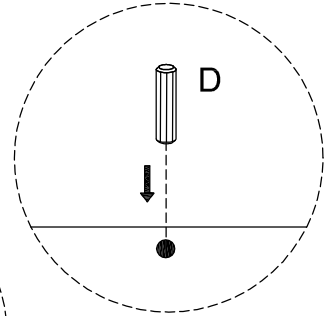
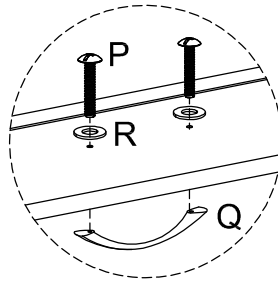
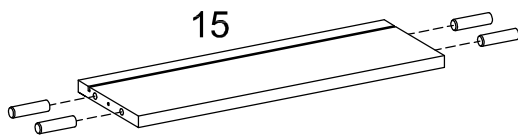
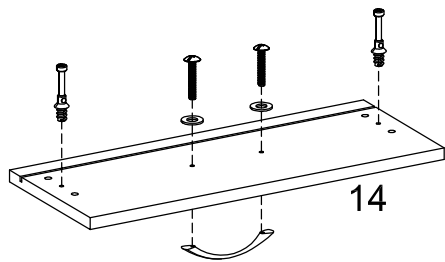
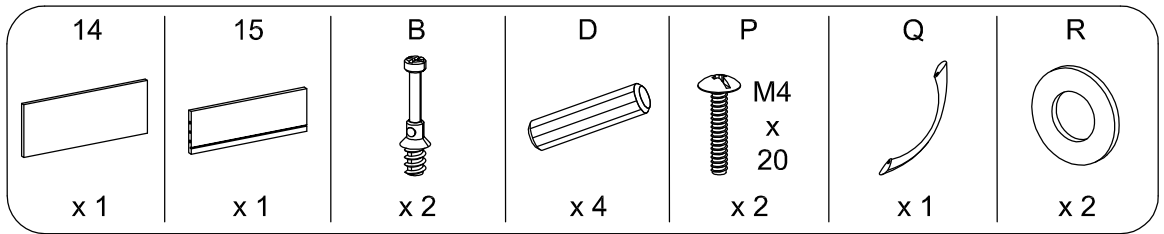
L



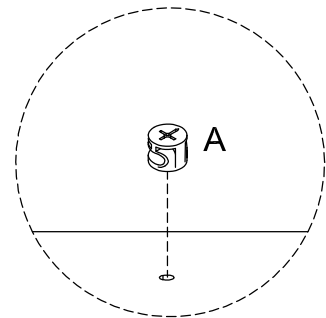
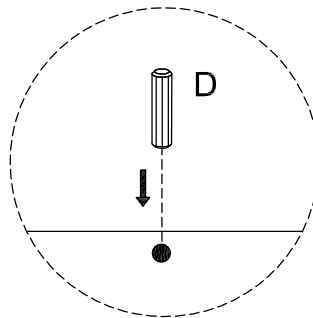
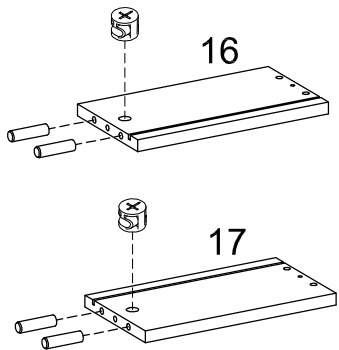
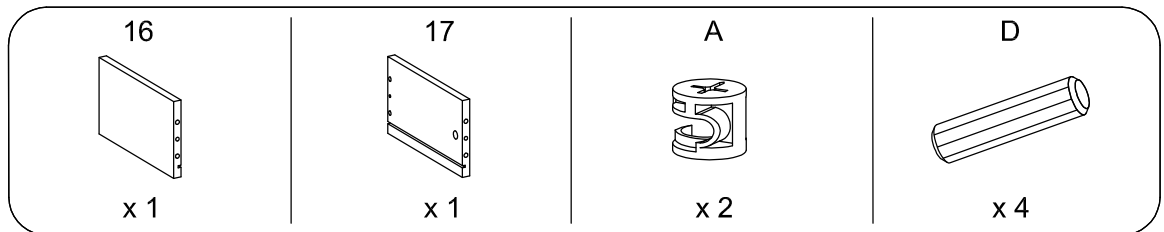
x 1



21

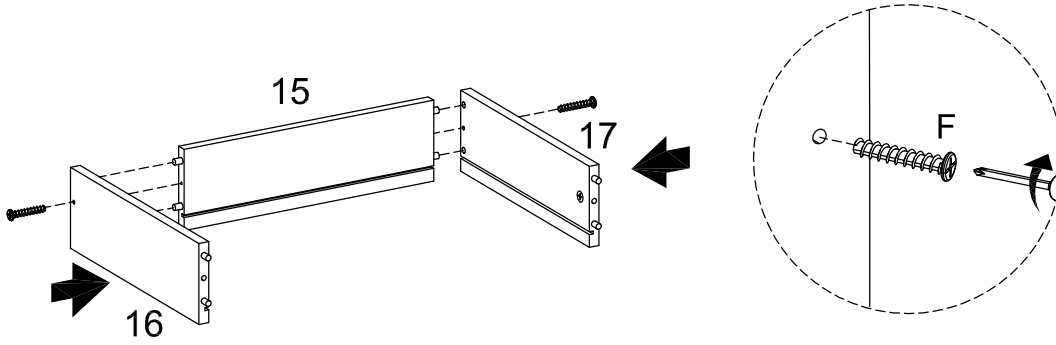


22



23

F
M10
x
33.5
x 2

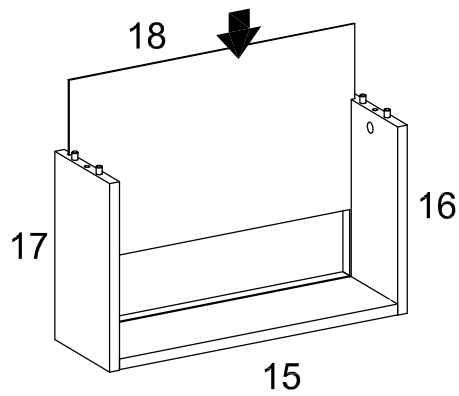


24

18

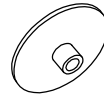


x 1

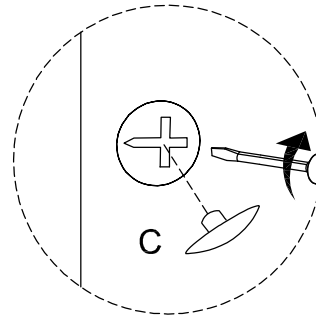
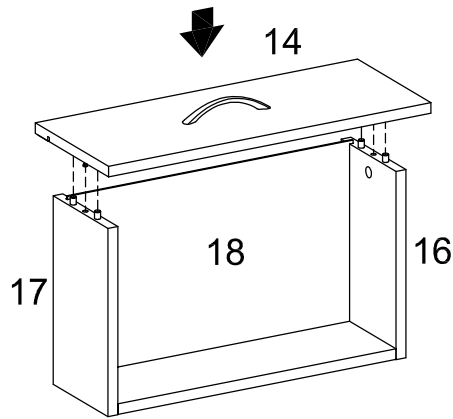


25

C



x 2



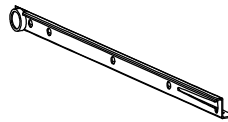
26

E



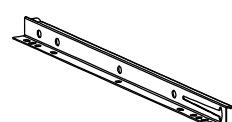
x 4

H2

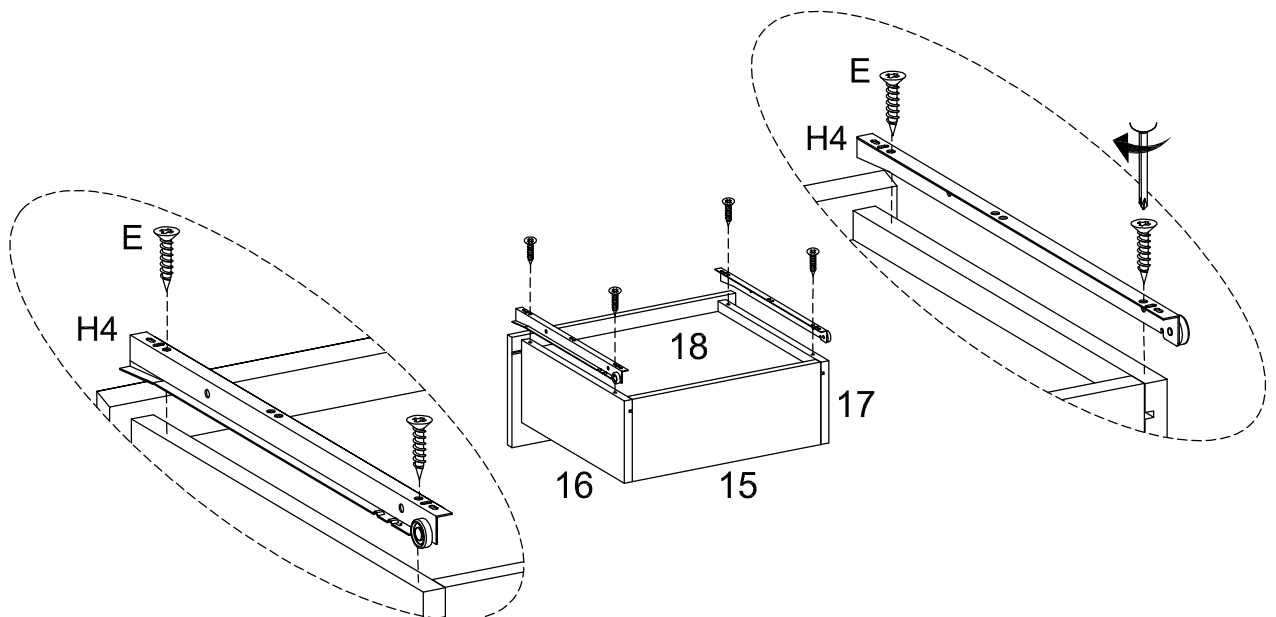


x 1

H4

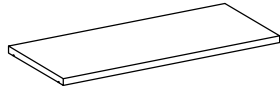


x 1



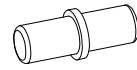
27

12

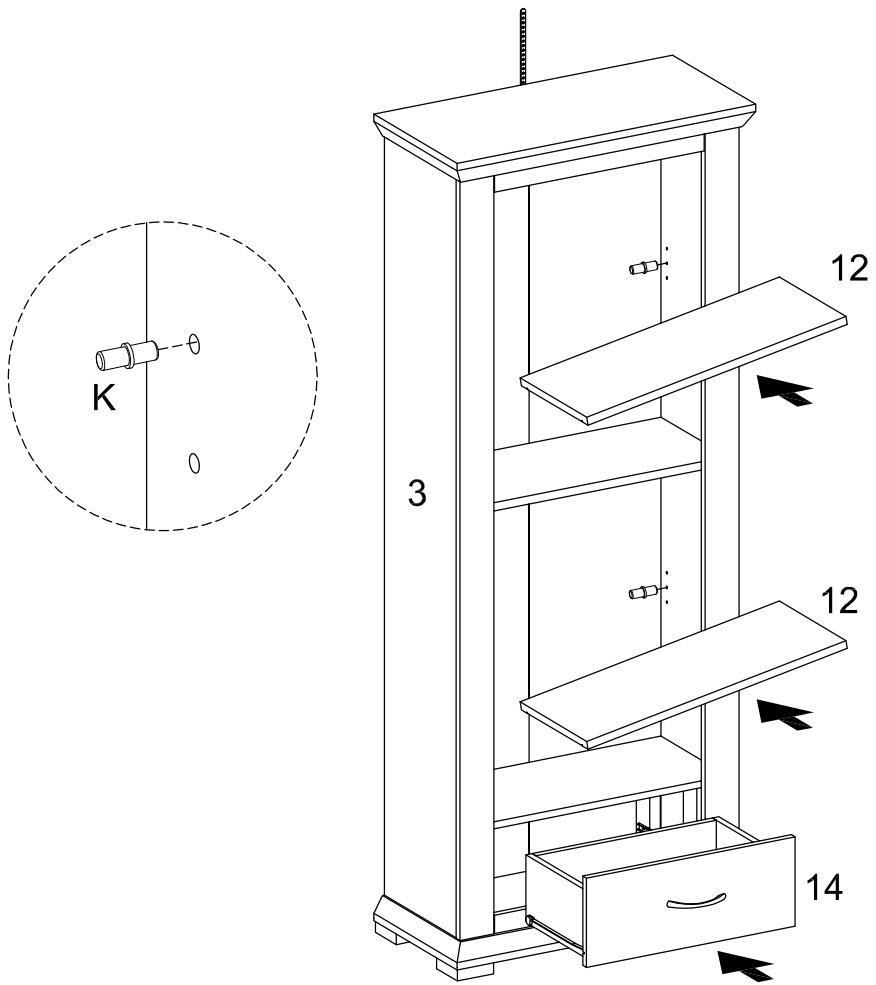


x 2

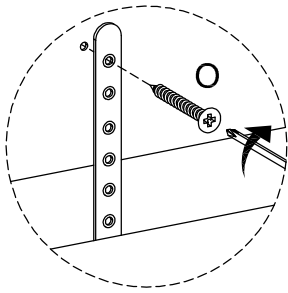
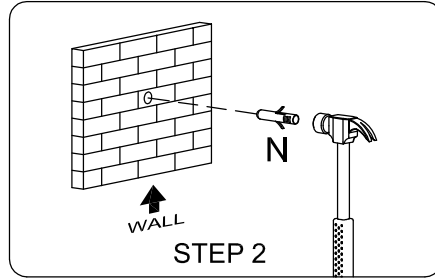
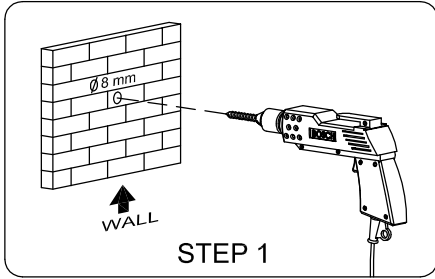
K



x 8



28



WALL
↓

