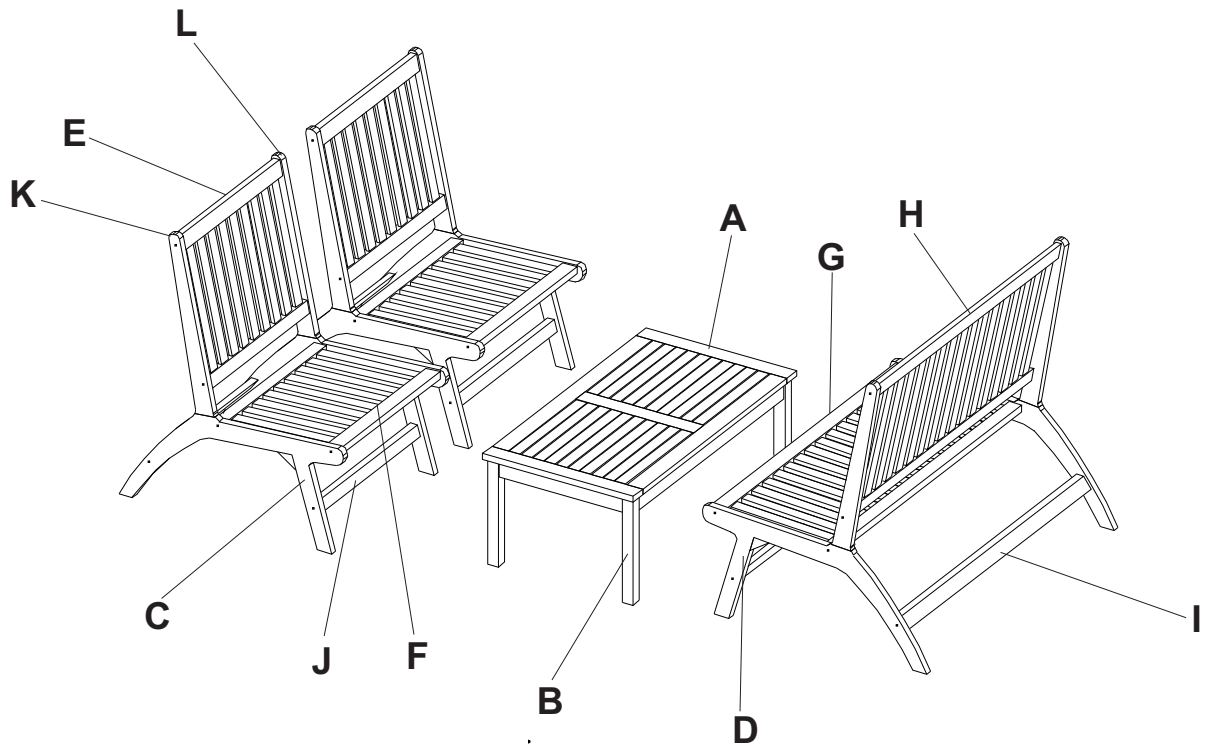
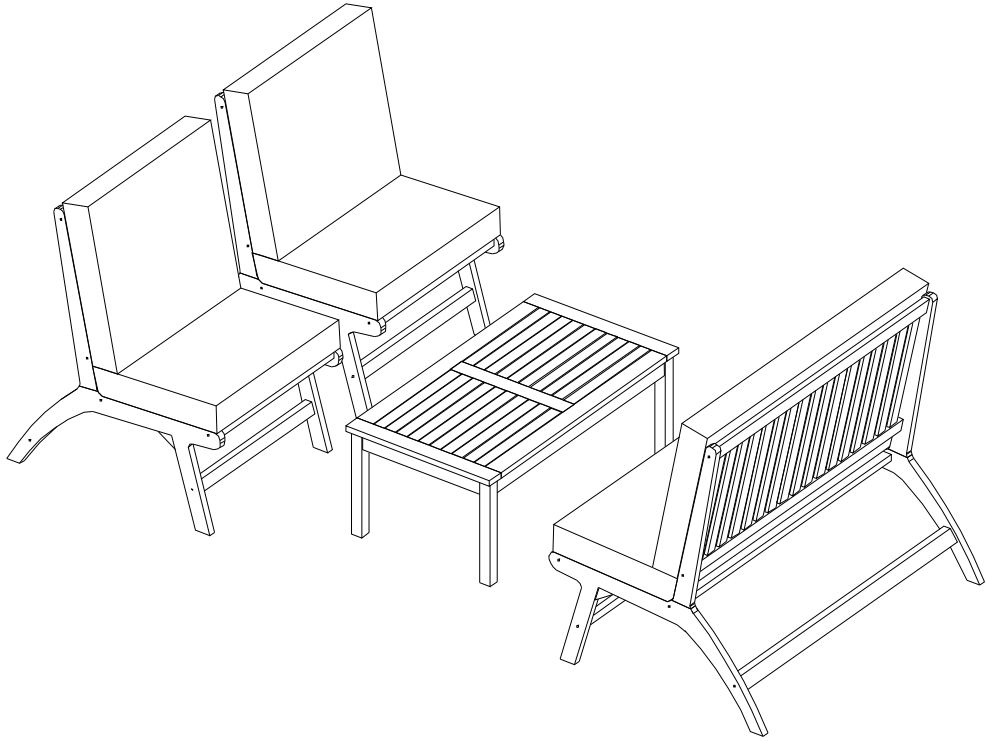


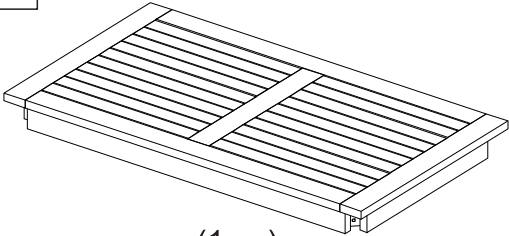

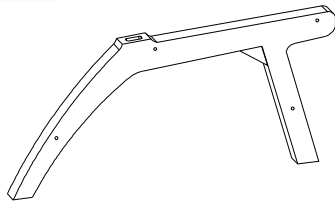
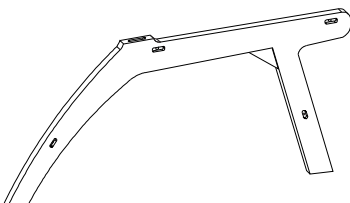
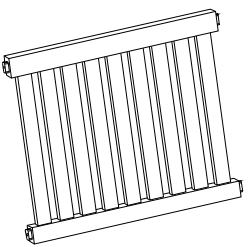
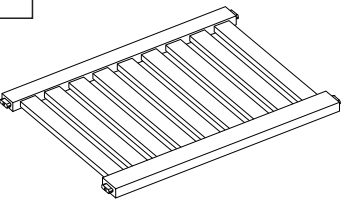
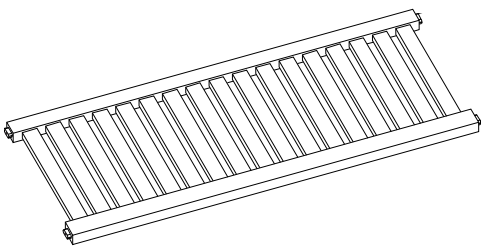
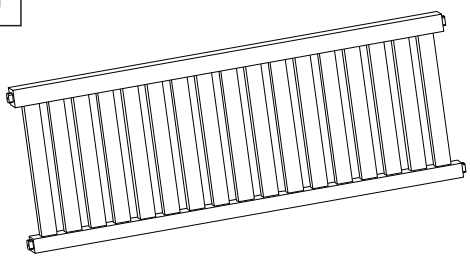
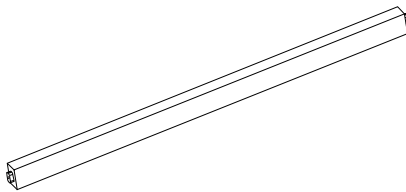
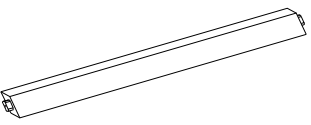

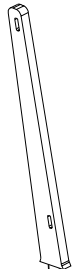
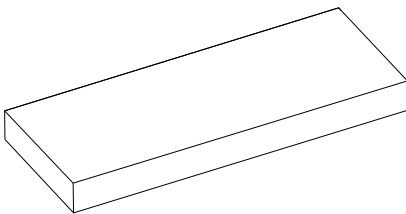
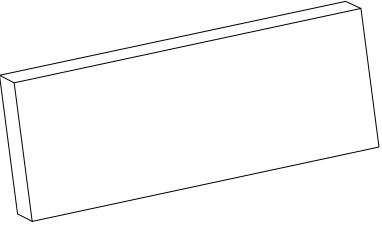
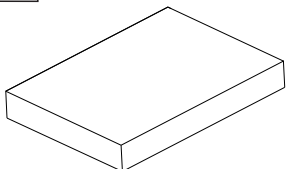
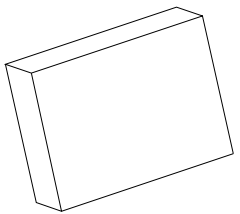
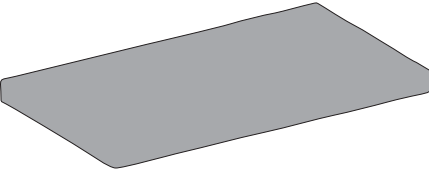
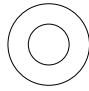
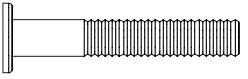
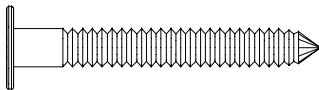
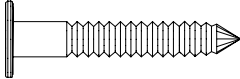

DESCRIPTION

WF303253

WF303254

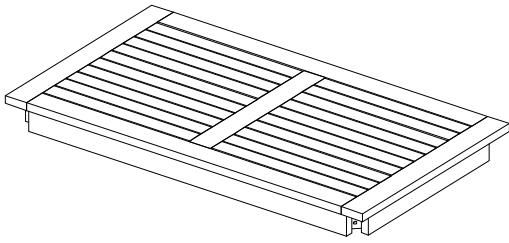


Part List & Hardware

<p>A</p>  <p>(1 pc)</p>	<p>B</p>  <p>(4 pcs)</p>	<p>C</p>  <p>(3 pcs)</p>	<p>D</p>  <p>(3 pcs)</p>
<p>E</p>  <p>(2 pcs)</p>	<p>F</p>  <p>(2 pcs)</p>	<p>G</p>  <p>(1 pc)</p>	
<p>H</p>  <p>(1 pc)</p>	<p>I</p>  <p>(2 pcs)</p>	<p>J</p>  <p>(4 pcs)</p>	
<p>K</p>  <p>(3 pcs)</p>	<p>L</p>  <p>(3 pcs)</p>	<p>M</p>  <p>Seat Cushion 1 (1 pc)</p>	<p>N</p>  <p>Back Cushion 1 (1 pc)</p>
<p>O</p>  <p>Seat Cushion 2 (2 pcs)</p>	<p>P</p>  <p>Back Cushion 2 (2 pcs)</p>	<p>Q</p>  <p>(1 pc)</p>	<p>1</p>  <p>Ø6 x 20 (8 pcs)</p>
<p>2</p>  <p>M6 x 50 (8 pcs)</p>	<p>3</p>  <p>M6 x 80 (6 pcs)</p>	<p>4</p>  <p>M6 x 50 (36 pcs)</p>	<p>5</p>  <p>(4 pcs) 02 / 5</p>

CARTON CONTENT:

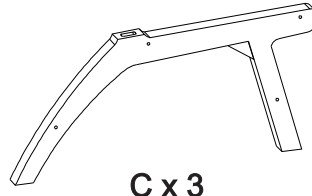
WF303253:



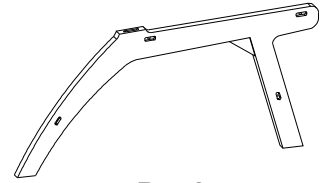
A x 1



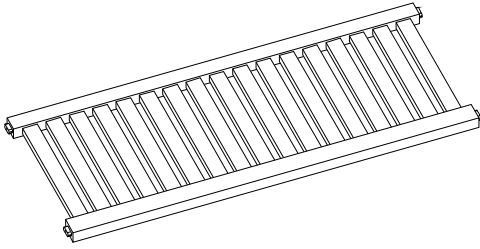
B x 4



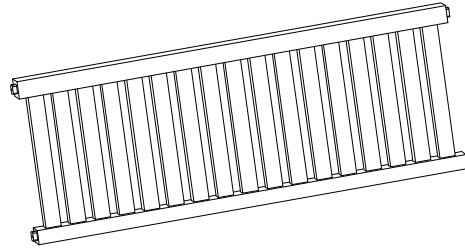
C x 3



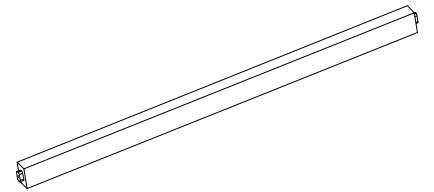
D x 3



G x 1



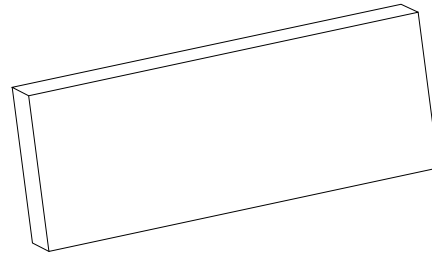
H x 1



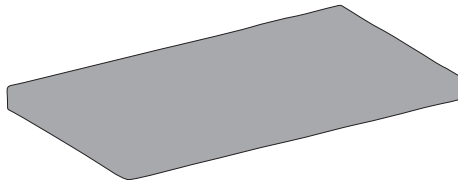
I x 2



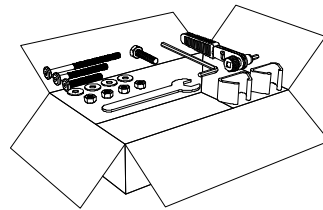
M x 1



N x 1

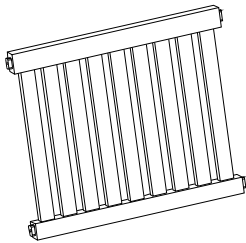


Q x 1

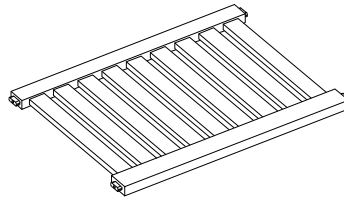


Hardware

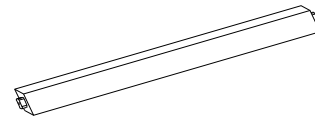
WF303254:



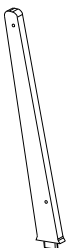
E x 2



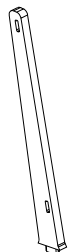
F x 2



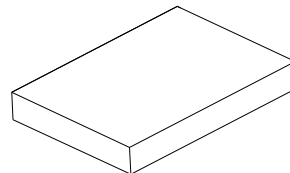
J x 4



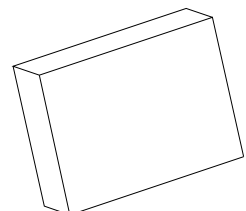
K x 3



L x 3

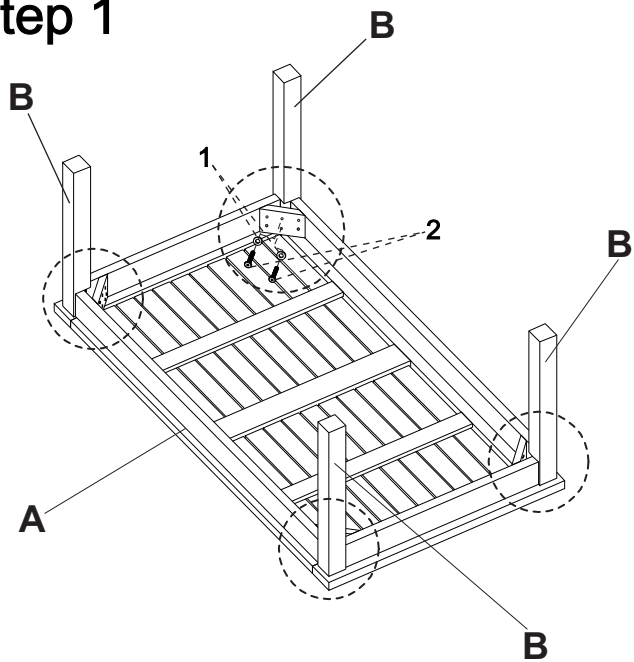


O x 2



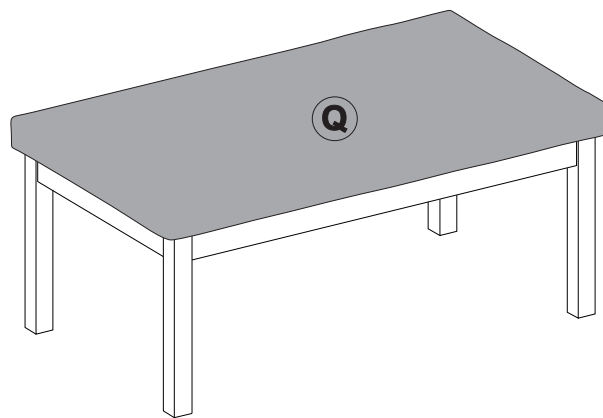
P x 2

Step 1



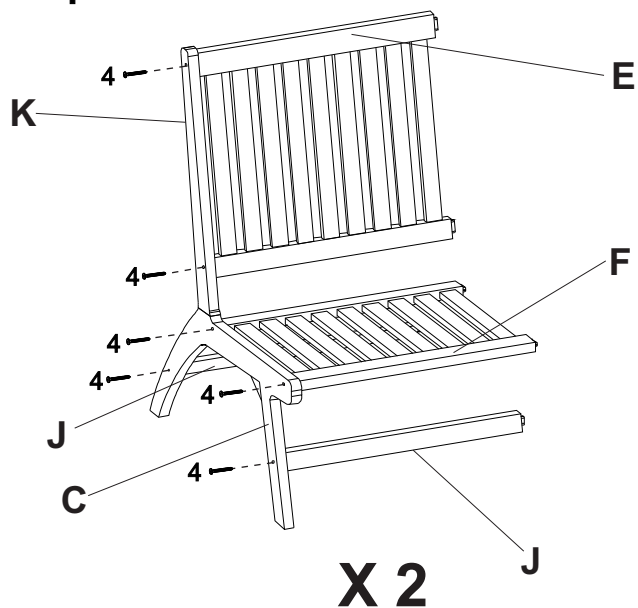
① *8 ② *8 A *1 B *4

Step 2



Q *1

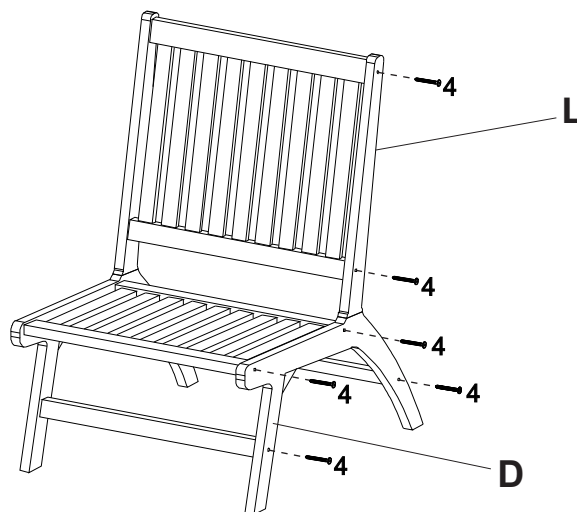
Step 3



X 2

④ *6 C *1 E *1 F *1 K *1 J *2

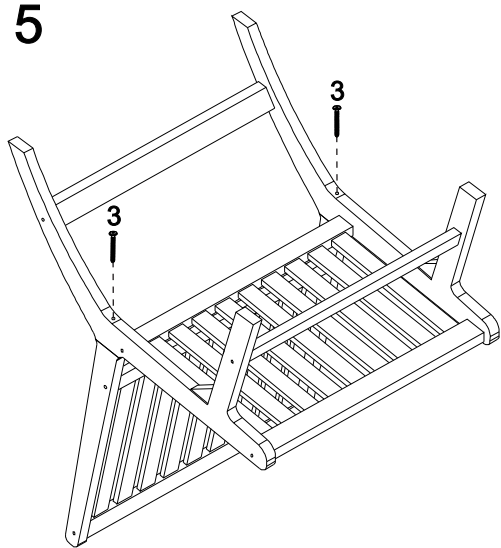
Step 4



X 2

④ *6 D *1 L *1

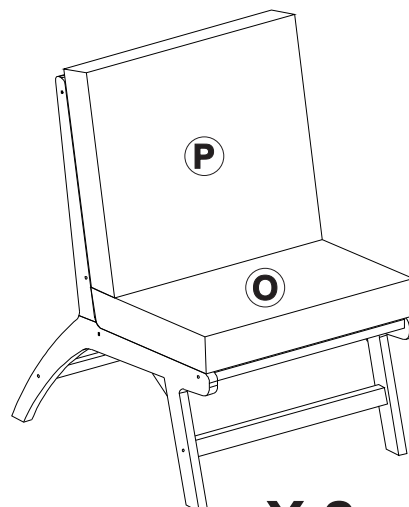
Step 5



X 2

③ *2

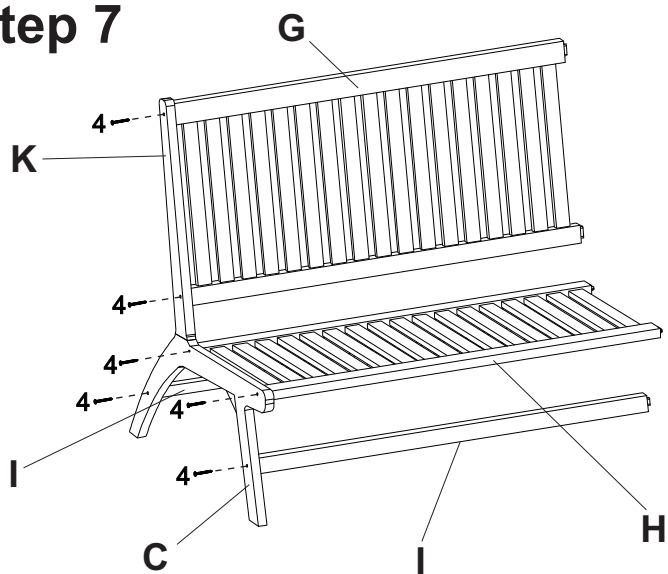
Step 6



X 2

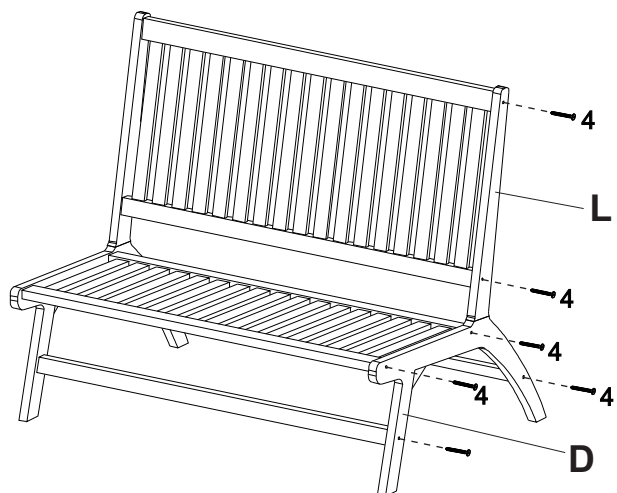
O *1 P *1

Step 7



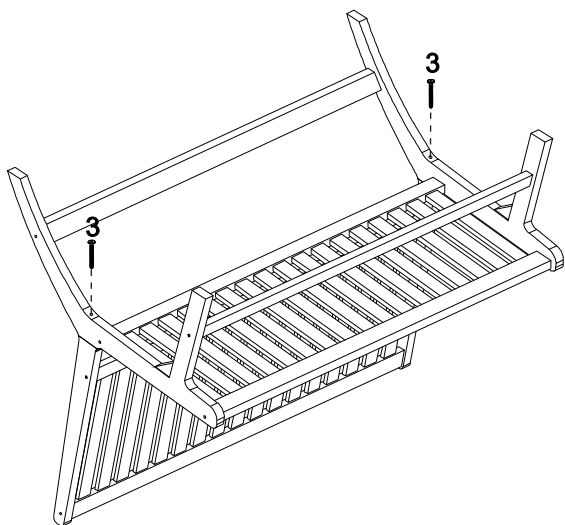
- ④*6
- C*1
- G*1
- H*1
- I*2
- K*1

Step 8



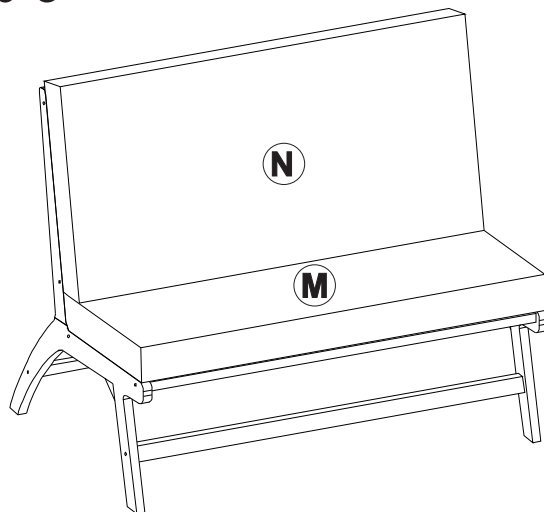
- ④*6
- D*1
- L*1

Step 8

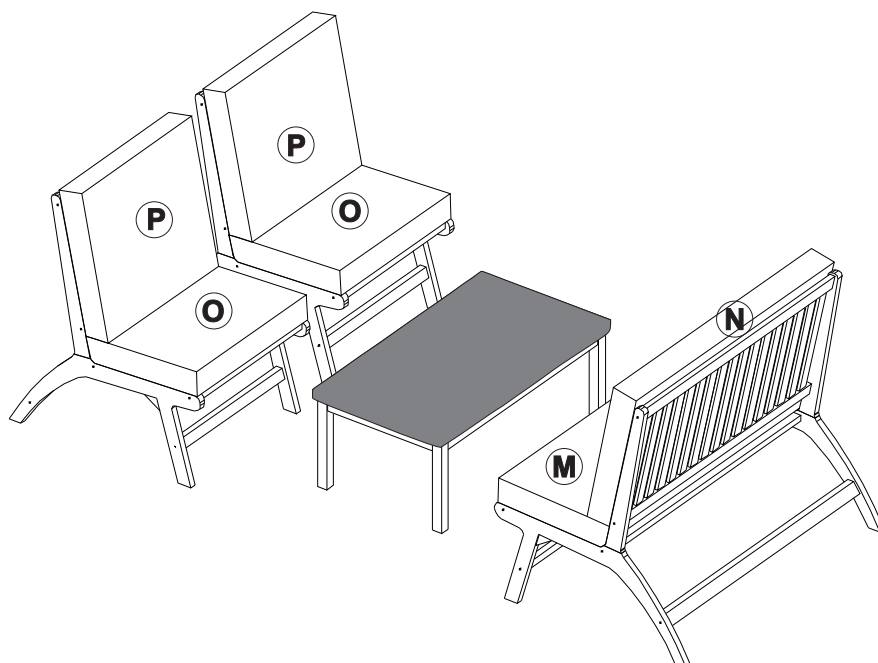


- ③*2

Step 9



- M*1
- N*1



FINISH