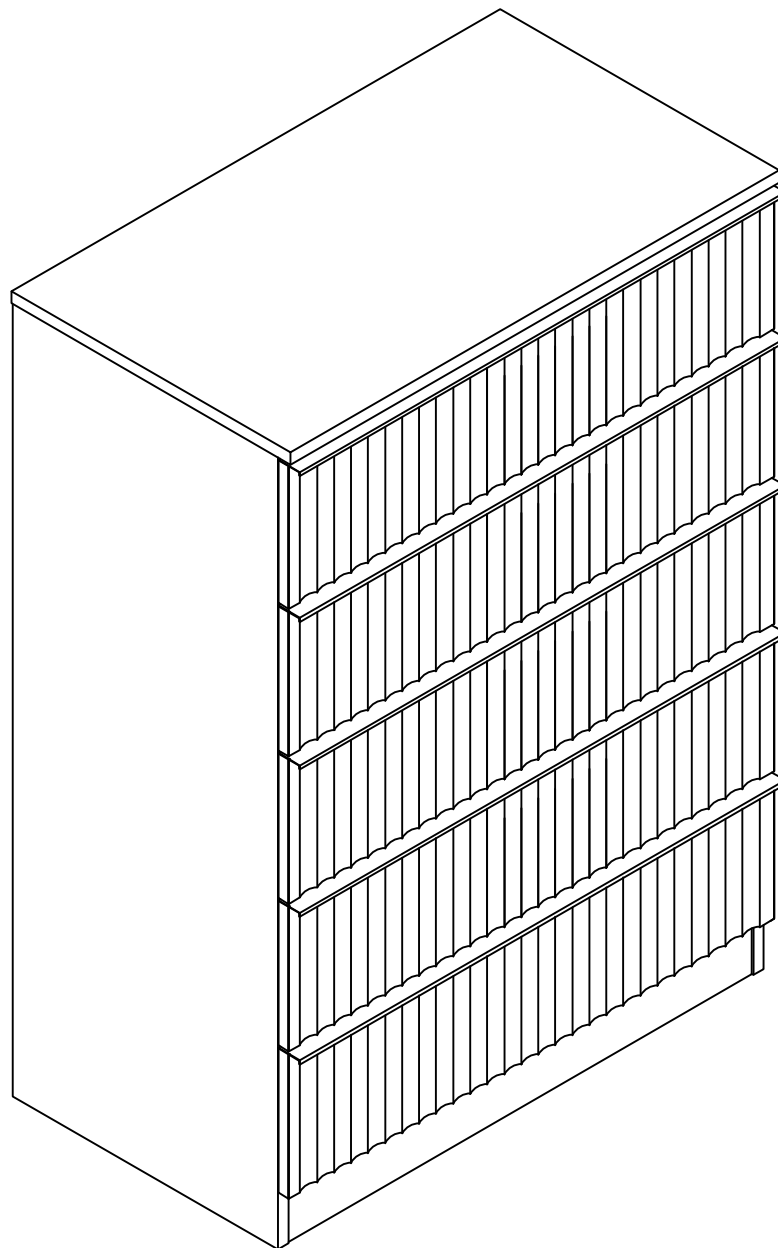


5 DRAWER CHEST

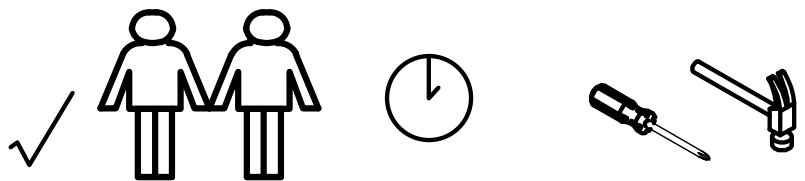
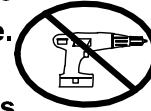
ASSEMBLY INSTRUCTION - Please Keep For Future Reference



Safety and Care Advice

IMPORTANT - Please Read This Instruction Carefully Before Assembly.

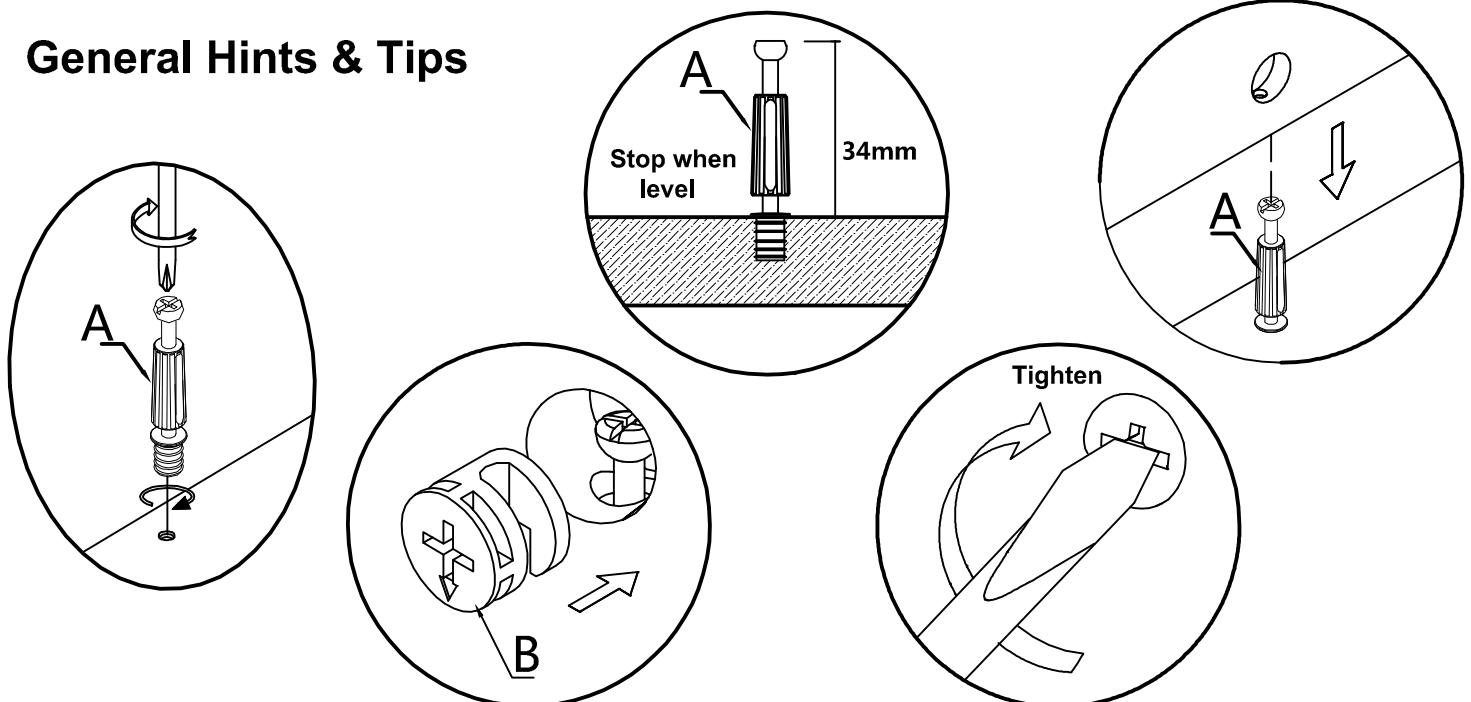
- Check you have all the components and tools listed on page 3.
- Remove all settings from the plastic bags and separate them into their groups.
- Keep children and animals away from the work area, small parts could choke if swallowed.
- Make sure you have enough space to layout the parts before assembly.
- Do not stand or put weight on the product, this could cause damage.
- Assemble the item as close to it's intended position (in the same room) as possible.
- Assemble on a soft level surface to avoid damaging the unit.
- Parts of the assembly will be easier with 2 people.
- Do not use power drill/drivers for assembly, or the unit may be damaged.
- Dispose of all packaging carefully and responsibly.



CARE and MAINTENANCE

- Only clean using a damp cloth and mild detergent, do not use bleach or abrasive cleaners.
- From time to time check that there are no loose screws on this unit.
- This product should not be discarded with household waste. Take to your local authority waste disposal center.

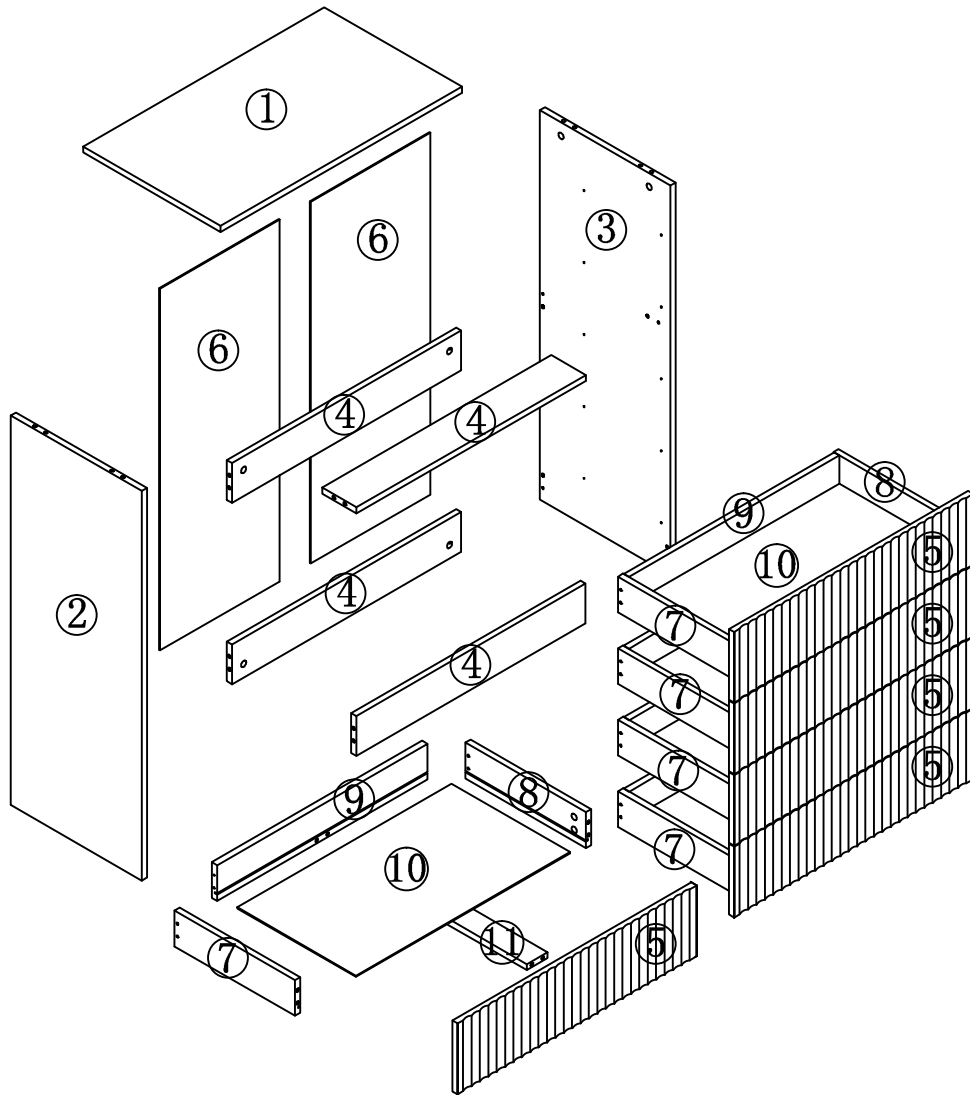
General Hints & Tips

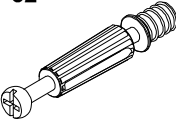
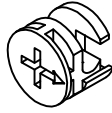
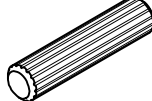
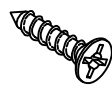
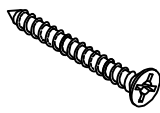




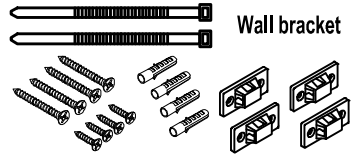
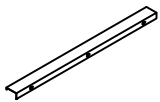


Components and Tools

IMPORTANT - Please Check If You Have All The Components and Tools.

Note: The quantities below are the correct amount to complete the assembly. In some cases more pieces may be supplied than are required.



A=32  Peg M6*34mm	B=32  Lock M15*12mm	C=32  Dowel M8*30mm	D=40  Screw M3.5*14mm	E=20  Screw M4*38	F=4  Plastic Feet
G=14  Pin	H=15  Screw M3.5*12mm	CR CL DR DL=5  Drawer Runner	P=1  Wall bracket	I=5  Handle F256=692mm	

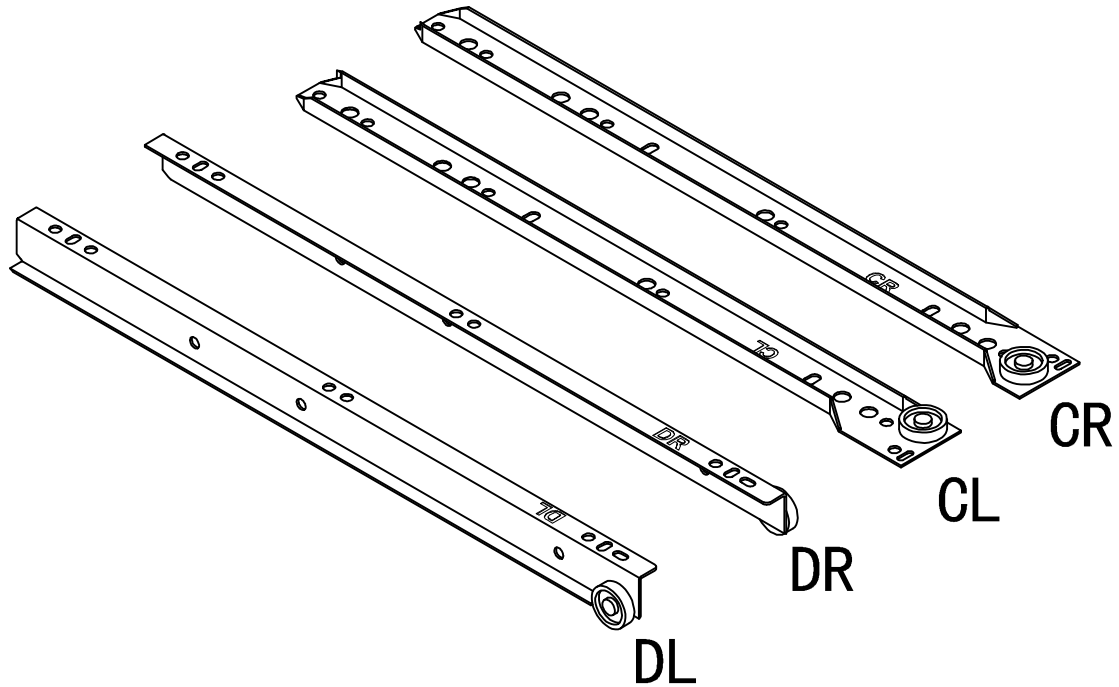
1OF2 ②, ③, ⑥ X2, ⑦ X5, ⑧ X5, FITTING KIT

2OF2 ①, ④ X4, ⑤ X5, ⑨ X5, ⑩ X5, ⑪ X5,

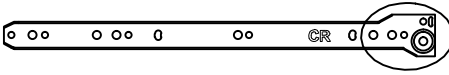
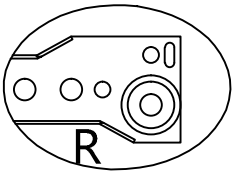
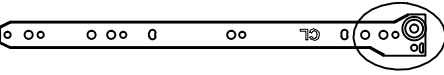
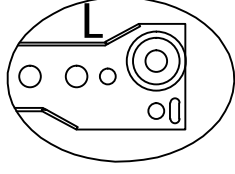

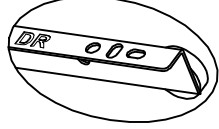
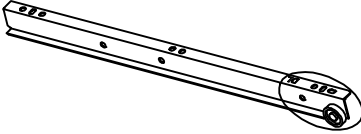
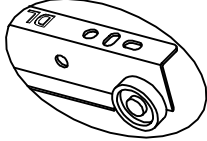
Drawer Runner Instruction

IMPORTANT - Please Read It Carefully.

NOTE:1 PAIR DRAWER RUNNER INCLUDES 4 PIECES.



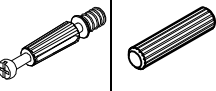
Fittings (not to scale)

NO.	DESCRIPTION	QTY		
CR	Outer Drawer Runner - Right	5PCS		
CL	Outer Drawer Runner - Left	5PCS		
DR	Inner Drawer Runner - Right	5PCS		
DL	Inner Drawer Runner - Left	5PCS		

Assembly Instruction

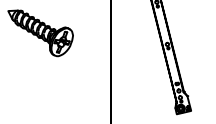
Step 1

A=8 C=4



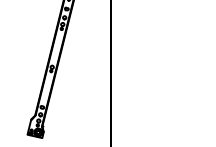
Peg Dowel

D=20 CR=5

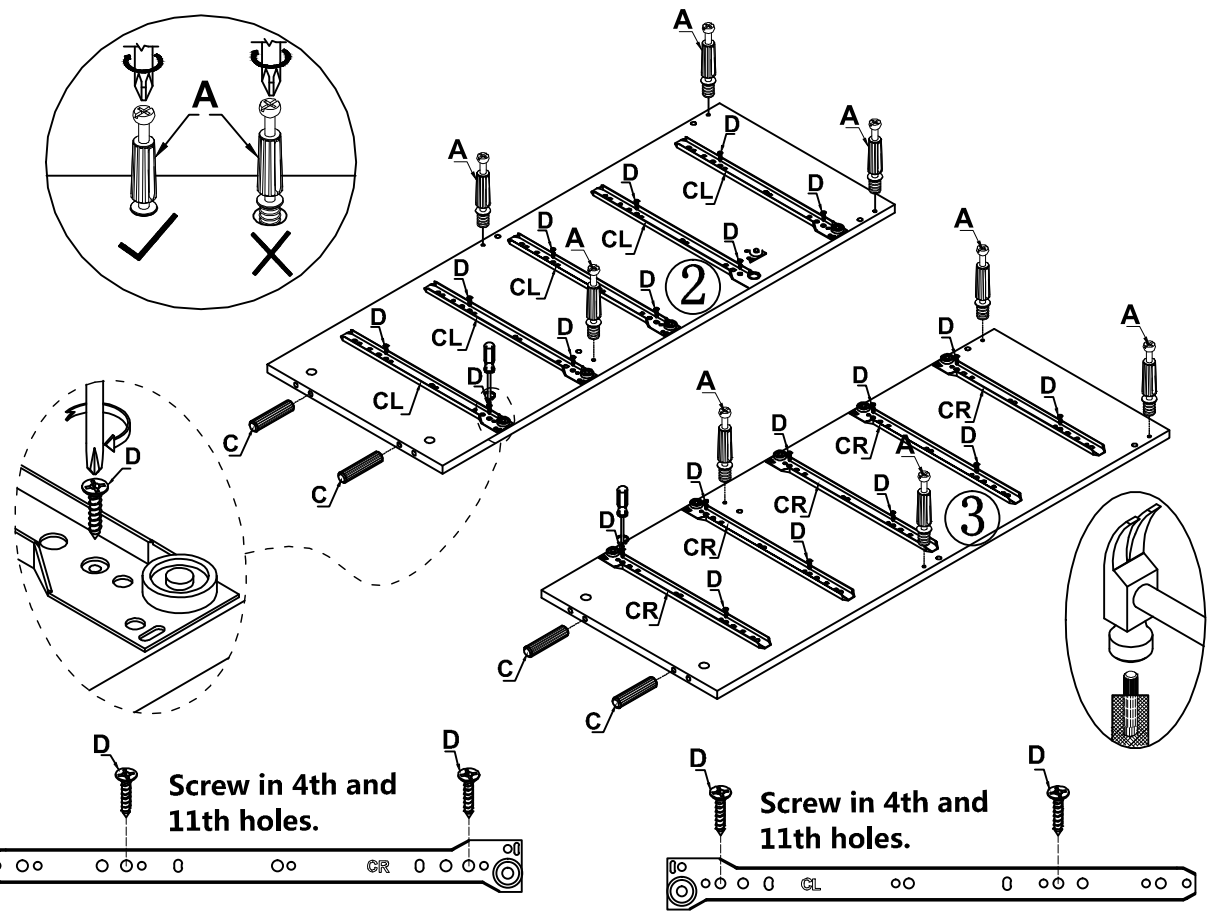


Screw Drawer Runner

CL=5

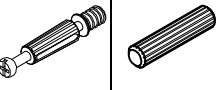


Drawer Runner

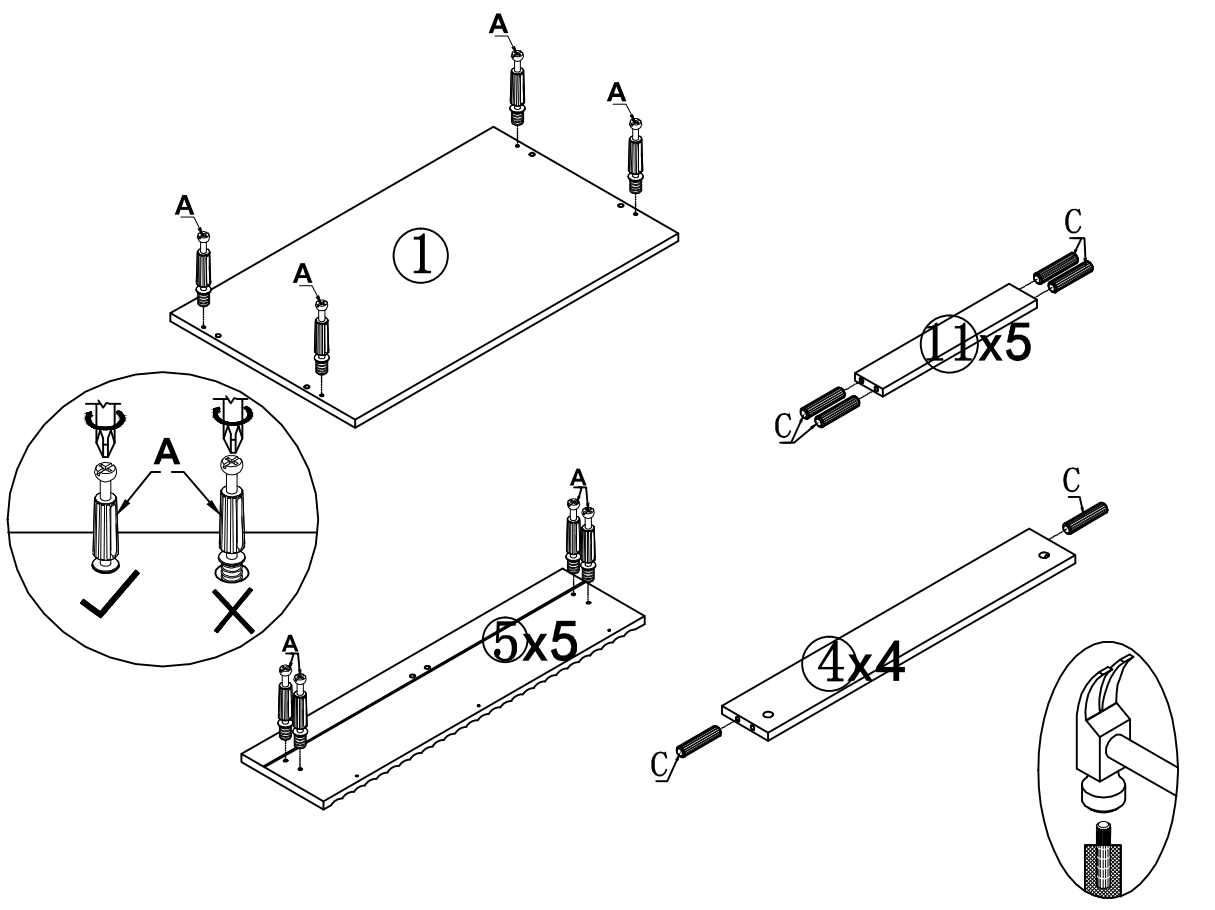


Step 2

A=24 C=28



Peg Dowel



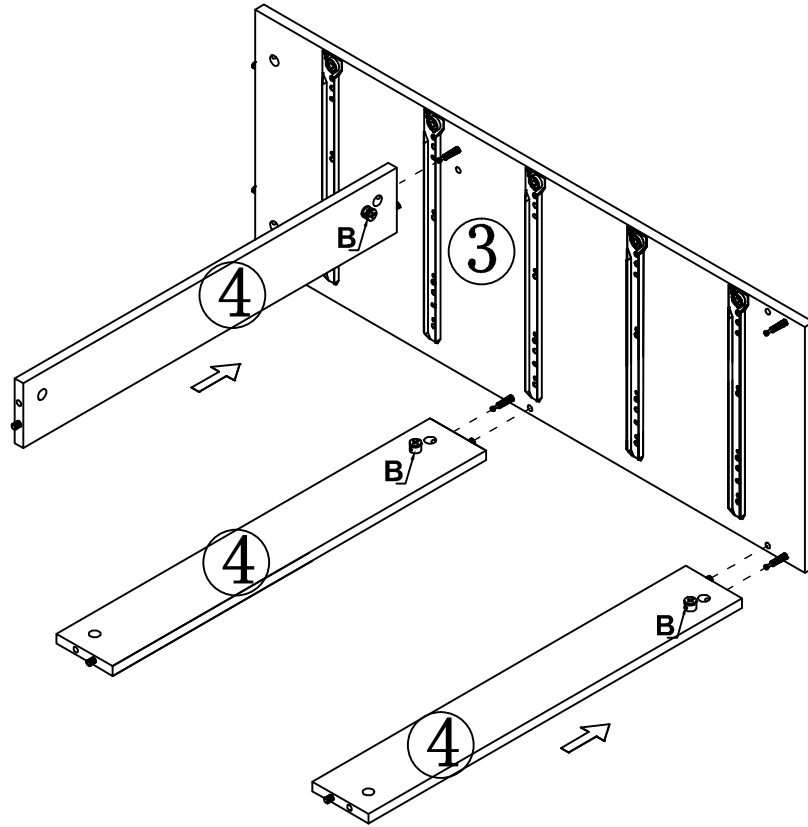
Assembly Instruction

Step 3

B=3

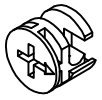


Lock

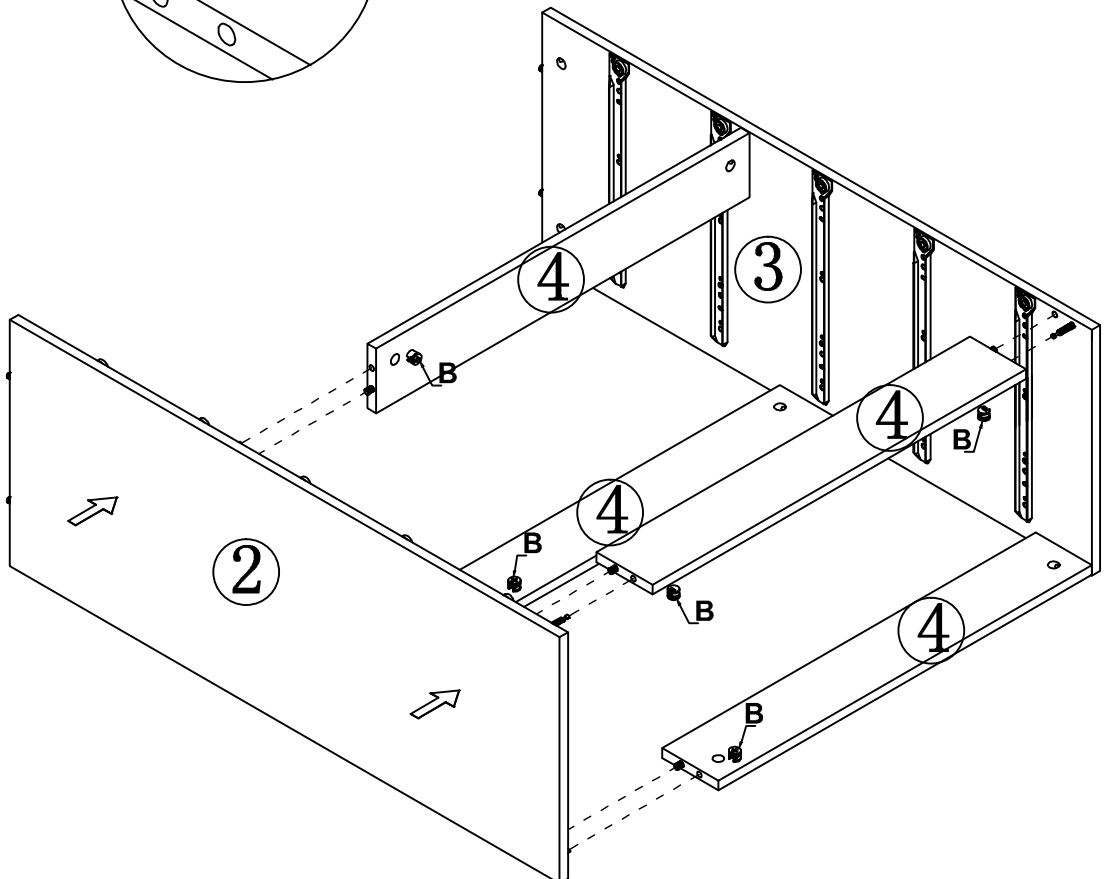


Step 4

B=5



Lock



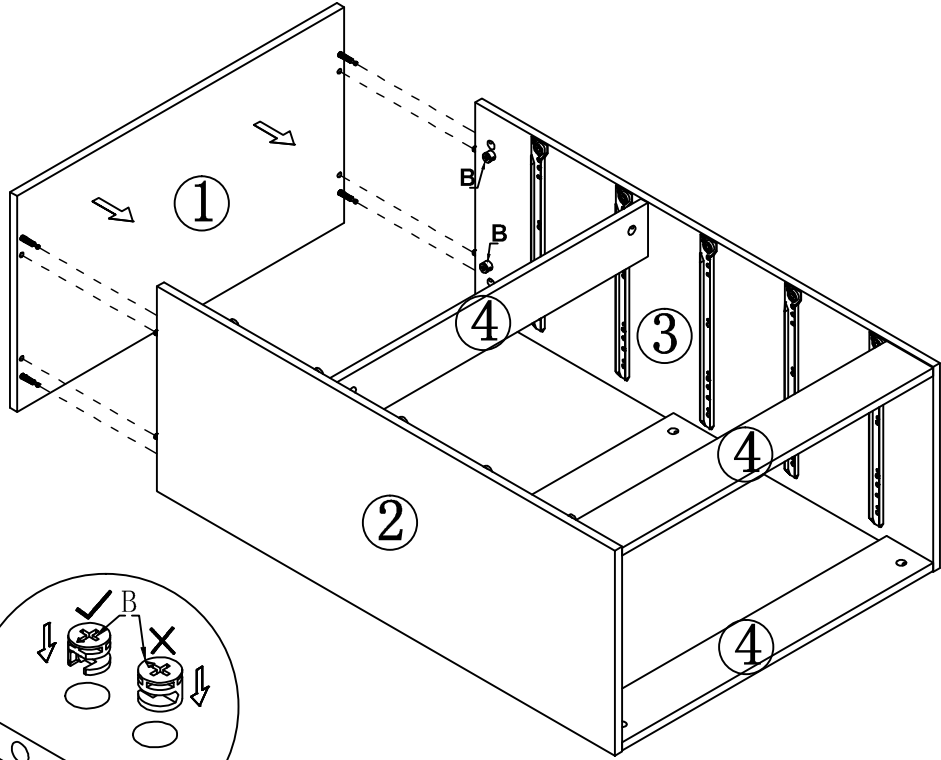
Assembly Instruction

Step 5

B=4



Lock



Step 6

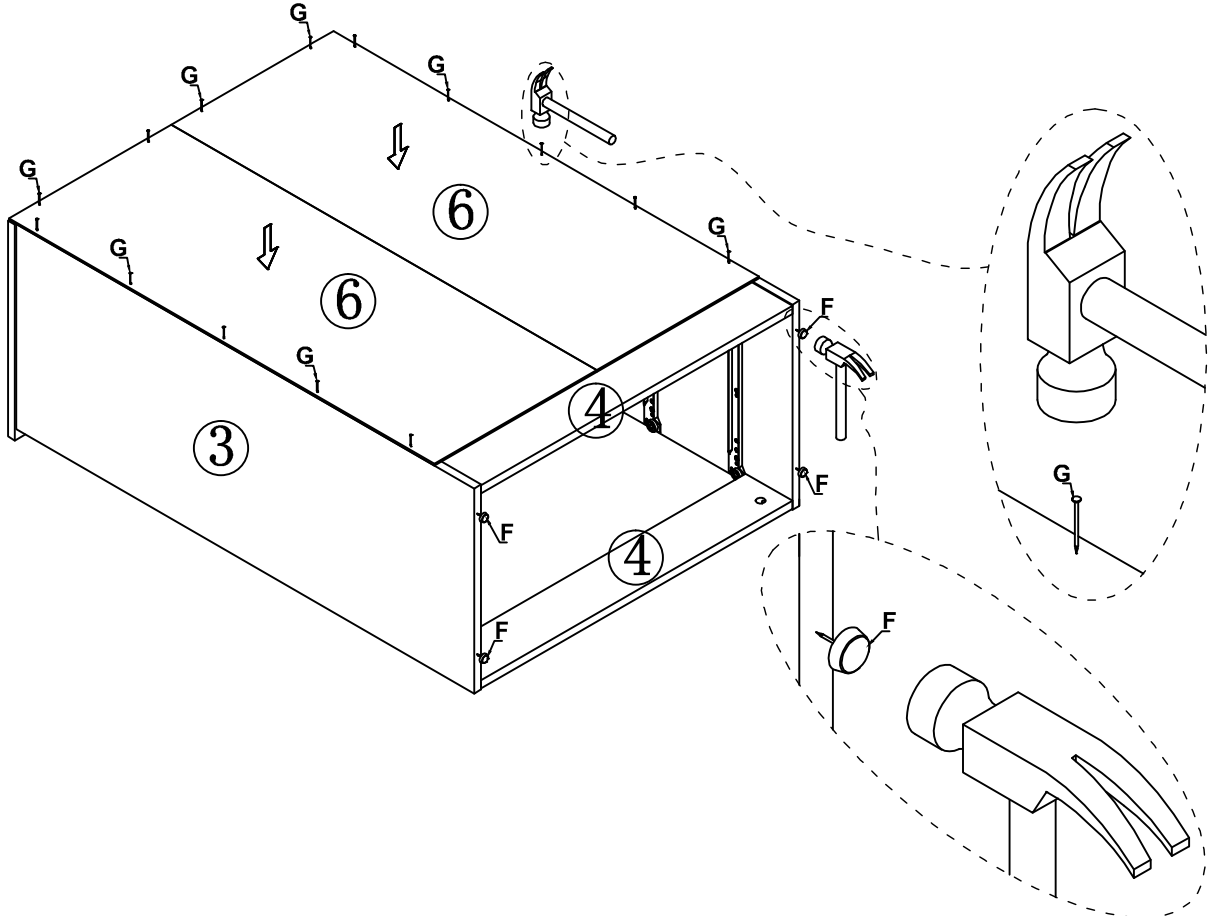
G=14

F=4



Pin

Plastic Feet



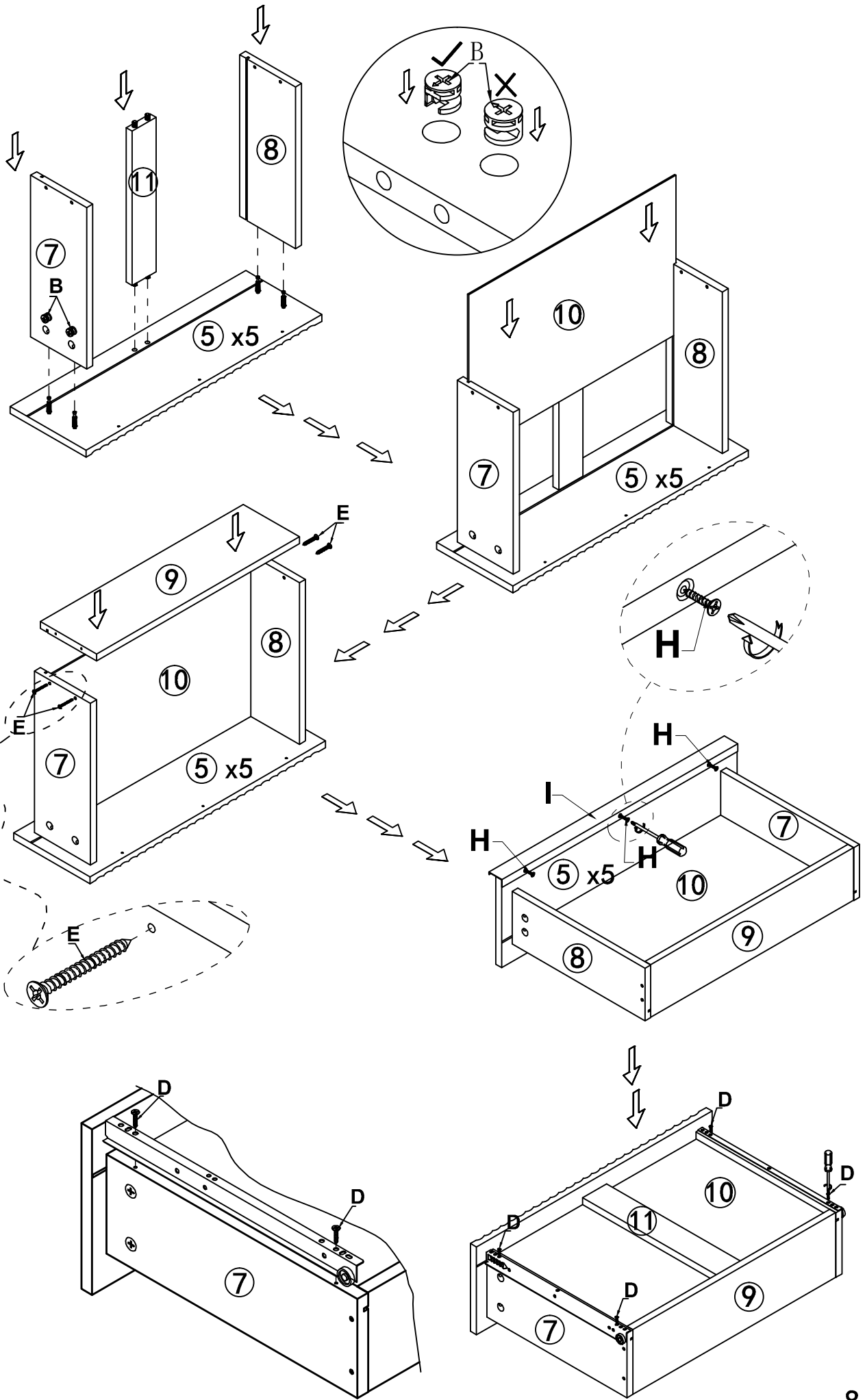
Assembly Instruction

Step 9

B=20

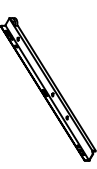


Lock
M15*12



Step 10

DR=5



Drawer
Runner

E=20



Screw
M4*38

I=5



Handle
L=692mm

DL=5



Drawer
Runner

D=20



Screw
M3.5*14

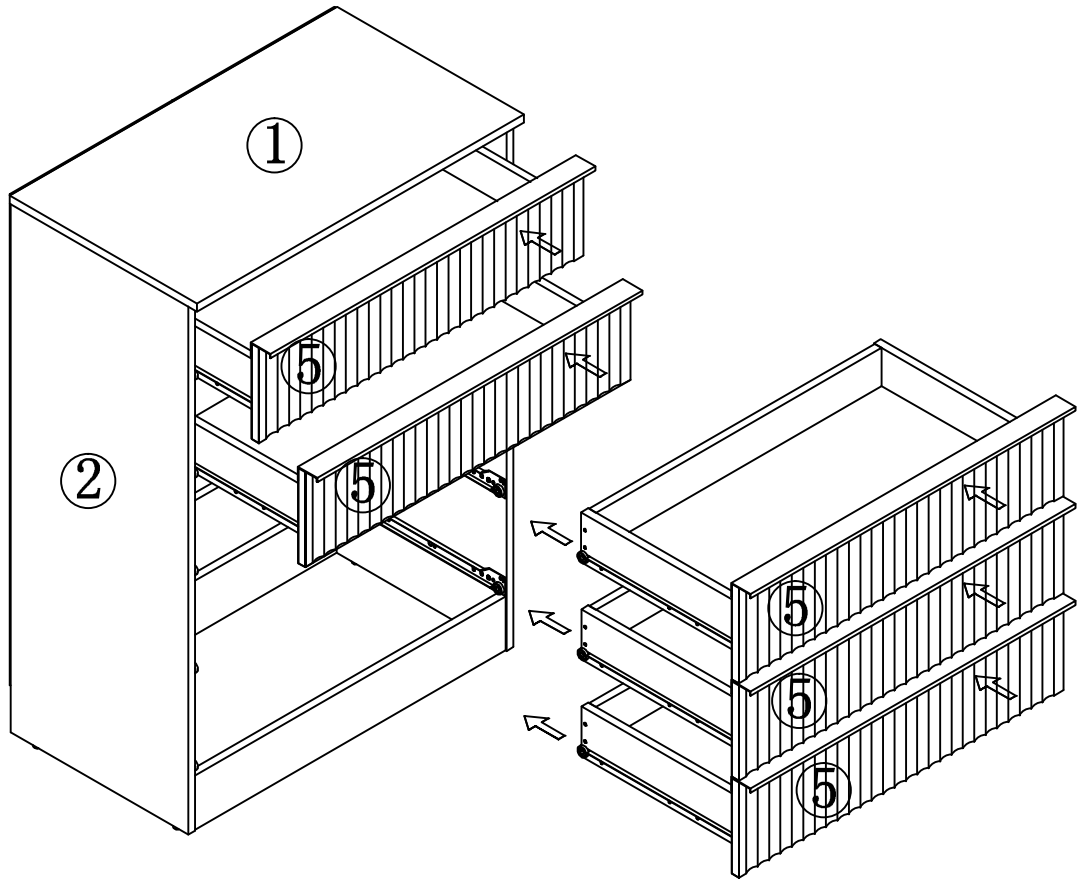
H=15



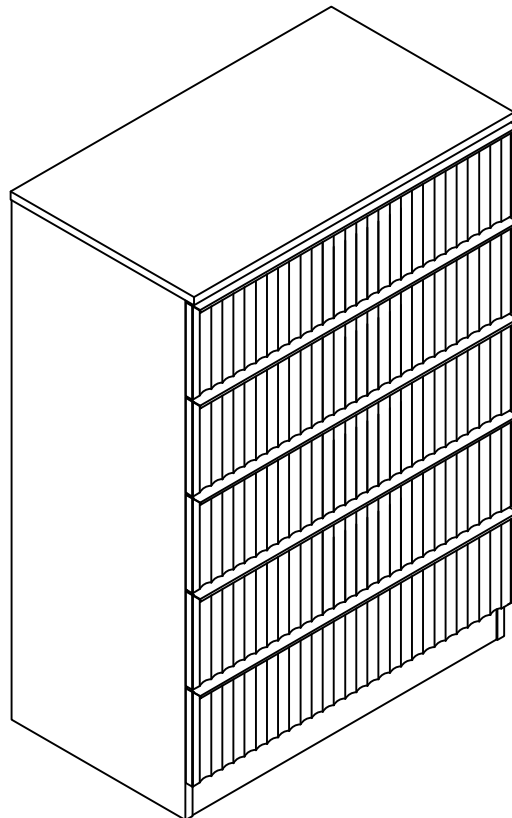
Screw
M3.5*12

Assembly Instruction

Step 8



Step 9



OK

P=1

