

# INSTALLATION INSTRUCTIONS

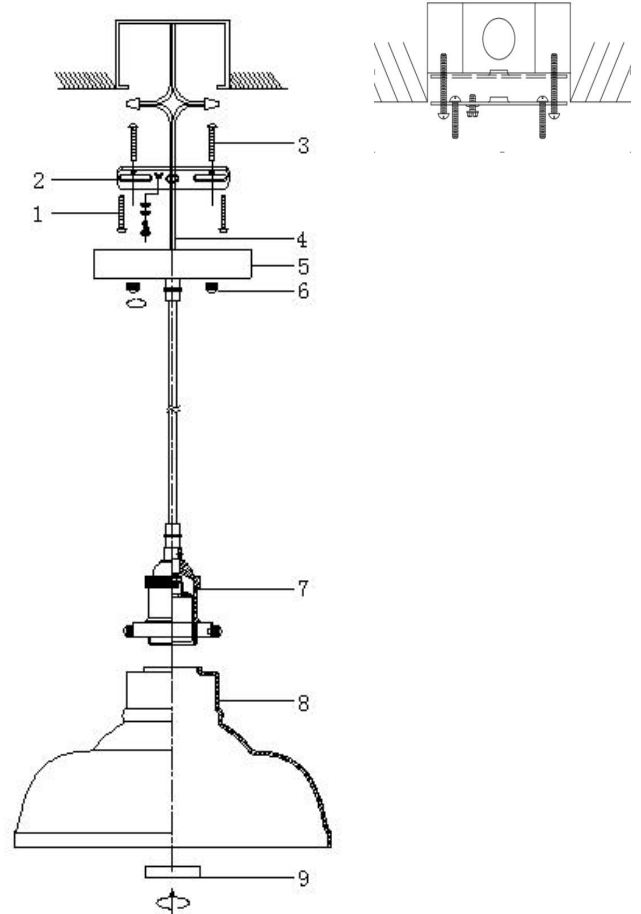
For Ceiling Mount Light Fixture

**WARNING ! SHUT OFF POWER AT FUSE OR CIRCUIT BREAKER.**

Shut off the main power supply from the main fuse box/circuit breaker.

1. Take the lights out of the package. Cut off the power, then use the screw 1 to mount the siding 2 to the ceiling's junction box.
2. Connect the wires as the Fig 2 instructed.
3. Use the the nut 6 to mount the wired lamps to the screw 3 which is in the ceiling's siding.
4. Use the outer ring 9 to fix the lampshade 8 on the light socket 7.
5. Install the light source. Connect the power, and lighting installation completed.

Fig. 1



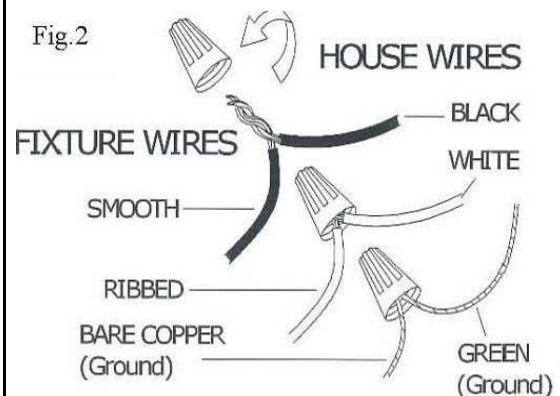
## CONNECTING THE WIRES (Fig 2)

1. Attach the power supply wires to the fixture lead wires by connecting BLACK to BLACK (or SMOOTH) and WHITE to WHITE (or RIBBED).
2. Attach the GROUND wire (GREEN or COPPER) from the Junction Box and the fixture Ground wire to the green Ground Screw on the Mounting Bracket (B) or connect both wires together using the correct size of wire connectors.

NOTE: Twist the wires together in the same direction you twist the wire connector onto the wires.

3. Tuck these wire connections neatly into the Junction Box.

Fig.2



For Customer Service, contact the place of purchase to arrange for replacement parts.