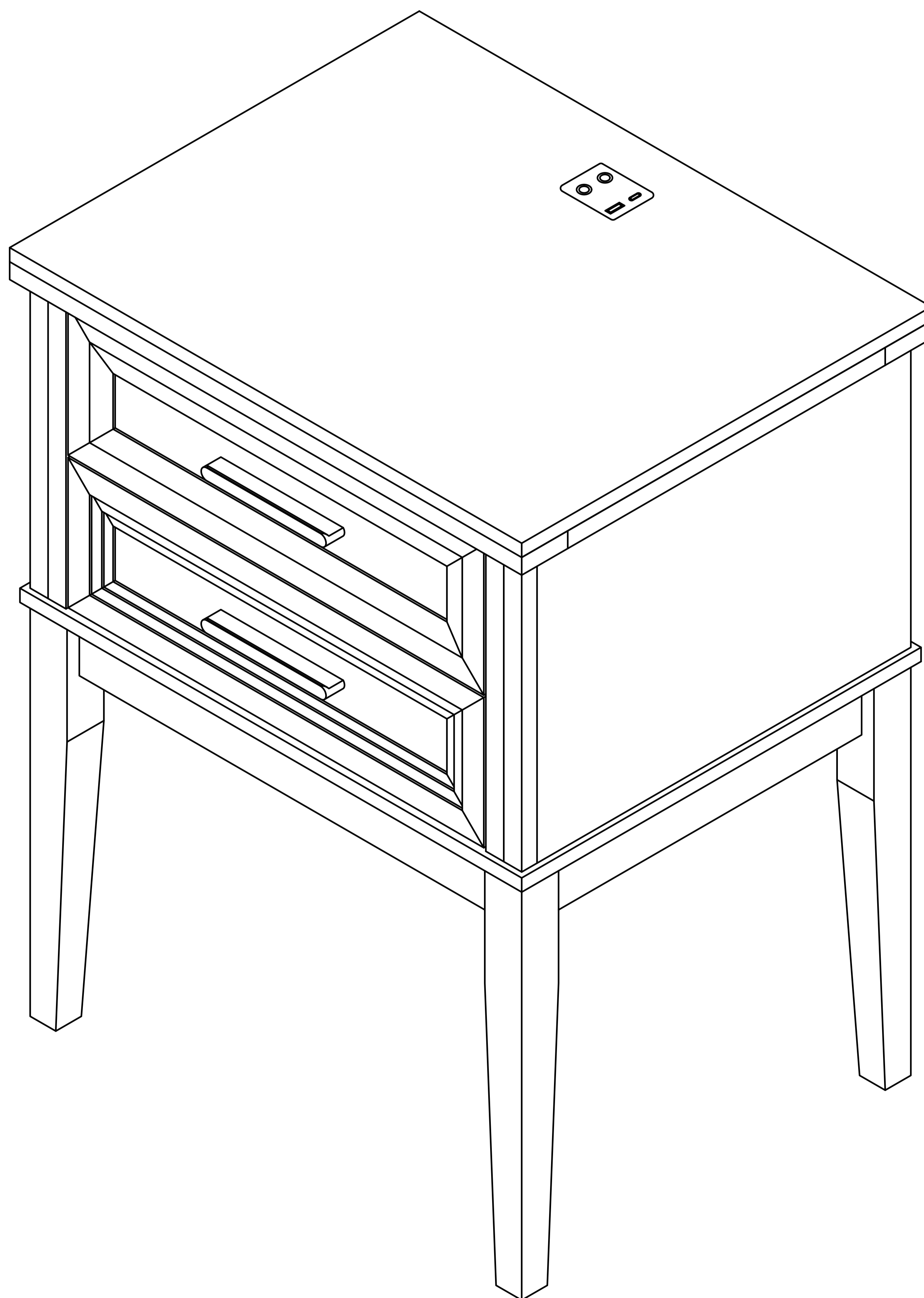
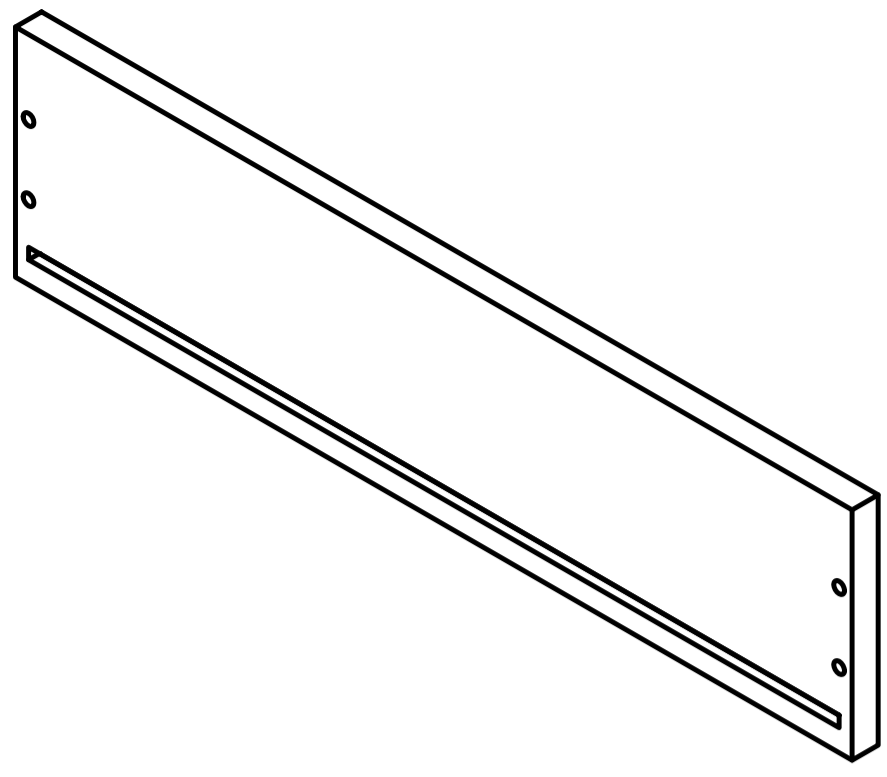
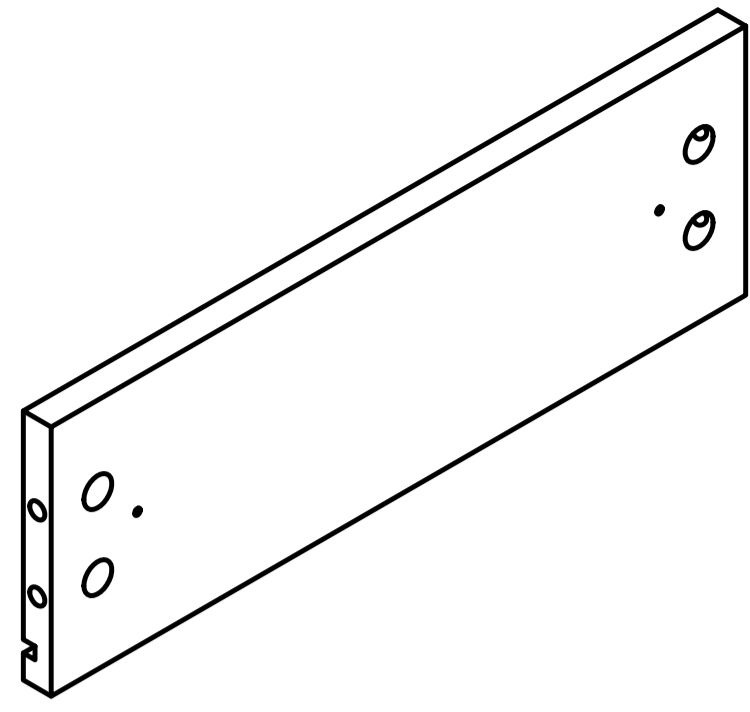


# Product Installation Instructions

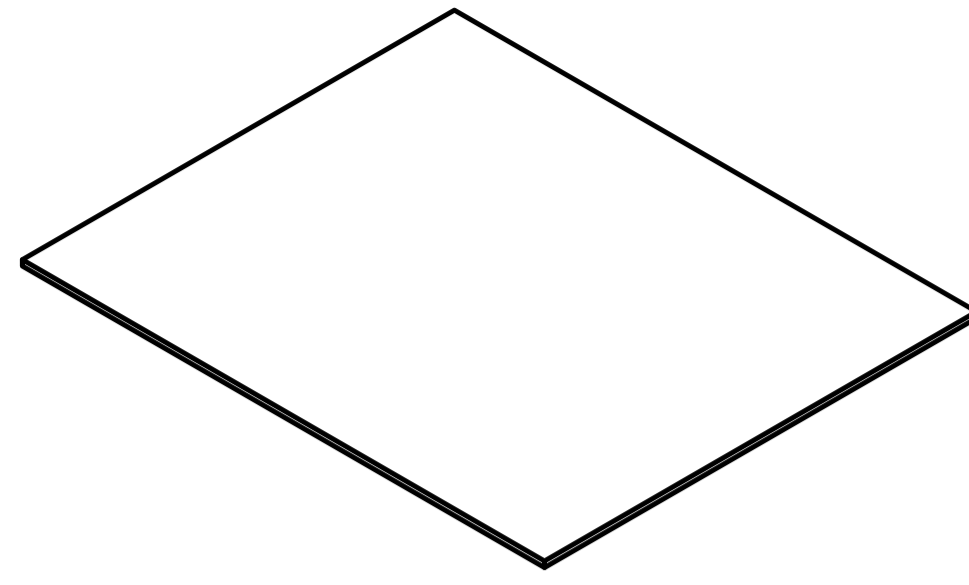




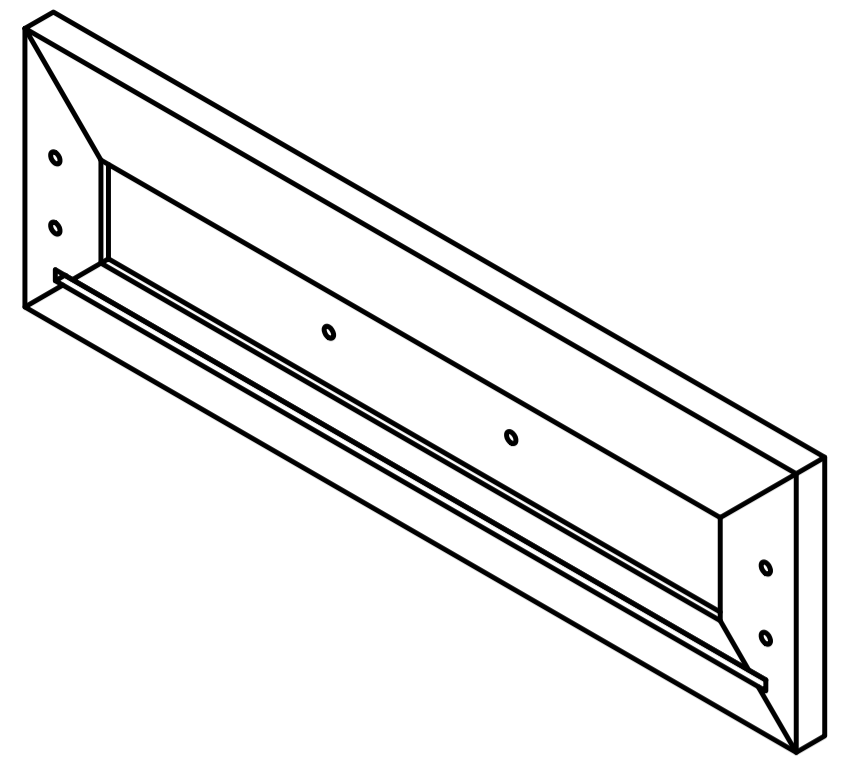
**Ax2**



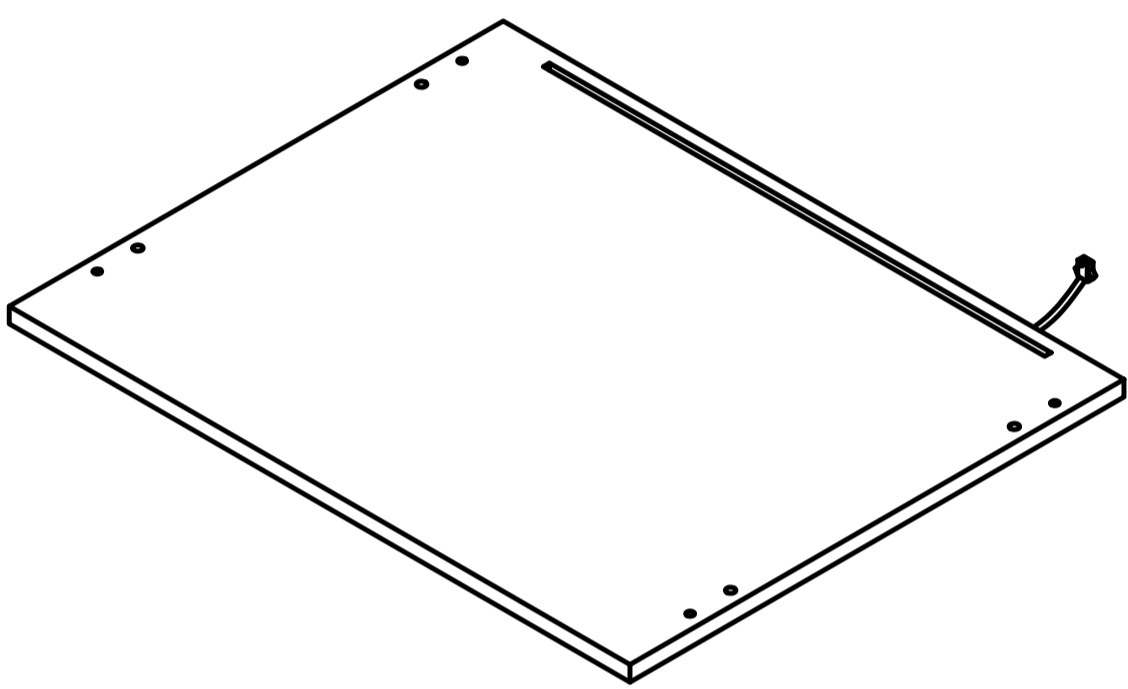
**Bx4**



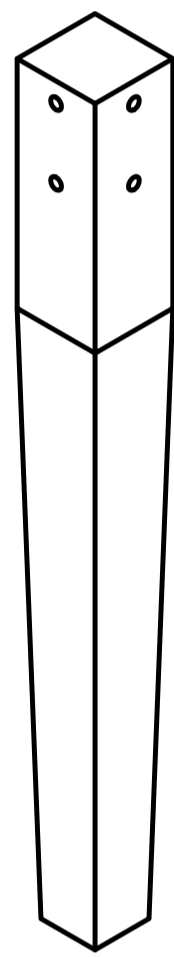
**Cx2**



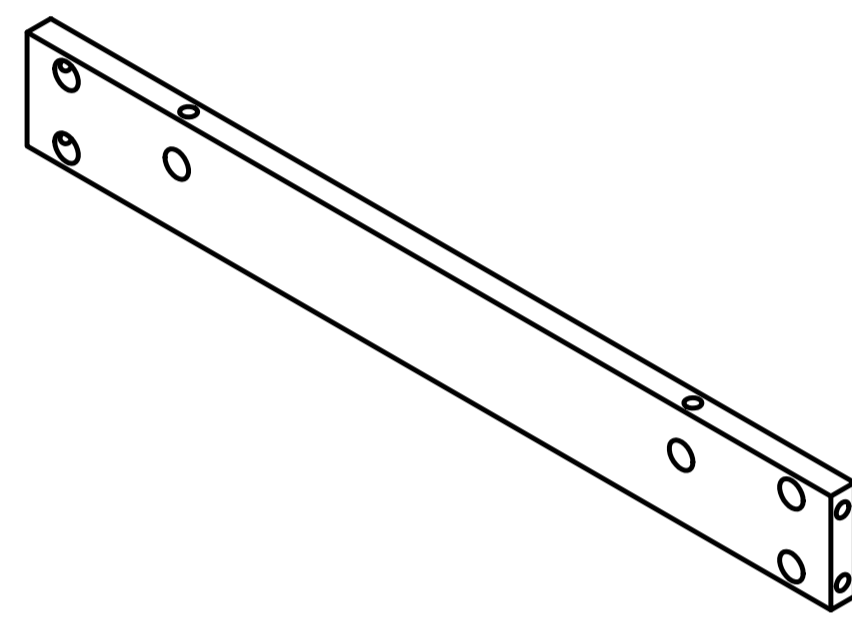
**Dx2**



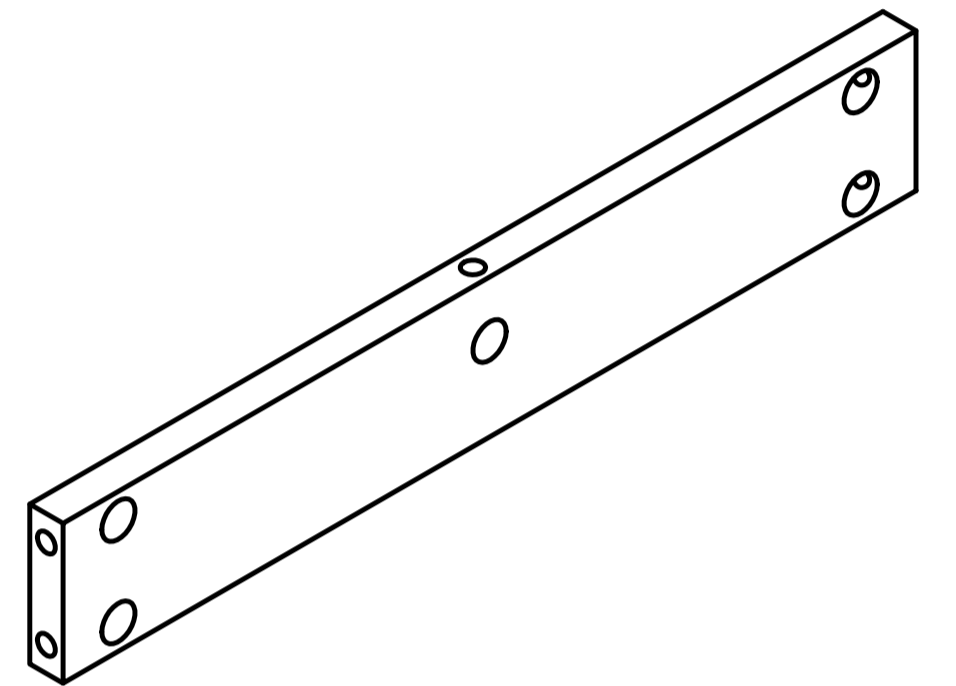
**Ex1**



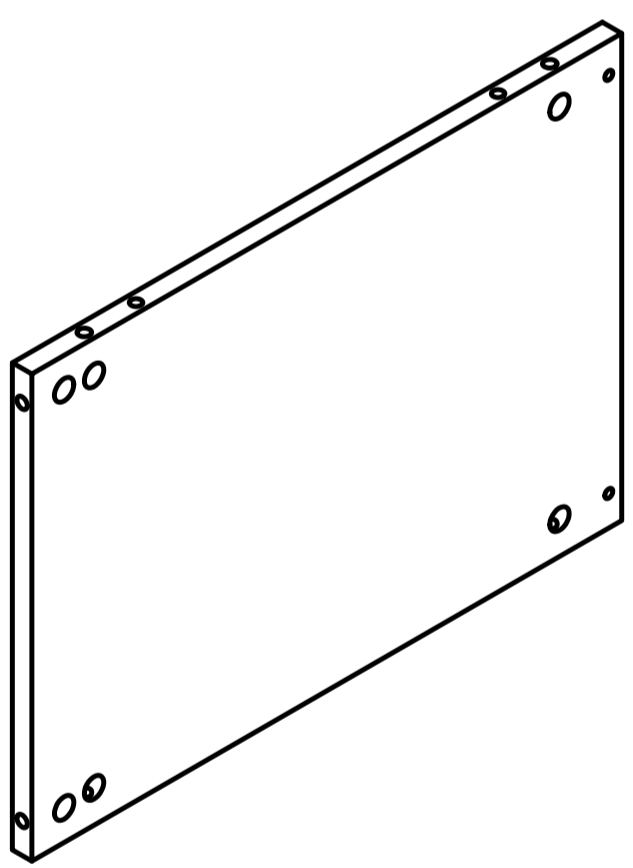
**Fx4**



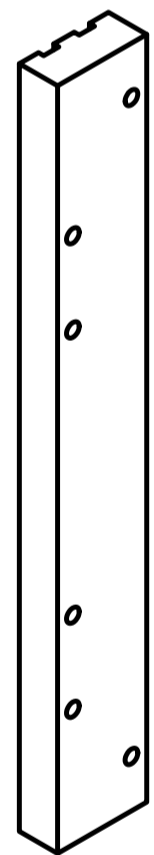
**Gx2**



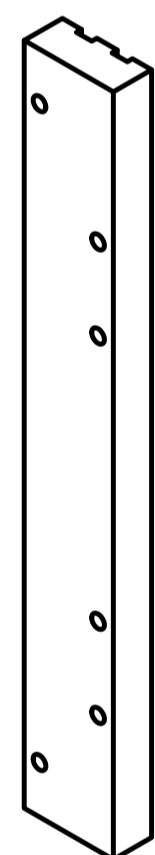
**Hx2**



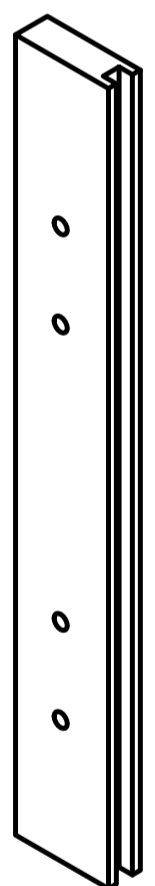
**Ix2**



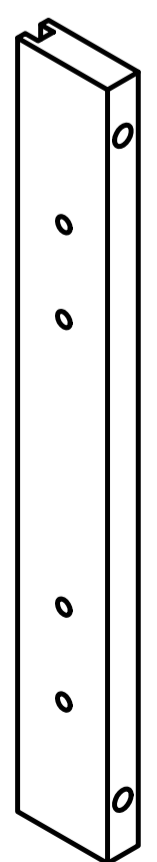
**Jx1**



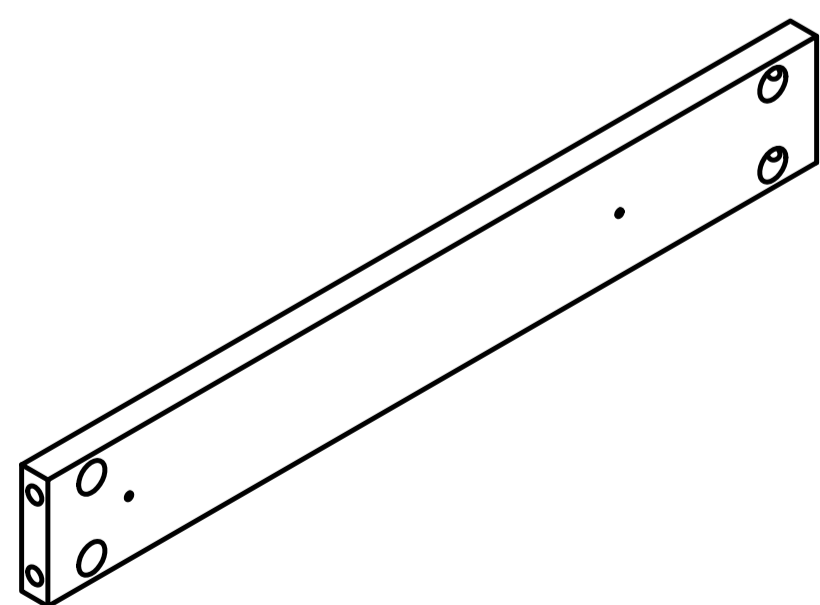
**Kx1**



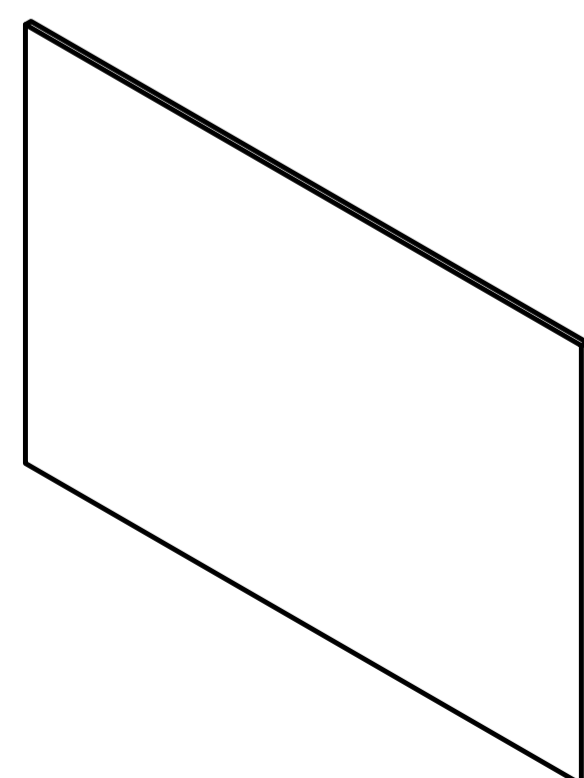
**Lx1**



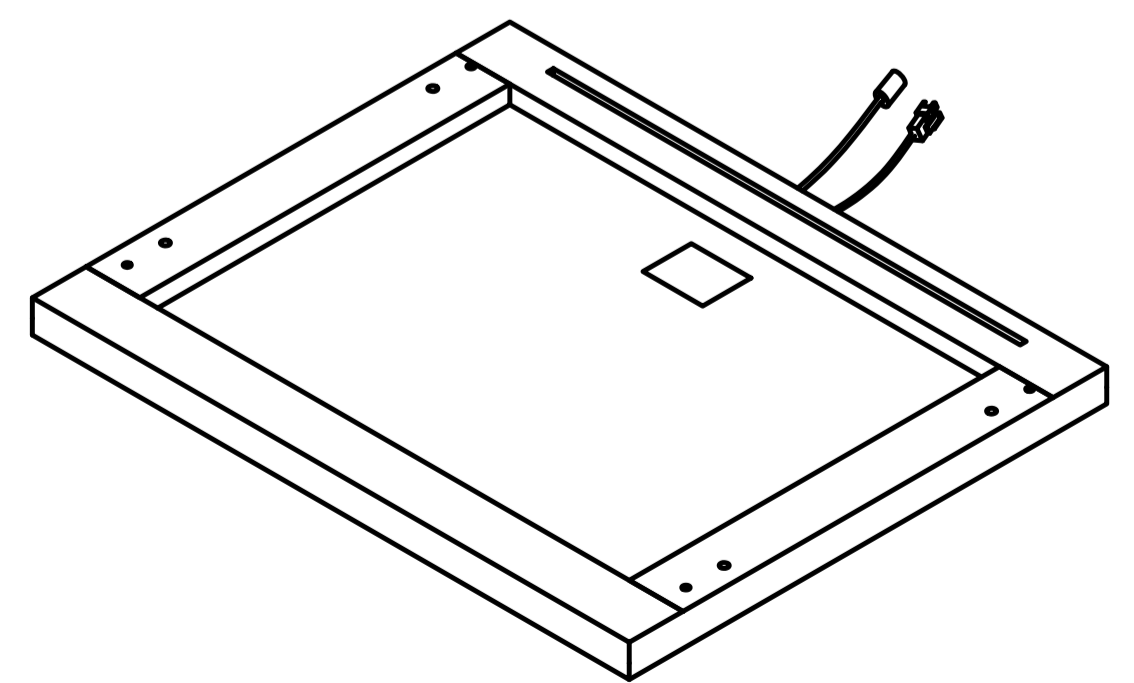
**Mx1**



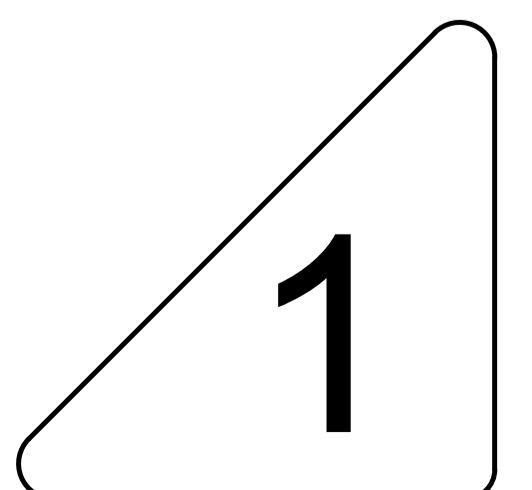
**Nx4**



**Ox1**

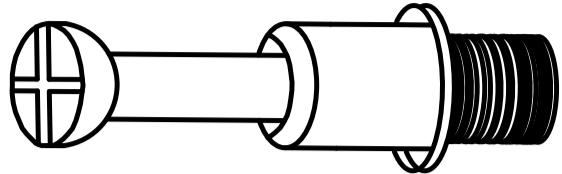
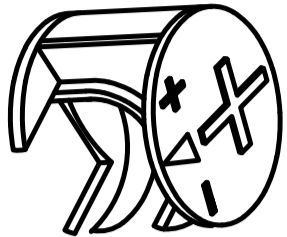

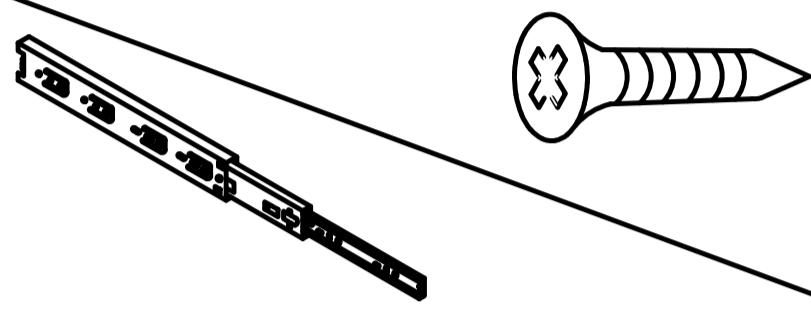
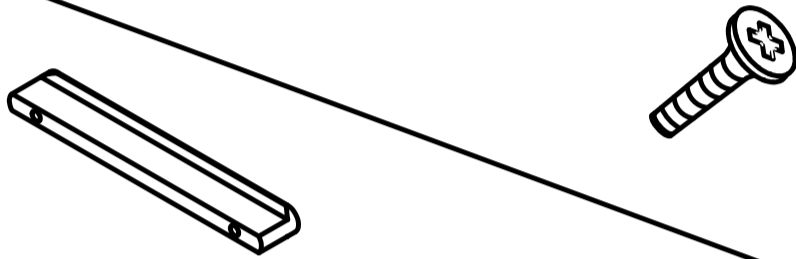
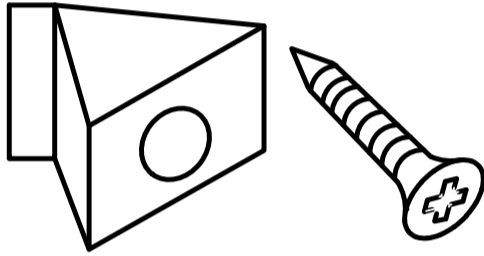
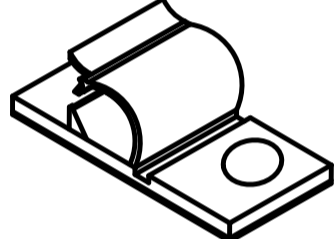

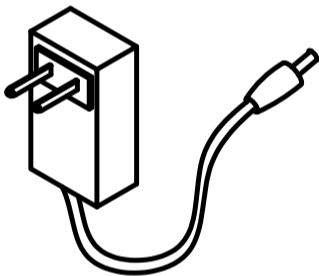


**Px1**

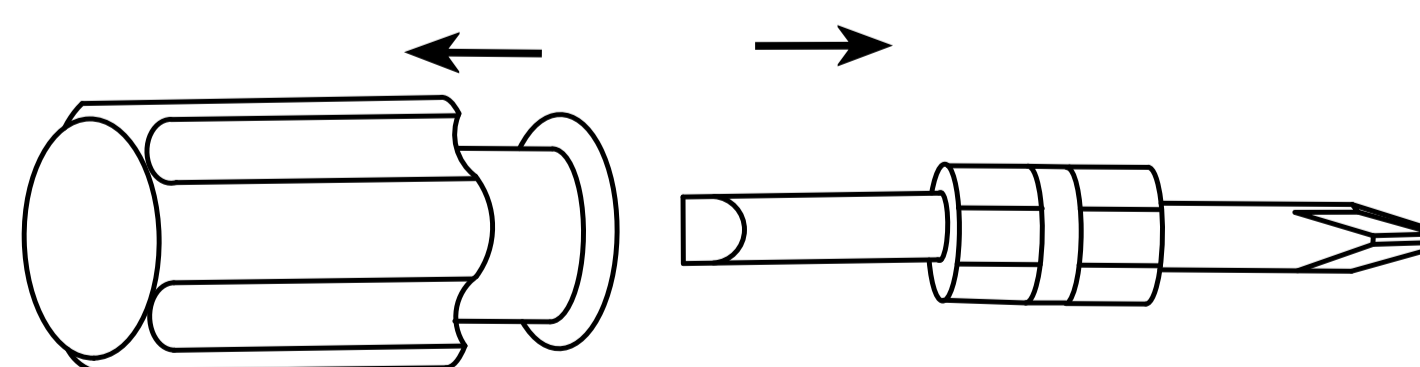
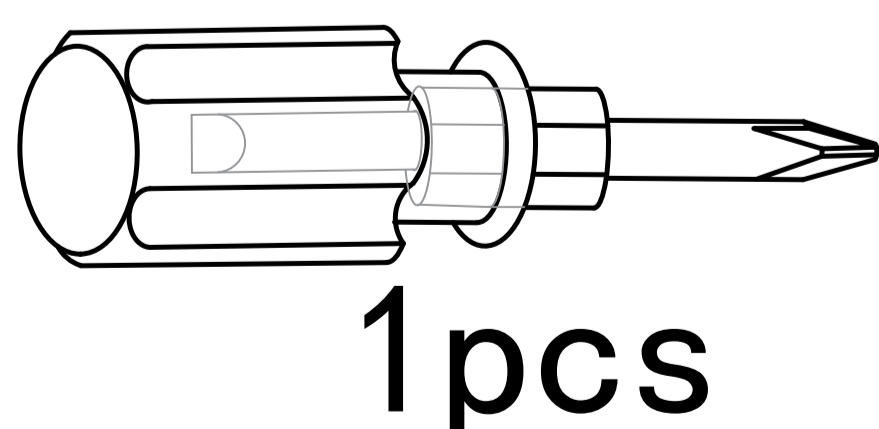


**1**

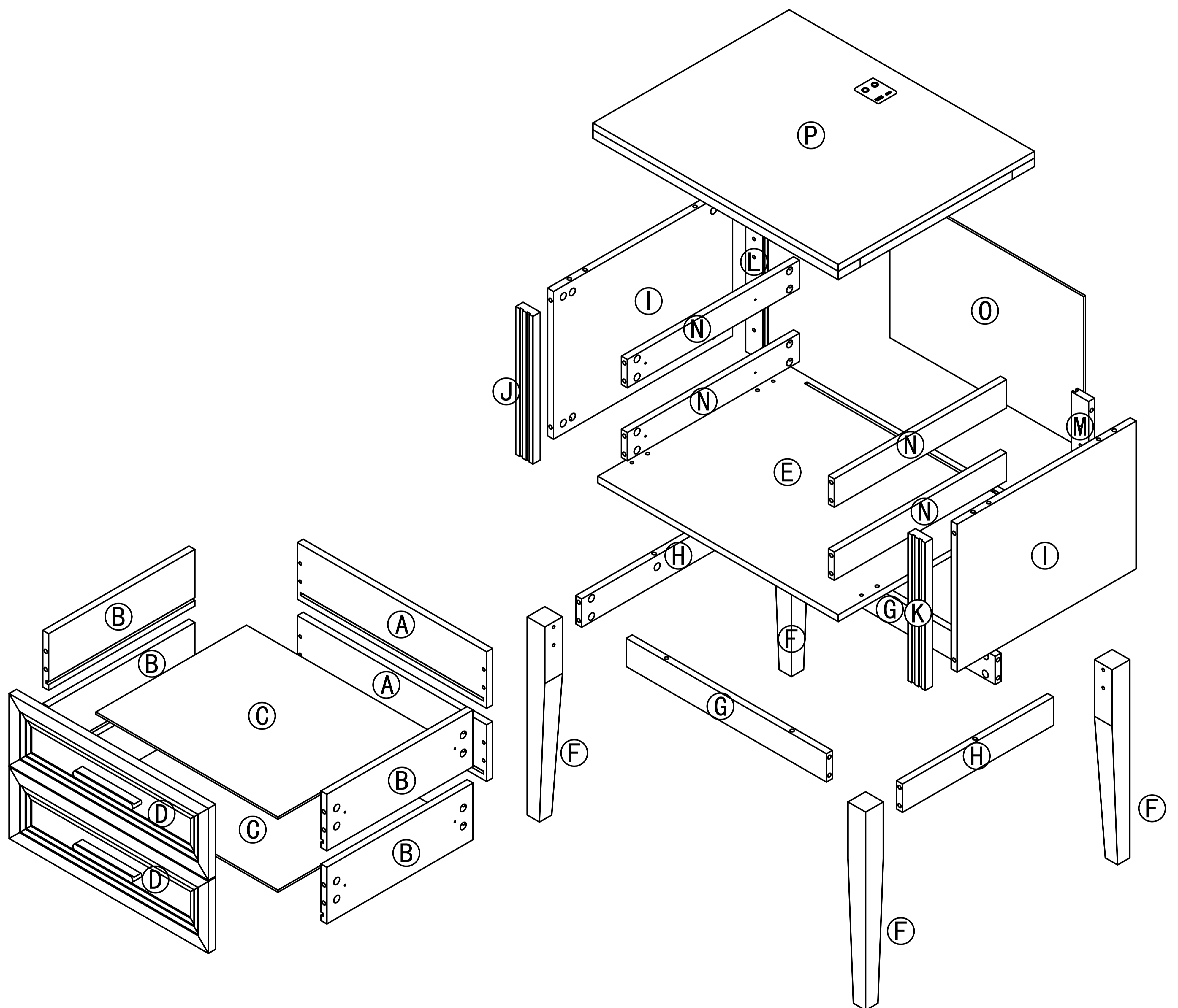
# Accessories list

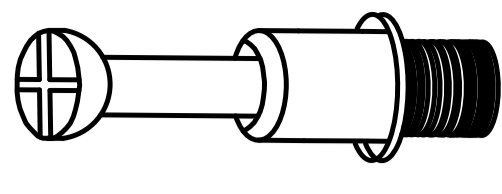
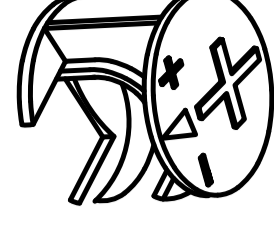
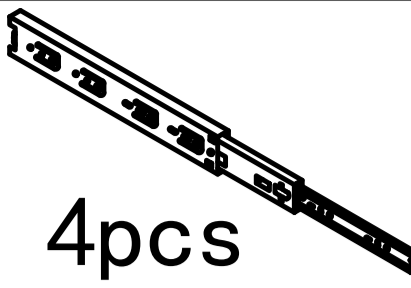
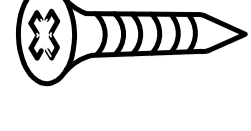
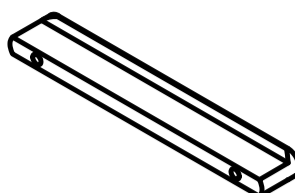

①		Two in one screw (6x28mm)	70pcs +6pcs
②		Two in one nut (10x12mm)	70pcs +6pcs
③		Wood chipping (6x30mm)	8pcs +2pcs
④		Guide & Screw(29cm) (3x12mm)	20pcs +4pcs 4pcs
⑤		Handle & screw (4x8mm)	4pcs +1pcs 2pcs
⑥		Fixing clip & screw (3x16mm)	4pcs +1pcs
⑦		Wire Clamp	1pcs +1pcs
⑧		Non-slip pads (25x25)	4pcs +2pcs
		AC/DC Adapter (12V==2.0A)	1pcs

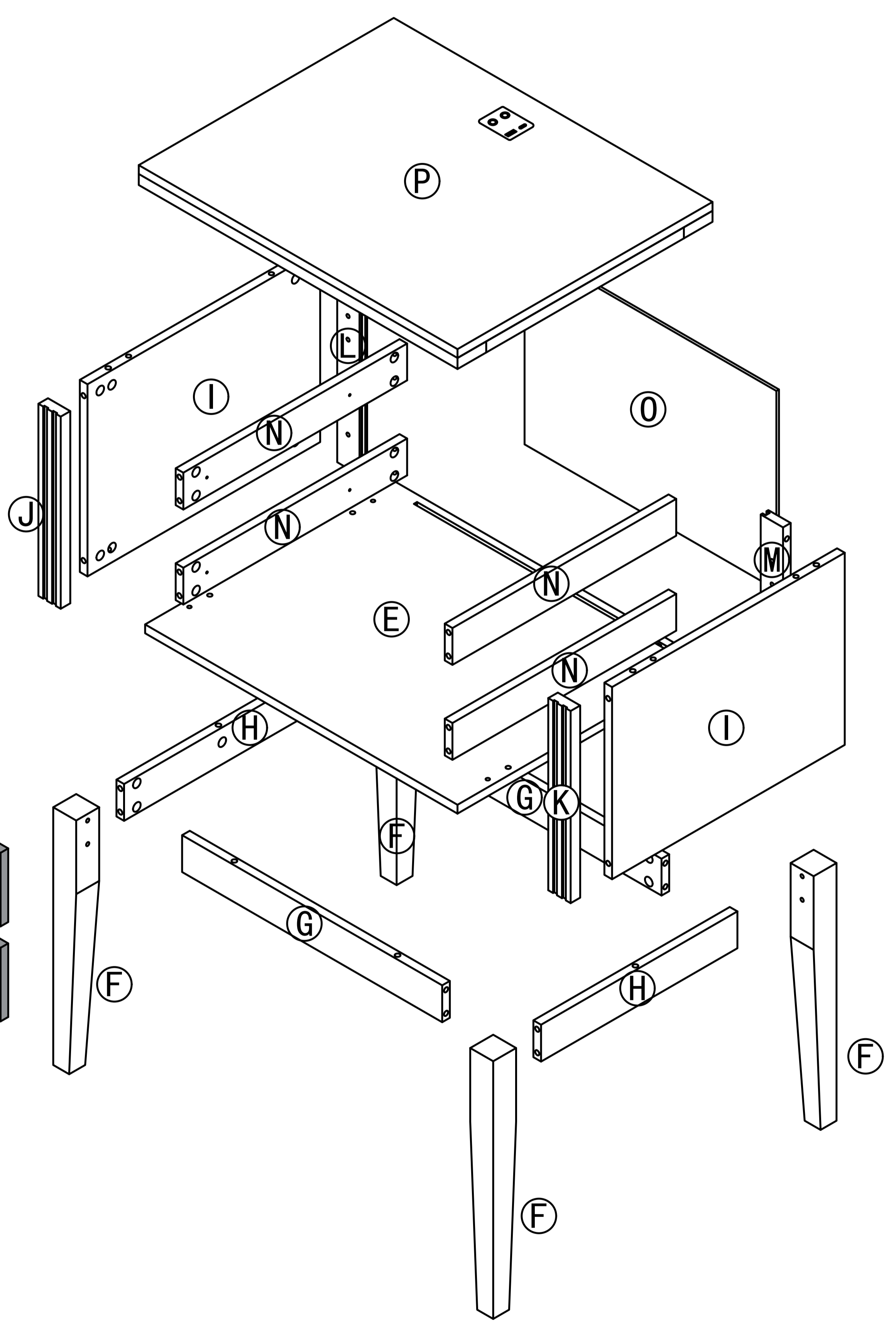
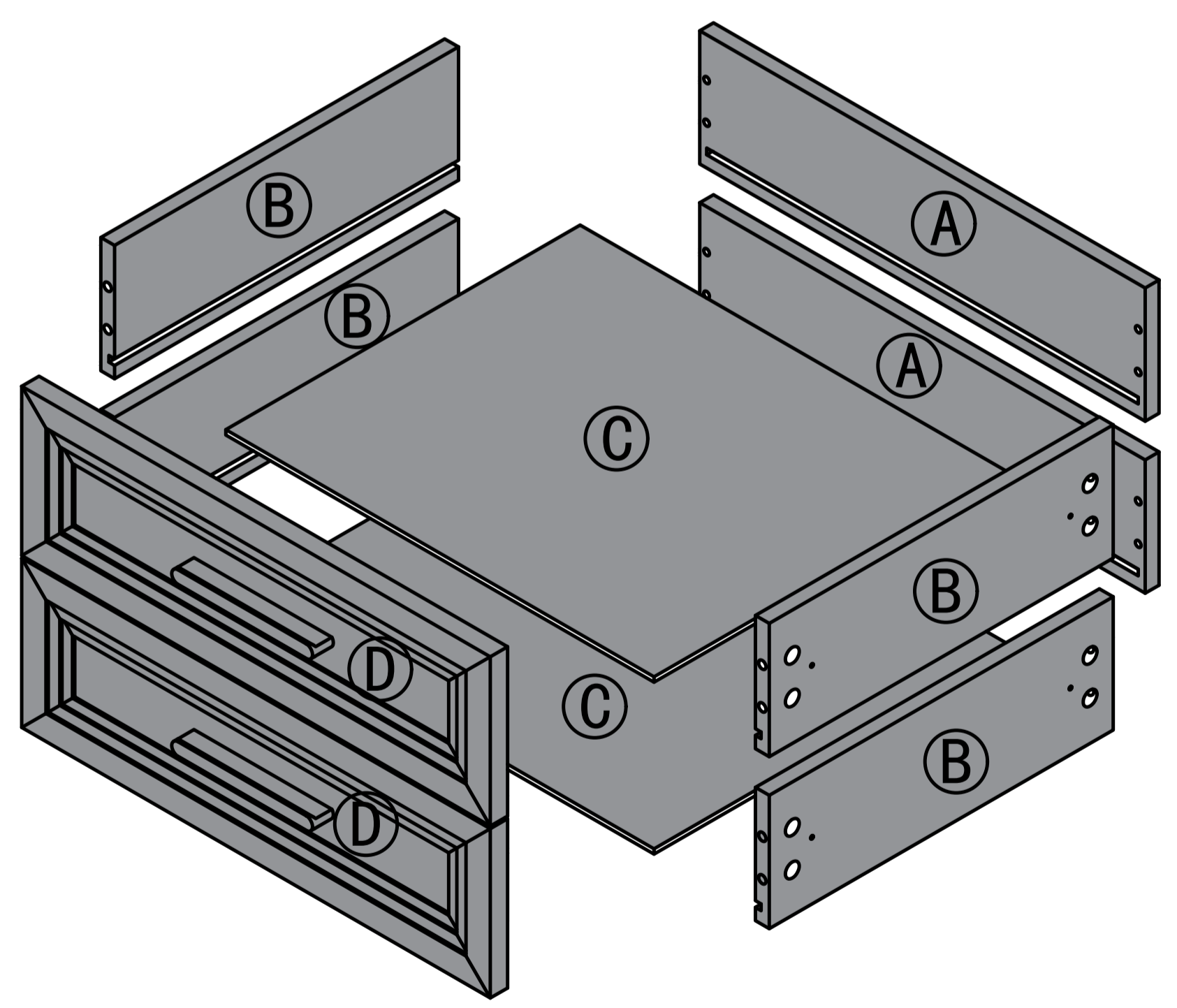
Double-head screwdriver, use as required



# Product structure decomposition

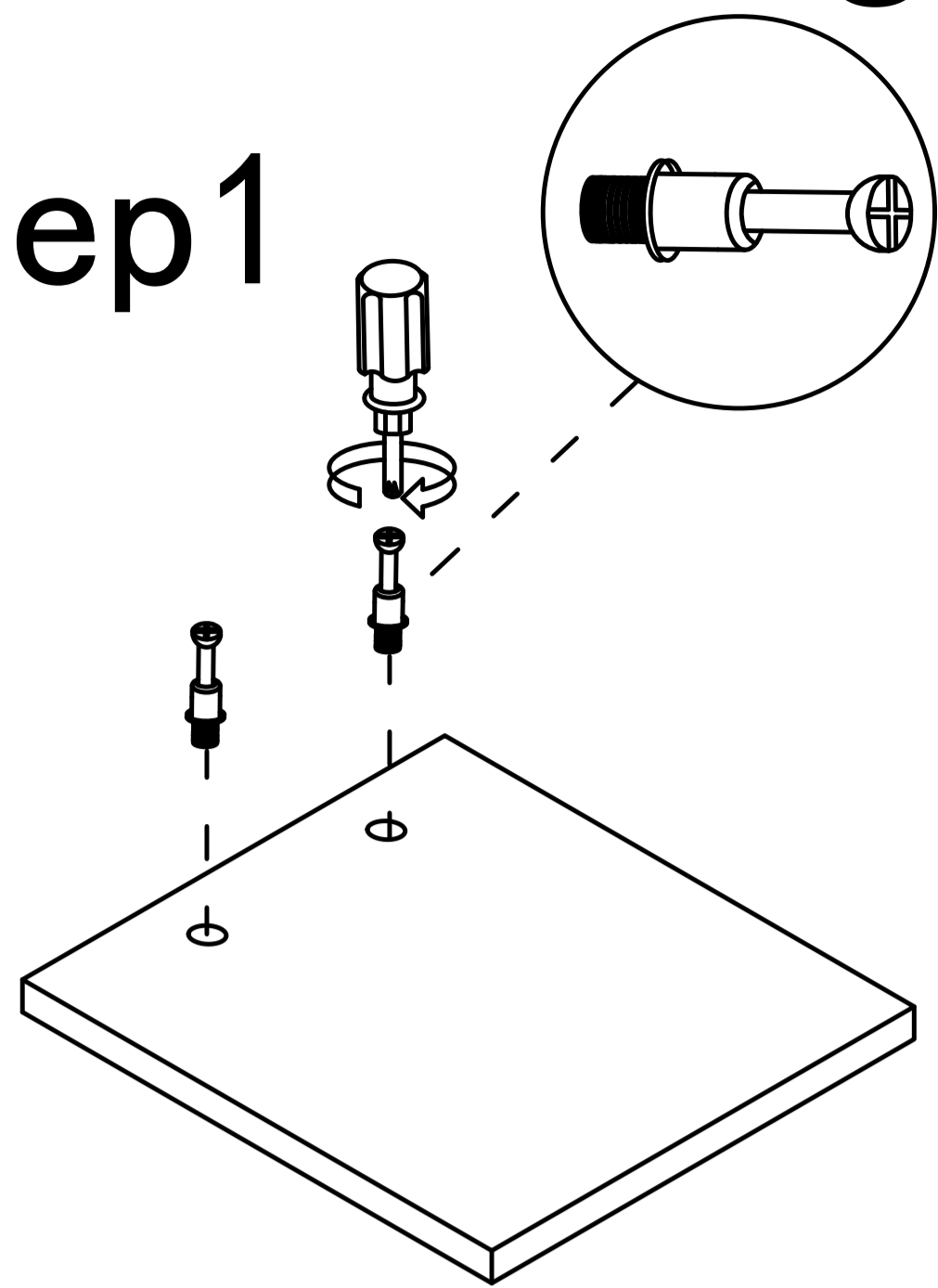


①		16pcs	②		16pcs	④		 8pcs	
⑤	 2pcs	 4pcs							

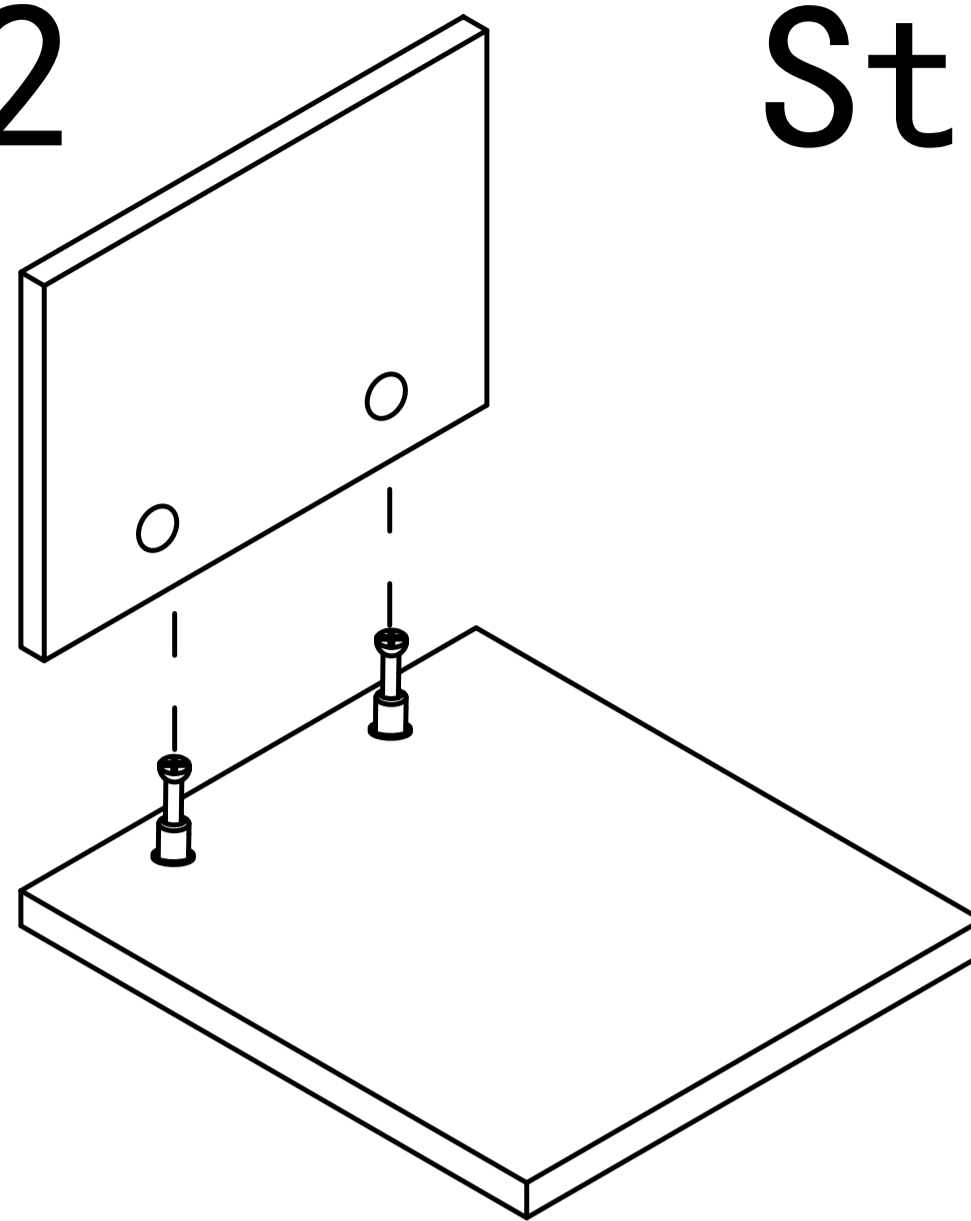


# Use parts ① and ②

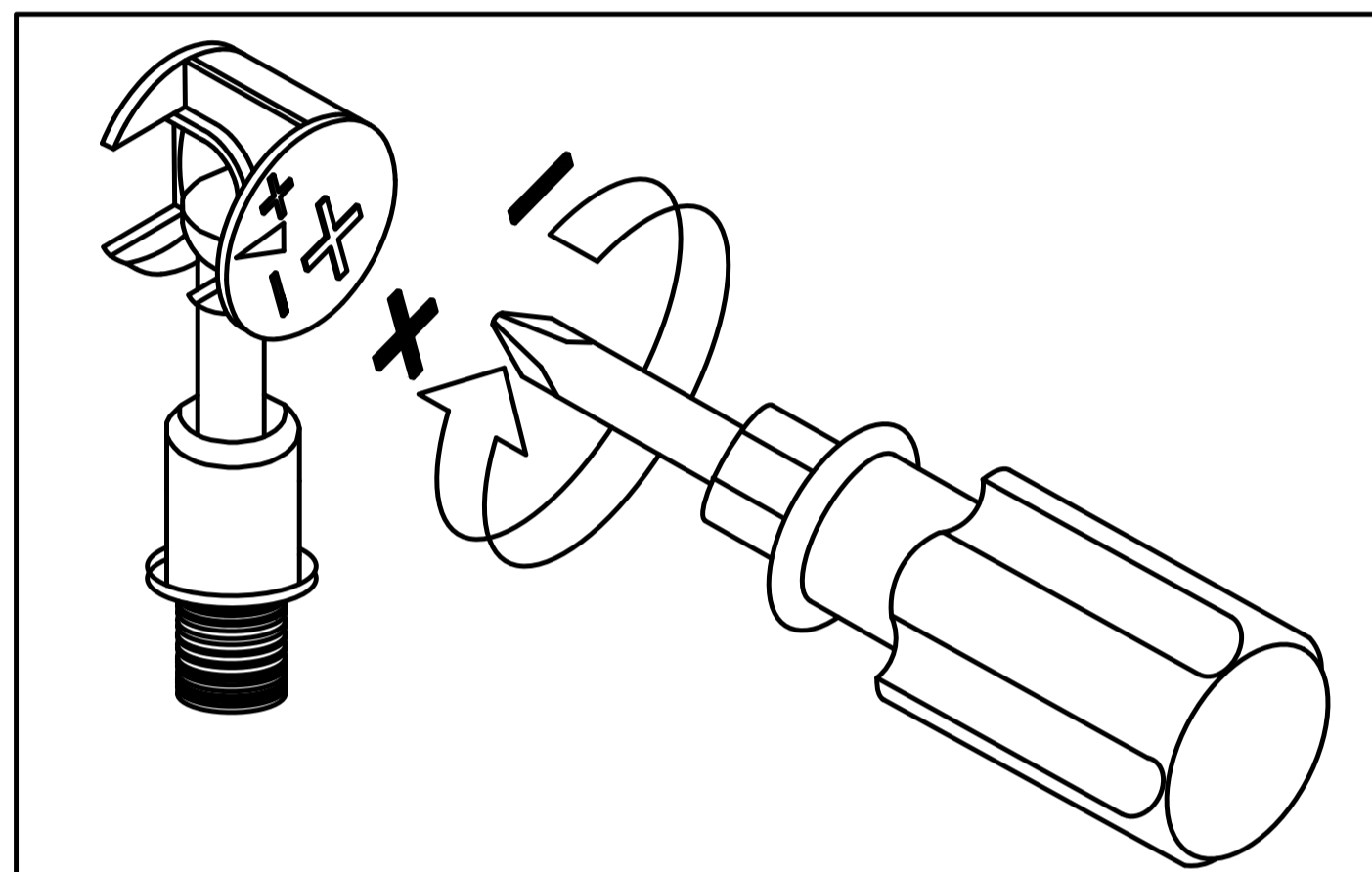
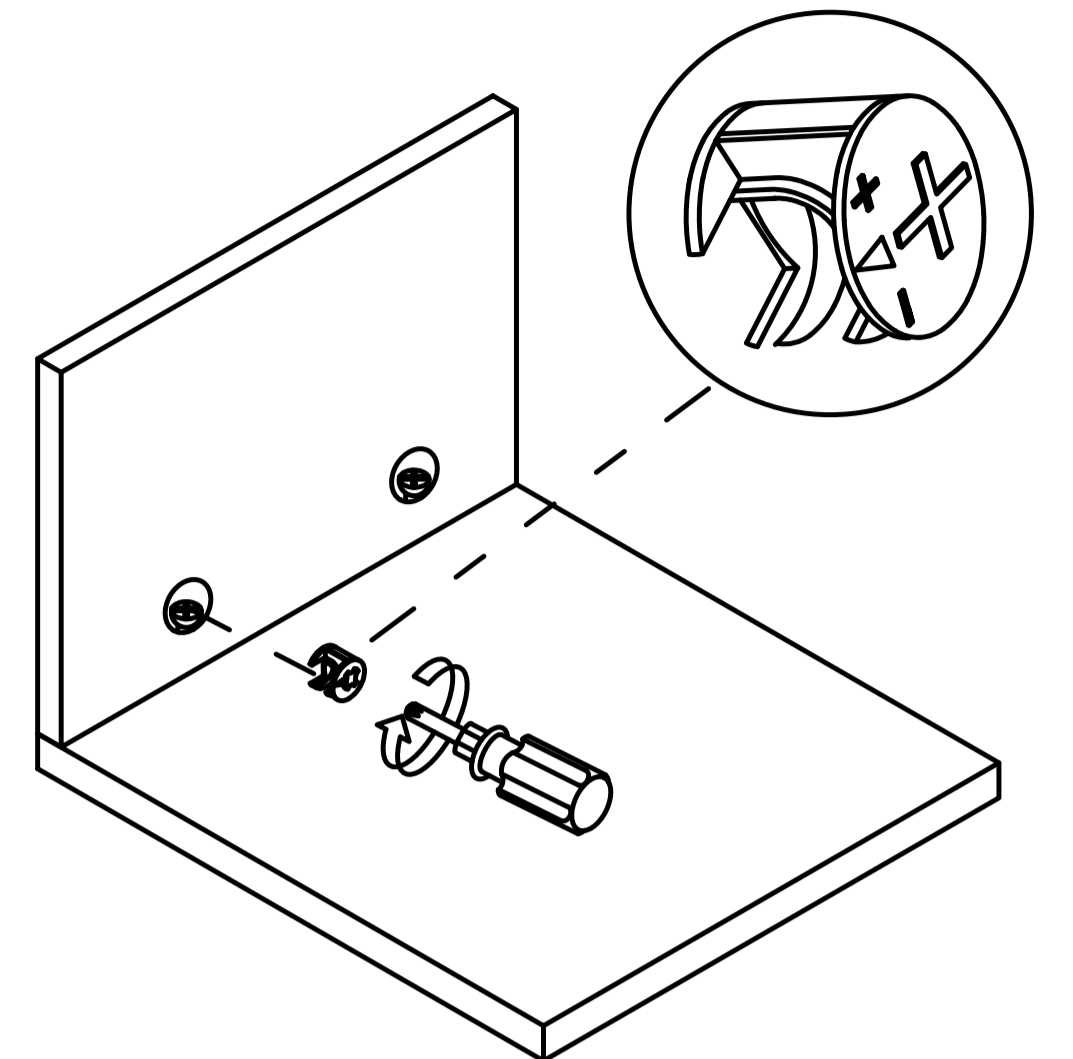
Step 1



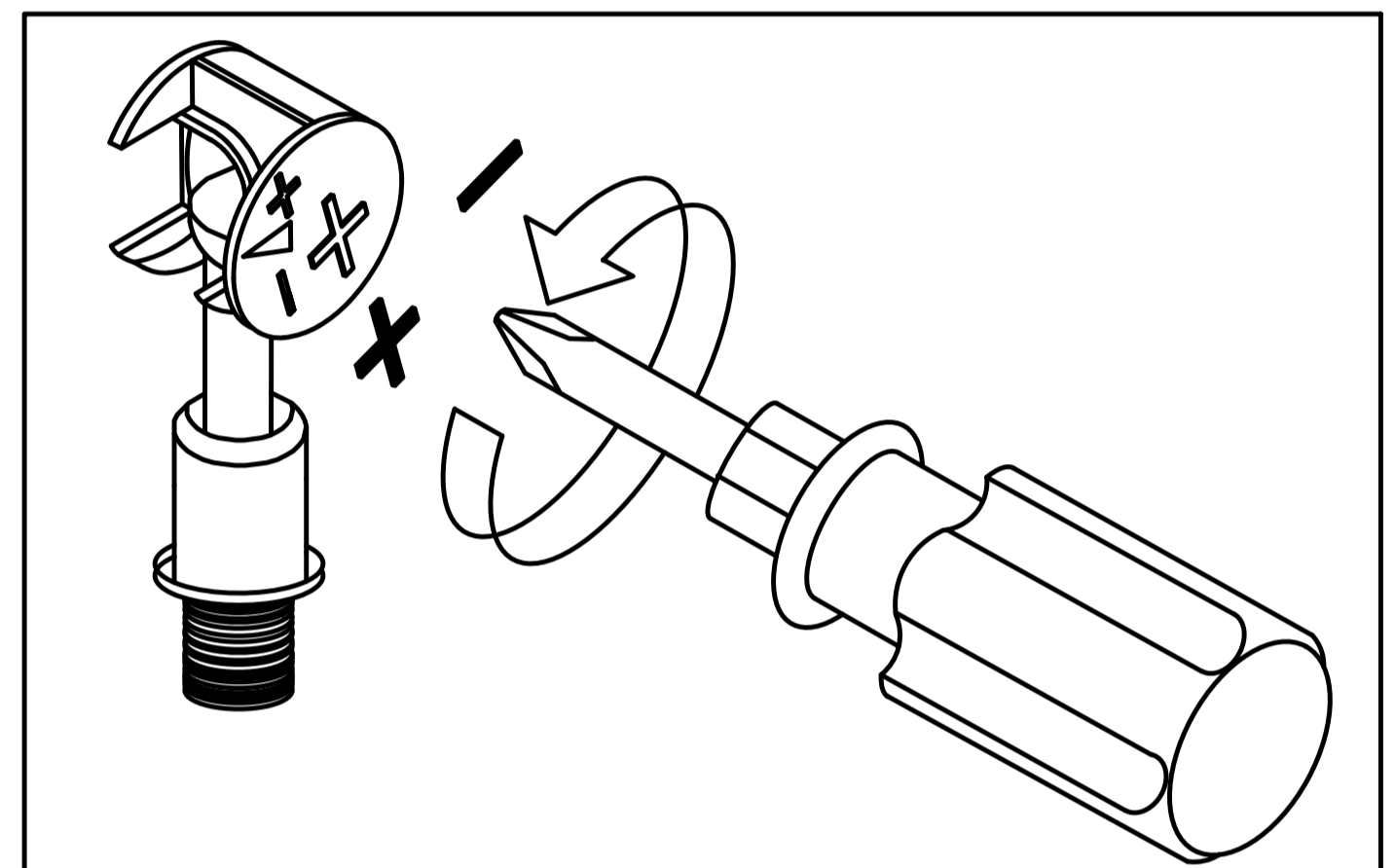
Step 2



Step 3

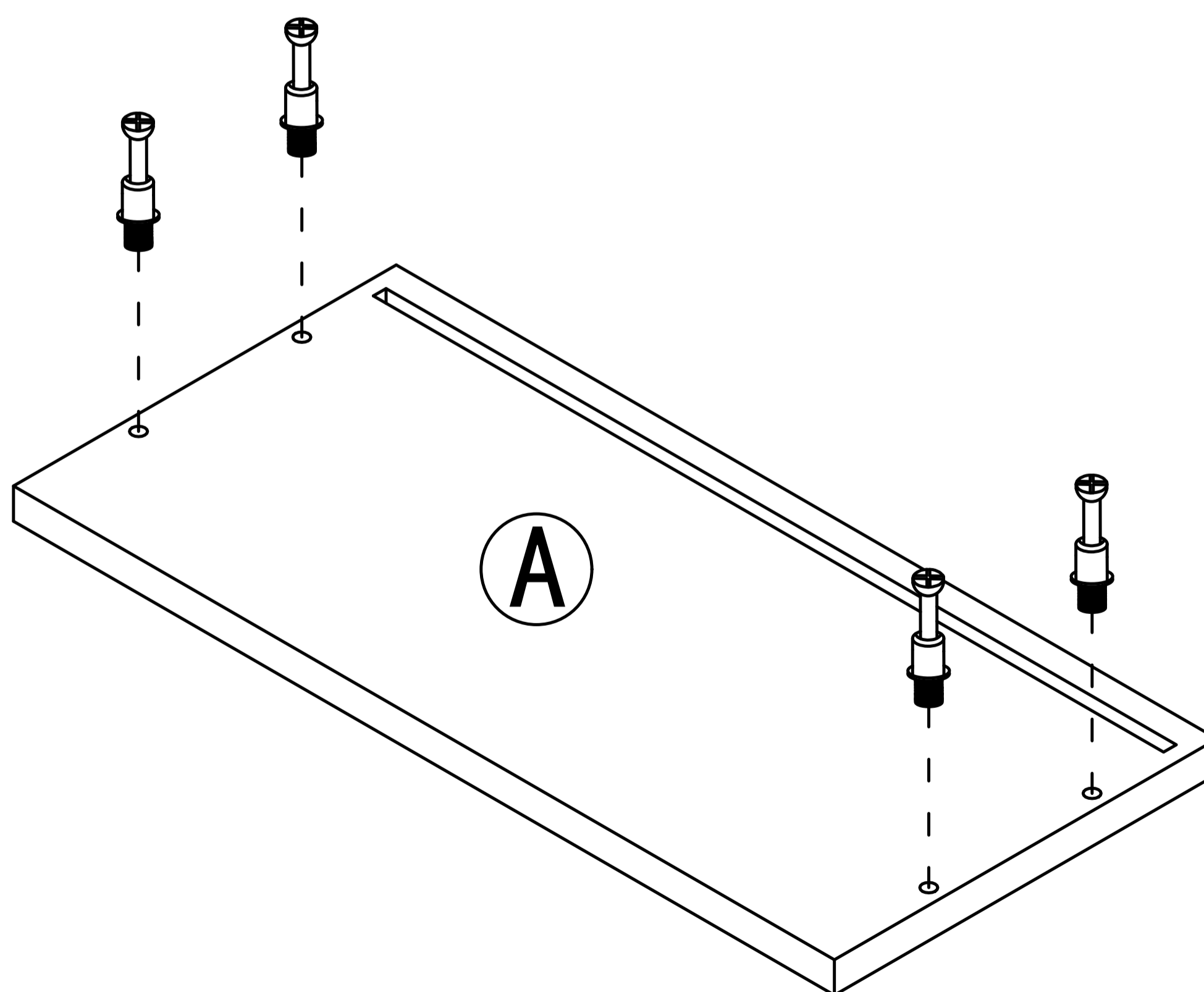
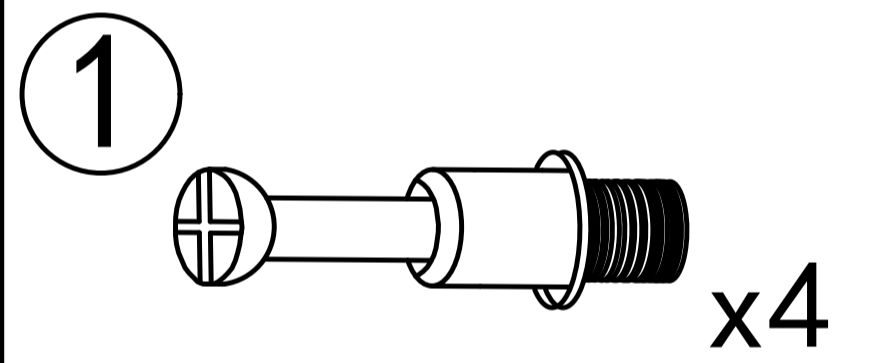


Use a screwdriver to lock in the direction of the "+" sign

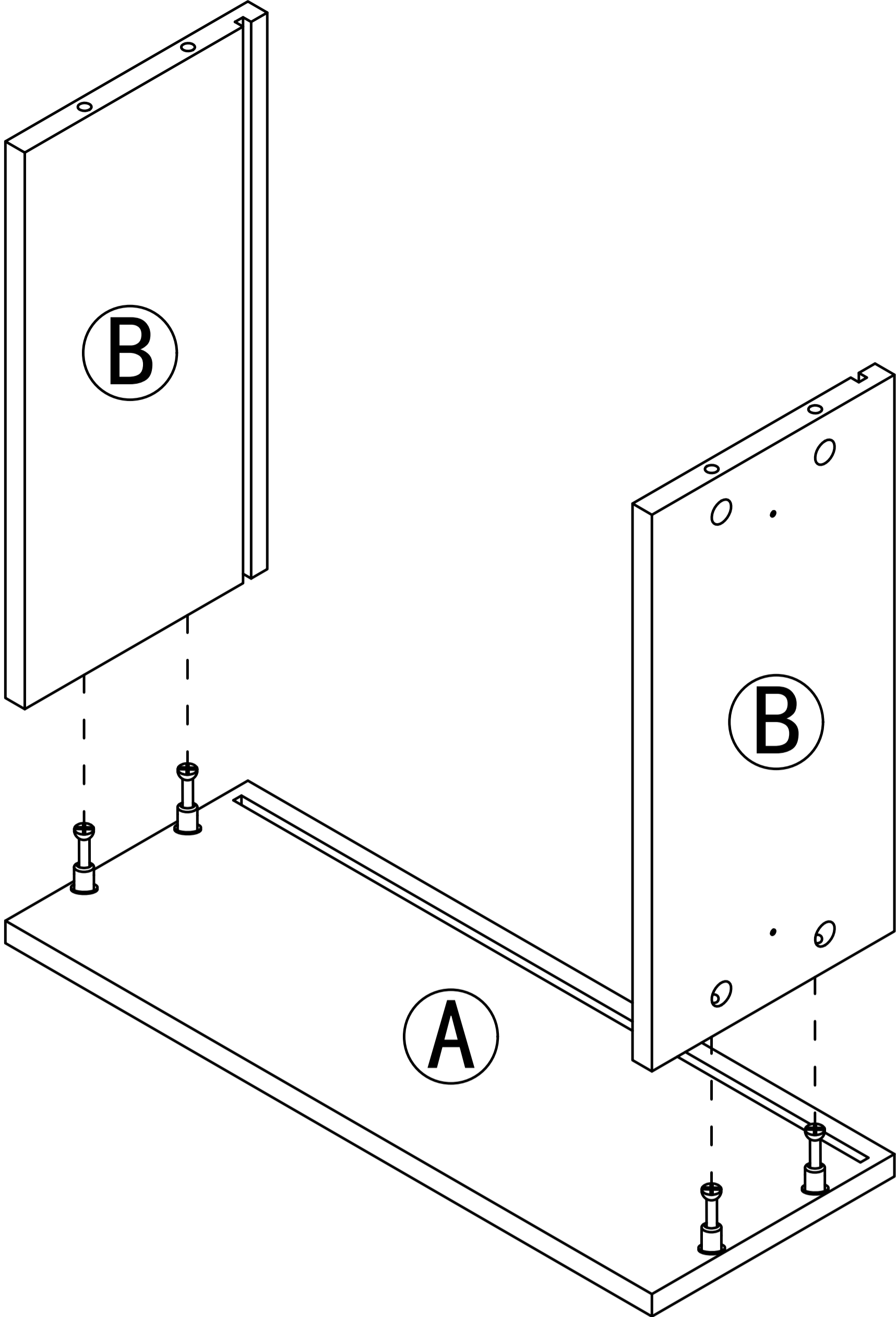


Disassemble along the direction of "-" sign

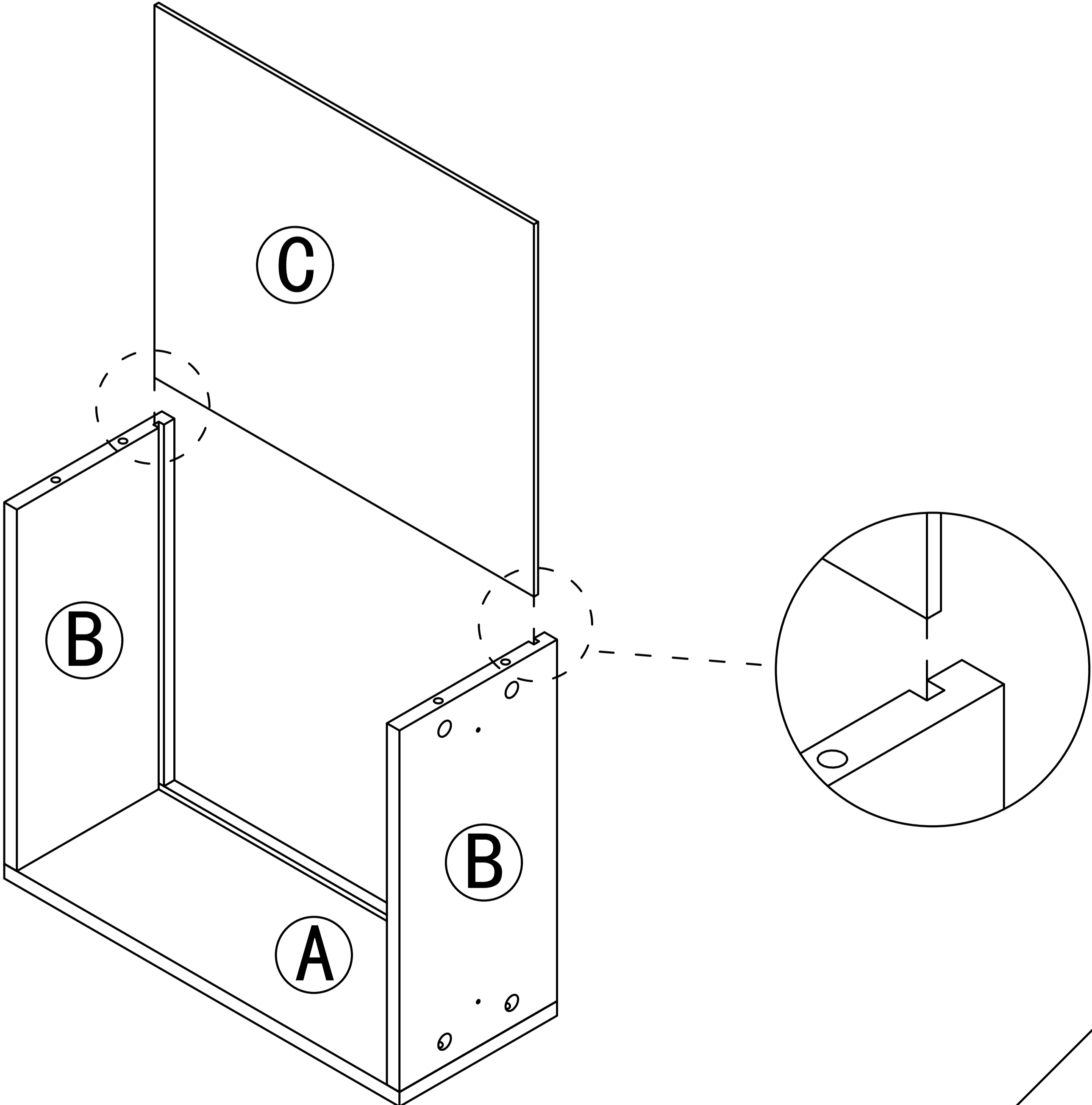
Step 1



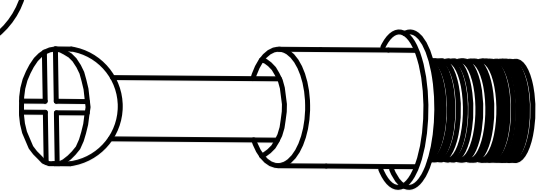
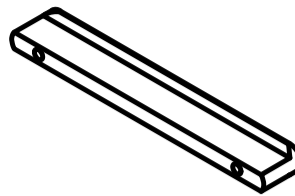

Step 2

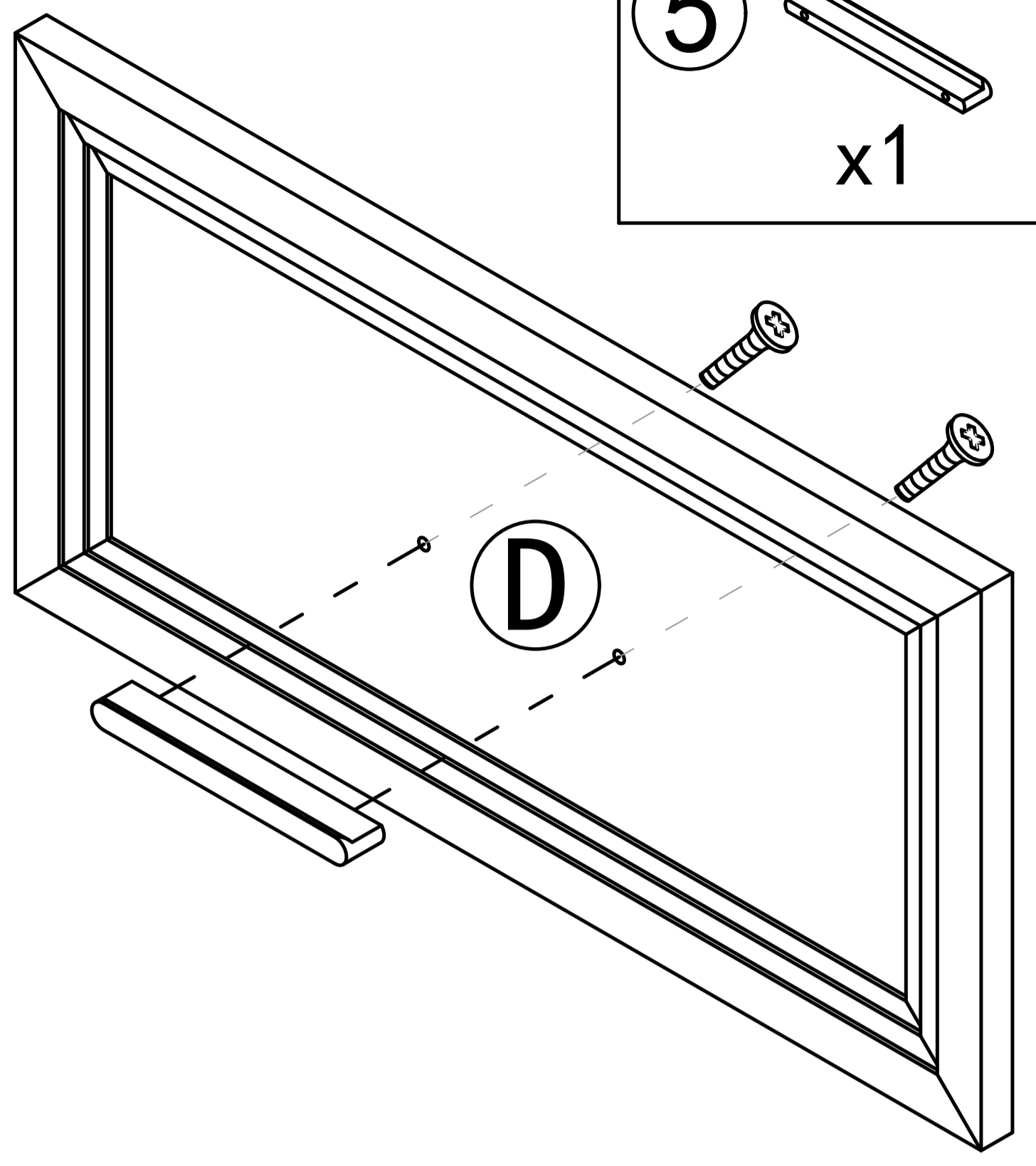
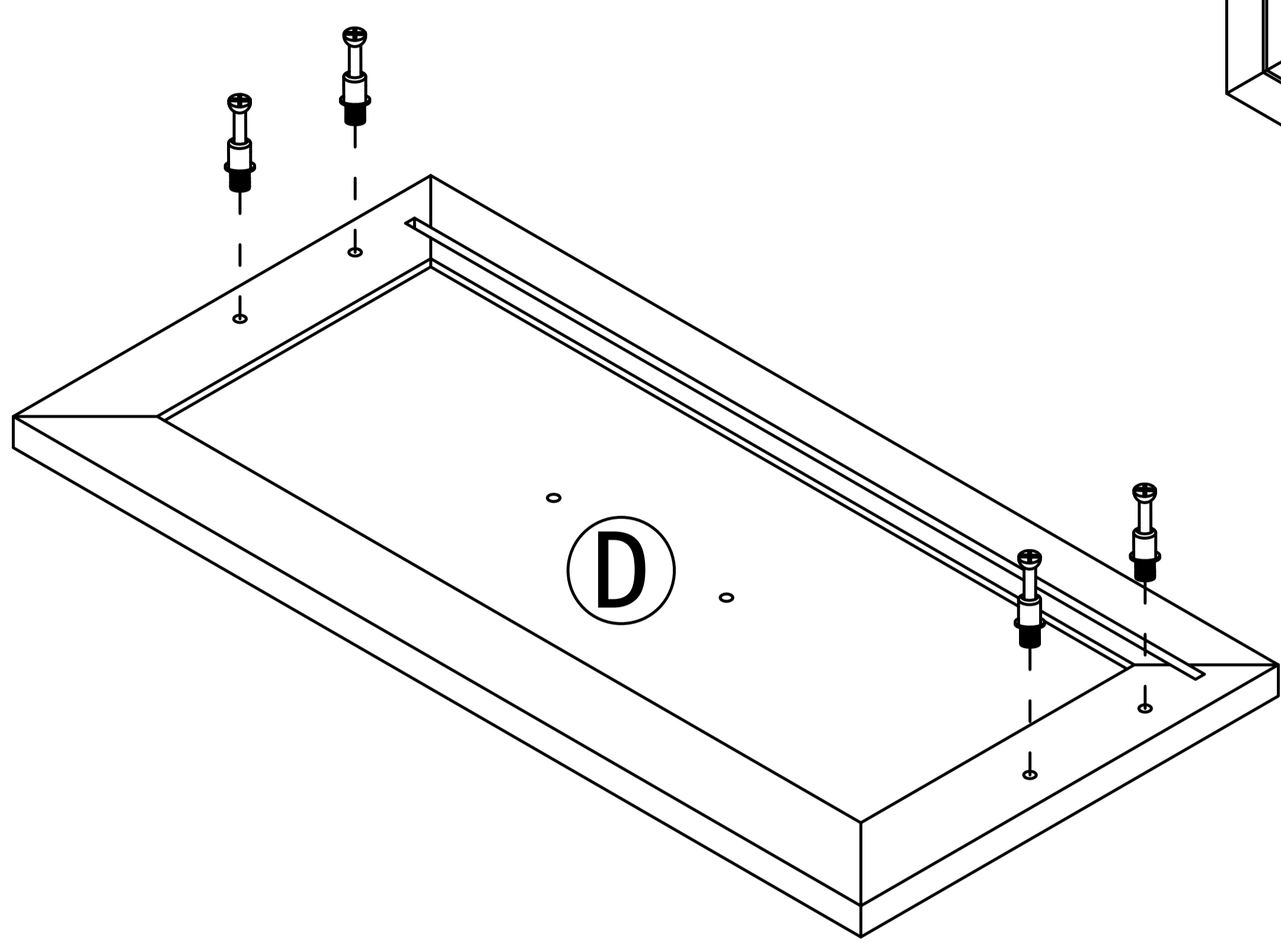


Step 3

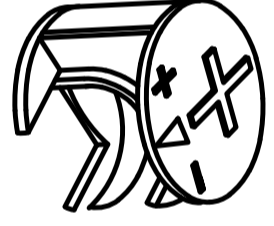


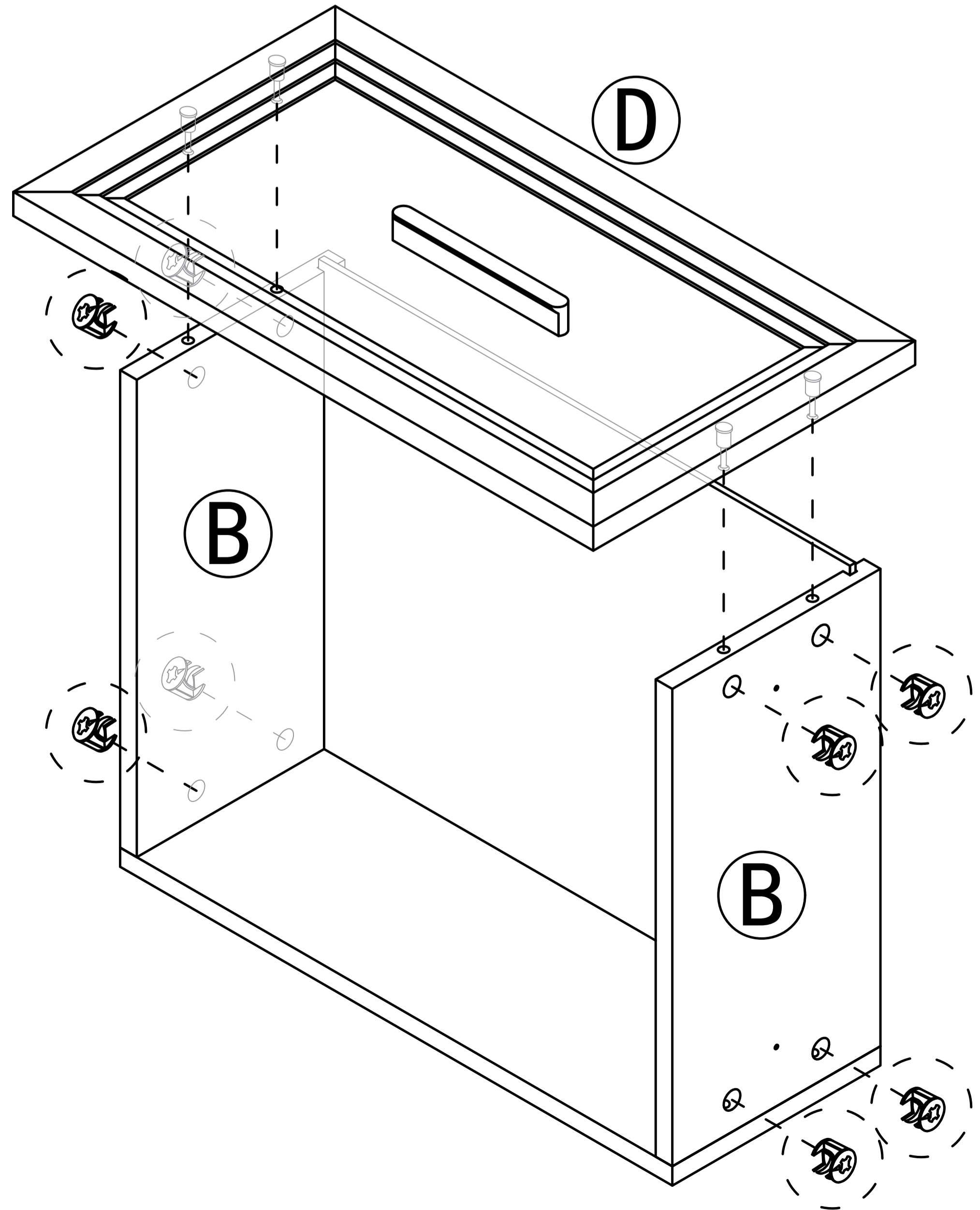
Step 4

- 1  x4
- 5  x1  x2

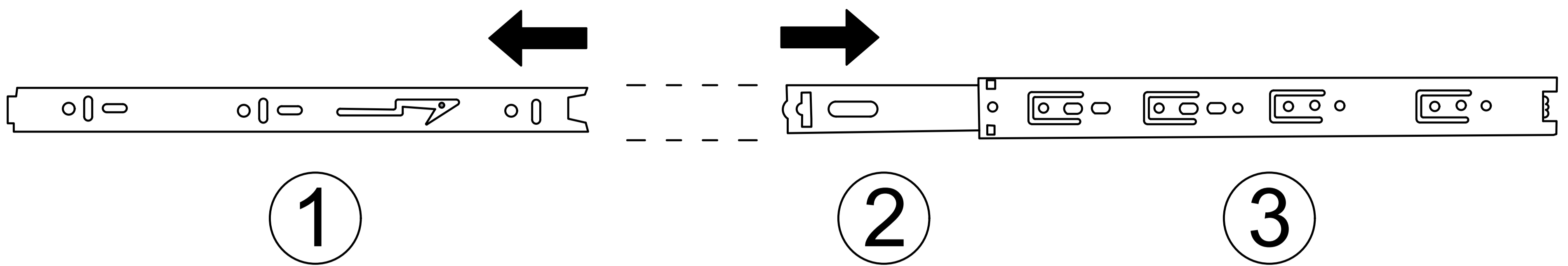


Step 5

- 2  x8

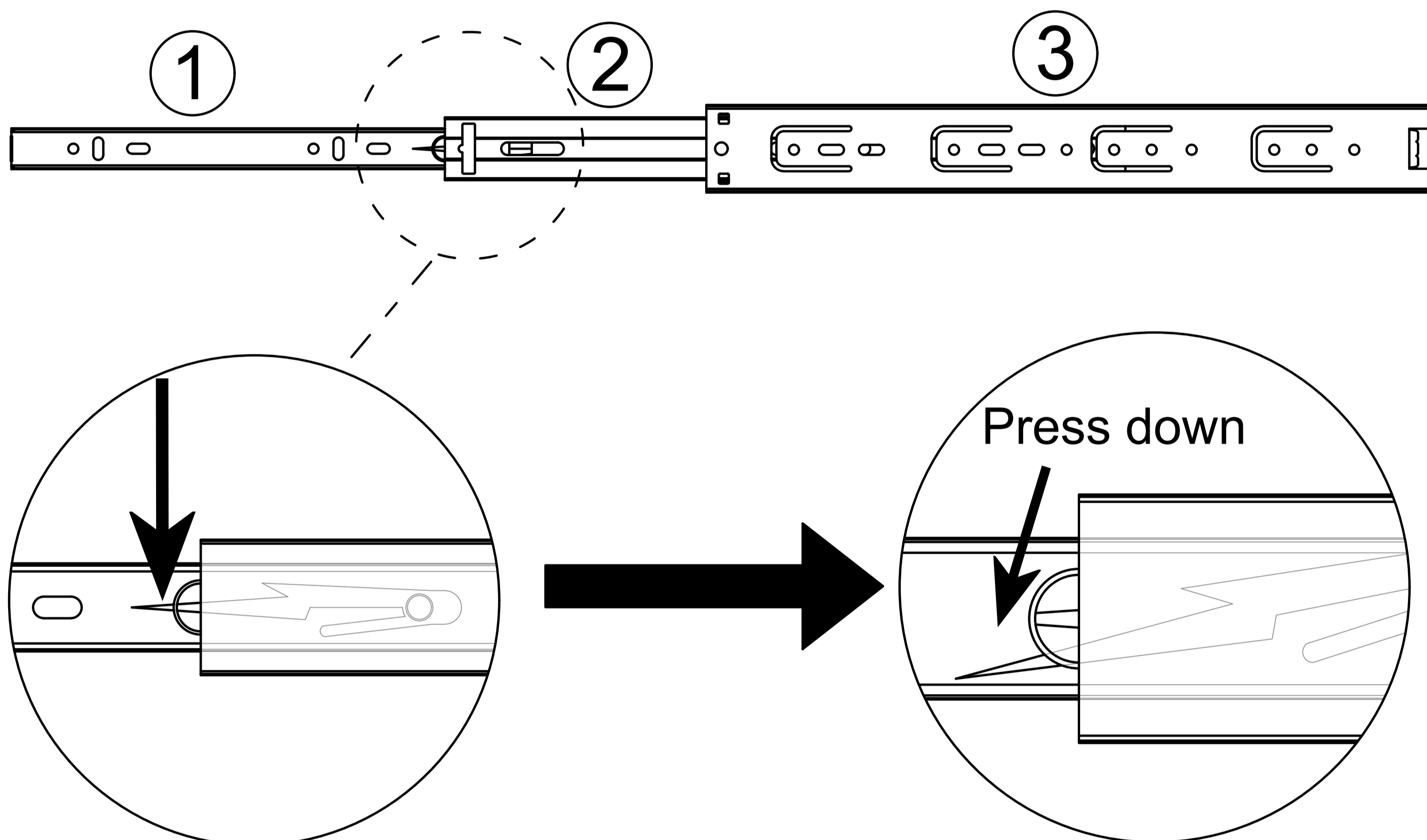


Drawer rail breakdown diagram



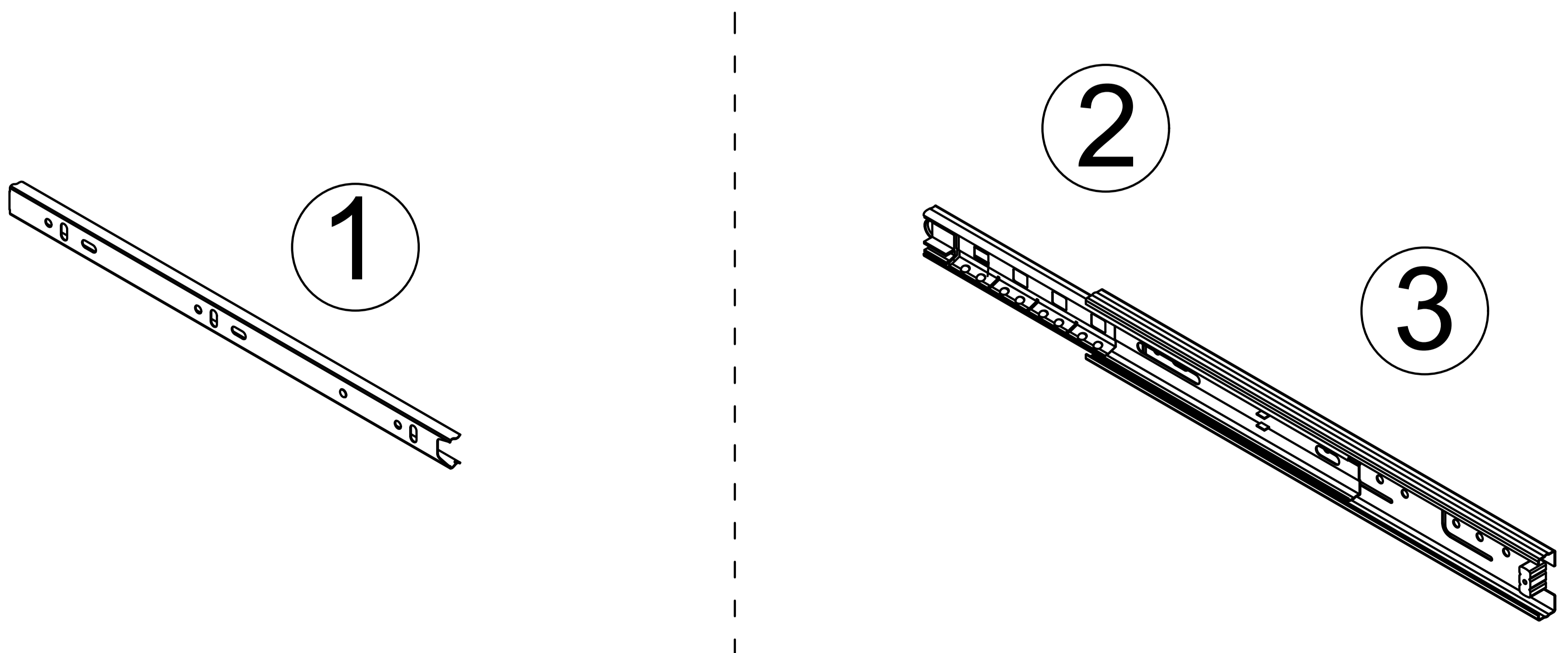
① Dismantle the schematic diagram

Step 1 : Pull the rails apart



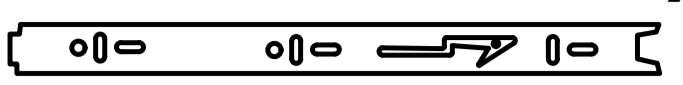
Step 2 : Press the nylon button and pull out ①.

Drawer rail decomposition completed schematic diagram

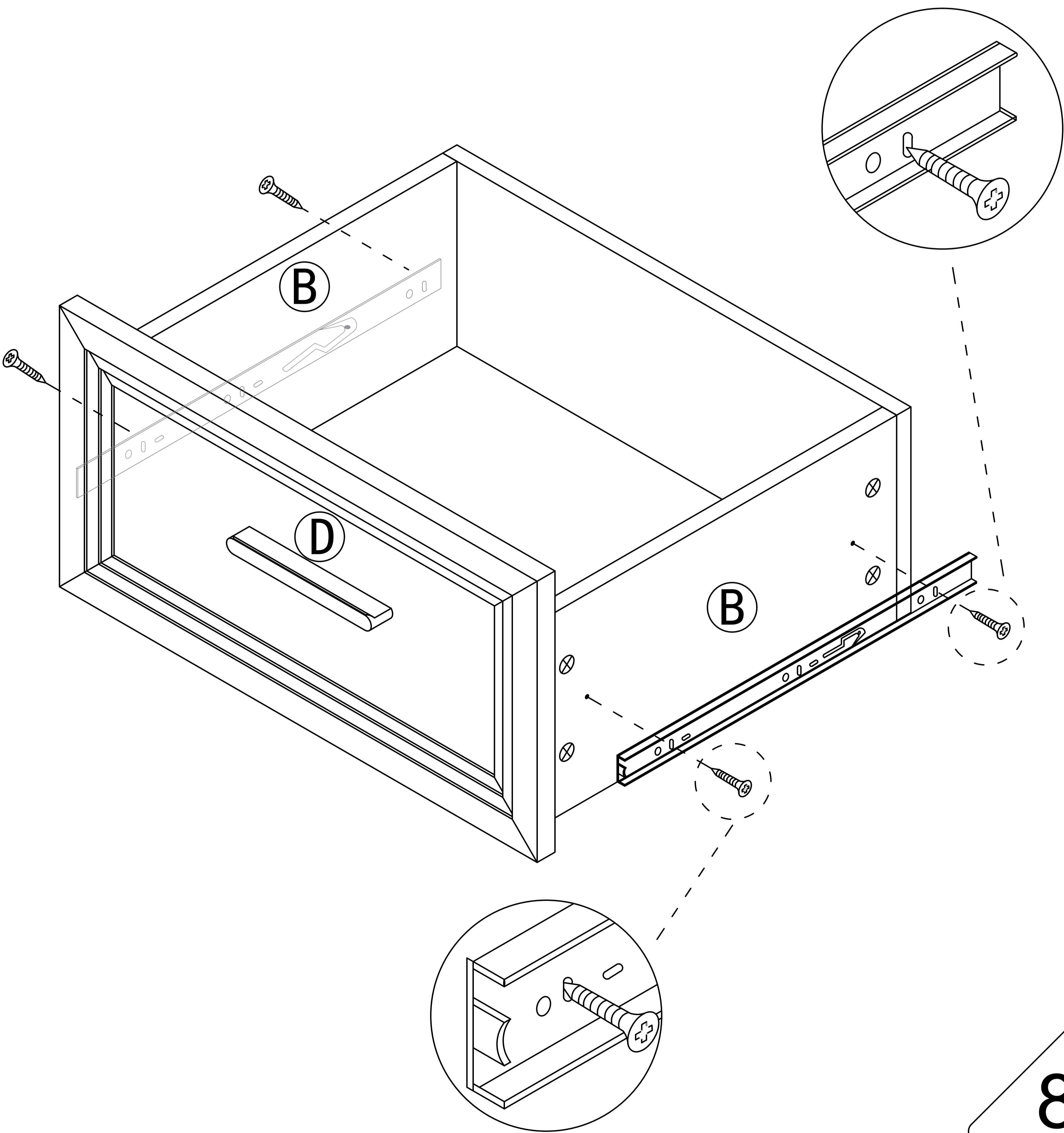
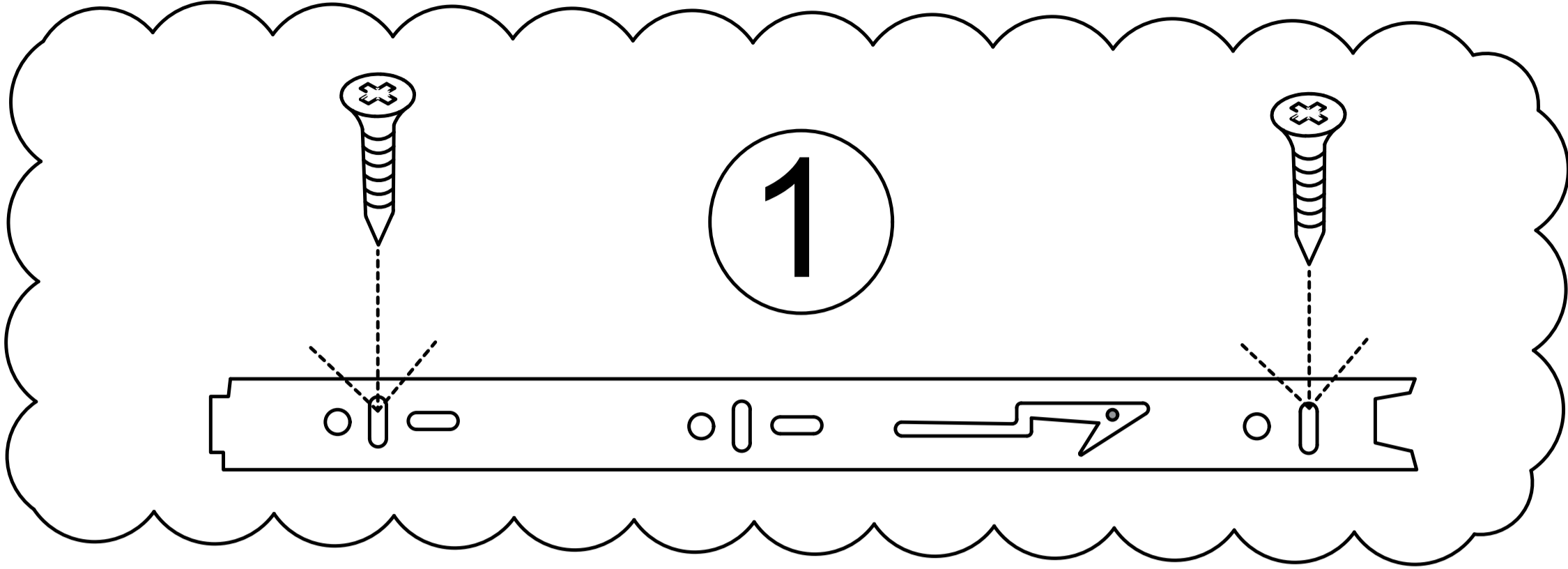
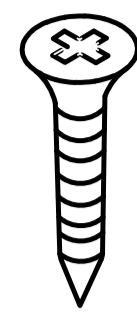


Step 6

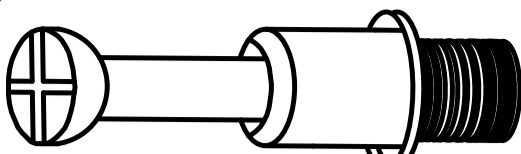
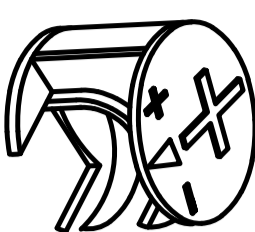

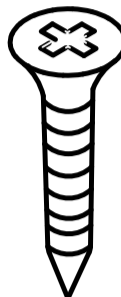
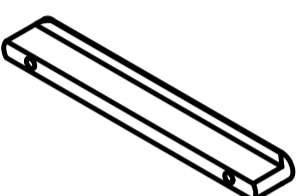

4 x2

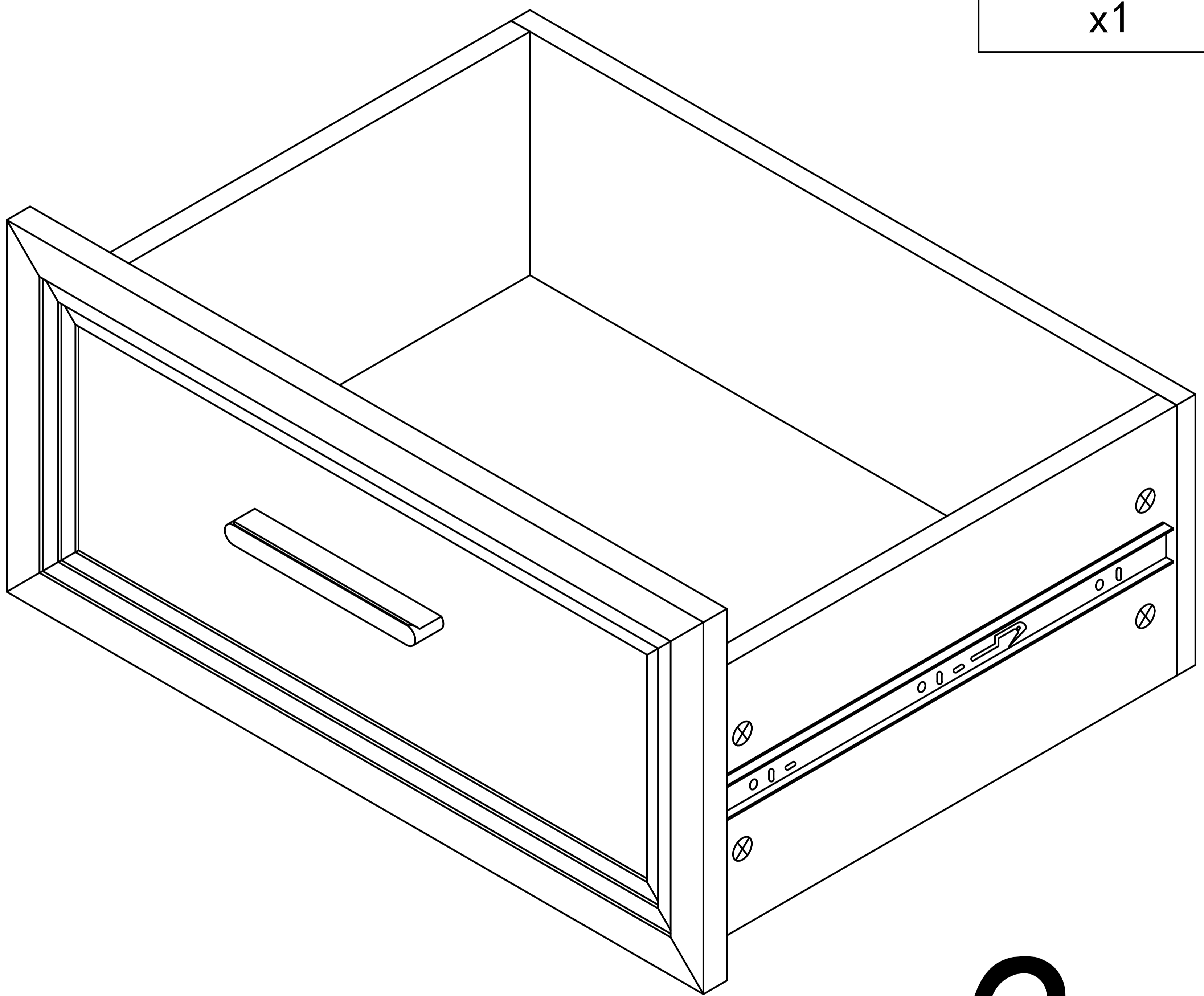


x4

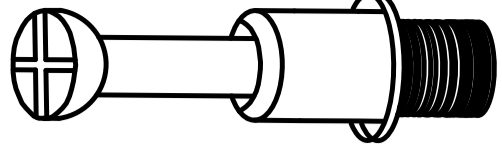
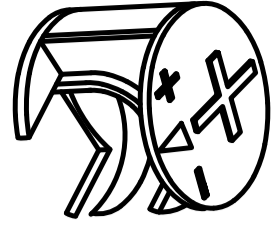

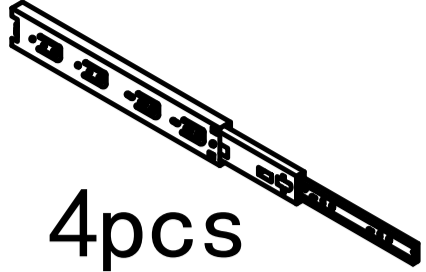
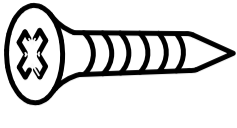
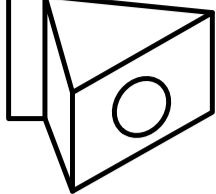
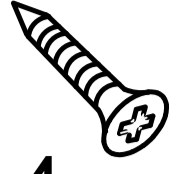
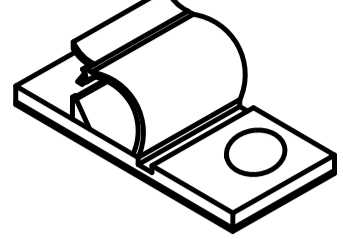

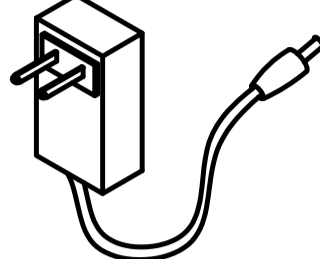


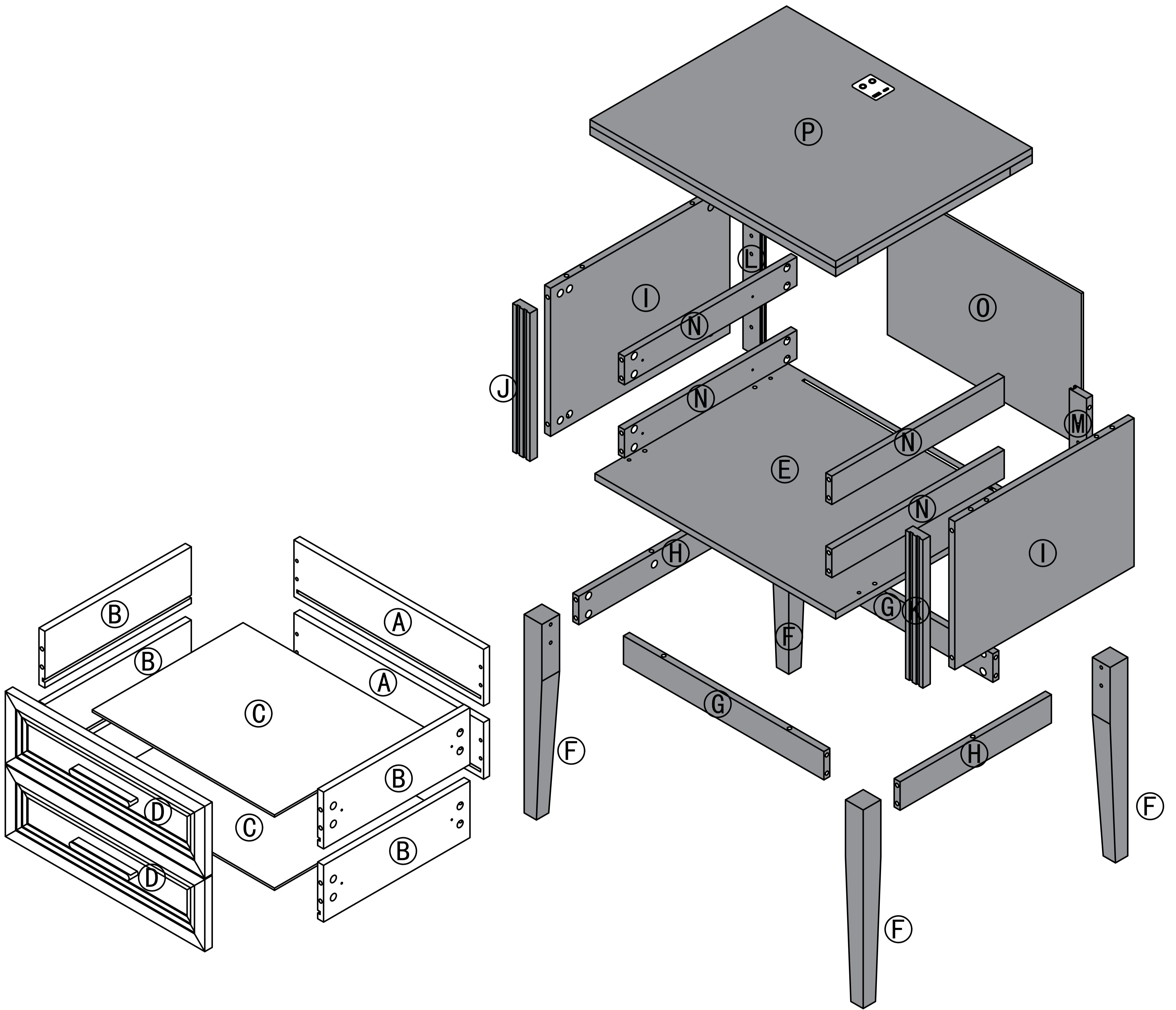
Step 7

- ①  x8
- ②  x8
- ④  x2  
 x4
- ⑤  x1      x2

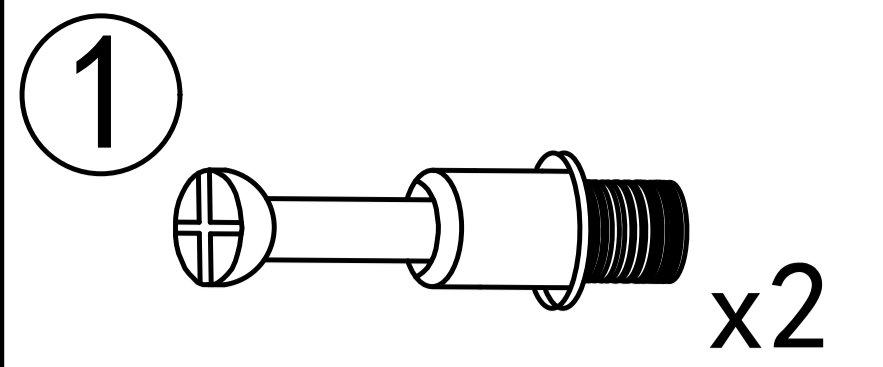
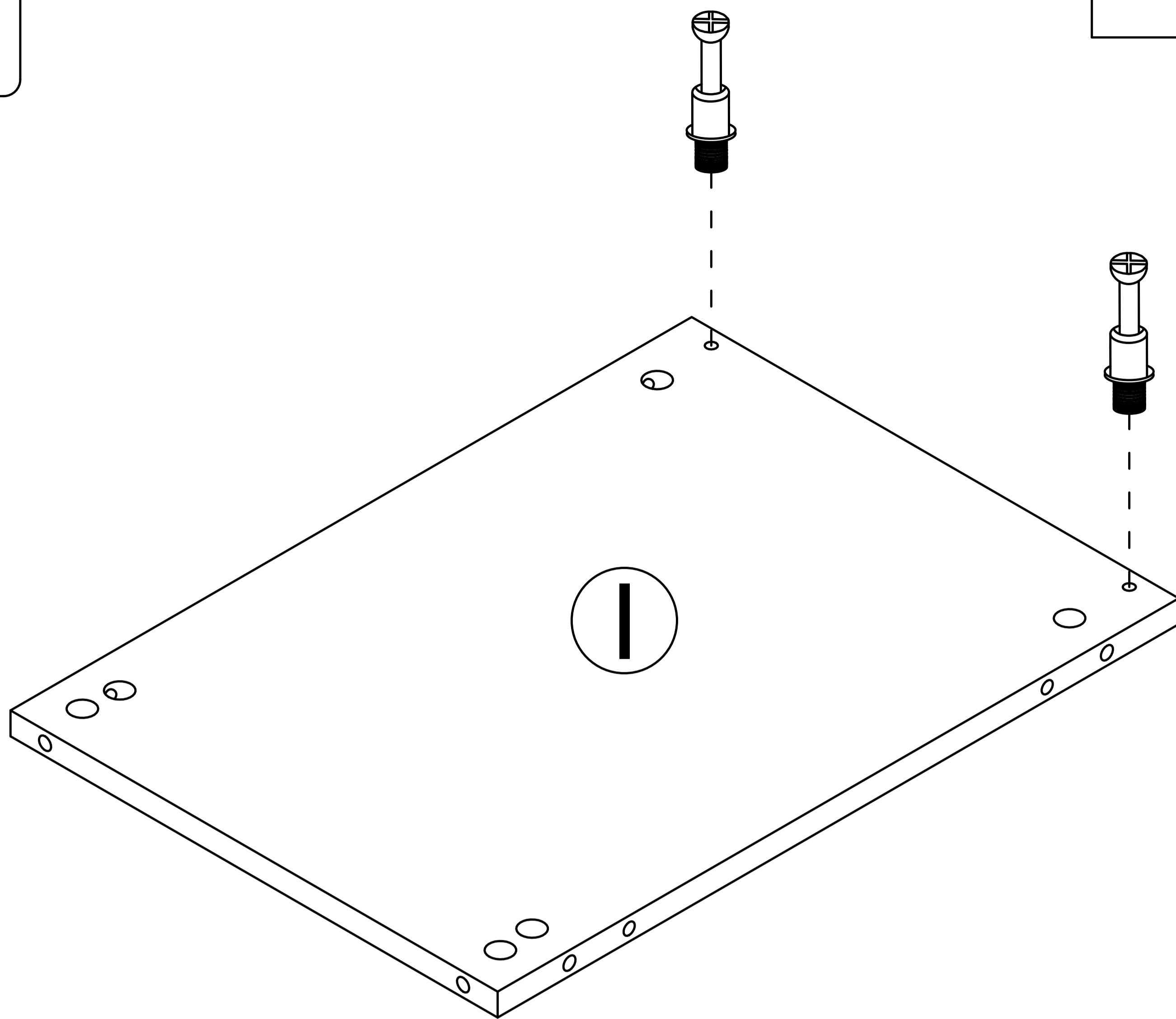


x2

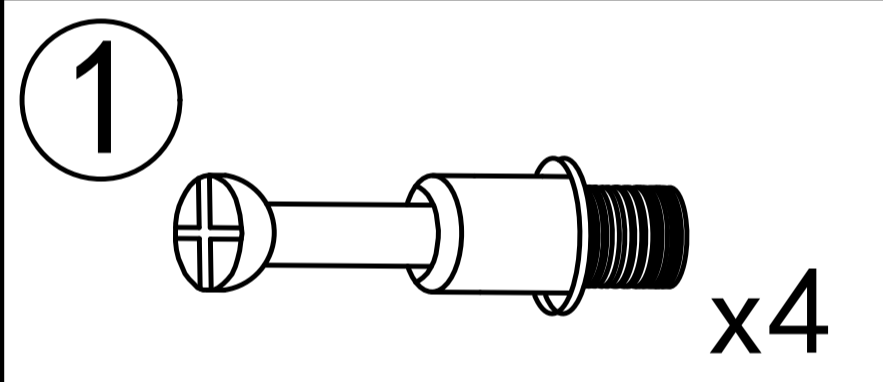
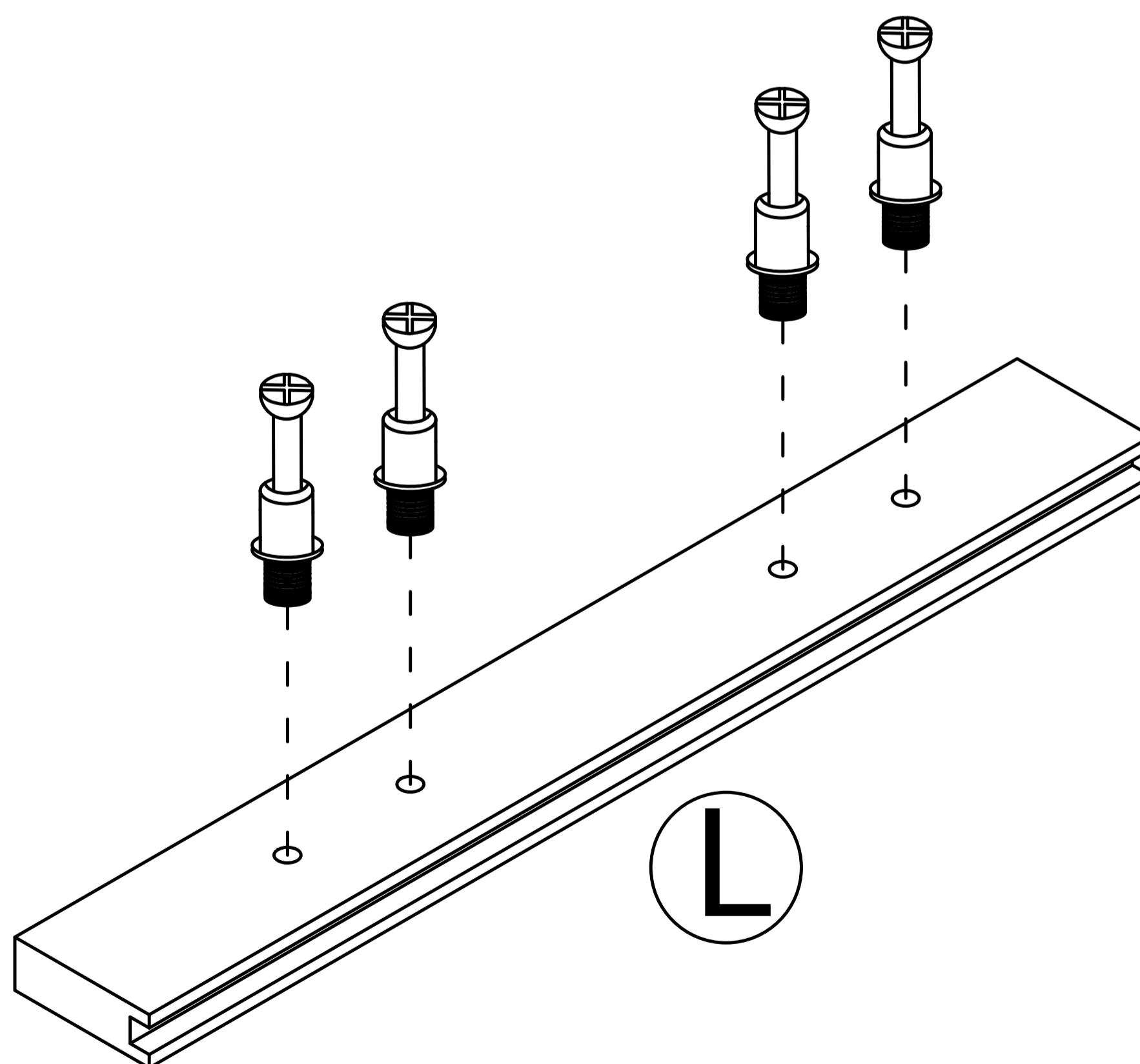
①		54pcs	②		54pcs	③		8pcs
④	 4pcs	 12pcs	⑥	 4pcs	 4pcs	⑦		1pcs
⑧	 4pcs			 1pcs				



Step 8

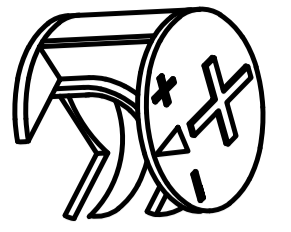


Step 9

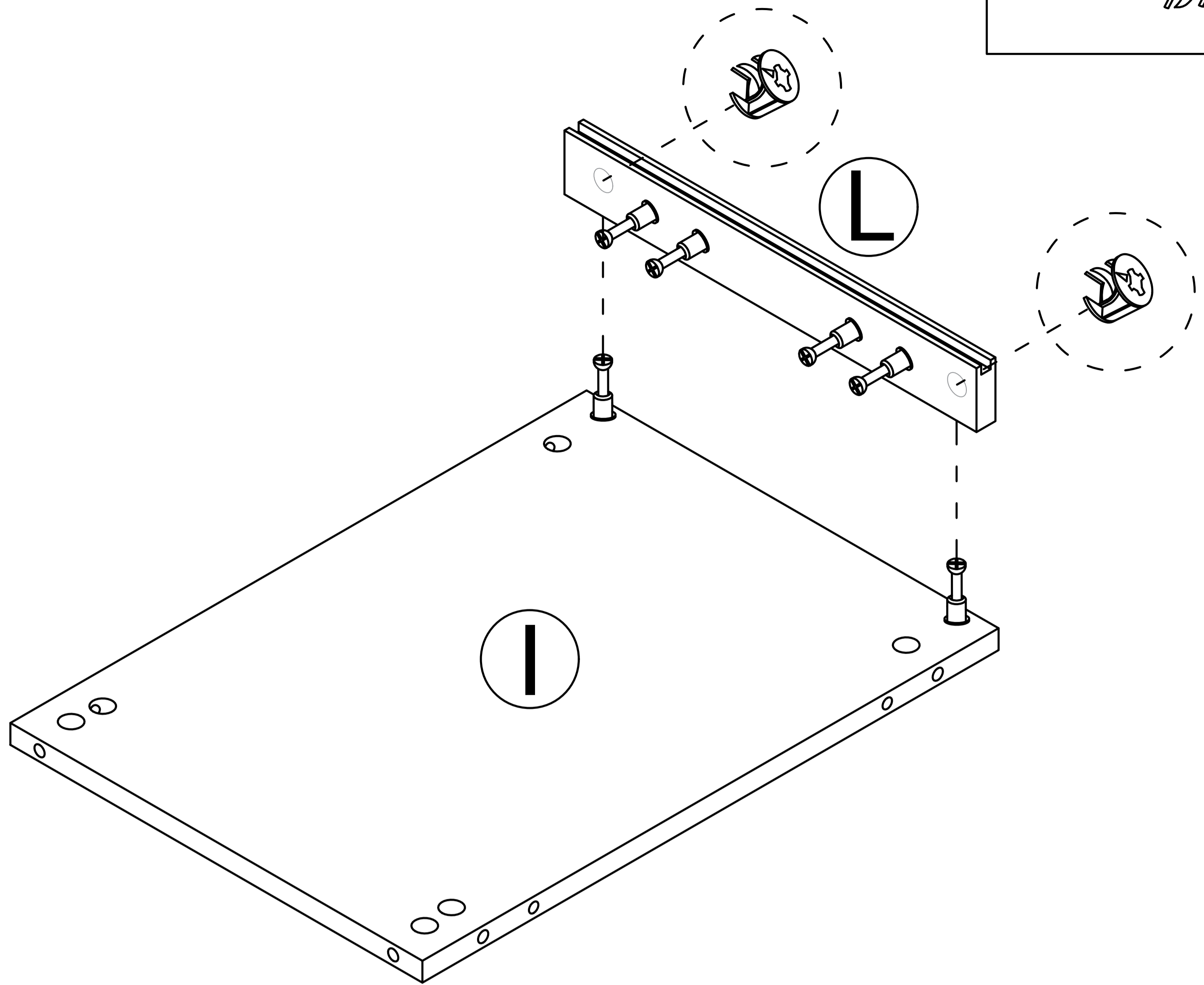


Step 10

2

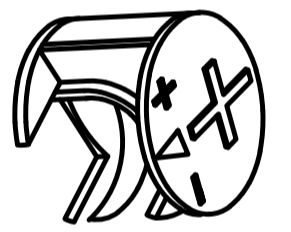


x2

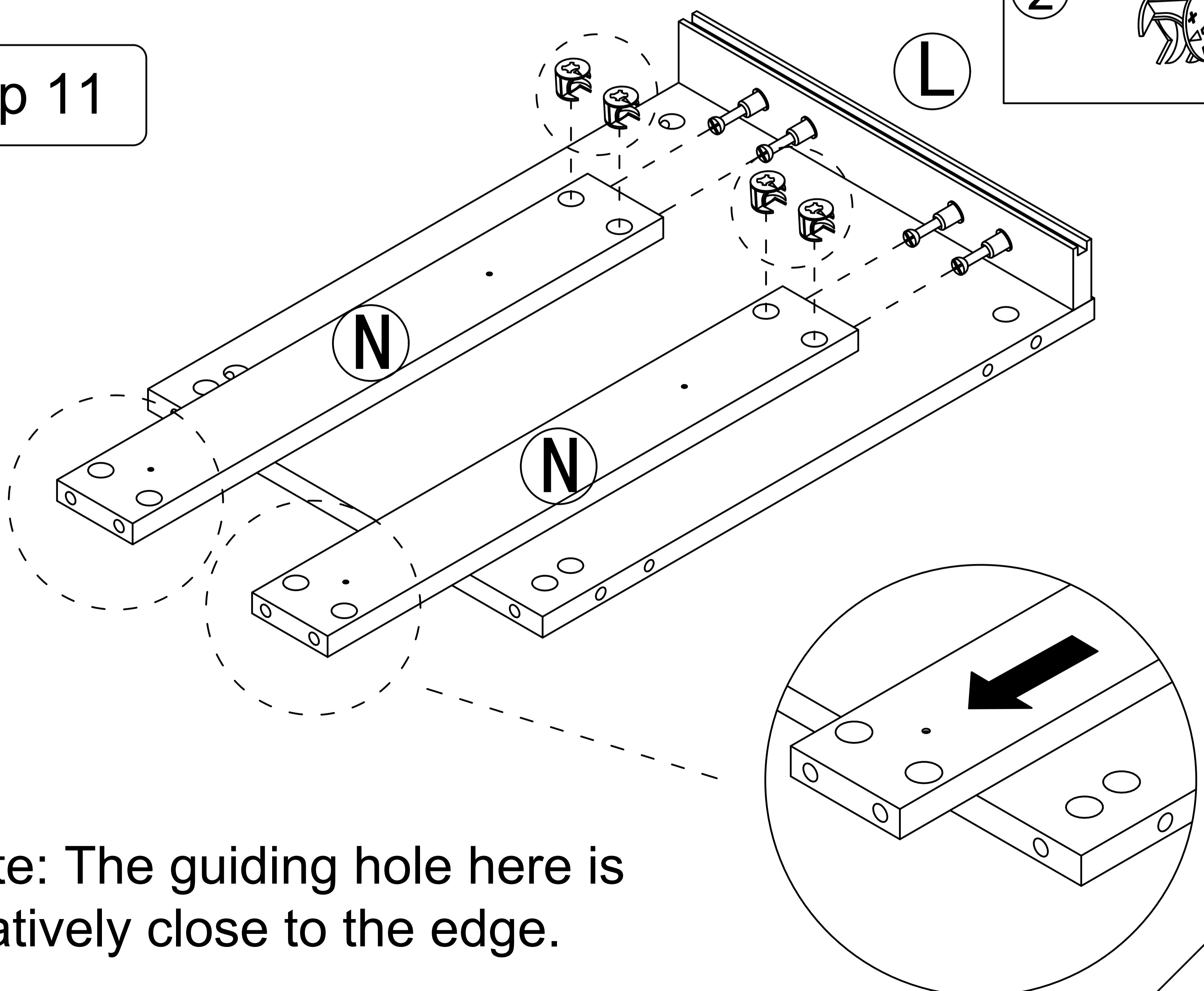


Step 11

2

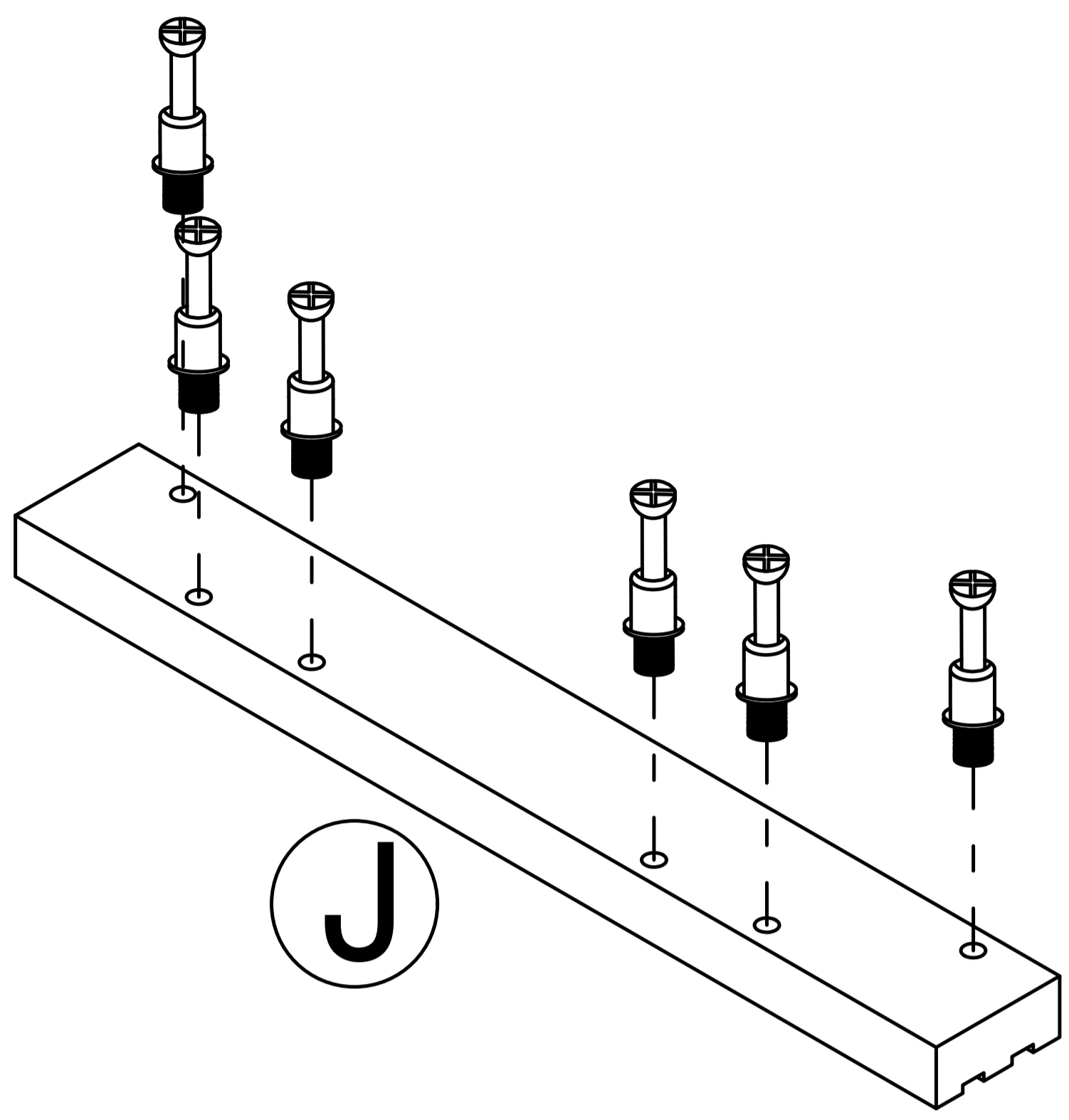
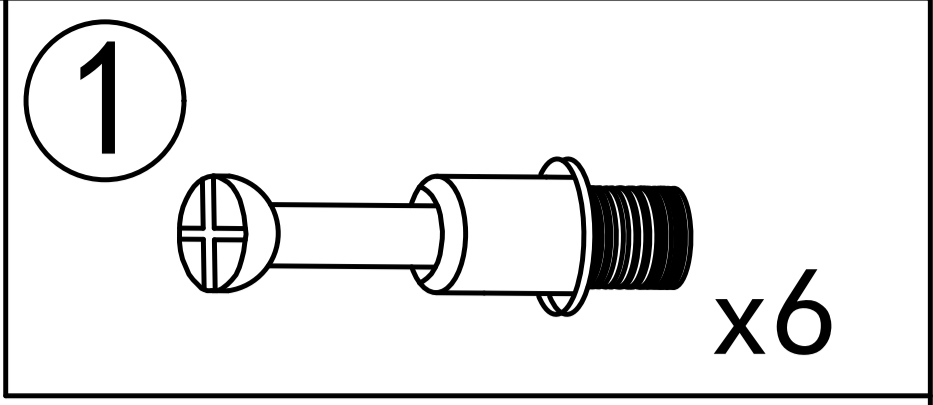


x4

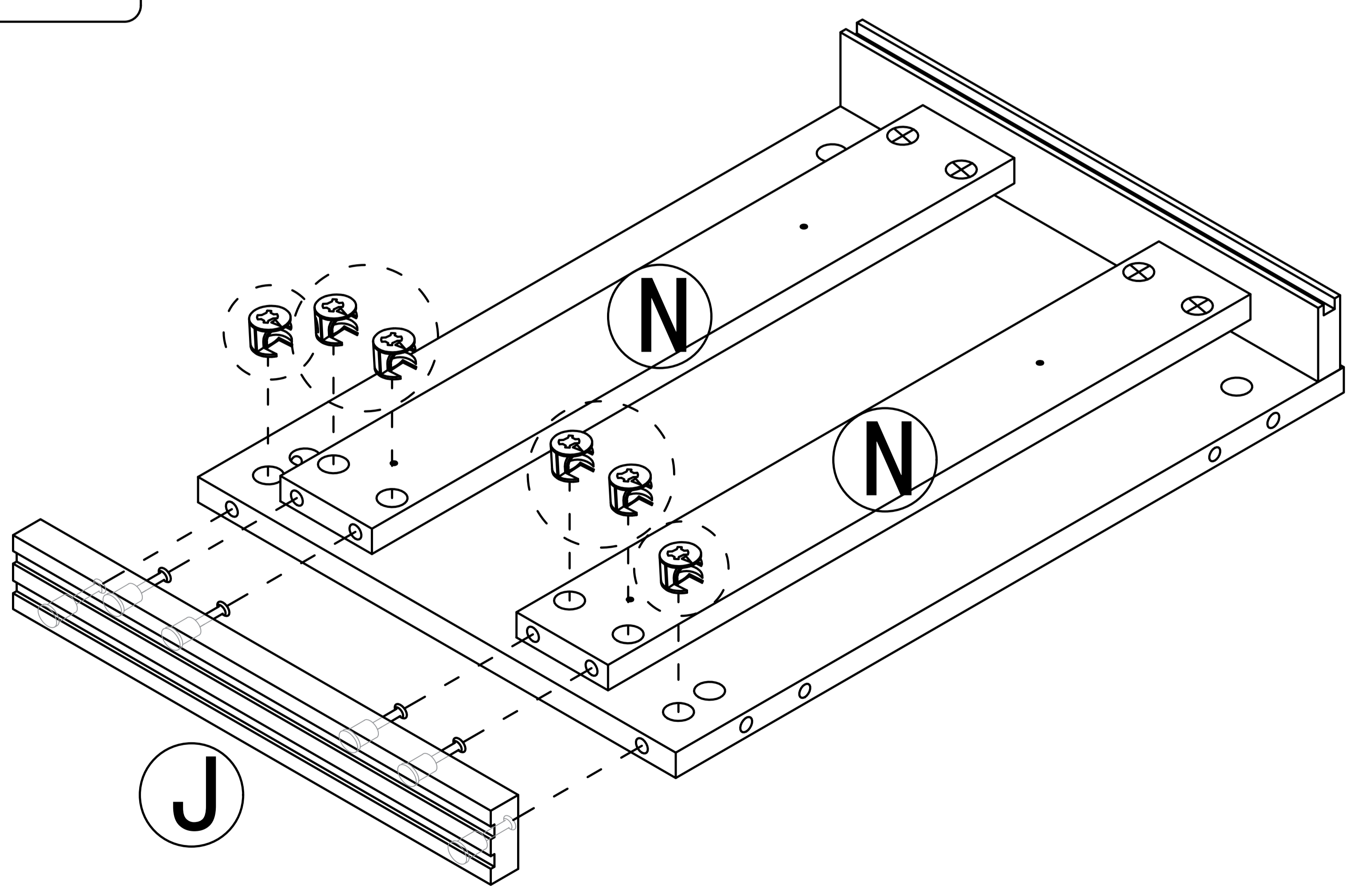
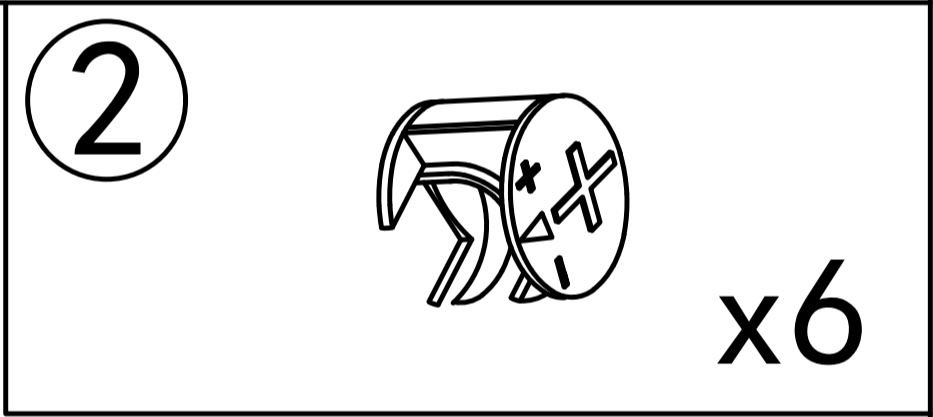


Note: The guiding hole here is relatively close to the edge.

Step 12

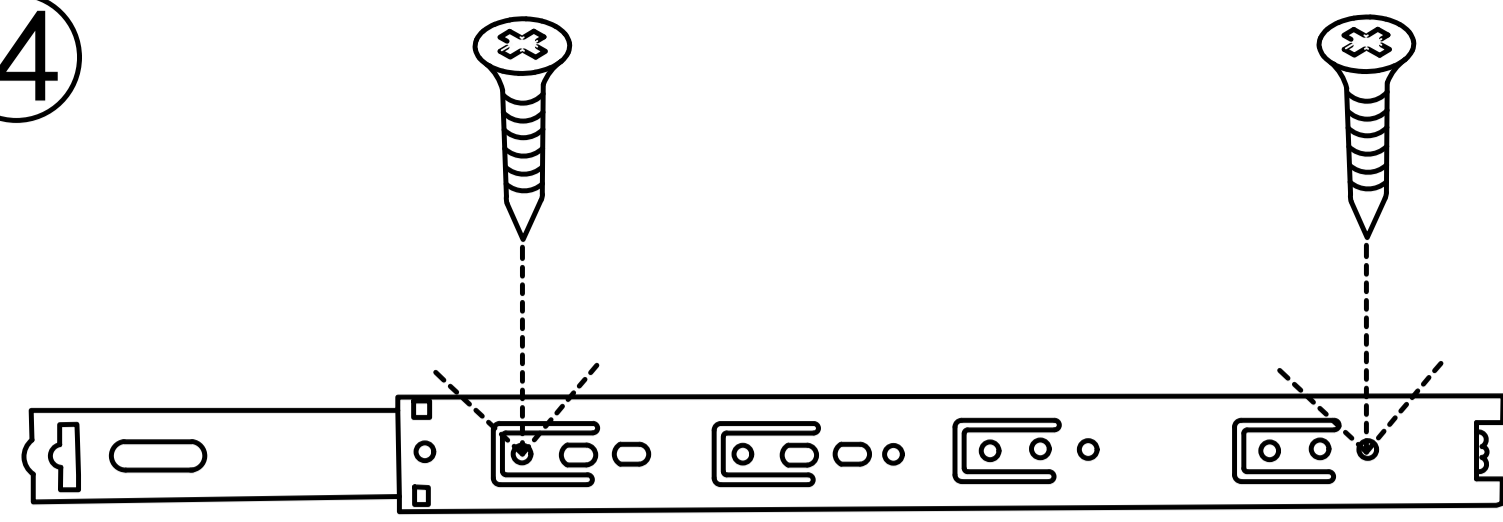


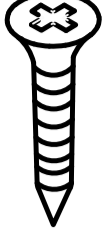
Step 13

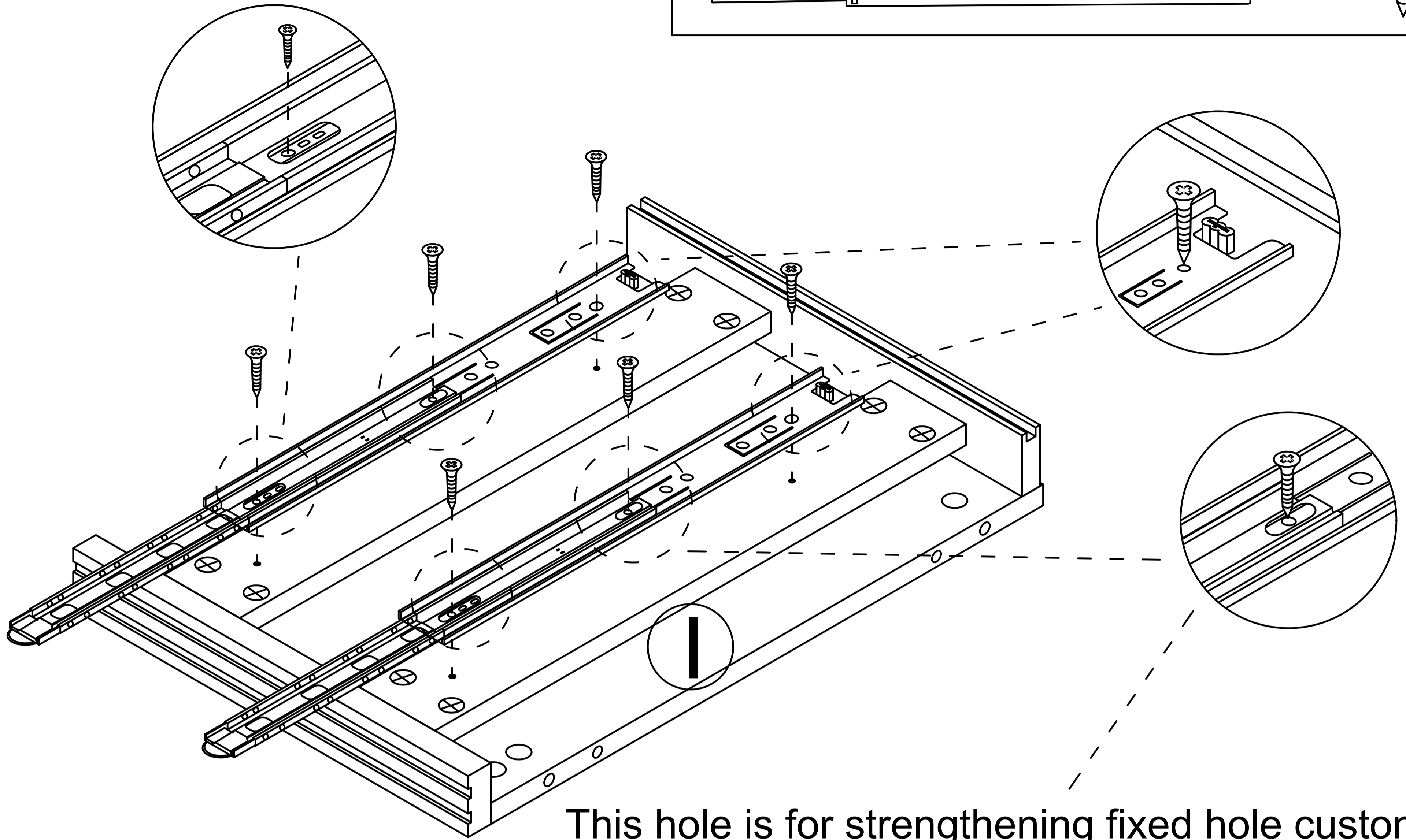


# Step 14

4



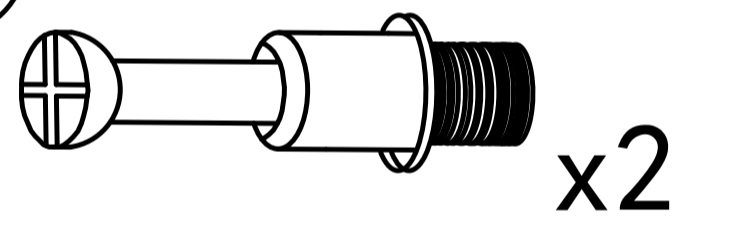
x2  x6



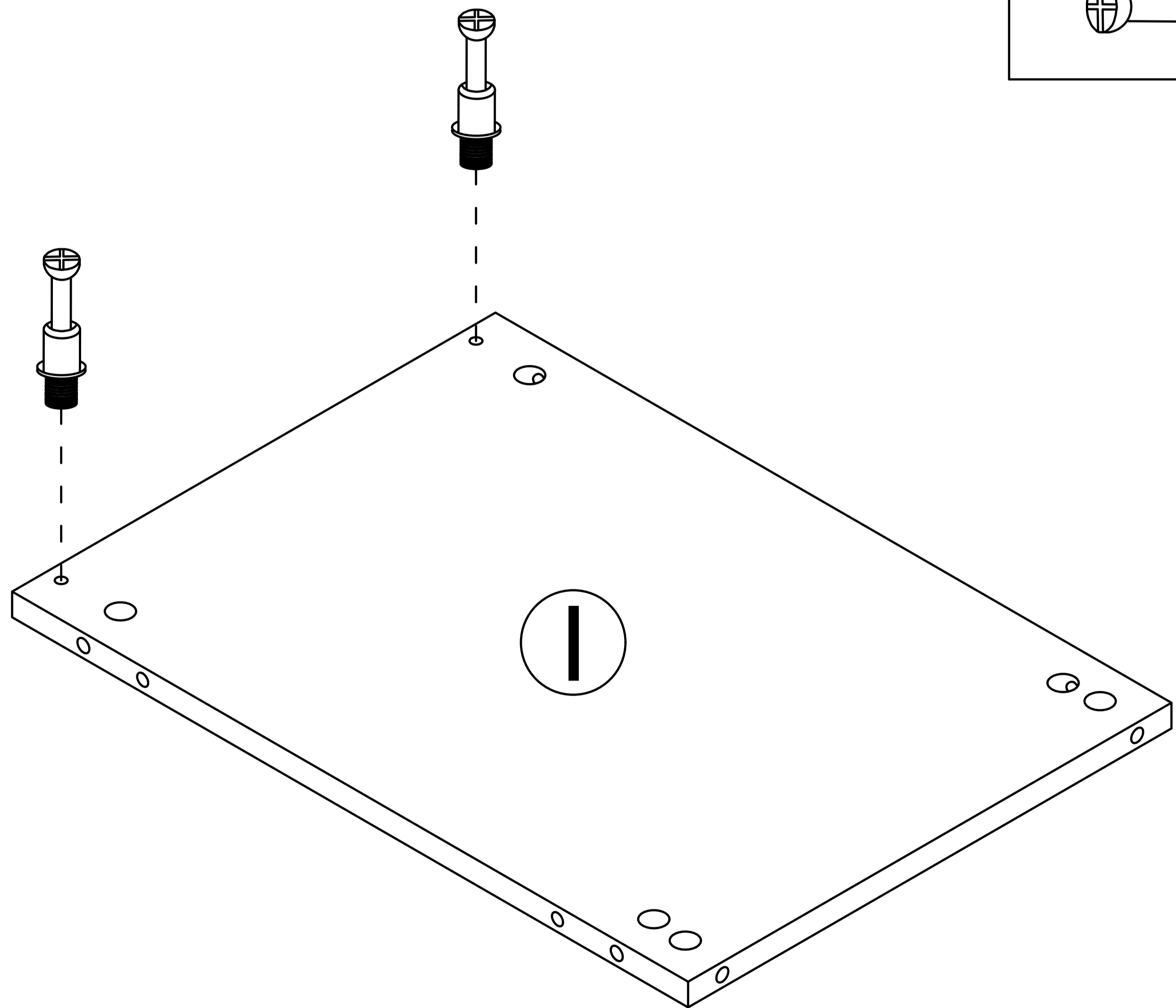
This hole is for strengthening fixed hole customers can choose to install according to their needs.

# Step 15

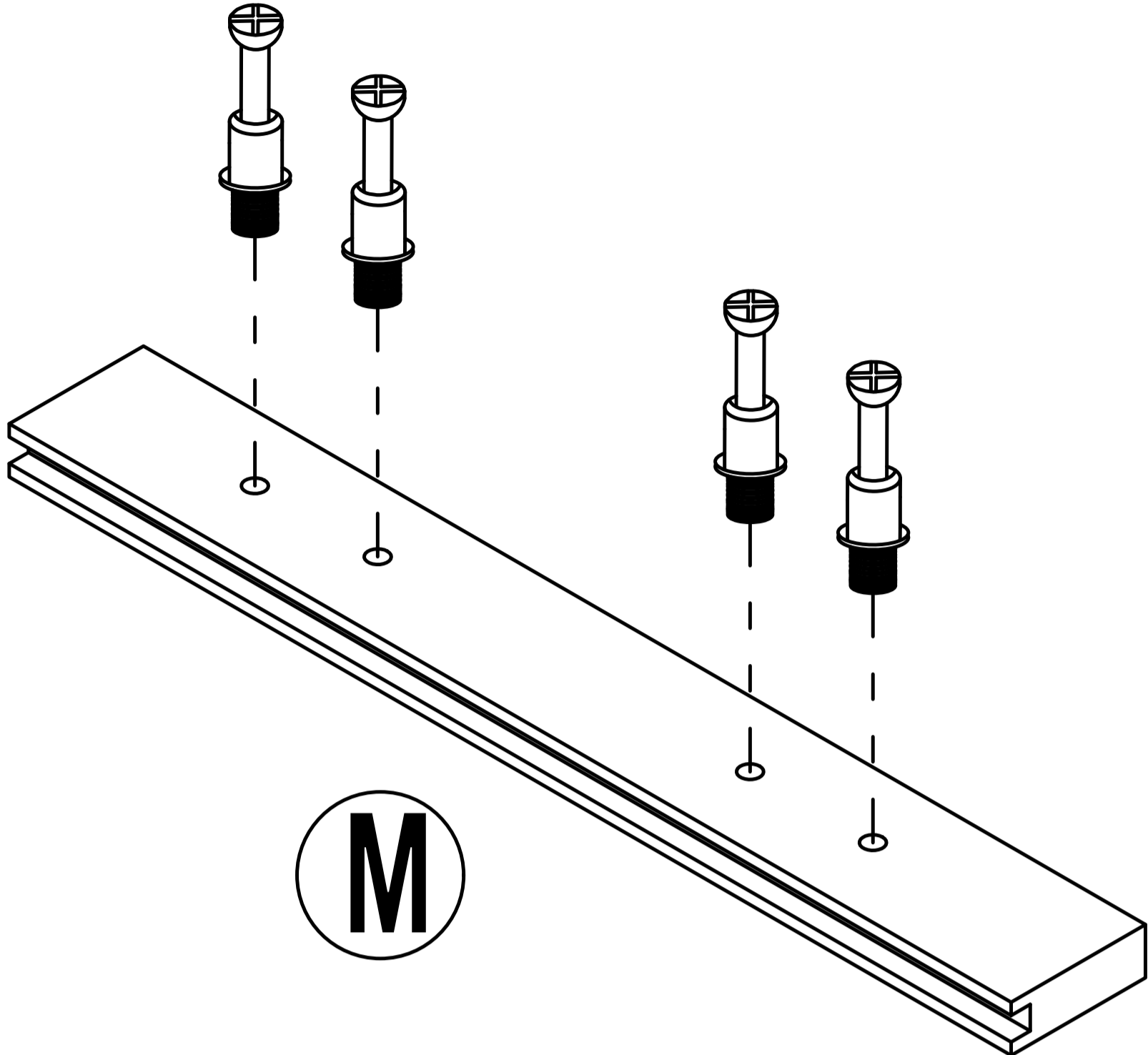
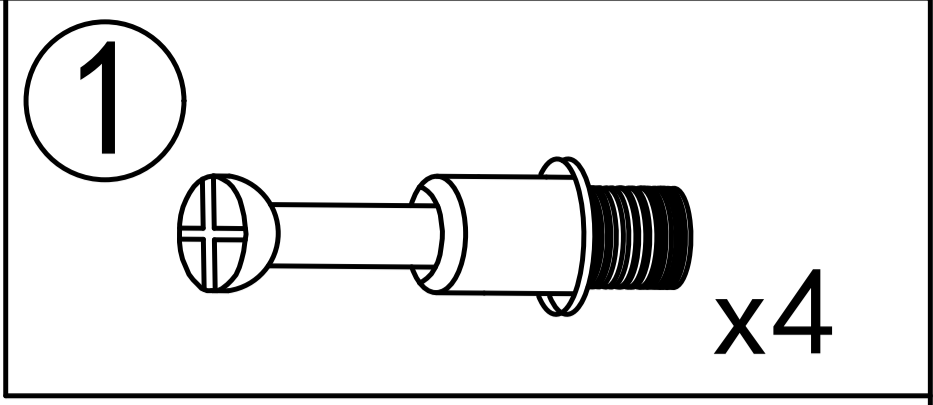
1



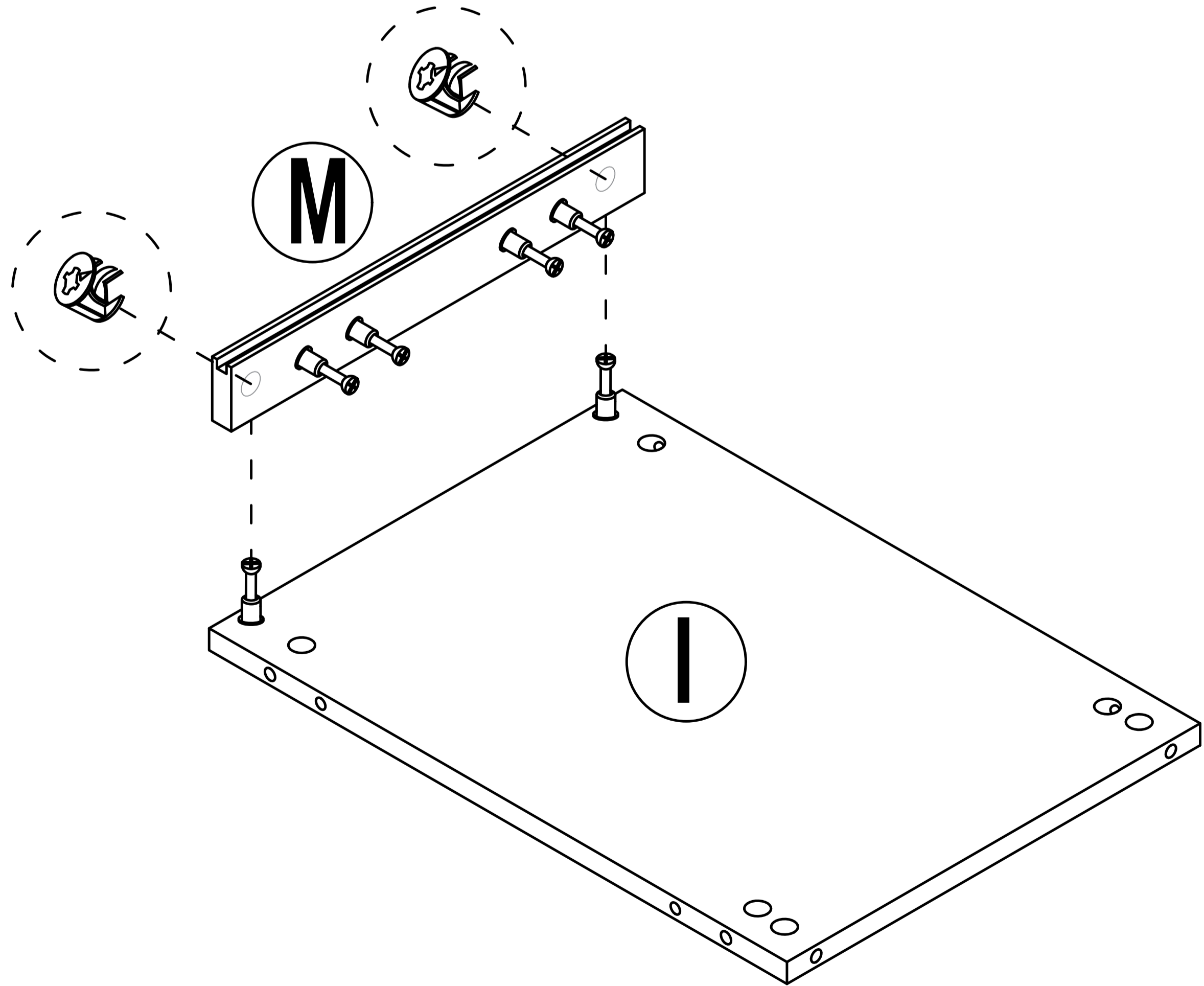
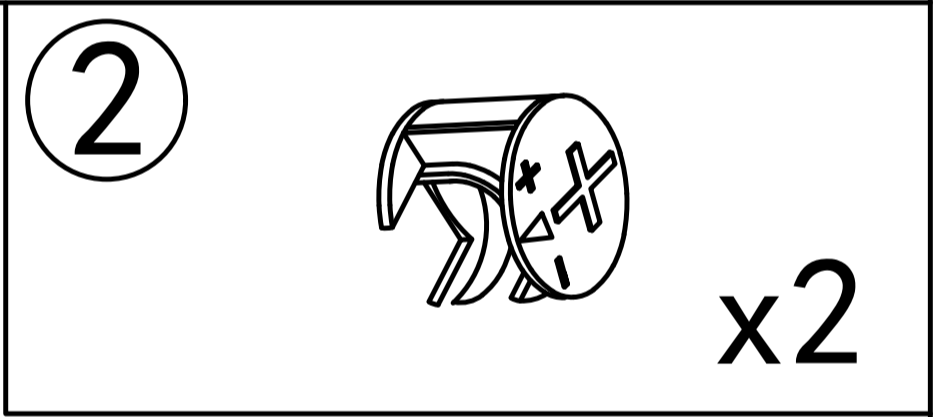
x2



Step 16

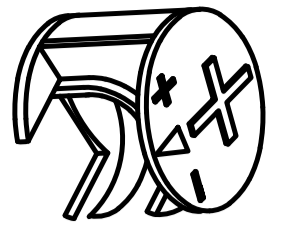


Step 17

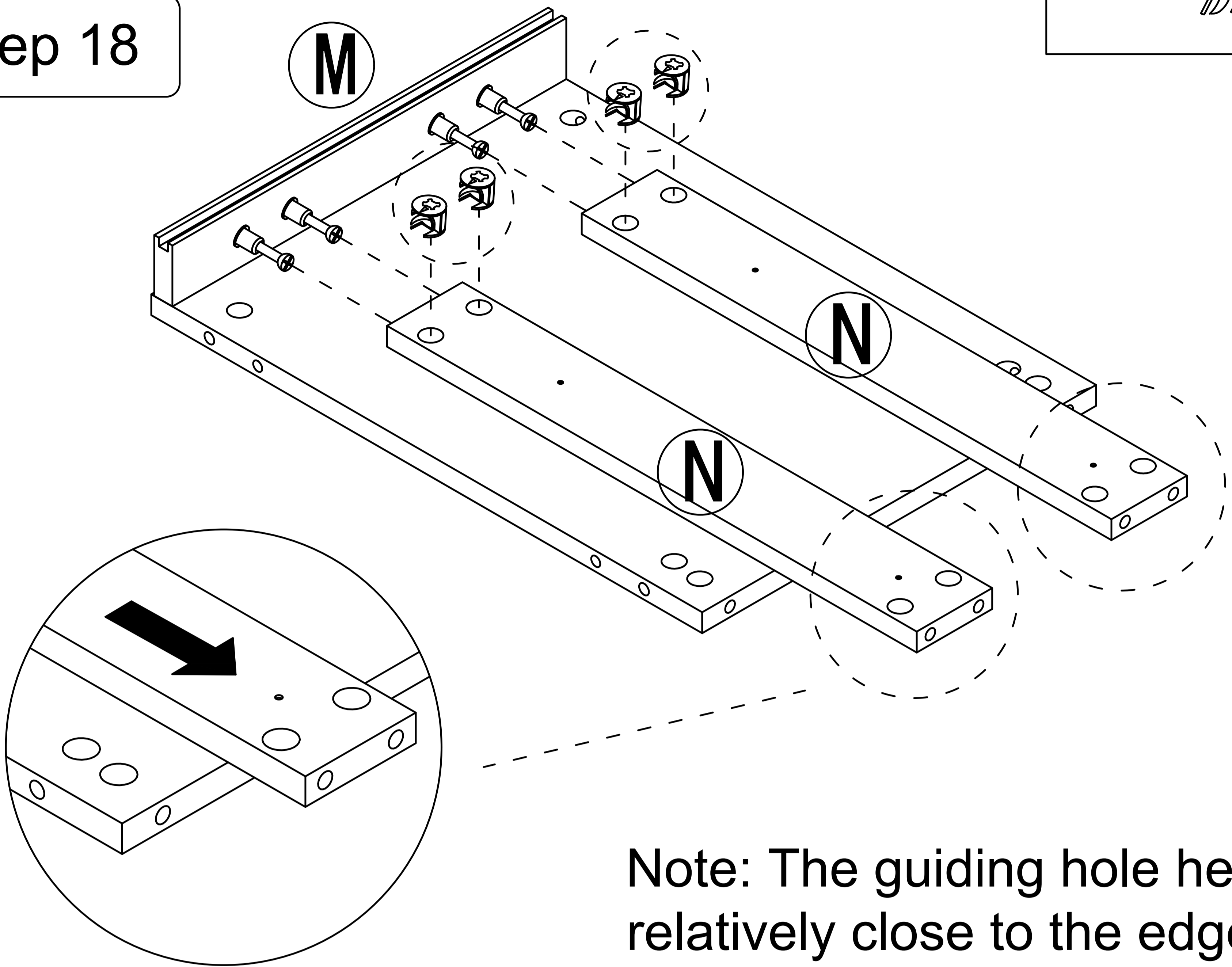


Step 18

2



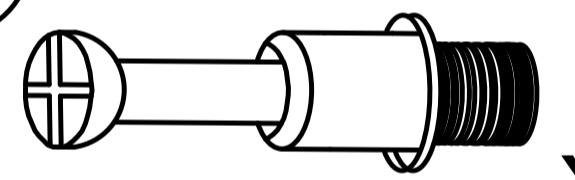
x4



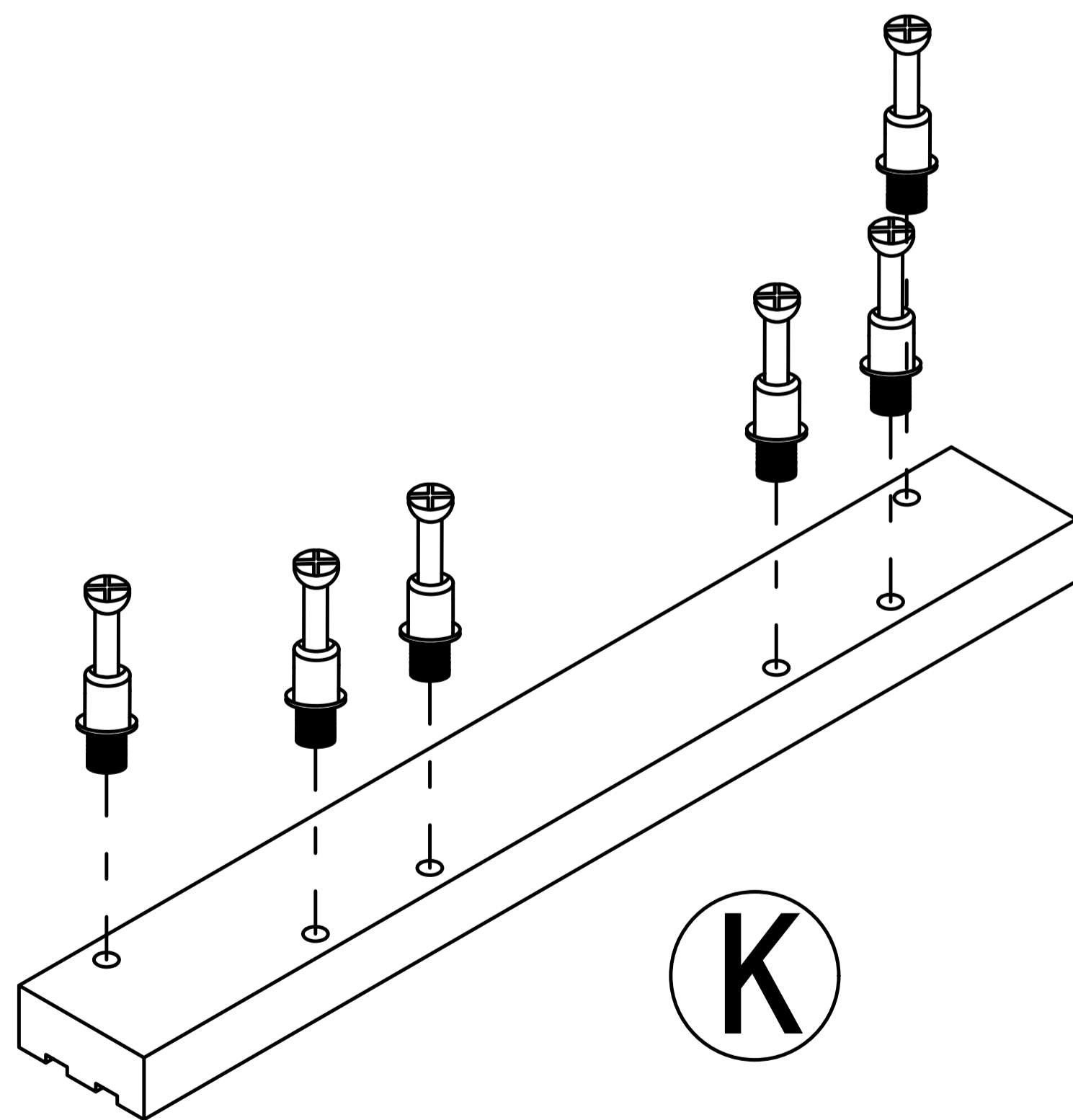
Note: The guiding hole here is relatively close to the edge.

Step 19

1

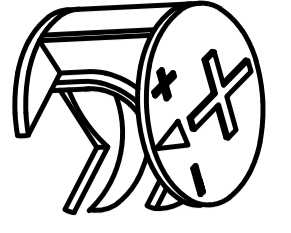


x6

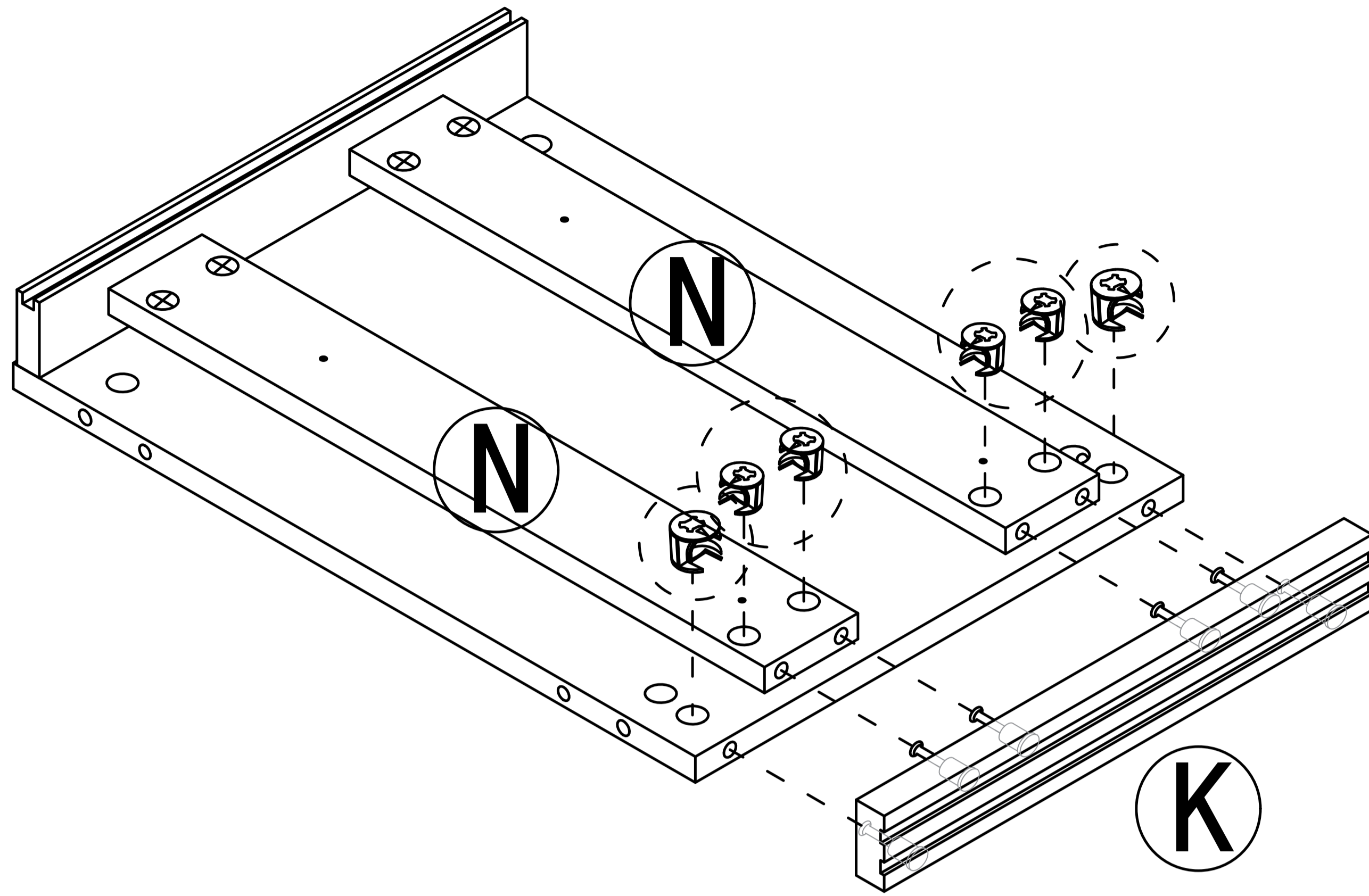


# Step 20

2

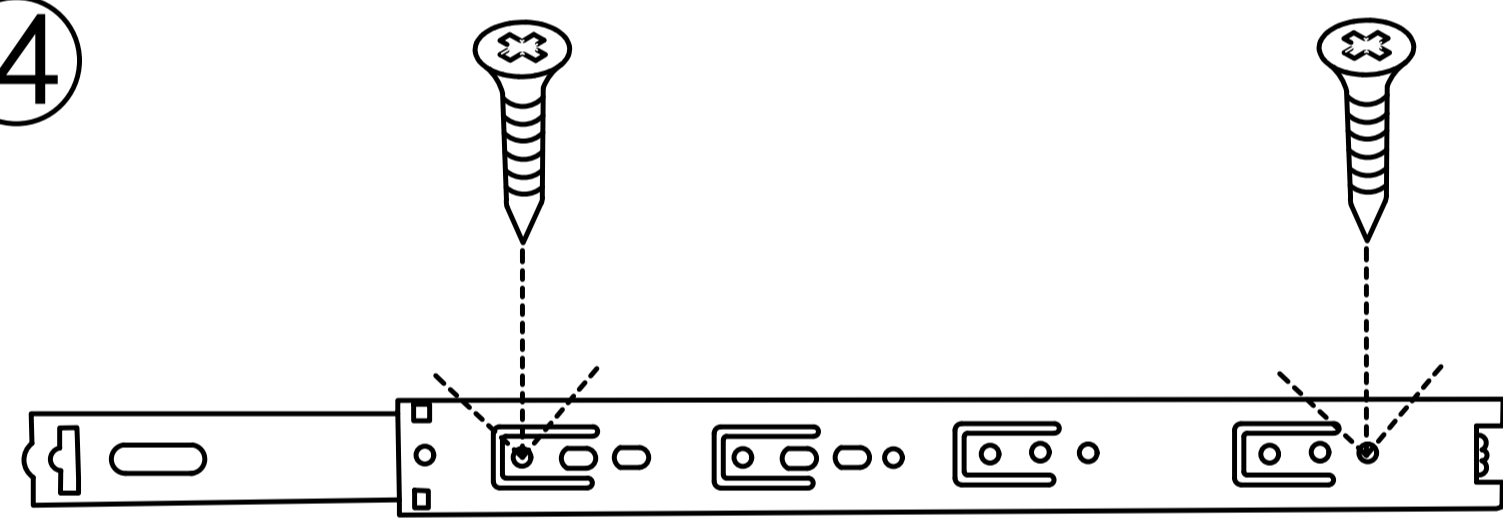


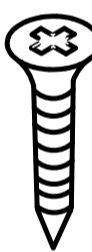
x6

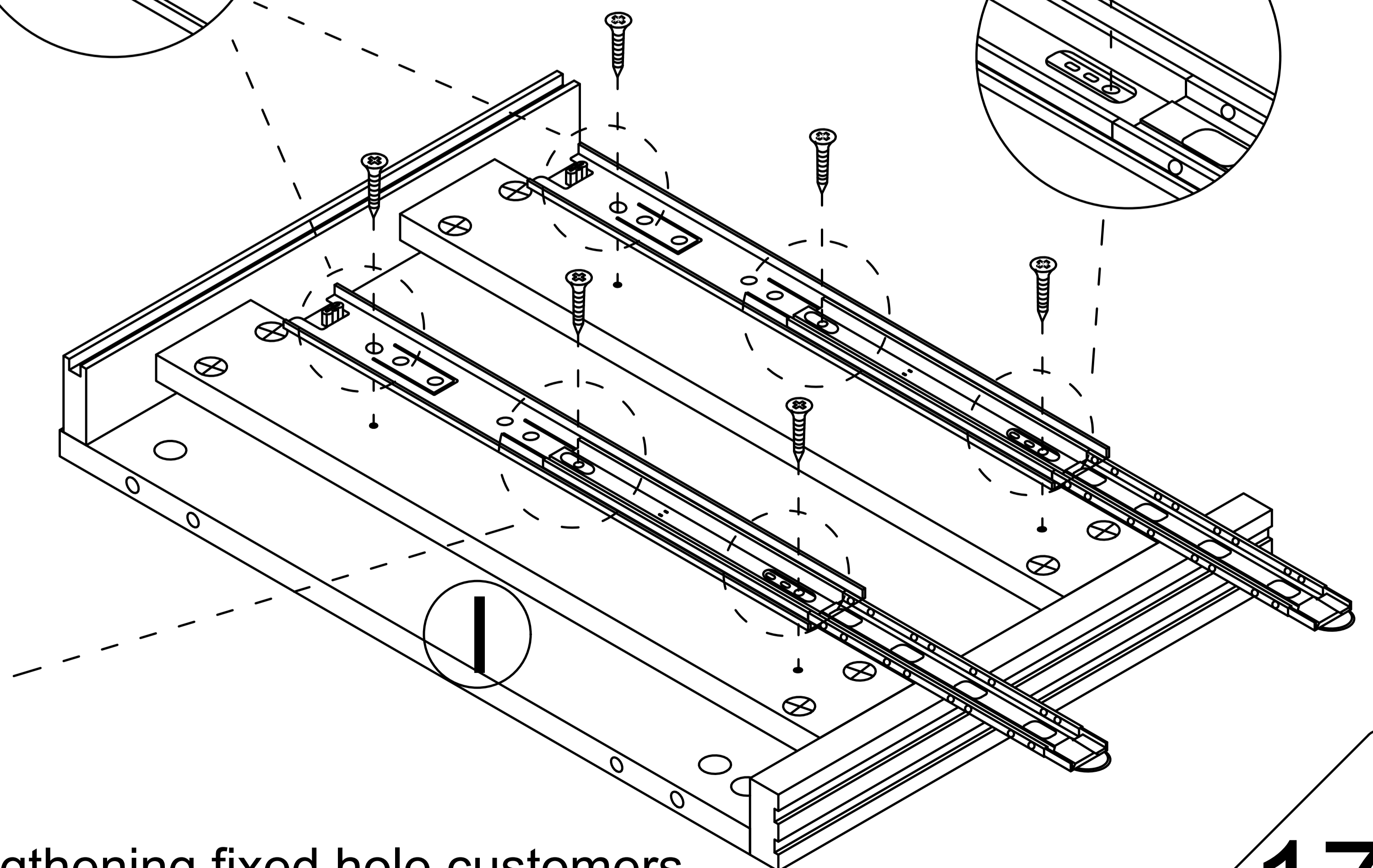
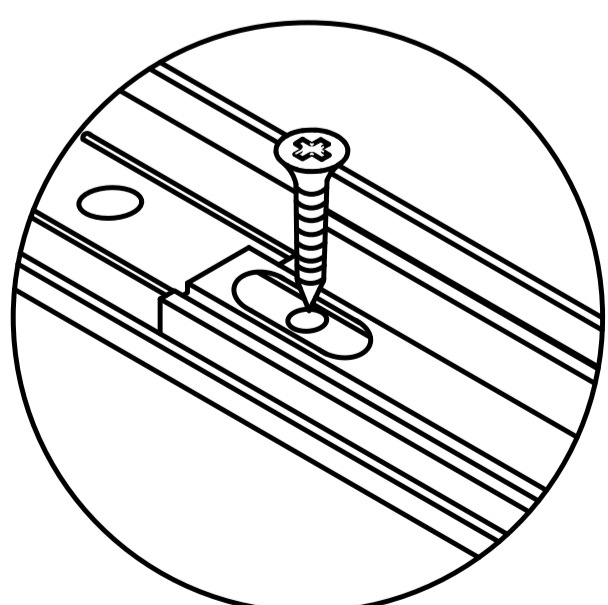
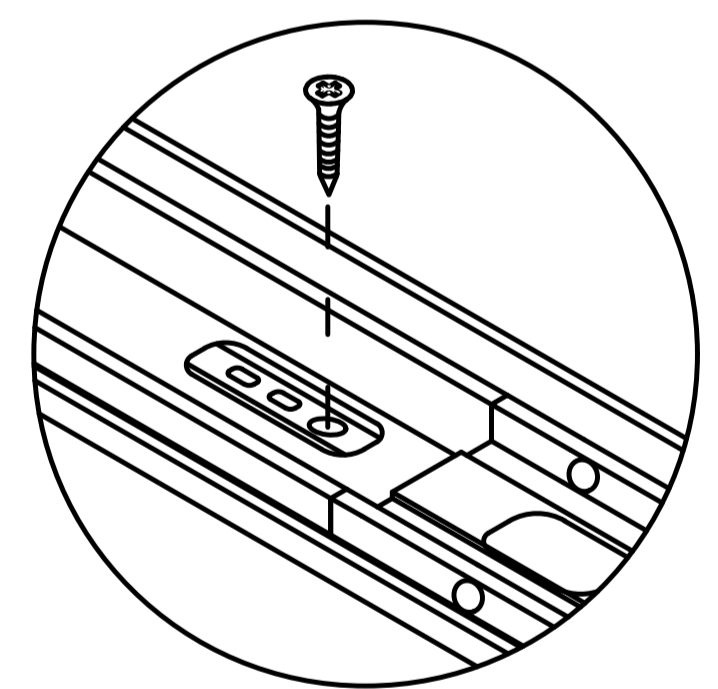
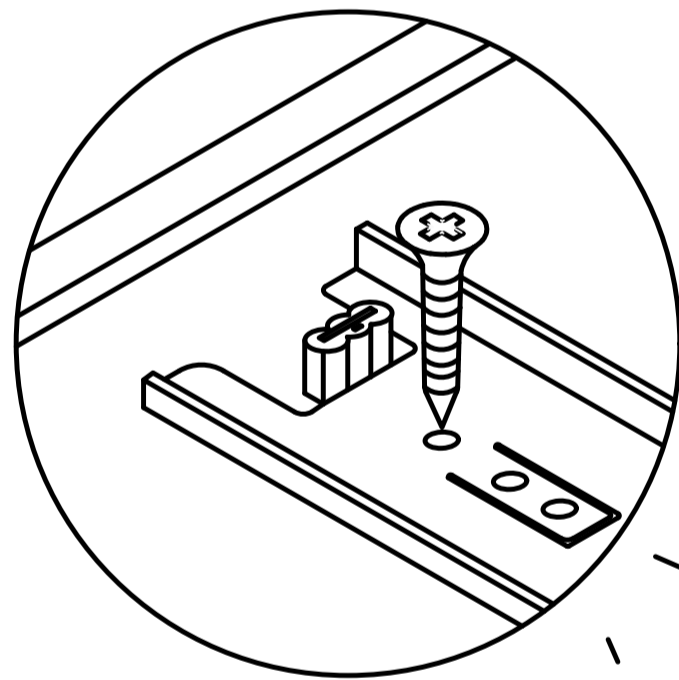


# Step 21

4

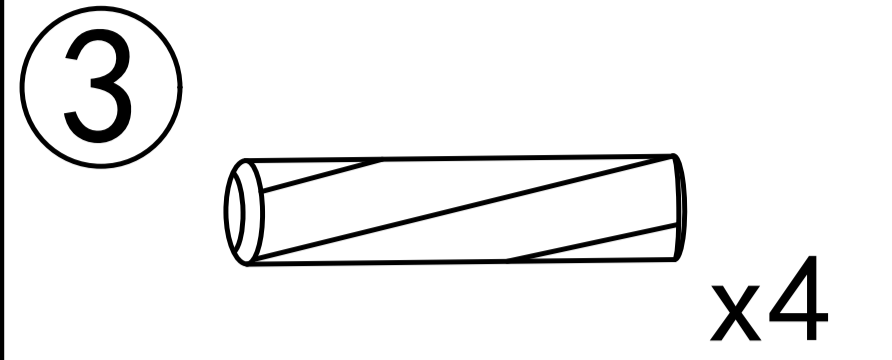
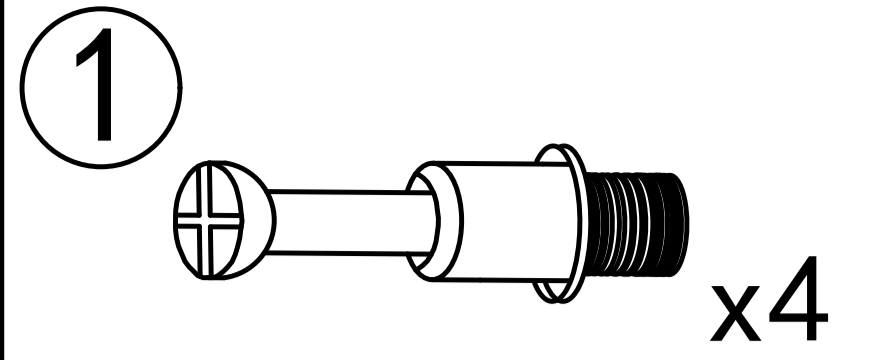
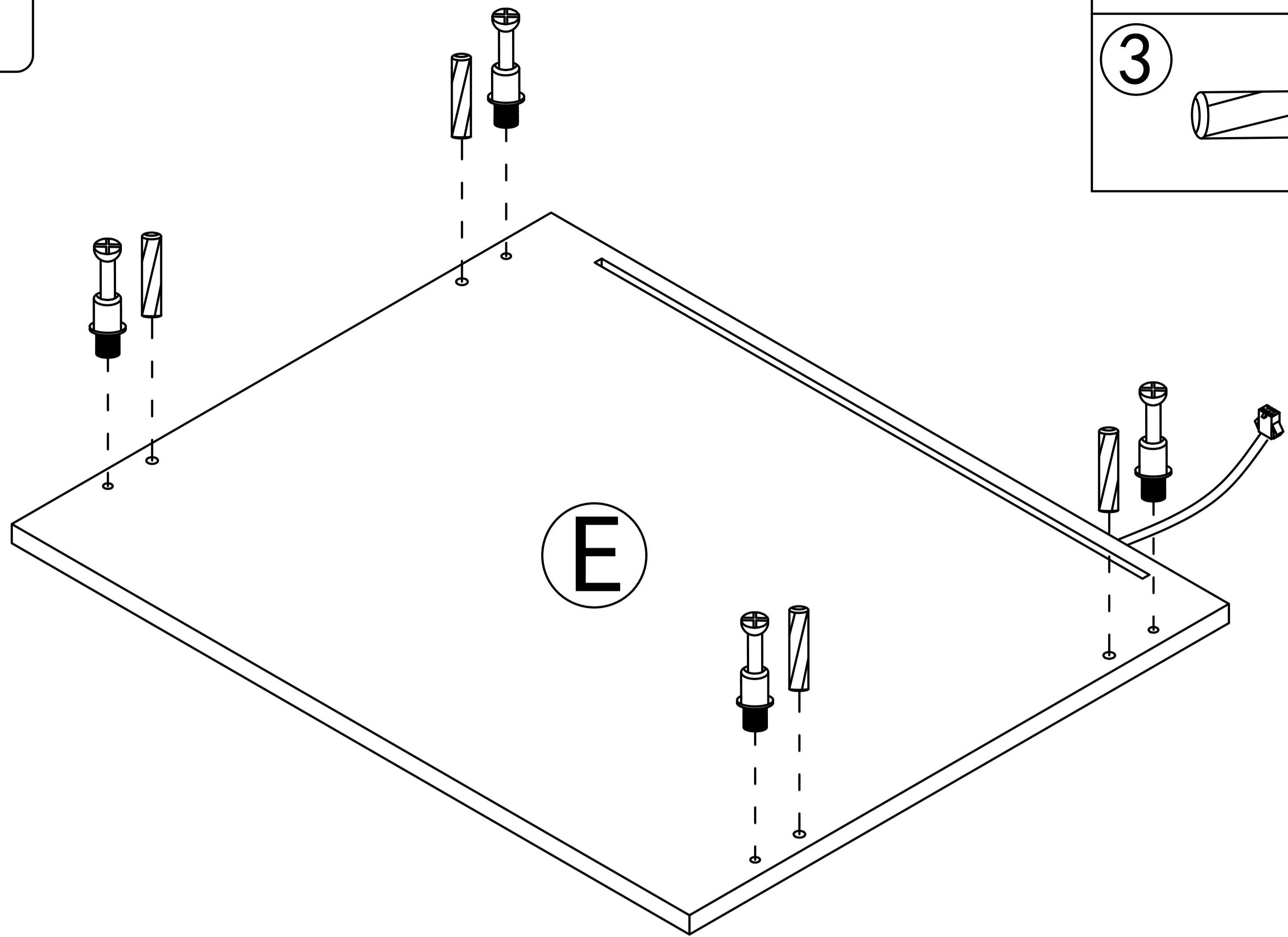


x2  x6

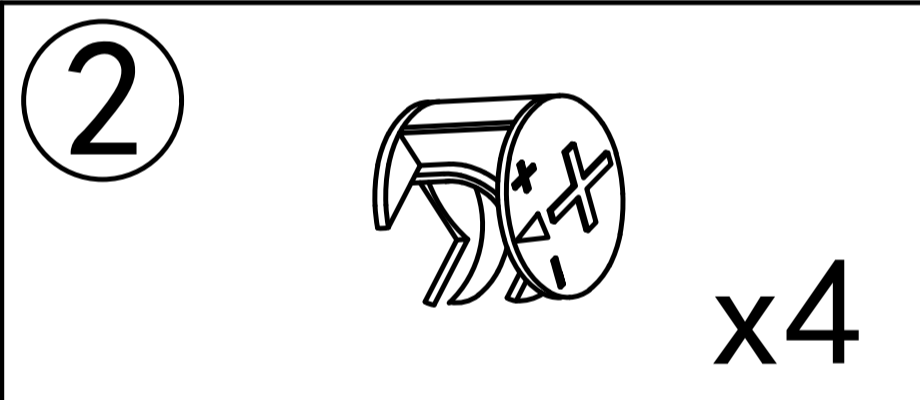
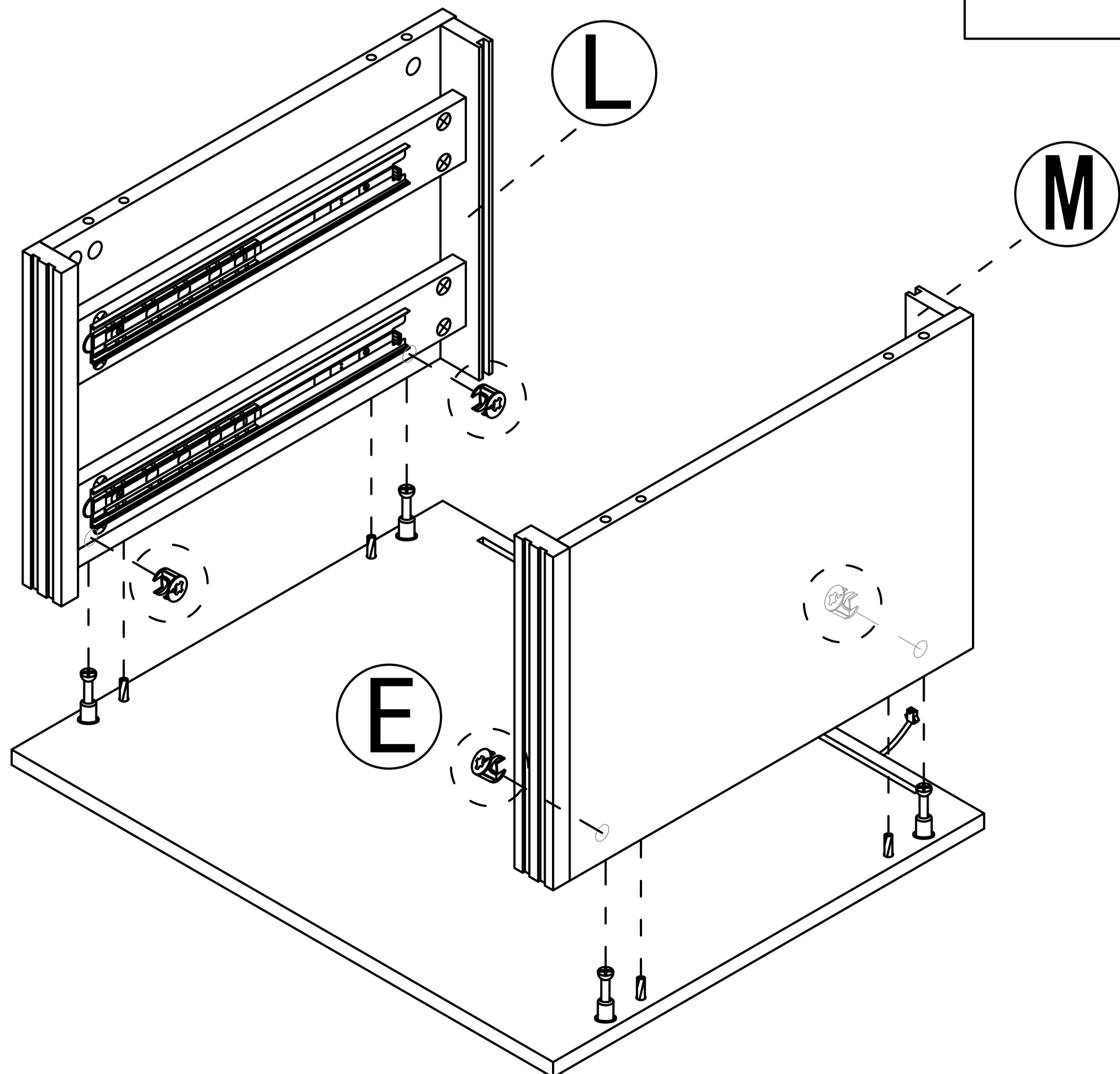


This hole is for strengthening fixed hole customers can choose to install according to their needs.

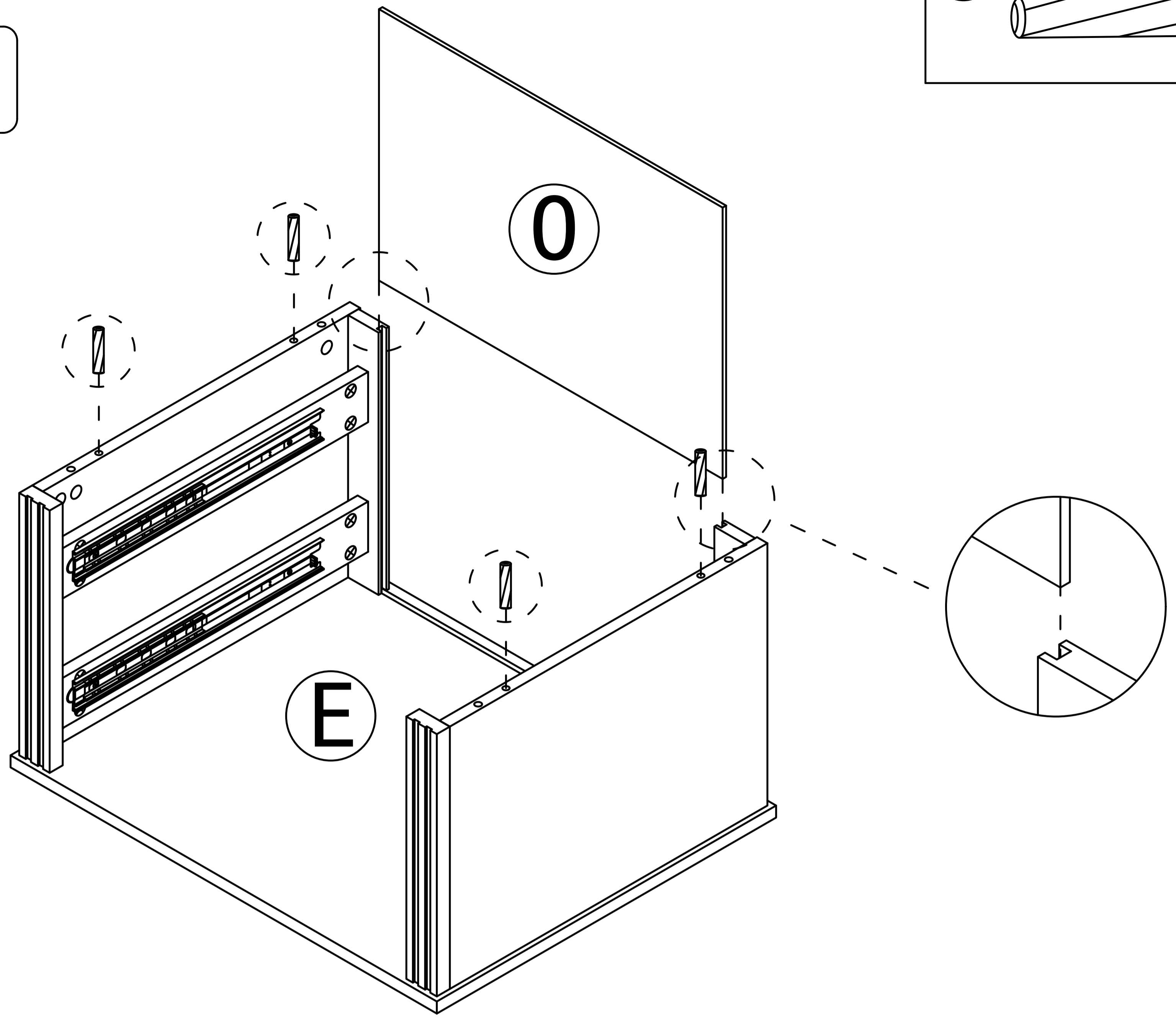
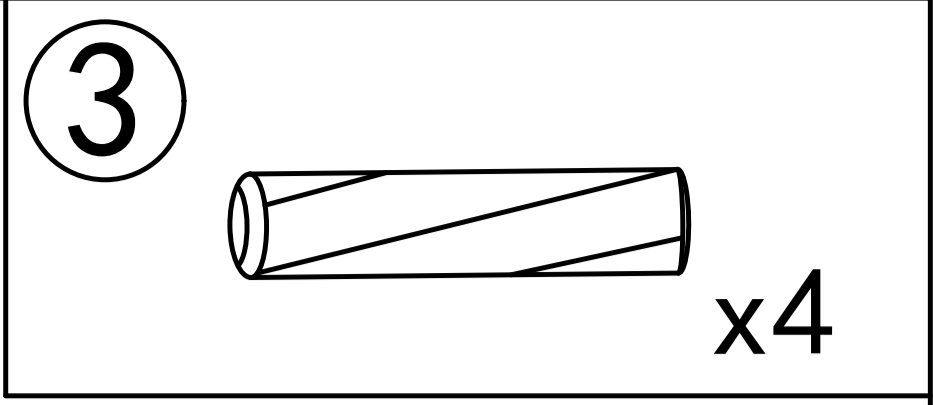
# Step 22



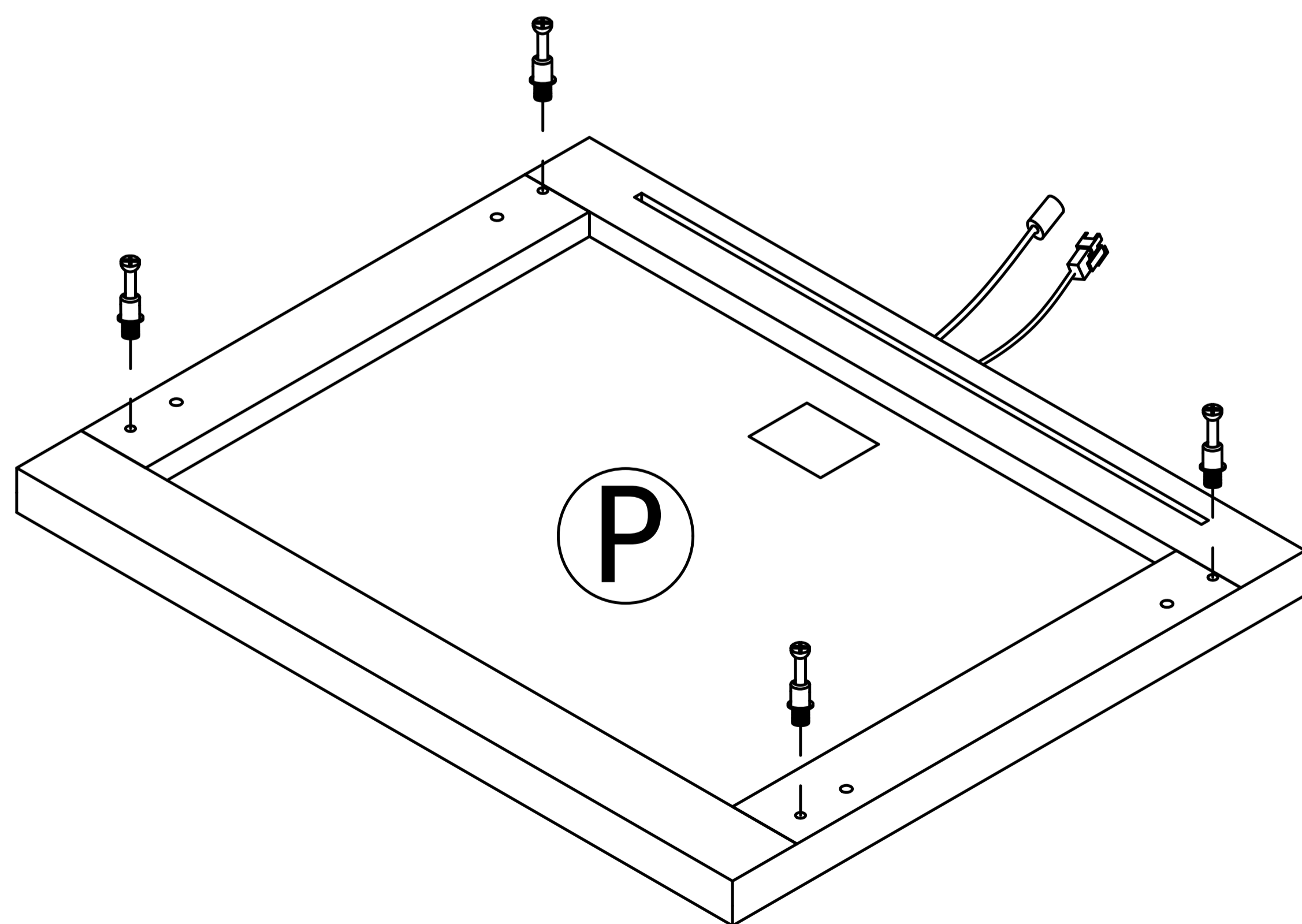
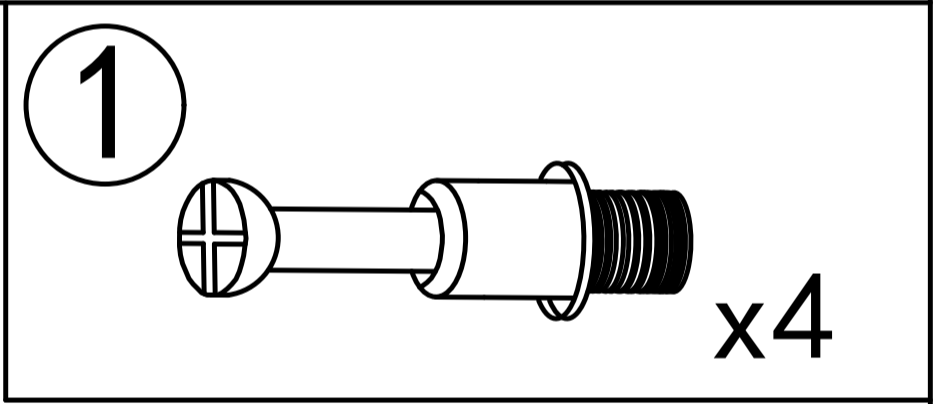
# Step 23



Step 24

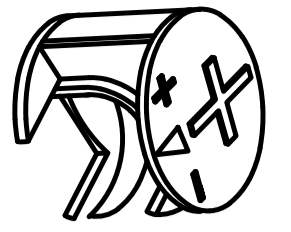


Step 25

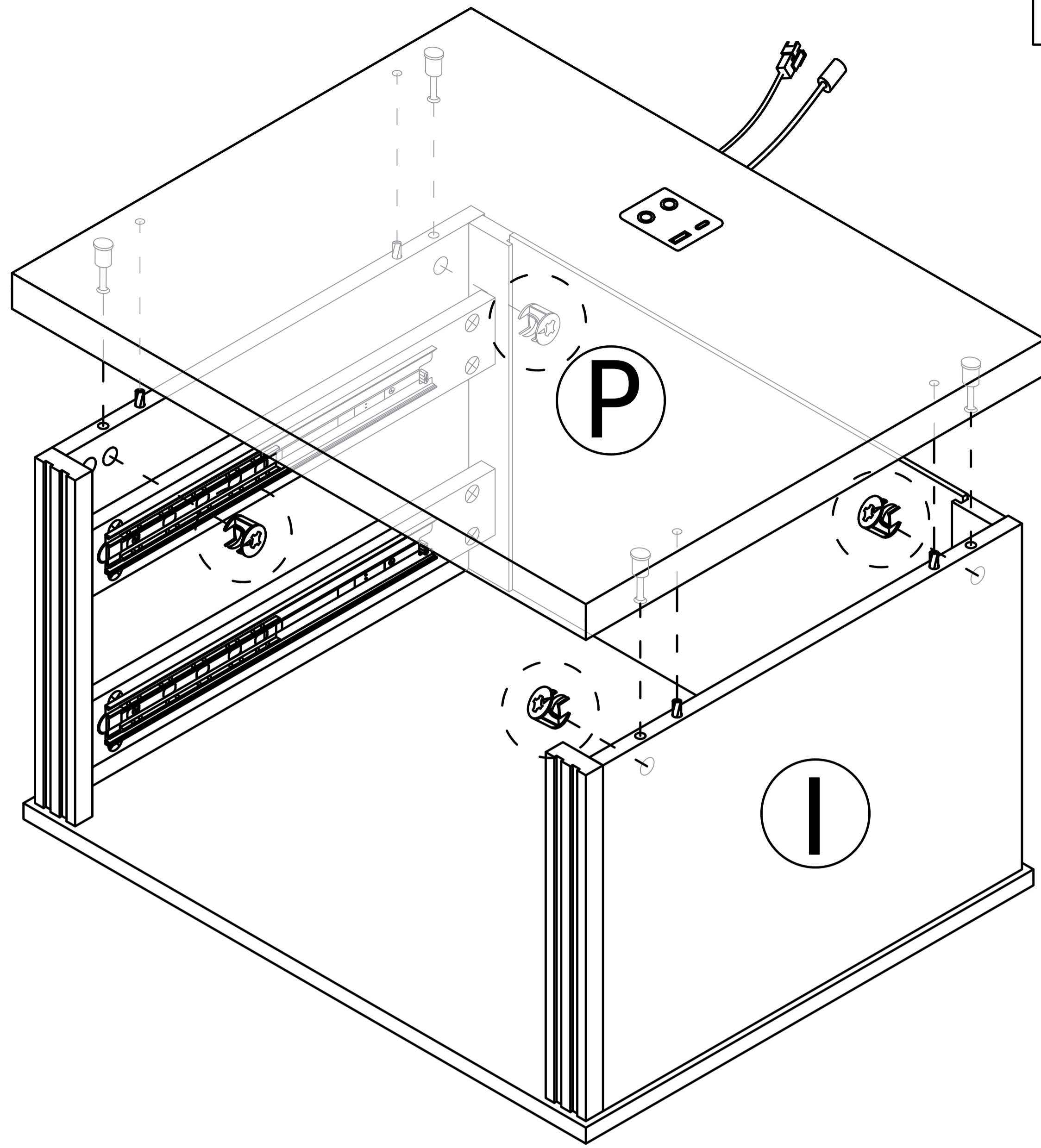


Step 26

2

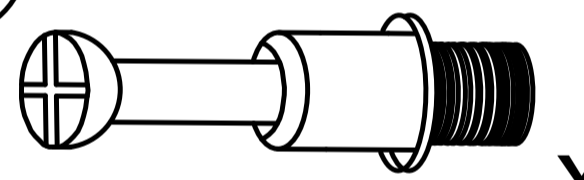


x4

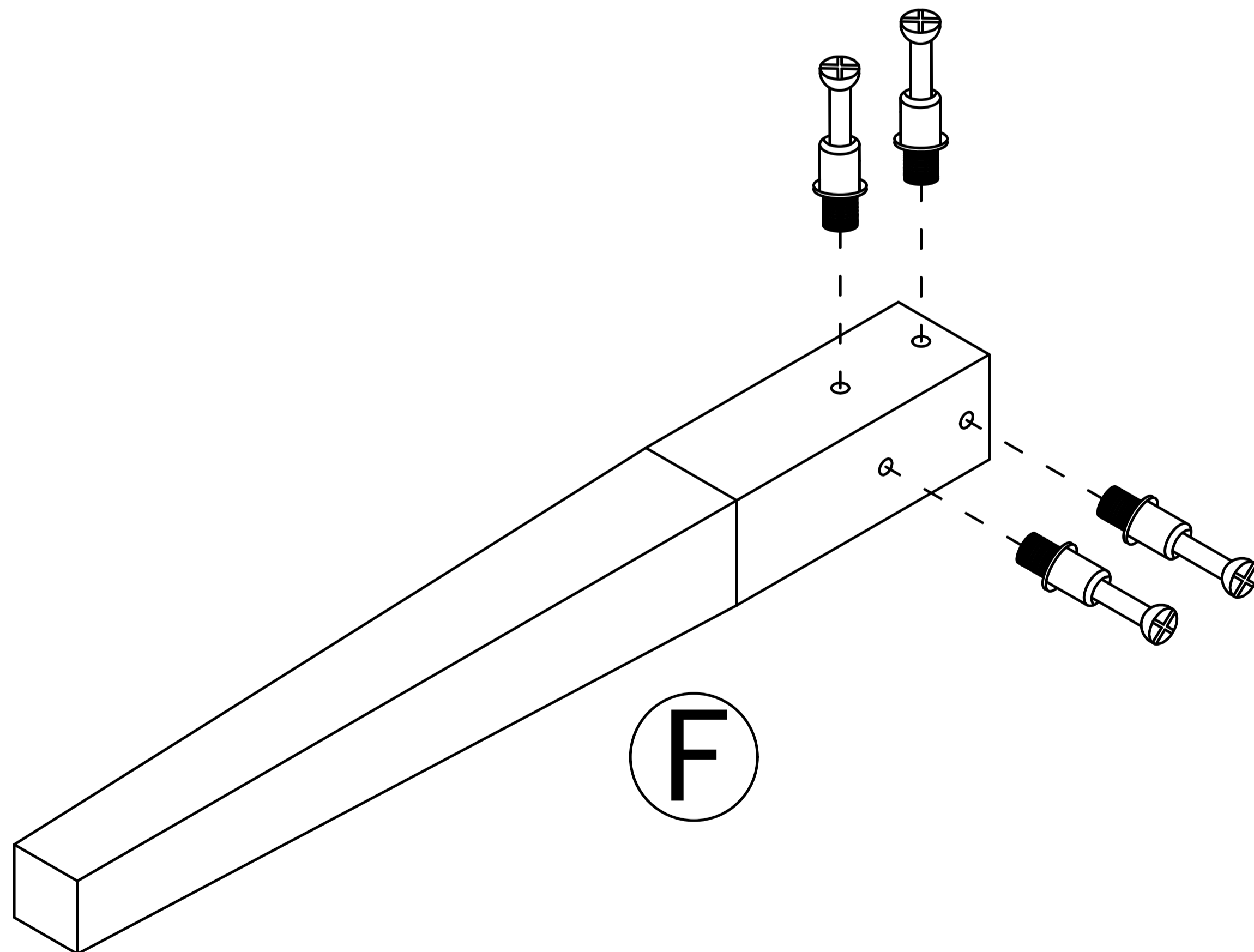


Step 27

1



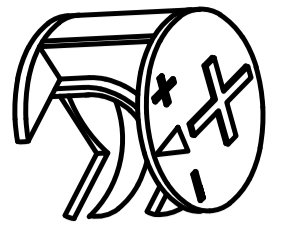
x16



x4

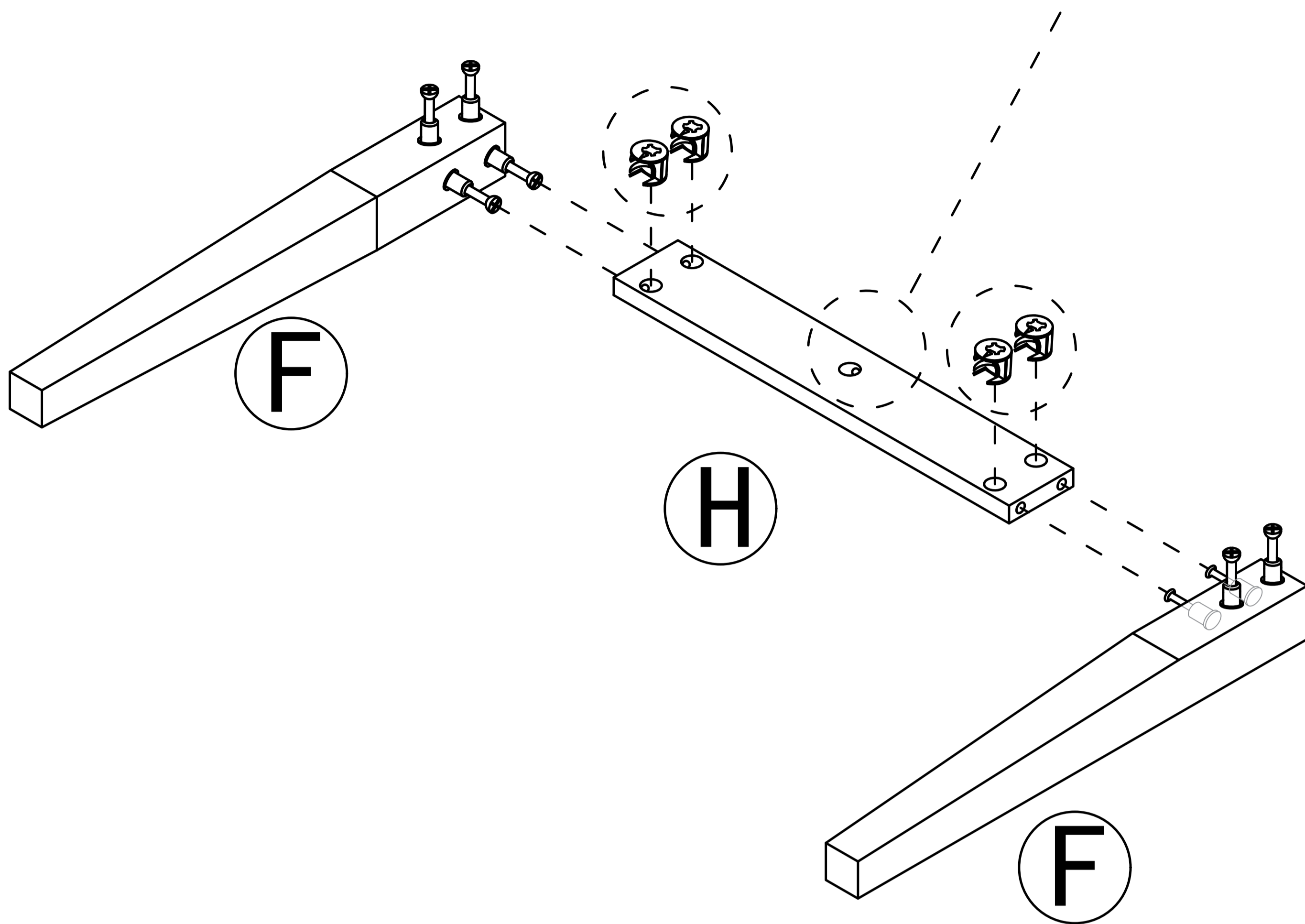
Step 28

2



x8

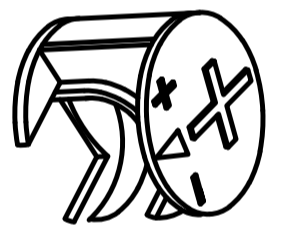
Note: This hole is outward when installed.



x2

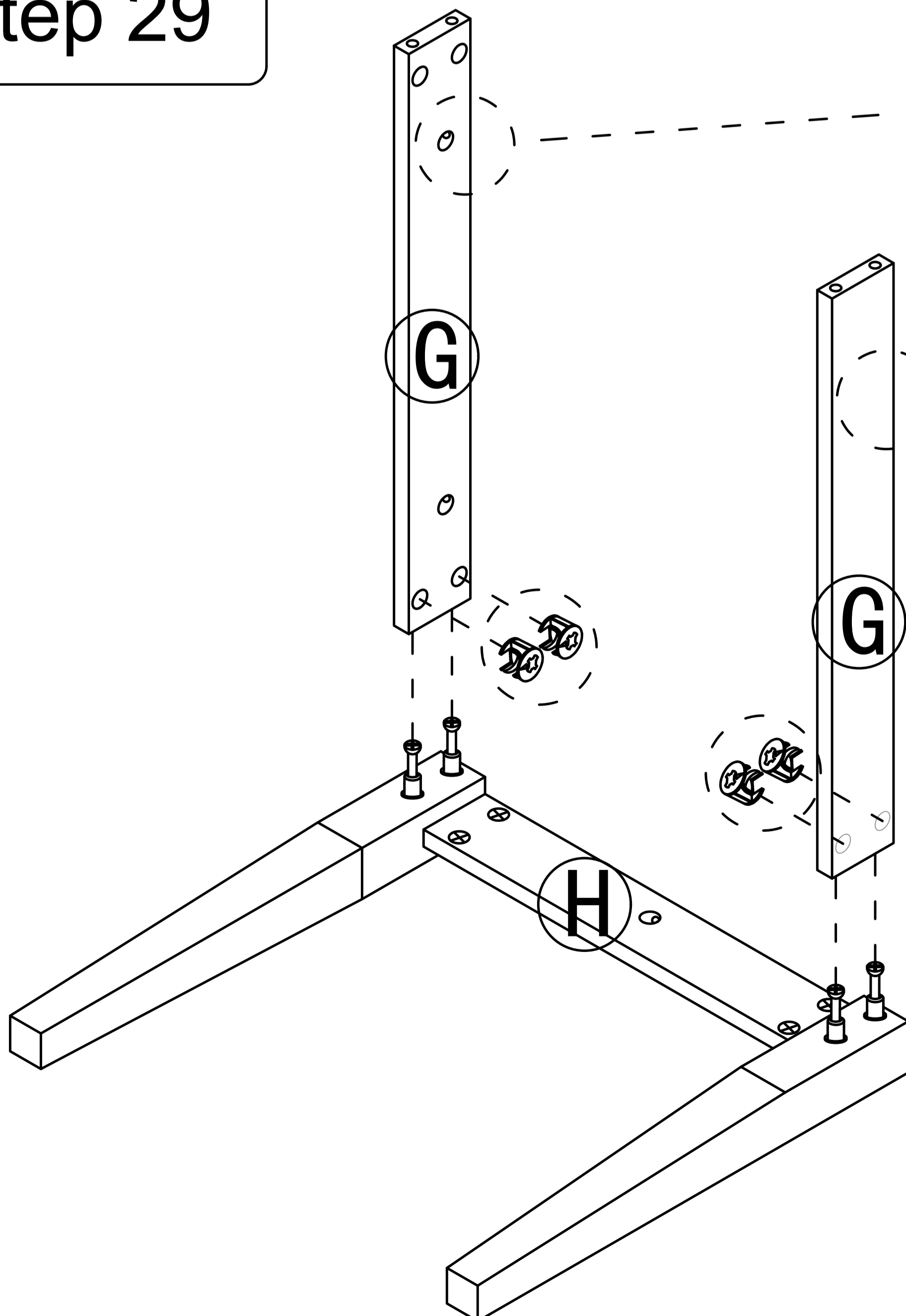
Step 29

2



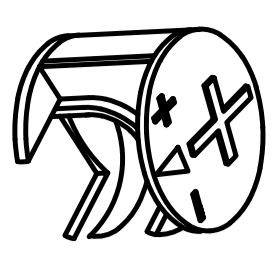
x4

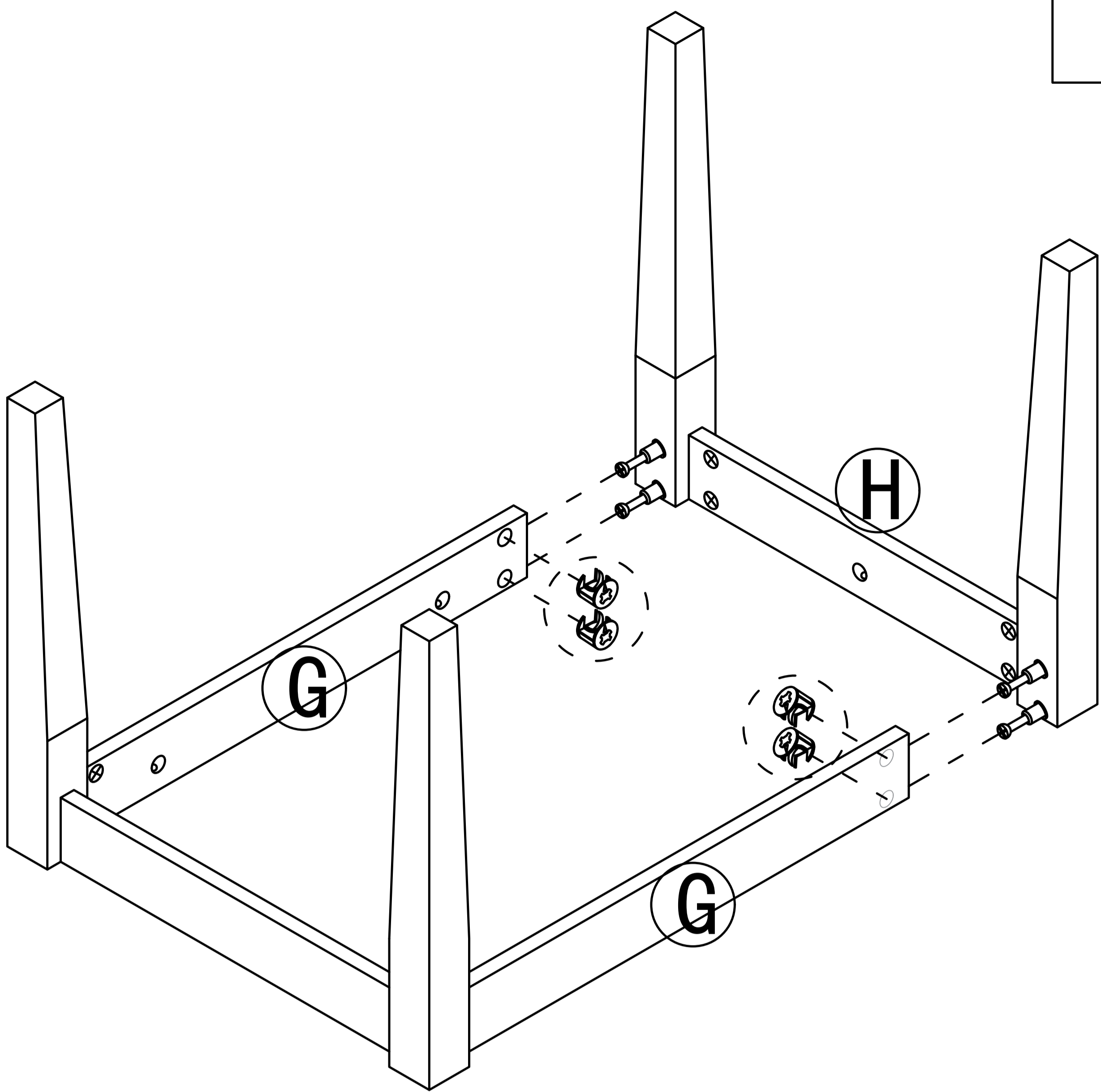
Note: This hole is outward when installed.



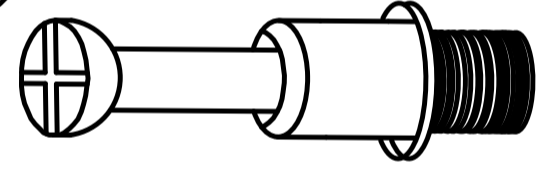
21

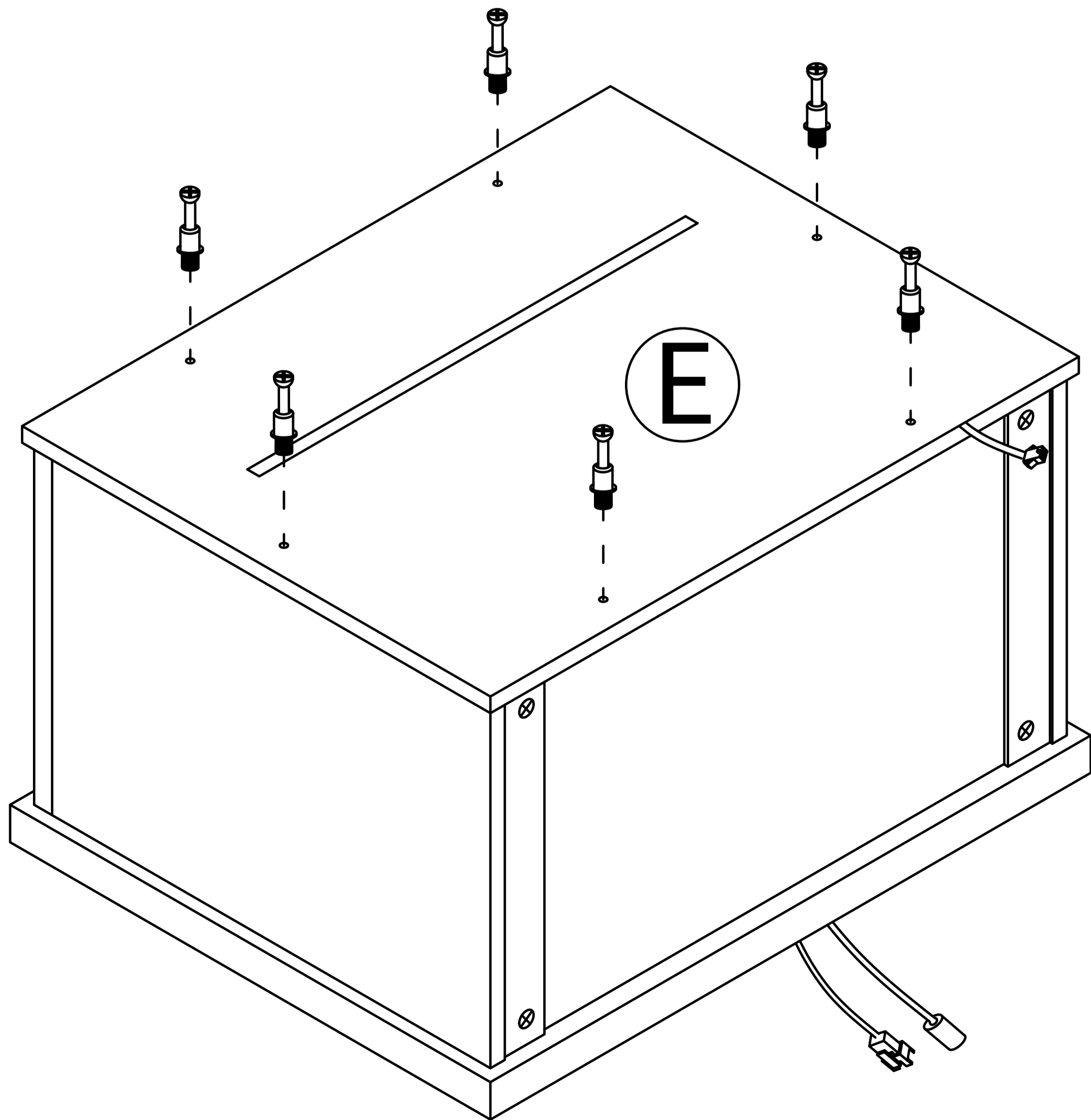
Step 30

2  x4



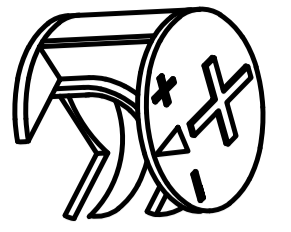
Step 31

1  x6

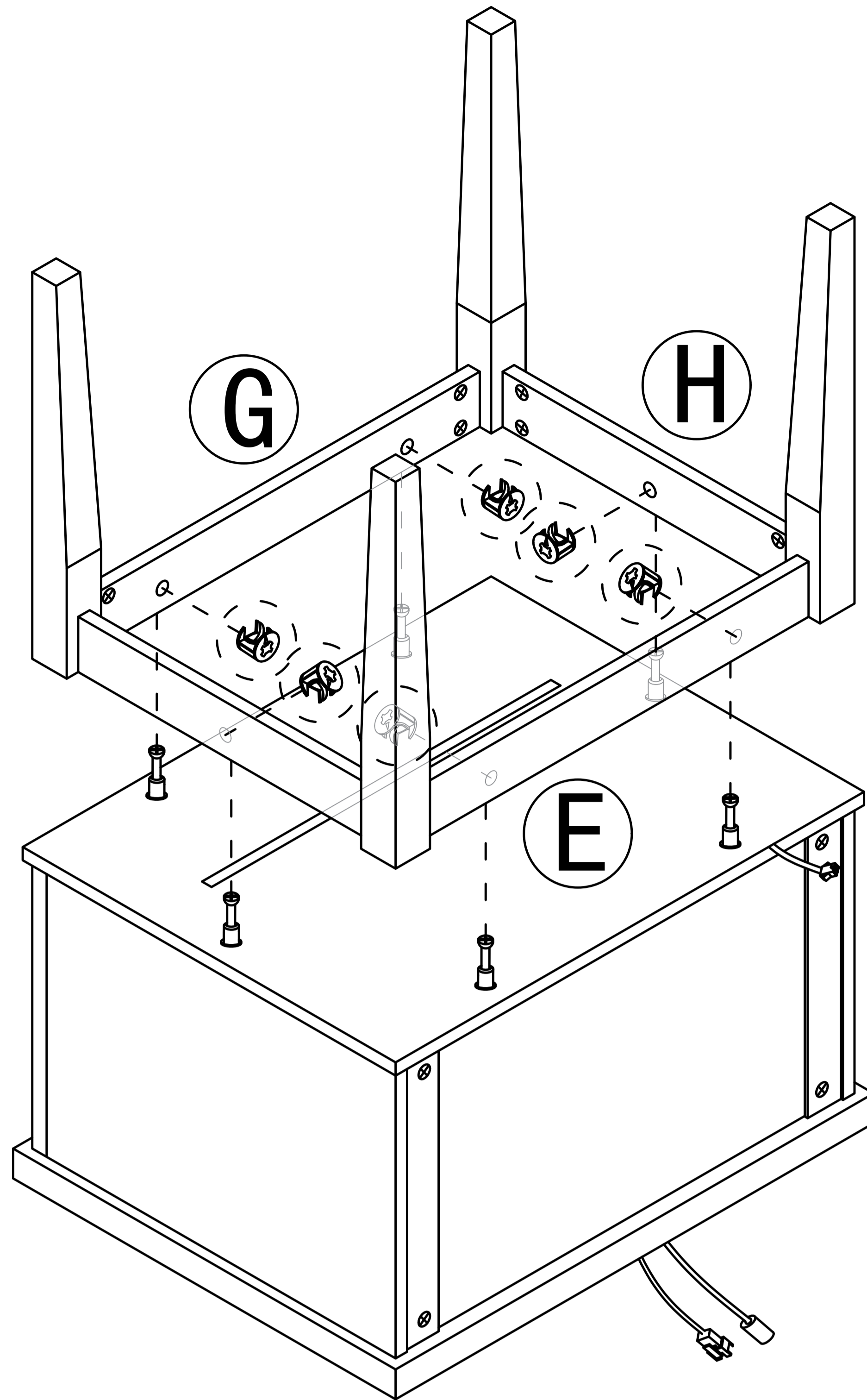


# Step 32

2

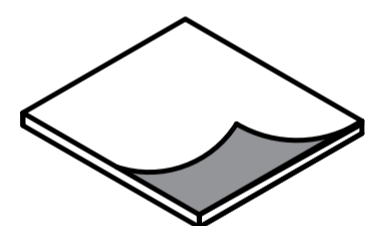


x6



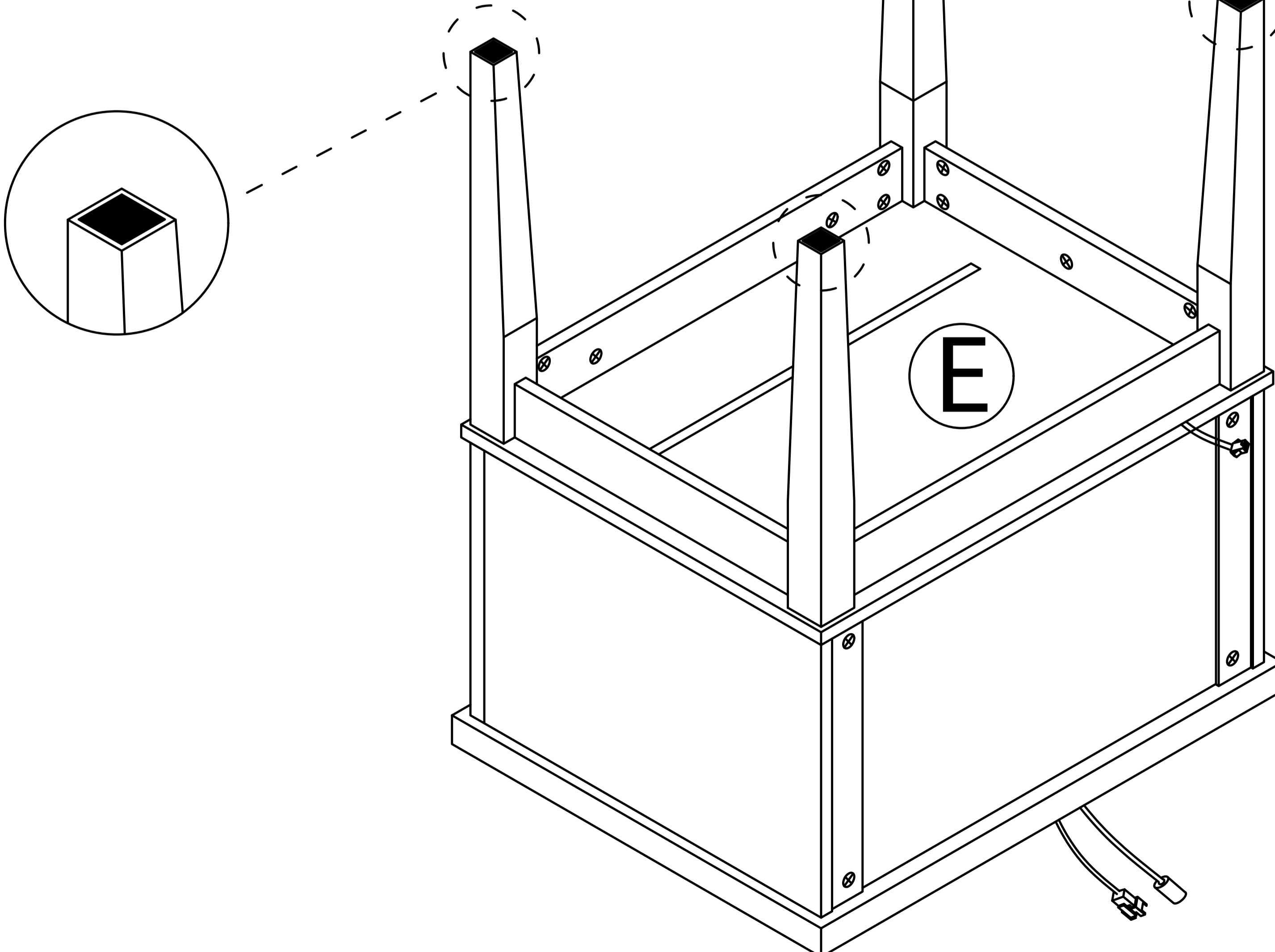
# Step 33

8

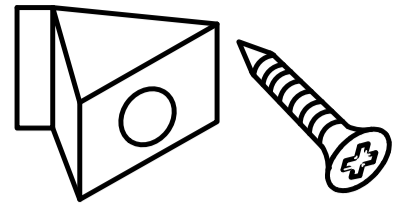


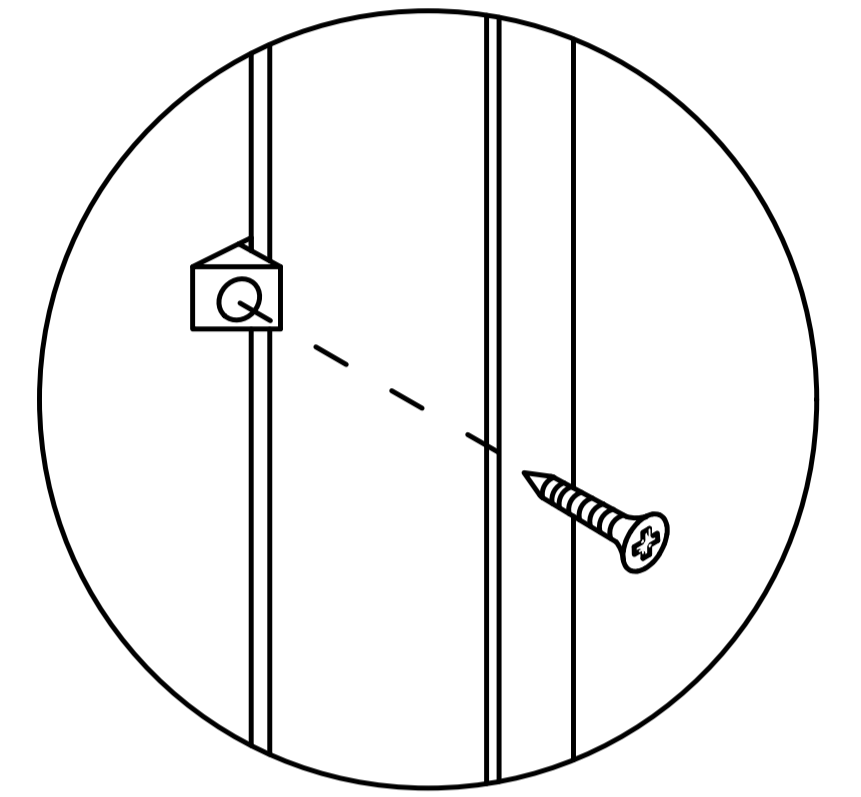
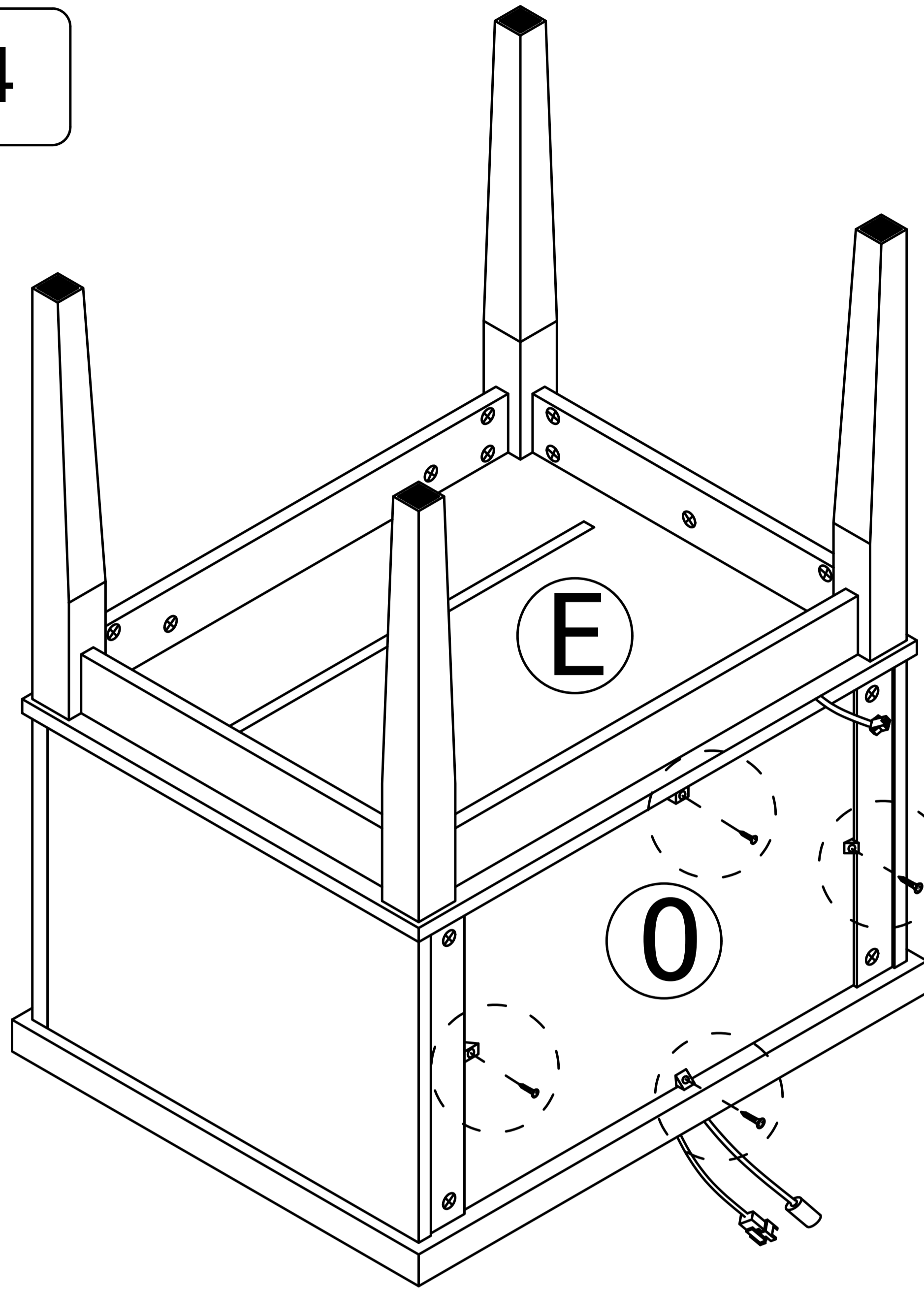
x4

Tear off release paper and stick the black foot pad on the board

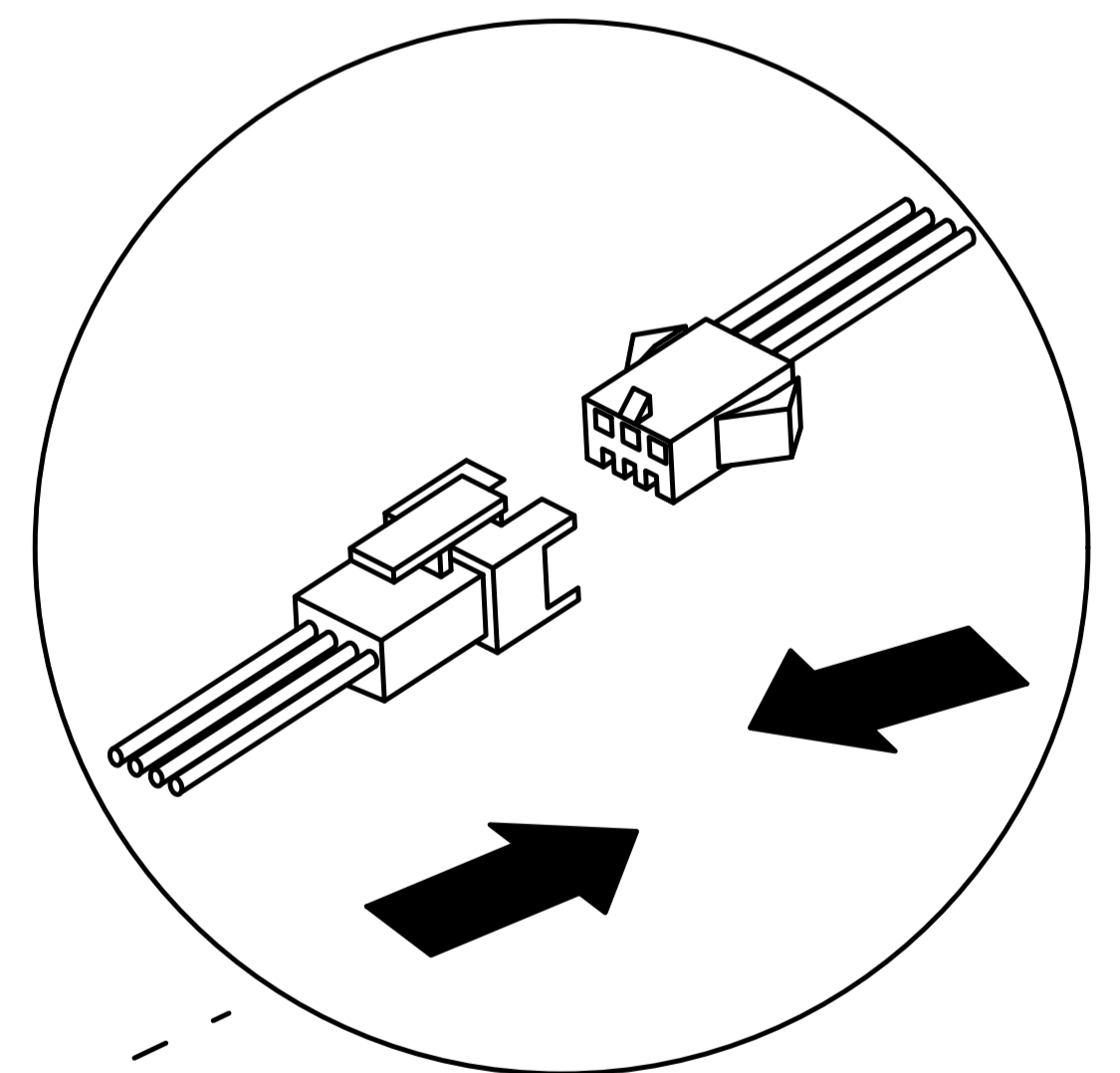
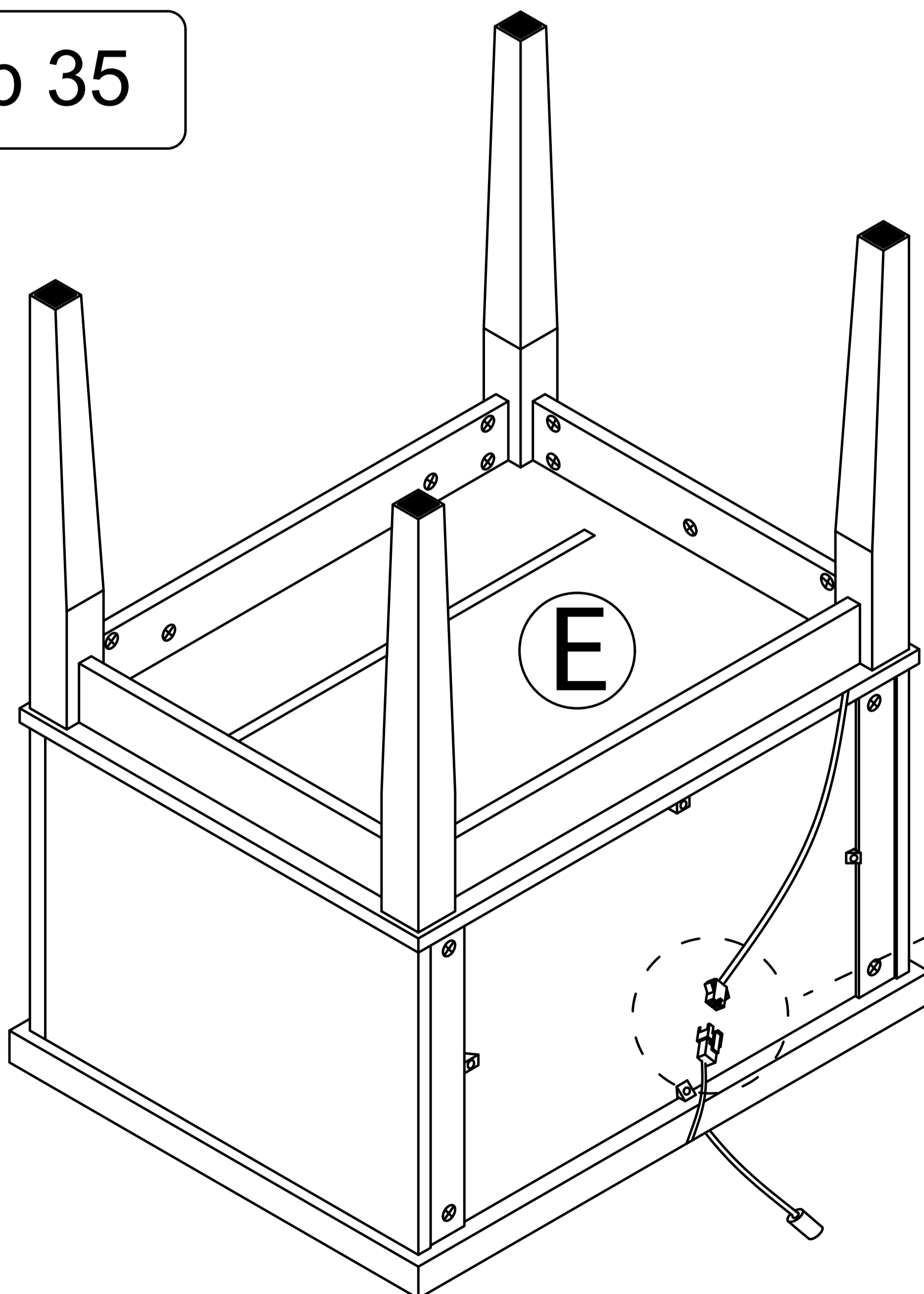


# Step 34

6  x4

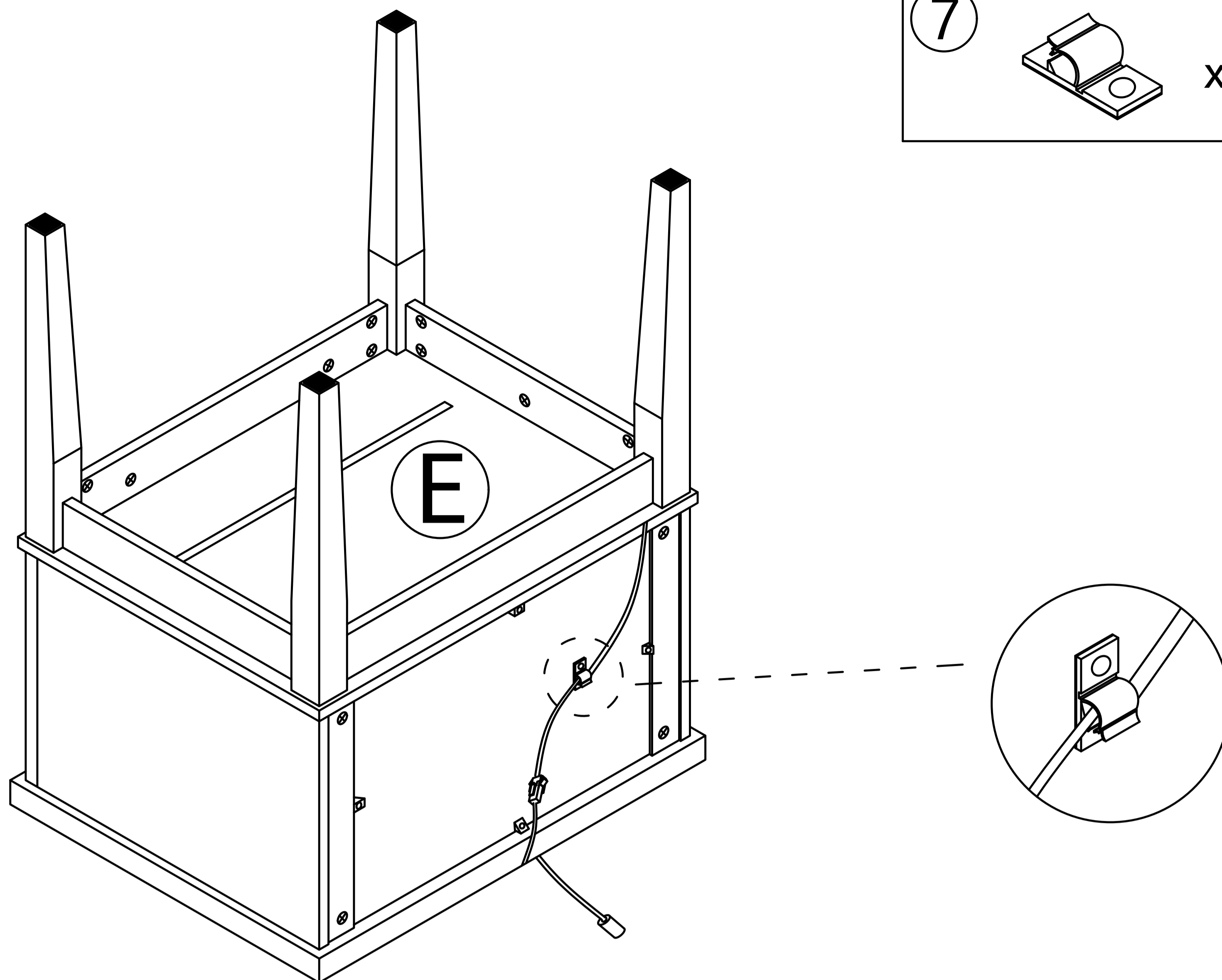
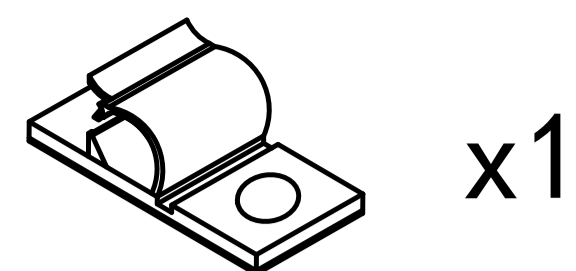


# Step 35

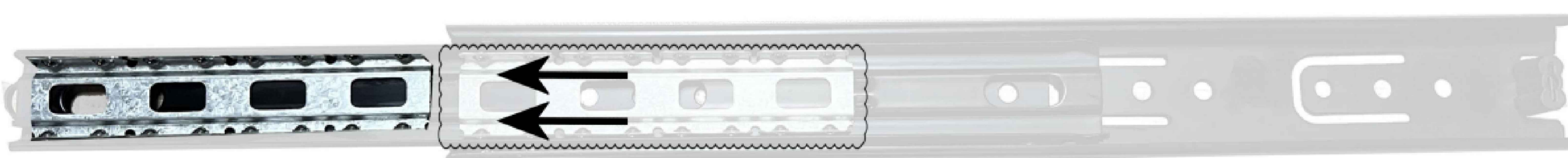
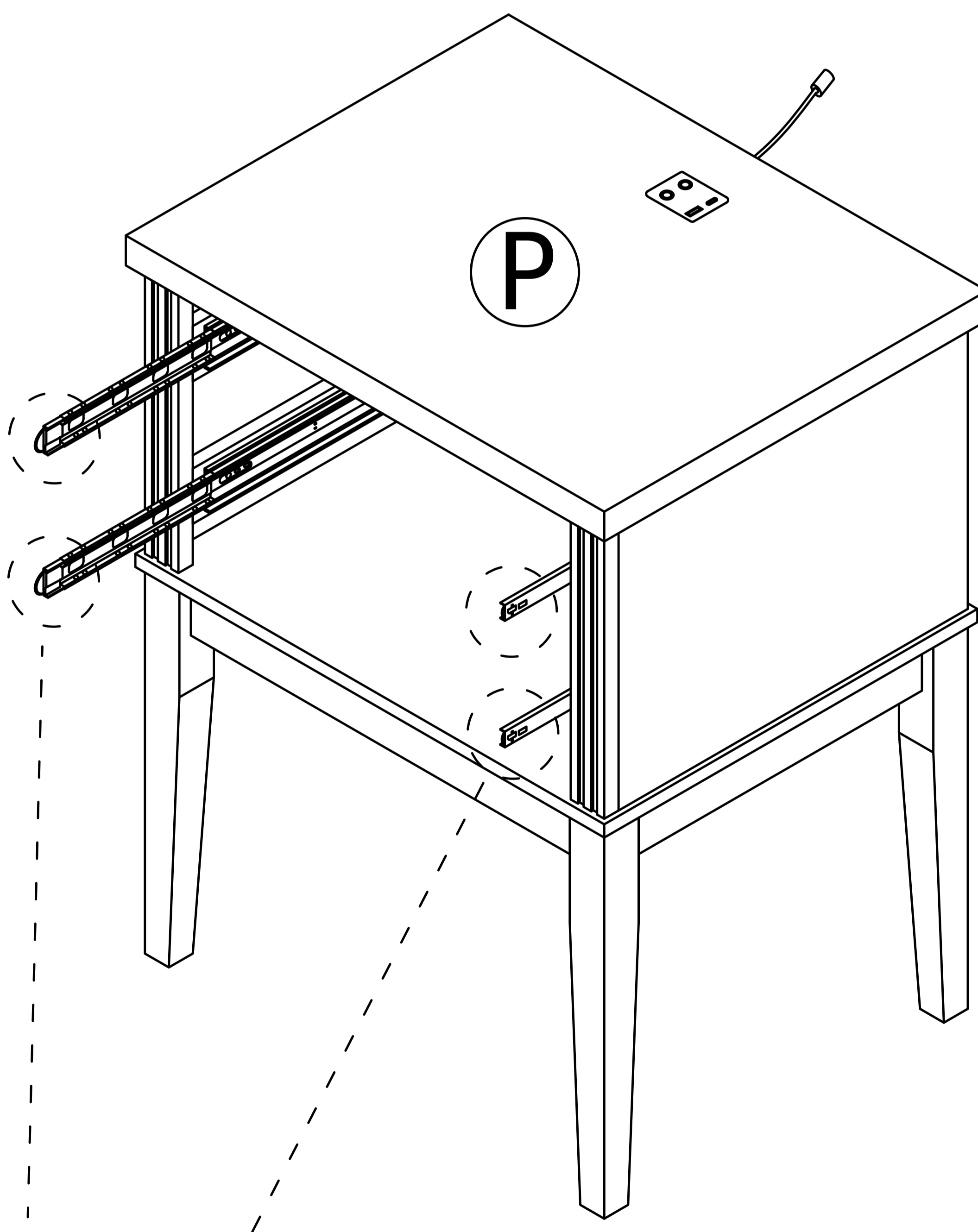


# Step 36

7

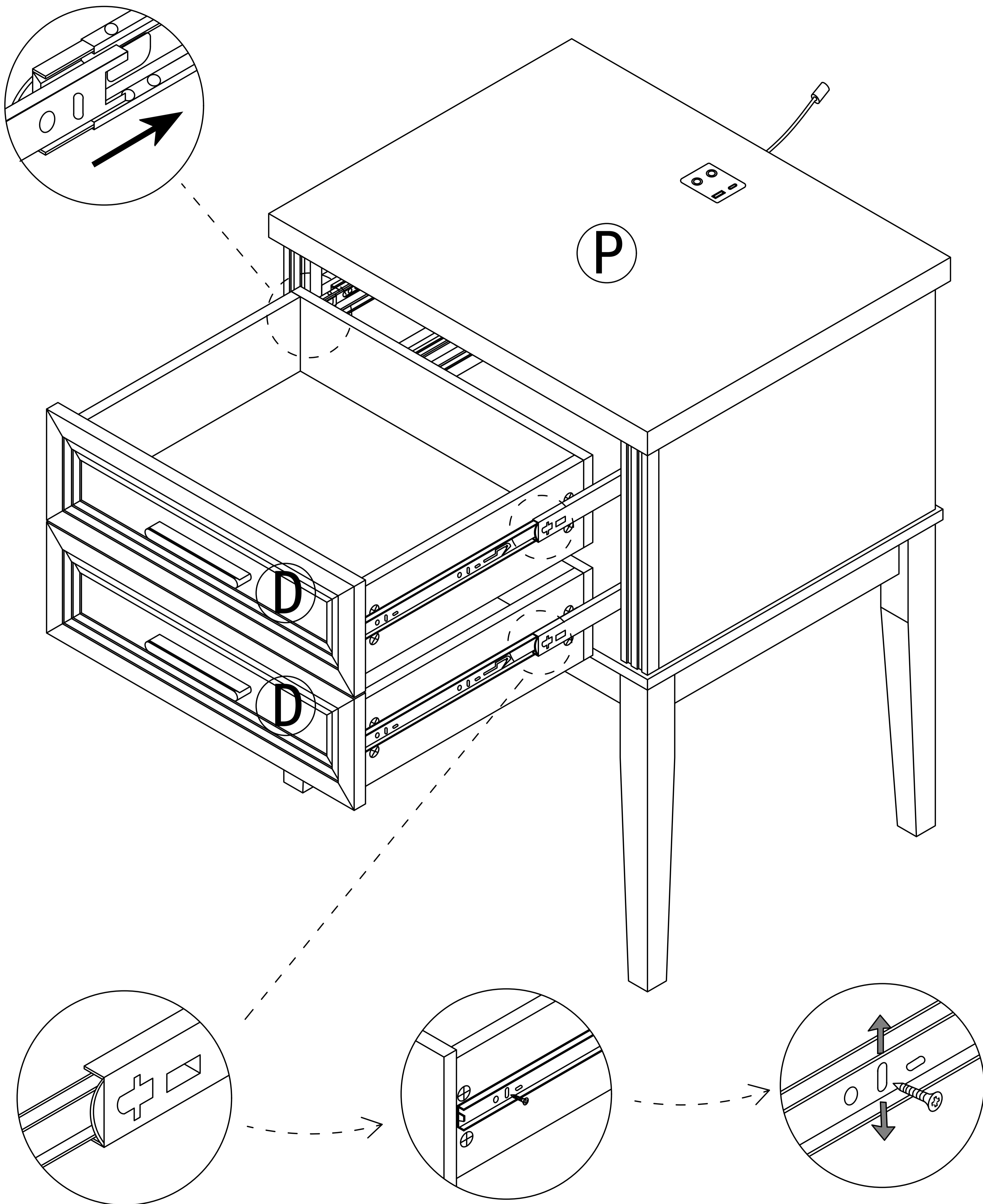


# Step 37



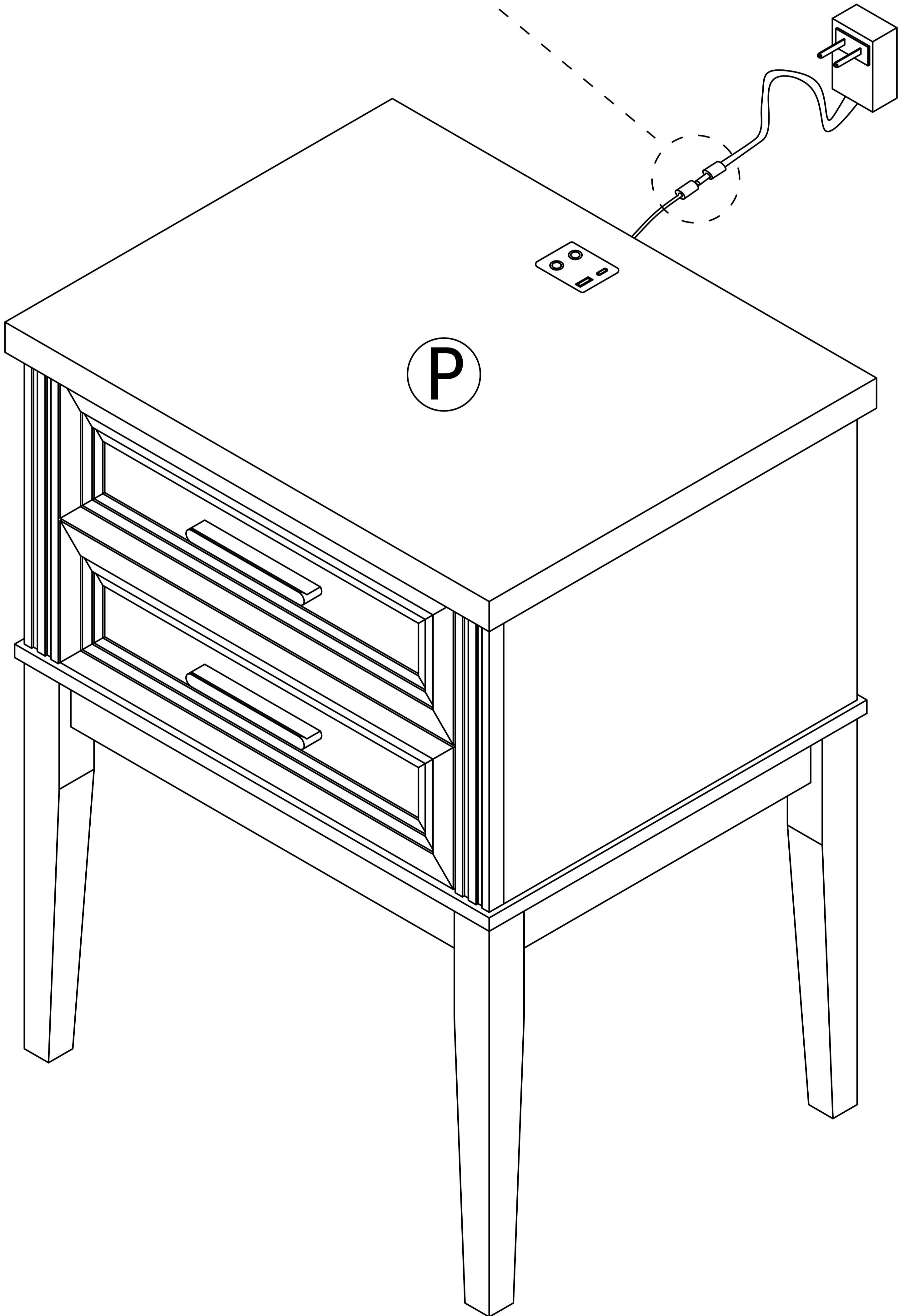
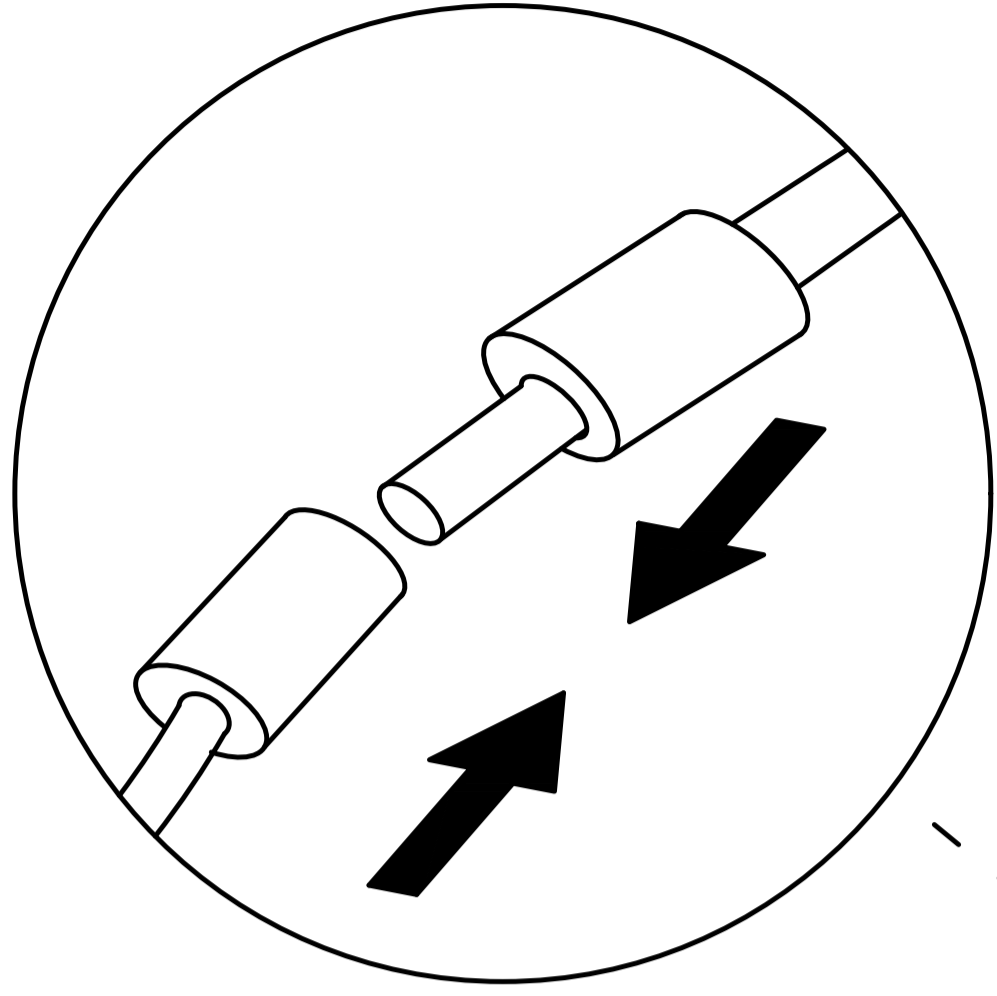
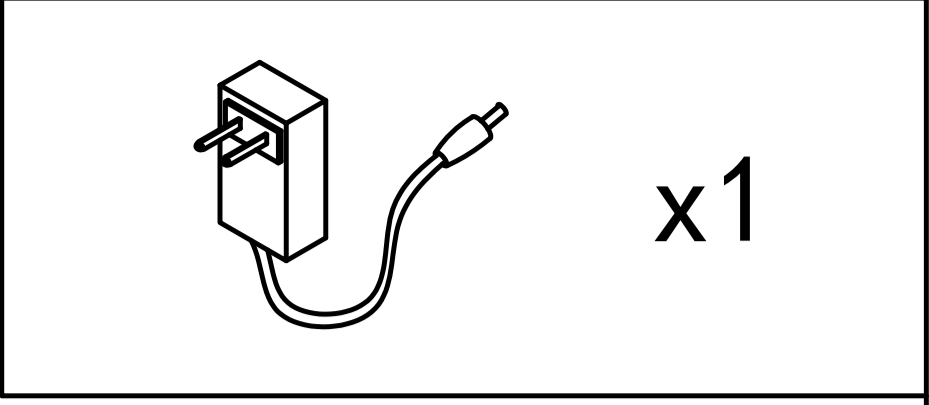
As shown, When installing the drawer, pull the guide rail out first, Slide beads are also pulled out.

# Step 38



If a large gap is found after installing the drawer the slide rail can be moved up and down to adjust the gap

Step 39



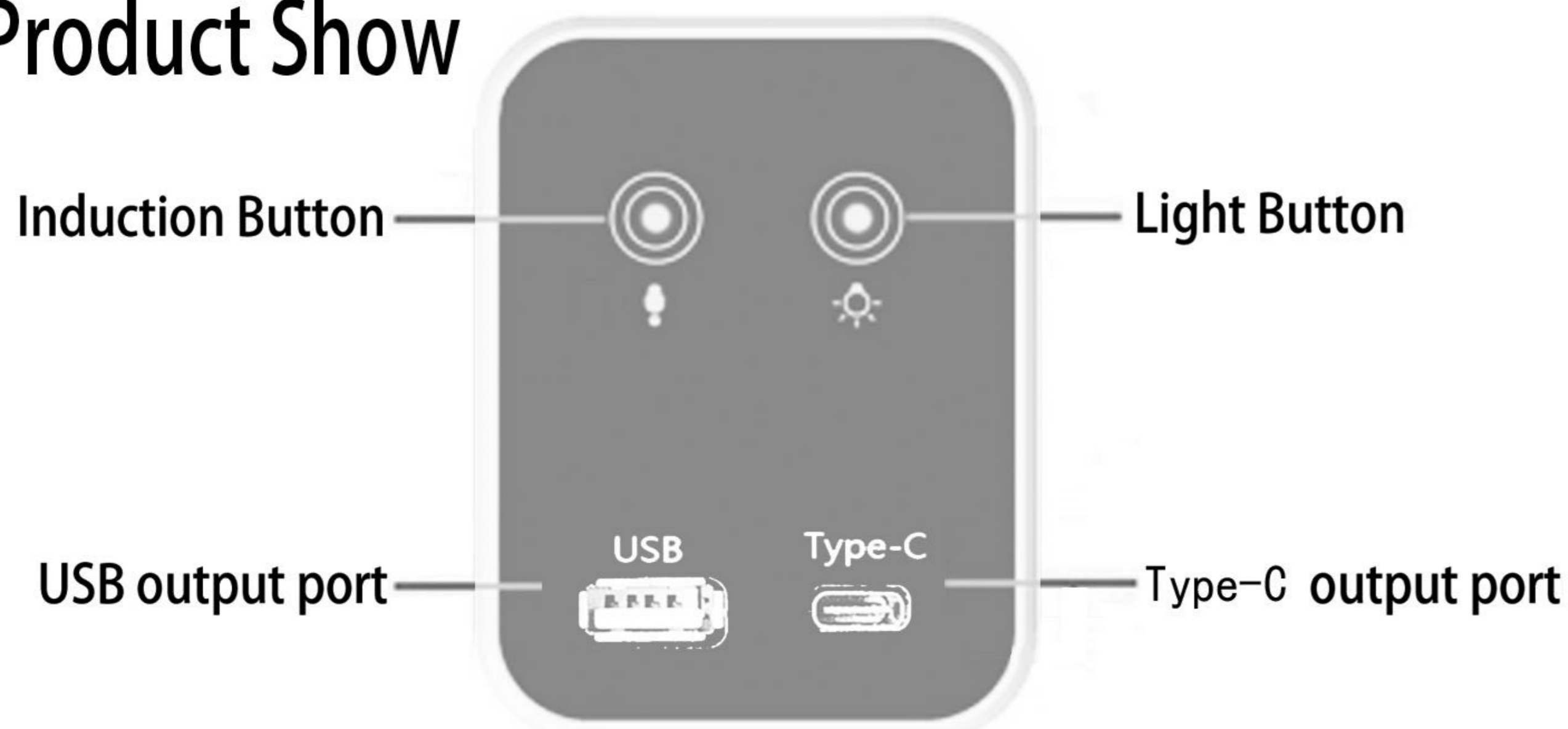
## User's Guide

Thank you for purchasing this product. To use this product, please plug it into a 12V DC power supply. Please use if the product works normally after connecting to power.

## Introduction

The box is an intelligent controller. It has 1 USB port and 1 type-C port and can distribute the current output up to 5V DC-2A. With 2 touch buttons, it can turn ON/OFF the light, change light colors, and adjust the light luminance.

## Product Show



### ATTENTION PLEASE

1. If there is no touch response suddenly, Re-plug the power to reset the touch static electricity.
2. If bubbles appear on the panel, remove the protective film.

## Operation



This touch button is used to turn on/off, change colors, and adjust brightness.

A. Short touch -> lighting on -> short touch -> change light color -> short touch -> change light color -> short touch -> lighting off. B. Long touch -> adjust the luminance



This touch button is used to turn on/off the induction function.

A . Short touch to turn on the induction function. It can auto-turn on the light when people are close to the controller in 1 meters. It can auto power off the light when the body is far away from the controller after 30 seconds.

B . Long touch to turn off the induction function.

C . Note: When you touch the light button to change the light modes, the induction function will automatically turn off. It is best to turn on this function after selecting the light color and adjusting the brightness you want.