





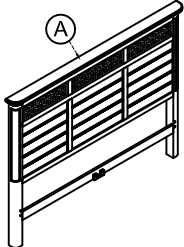
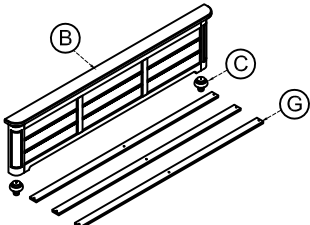
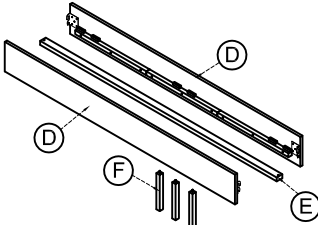
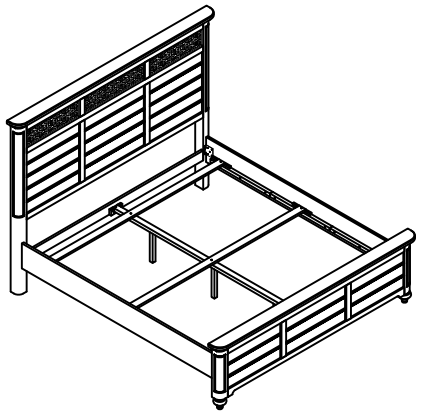


# King/ Queen Bed Assembly Instructions

## Components and Hardware List

Allen Head Bolt Ø8 x 20mm  (H1) 8 pcs.	Lock Washer Ø9 x Ø13mm  (H2) 8 pcs.	Flat Washer Ø8 x Ø20mm  (H3) 8 pcs.	 (H4) 1 pc.	Wood Screw Ø4 x 35mm  (H5) 2 pcs.	Wood Screw Ø4 x 30mm  (H6) 9 pcs.
BOX #1 A. Headboard 1 Pc 	BOX #2 B. Footboard 1 Pc C. Leg 2 PCS G. Bed Slats 3 PCS 	BOX #3 D. Siderails 2 Pcs E. Center Support 1 Pc F. Leg Support 3 Pcs 			

Be sure to check all packing material carefully for small parts, which may have come loose inside the carton during shipment.

