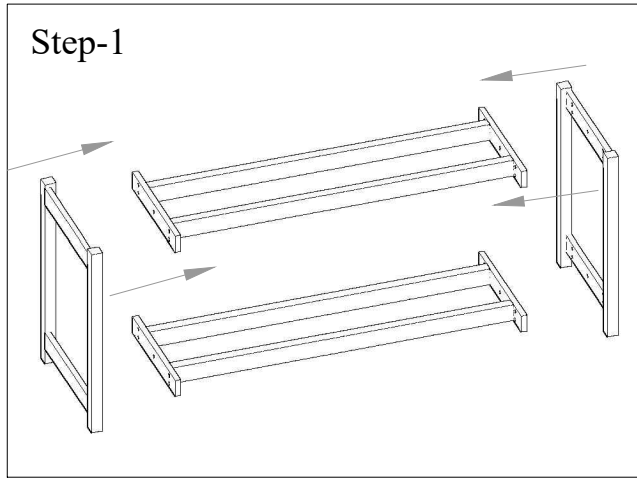


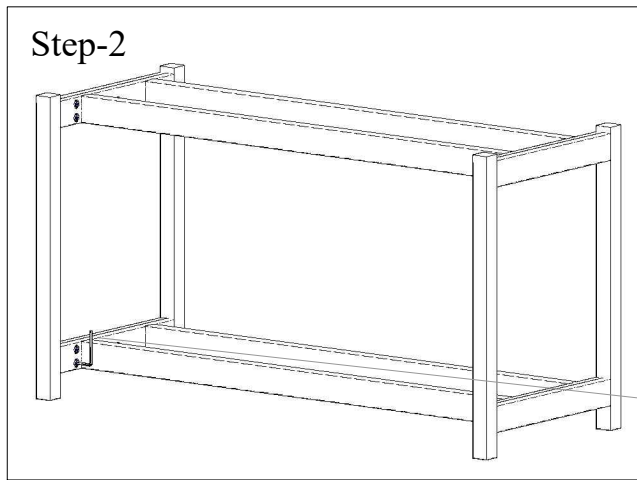
ASSEMBLY INSTRUCTION

1

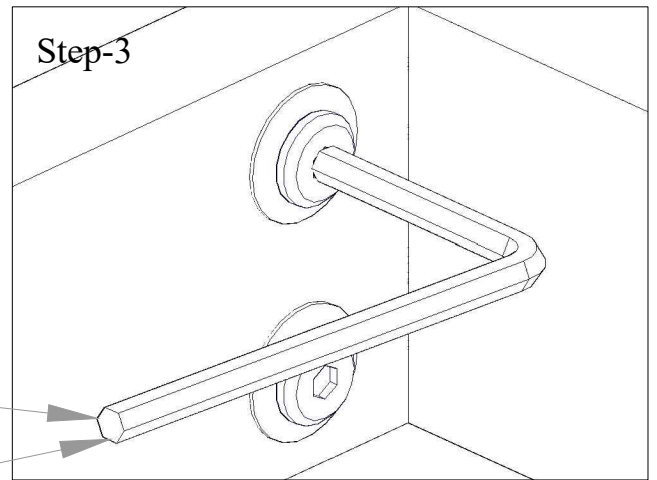


Counter Table			
S. No.	Product Image	Description	Qty.
1.		Marble Top	1
2.		Wood Leg	2
3.		Wood Stretcher	2
4.		Bolt (8mm x 30mm)	20
5.		Washer	20
6.		AllenKey	1

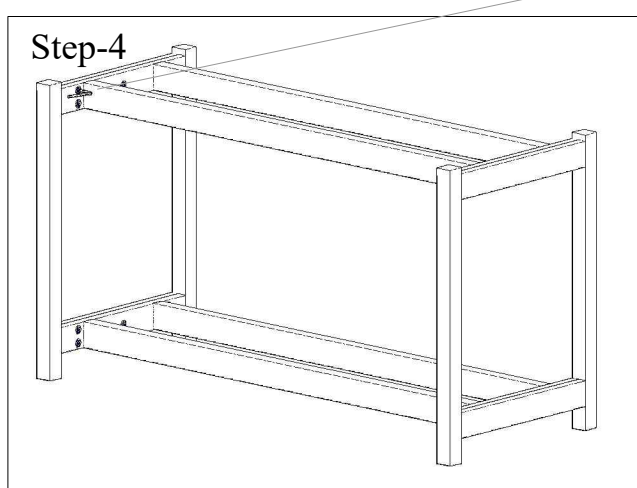
2



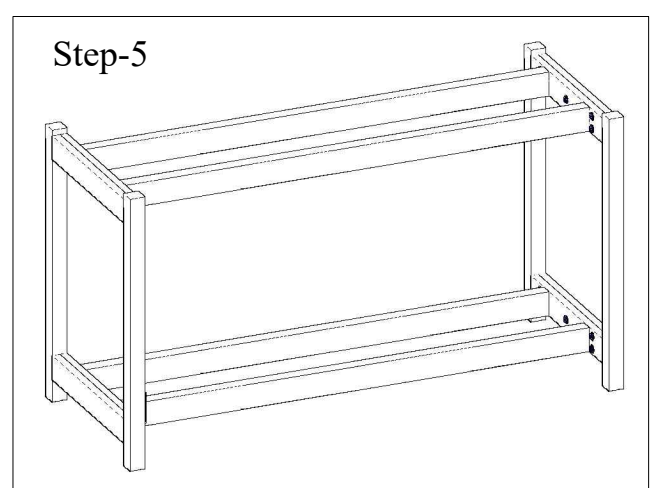
3



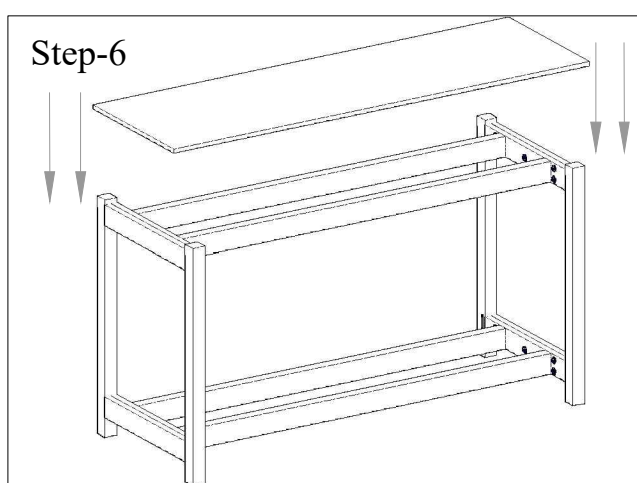
4



5



6



7

