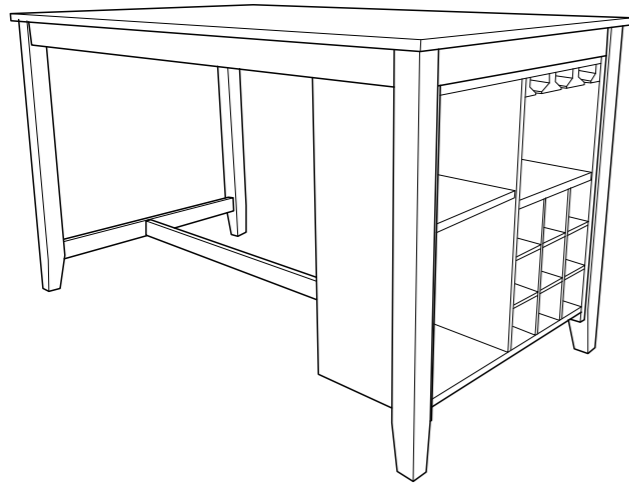




SKU: KHD-AE-T28-P1&P2

BRN & GRY & DBN

Lot No.: SK-NO.1



Table

Assembly Guide

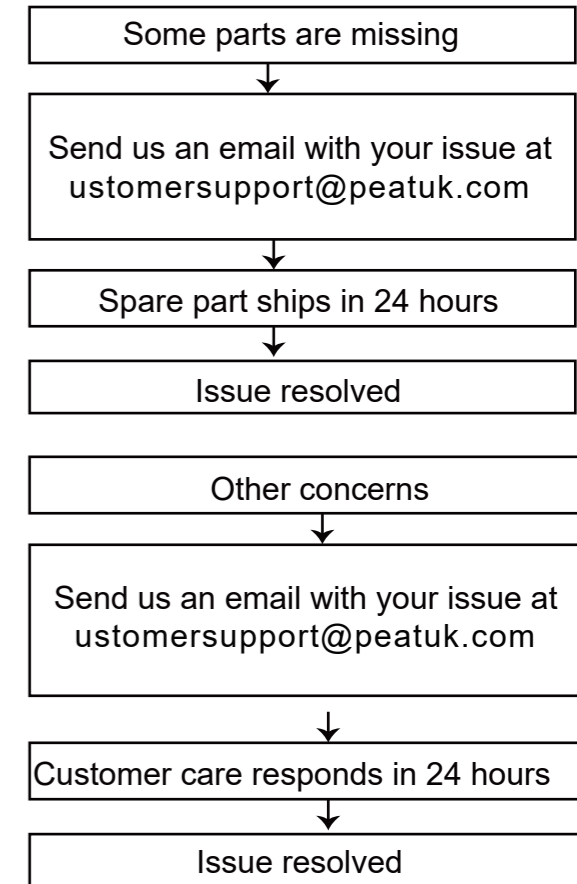
Tip!

Do check for all the components and screws listed in this guide before putting things together. If any part is missing, contact us at ustomersupport@peatuk.com for the missing part.

Return Policy

Your satisfaction is our top priority. If our product fails to satisfy you, please let us know how we can make things right for you. Our trained customer care team can handle most concerns and assist you with any questions you may have. Simply shoot them a message at ustomersupport@peatuk.com with your order number and question. To be eligible for a full-refund return, the item must be in pristine condition, in the original packaging, with all of the shipped components intact and not yet assembled, and with the item's unique proof of purchase.

Trouble shooting:

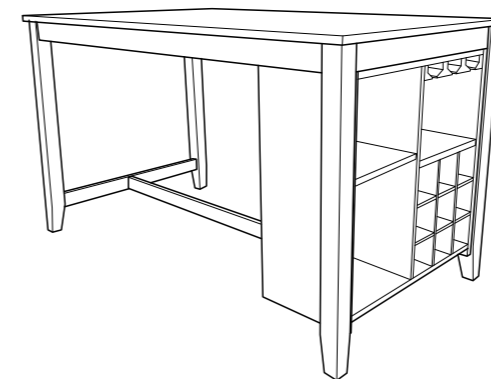


We run our own manufacturer, so rest assured about the quality consistency.

How to find us?

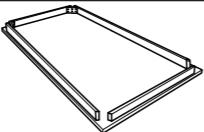
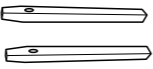
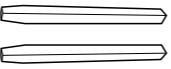
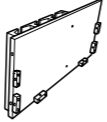
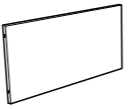
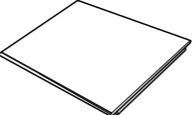
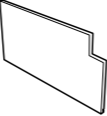
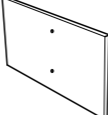
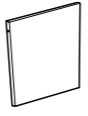
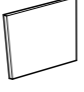


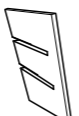
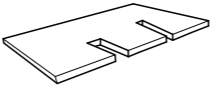
Email: ustomersupport@peatuk.com

Website: www.peatuk.com

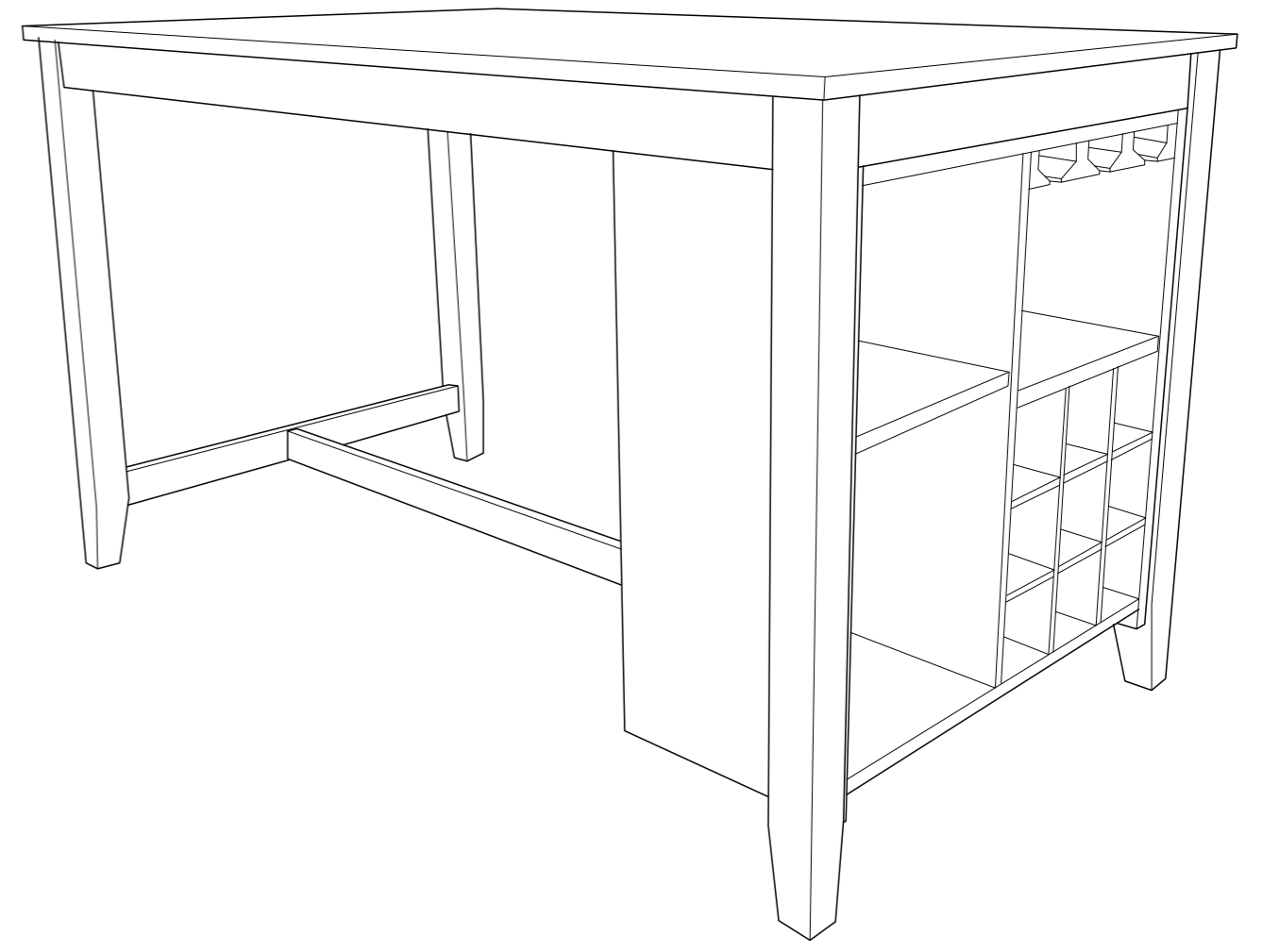


Item Description: Table

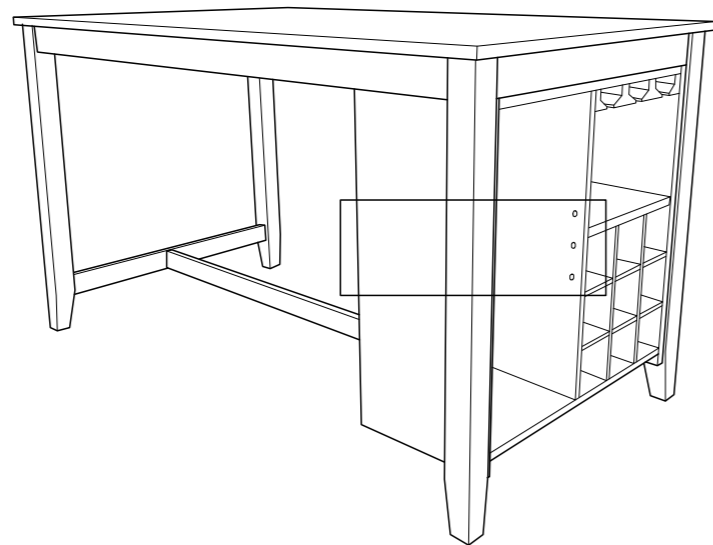
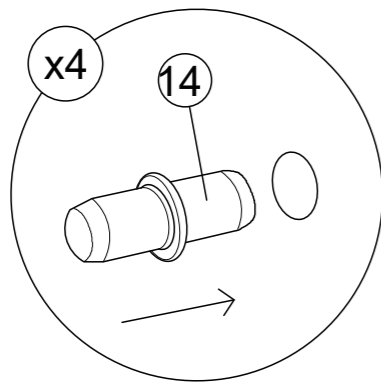
Model NO: SK-NO.1

PART LIST			
ITEM	DESCRIPTION		QTY
A	TABLE TOP		1 PC
B	TABLE LEG (L&R)		2 PCS
C	TABLE LEG FOR RACK (L&R)		2 PCS
D	TOP PANEL WITH RACK		1 PC
E	BOTTOM PANEL		1 PC
F	BACK PANEL		1 PC
G	SIDE PANEL (L&R)		2 PCS
H	CENTER PANEL		1 PC
I	SHELF A		1 PC
J	SHELF B		1 PC
K	CROSS BAR		1 PC
L	TABLE SUPPORT		1 PC
M	VERTICAL SHELF		2 PCS
N	HORIZONTAL SHELF		2 PCS

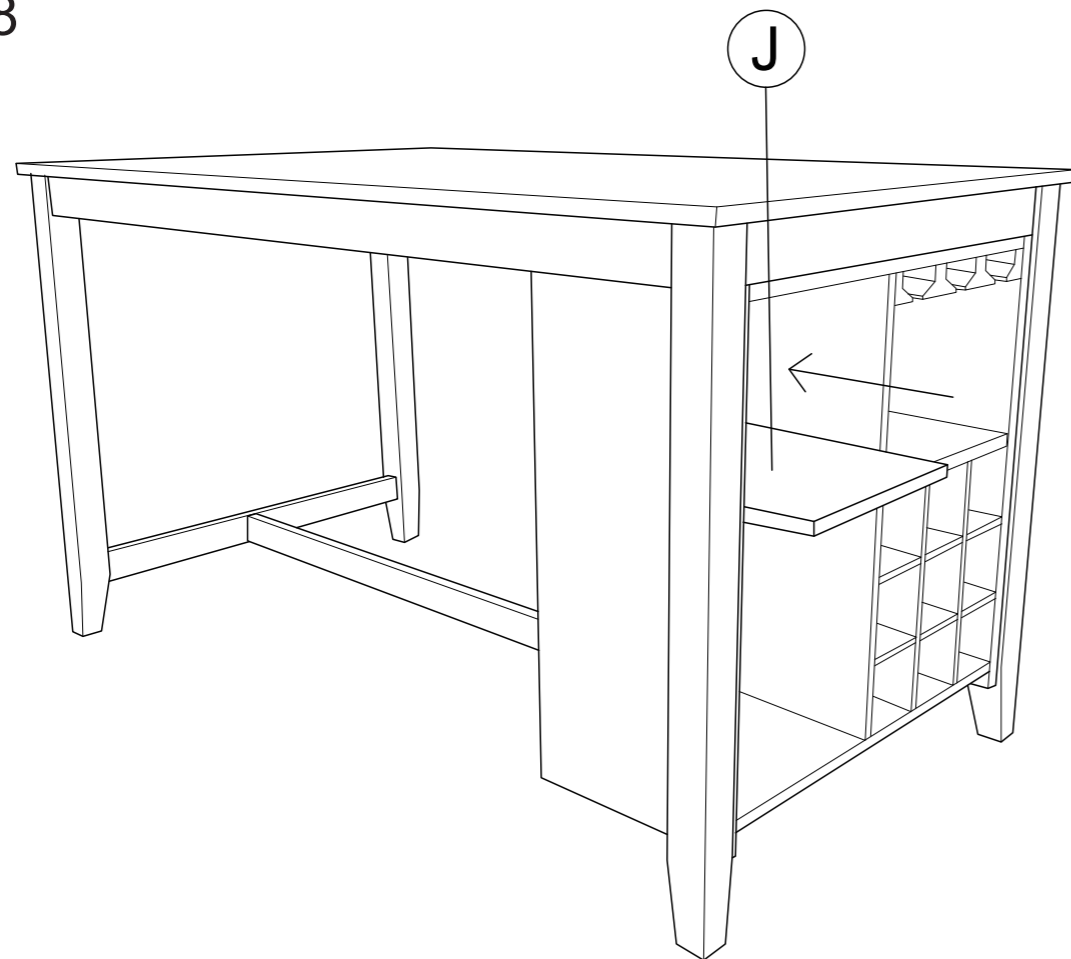
Step 19



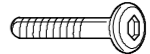
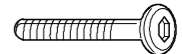
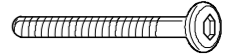





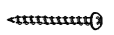
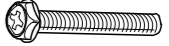


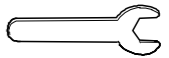
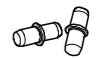
Step 17



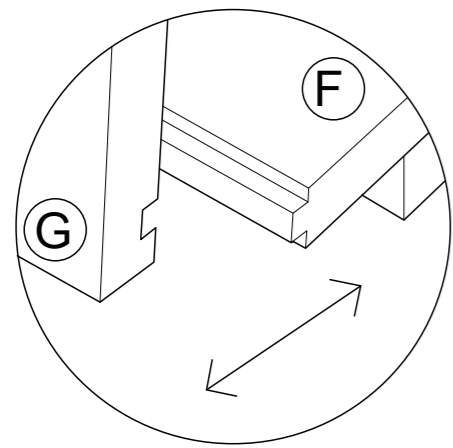
Step 18



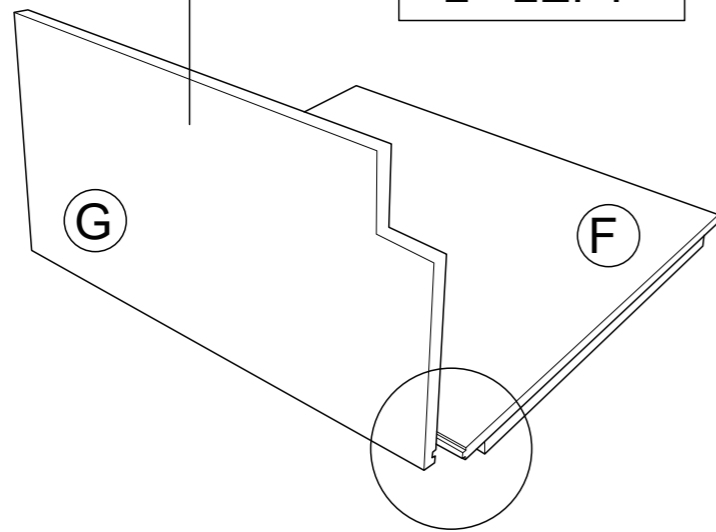
Screws & Tools

1	JCBC SCREW M6 x 35MM		2pcs
2	JCBC SCREW M6 x 40MM		2pcs
3	JCBC SCREW M6 x 50MM		4pcs
4	SPRING WASHER 1/4"		8pcs
5	FLAT WASHER 1/4"		8pcs
6	WOOD DOWEL Ø8 X 30MM		16pcs
7	WOOD DOWEL Ø10 X 35MM		4pcs
8	M4 ALLEN KEY (LONG)		1pc
9	PAN HEAD RATTAN SCREW #8 x 32MM		17pcs
10	HEX COMB SCREW 5/16" x 2 1/2"		8pcs
11	SPRING WASHER 5/16"		8pcs
12	SPRING WASHER 5/16"		8pcs
13	SPANNER 12.8		1pc
14	SHELF SUPPORT PIN		4pcs

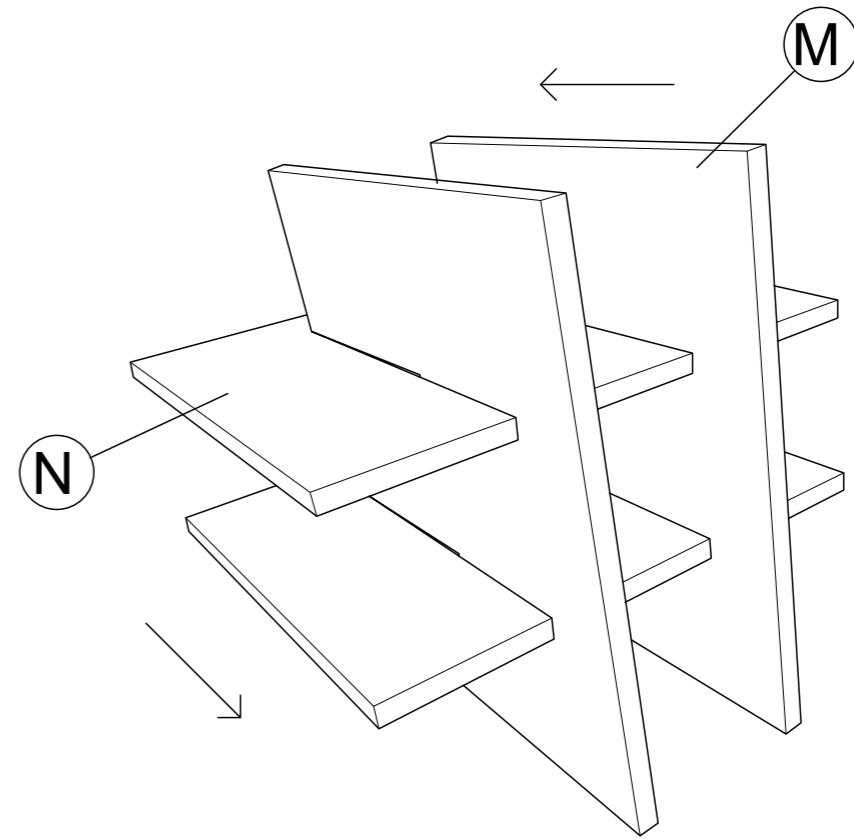
Step 1



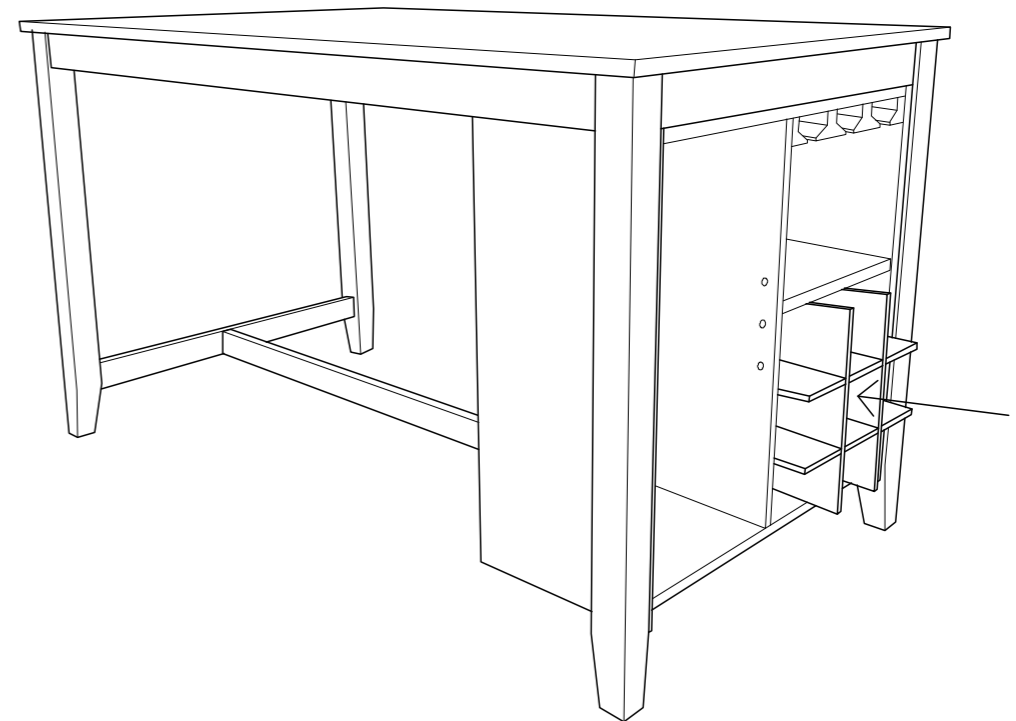
MARKING
L - LEFT



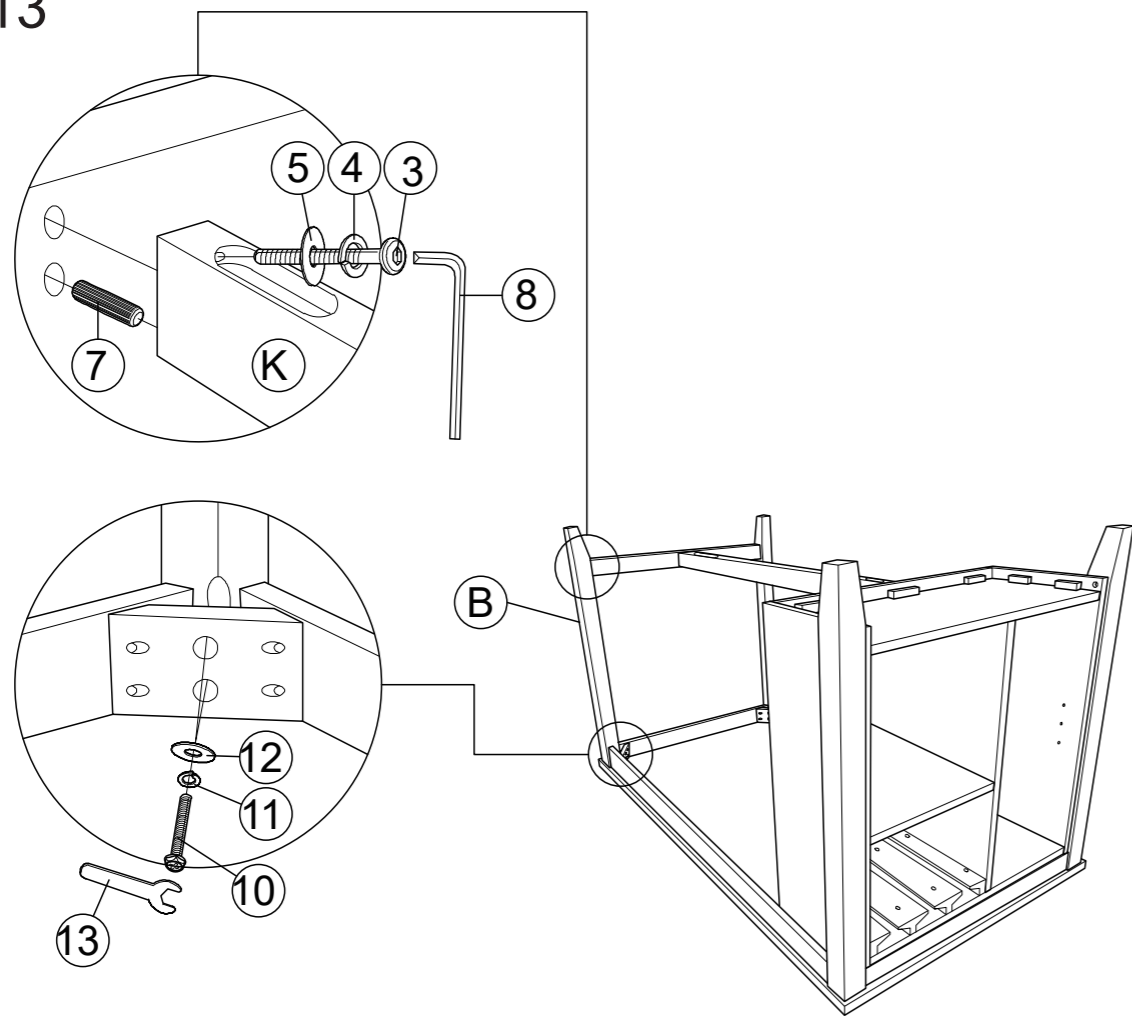
Step 15



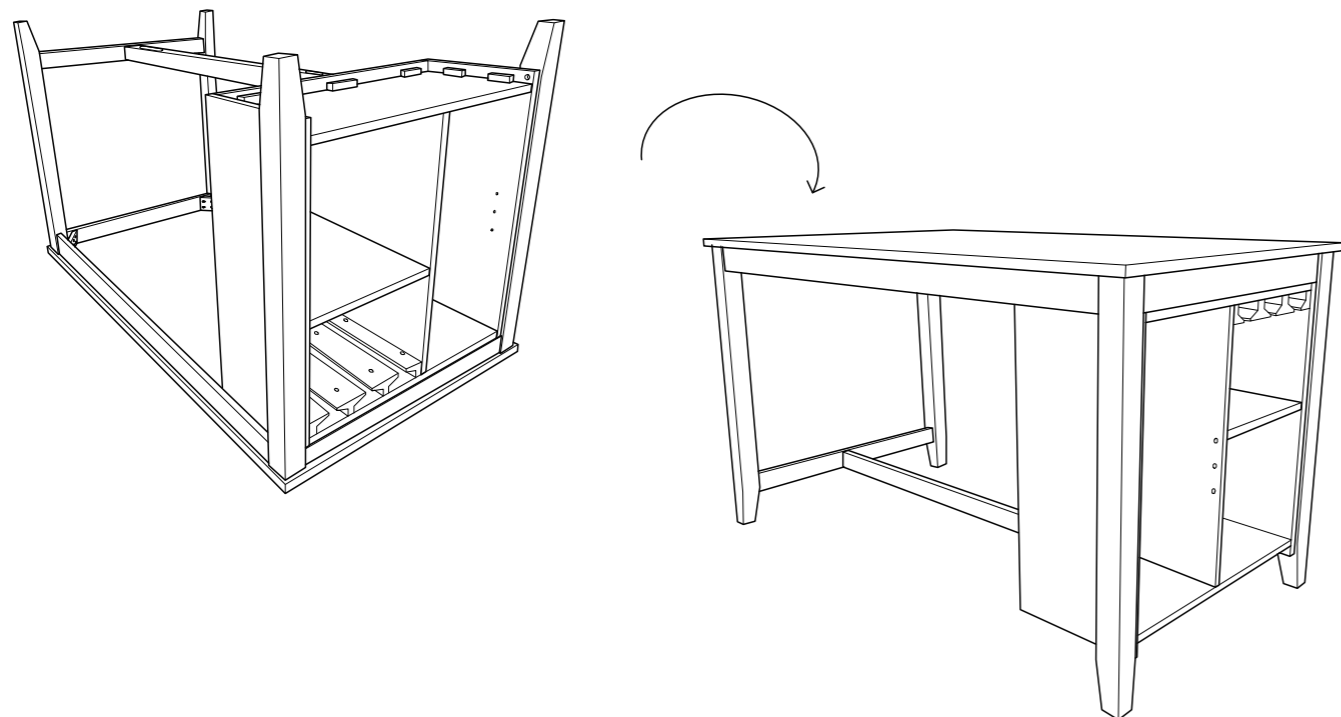
Step 16



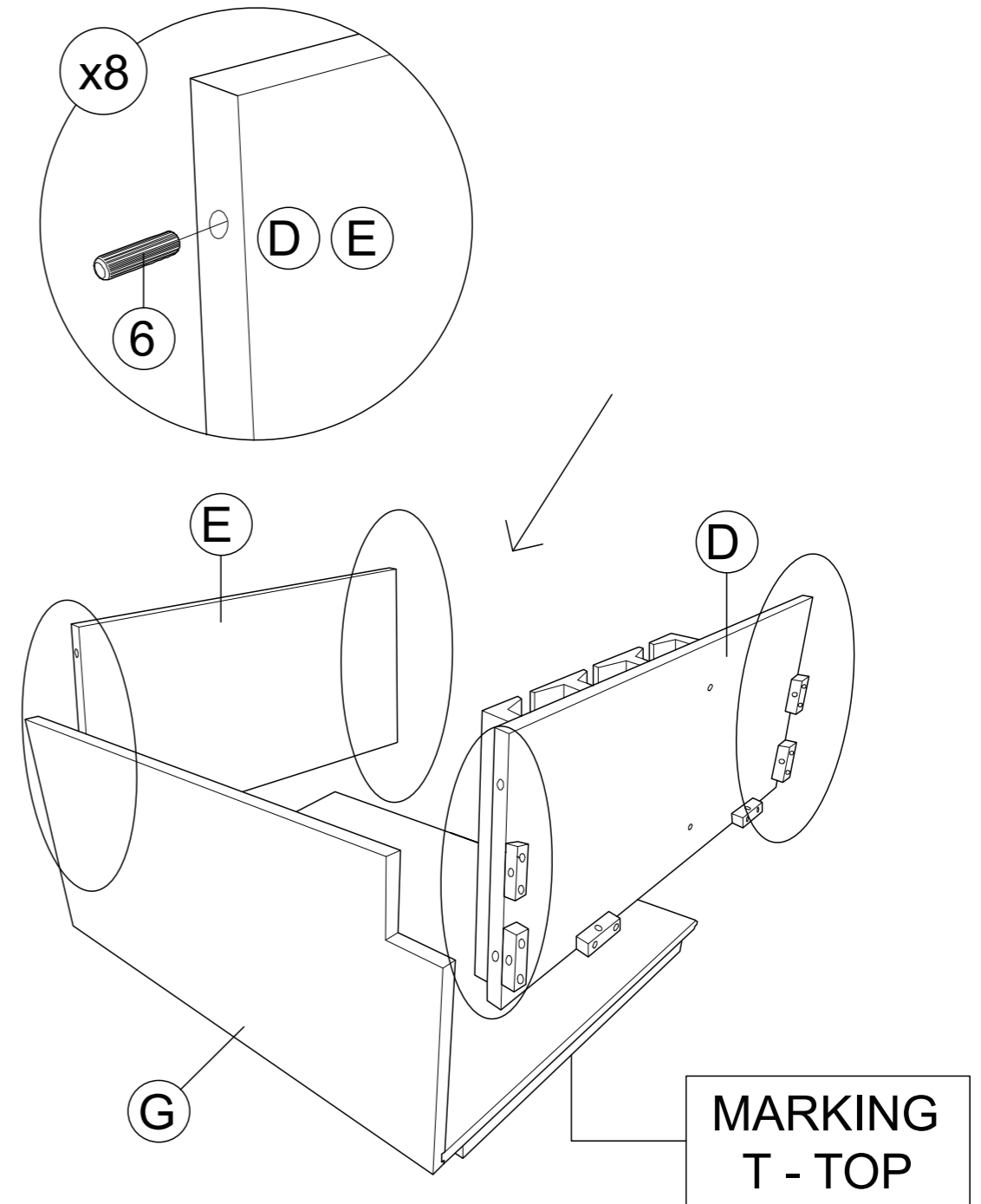
Step 13



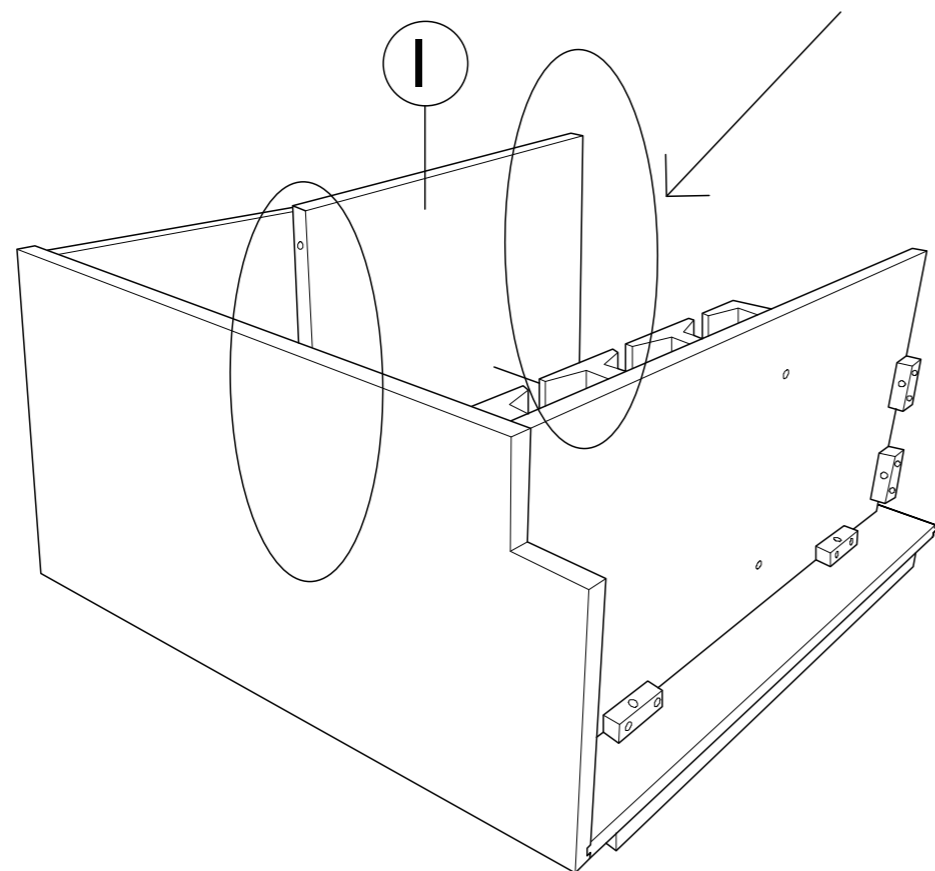
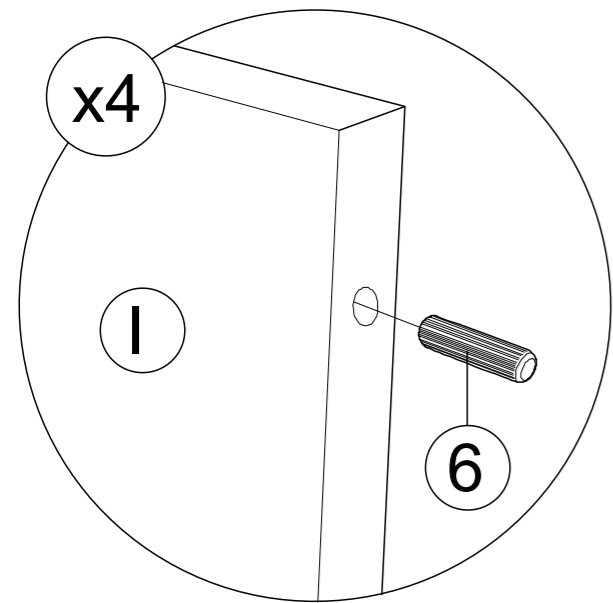
Step 14



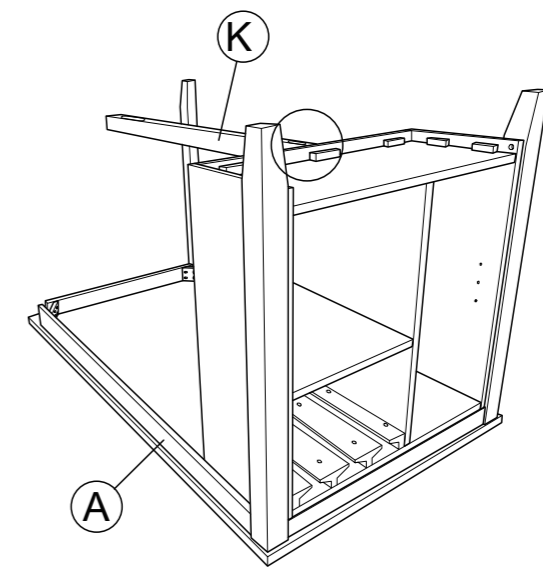
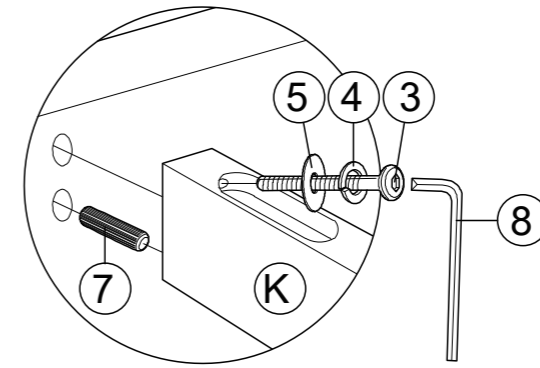
Step 2



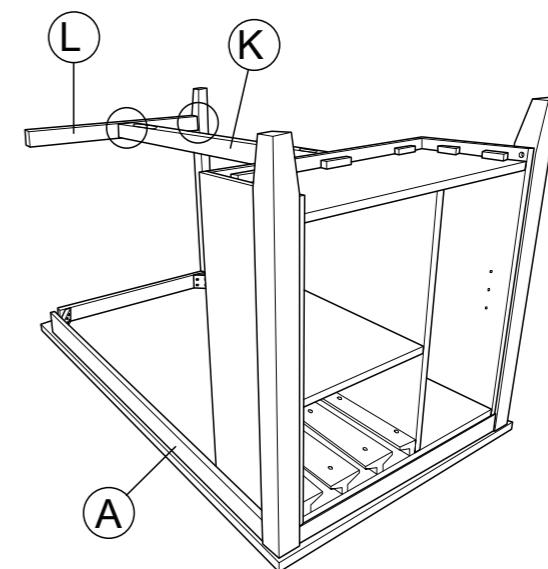
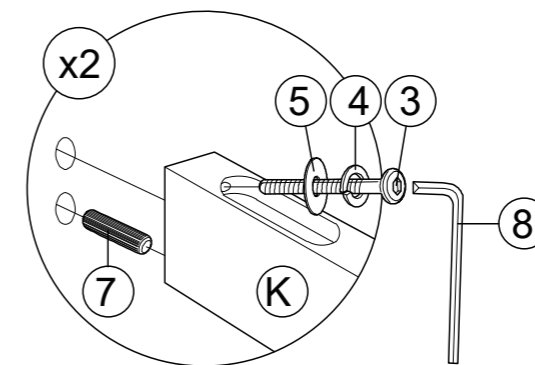
Step 3



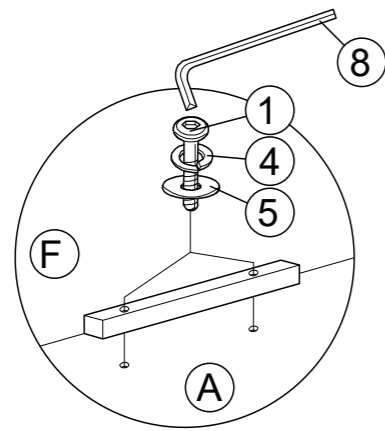
Step 11



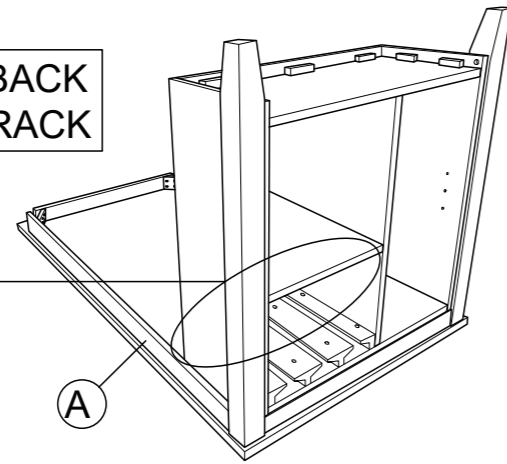
Step 12



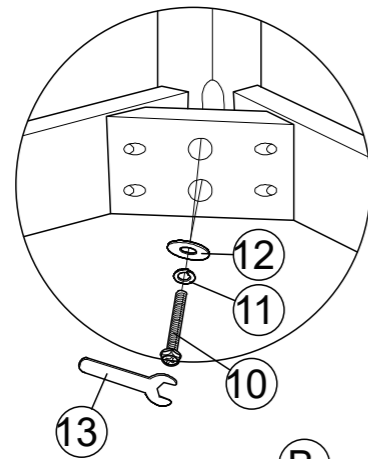
Step 9



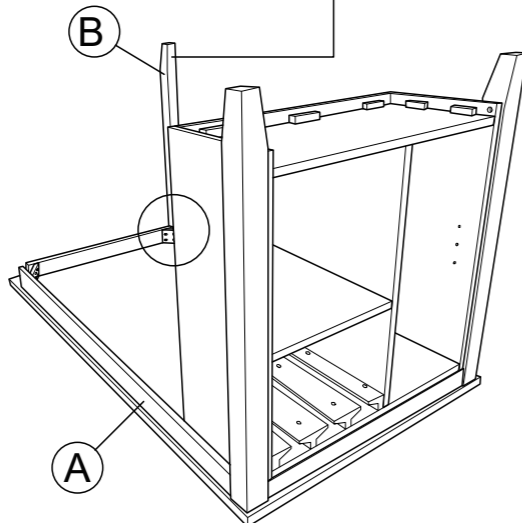
AT THE BACK
OF THE RACK



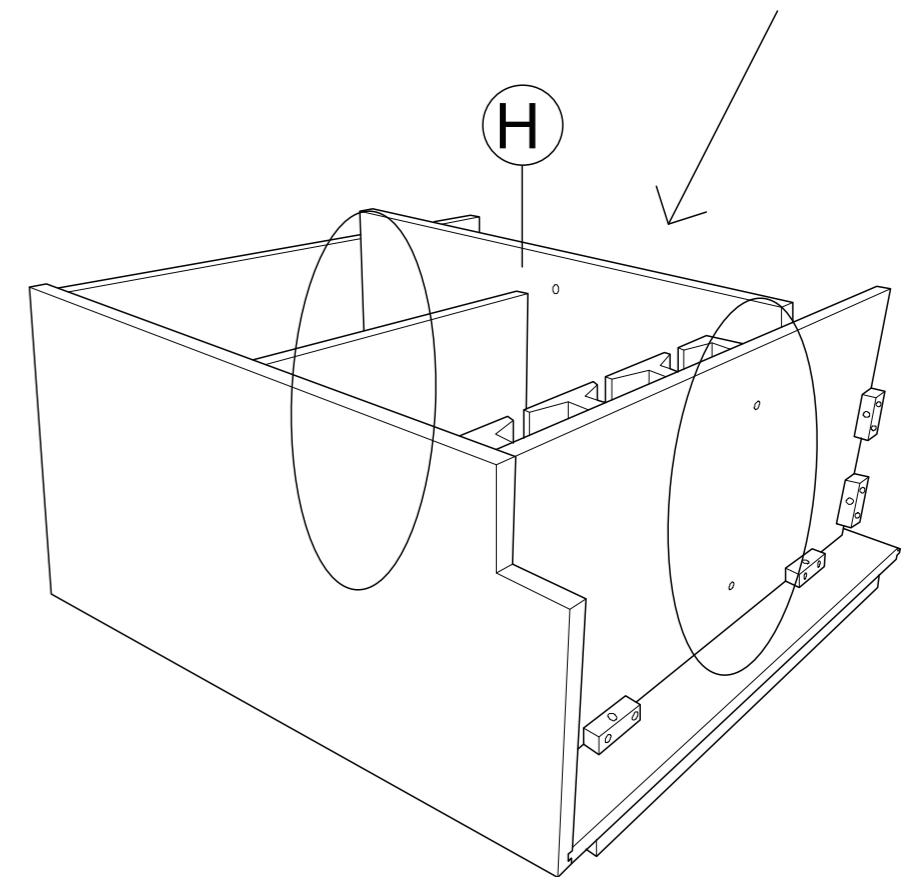
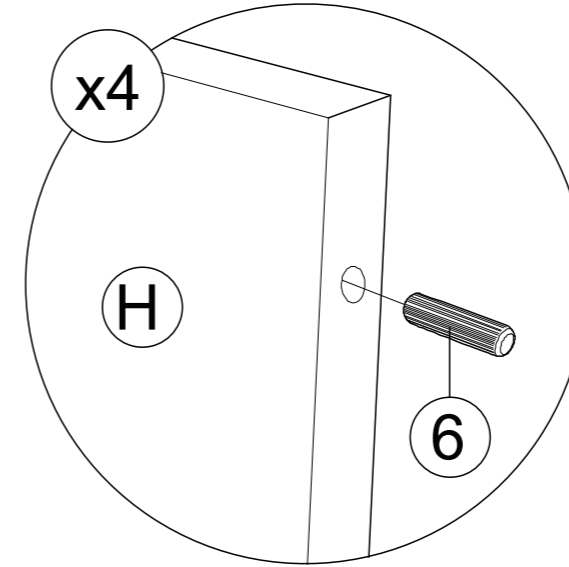
Step 10



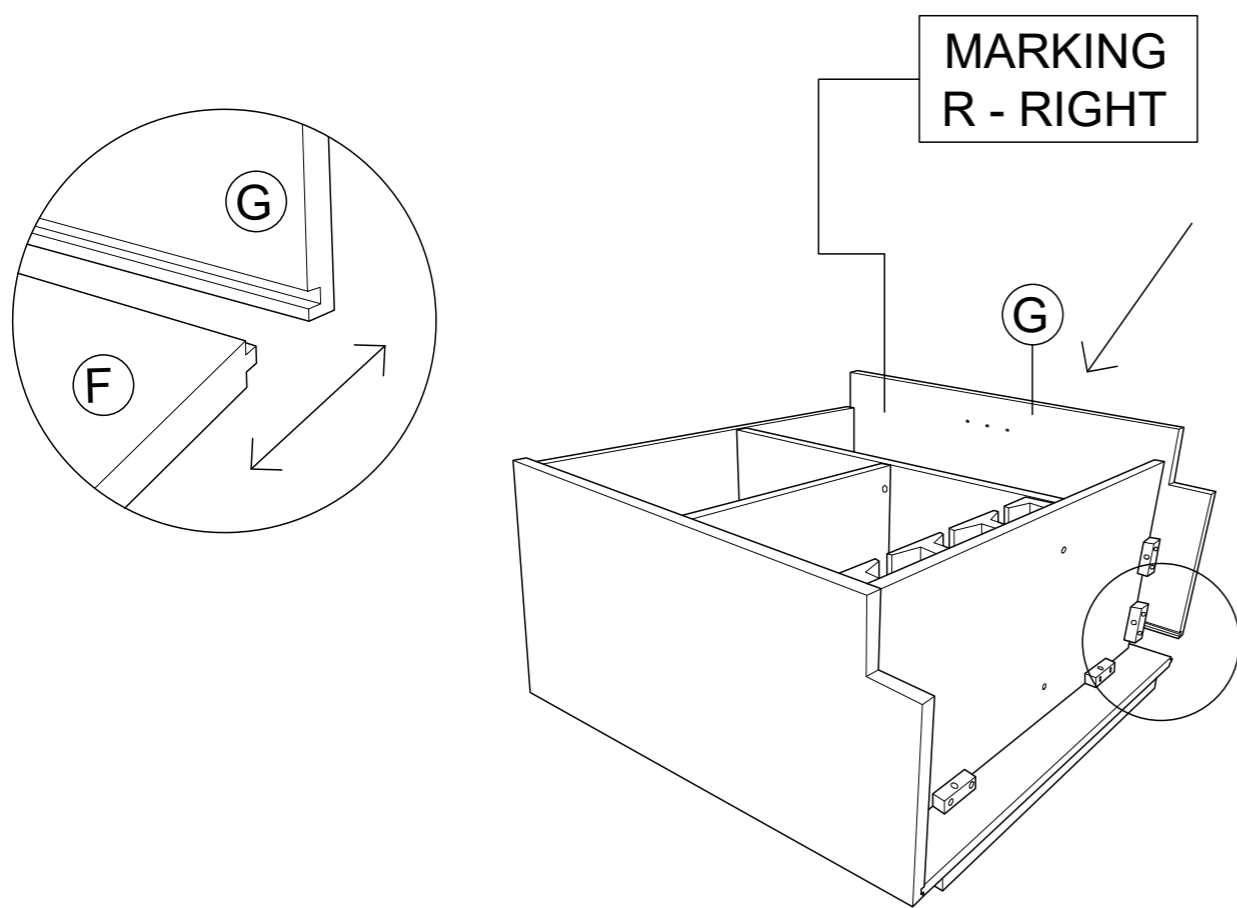
MARKING
R - RIGHT



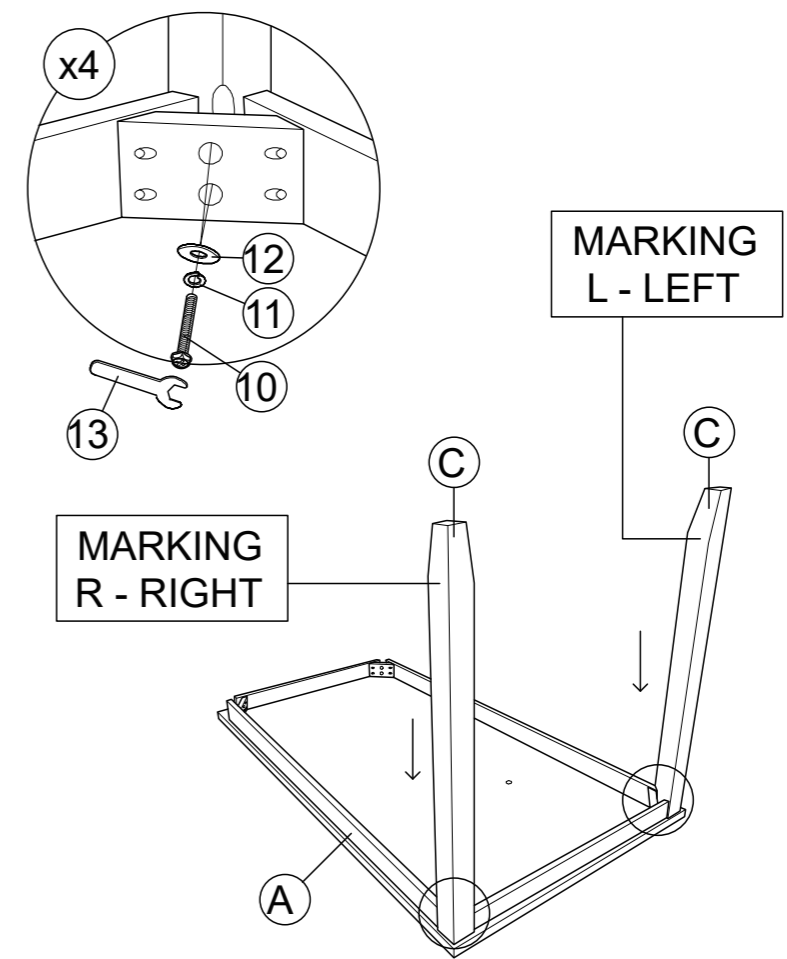
Step 4



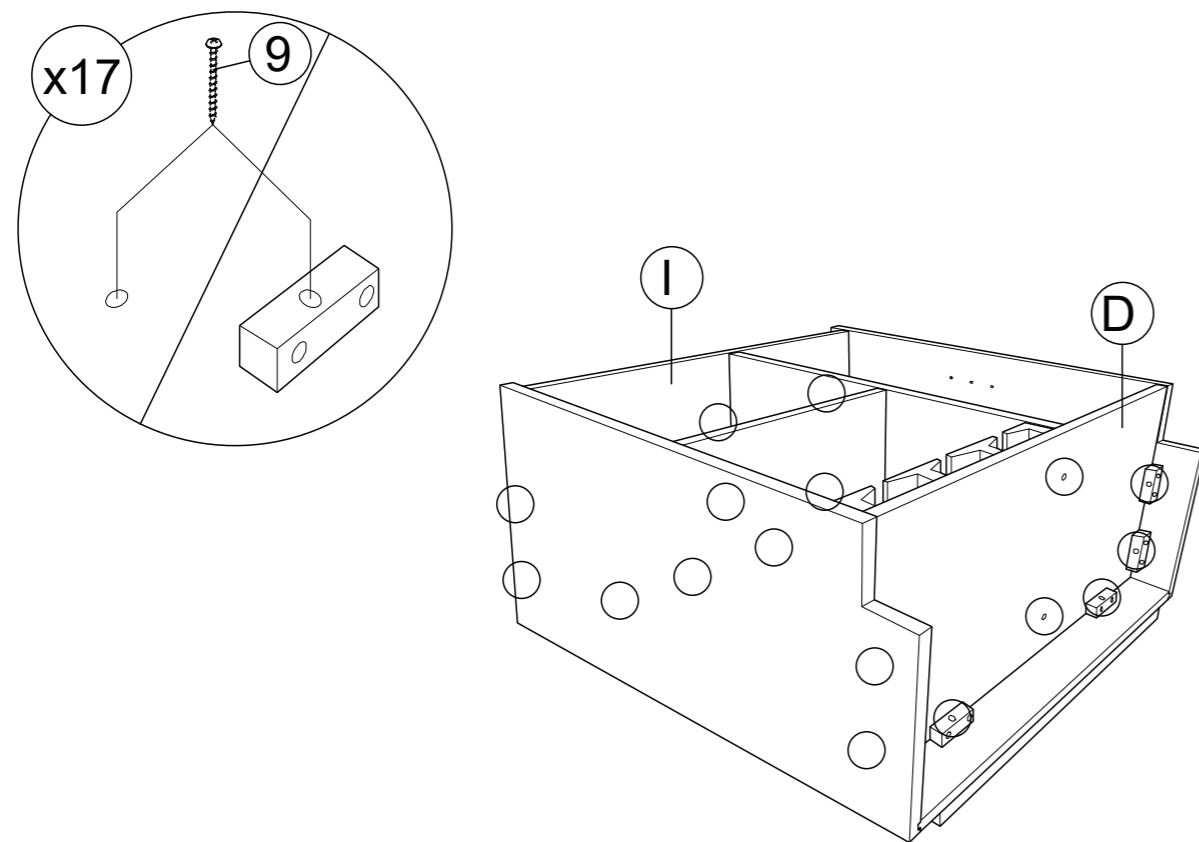
Step 5



Step 7



Step 6



Step 8

