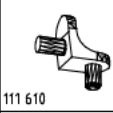
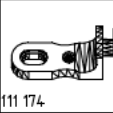

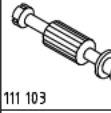
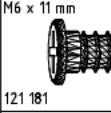
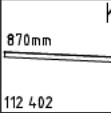
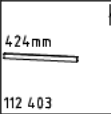
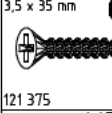
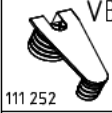
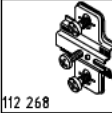
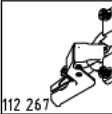
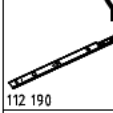
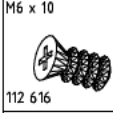
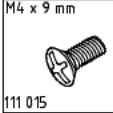

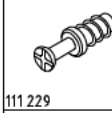
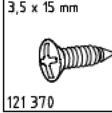
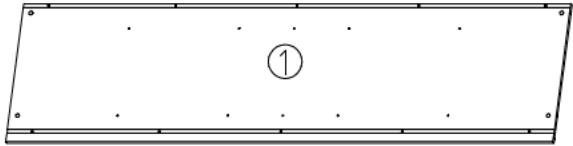
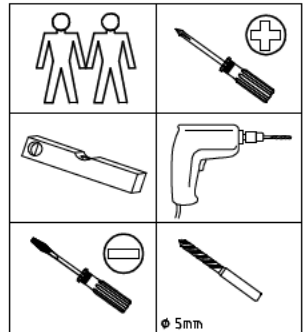
	A	20x
	L7	12x
	J1	6x
	K1	6x

	C	20x
	T6	6x
	K20	2x
	K21	1x

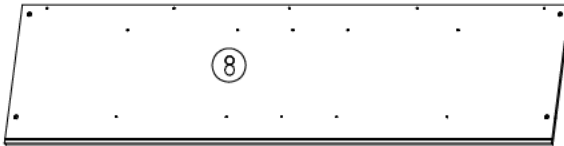
	G14	10x
	VB23	8x
	M	15x
	N	15x

	Y20	8x
	T3	16x
	G8	8x
	Z	3x

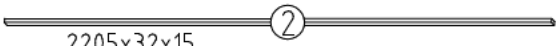
	F	8x
	G1	12x



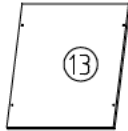
2205x560x15



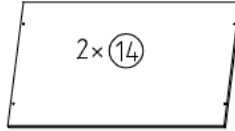
2205x560x15



2205x32x15



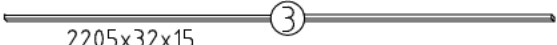
13



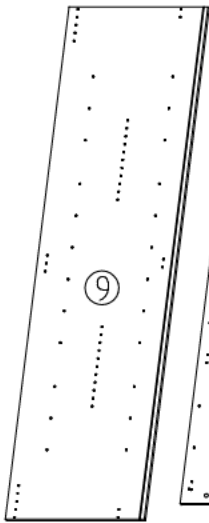
2x 14

429x500x18

873x500x18

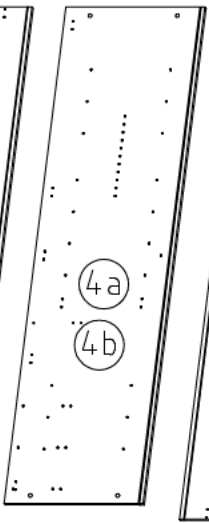


2205x32x15



9

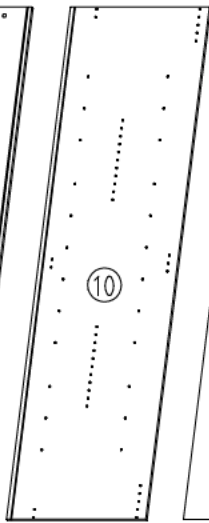
2064x560x15



4a

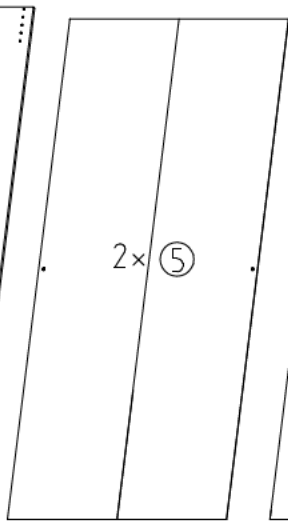
4b

2001x560x15



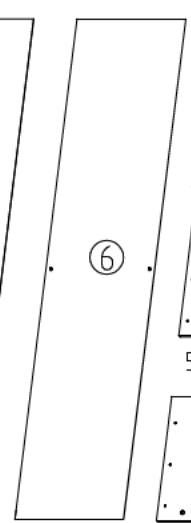
10

2064x560x15



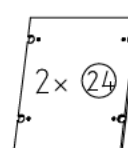
2x 5

2015x882x2,5



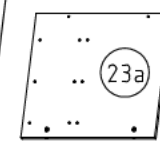
6

2015x438x2,5



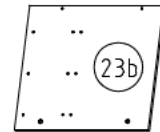
2x 24

429x540x18



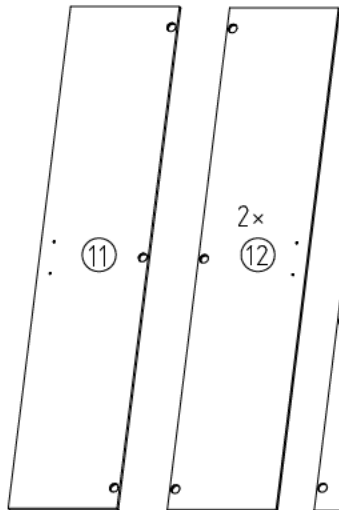
23a

540x505x15



23b

540x505x15

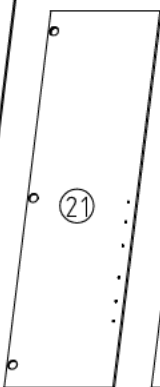


11

2x 12

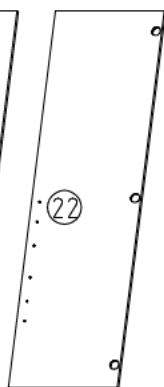
2021x439x15

2021x439x15



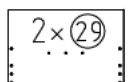
21

1518x439x15



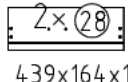
22

1518x439x15



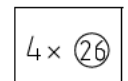
2x 29

439x331x15



2x 28

439x164x15



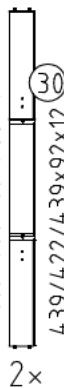
4x 26

408x337x2,5



25

439/422/439x200x12

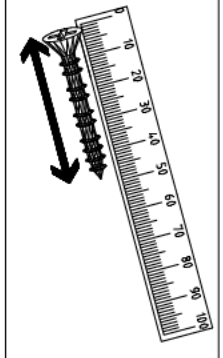
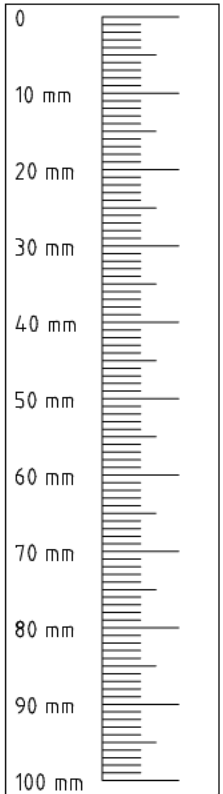


30

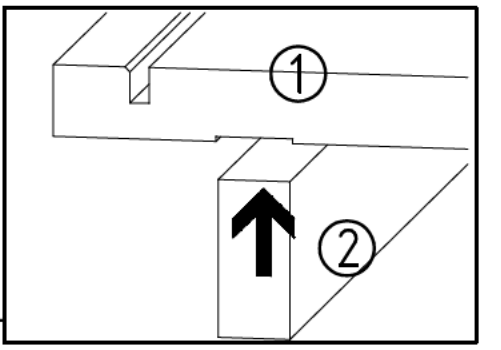
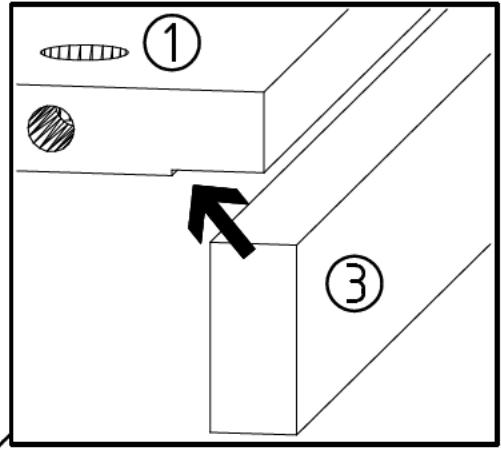
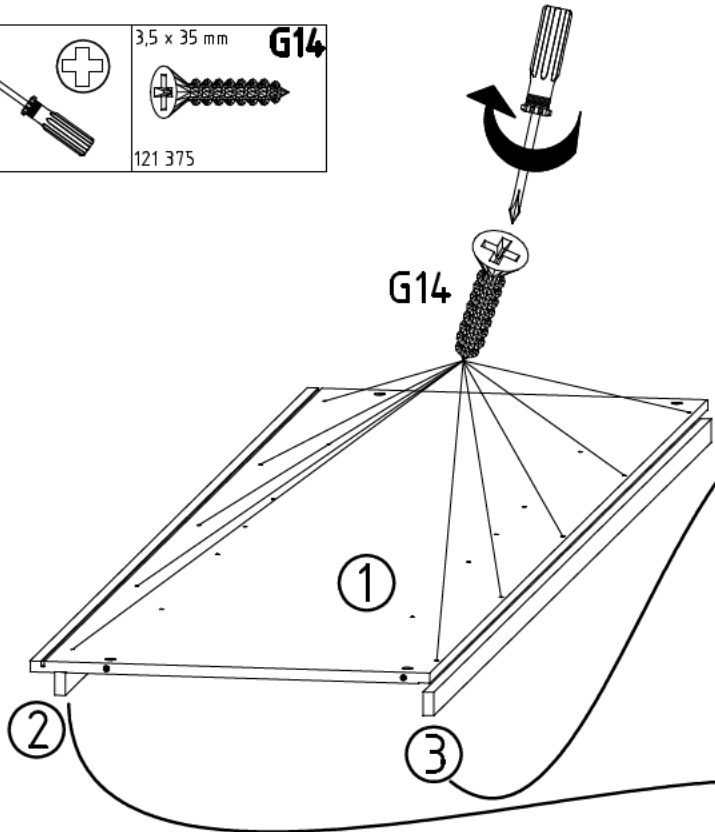
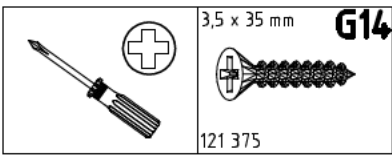
439/422/439x92x12

2x

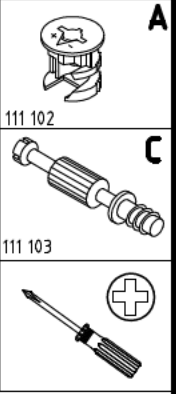
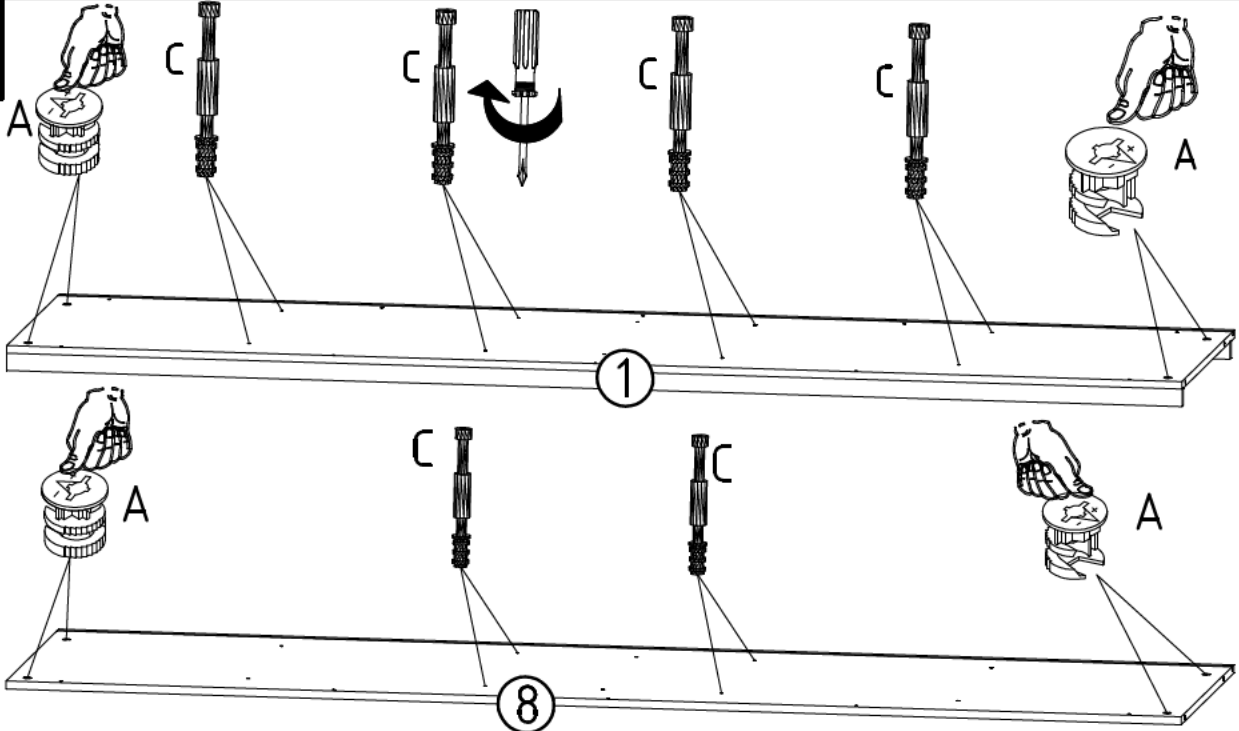
2x



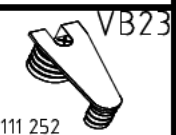
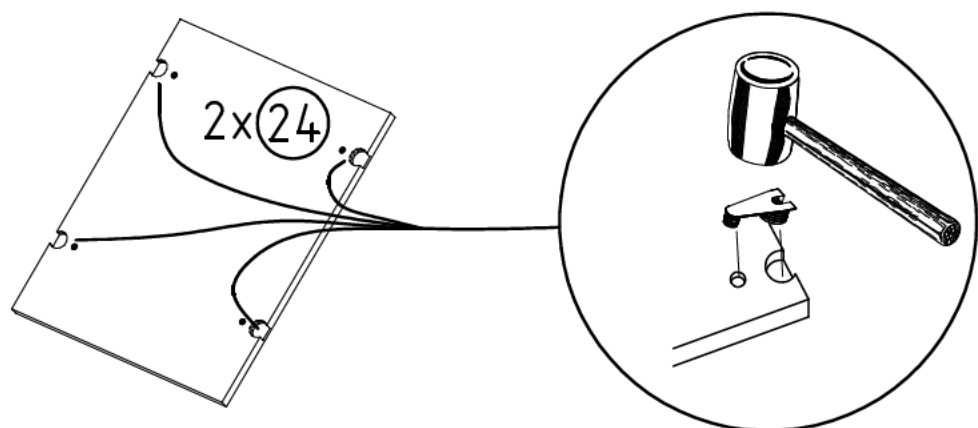
1



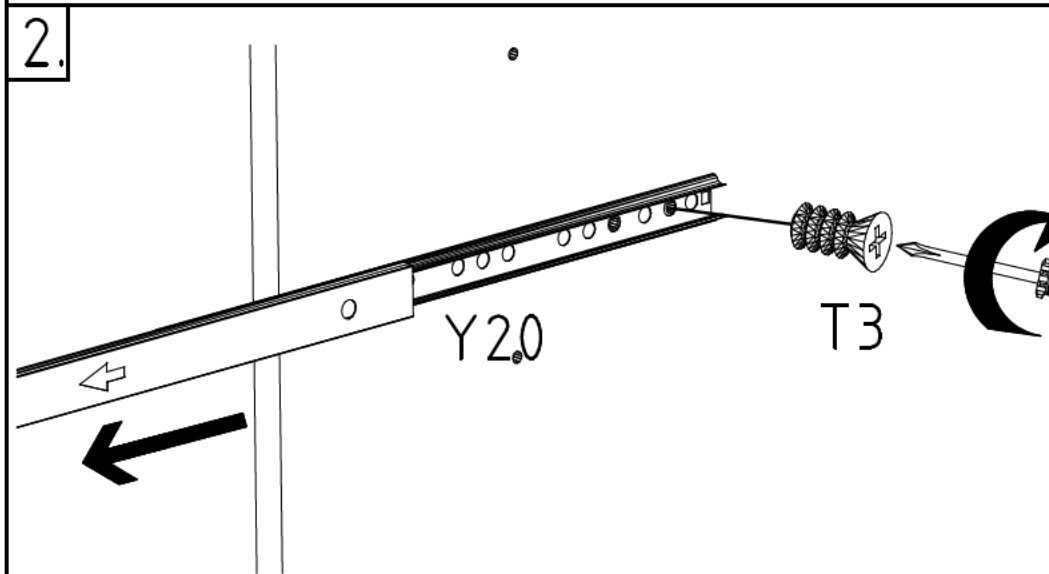
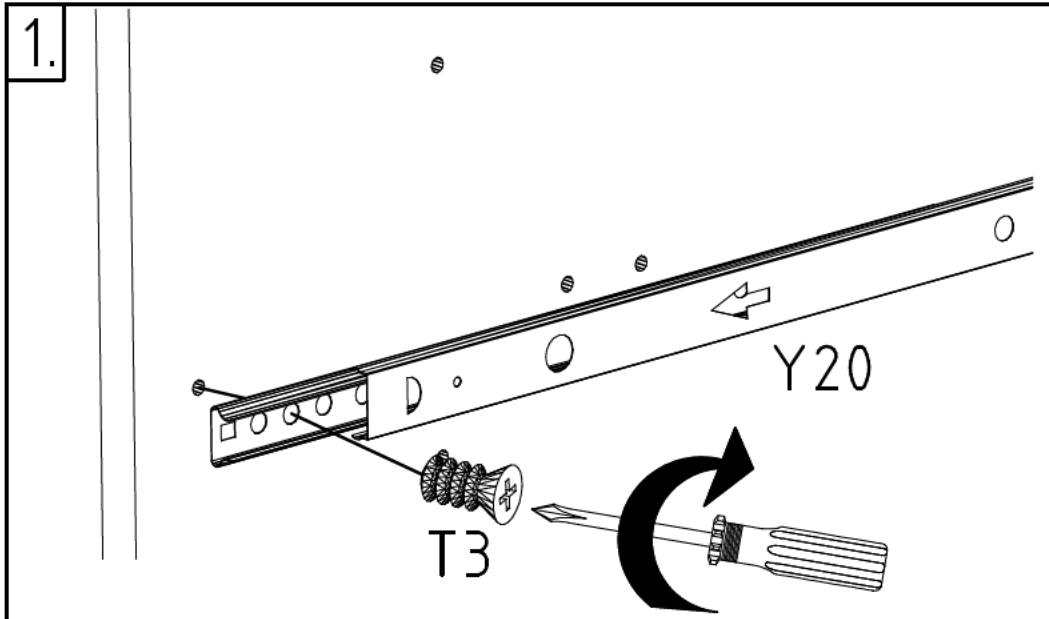
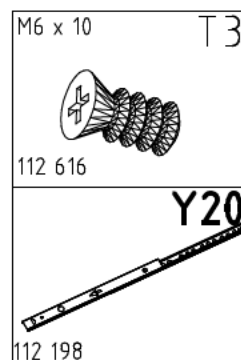
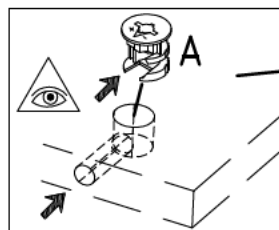
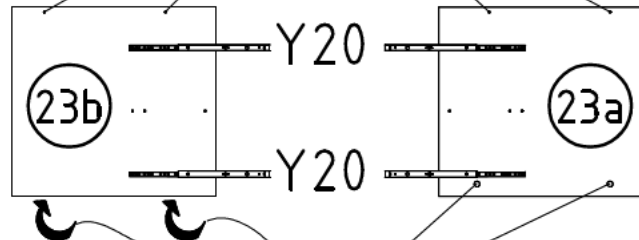
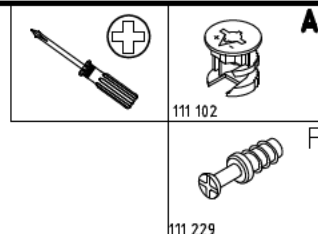
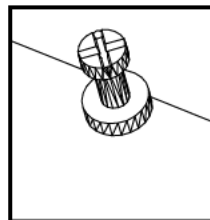
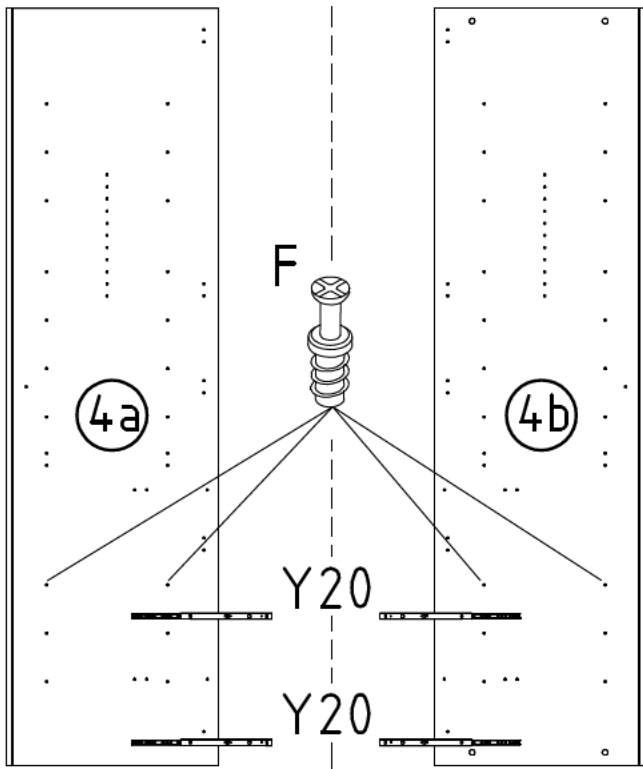
2



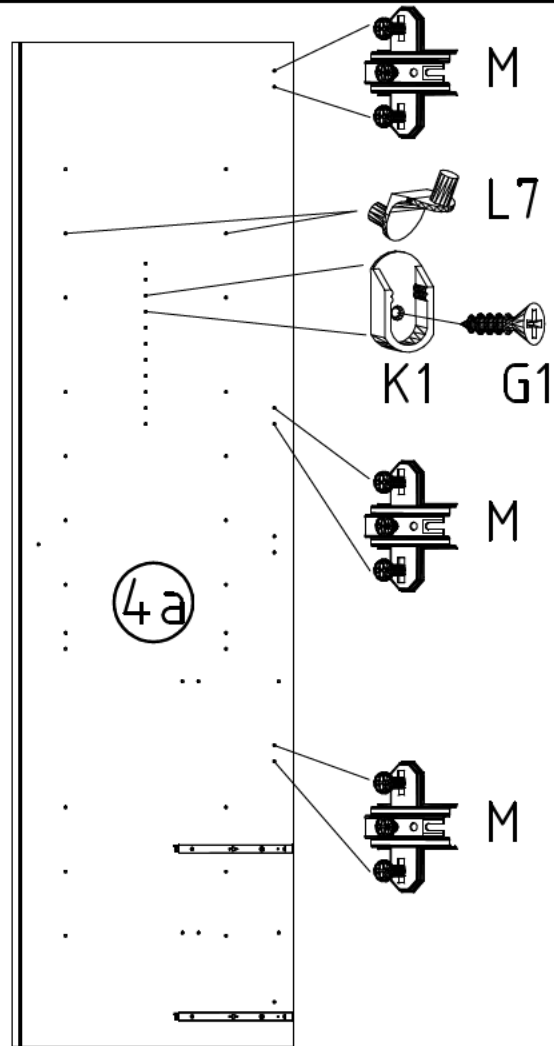
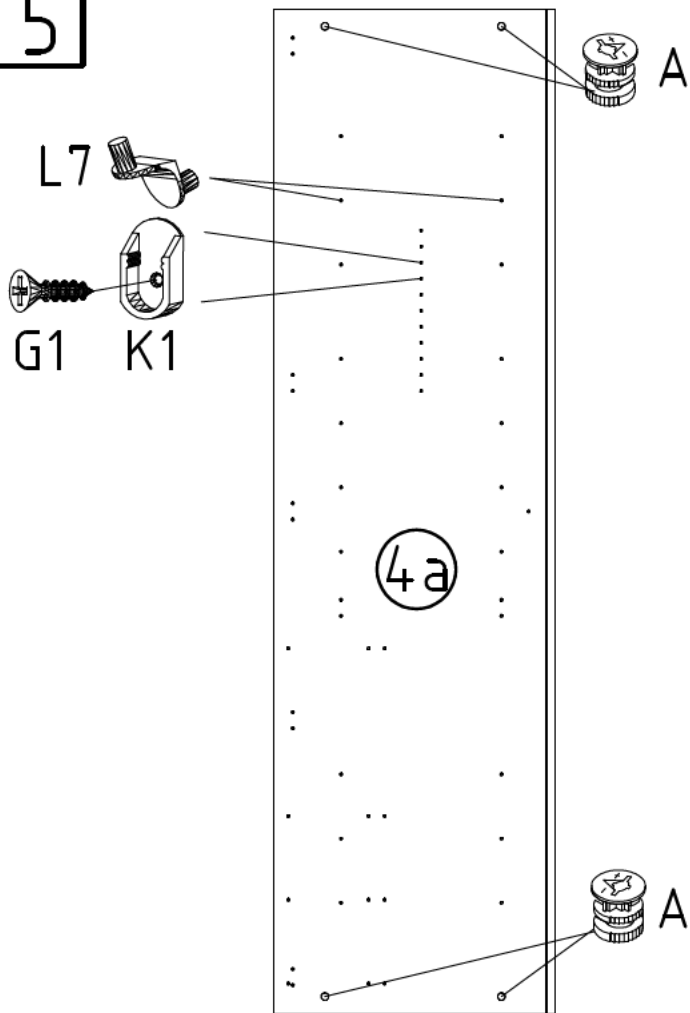
3



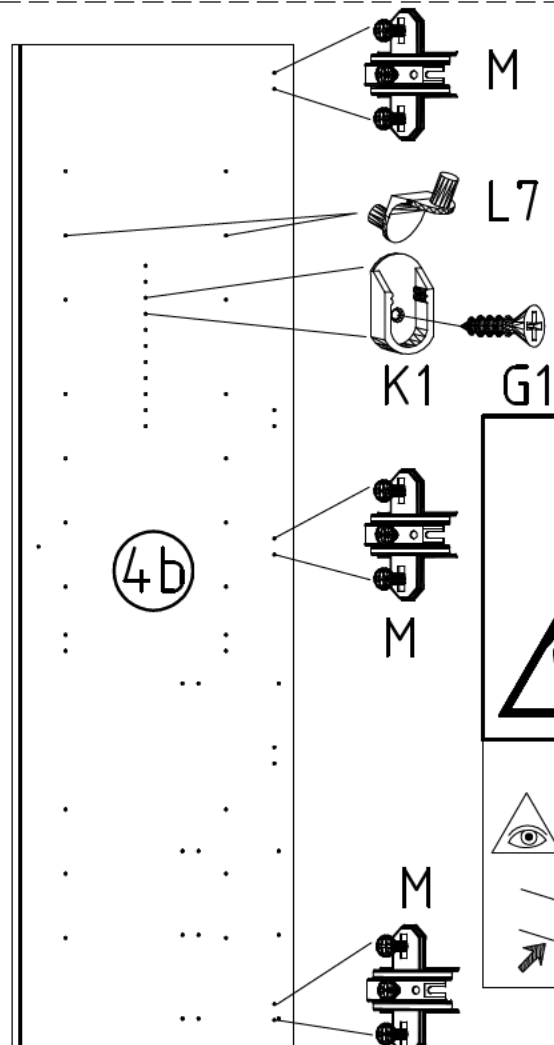
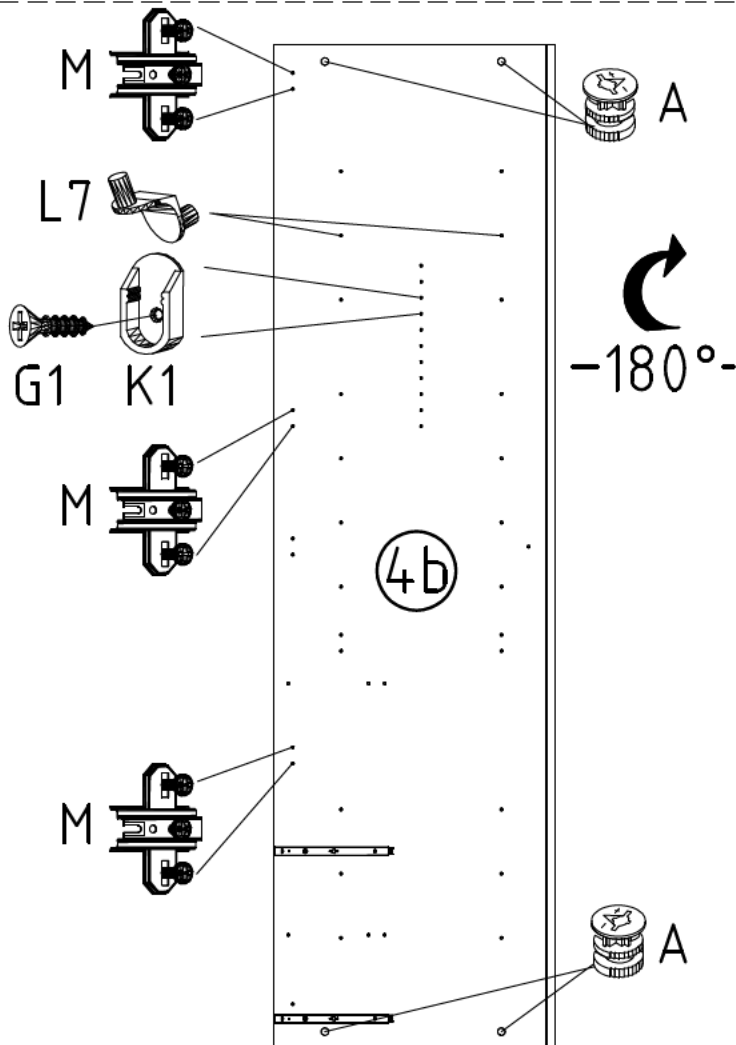
4



5

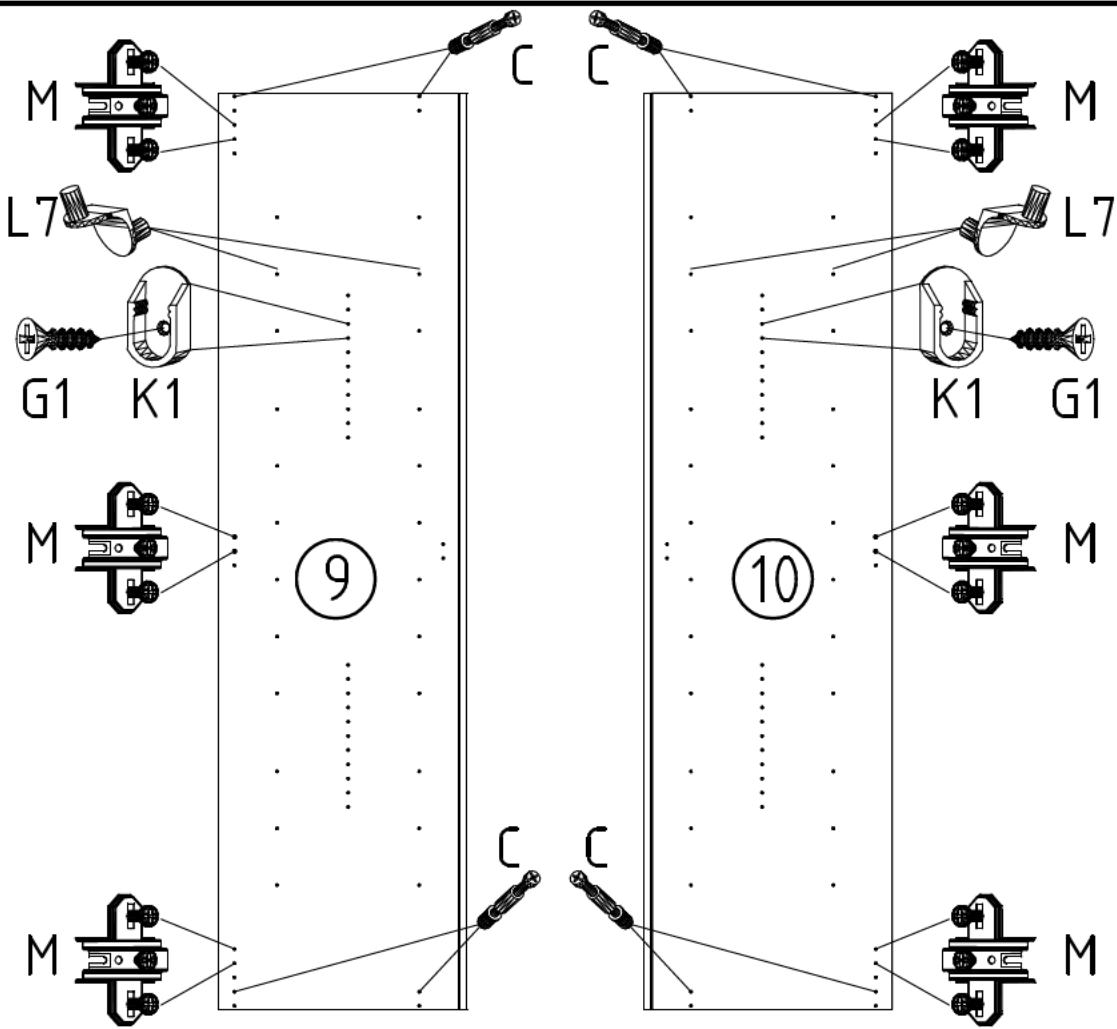


	L7
111 610 3,5 x 15 mm	G1
121 370	
	M
112 268	
	K1
117 001	
	A
111 102	



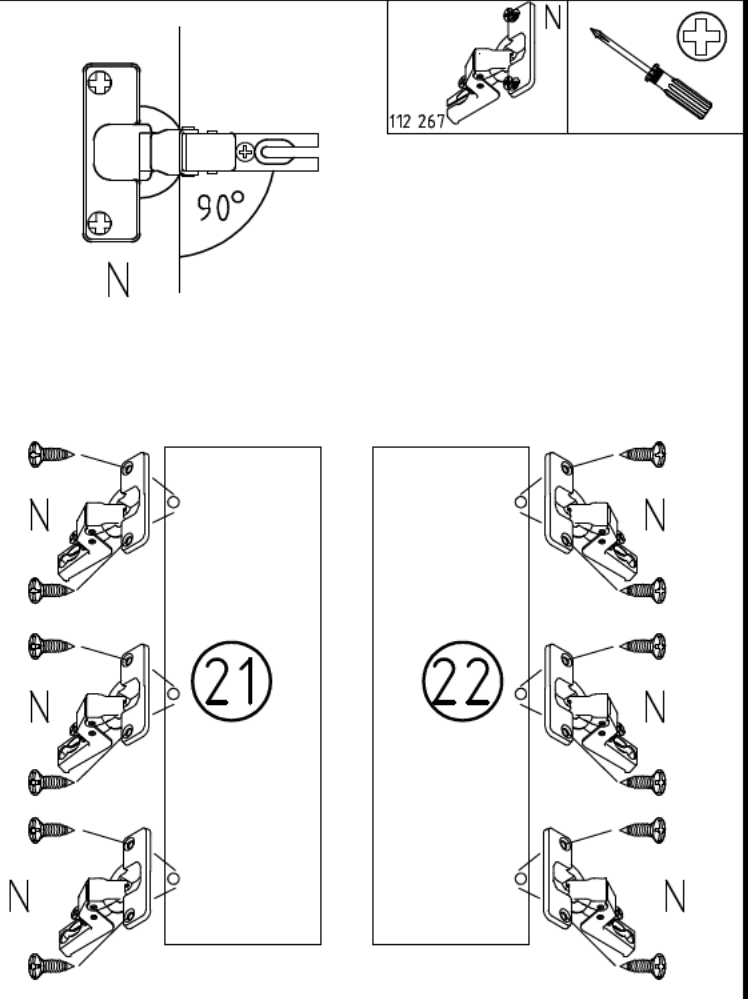
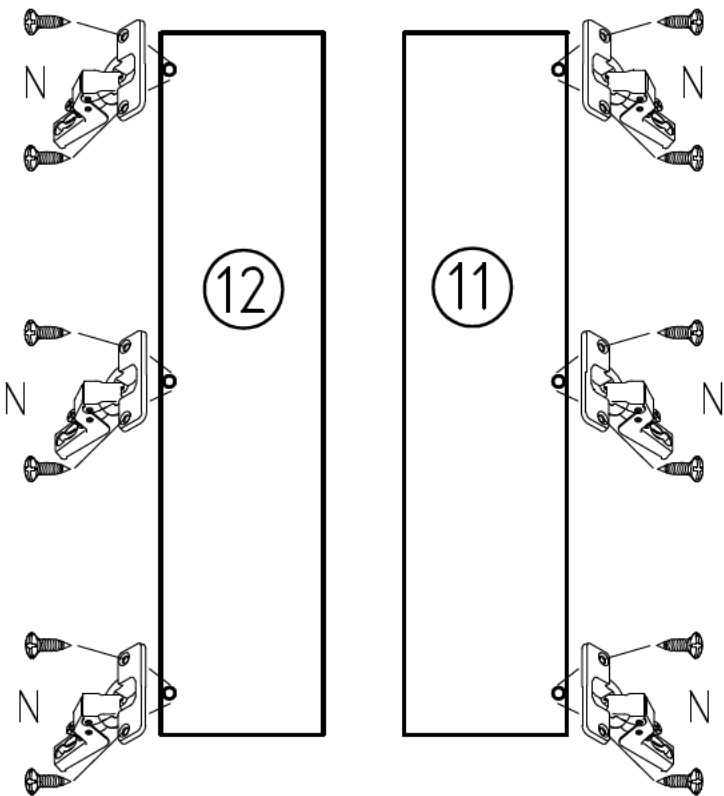
Warning diagrams showing correct installation of components M and A. The top diagram shows component M being pushed into a hole, with a warning triangle and an arrow indicating the direction of force. The bottom diagram shows component A being pushed into a hole, with a warning triangle and an arrow indicating the direction of force.

6



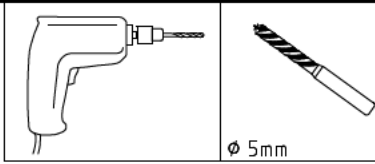
	L7
111 610 3,5 x 15 mm	G1
121 370	M
112 268	K1
117 001	C
111 103	

7



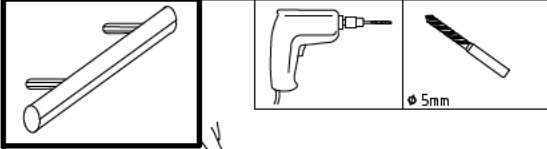
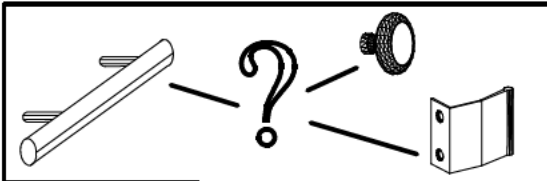
	N
112 267	

9

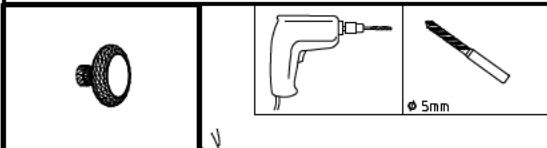
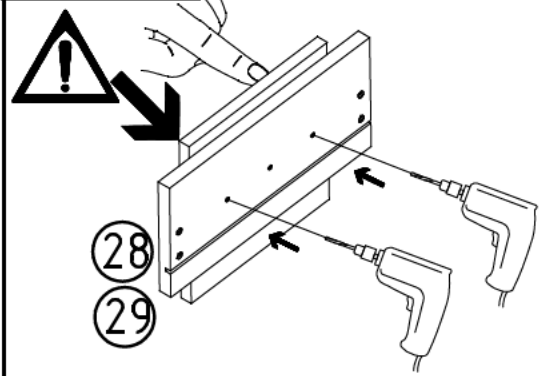


Ø 5mm

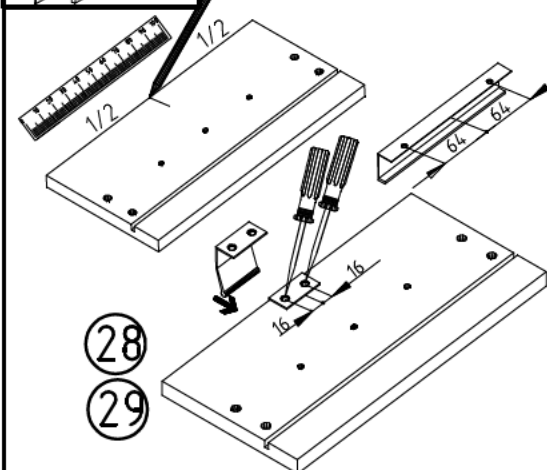
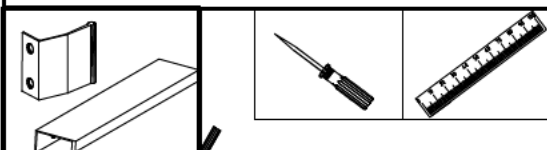
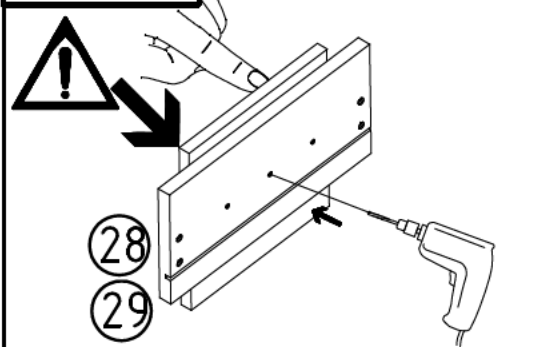
10



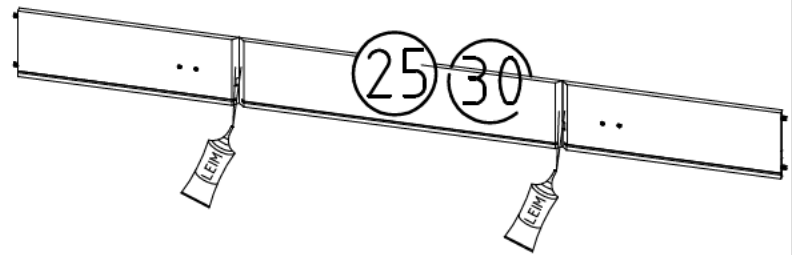
Ø 5mm



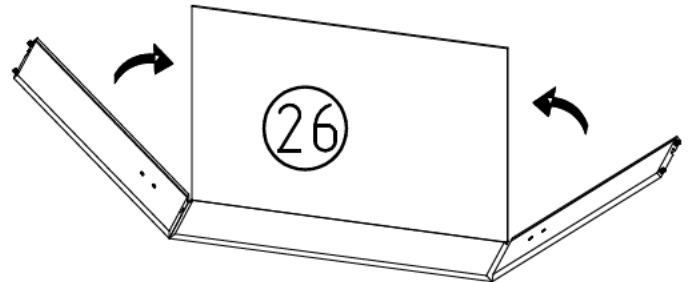
Ø 5mm



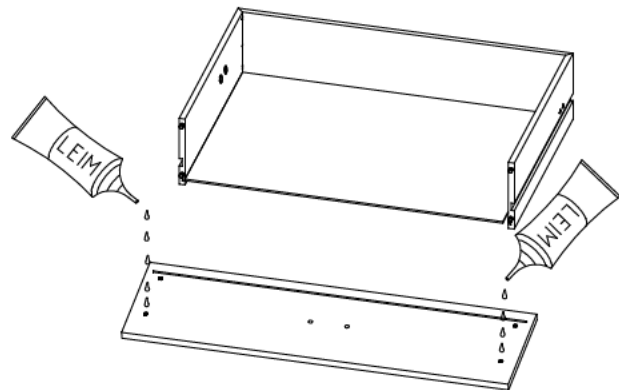
A



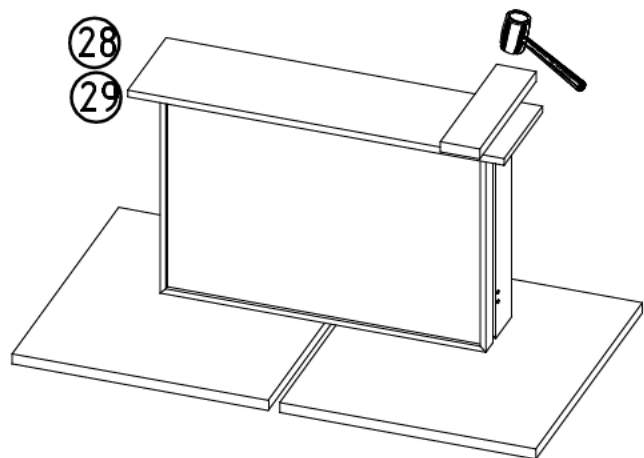
B

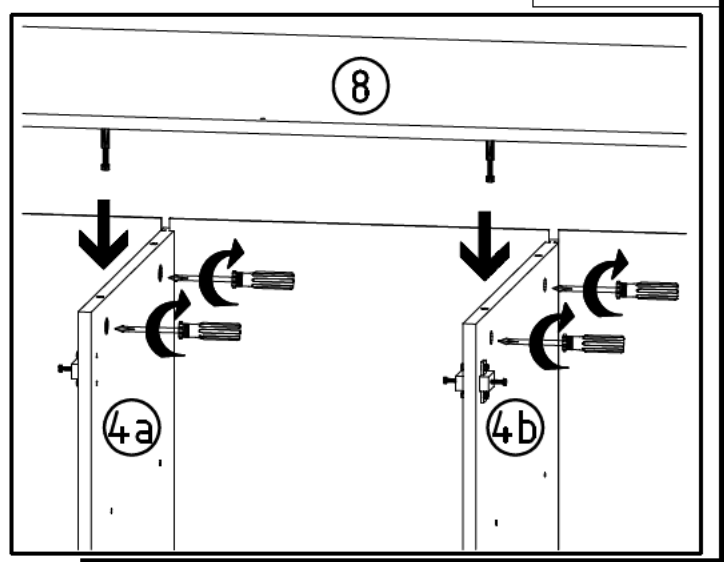
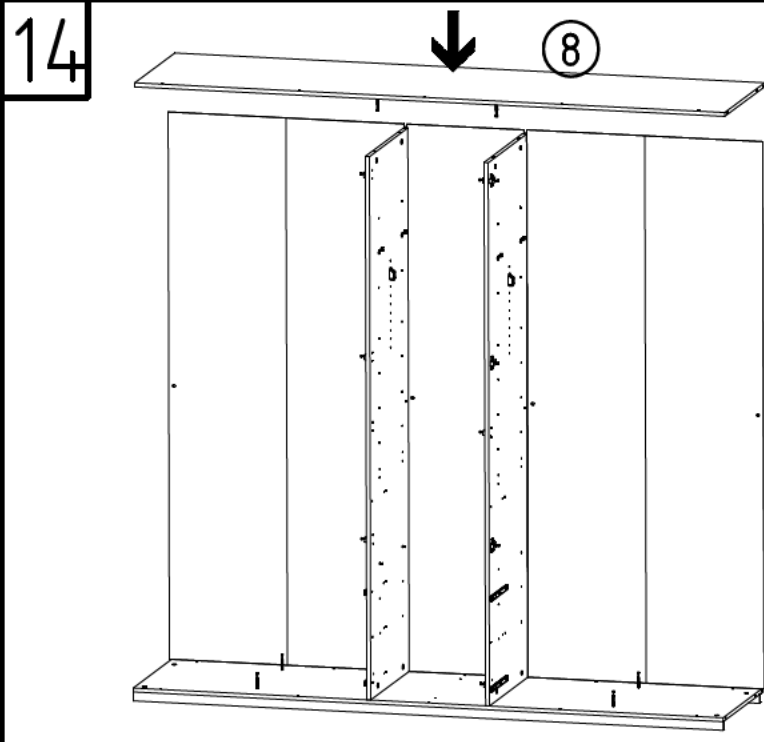
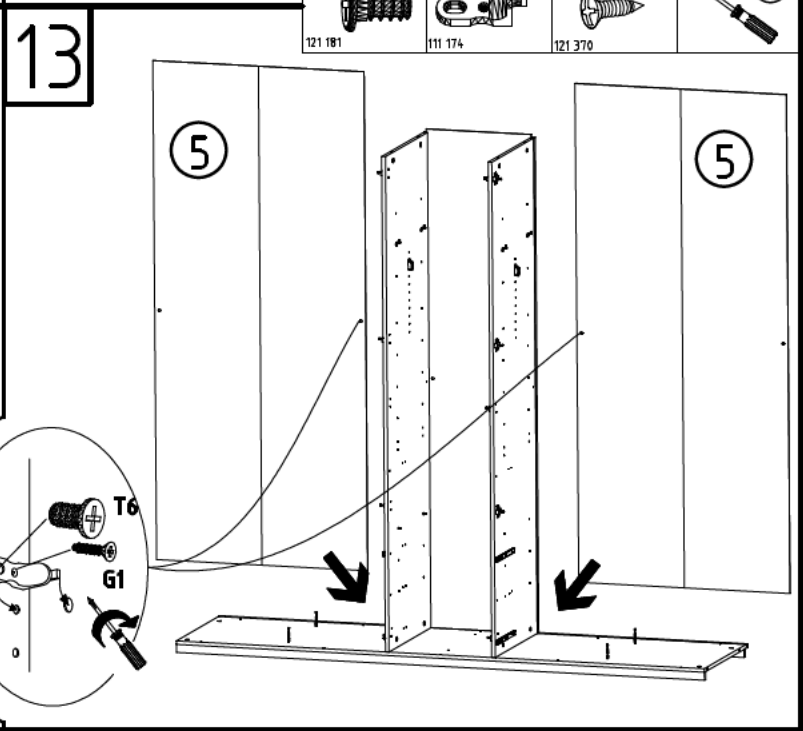
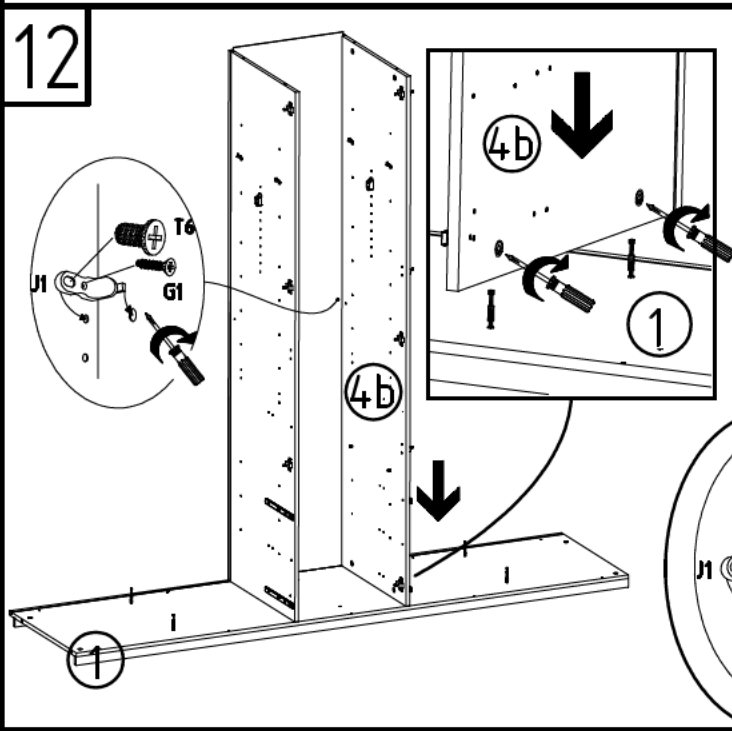
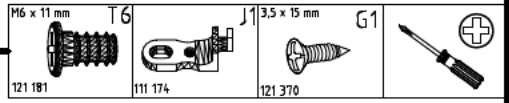
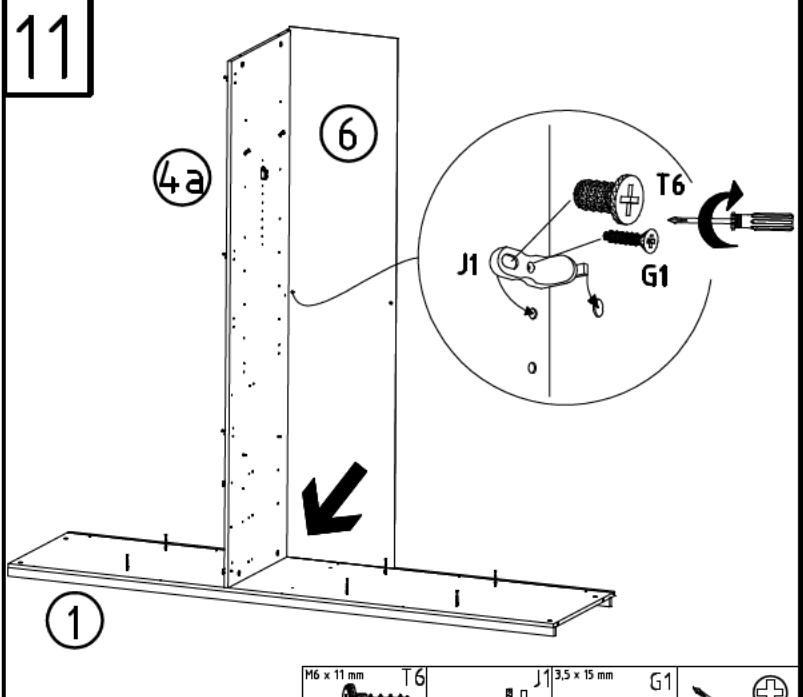
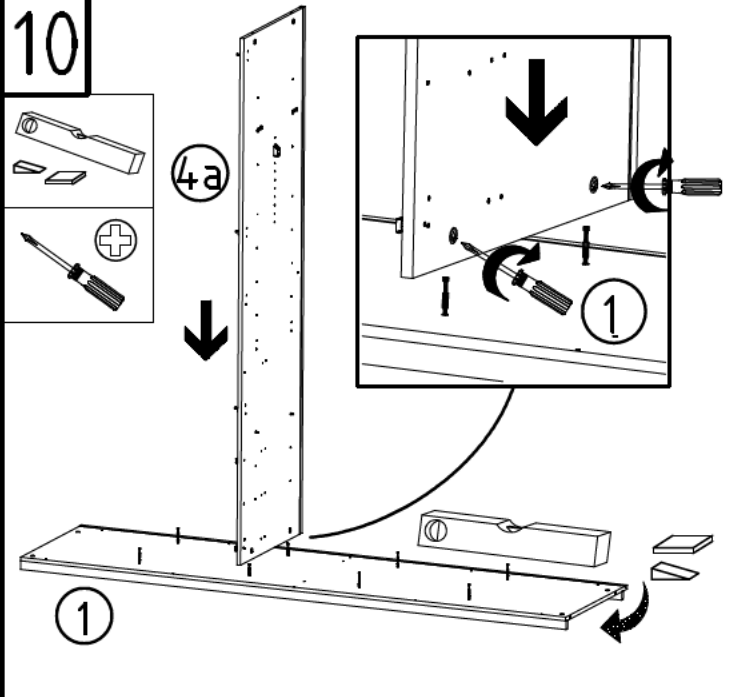


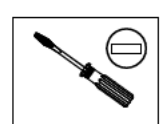
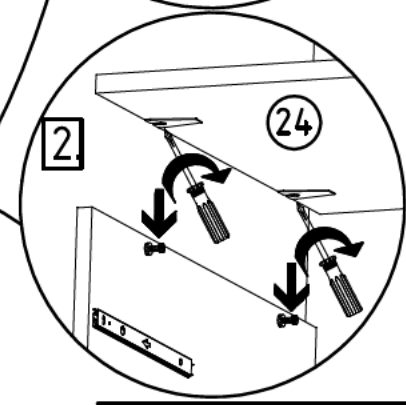
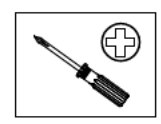
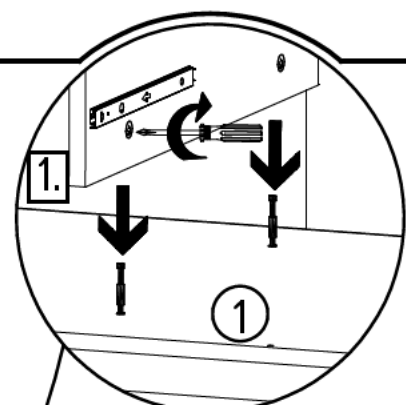
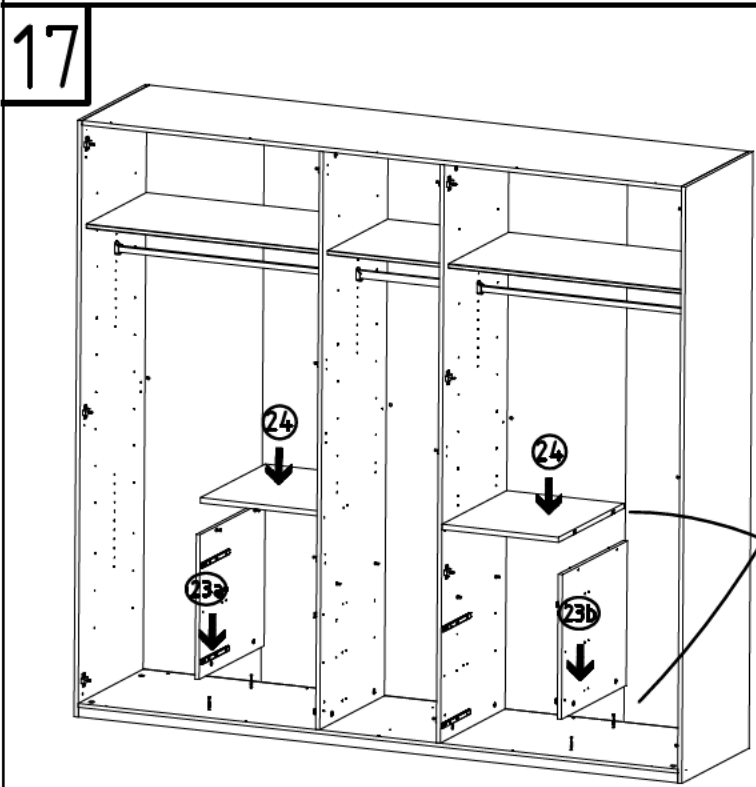
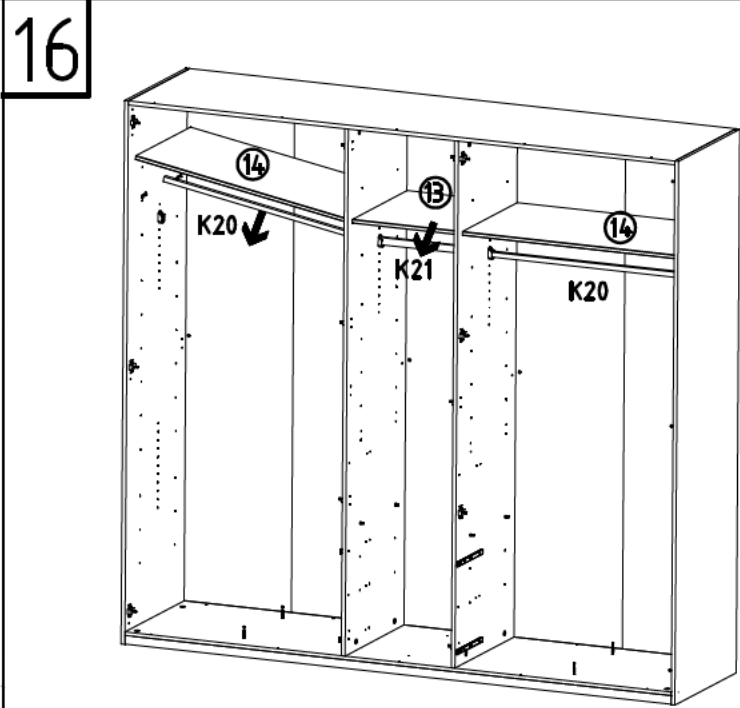
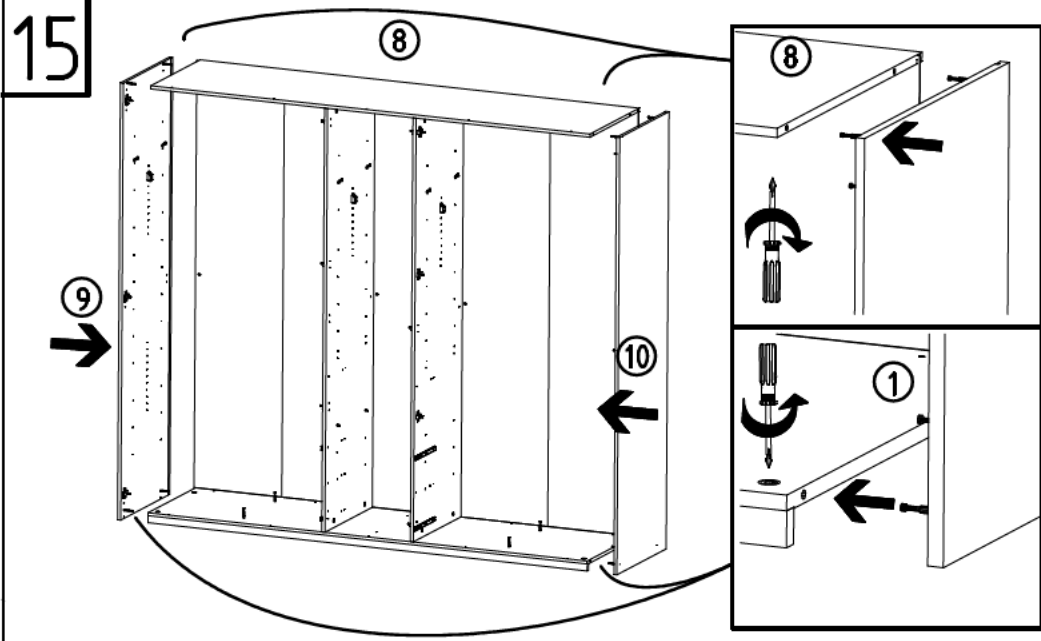
C



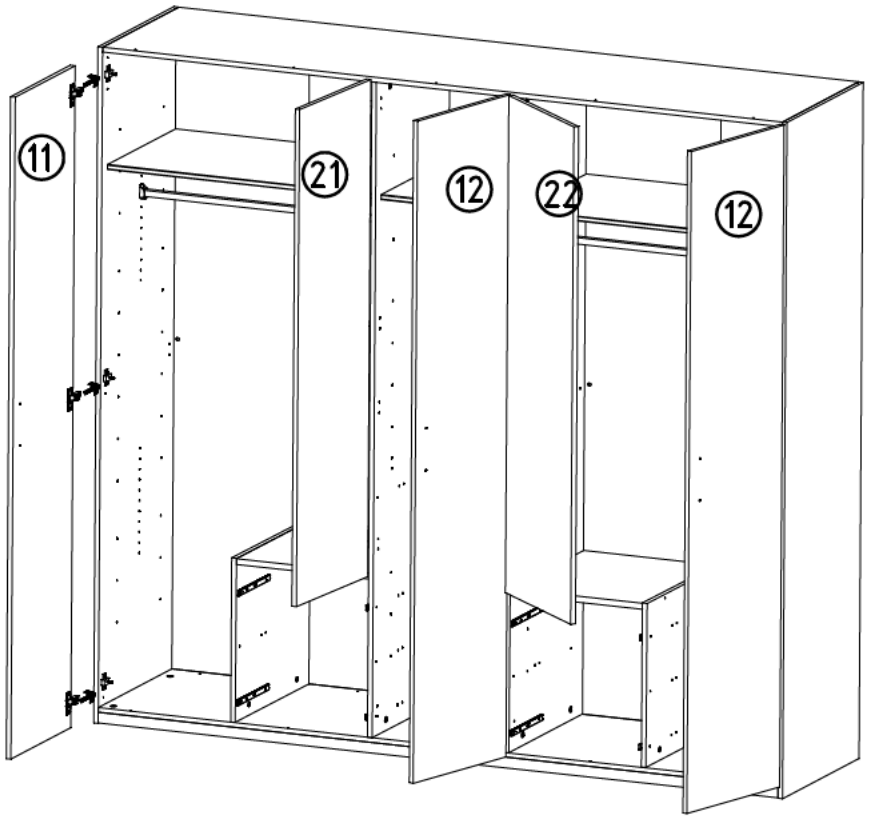
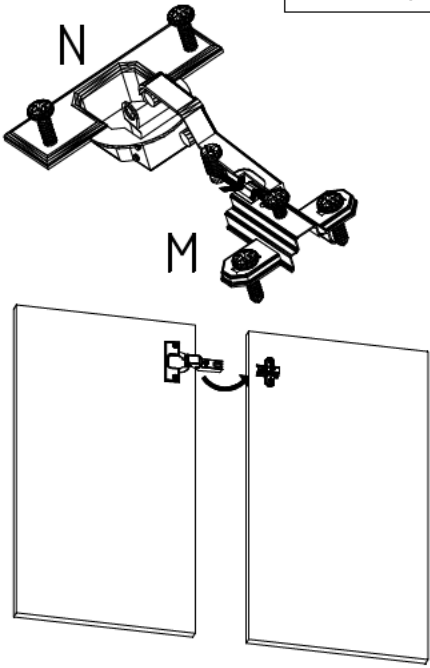
D



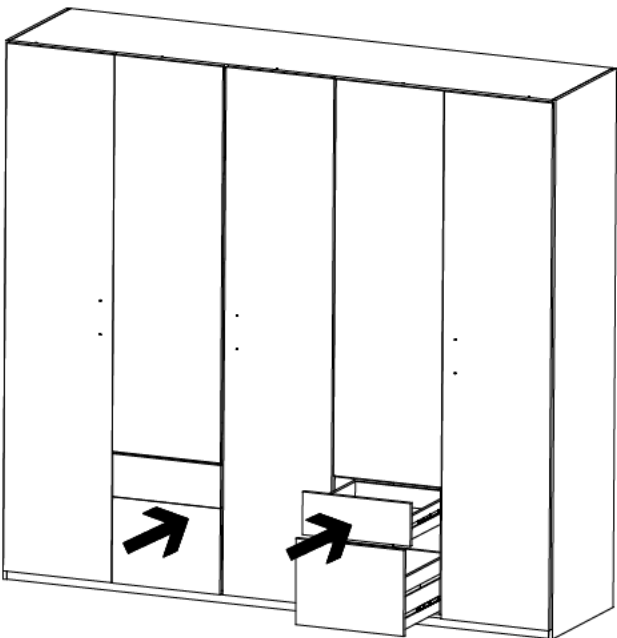
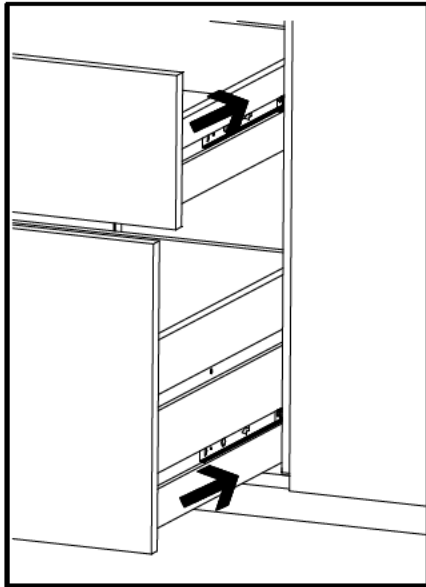




18



19

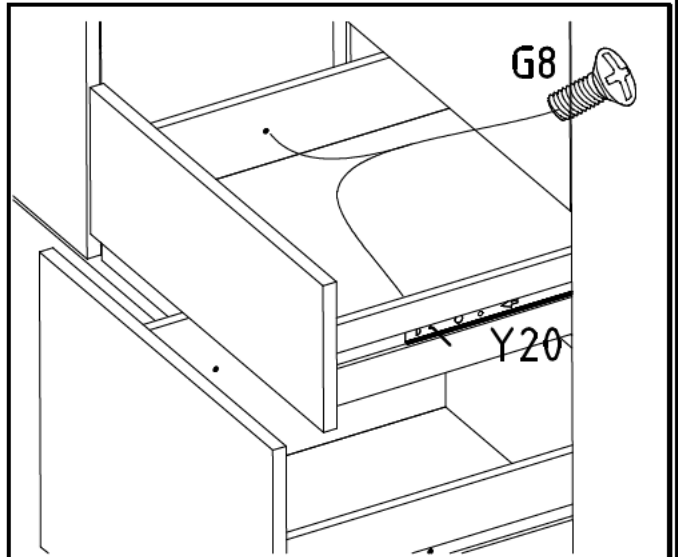


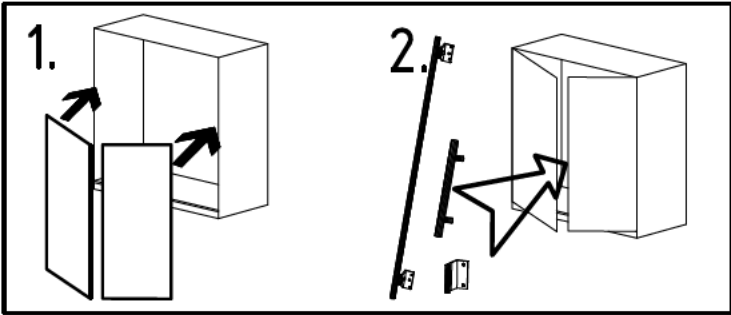
20

M4 x 9 mm G8

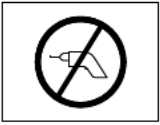
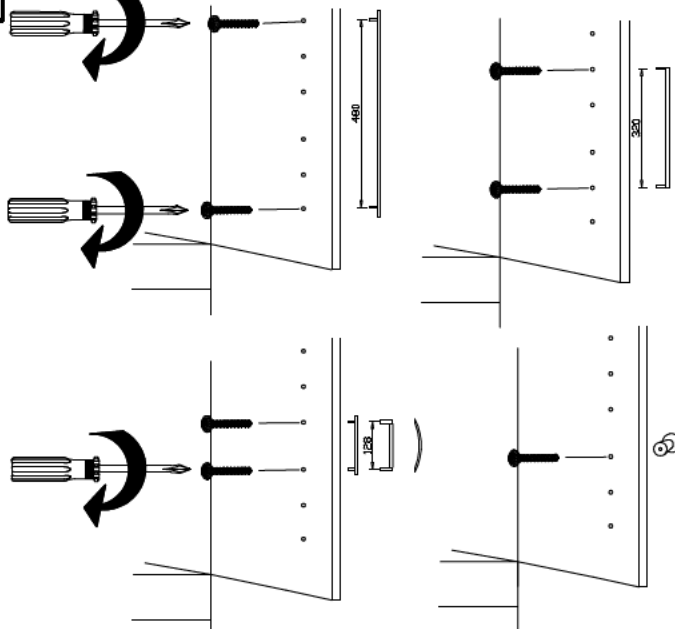
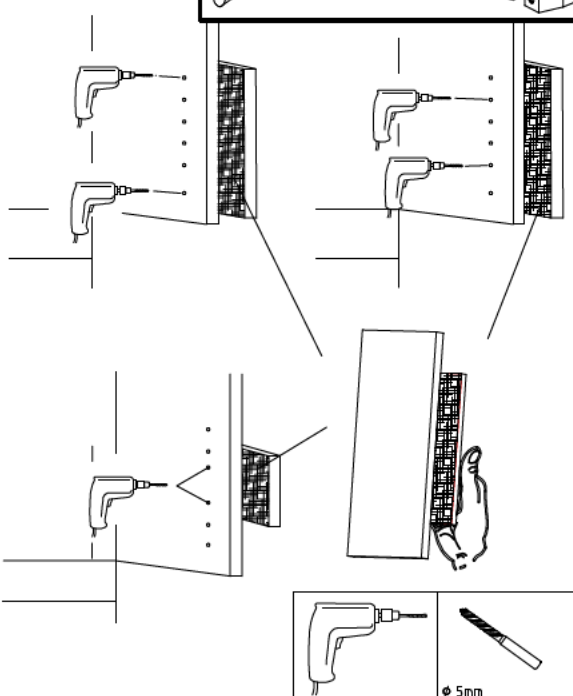
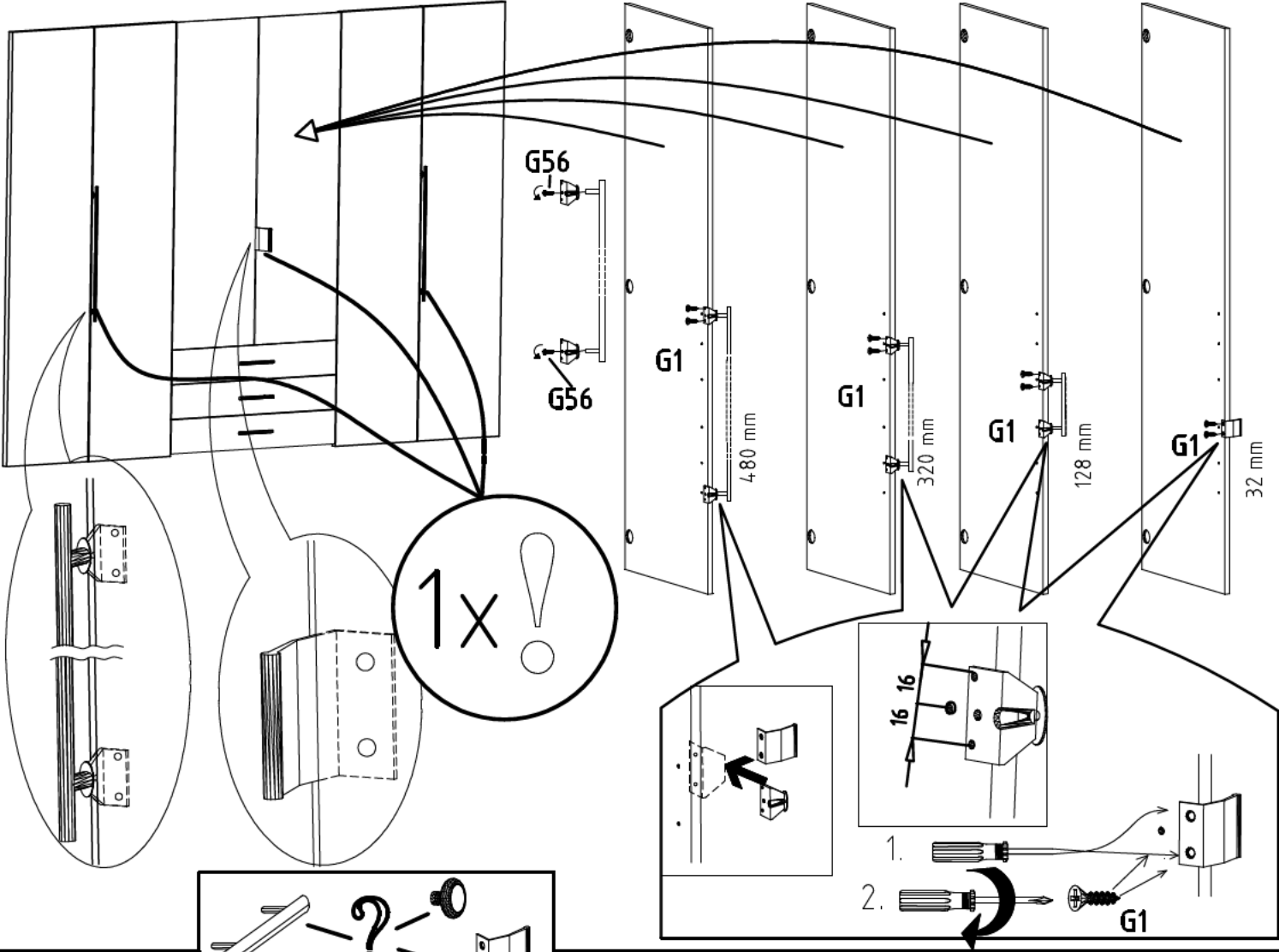


111 015

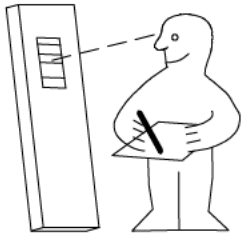
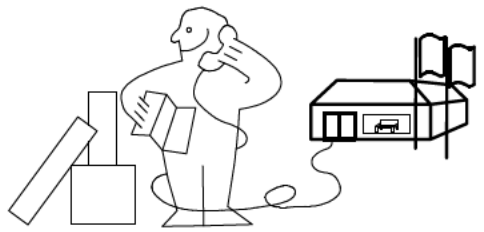
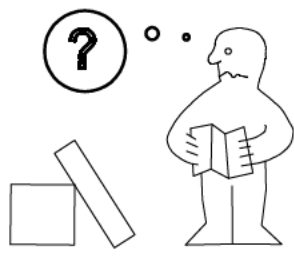




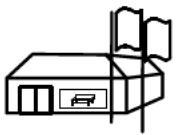
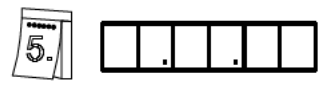
3,5 x 15 mm 121 370	G1	4,0 x 12 mm 122 625	G56
------------------------	----	------------------------	-----

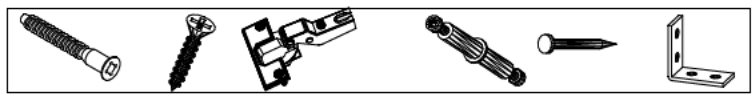


	SP27
4 X 27mm	
122620	
4,0x22	G49
122 609	



Modell/Model/Modèle





<121 370>	< G 1 >	<4x>

25.03.15 / 14.12.15 12 15 12/12

