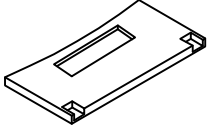
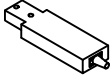



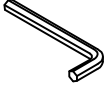
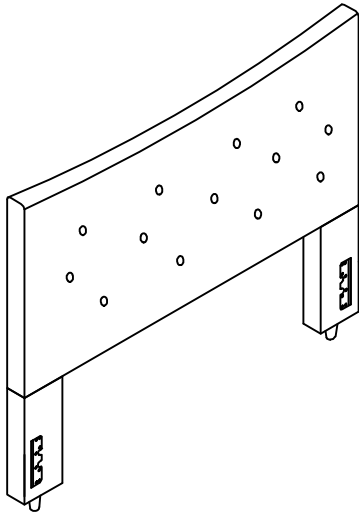


# ASSEMBLY INSTRUCTION

## HEADBOARD

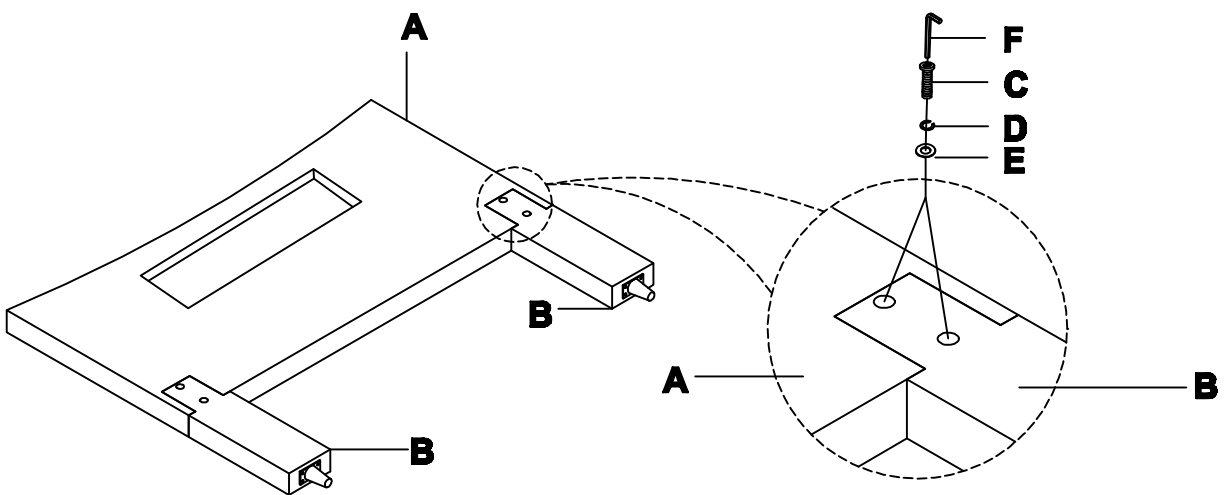
<b>A</b> HEADBOARD  1PC	<b>B</b> COLMN  2PCS	<b>C</b> BOLT 5/16**3"  4PCS	<b>D</b> LOCK WASHER 5/16"  4PCS
<b>E</b> FLAT WASHER 5/16**22MM  8PCS	<b>F</b> ALLEN WRENCH 5MM  1PC		

**Please take the time to identify the hardware as well as the individual components to this product. As you unpack and prepare for assembly, place the contents on a carpeted or padded area to protect them from damage.**



**Hardware package with white sticker is for customers using a bolt-on metal bed frame.**

**1** ATTACHED HEADBOARD(A), COLMN(B), FLAT WASHER(E), LOCK WASHER (D),BOLT(C), BY ALLEN WRENCH(F).



**Cleaning & Care**  
Treat surface with care. Surface is resistant to scratches but is not scratch resistant. Clean surfaces with a dry or damp soft cloth. Do not use abrasive cleaners. Hardware may loosen over time. Periodically check that all connections are tight.

# ASSEMBLY INSTRUCTION

- 1.This Assembly instruction is for customers using a bolt-on metal bed frame on headboard only.
- 2.Please refer to hardware package with white sticker when using this Assembly Instruction.
- 3.Full/Queen/King Headboard need to use the other Assembly Instruction in the carton to assemble the headboard first,then use this one.
- 4.Twin Headboard is fully assembled,customers only refer to this Assembly Instruction to assemble with their own mattress frame.

## HEADBOARD ONLY -SCREW

**A** BOLT  
5/16\*\*2-3/8"



6PCS

**B** FLAT WASHER  
5/16\*\*22MM



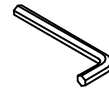
6PCS

**C** LOCK WASHER  
5/16"



6PCS

**D** ALLEN WRENCH  
5MM



1PC

**Assembly diagram below for attaching bolt-on metal bed frame to headboard only.**

- 1 ATTACH MATTRESS FRAME TO THE HEADBOARD USE BOLT(A),LOCK WASHER(C),FLAT WASHER(B) AS SHOWN.TURN THE ALLEN WRENCH(D) IN BOIT(A).**

