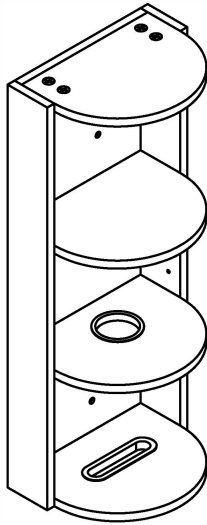
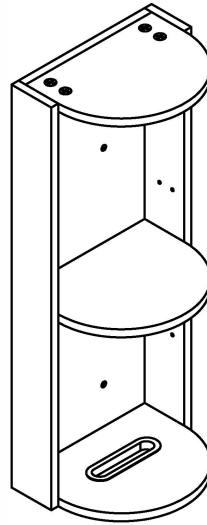


# Installation Manual

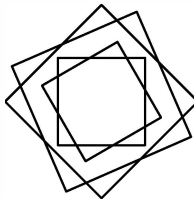
MOTIVATE  
YOUR LIFE !



Three layer side cabinet





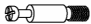
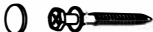

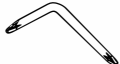
Two layer side cabinet



## Thank you for shopping with us!

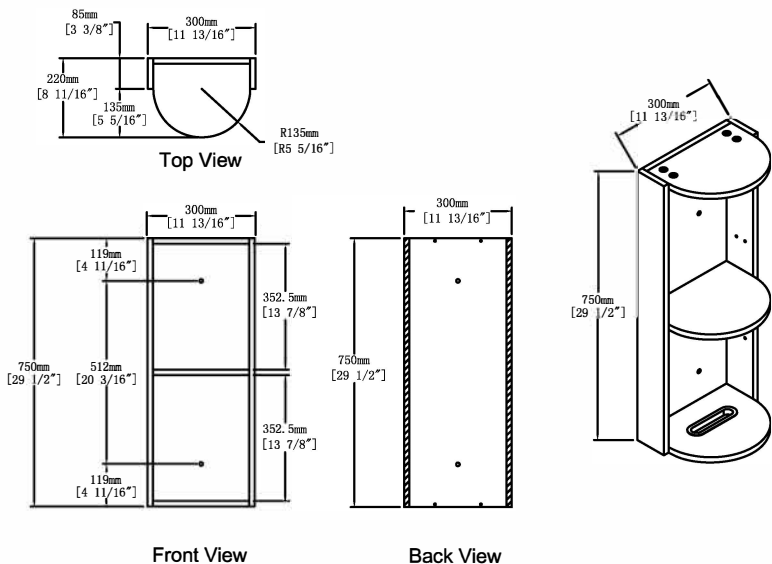
We encourage you to take a few minutes to go through this booklet. It contains important information on installation and care tips to keep your furniture looking as good as new.

## Hardware

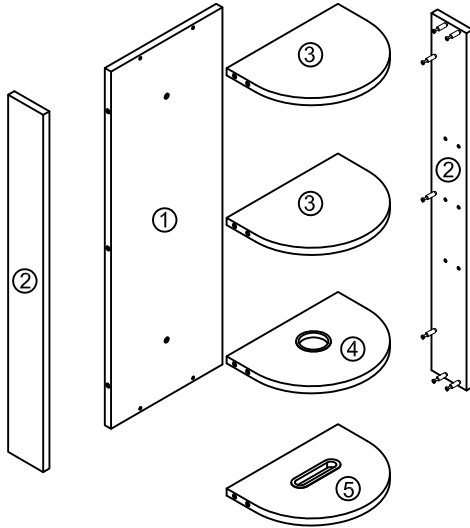
NO.	Draw	QTY	NO.	Draw	QTY
A	 Screws $\text{\O}4 \times 25\text{mm}$	4	D	 Plastic anchor( $\text{\O}10\text{mm}$ )	2
B	 Two-in-one connector	22	E	 Screws for fix on the wall	2
C	 Two-in-one connector	22	F	 Screwdriver	1

## Dimensions

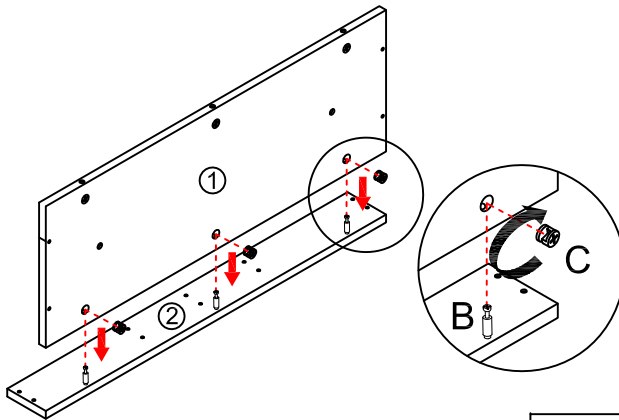
## Two layer side cabinet

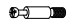




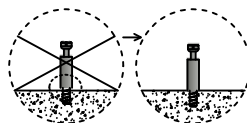
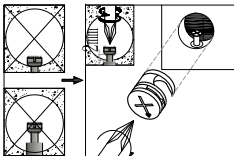
# Components



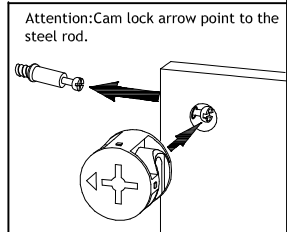
# Step 1



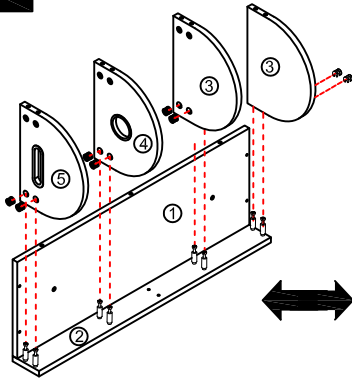
-  x3
- B**
-  x3
- C**
- 
- F**



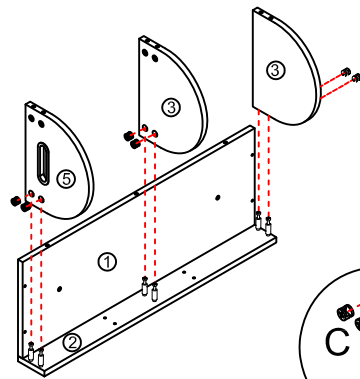
Notes: Screw installation depth as shown



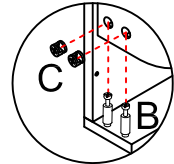
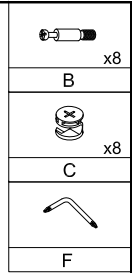
## Step 2



Three layer side cabinet

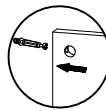


Two layer side cabinet

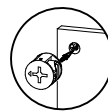


The top layer is a fixed board, and other layers can be installed with one or two boards according to their own needs. The installation position of the boards can be installed as needed, as shown in the diagram.

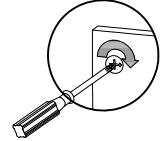
first step



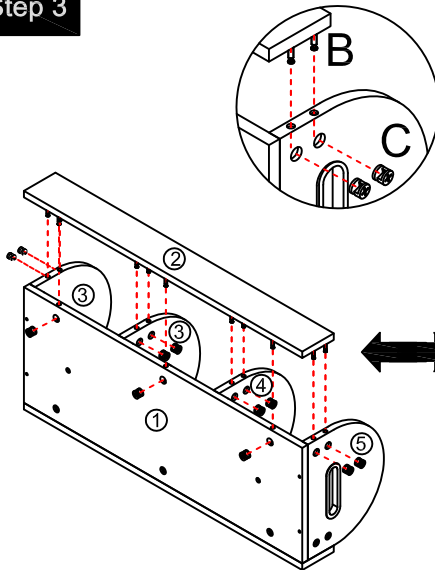
second step



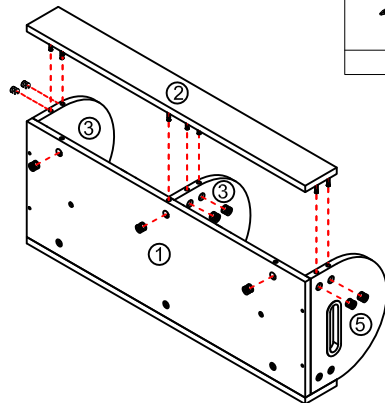
third step



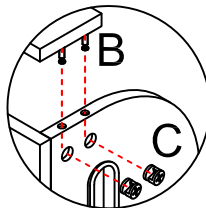
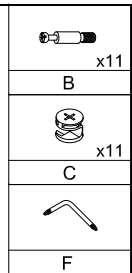
## Step 3



Three layer side cabinet

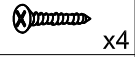


Two layer side cabinet

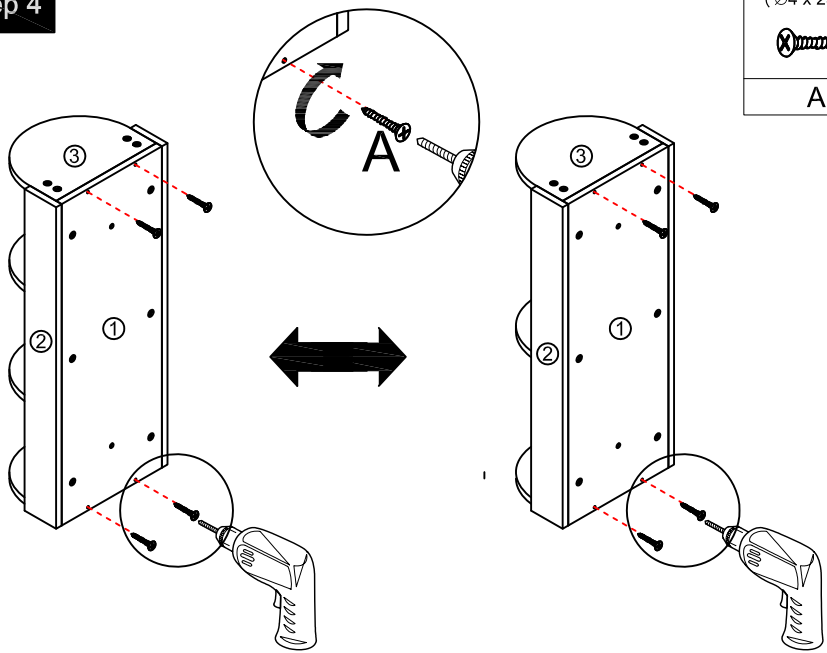


### Step 4

( $\varnothing 4 \times 25\text{mm}$ )



A



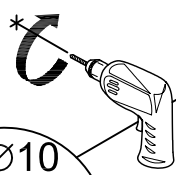
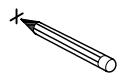
### Step 5



Tool



Tool



### Step 6



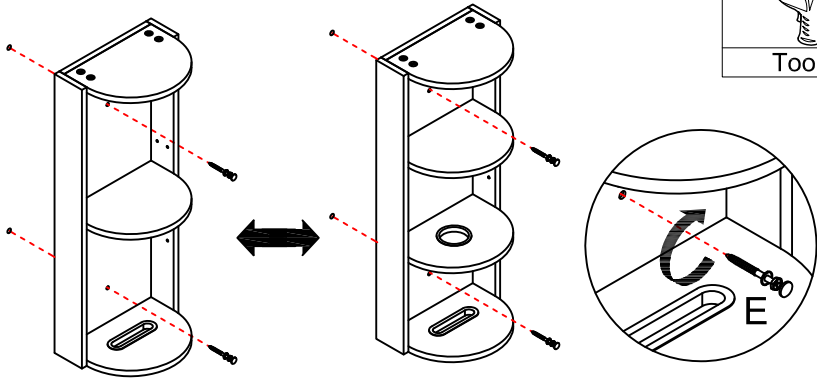
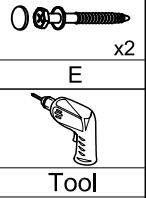
D



Tool



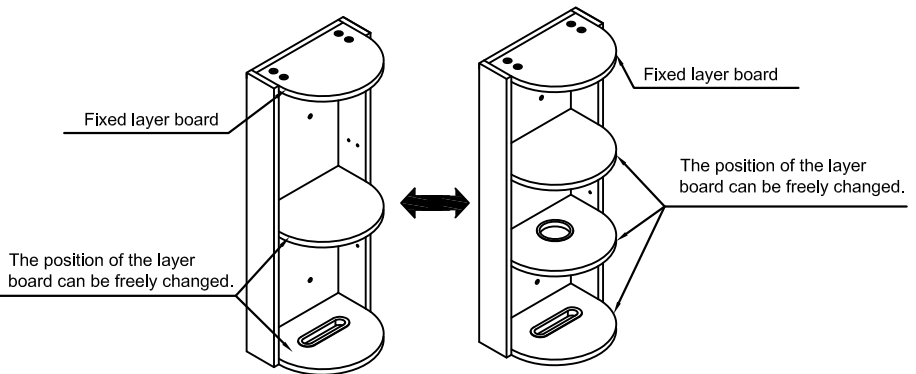
## Step 7



Two layer side cabinet

Three layer side cabinet

## Finished

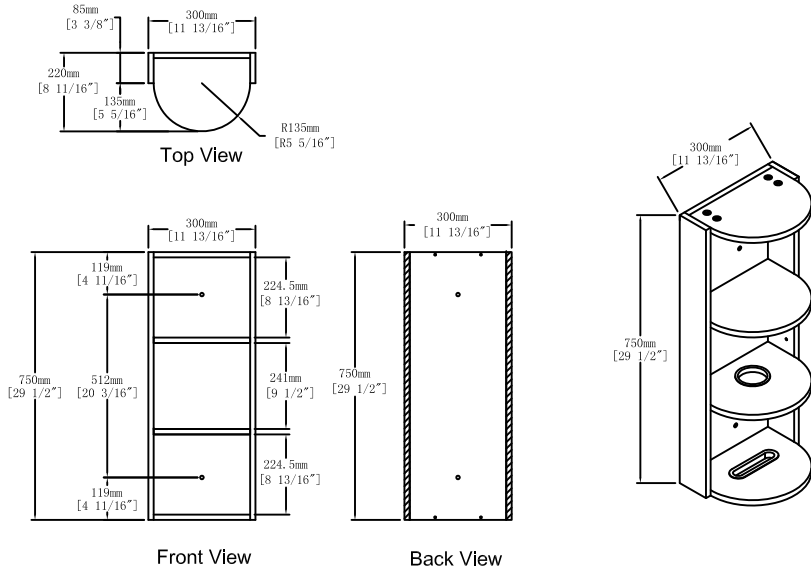


Two layer side cabinet

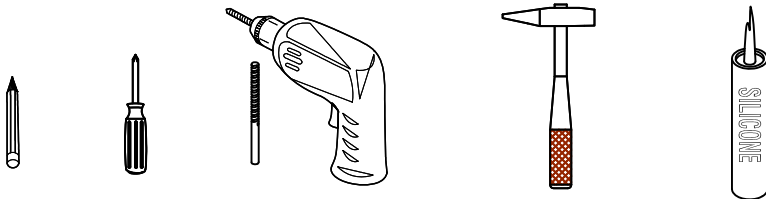
Three layer side cabinet

## Dimensions

## Three layer side cabinet



## Recommended tools



## CARE CLEANING AND MAINTENANCE

1. Dust regularly with a soft , dry cloth.
2. Avoid the use of all chemicals household cleaners, abrasives, or cleaners that contain lemon, vinegar, or other acids that may damage the finish.
3. Excessive exposure to sunlight and extreme changes in temperature and moisture can damage wood furniture.
4. Do not place hot appliances, such as curling irons and hot hair dryers directly on the countertop. Wipe spills immediately.