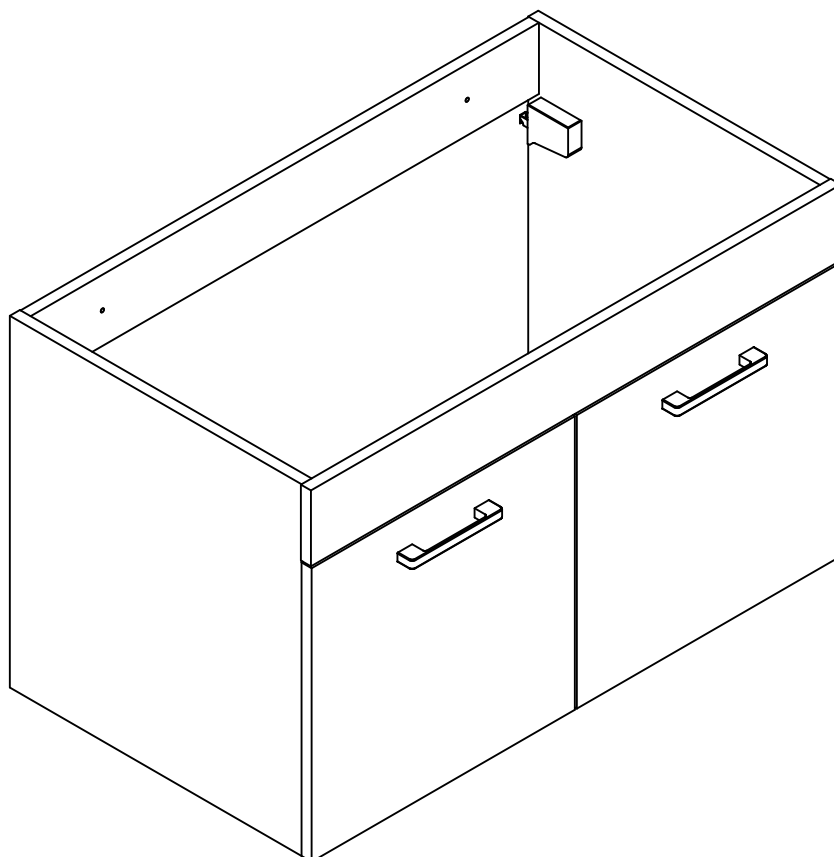

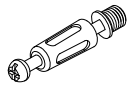
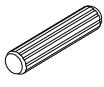

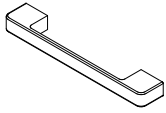
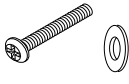
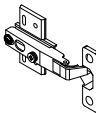
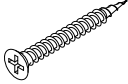
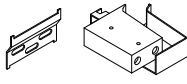
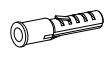




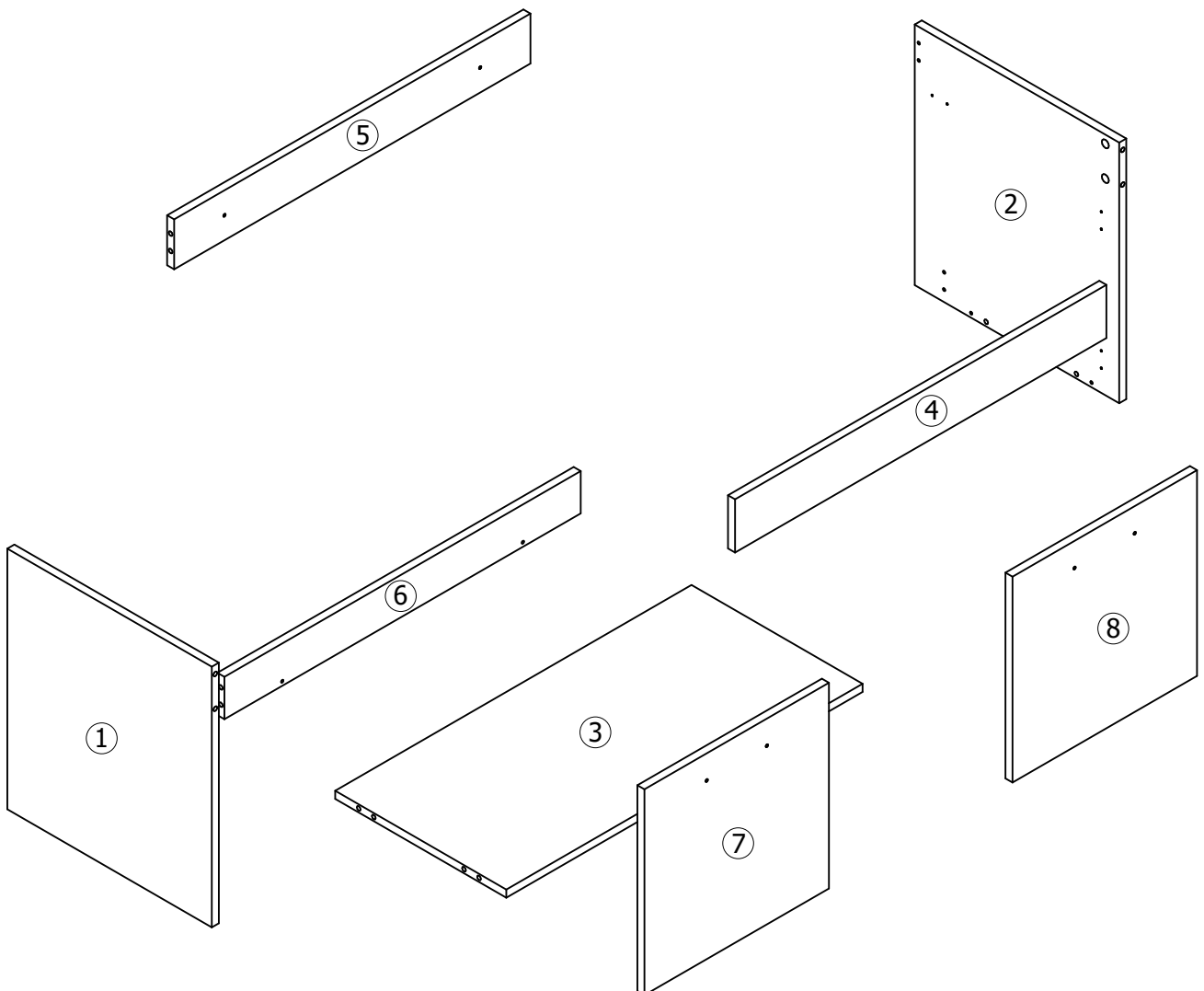
HN102-80H 2door

Assembly Instructions



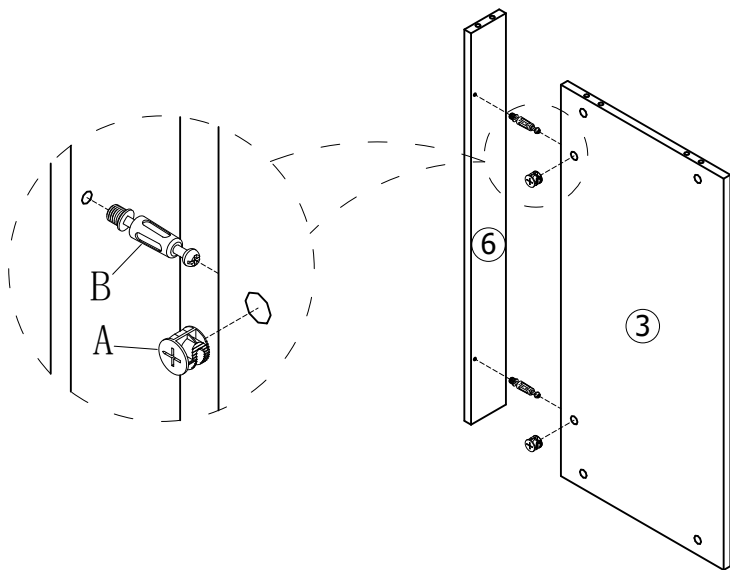
Assembly Instructions

<p>Ø15x11</p>  <p>A x 18</p>	<p>Ø7x35</p>  <p>B x 18</p>	<p>Ø8x30</p>  <p>C x 4</p>	<p>Ø3.5x14</p>  <p>D x 24</p>
 <p>E x 2</p>	<p>M4x20</p>  <p>F x 4</p>	<p>Full overlay hinge</p>  <p>G x 4</p>	<p>Ø3.5x30</p>  <p>H x 4</p>
 <p>I x 2</p>	<p>Ø7.8x38</p>  <p>J x 8</p>	<p>Ø5x50</p>  <p>K x 6</p>	<p>Ø5x70</p>  <p>L x 2</p>



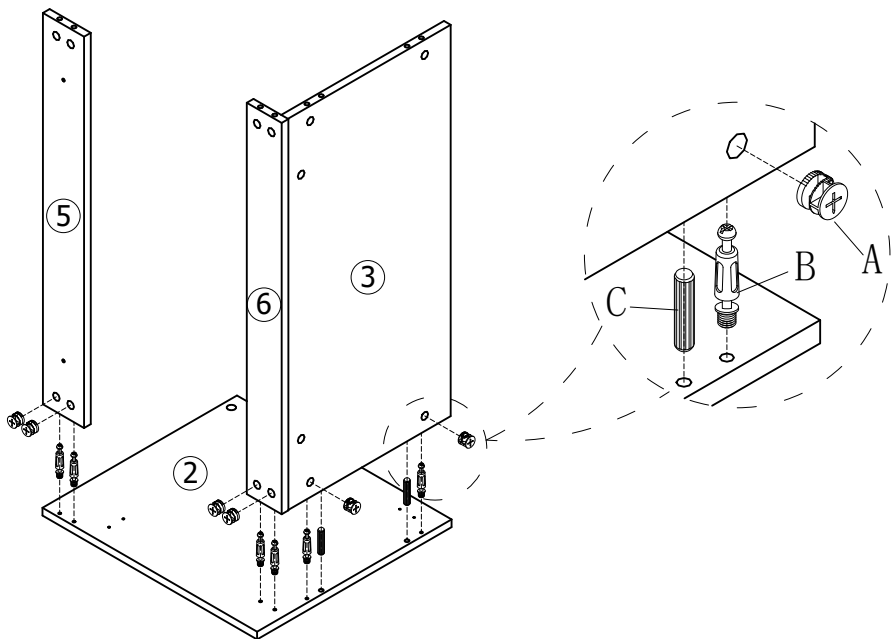
STEP 1

Ax2
Bx2



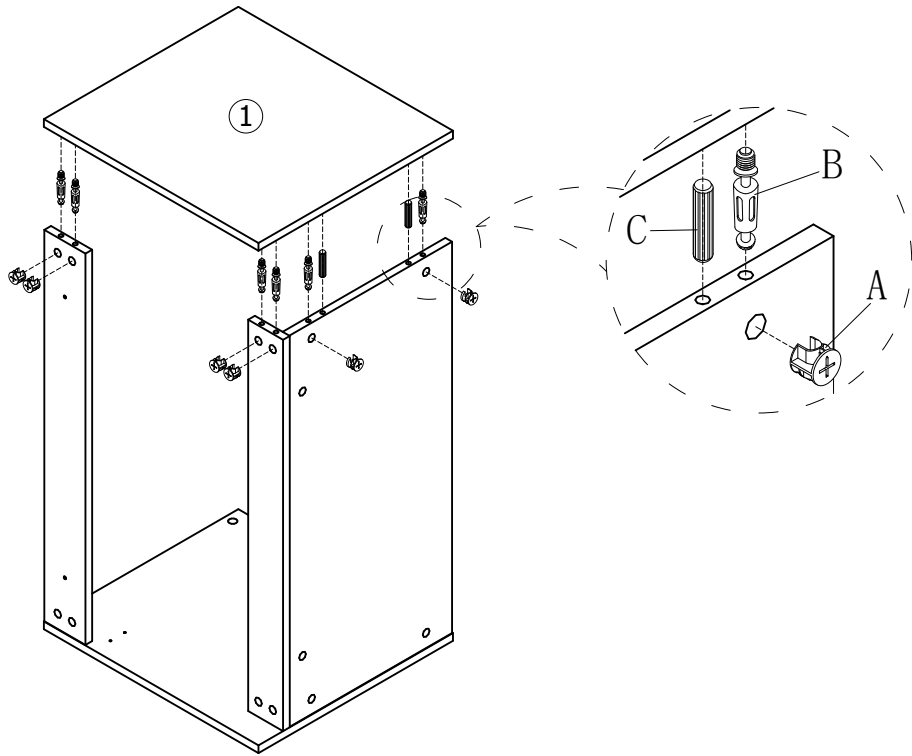
STEP 2

Ax6
Bx6
Cx2



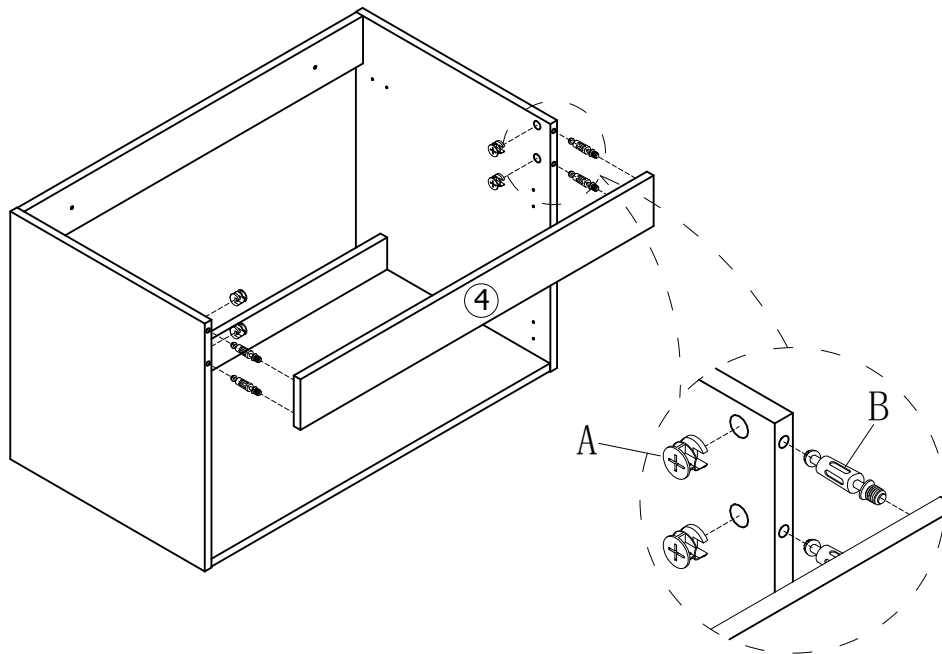
STEP 3

Ax6
Bx6
Cx2



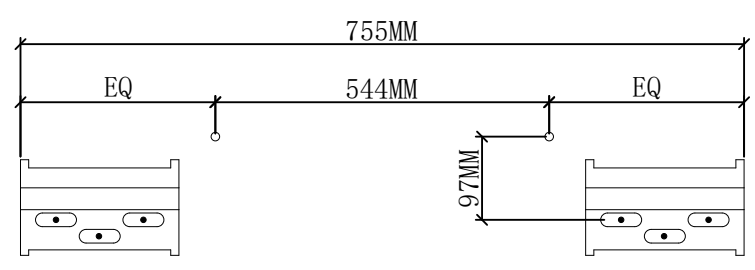
STEP 4

Ax4
Bx4

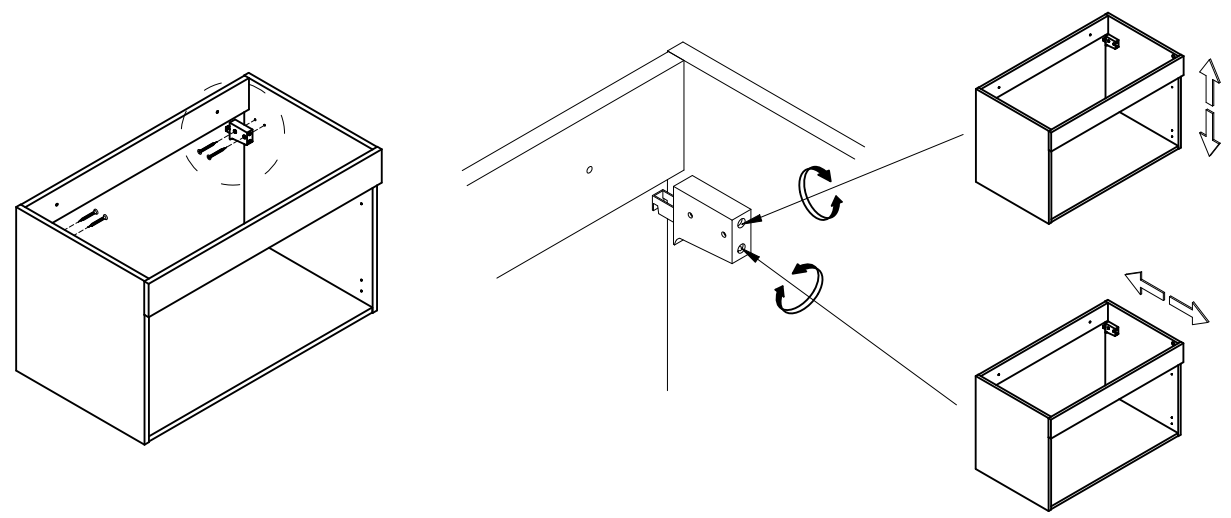


STEP 5

- Hx4
- Ix2
- Jx8
- Kx6
- Lx2

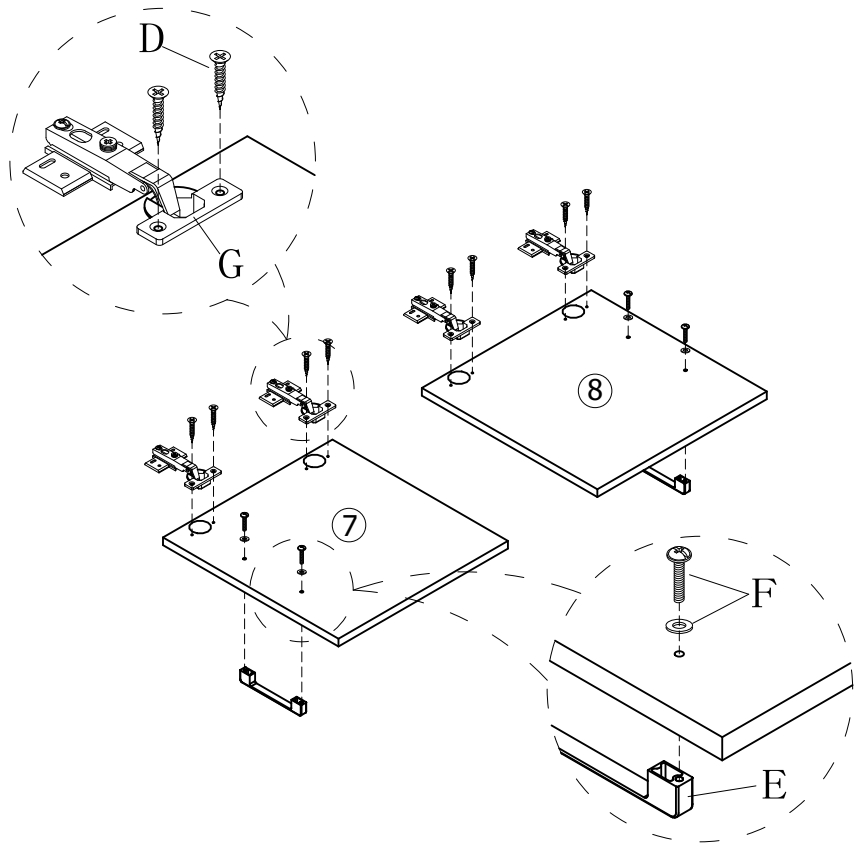


- 1.
- 2.
- 3.
- 4.
- 5.
- 6.



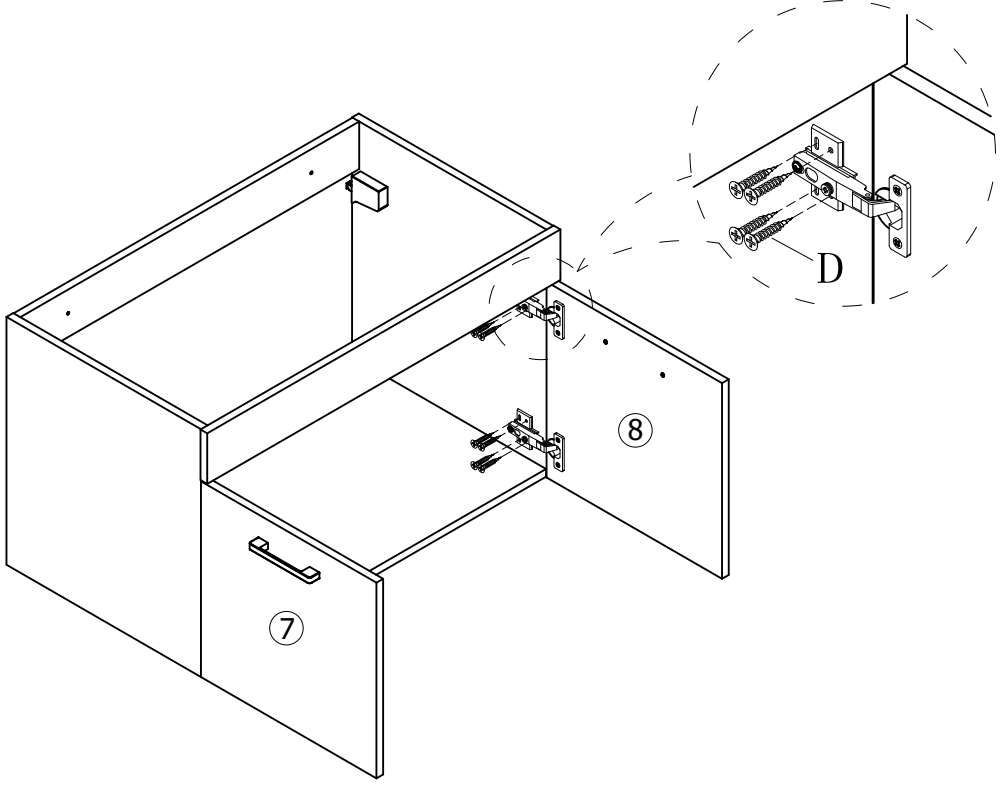
STEP 6

Dx8
Ex2
Fx4
Gx4

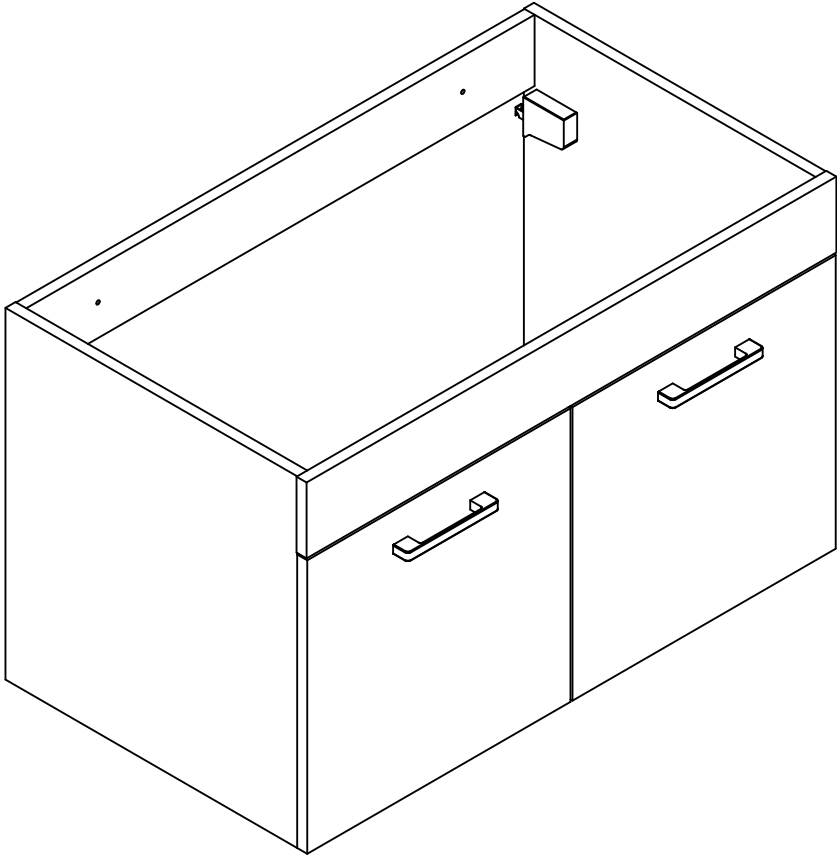


STEP 7

Dx16



STEP 8



FINISH