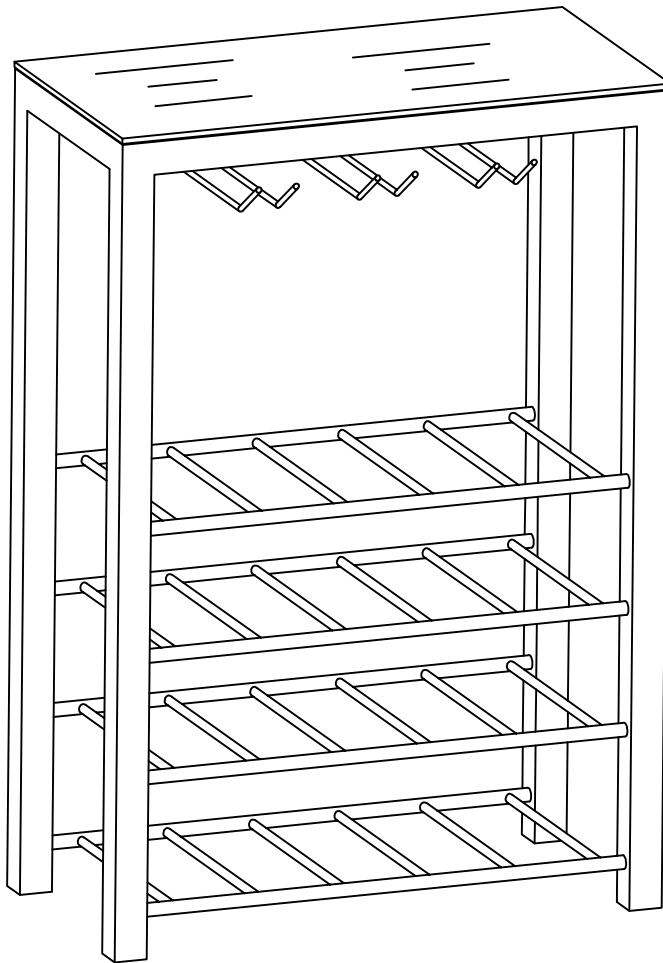


# ASSEMBLY INSTRUCTIONS

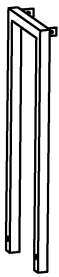

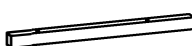


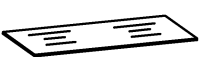
## Wine Rack



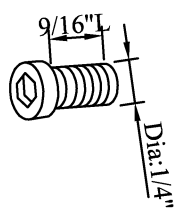

### NOTE TO CUSTOMERS:

- For ease and speed of assembly we recommend that before you commence each step of the assembly that you identify all the parts required to complete that step.
- We recommend that where possible you allow sufficient space to assemble the item as close as possible to the place where it will be once assembled.
- For the protection of your furniture we recommend that the product is placed on protected surfaces during assembly to prevent any damage.
- During assembly do not over tighten, as this may damage the product.
- Please ensure you retain all the product packaging until the item completely assembled.
- Please periodically check all fittings and re-tighten as necessary.
- Never allow any liquid to remain on your furniture as absorption can cause the wood to warp or the finish to de-laminate.
- It is recommended that this item should be assembled by two adults.

## Part List

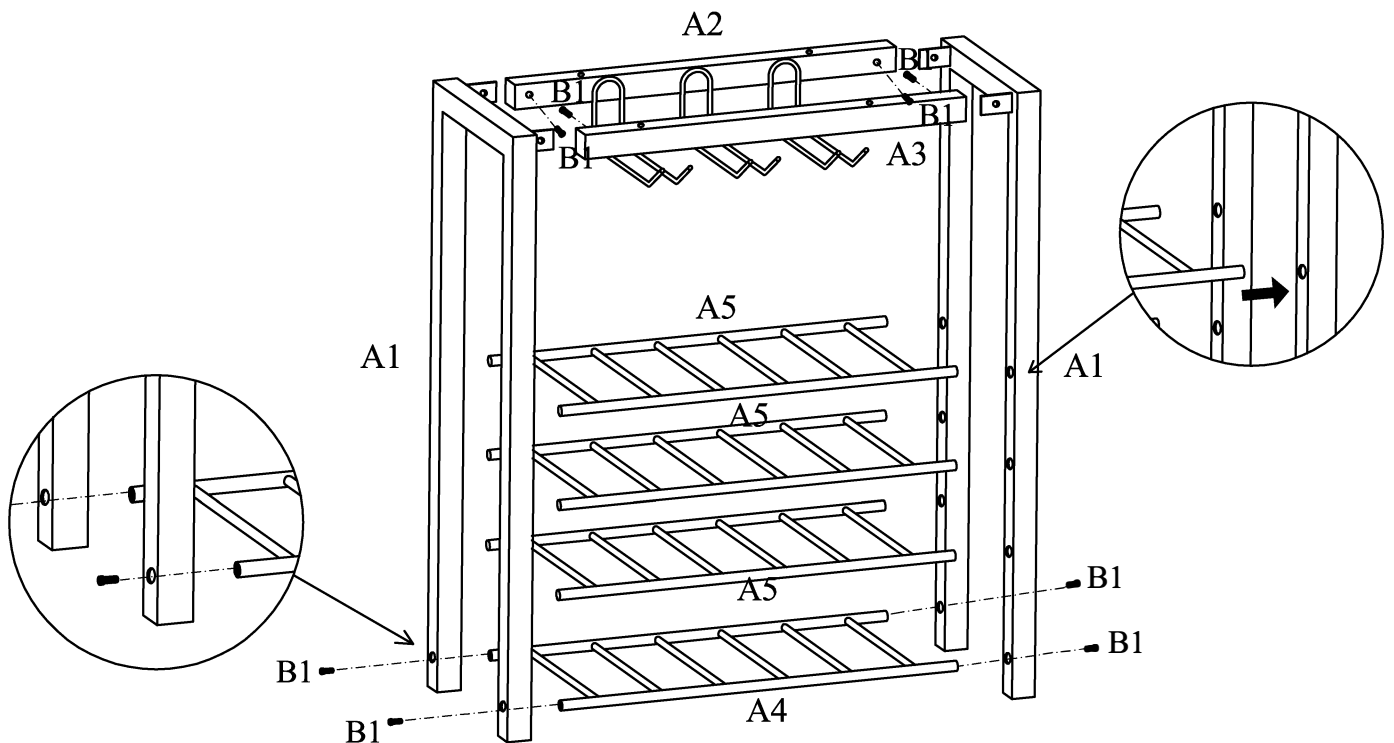
A1	Quantity of 2	A2	Quantity of 1	A3	Quantity of 1	A4	Quantity of 1	A5	Quantity of 3	A6	Quantity of 1
											
Side Frame		Back Apron		Front Apron		Bottom Shelf		Shelf		Glass	

## Hardware List

B1	Quantity of 8	B2	Quantity of 4
			
Bolt		Suction Cup	Allen Wrench

### STEP 1

B1  8pcs

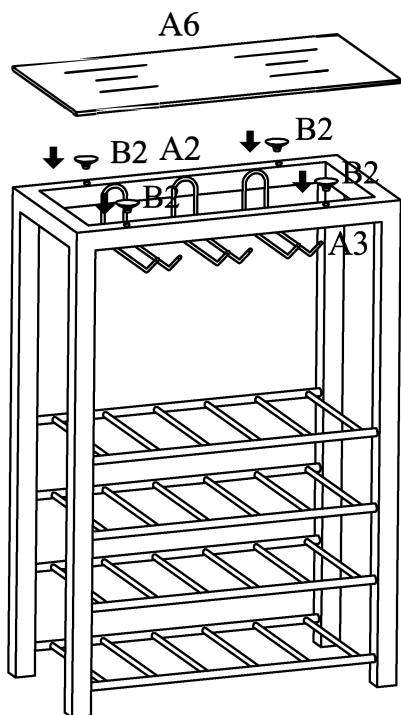


Assemble and insert Aprons A2&A3, Bottom Shelf A4 and Shelves A5 to Side Frames A1 using Bolts B1 as shown above.

Note: Place unit on the floor and check if it is stable before tightening all bolts

STEP 2

B2  4pcs



Insert Suction Cups B2 into Aprons A2&A3, then place Glass A6 onto Suction Cups B2 as shown above.