



ASSEMBLY INSTRUCTIONS

Description: ALLISTER ACCENT CHEST




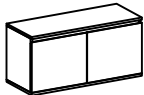
Important safety instructions:

- Please read carefully all instructions before assembly.
- For your safety and ease, assembly by two or more adults is recommended.
- Keep instructions for future use.








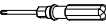
Pre-assembly:

- Do not discard any content until assembly is complete to avoid accidentally discarding small parts or hardware.
- Take out all parts and hardware from box.

Parts List

Item	Description	QTY
P1	Support Bar 	2
P2	Shelf 	1
P3	Legs 	2
P4	Chest 	1





Hardware List

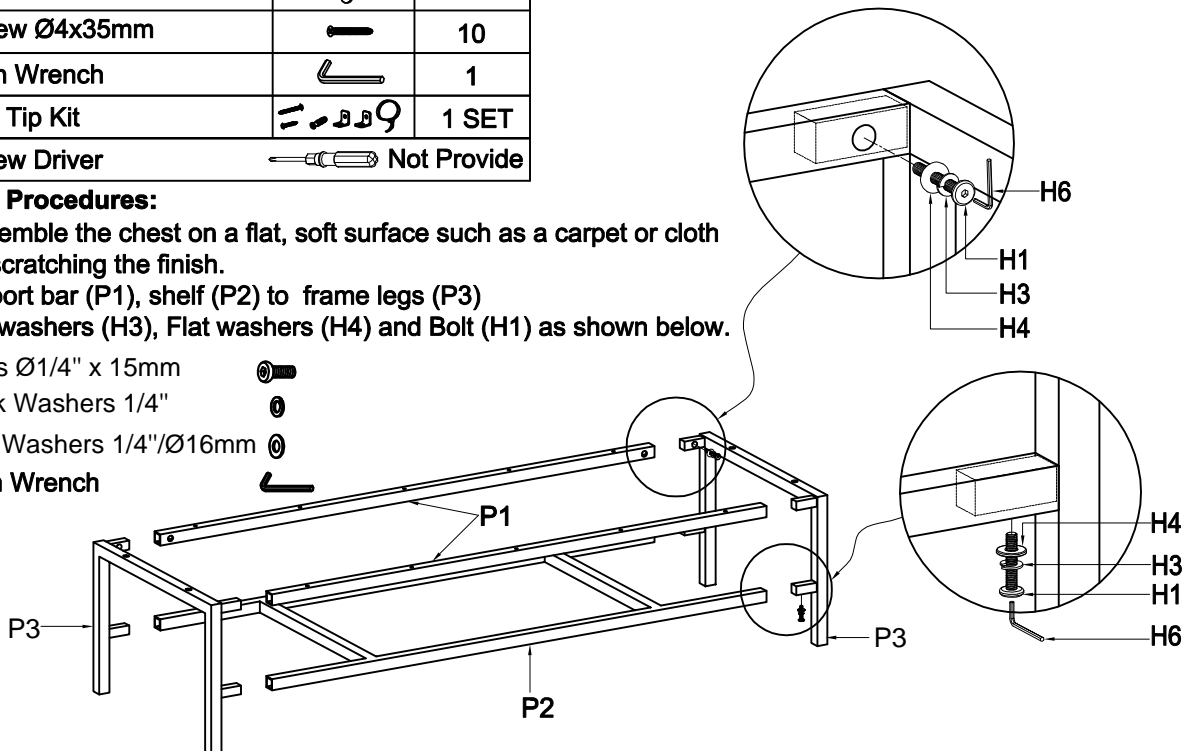
Item	Description	QTY
H1	Bolts $\text{Ø}1/4"$ x 15mm 	8
H2	Bolts $\text{Ø}1/4"$ x 35mm 	4
H3	Lock Washers 1/4" 	12
H4	Flat Washers 1/4"/ $\text{Ø}14\text{mm}$ 	12
H5	Screw $\text{Ø}4 \times 35\text{mm}$ 	10
H6	Allen Wrench 	1
H7	Anti Tip Kit 	1 SET
H8	Screw Driver  Not Provide	

Assembly Procedures:

Step 1: Assemble the chest on a flat, soft surface such as a carpet or cloth to prevent scratching the finish.

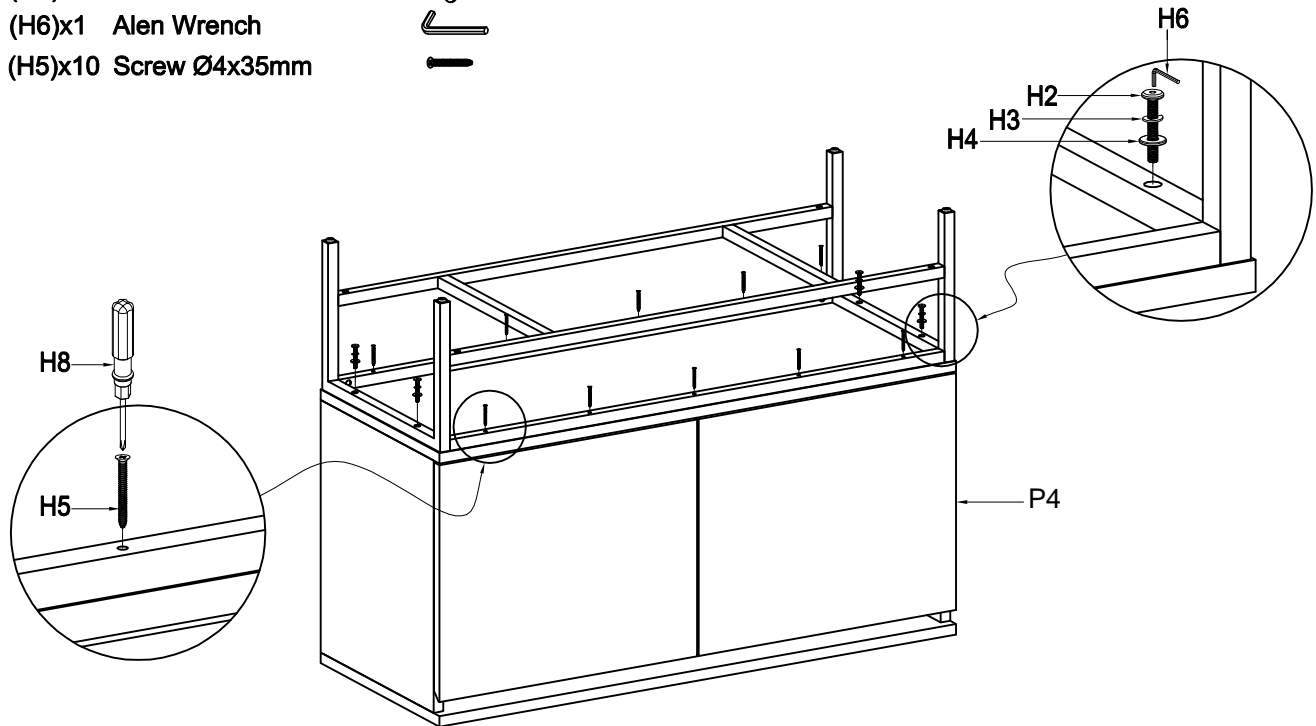
Attach support bar (P1), shelf (P2) to frame legs (P3) using Lock washers (H3), Flat washers (H4) and Bolt (H1) as shown below.

- (H1)x8 Bolts $\text{Ø}1/4"$ x 15mm 
- (H3)x8 Lock Washers 1/4" 
- (H4)x8 Flat Washers 1/4"/ $\text{Ø}16\text{mm}$ 
- (H6)x1 Allen Wrench 



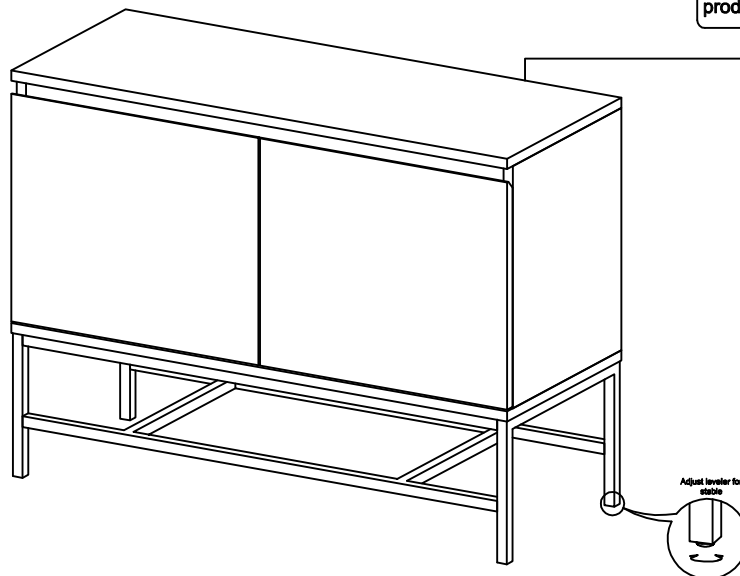
Step 2: Attach metal frame to chest (P4) using Screw (H5), Lock washers (H3), Flat washers (H4) and Bolt (H2) as shown below.

- (H2)x4 Bolts Ø1/4" x 35mm 
- (H3)x4 Lock Washers 1/4" 
- (H4)x4 Flat Washers 1/4"/Ø16mm 
- (H6)x1 Allen Wrench 
- (H5)x10 Screw Ø4x35mm 



Step 3: Turn the assembled accent chest to an upright position. Assembly is complete.

Anti Tip Kit has been attached to the product. Please, read guideline thoroughly and then install immediately to prevent product from tipping.



ADDITIONAL NOTE ABOUT SAFETY: BOLTS MAY LOOSEN DURING NORMAL EVERYDAY USE. THEY SHOULD BE PERIODICALLY INSPECTED AND RE-TIGHTENED TO PREVENT DAMAGE OR INJURY. ALWAYS CHECK TO ENSURE THAT ALL HARDWARE IS KEPT TIGHTENED.

Thank you for your purchase