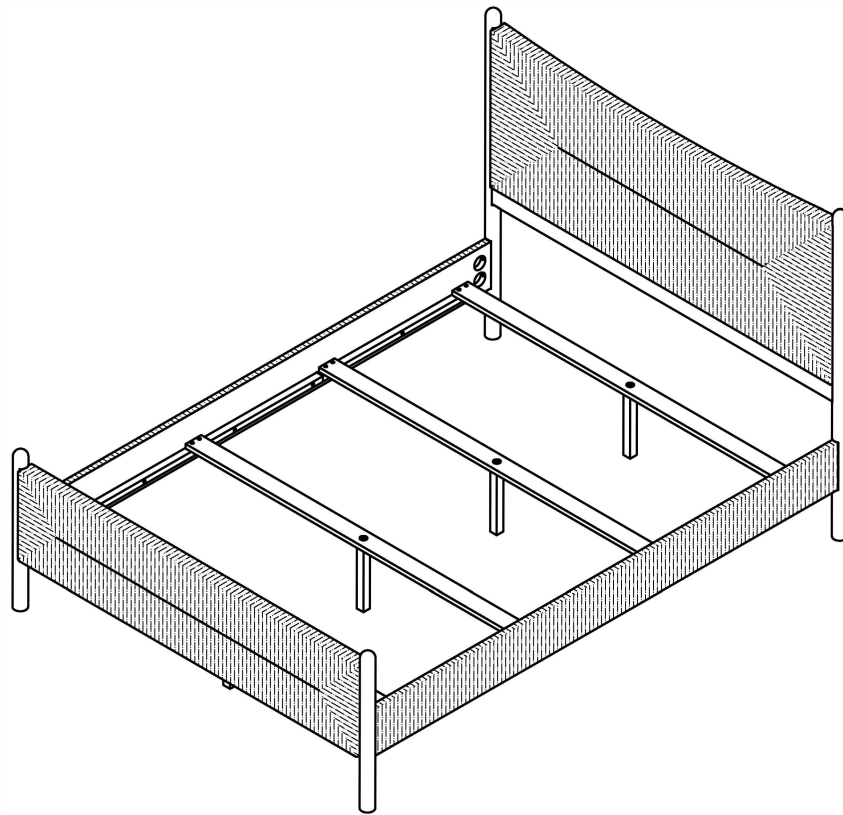


BANANA STEM QUEEN BED

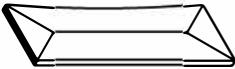






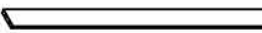


Assembly Instructions






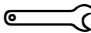







Thanks for bringing into your home

Every thing we make is incredibly simple to set up, including your new queen bed. You won't need any additional tools.

Parts List

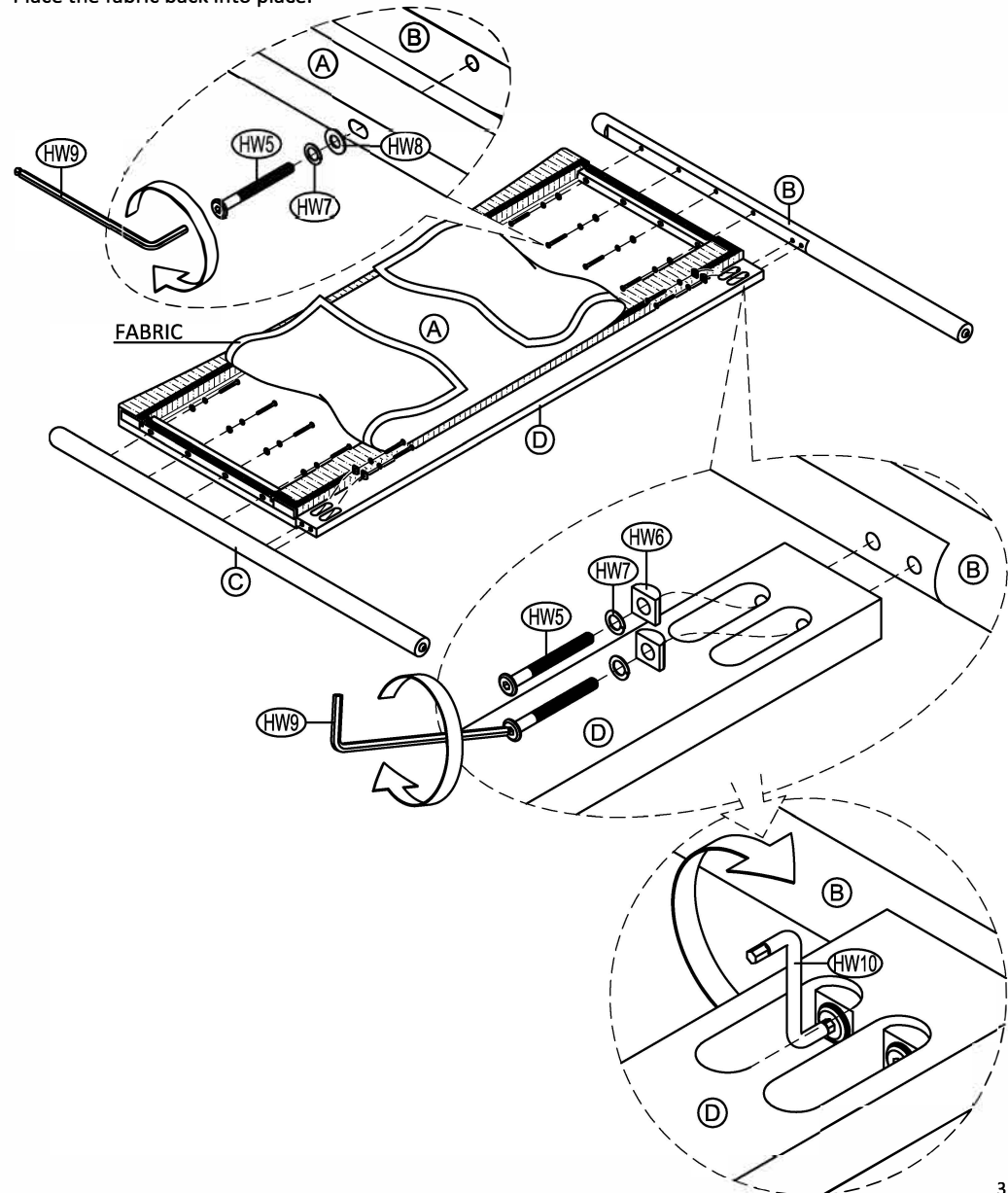
A x 1 HEADBOARD	
B x 1 LEFT POST	
C x 1 RIGHT POST	
D x 1 STRETCHER	
E x 1 FOOTBOARD	
F x 1 LEFT LEG	
G x 1 RIGHT LEG	
H x 2 SIDE RAIL	
I x 4 SLAT	
J x 4 CENTER LEG	

Hardware List

HW1 x 8 THREADED ROD 5/16"x0.06"x2 3/8"	
HW2 x 8 SQUARE WASHER	
HW3 x 8 HEX NUT	
HW4 x 1 HEX WRENCH	
HW5 x 18 BOLT 6x1x60 mm	
HW6 x 4 SPACER	
HW7 x 18 SPRING WASHER Ø13x1 mm	
HW8 x 14 FLAT WASHER Ø16x1 mm	
HW9 x 1 L KEY	
HW10 x 1 ALLEN KEY	
HW11 x 16 ROUND HEAD SCREW 4x1x25 mm	

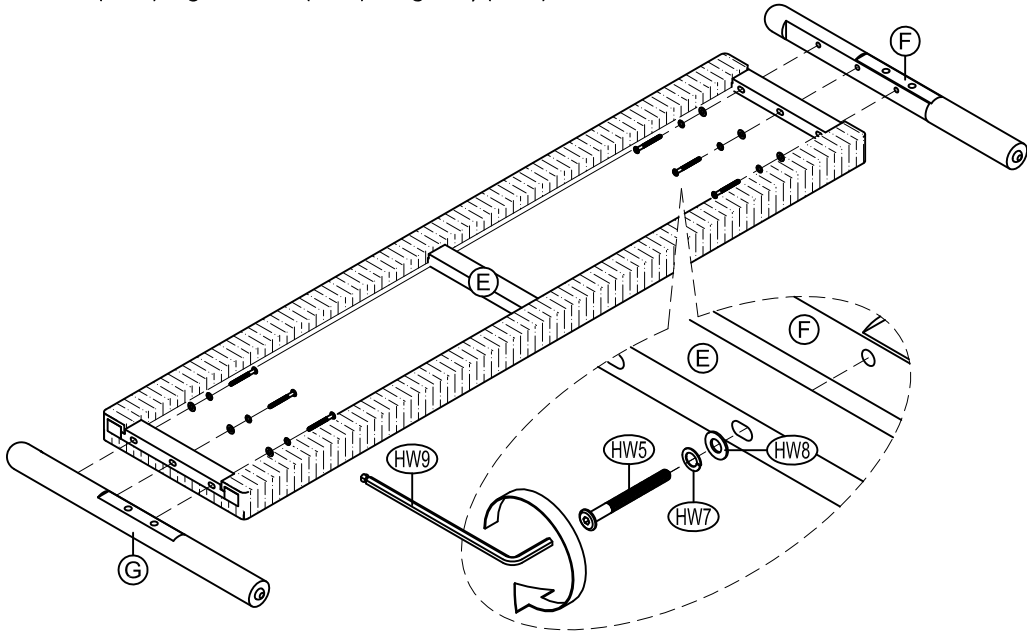
1

Uncover the fabric on both ends of the back of the Headboard (A).
Attach Headboard (A) to Left Post (B) using Bolts (HW5), Spring Washers (HW7) and Flat Washers (HW8).
Attach Stretcher (D) to Left Post (B) using Bolts (HW5), Spacers (HW6) and Spring Washers (HW7).
Attach Bolts (HW5) using L Key (HW9).
Attach Right Post (C) to Unit using Bolts (HW5), Spacers (HW6), Spring Washers (HW7) and Flat Washers (HW8).
Attach Bolts (HW5) using L Key (HW9). Tighten all Bolts (HW5) using L Key (9) and Allen Key (HW10) at the same time when the Headboard (A) and Stretcher (D) are properly assembled.
Place the fabric back into place.



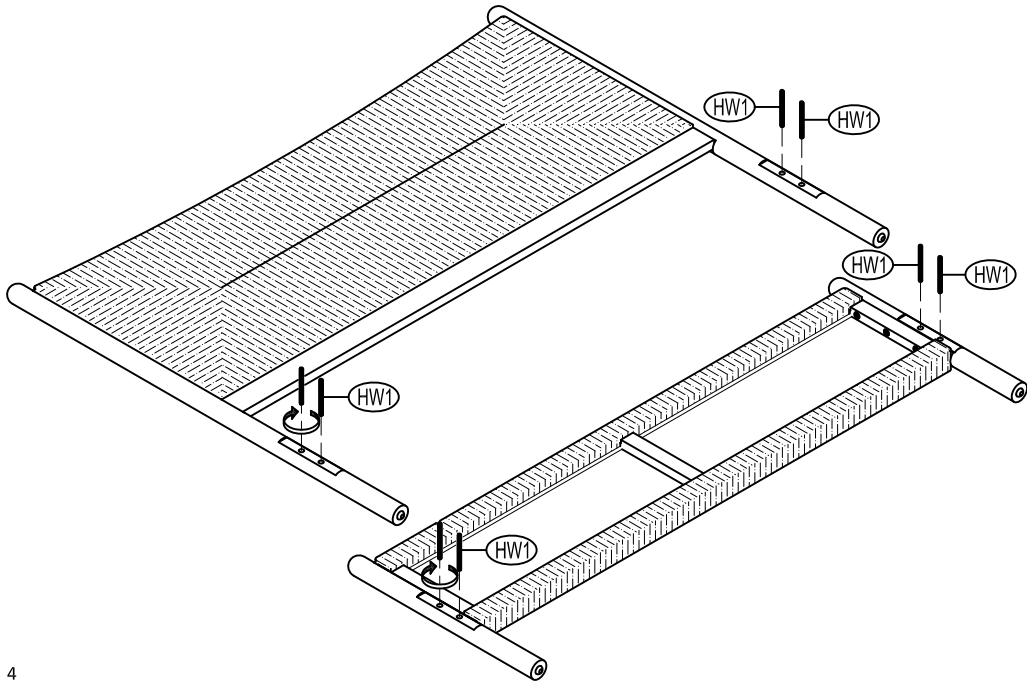
2

Attach Footboard (E) to Left and Right Leg (F) and (G) using Bolts (HW5), Spring Washers (HW7) and Flat Washers (HW8). Tighten Bolts (HW5) using L Key (HW9).



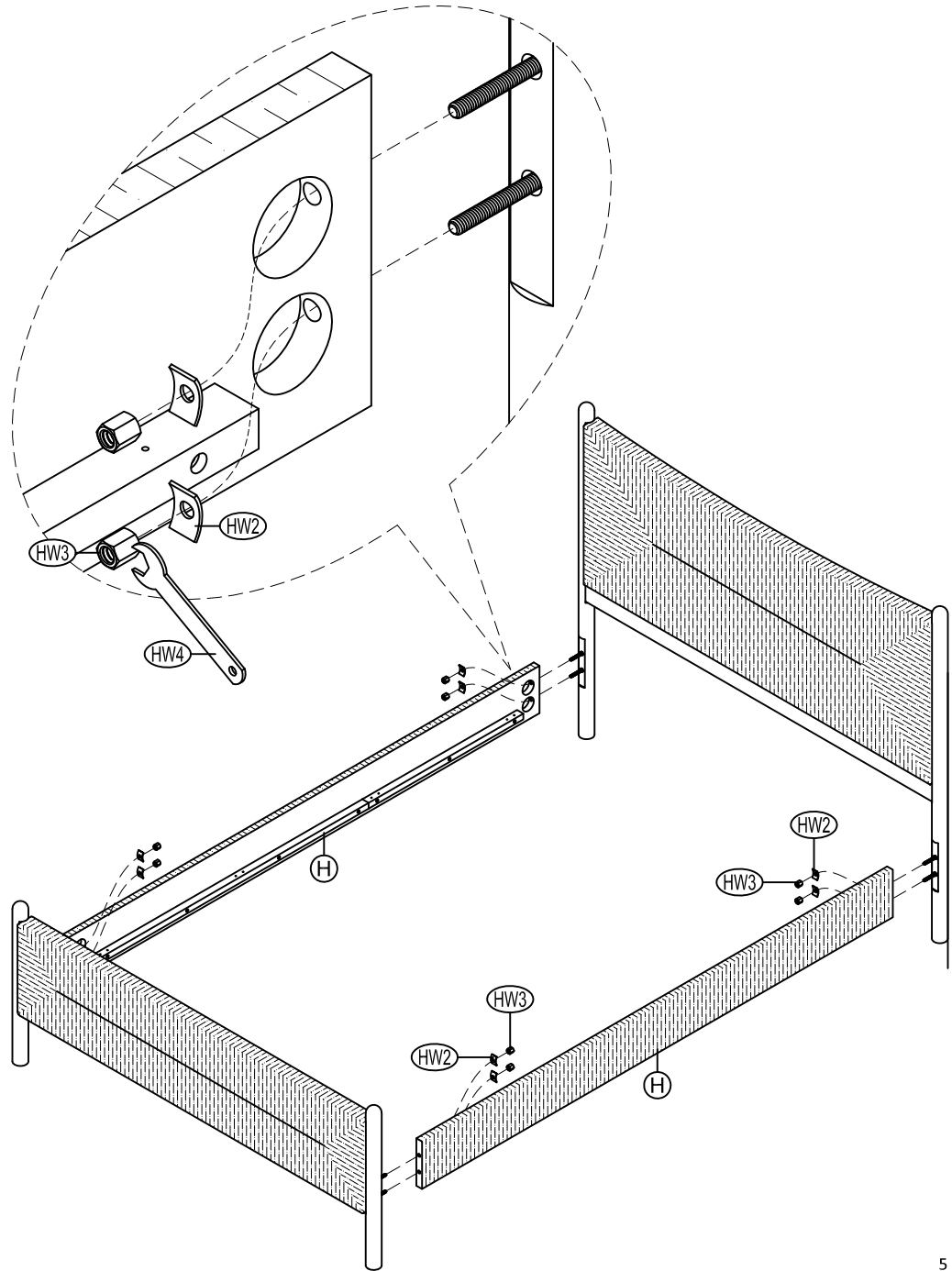
3

Attach Threaded Rods (HW1) to the Headboard and Footboard assemblies. Tighten the Rods.



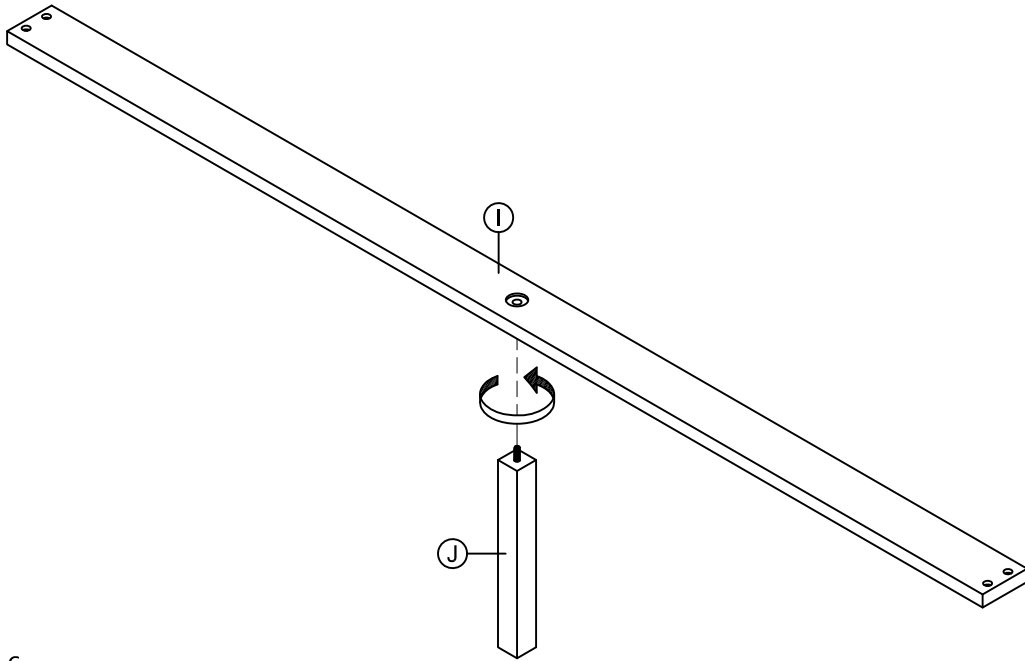
4

Attach Side Rails (H) to the Headboard and Footboard assemblies using Square Washers (HW2) and Hex Nuts (HW3). Tighten Nuts using the Hex Wrench (HW4).



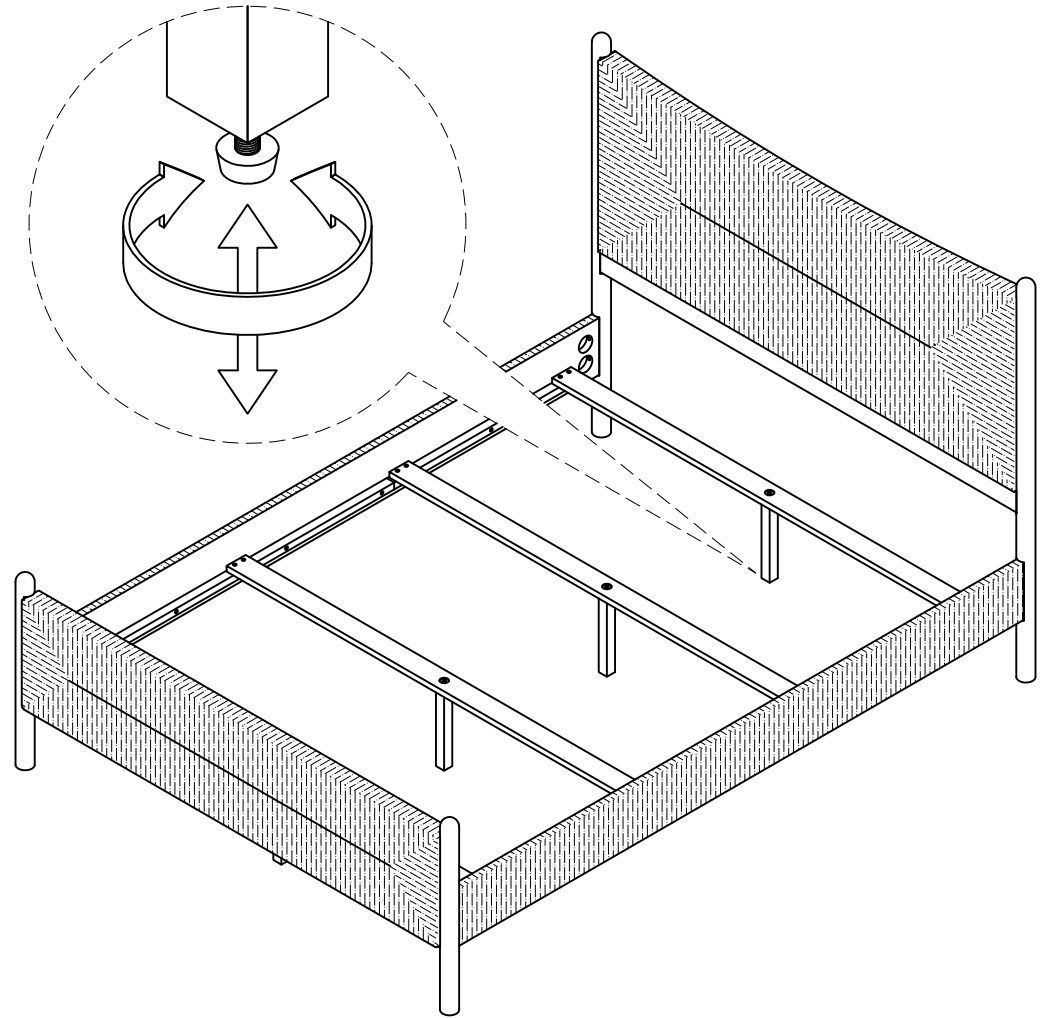
5

Screw in Center Legs (J) to Slats (I).



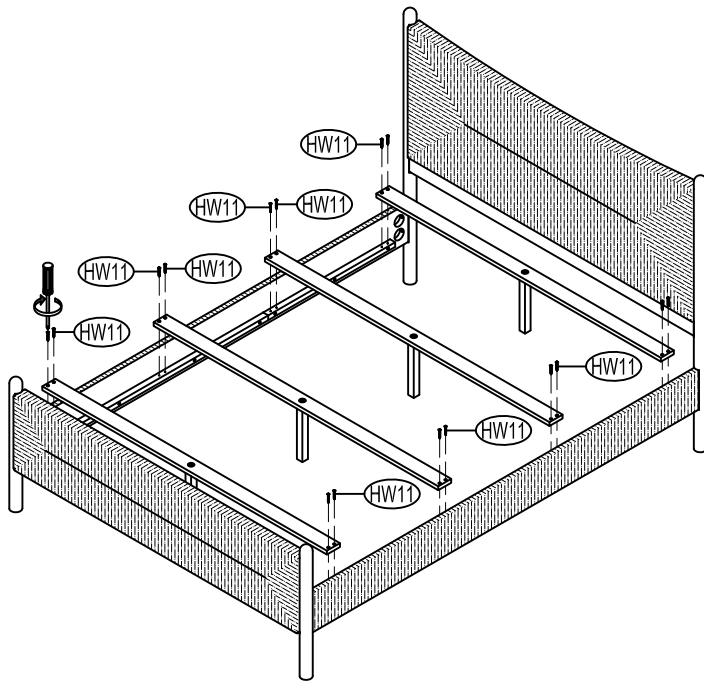
7

Level the bed by adjusting the adjustable levelers on the bottom of the Center Legs.



6

Attach the Slats to the Side Rails by screwing in Round Head Screws 25mm (HW11).



6

7