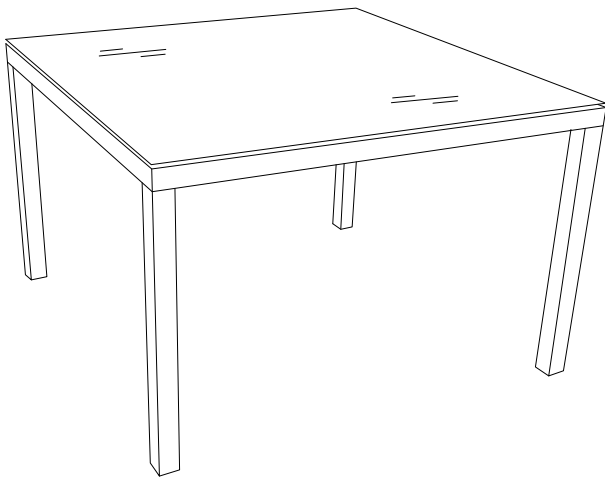
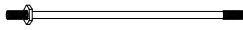





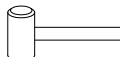


Before you start, here is some helpful advice:

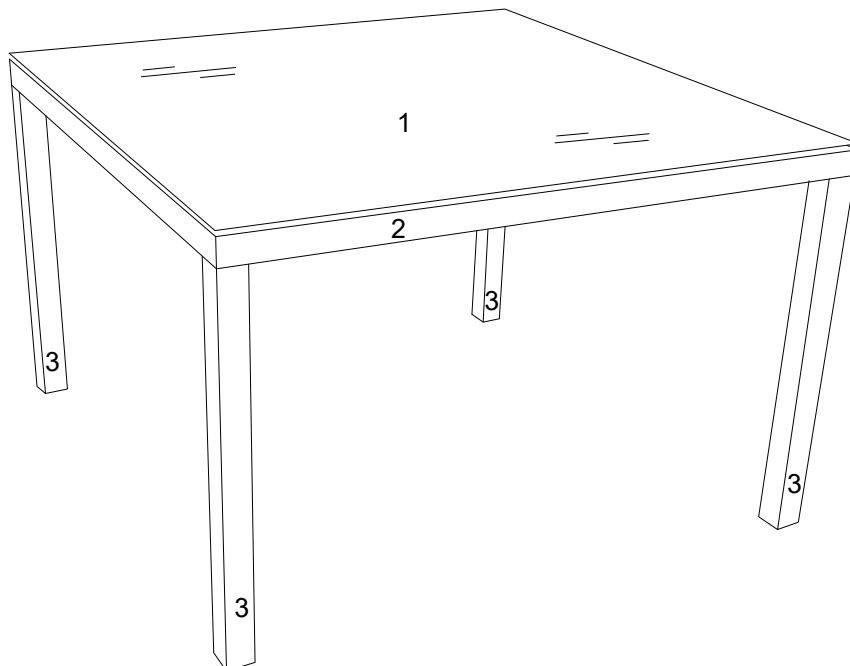
1. We suggest you spend a short time reading through this leaflet and then follow the simple step by step instructions.
2. Owing to the size and weight of the table, we recommend that it is assembled by two adults, on a carpeted or padded area, in the room that it is intended for. Approximate assembly time: 30 minutes.
3. Please do not use any tools other than those provided or recommended in these instructions.
4. Please do not throw away any of the packaging or instructions until you have checked all the components and hardware and the furniture is fully assembled.
5. Assemble all components loosely until advised to tighten. Depending on use, it may be necessary to tighten the components from time to time, so please save the tools that have been provided.
6. Please keep all pieces out of reach of children.



Hardware:

A		Double-End Bolt	x 4
B		Nut 1/4"	x 4
C		Spring Washer 1/4"	x 8
D		Flat Washer 1/4"	x 8
E		Wrench 1/4"	x 1
F		Plastic Cover	x 4
		Hammer (Not provided)	

Component:



1	Table Glass	x1	2	Table Top	x1	3	Table Leg	x4
---	-------------	----	---	-----------	----	---	-----------	----

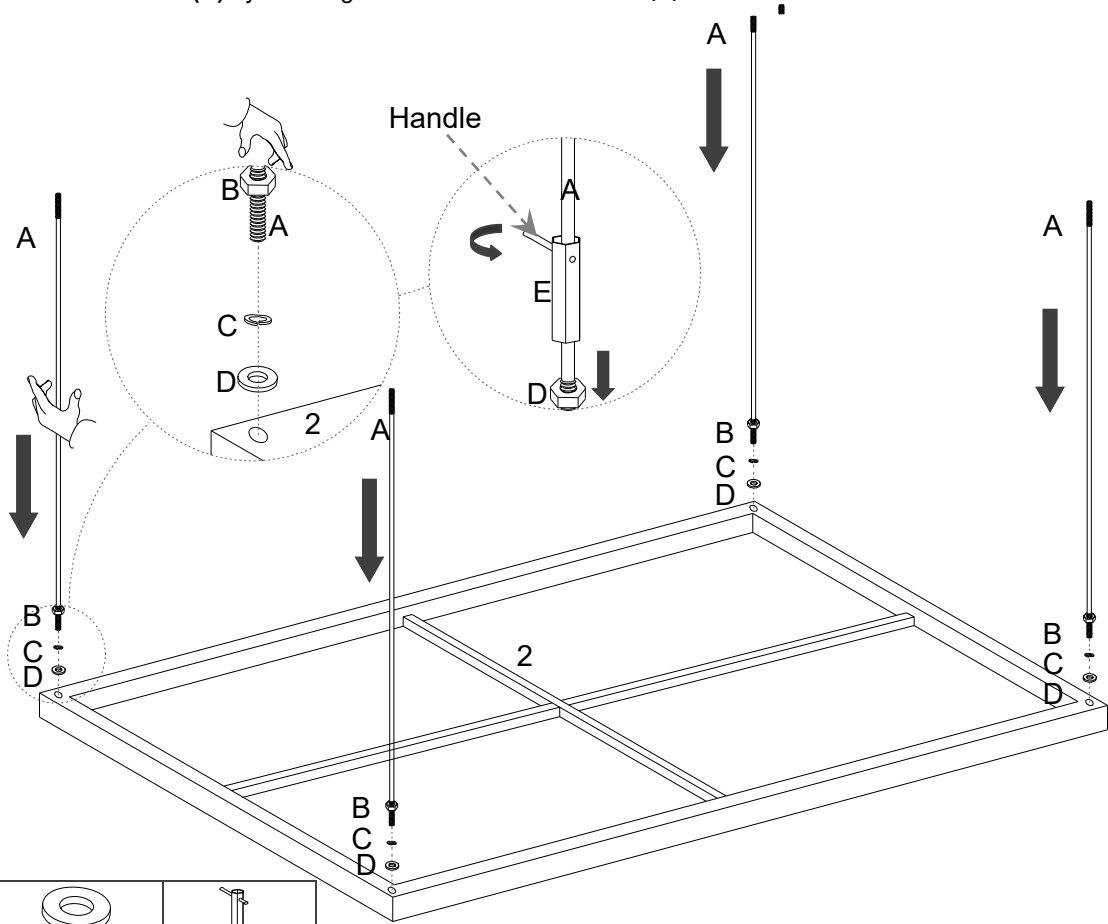
STEP 1:

Please put **Table Top (2)** upside down on a carpeted or padded area.

Fully secure 4 pieces of **Double-End Bolt (A)** with 4 pieces of **Spring Washer (C)**, 4 pieces of **Flat Washer (D)** into the bottom of **Table Top (2)** as shown.

Secure the assembled **Nuts (B)** towards **Table Top (2)** by hand as shown.

Insert **Wrench (E)** without handle into the assembled **Double-End Bolts (A)** and use **Wrench (E)** to fully secure **Nuts** which pre-assembled on **Double-End Bolts (A)** by inserting half of handle into **Wrench (E)** as shown.



Cx4	Dx4	EX1

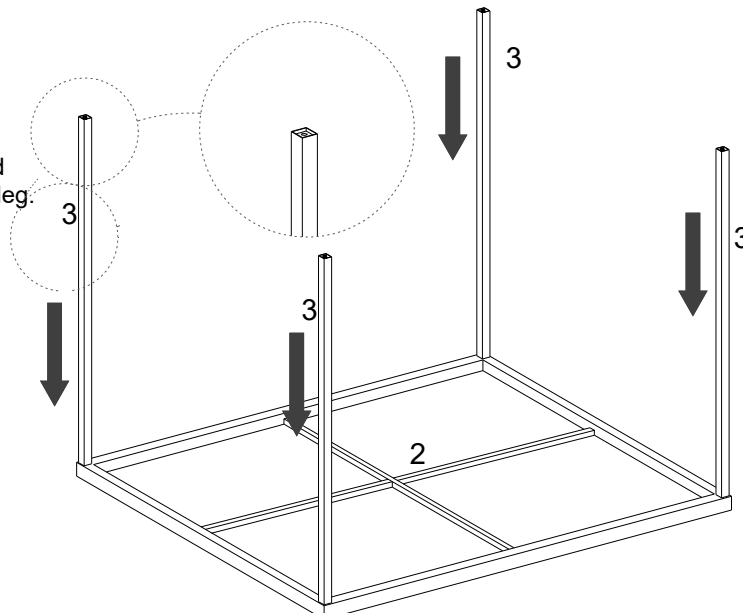
Hardware & Tool required

STEP 2:

Put 4 pieces of **Table Leg (3)** to **Table Top (2)** through the assembled **Double-End Bolt (A)** as shown.

Note:

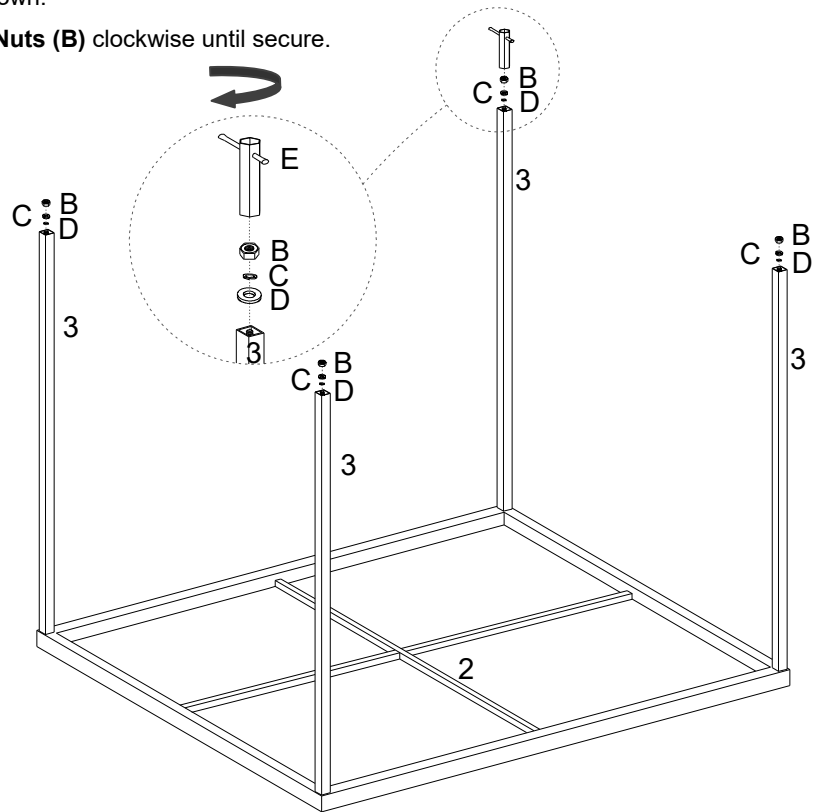
This side with middle of pre-drilled holes face toward to the another leg.







STEP 3:

Secure 4 pieces of **Nut (B)**, 4 pieces of **Spring Washer (C)**, and 4 pieces of **Flat Washer (D)** to the other end of assembled **Double-End Bolt (A)** as shown.

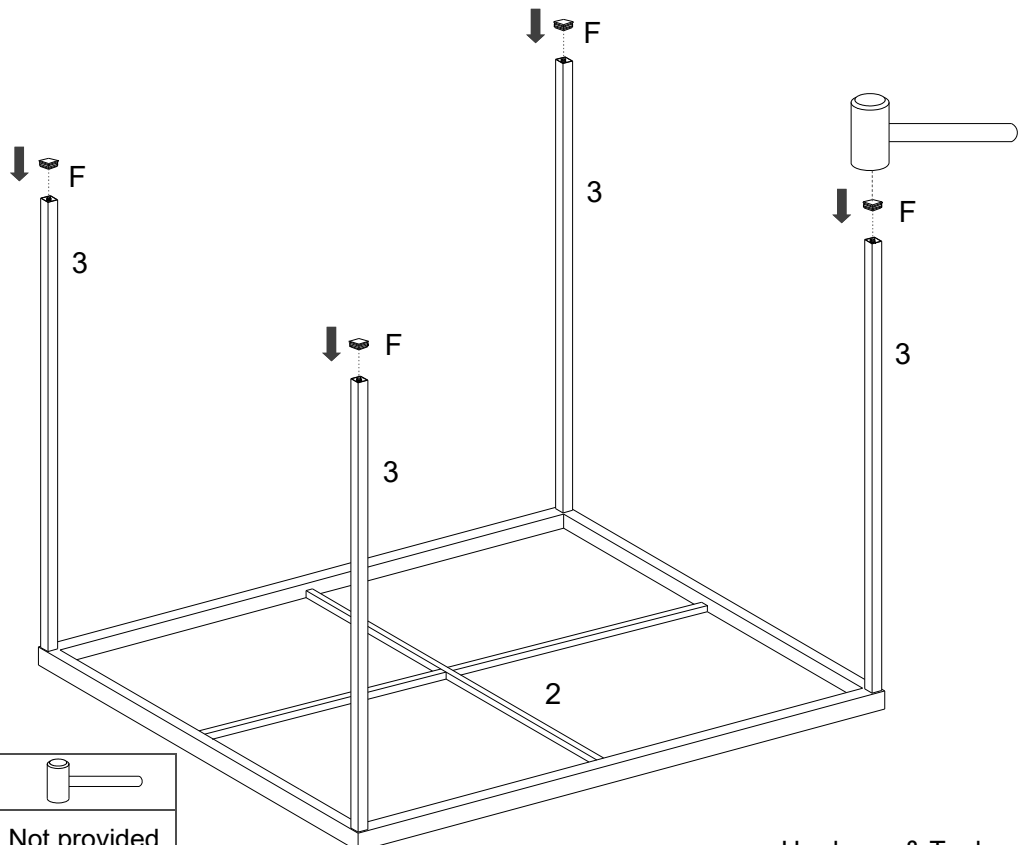
Use **Wrench (E)** to tighten **Nuts (B)** clockwise until secure.

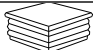
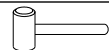


			
Bx4	Cx4	Dx4	Ex1

STEP 4:

Insert 4 pieces of **Plastic Cover (F)** into the assembled **Table Leg (3)** by using **Hammer (Not provided)** as shown.



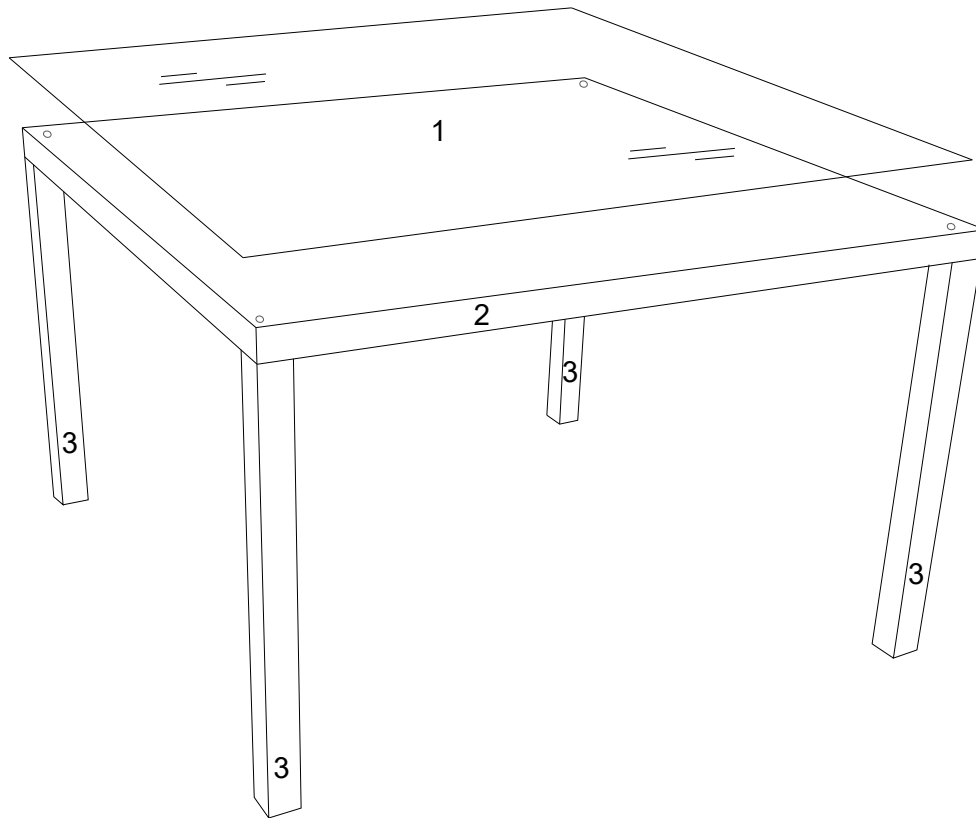
	
Fx4	Not provided

Hardware & Tool required

STEP 5:

Carefully turn over the assembled table.

Put **Table Glass (1)** to the **Table Top (2)** as shown.



Assembly is complete. Your table is ready to be used now!