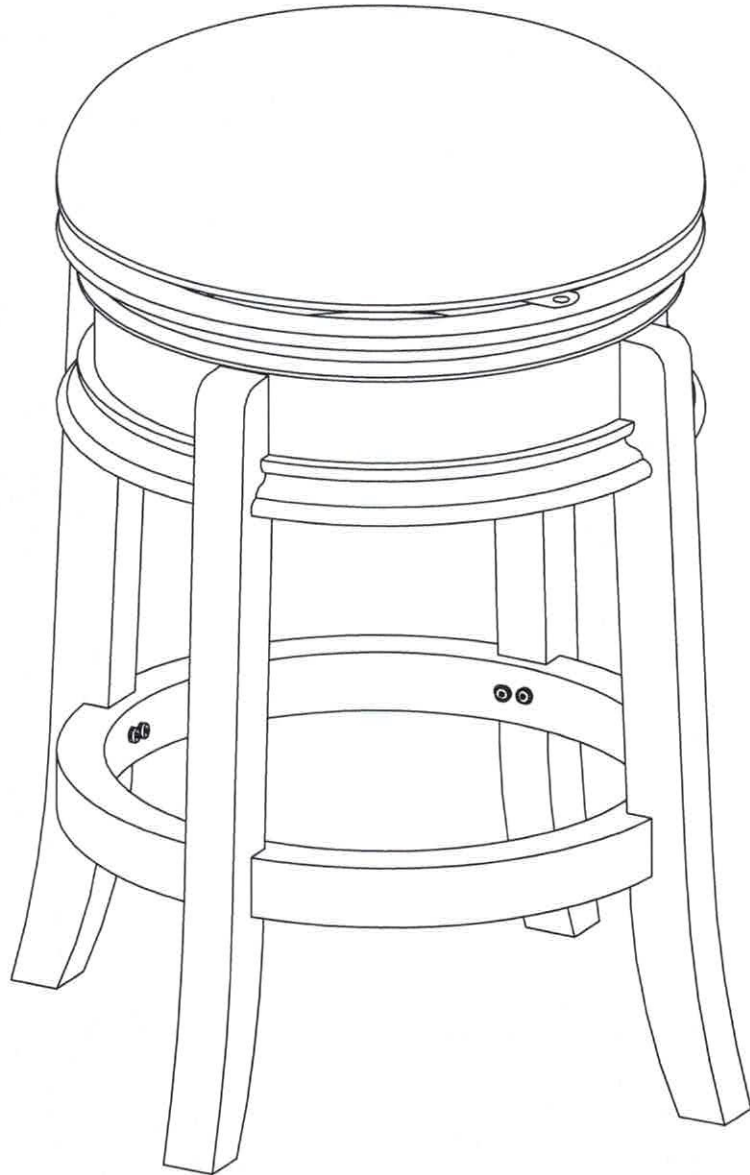
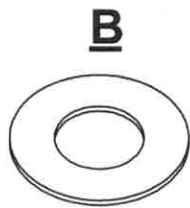


SWIVEL STOOL
ASSEMBLY INSTRUCTIONS

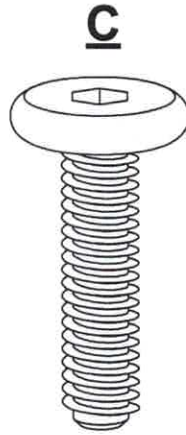




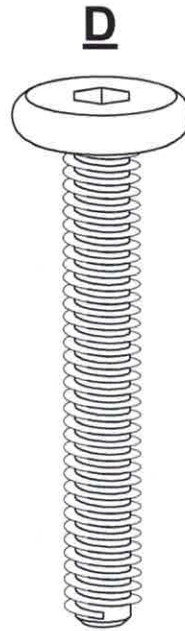
16 PCS



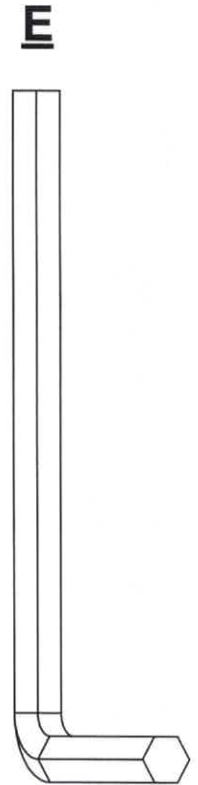
20 PCS



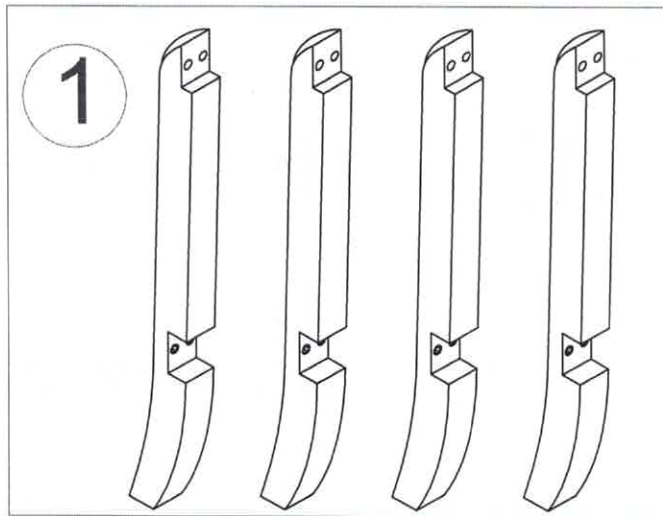
4 PCS



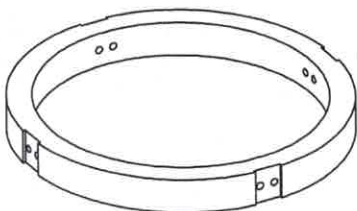
16 PCS



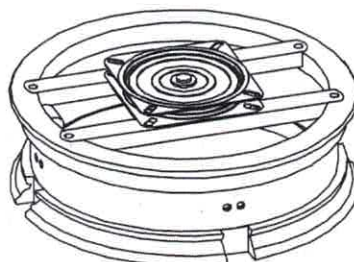
1 PC



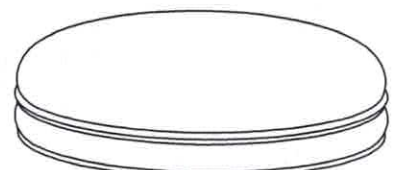
2



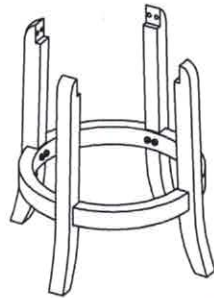
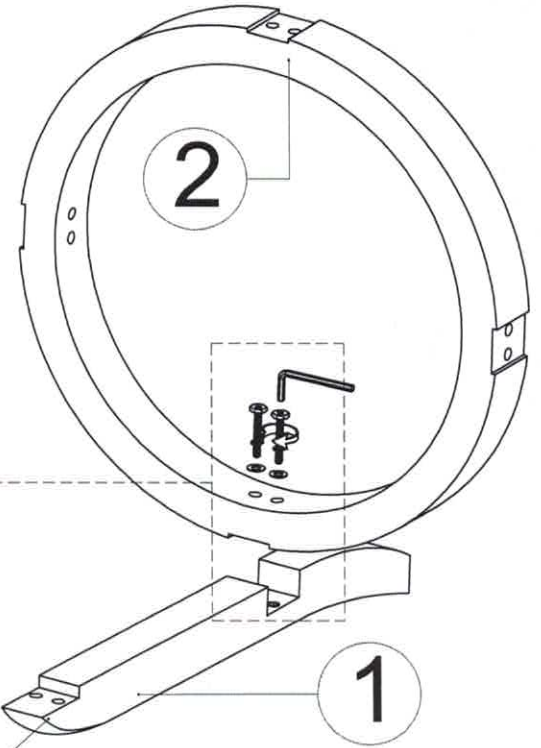
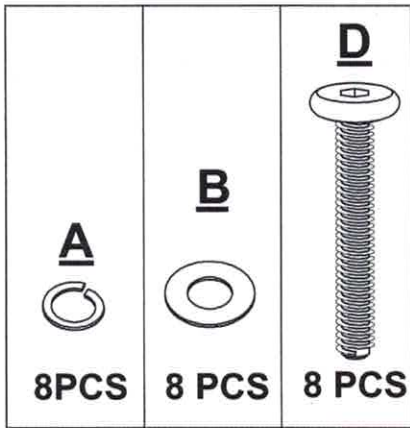
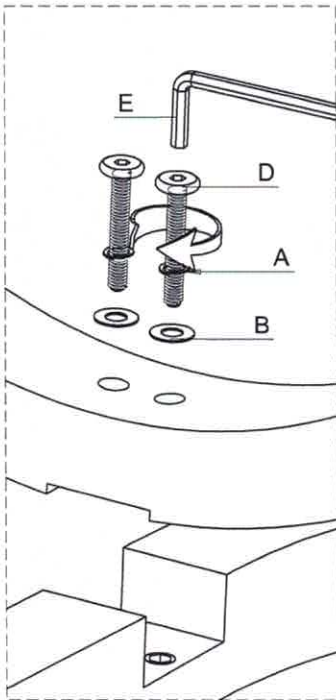
3



4



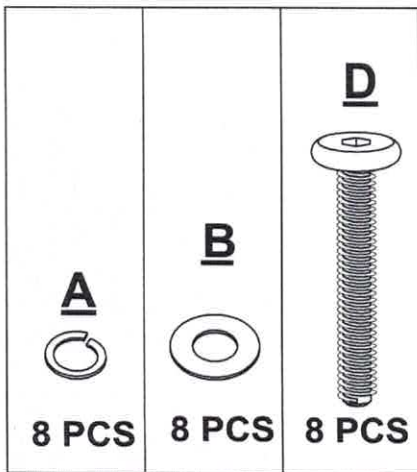
01



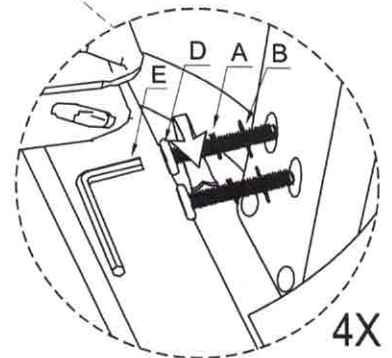
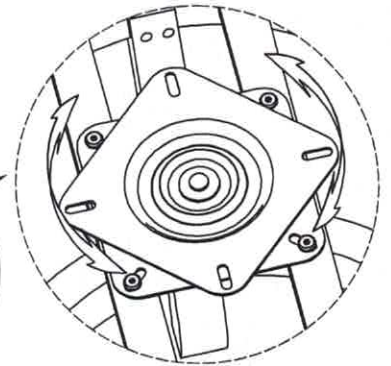
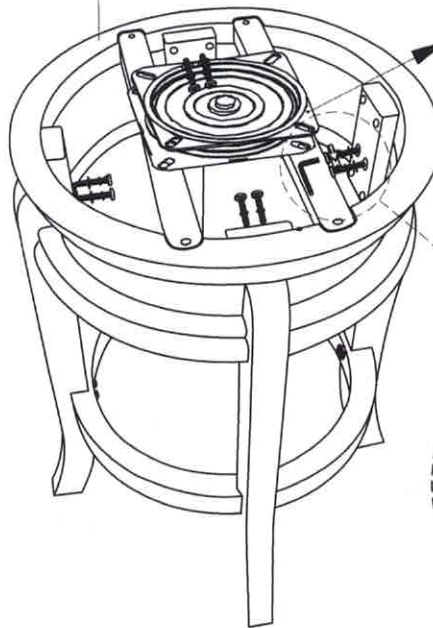
4X

DO NOT TIGHTEN BOLT COMPLETELY.

02



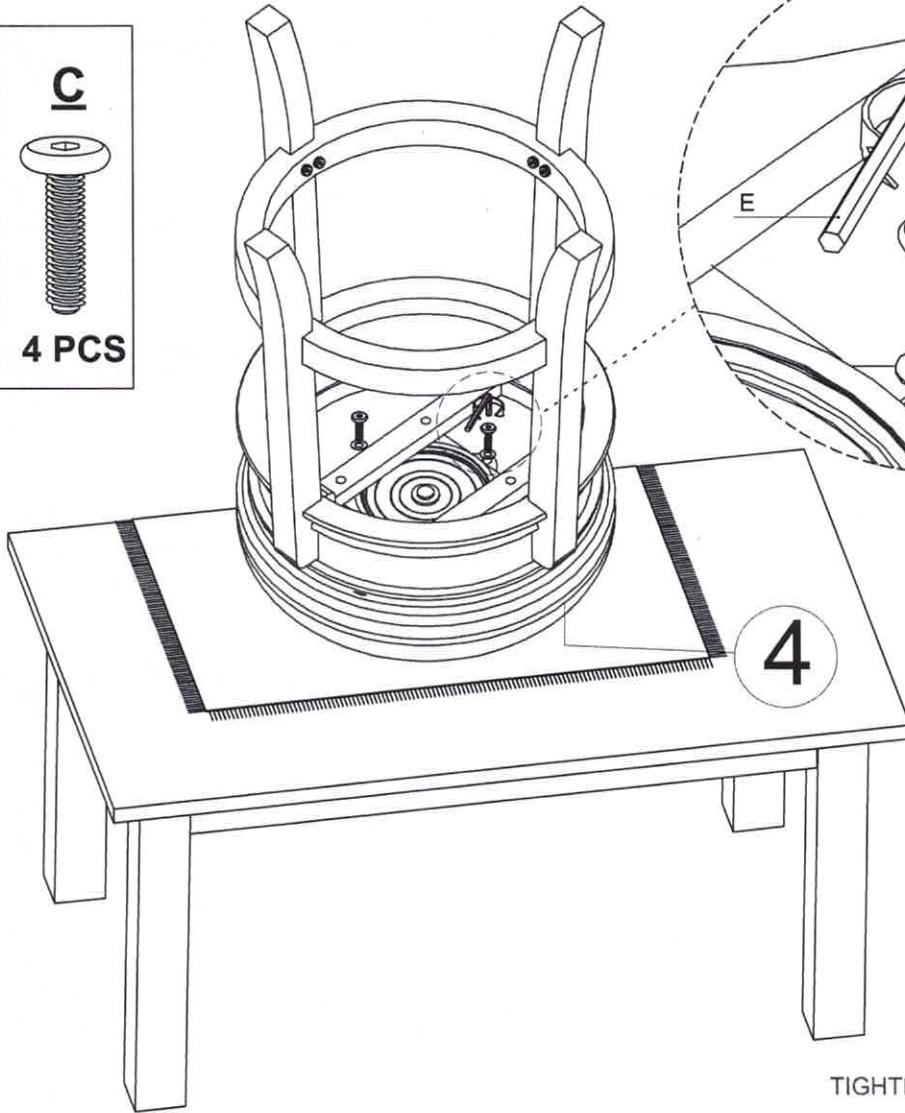
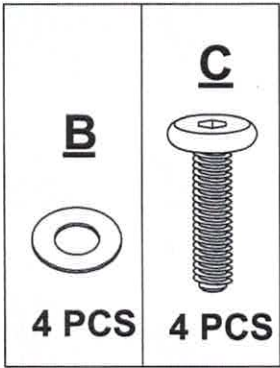
3



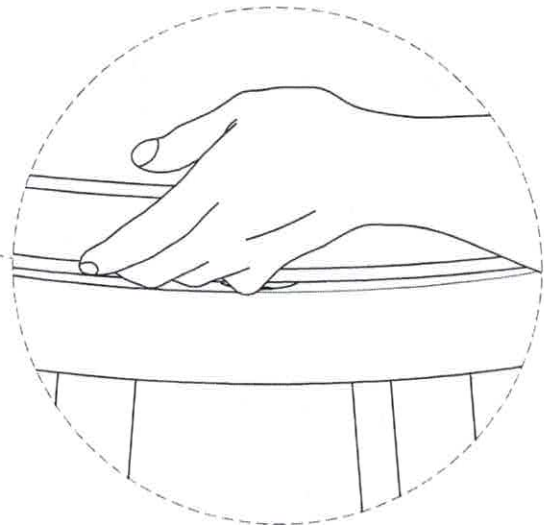
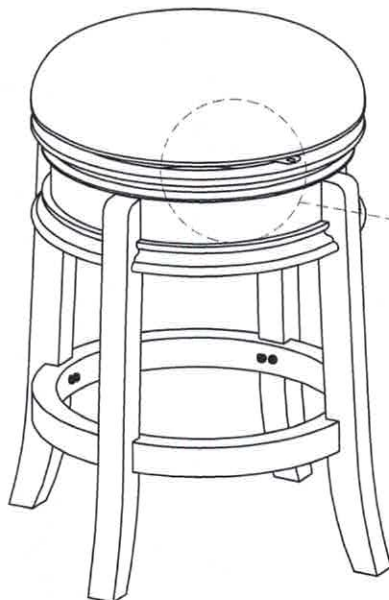
4X

TIGHTEN BOLT COMPLETELY.

03



TIGHTEN BOLT COMPLETELY.



BE SURE TO CHECK ALL BOLTS ARE SECURELY TIGHTENED PRIOR USING THIS STOOL.