

# IXB

## Compact LED Barn Light

### Product Description

The IXB Series Compact LED Barn Light offers dependable security and area lighting with crisp, clear visibility. Providing over 7,000 lumens of bright 5000K daylight, it uses only 60 watts of power for an impressive efficiency of over 118 lumens per watt. This new, more compact design, while smaller than previous generations, maintains its high-performance lighting quality. Measuring just over 10 inches front to back with a 7-inch diameter, the IXB is an economical and versatile solution for wall or pole installations. With a built-in photocell, it automatically switches on at dusk and off at dawn, maximizing energy savings. Perfect for general outdoor lighting applications.

#### Construction

- Die-cast aluminum housing for optimal durability
- Stainless steel hardware
- Fine-textured, UV-stabilized powder coat bronze finish

#### Optical System

- Impact-resistant, prismatic, and fully sealed polycarbonate diffuser lens
- 111° beam angle distribution
- 5000K color temperature for maximum brightness
- CRI= 73 for true color rendering

#### Electrical

- Input voltage of 120VAC
- 60W power draw (350W equivalent)
- Power factor: >0.9
- THD < 20%
- Operating temperature rating of -40°F to 113°F (-40°C to 45°C)
- 4KV surge protection

#### Controls

- Integrated photocell comes standard

#### Mounting and installation

- Easy wall-mount or pole-mount installation
- Pole-mount arm available as accessory ODL4MOUNTARMBZ
- For installations where power surge may be possible, NICOR recommends installing additional surge protection at the electrical distribution panel

#### Listings

- ETL Intertek safety listing
- IP65 rated ingress protection
- Wet-location rated to withstand the extremes of outdoor exposure
- LM-79, LM-80 testing performed in accordance with IESNA standards
- Meets FCC Part 15, Subpart A, Class B standards for conducted and radiated emissions
- TM-21 Reported L70 life >25,000 hours

#### Warranty

- 3-year limited system warranty standard
- Warranty does not cover product failure due to an overvoltage event (power surge)

Project

Catalog

Type

Date



## IXB Compact LED Barn Light 60W, 5000K CCT



# Ordering

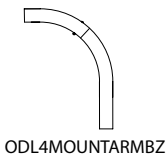
## Ordering Information

Example: IXB10601205K8BZ

Series	Version	Wattage	Voltage	CCTs	CRI	Finish
IXB	10 (Version 1.0)	60 (60W)	120 (120VAC)	5K (5000K)	8 (80+)	BZ (Bronze)

Specifications and dimensions subject to change without notice.

Accessories	
Description	Part Number
Pole mounting arm	ODL4MOUNTARMBZ



### Recommended 0-10VDC Dimmers\*

- Lutron NTSTV
- Lutron DVSTV
- Cooper SF10P
- Legrand RH4FBL3PW

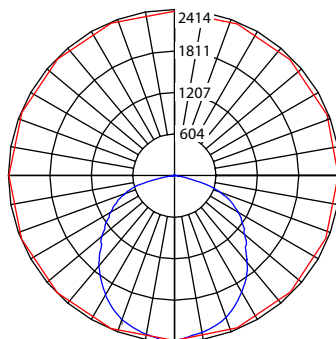
\*Not a complete list. Check compatibility before installation.

## Photometric Data

### IXB 5000K

Input Voltage (VAC)	120VAC
System Level Power (W)	59.18
Delivered Lumens (Lm)	6994
System Efficacy (Lm/W)	118.2
Correlated Color Temp (K)	5027
Color Rendering Index (CRI)	73
Horizontal Beam Angle	111
Vertical Beam Angle	111.6
Spacing Criteria	1.23

Intensity Summary (Candle Power)	
Angle	Mean CP
0	1344
5	1400
15	1422
25	1497
35	1608
45	1527
55	1147
65	827
75	475
85	175
90	108



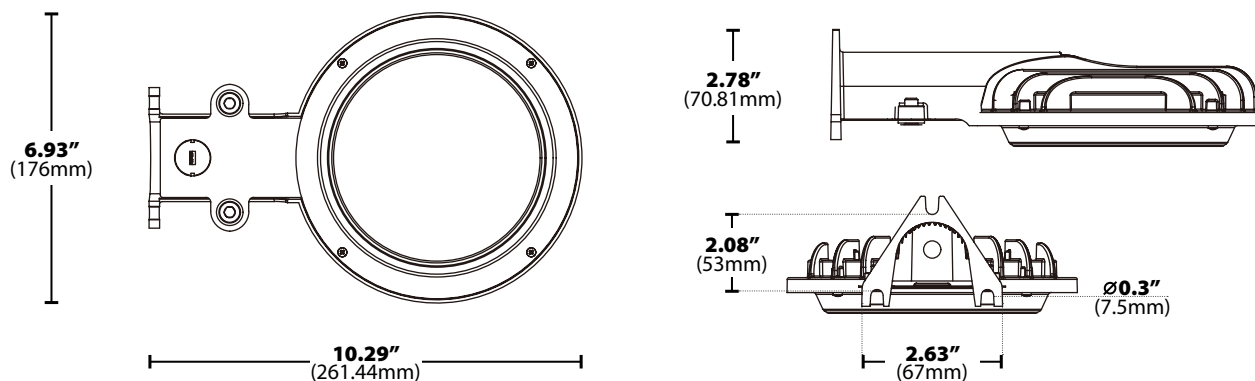
Zonal Lumen Summary		
Zone	Lumens	% of Luminaire
0-30	1842	26.3%
0-40	2997	42.9%
0-60	5262	75.2%
0-90	6875	98.3%
90-180	120	1.7%
0-180	6994	100%

Fixture tested per LM-79-08. Photometric data is of the performance of a representative fixture. Results may vary in the field.

### Performance Data

Model Number	Lumens	Watts	Lumens/Watt	BUG Rating at 0°
IXB10601205K8BZ	6994	59.2	118.2	B2-U3-G1

## Dimensions



This device complies with part 15 of the FCC Rules. Operation is subject to the following two conditions: (1) This device may not cause harmful interference, and (2) this device must accept any interference received, including interference that may cause undesired operation.

NOTE: This equipment has been tested and found to comply with the limits for a Class A digital device, pursuant to part 15 of the FCC Rules. These limits are designed to provide reasonable protection against harmful interference when the equipment is operated in a commercial environment. This equipment generates, uses, and can radiate radio frequency energy and, if not installed and used in accordance with the instruction manual, may cause harmful interference to radio communications. Operation of this equipment in a residential area is likely to cause harmful interference in which case the user will be required to correct the interference at his own expense.