
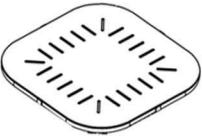

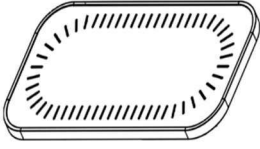



# WINSTON®

Assembly instructions for M69024SQ, M69007-CT

KD Table Parts		
Image	Description	Qty
	Table Base	1
	Table Top	1

or

KD Table Parts		
Image	Description	Qty
	Table Base	1
	Table Top	1

Hardware		
Image	Description	Qty
	1/4-20 X 1 1/2" Hex Bolt	8

## General Instructions

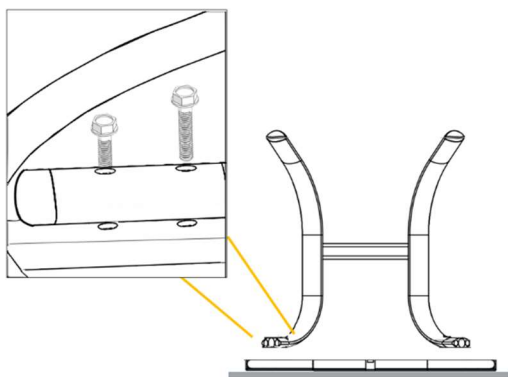
1. Separate and identify all parts, ensuring that all listed components are present.
2. To avoid scratches during assembly, use a soft surface or a cardboard box as a work area.
3. Follow the step-by-step instructions carefully.
4. Do not tighten bolts until all bolts are properly installed.
5. Tighten bolts securely, but do not overtighten.

### Step 1

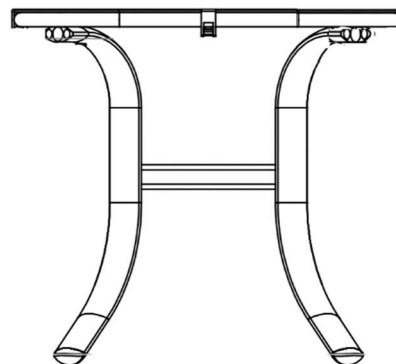
- Place tabletop on a flat/soft surface, position the base legs over the tabletop, aligning the leg holes to the holes in the tabletop. Attach and secure base legs using 1/4" X 1 1/2" Hex bolts.

### Step 2

- Flip the table into an upright position, ensure all bolts are properly tighten.



## Step 1



## Step 2

### Notes:

- Do not allow children to play with plastic wrapping or small parts, as these could be potential choking hazards. Discard immediately.
- Do not stand or climb on this KD Table.
- Periodically check and ensure that all the bolts are completely tightened.