

Model #TPGAZ98018

USE AND CARE GUIDE



Important Safety Instructions



WARNING! To reduce the risk of serious injury or damage to equipment, read all following safety instructions before assembling and using the gazebo. Failure to follow these warnings may result in serious injury or death.

- Keep all children and pets away from assembly area. Children and pets should be supervised while gazebo is being assembled.
- The assembled gazebo should be located at least 6 feet (2 m) from any obstruction such as fence, garage, house, overhanging branches, laundry lines or electrical wires.

Consult with local municipal office for specific requirements

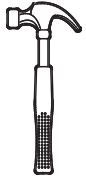
- This product is for domestic outdoor use (providing shade) only.
- Install the gazebo on level ground. Stakes are provided to secure the gazebo to the ground. Do not assemble the gazebo on sandy, muddy or loose soil, as stakes do not have enough holding power in these types of soil. If you wish to secure the gazebo to a wood deck or concrete surface, use anchors suited to these surfaces (anchors not included).
- Some parts may contain sharp edges. Wear protective gloves if necessary during assembly.
- This unit is heavy. DO NOT assemble this item alone. Make sure you have the help of at least 3 people for safe assembling or moving the gazebo.
- Check all nuts and bolts periodically for tightness and when required, tighten them again.
- While this gazebo is manufactured to withstand winds through only the supplied ground stakes, in areas subject to frequent severe weather, securing the gazebo to a deck, concrete patio or footings should be considered.
- Remove accumulated water on the roof immediately, or disassemble the gazebo in order to avoid damages.
- Snow must be cleared off regularly throughout the winter season.
In order to avoid damages, use a plastic snow shovel to remove snow and ice buildup from roof and keep away from falling debris.
- ALWAYS DISASSEMBLE the gazebo before experiencing heavy wind conditions, as it is semi-permanent construction and not designed to withstand harsh weather, including high wind, or heavy rain and snow.
- Please check your state and local regulations prior to installing the gazebo. Some jurisdictions may require permits for installation and use. Some special procedures may be valid in your area.

CAUTION

- DO NOT use or enter the gazebo under harsh weather (e.g. thunderstorms, high winds, hail, heavy snow etc.). In these conditions, it might tip over and could cause serious injury to bystanders. Any damage or injury caused by these conditions is not covered by the warranty.
- DO NOT install the gazebo adjacent to trees or a sloped roof. Snow and ice may slide onto the gazebo and cause it to collapse.
- DO NOT use or enter the gazebo if there exist any of the following or of similar conditions:
 1. visible movement of support members, roofing panels or sagging roofline.
 2. creaks or audible noise from the gazebo.
 3. cracks, fractures or malformation of support member or roof panels.
 4. damaged or missing fasteners.
- DO NOT hang any weights on the roof frame.
- DO NOT use ladder leaning against the gazebo or climbing onto the roof.
- Keep away from heat or flame source.
- If the gazebo will not be used for a long period of time (e.g. during winter time), disassemble and store it in a clean, dry location.

PREPARATION

Required for Assembly:



Hammer



Screwdriver



Safety goggles



Gloves



Hardhat



Stepladder

Before beginning assembly of product, make sure all parts are present. Compare parts with package contents list and hardware contents list.

If any part is missing or damaged, do not attempt to assemble the product.

Arrange manpower of 4 or more when assembling or moving the product.

Estimated Assembly Time: 90 - 120 minutes.

Maximum load for the roof hook: 50lbs.

CARE AND MAINTENANCE

• Our steel components for gazebo and garden accessories are treated with rust inhibiting paint that protects it from rusting. However, due to the nature of steel, surface oxidation (rusting) will occur if these protective coatings are scratched. This is not a defect and thus not covered by the warranty.

To minimize this condition, we recommend care when assembling & handling the product to prevent scratching the paint.

Should any scratching or damage occur, we recommend immediate touch-up with rust inhibiting paint.

Surface rust can also be easily removed with a very light application of regular cooking oil. If surface oxidation (rusting) occurs and if no measure is taken to prevent this, the oxidation may start dripping onto deck or patio and caused damaging stains, which may be difficult to remove.

This can be prevented if the above-mentioned measures are taken to keep the product from oxidizing.

- Do not use bleach, acid, or other abrasive cleaners on the roof or frame parts.
- Keep user manual for future reference.
- Keep the original packaging to store the gazebo.

Warranty

1 YEAR WARRANTY FOR FRAME, FABRIC AND ELECTRONICS

WHAT IS COVERED

We guarantee 1 year for the whole gazebo from the date of purchase that the frame, fabric and electronics will be free from manufacturing defects.

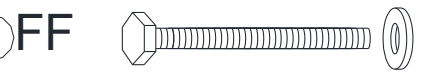
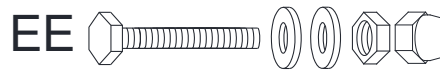
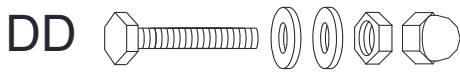
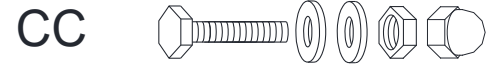
WHAT IS NOT COVERED

This warranty does not cover the damage caused by commercial use, acts of nature, fire, freezing, and abusive use. Discoloration or fading of the finish or fabrics as a result of chemicals or spills is not covered.

HARDWARE INCLUDED



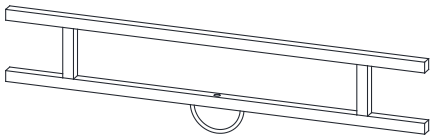
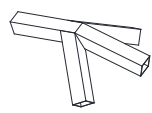



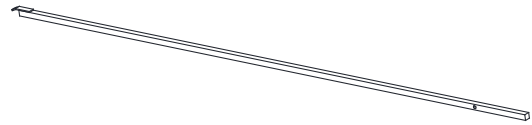
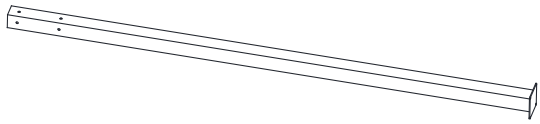
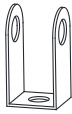
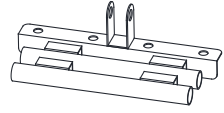
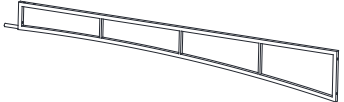
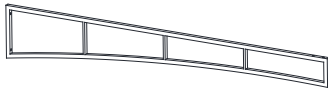
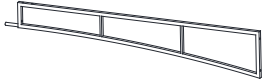

NOTED: Hardware not shown to actual size.



| Part | Description | Size | QTY. |
|------|----------------|---------|------|
| AA | Bolt | M6*25mm | 16 |
| BB | Bolt | M6*15mm | 4 |
| CC | Bolt | M6*25mm | 4 |
| DD | Bolt | M6*30mm | 24 |
| EE | Bolt | M6*35mm | 1 |
| FF | Bolt | M6*60mm | 8 |
| GG | Stake | | 8 |
| HH | Wrench | | 1 |
| II | Hexagon Wrench | | 1 |
| JJ | Hanger | | 88 |
| KK | Cushion Block | | 16 |


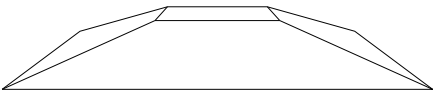
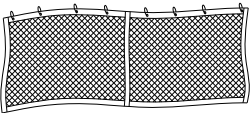
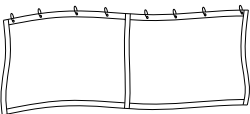


Pre-Assembly (continued)

Package Contents

| ITEM | DESCRIPTION | QTY. | ILLUSTRATION |
|------|-------------------------|------|--|
| A | Center Brace | 1 |  |
| B | Center Device | 2 |  |
| C | Diagonal Bracing Tube | 4 |  |
| C1 | Top Bracing Stern Tube | 4 |  |
| D | Top Bracing Middle Tube | 2 |  |
| E | Top Bracing Tube | 2 |  |
| F | Post | 4 |  |
| G | U-shape Connector | 4 |  |
| H | T-shape Connector | 4 |  |
| I1 | Left Long Beam | 2 |  |
| I2 | Right Long Beam | 2 |  |
| J1 | Left Short Beam | 2 |  |
| J2 | Right Short Beam | 2 |  |

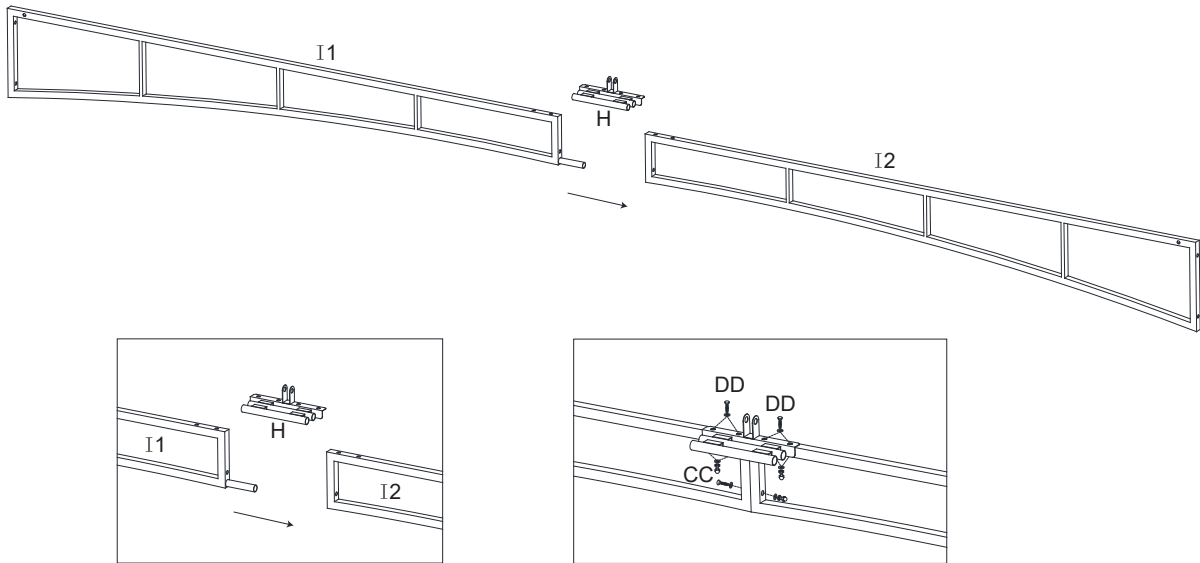
Pre-Assembly (continued)

Package Contents

| ITEM | DESCRIPTION | QTY. | ILLUSTRATION |
|------|----------------|------|--|
| K | Small Canopy | 1 |  |
| L | Big Canopy | 1 |  |
| M | Mosquito Net | 4 |  |
| N | Curtain | 4 |  |
| O | Long Net Tube | 8 |  |
| O1 | Short Net Tube | 8 |  |

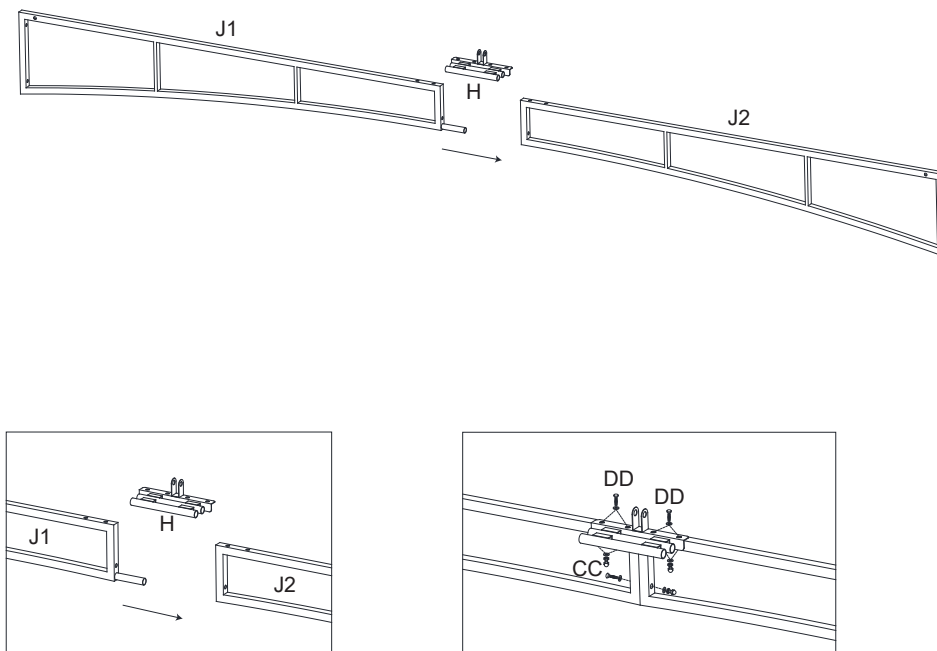
Assembly Instructions

Step 1



1. Insert the Left Long Beam (I1) into the Right Long Beam (I2), then fasten the T-shape Connector (H) and Beams (I1/I2) together by using Bolt (DD).

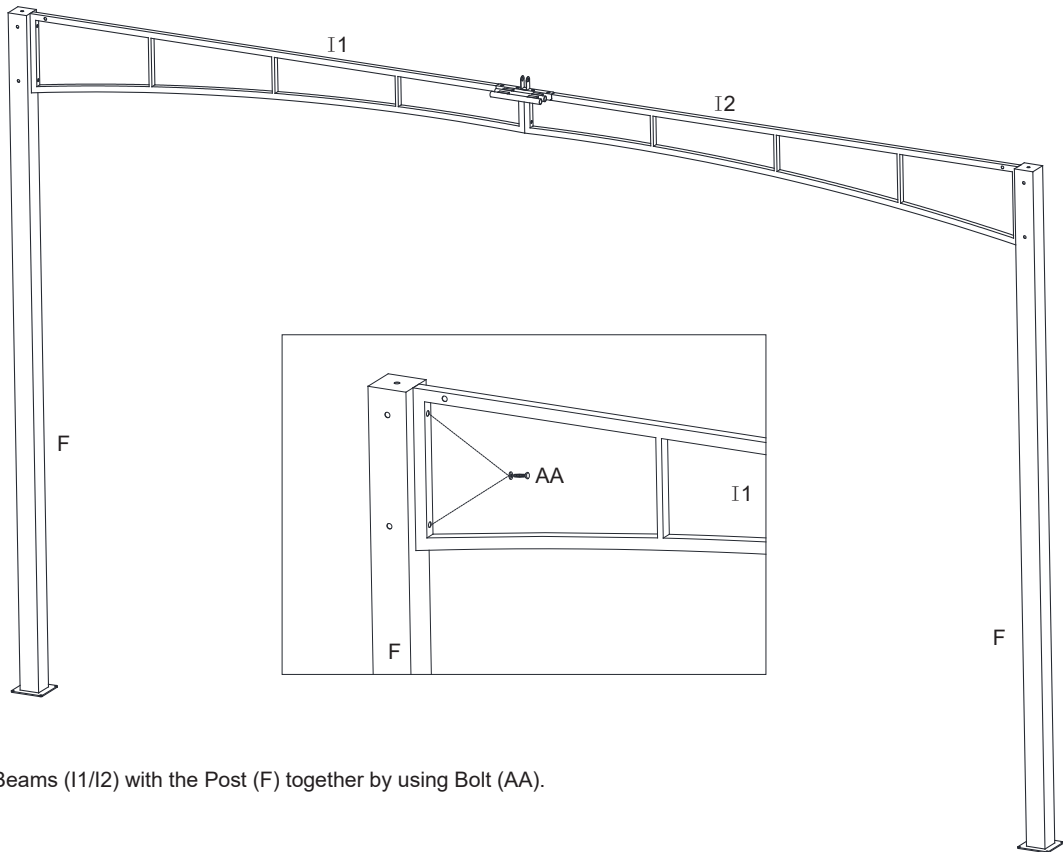
Step 2



2. Insert the Left Short Beam (J1) into the Right Short Beam (J2), then fasten the T-shape Connector (H) and Beams (J1/J2) together by using Bolt (DD).

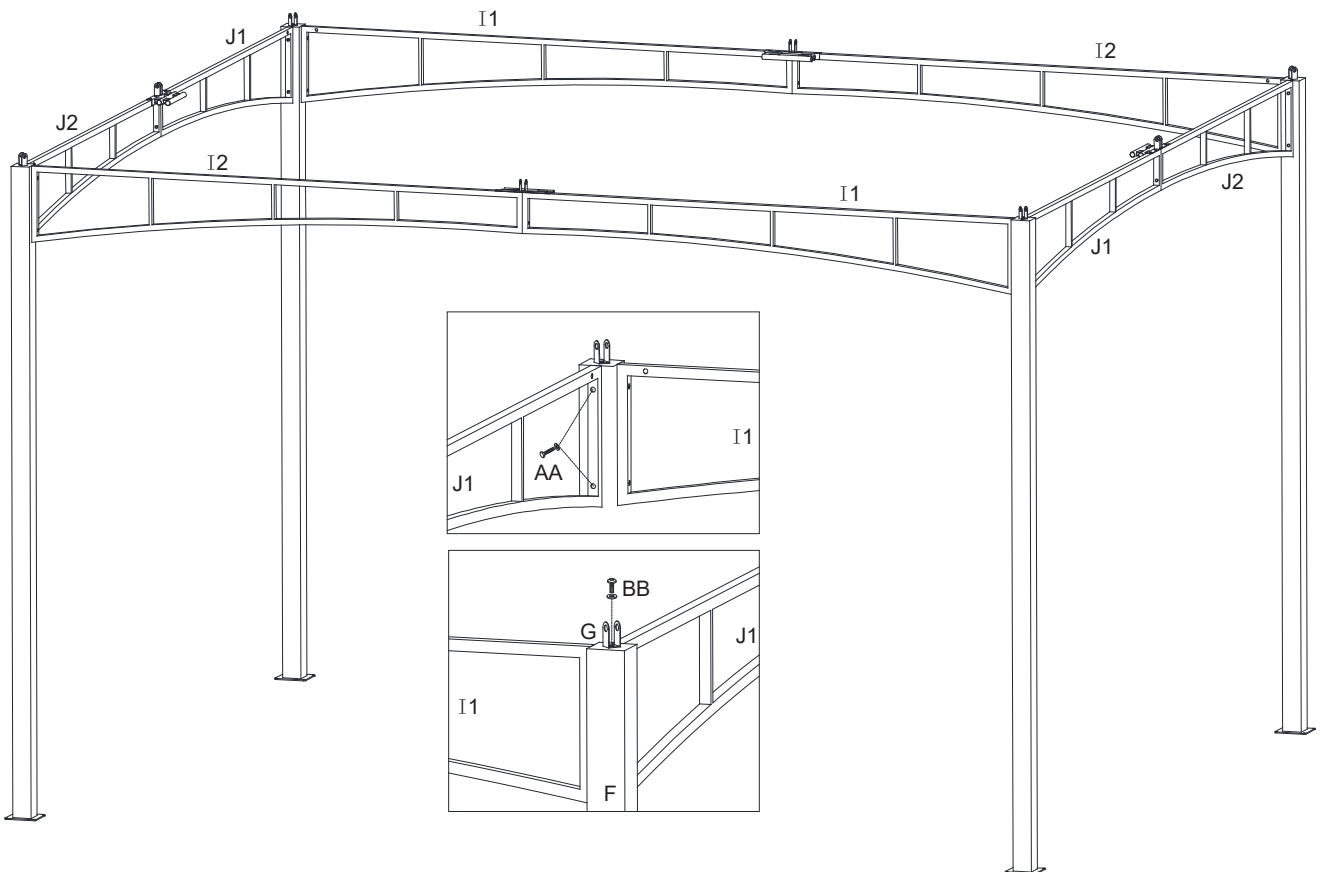
Assembly Instructions

Step 3



3. Fix the Beams (I1/I2) with the Post (F) together by using Bolt (AA).

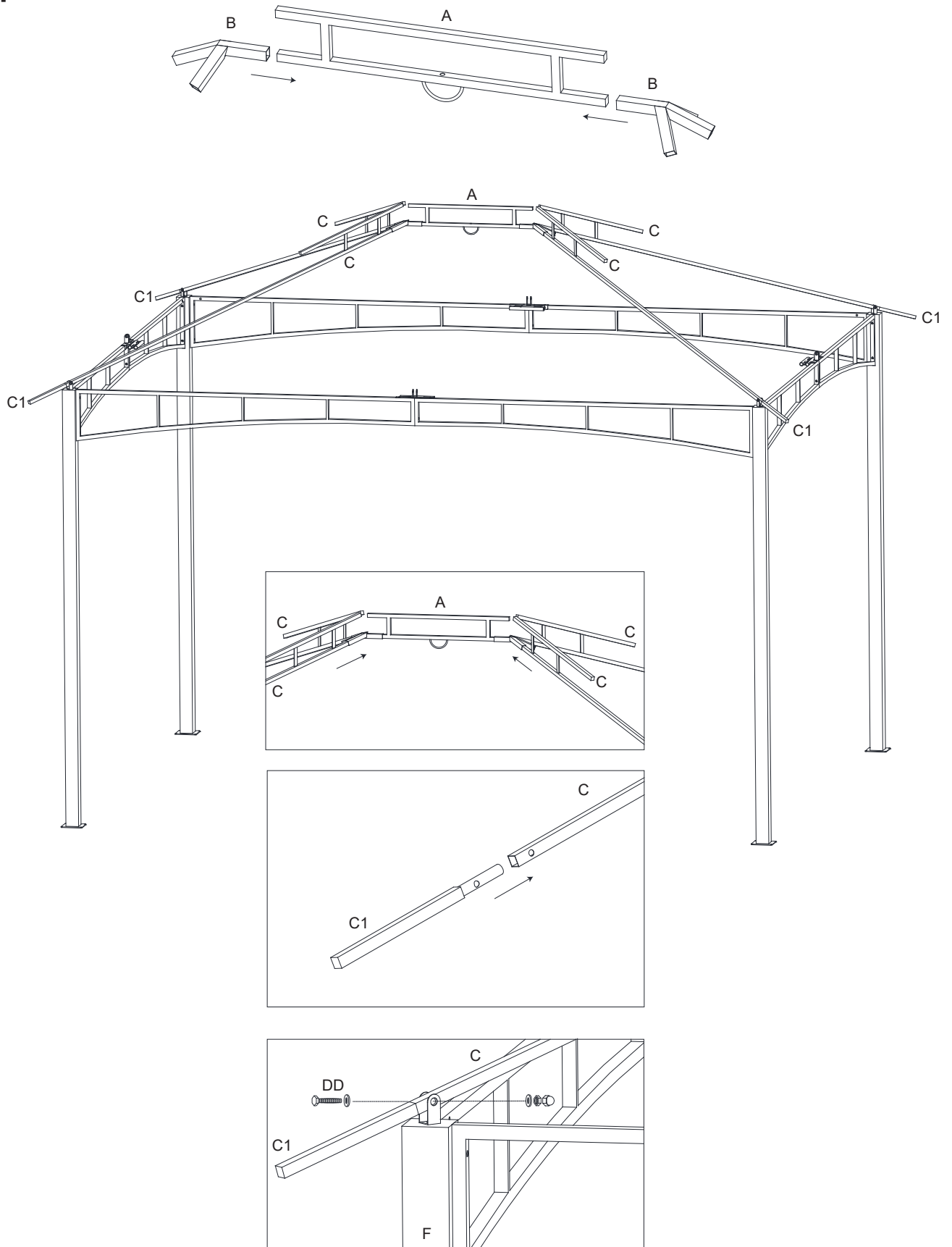
Step 4



4. Fix the BeamS (J1/J2) onto the Post (F) with Bolt (AA), then fix the U-shape Connector (G) onto the Post (F) with Bolt (BB).

Assembly Instructions

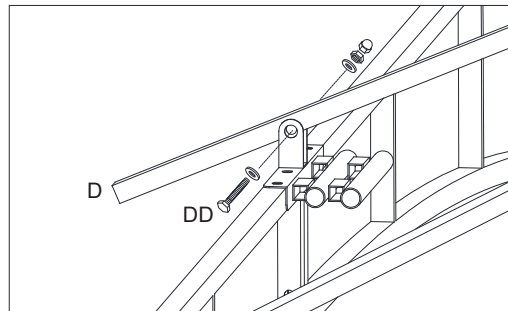
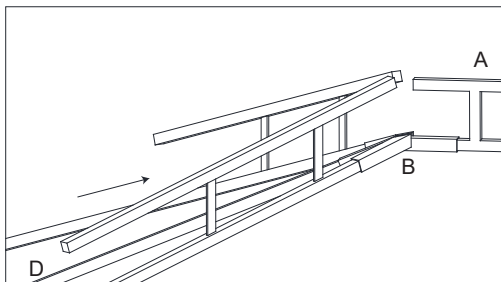
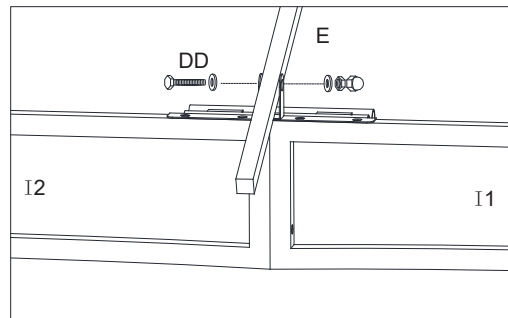
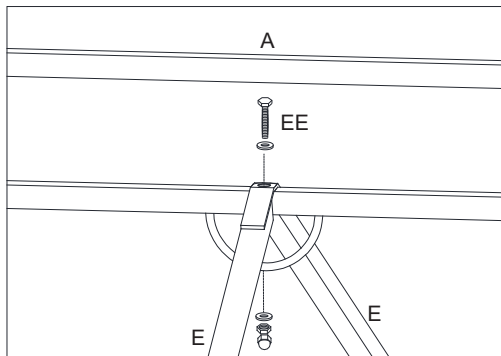
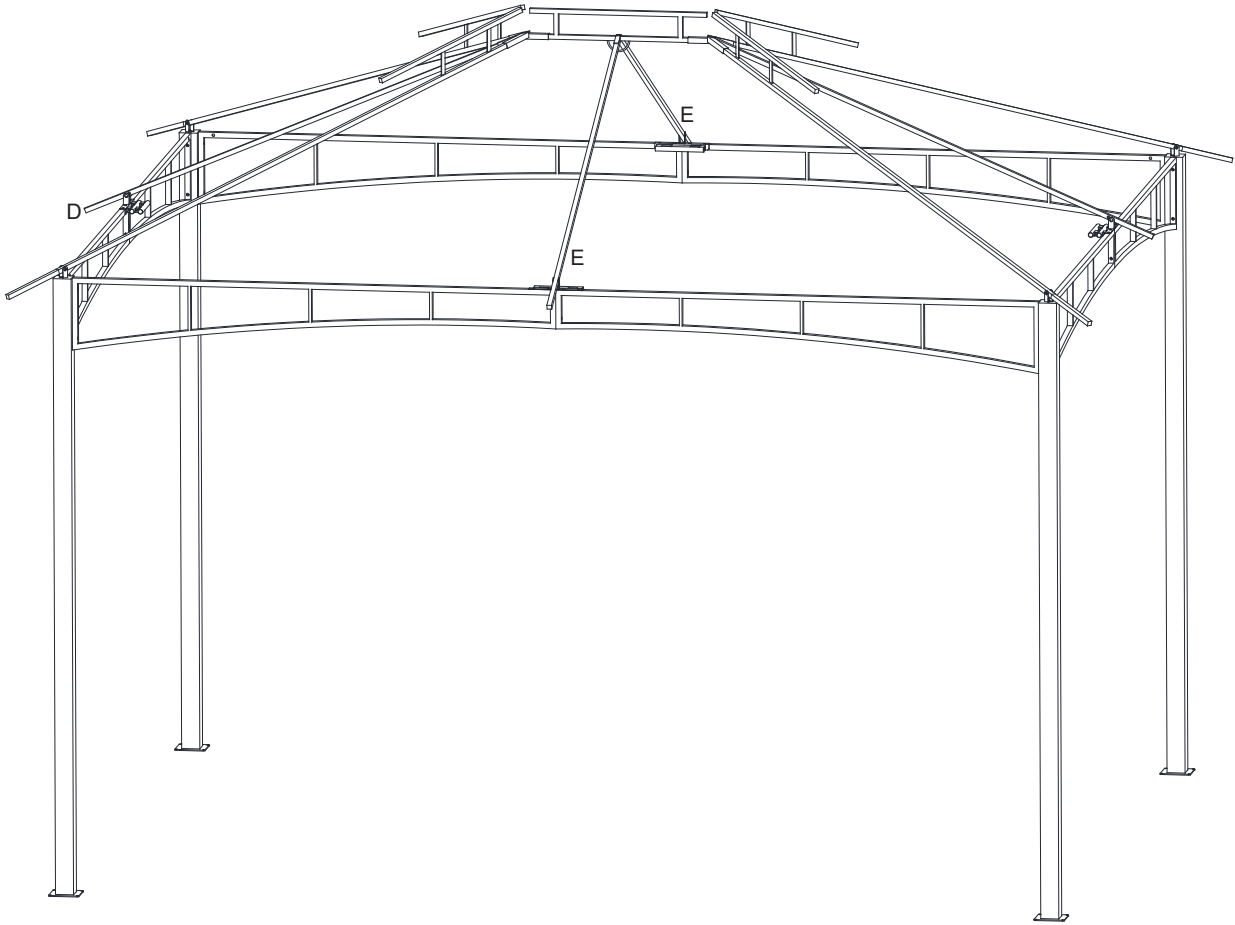
Step 5



5. Insert the Center Device (B) onto the Center brace (A), and insert the Diagonal Bracing Tube (C) into the Center Device (B), then insert the Top Bracing Stern Tube (C1) into the Diagonal Bracing Tube (C), and fix it with the U-shape Connector by using the Bolt (DD).

Assembly Instructions

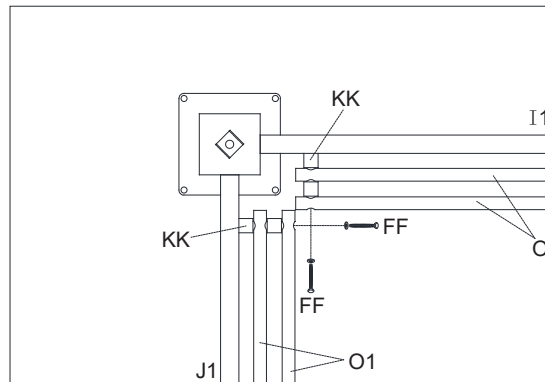
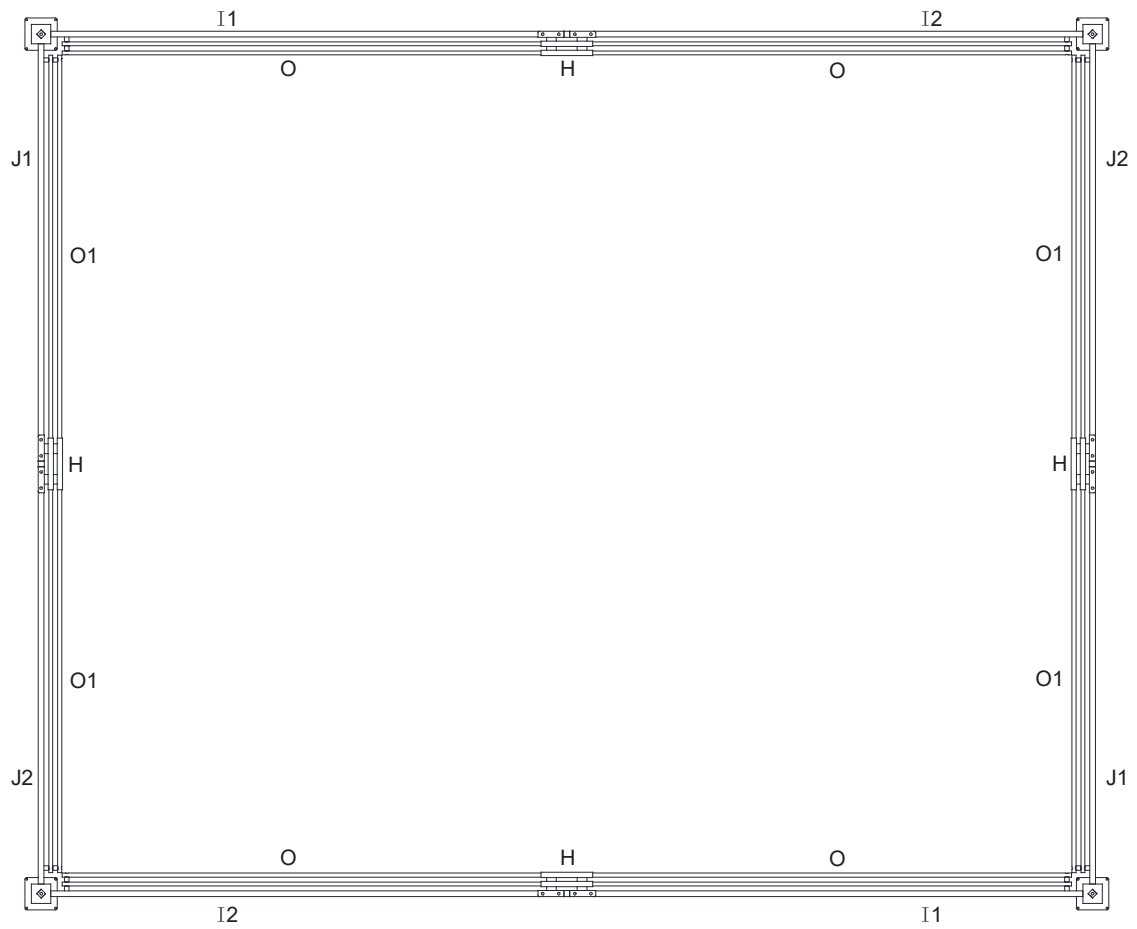
Step 6



6. Fix the Top Bracing Tube (E) with the Center brace (A) by using Bolt (EE), and fix the Top Bracing Tube (E) with the T-shape Connector by using Bolt (DD), insert the Top Bracing Middle Tube (D) into the Center Device (B), then fix the Top Bracing Middle Tube (D) with the T-shape Connector by using Bolt (DD).

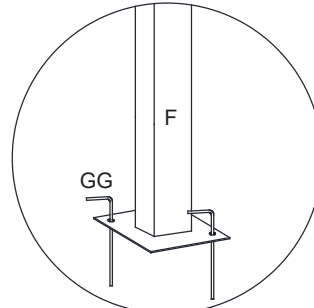
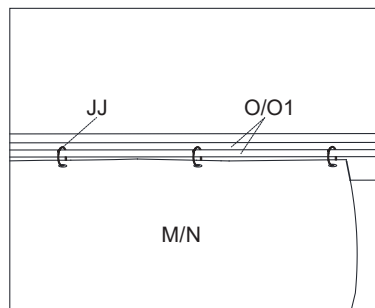
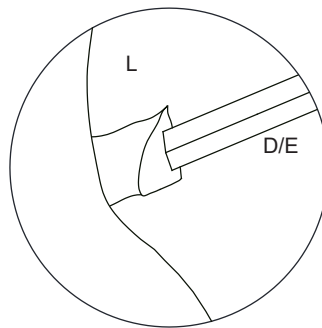
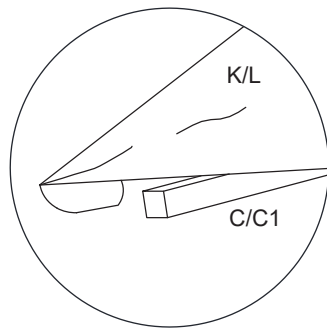
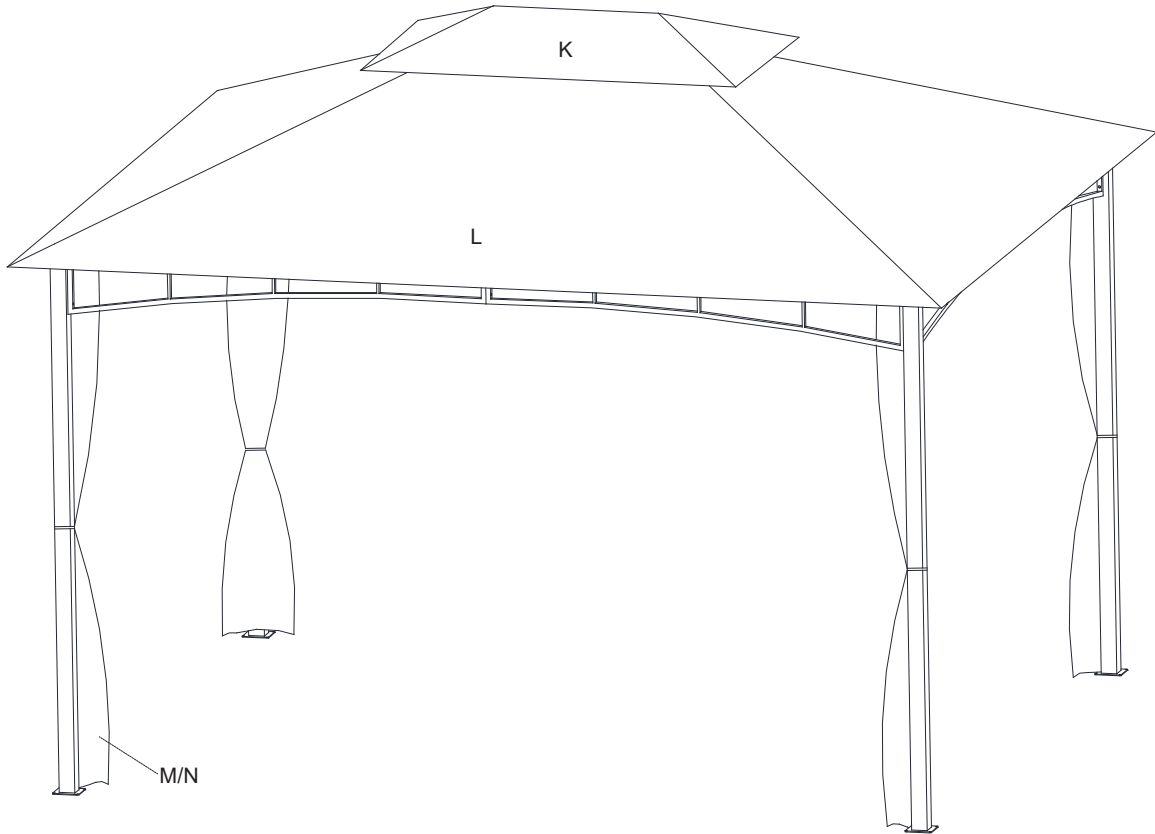
Assembly Instructions

Step 7



7. Insert one end of the Mosquito Net Tube (O/O1) into the T-shape Connector (H), then fix the Mosquito Net Tube (O/O1) and Cushion Block (KK) onto the beam by using the Bolt (FF).

Step 8



8. Cover the Canopy (K/L) on the top bracing tube as shown in the figure. Hang the Mosquito Net (M) and the Curtain (N) on the Net Tube (O/O1) with the hanger (JJ), then Insert the Post (F) into the ground with stake (GG).