

Assembly instructions for the chair, including safety warnings, a 15-minute time estimate, and a requirement for one person.

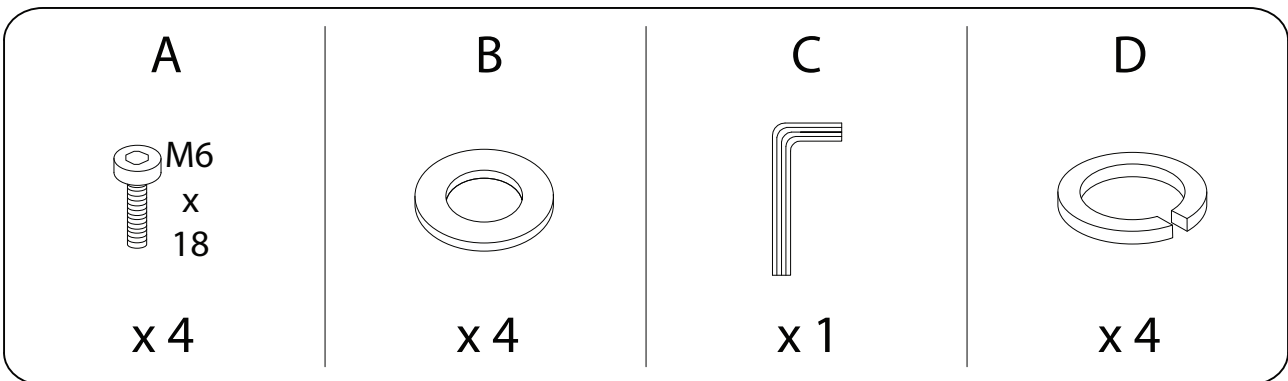
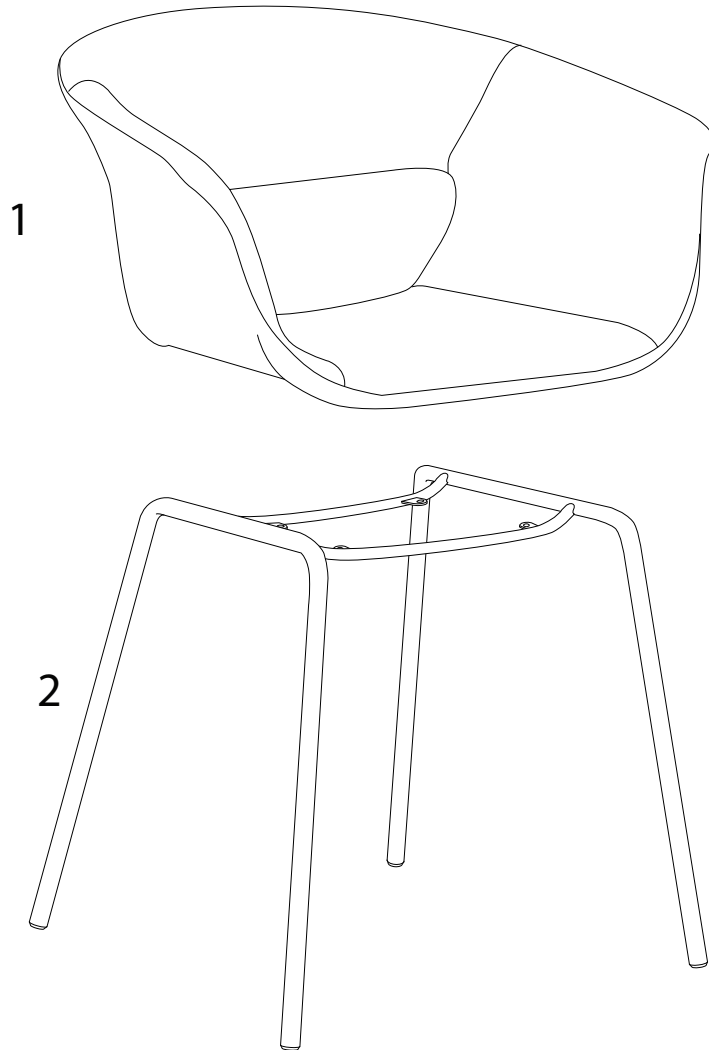
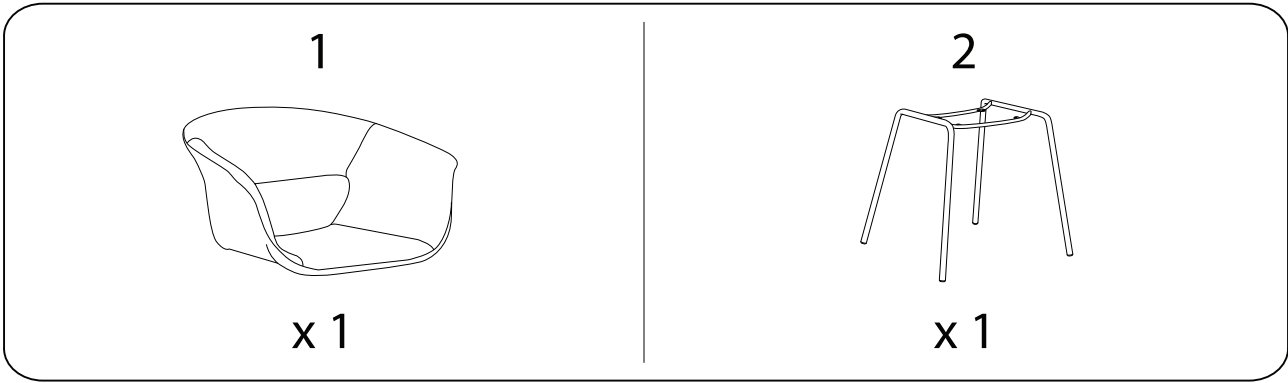
The instructions are organized into two rows, each with a warning icon (a triangle with an exclamation mark) on the right side.

Top Row:

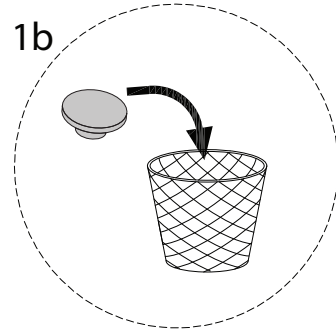
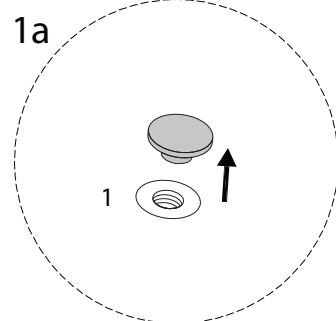
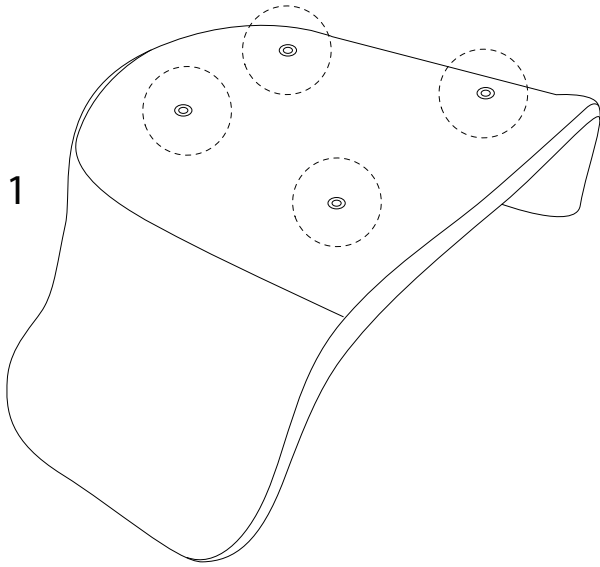
- Left: A circular icon containing an L-shaped metal bracket. To its right is a power drill with a diagonal line through it, indicating that a power drill should not be used.
- Right: A clock icon with the text "15'" below it, indicating an estimated assembly time of 15 minutes.

Bottom Row:

- Left: A circular icon containing a rectangular block being placed on a textured surface. To its right is a diagram of the block with a diagonal line through it, indicating that the block should not be placed on a soft or uneven surface.
- Right: A stick figure icon with the number "1" below it, indicating that one person is required for assembly.



!



1

