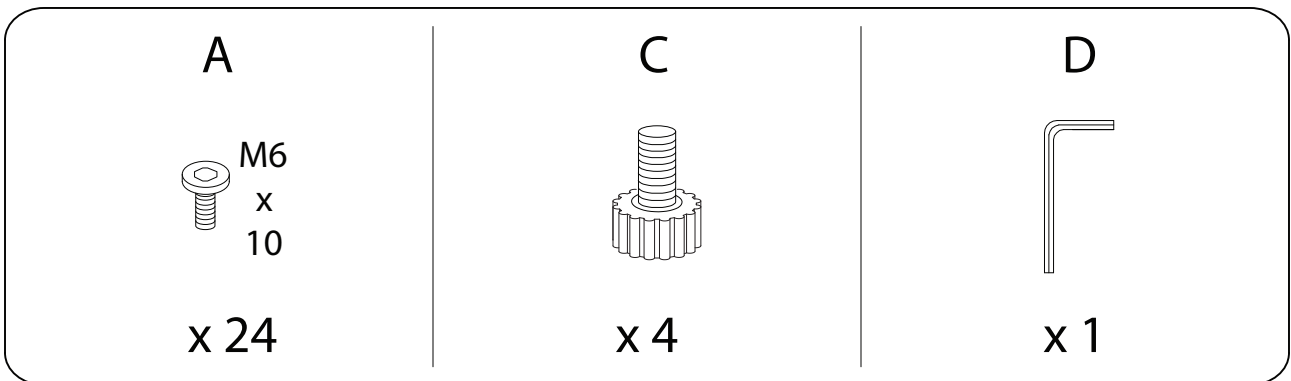
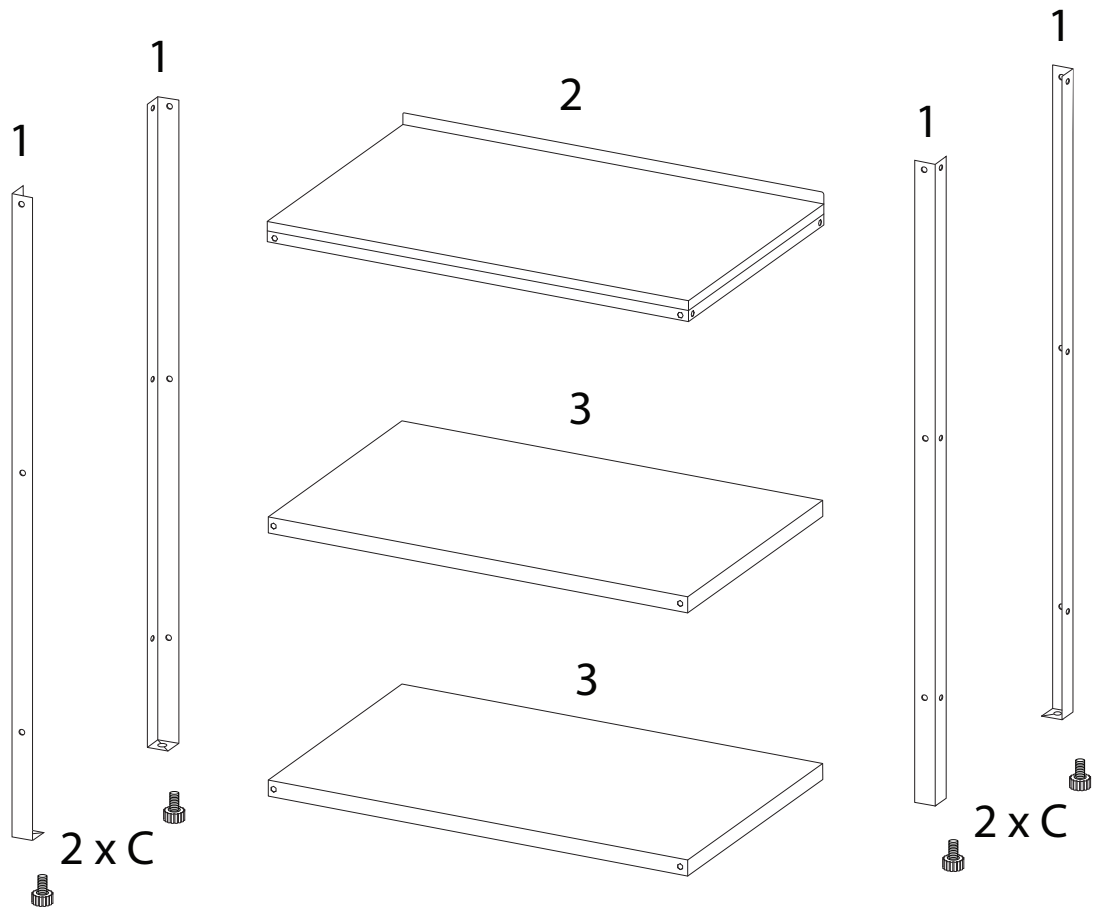
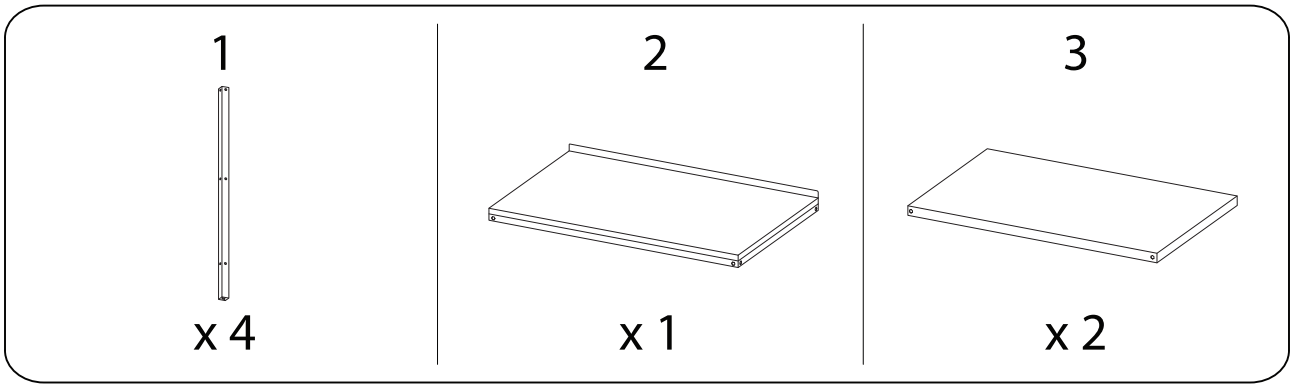
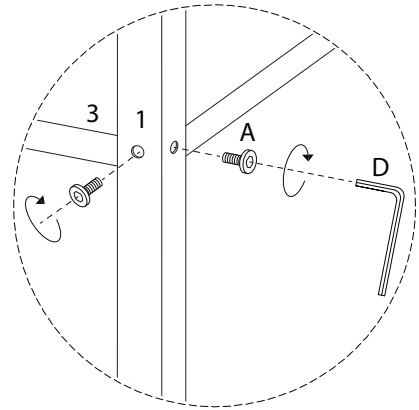
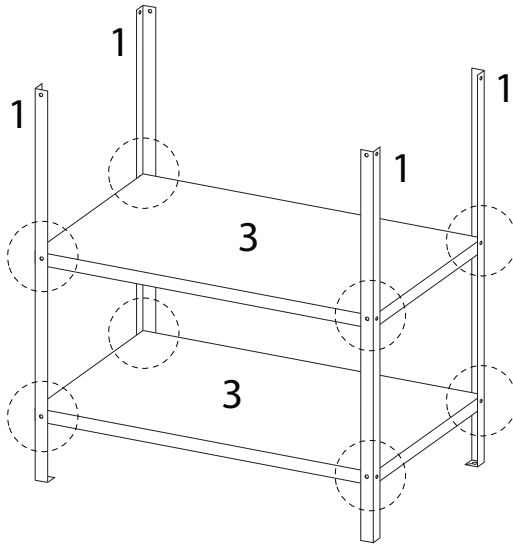
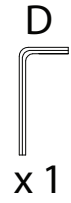
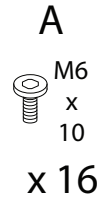
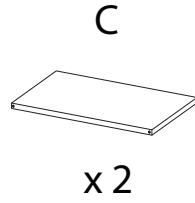


Diagram illustrating assembly instructions and safety warnings:

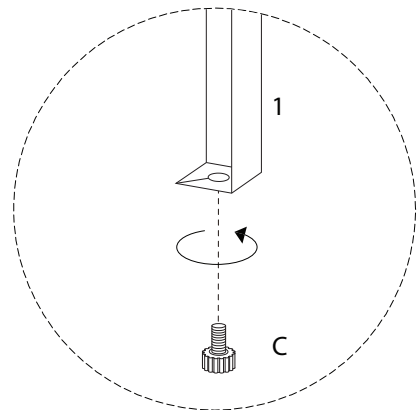
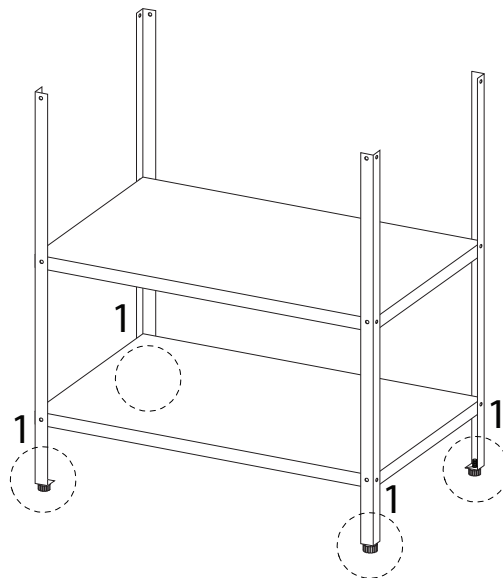
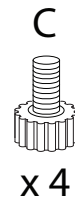
- Top Section:** Shows an Allen key and a power drill with a diagonal line through it, indicating that a power drill should not be used. A warning triangle with an exclamation mark is positioned to the right. Below this is a clock icon with the text **30'**, indicating a 30-minute assembly time.
- Bottom Section:** Shows a rectangular block being placed on a surface with a diagonal line through it, indicating that the unit should not be placed on an uneven or soft surface. A warning triangle with an exclamation mark is positioned to the right. Below this is a person icon with the text **2**, indicating that two people are required for assembly.



1



2



3

