

OUTDOOR LOUVERED PERGOLA

INSTRUCTION MANUAL

edition.25



Model: 8820LBL-2, 8840LBLGR-3, 8850XLBLGR



Rev. 04

THANK YOU FOR PURCHASING THIS PERGOLA!

IMPORTANT

The whole pergola is shipped in several boxes, please wait patiently before you receive all of them.

If you have any problems with damaged or missing accessories after receiving it, please contact us in time through shopping email and provide the necessary photos, our team will help you solve it.

Please read the entire manual carefully before installing and using your pergola, and please ensure the manual is kept in a safe place for future reference.

This pergola is suitable for outdoor use, and is primarily intended to protect users from direct sunlight, glare and heat.

Any use or modification to the pergola not included in this manual shall be considered as improper use, which may cause considerable danger to users and property and will void the product warranty.

INDEX

Before Assembling The Pergola	5
Safety Advice	7
List of Parts	10
Set up the pillars	18
Connect beams	19
Connect beams to pillars	27
Secure pillars to the ground	38
Install middle beams	41
Install covers and ring caps	43
Install drivers and louvers	46
Curtains and nettings	55
General care & maintenance	59

BEFORE ASSEMBLING THE PERGOLA

Please read all the instructions carefully before you begin, and follow the steps in the order they are presented.

The installation of a pergola must be done with care due to its constraints and requires a certain level of skills :

- Measurement and leveling of supports and structure.
- Floor drilling Installation of chemical sealing or suitable fixation.
- Work at height and handling heavy loads.

Make sure you have all the tools required for assembling your pergola. In order to assemble your pergola safely and correctly, please ensure you have access to the following tools and accessories, all of which are not provided.



Working gloves
and safety hats



Ladder x2
> 1.5m



Tape measure
> 3m



Leveler



Screwdriver



Cordless
screwdriver



Wrench set



Hammer



Hammer drill



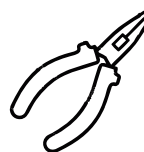
Drill bit
Φ12



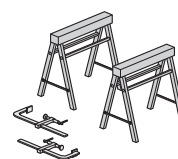
Glue gun



Pencil / Marker



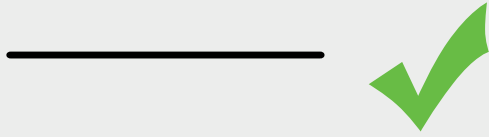
Plier



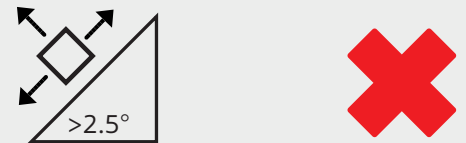
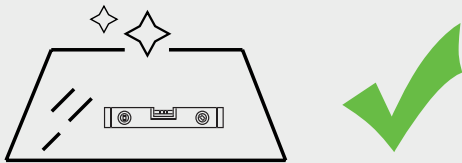
Stands and clamps

Select a suitable location:

The ground should be solid and flat



The ground should be level



Sufficient water drainage



No overhanging trees and powerlines



Warning:

Most terraces or patios are designed with a slight slope to prevent (rain) water from forming pools or reaching the house or other structures. For the perfect pergola installation, a level surface without such a slope is required. Small pebbles could also prevent the pergola from being safely secured on the ground.

If the pergola is installed on an uneven surface, it may prevent accessory components from working correctly and may void the product warranty.

Additional adjustment of the pillar heights would also be necessary.

Prepare a foundation:

To prepare it, you need to:

- check for underground pipes and cables (Call 811 before you dig if you live in the USA)
- check with your local authorities regarding any building permits that may be required
- contact a reliable contractor if you decide to have a concrete base




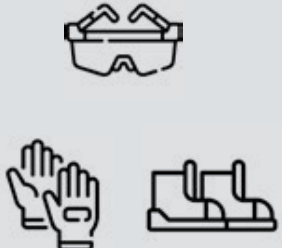
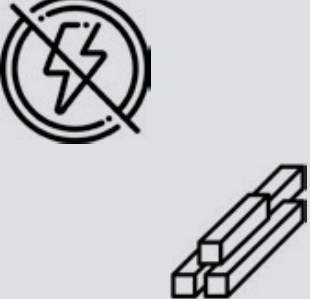





IMPORTANT SAFETY ADVICE





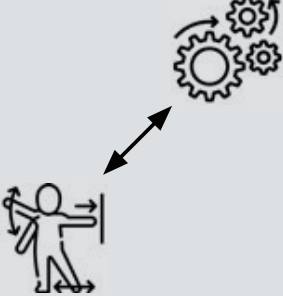
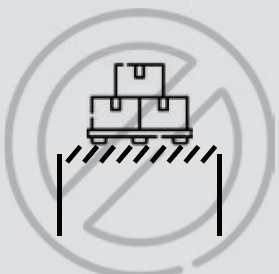



CAUTIONS

1. 3-6 adults or more are recommended to install your pergola (one of steps need at least 3 people to move whole pergola frame). Make sure you are wearing closed toe shoes and installing in a safe environment.
2. DO NOT attempt to assemble or use the pergola in moderate or heavy wind conditions. Always keep the pergola open and secure it during heavy winds or extreme weather conditions to avoid damage to the pergola or personal injury.
3. It is essential to place the pergola on level ground and not less than 6 feet from any obstruction such as fences, pergolas, the house, overhanging branches, laundry lines, or electrical wires.
4. For the convenience to adjust parts connection, never fully tighten the screws until you finish the installation, tighten screws to 80%-90% is enough. (Using the electric drill at a lower rotating speed to avoid damaging the product and screws.)
5. Do not install the pergola when you find damage parts are that parts are missing. Contact your dealer.

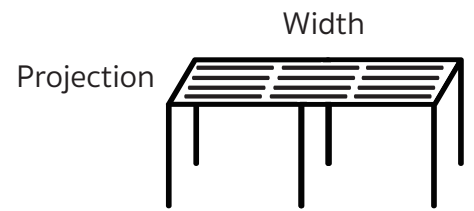
WARNINGS

1. NEVER leave children unattended around/under this pergola before it finish assembly.
2. CHOKER HAZARD: This item contains small parts which can be swallowed by children. please keep it away from children under 3 years old and pets during installation.
3. DO NOT allow snow to accumulate on the louver roof. In the case of high winds, heavy snow or other extreme weather conditions, open the louvers and remove manual crank or other unnecessary accessories to avoid potential damage to your pergola.
4. This structure is a non-permanent structure and the warranty does not cover damage incurred under extreme weather conditions including heavy rain, high winds, natural disasters or if exposed to high heat from heaters or BBQs. Warranty does not cover products subject to negligence, abuse usage, inappropriate installation. Damage from exposure to chemicals (including but not only oils ,spills, fluids) won't be covered by warranty.
5. Some parts have sharp edges/corners. Please follow basic safety precautions to reduce the risk of hurts.

<p>The pergola must be positioned and fixed on flat level surface.</p>	<p>Dispose of all plastic bags safely. Keep them out of the reach of children.</p>	<p>Keep children and pets away from the assembly area until the work is completed.</p>	<p>Always wear appropriate work shoes, gloves and eye protection when working.</p>
			
<p>Work well away from power lines, particularly when handling metal parts.</p>	<p>Do not attempt to assemble the pergola in windy or wet conditions.</p>	<p>If using power tools or a ladder, always follow the manufacturer's safety instructions.</p>	<p>Hot items such as recently used grills, blowtorches etc. must not be stored under or close to the pergola.</p>
			
<p>Make sure the pergola complies with local building regulatory codes.</p>	<p>Working at heights can be dangerous. Always wear protective clothing to prevent injury in the event of a fall.</p>		
			


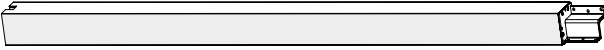
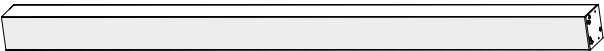


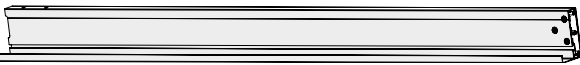
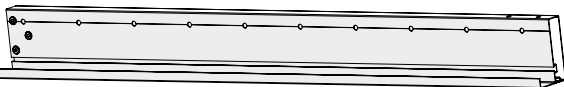
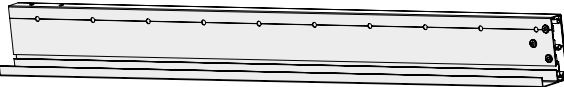
<p>Only use ladders and scaffolding with a sufficiently high load bearing capacity</p>	<p>Dispose of all plastic bags safely. Keep them out of the reach of children.</p>	<p>Prior to each operation, visually check the pergola for damage. If damage is visible, stop using it immediately and contact authorized personnel to repair the damage</p>	<p>Do not touch moving parts during operation.</p>
			
<p>Keep clothing and body parts away from the pergola to prevent them from getting caught in the moving parts .</p>	<p>Do not place anything on the louvers</p>	<p>Hanging objects on the pergola may cause serious damage and is not permitted.</p>	<p>Foliage or other foreign objects on the louvers and in the guide rails should be removed regularly, to prevent damage to the pergola</p>
			
<p>Put the louvers into the vertical position during snowfall or wind to avoid damage.</p>			
			

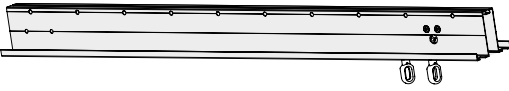
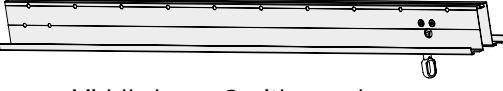

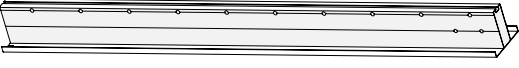
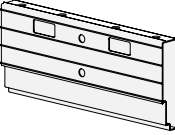
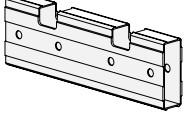

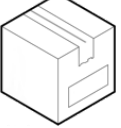
LIST OF PARTS









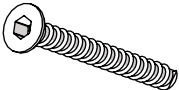
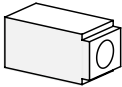


Please carefully check that the quantity of parts matches with that of the model you have purchased.

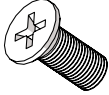
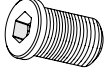

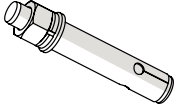
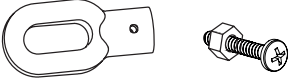

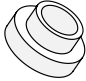

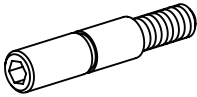

PLEASE NOTE that the anchor bolts provided may not be suitable for your chosen installation location.

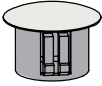

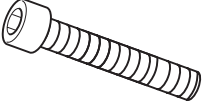


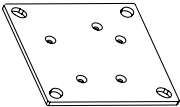
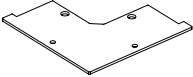
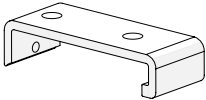
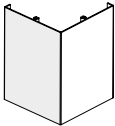
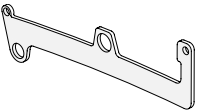
Ref	Box	Projection	
		10ft. / 3m	12ft. / 3.65m
L  Louver	A/B/C	60 pcs	75 pcs
A  Corner pillar	D	4 pcs	4 pcs
A2  Middle pillar	D	2 pcs	2 pcs
B  End beam 1	F	2 pcs	2 pcs
B2  End beam 2	F	2 pcs	2 pcs
C  End beam 3	F	2 pcs	2 pcs
D  Side beam 1	E	2 pcs	2 pcs
E  Side beam 2	E	2 pcs	2 pcs

Ref	Box	Projection	
		10ft. / 3m	12ft. / 3.65m
F	E	1 pc	1 pc
 <p>Middle beam 1 with gear boxes</p>			
F2	E	1 pc	1 pc
 <p>Middle beam 2 with gear boxes</p>			
G	E	1 pc	1 pc
 <p>Middle beam 3</p>			
G2	E	1 pc	1 pc
 <p>Middle beam 4</p>			
H	E	6 pcs	6 pcs
 <p>End beam and Side beam connector</p>			
I	E	2 pcs	2 pcs
 <p>Middle beam connector</p>			
J1	E	2 pcs	2 pcs
J2		1 pc	1 pc
J3		3 pcs	3 pcs
 <p>Crank</p>			
K	E	2 pcs	2 pcs
 <p>Spare parts box</p>			
	/	1 pc in BOX E	1 pc in BOX G




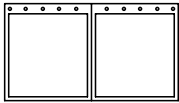
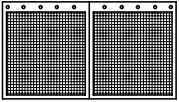
In spare parts box you can find:

	Ref	Box	Projection	
			10ft. / 3m	12ft. / 3.65m
1	 Screw ST 5x30	spare parts box	30 pcs	30 pcs
2	 Screw ST 5x25	spare parts box	4 pcs	4 pcs
2A	 Screw ST 4.2x12	spare parts box	8 pcs	8 pcs
4	 Screw ST 3.9x20	spare parts box	240 pcs	300 pcs
5	 Screw M8x12	spare parts box	40 pcs	40 pcs
6	 Screw M8x18	spare parts box	8 pcs	8 pcs
7	 Screw M6x35	spare parts box	3 pcs	3 pcs
8	 Drive shaft	spare parts box	3 pcs	3 pcs
9	 Screw M6x12 (Adhesive Dispensing)	spare parts box	60 pcs	75 pcs
10	 Screw M6x12	spare parts box	8 pcs	8 pcs

Ref	Box	Projection	
		10ft. / 3m	12ft. / 3.65m
11  Screw M5x10	spare parts box	12 pcs	12 pcs
12  Screw M6x10	spare parts box	4 pcs	4 pcs
13  Washer M6	spare parts box	4 pcs	4 pcs
14  Anchor bolt M8x70	spare parts box	24 pcs	24 pcs
15  Ring cap set	spare parts box	3 pcs	3 pcs
16  Rubber grommet	spare parts box	12 pcs	12 pcs
17  Plastic washer	spare parts box	60 pcs	75 pcs
18  Circlip	spare parts box	60 pcs	75 pcs
19  Louver plug	spare parts box	120 pcs	150 pcs
20  Washer M8	spare parts box	64 pcs	64 pcs

Ref	Box	Projection		
		10ft. / 3m	12ft. / 3.65m	
21		spare parts box	4 pcs	4 pcs
	Hole plug			
22		spare parts box	3 pcs	3 pcs
	Connecting strip connector			
23		spare parts box	24 pcs	24 pcs
	Screw M8x30			
24		spare parts box	10 sets	10 sets
	Slot nut and screws			
25		spare parts box	1 set	1 set
	3mm / 4mm / 5mm / 6mm Hex bit			
M		Spare Parts Box	6 pcs	6 pcs
	Pillar plate			
N		Spare Parts Box	4 pcs	4 pcs
	Pillar cover			
O		Spare Parts Box	4 pcs	4 pcs
	Middle beam supporter			
P		Spare Parts Box	4 pcs	4 pcs
	Corner cover			
Q		Spare Parts Box	120 pcs	150 pcs
	Louver end cap			

* If you buy the pergola with curtain, you will get below additional accessories:

Ref	Box	Projection	
		10ft. / 3m	12ft. / 3.65m
3  Plastic hook	Spare Parts Box	120 pcs	128 pcs
R  Curtain track 1	F	4 pcs	4 pcs
R2  Curtain track 2	F	8 pcs	8 pcs
S1  Curtain	/	1 set in Box F	1 set in Box G
S2  Netting	/	1 set in Box F	1 set in Box G

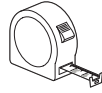
Please check before proceeding. Do not use an impact cordless screw driver to assemble the pergola. Use a standard cordless screw driver on the base setting. All holes have been predrilled or fitted for assembly.

If you encounter any issues, please send photos to our customer service team and provide the part numbers and quantities affected. We will respond within 24 hours to assist you and resolve the issue as quickly as possible.

PREPARATION

Drill holes at supporting surface

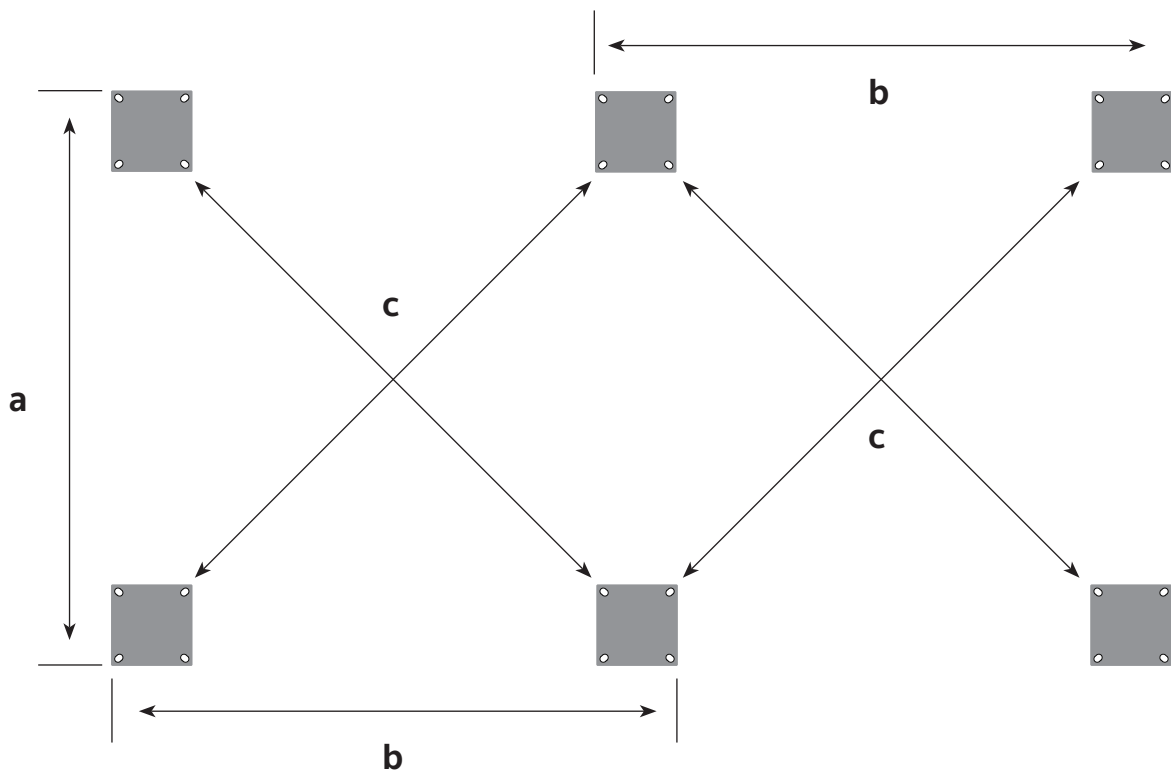
TOOLS TO BE USED:



Drill bit $\Phi 12$



Refer to the diagram and measurement dimensions below to mark and drill the holes. You may choose to skip this step, as it will be completed in Step 5. However, doing so will require at least **6 people** or **4 clamps** for **Step 4 and Step 5**.



20'x10':

a = 117.72 in (2990mm), b = 119.19 in (3027.5mm), c = 150.82 in (3830.84mm)

20'x12':

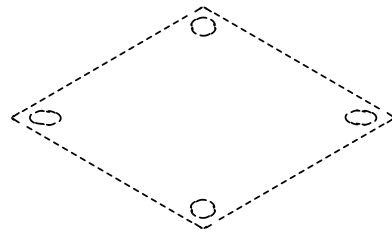
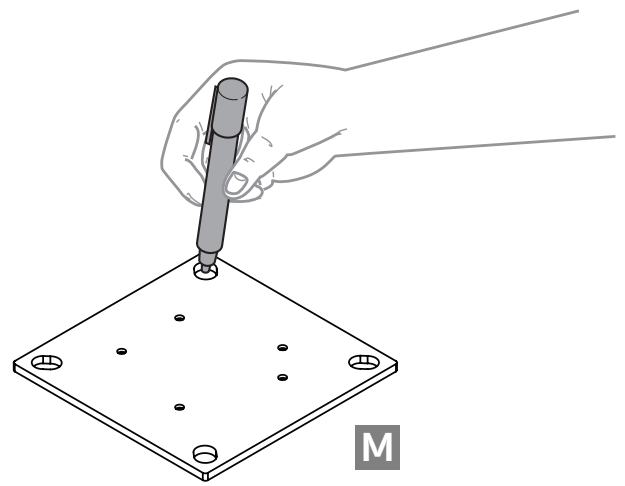
a = 145.37 in (3692.5mm), b = 119.19 in (3027.5mm), c = 171.38 in (4352.97mm)



PAY EXTREME CAUTION IN POSITIONING AND ALIGNING

The STRUCTURE:

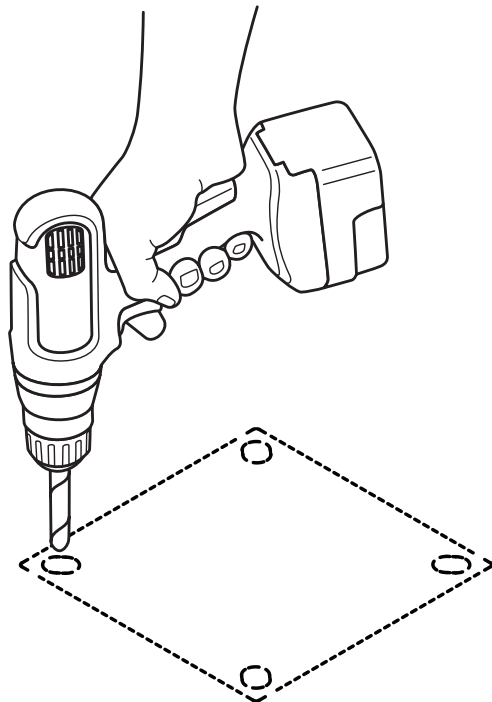
Before tracing the reference marks, check the distances by measuring in order: projection (a), width (b) and the 2 diagonals (C).



x6

NOTE:

The tolerance limit must correspond to maximum 0.394 in (10 mm).



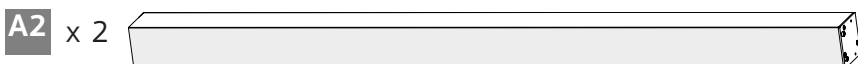
x6

INSTALLATION

Model: 8820LBL, 8840LBLGR, 8850XLBLGR

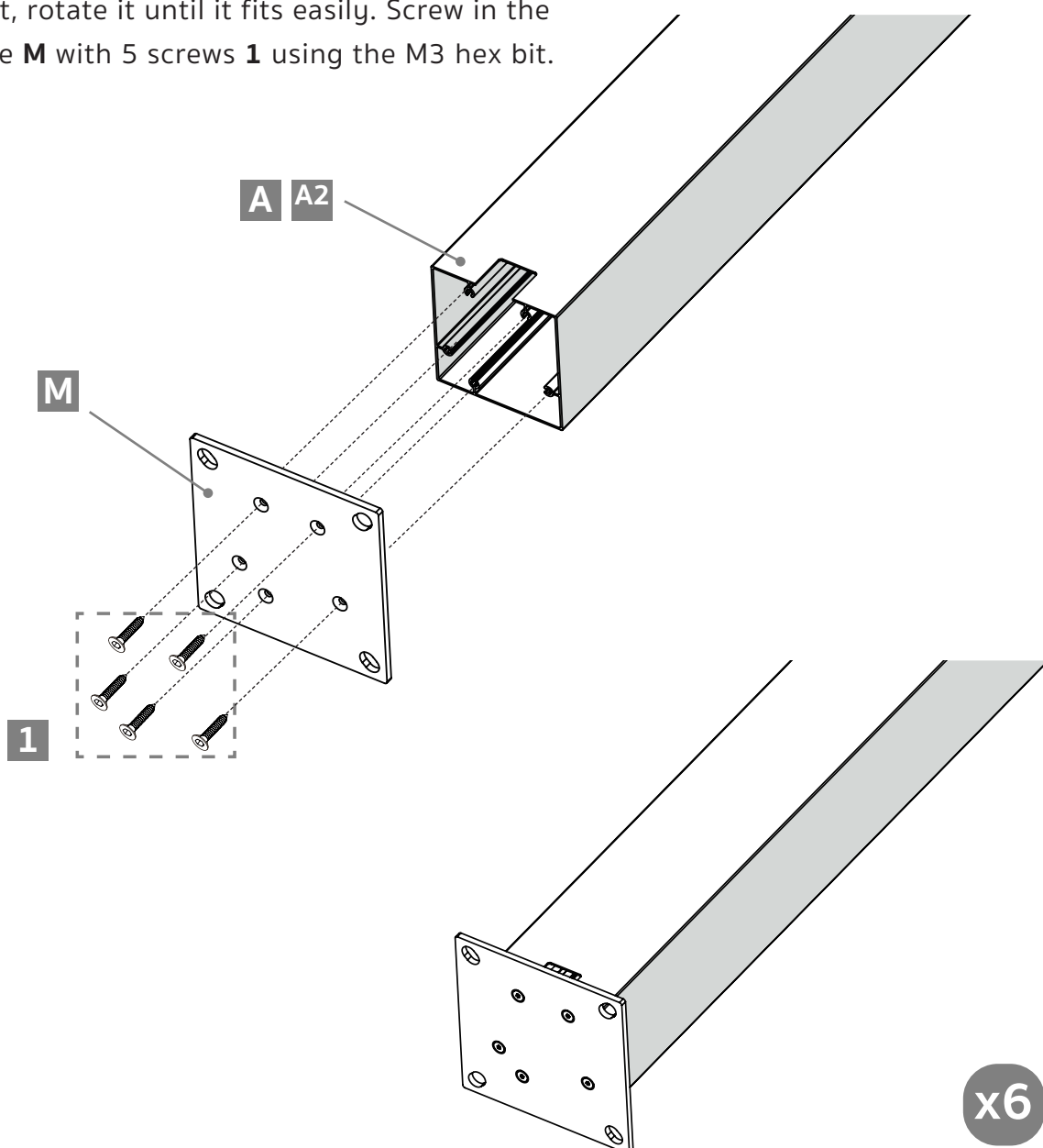
01 Set up the pillars

PARTS TO BE USED:



Push the pillar plate **M** against the straight end of the corner pillar **A** and middle pillar **A2**.

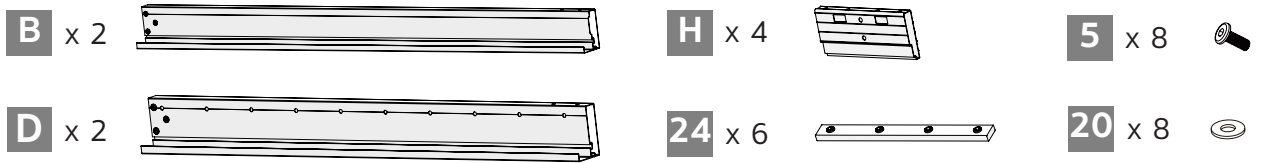
If in doubt, rotate it until it fits easily. Screw in the pillar plate **M** with 5 screws **1** using the M3 hex bit.



Connect end beams, side beams and middle beams

02

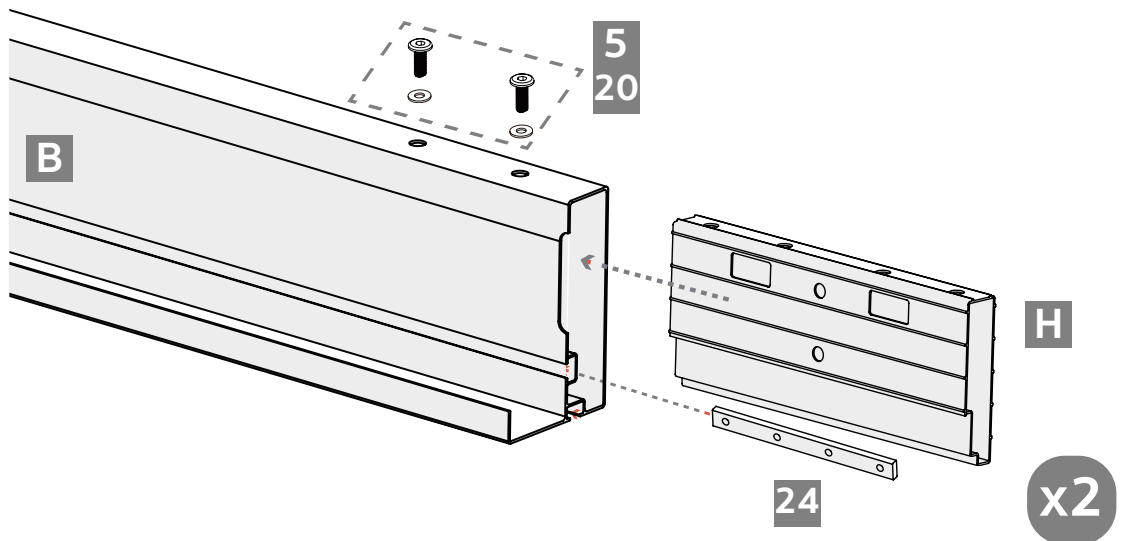
PARTS TO BE USED:



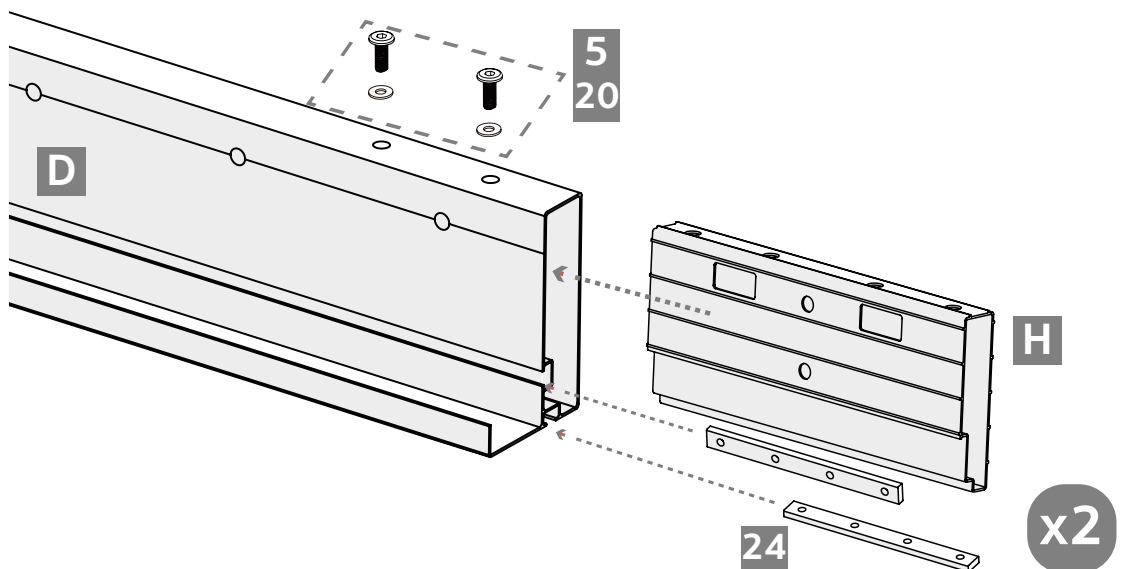
2a



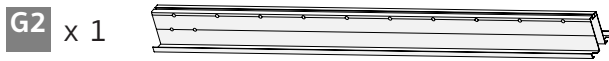
Slot the end beam connector **H** into the end beam **B**, screw in the 2 screws **5** and washers **20** using the M5 hex bit, loosely tighten the screws to allow for adjustment in next steps. Slide the nut strip **24** into the track of end beam B.



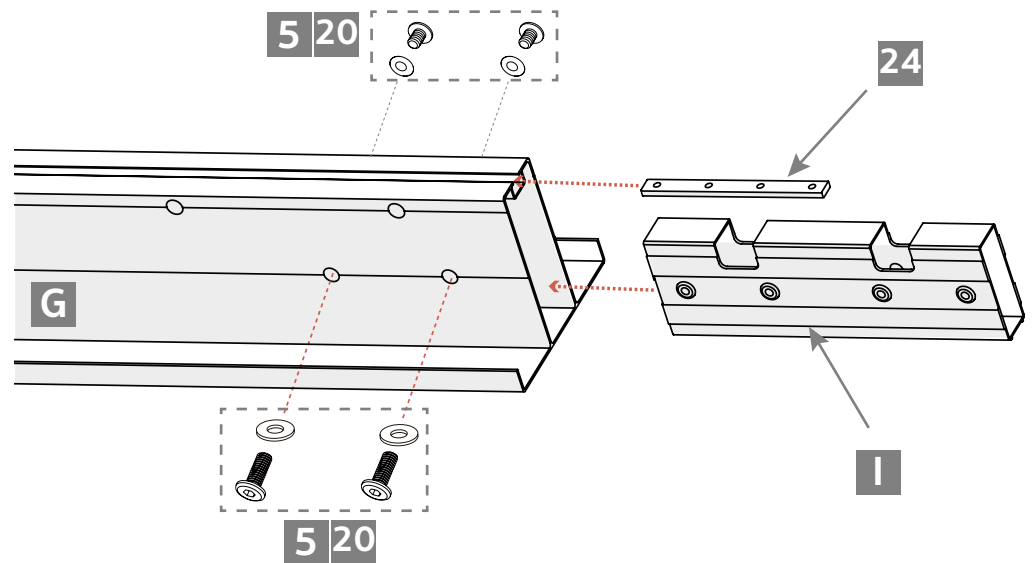
Slot the side beam connector **H** into the side beam **D**, screw in the 2 screws **5** and washers **20** using the M5 hex bit, loosely tighten the screws to allow for adjustment in next steps. Slide the nut strip **24** into the track of side beam D.



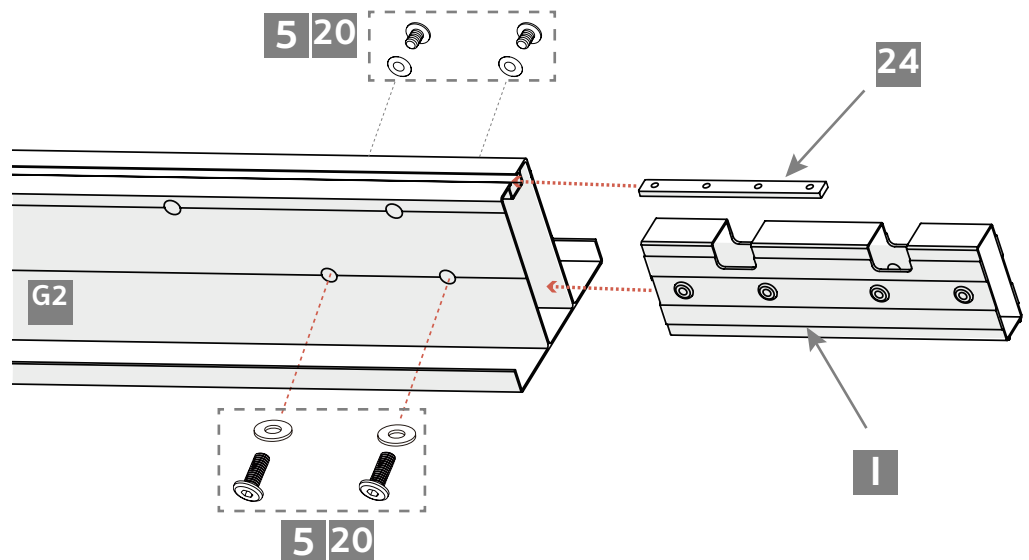
PARTS TO BE USED:



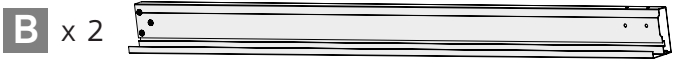
Slot the middle connector **I** into the middle beam **G**, screw in the 4 screws **5** and washers **20** using the M5 hex bit, loosely tighten the screws to allow for adjustment in next steps. Slide the nut strip **24** into the track of middle beam **G**.



Slot the middle connector **I** into the middle beam **G2**, screw in the 4 screws **5** and washers **20** using the M5 hex bit, loosely tighten the screws to allow for adjustment in next steps. Slide the nut strip **24** into the track of middle beam **G2**.



PARTS TO BE USED:

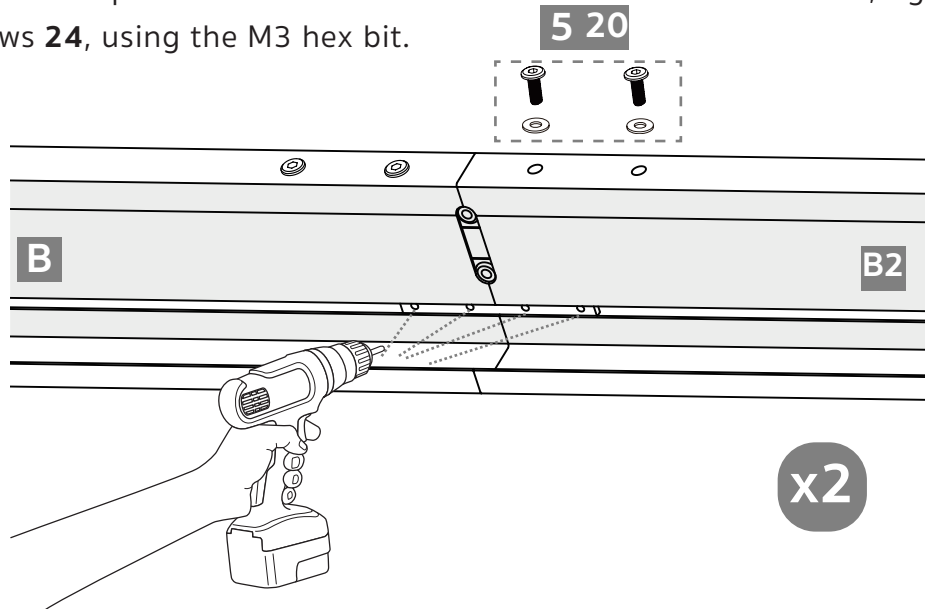


2b

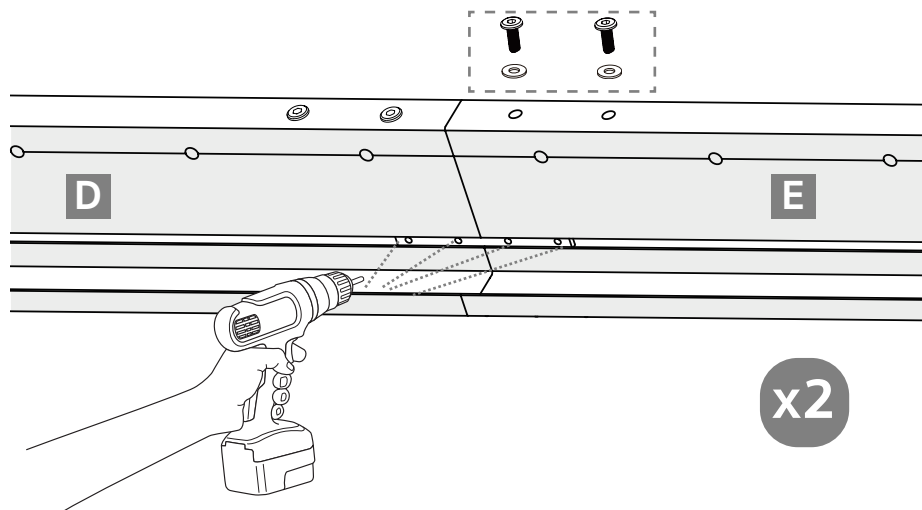


Slot the end beam **B** into the end beam **B2** until the end section of end beam B has been fully inserted and is no longer visible, screw in the 2 screws **5** and washers **20** using the M5 hex bit.

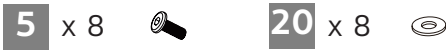
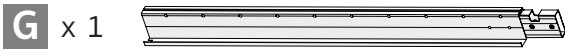
Slide the 2 nut strip **24** to the middle of end beam B and end beam B2, tighten nut strip with 8 screws **24**, using the M3 hex bit.




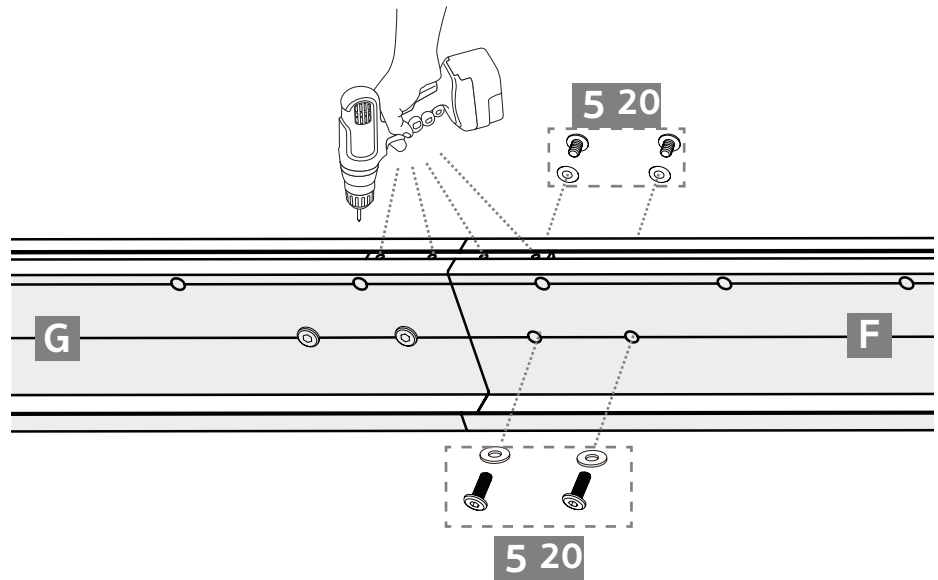
Slot the side beam **D** into the side beam **E** until the end section of side beam D has been fully inserted and is no longer visible, screw in the 2 screws **5** and washers **20** using the M5 hex bit. Slide the 2 nut strip **24** to the middle of side beam D and side beam E, tighten nut strip with 8 screws **24**, using the M3 hex bit.




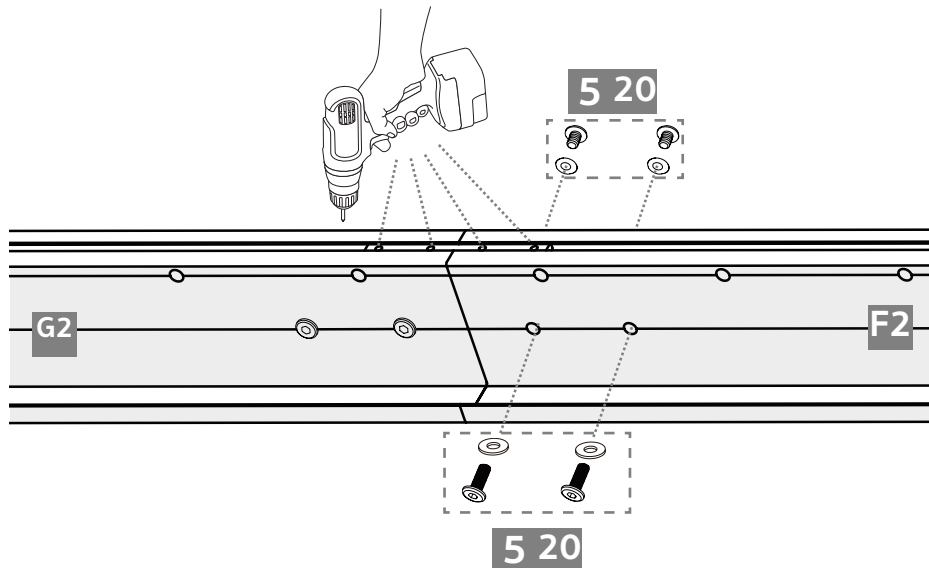
PARTS TO BE USED:



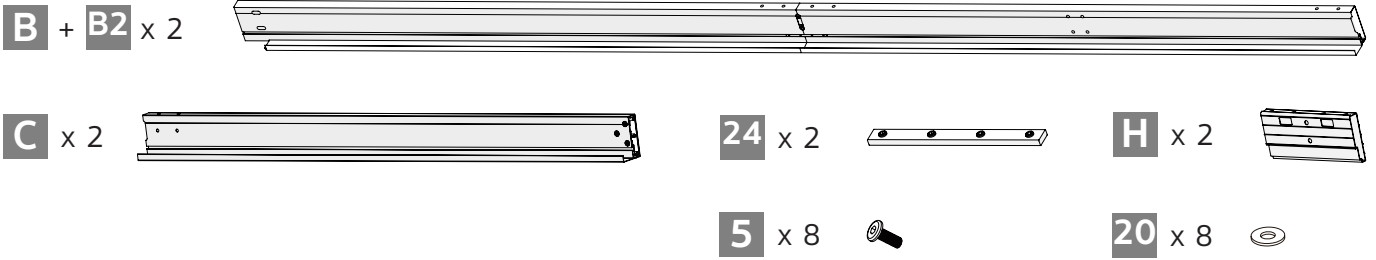
 Slot the middle beam **G** into the middle beam **F** until the end section of end beam **G** has been fully inserted and is no longer visible, screw in the 4 screws **5** and washers **20** using the M5 hex bit. Slide the nut strip **24** to the middle of middle beam **G** and middle beam **F**, tighten nut strip with 8 screws **24**, using the M3 hex bit.



 Slot the middle beam **G2** into the middle beam **F2** until the end section of end beam **G2** has been fully inserted and is no longer visible, screw in the 4 screws **5** and washers **20** using the M5 hex bit. Slide the nut strip **24** to the middle of middle beam **G2** and middle beam **F2**, tighten nut strip with 8 screws **24**, using the M3 hex bit.



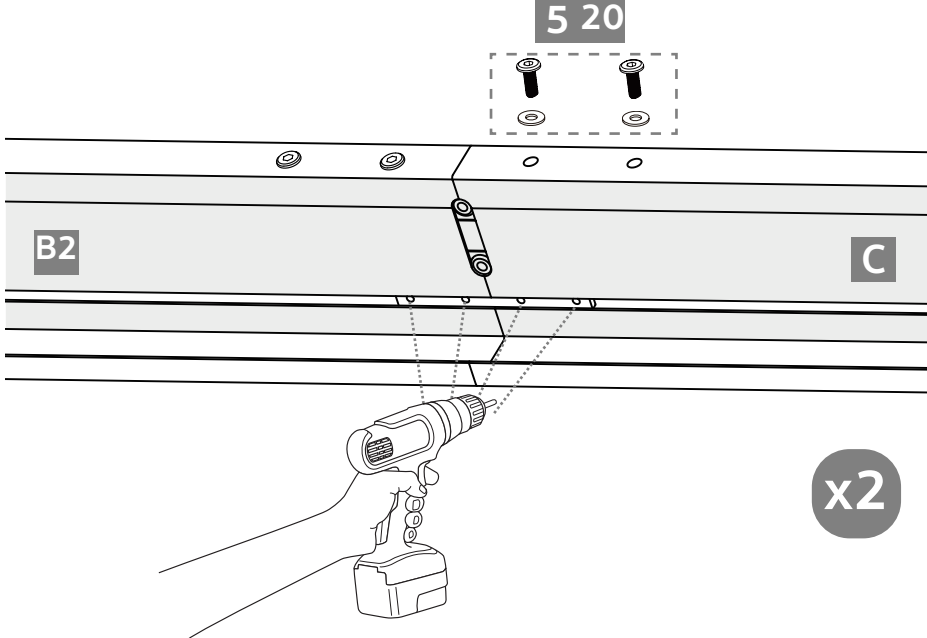
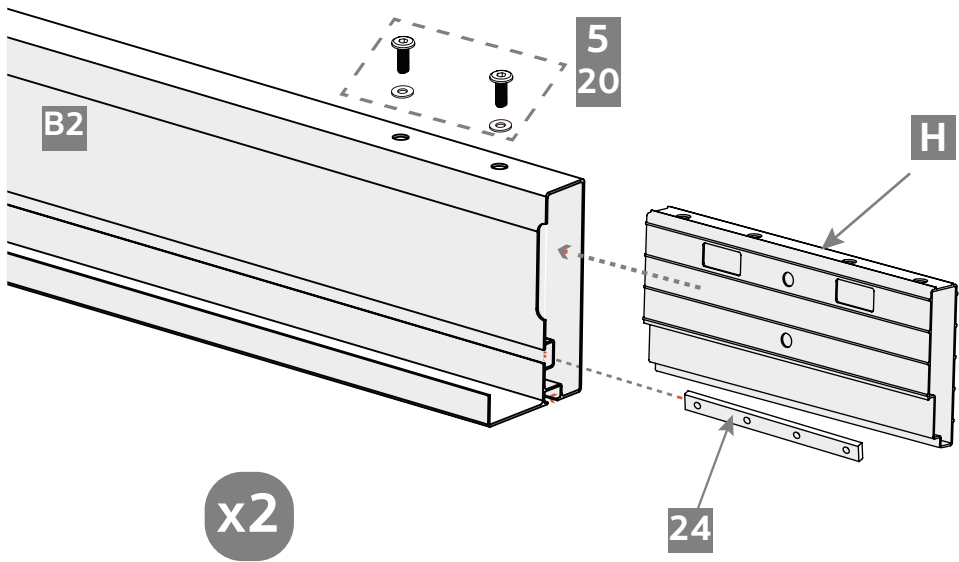
PARTS TO BE USED:



2c



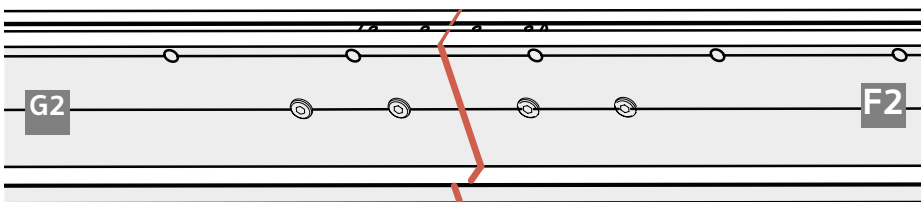
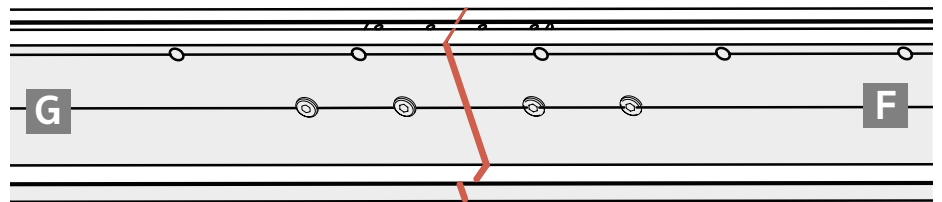
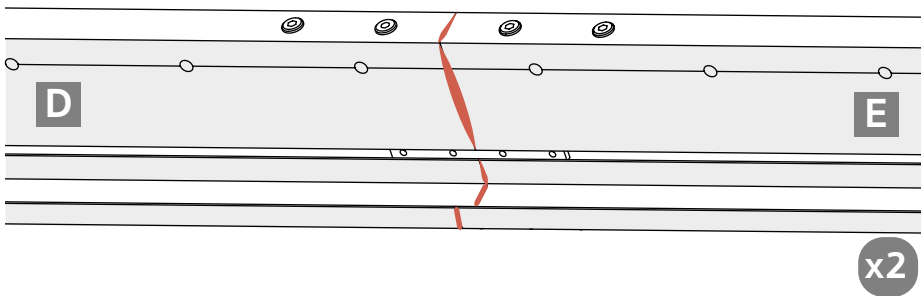
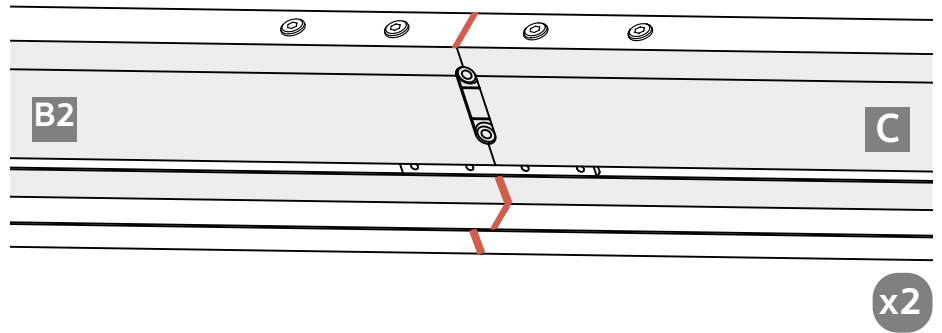
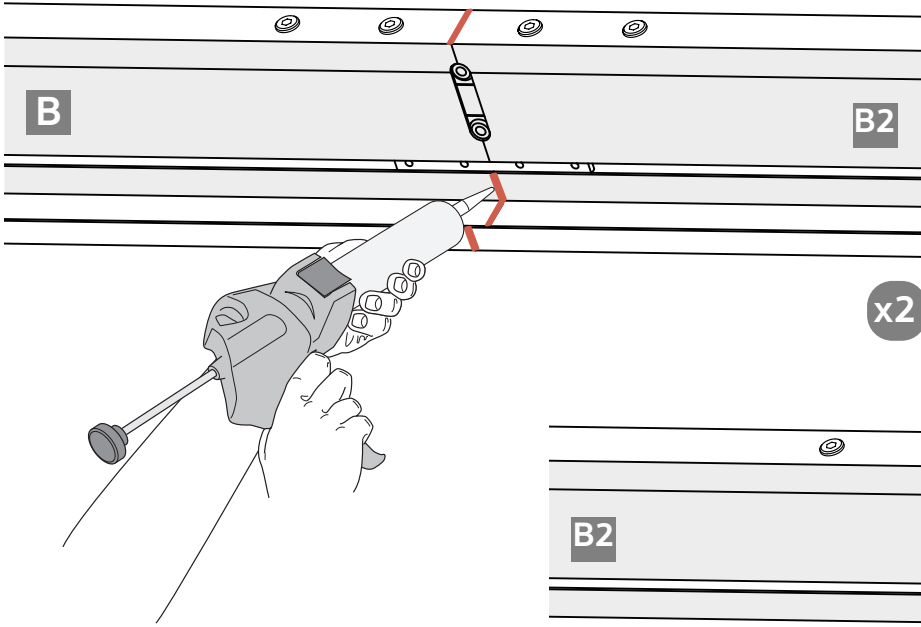
Repeat steps 2b and 2c to connect the end beam **B+B2** and end beam **C**.



2d



Before attaching the beams to the pillars, apply silicone sealing grout to the slot in the gutter seal.



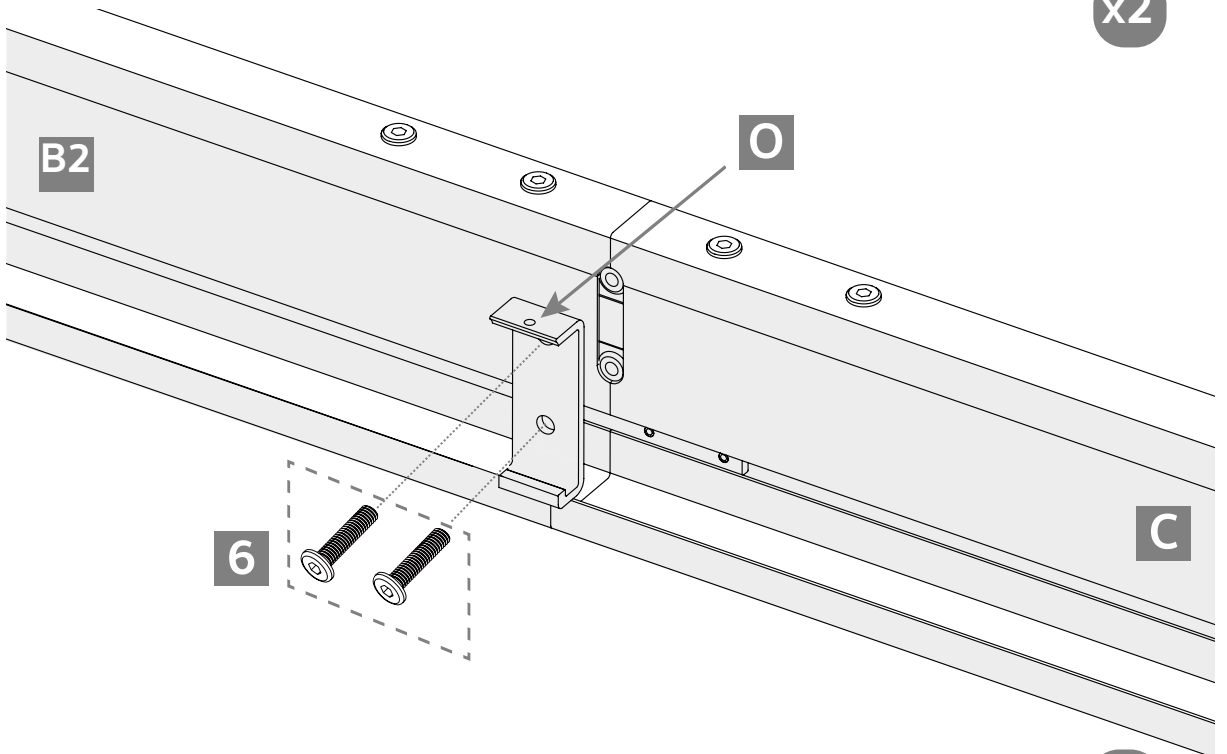
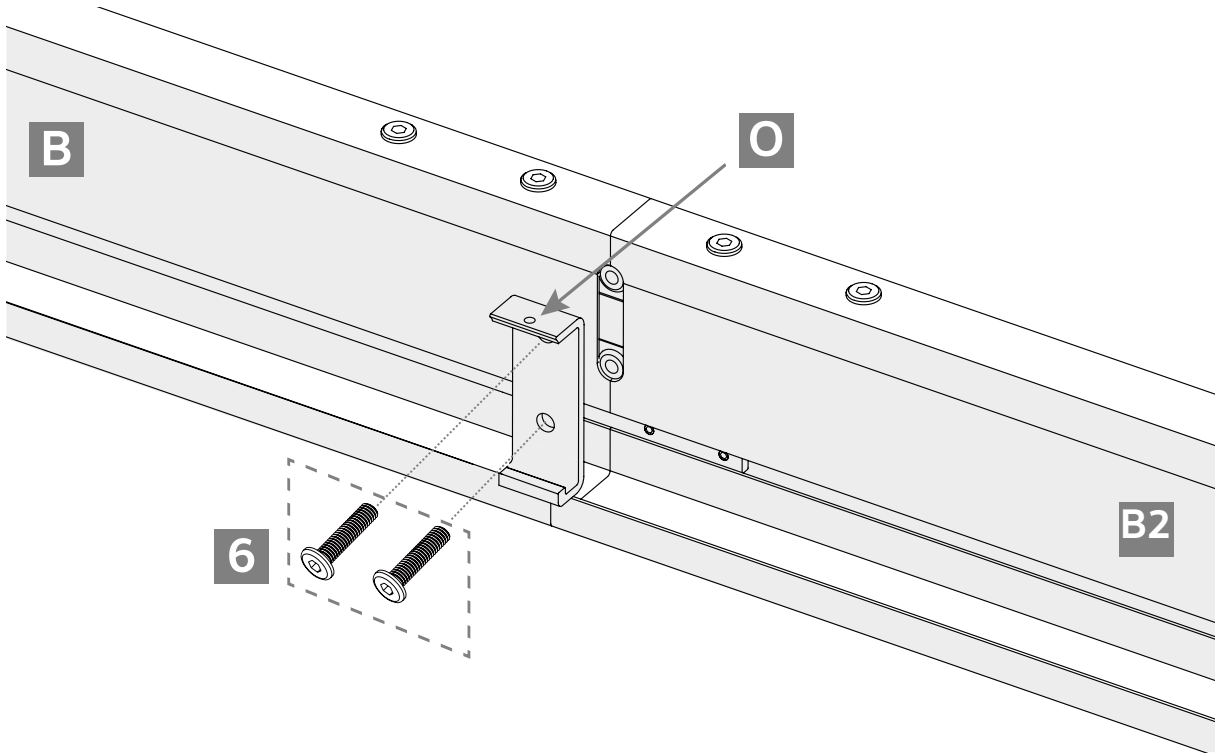
PARTS TO BE USED:



2e

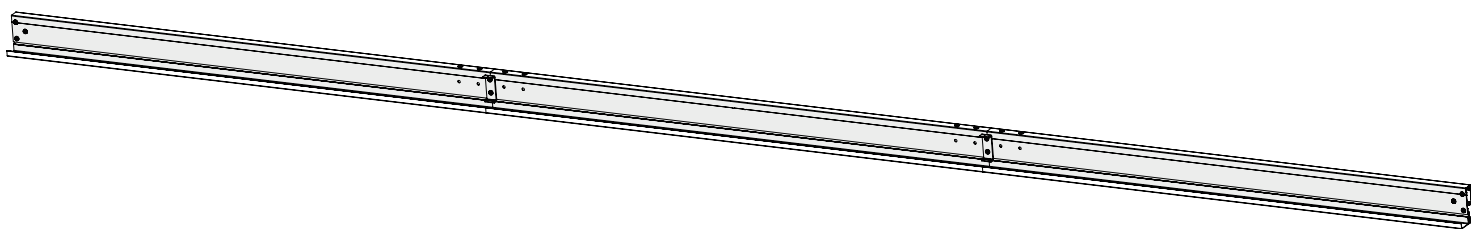


Attach the middle beam supporter **O** to middle of the end beam **B**, end beam **B2** and end beam **C** with 2 screws **6** using an M5 hex bit.

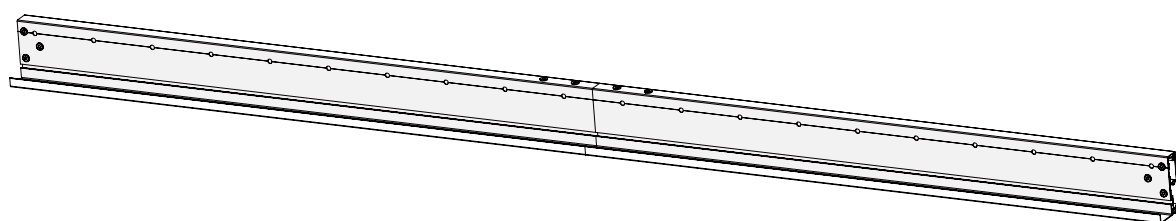


After step 2e you will get:

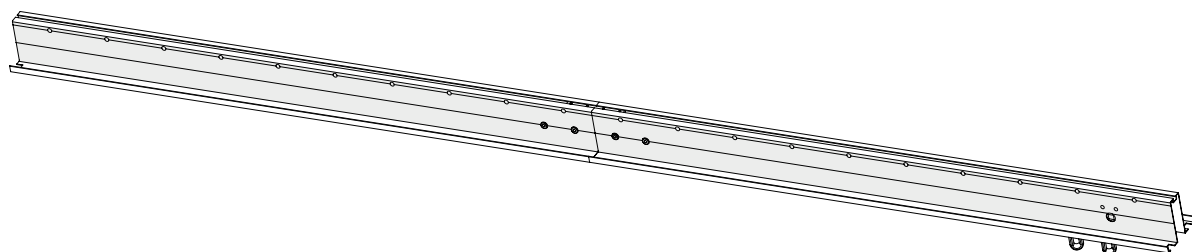
Model: 8820LBL, 8840LBLGR, 8850XLBLGR



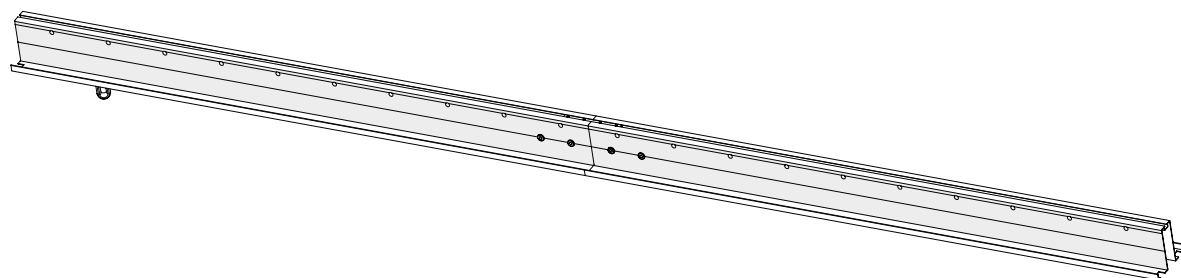
End beam **B** + **B2** + **C** x 2



Side beam **D** + **E** x 2



Middle beam **G** + **F** x 1



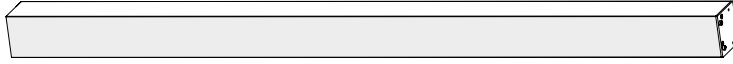
Middle beam **G2** + **F2** x 1

Connect end beams B+B2+C to the middle pillar A2

03

PARTS TO BE USED:

A2 x 2

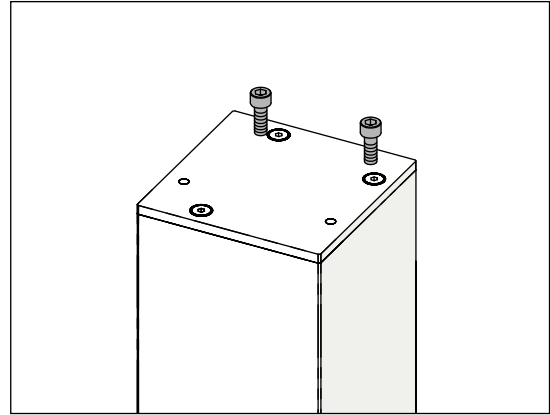
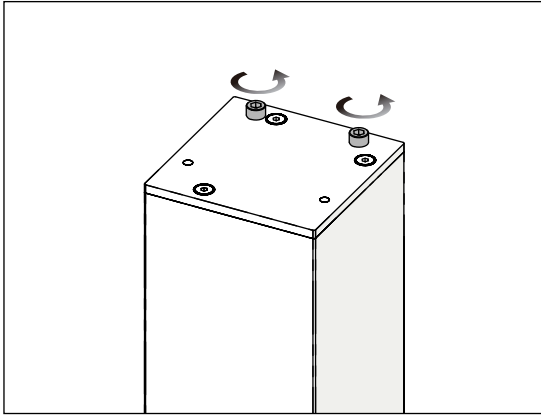


21 x 4

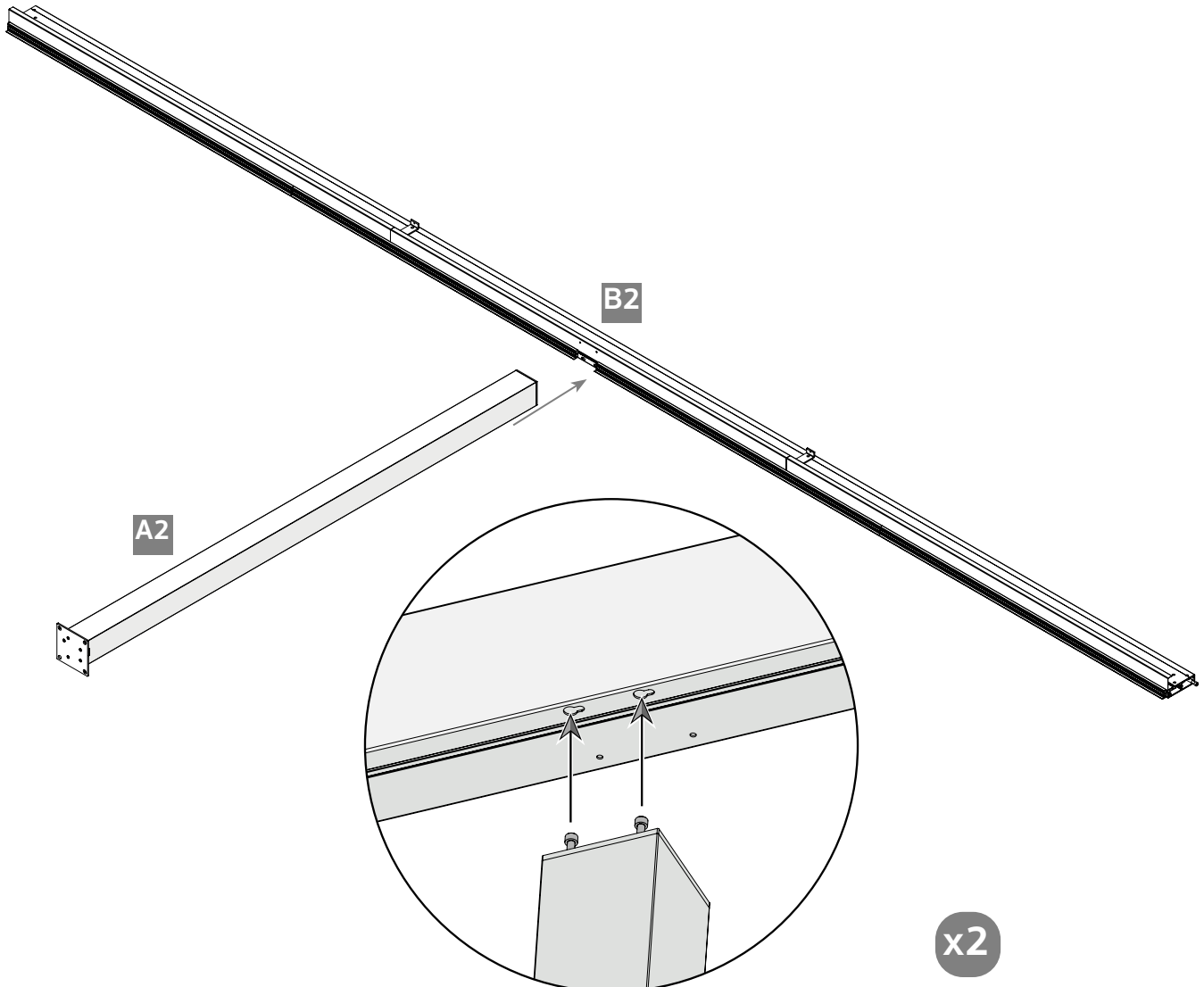


Use the M5 hex bit to slightly loosen the two pre-assembled screws at the top of the middle pillars **A2**.


Attach these screws on the top of the middle pillars **A2** to the bottom of the end beam **B2**.

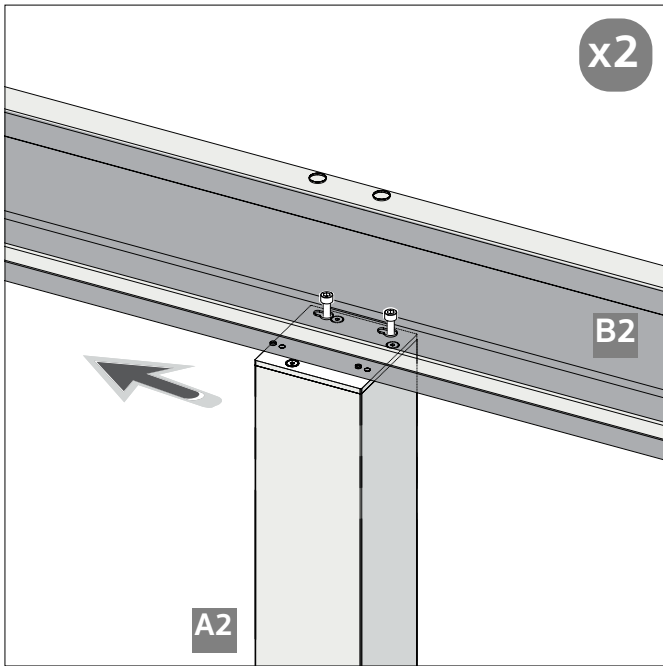


x2

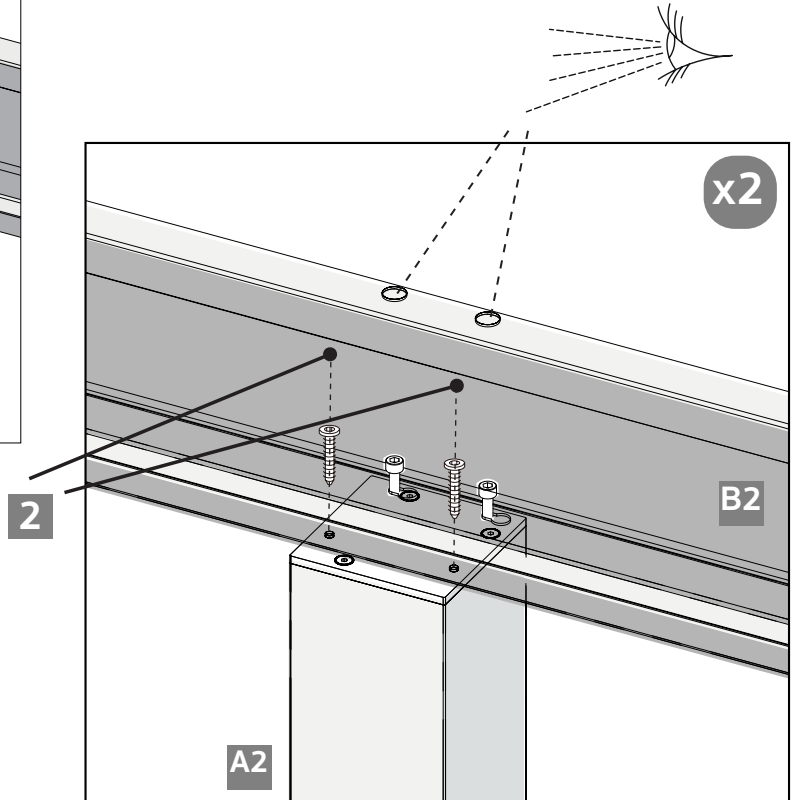



x2

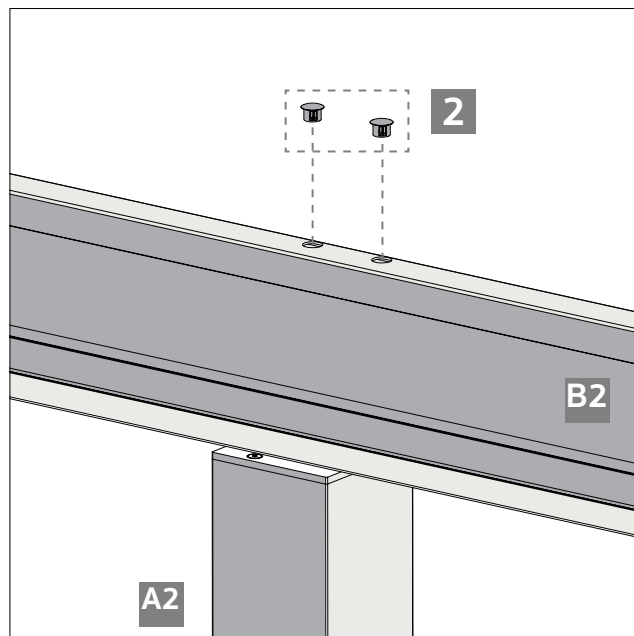
 Slide the middle pillar slightly to the left to ensure the screws stay secure within the beam. Then, using the M5 hex bit, tighten the pre-assembled screws at the top of the middle pillar and tighten 2 screw **2** with the M3 hex bit.



When tightening the pre-assembled screws, use the other hole at the top of end beam B2 to check if the hex bit is properly aligned with the screws.



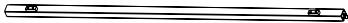


 Insert the hole plug **21** into the holes on the top of end beam **B2**.




20'x10' with curtains & 20'x12' with curtains

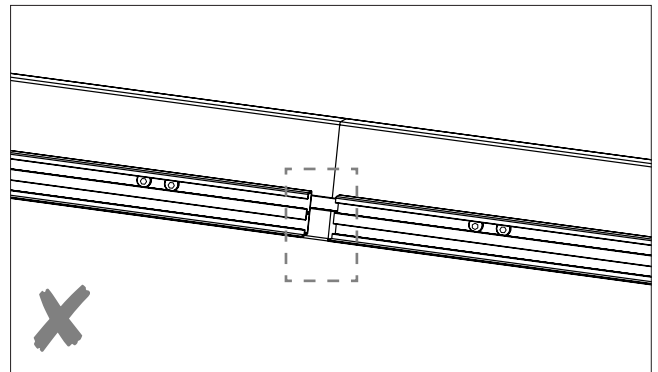
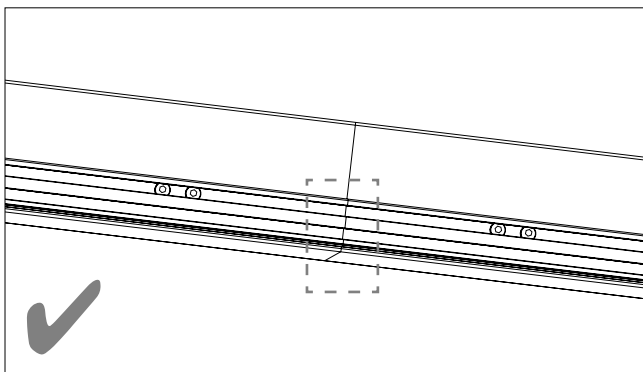
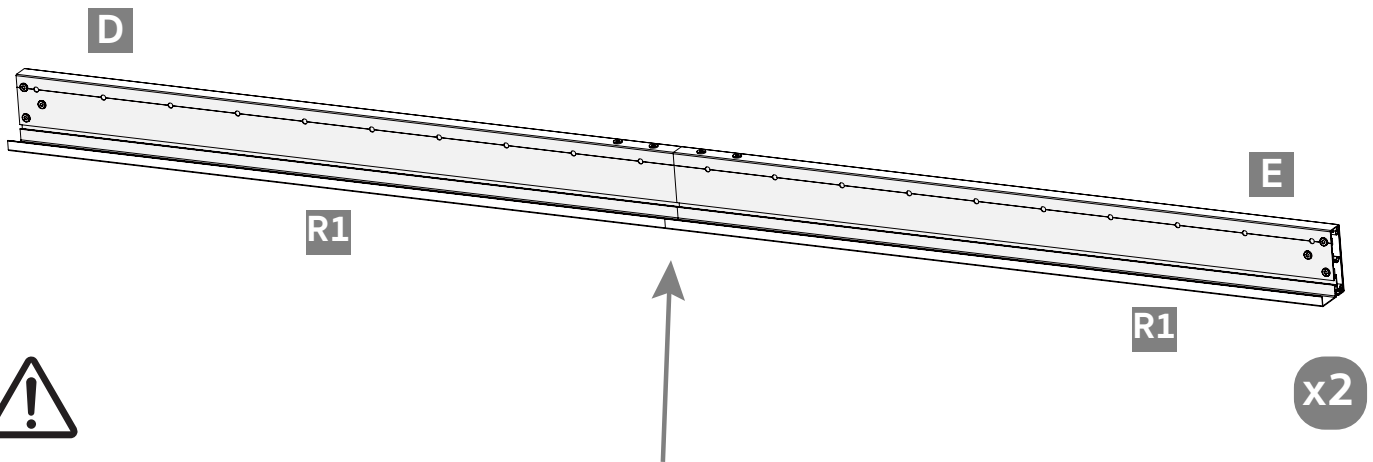
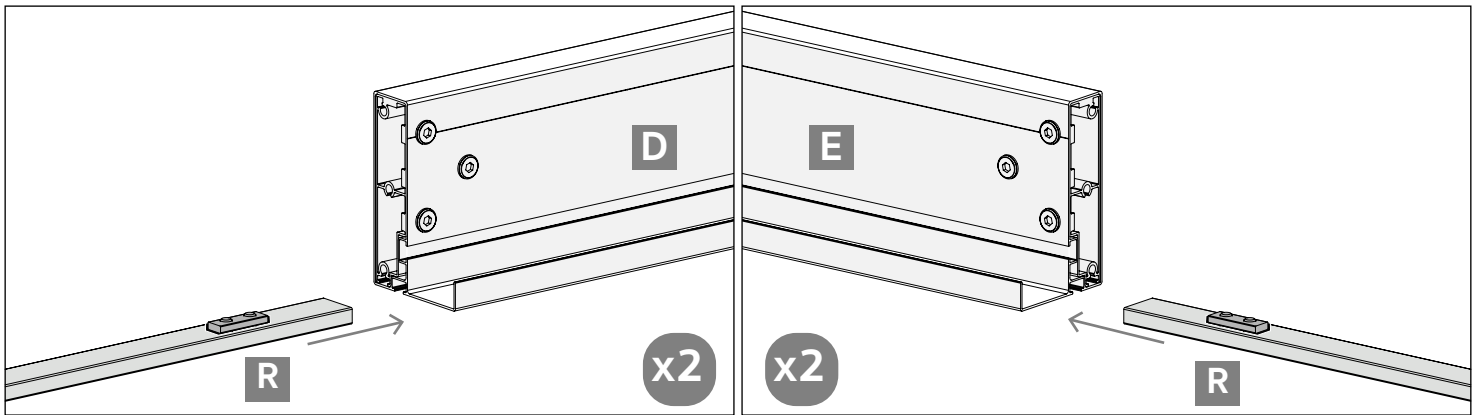
20'x10' & 20'x12' GO TO STEP 4


PARTS TO BE USED:

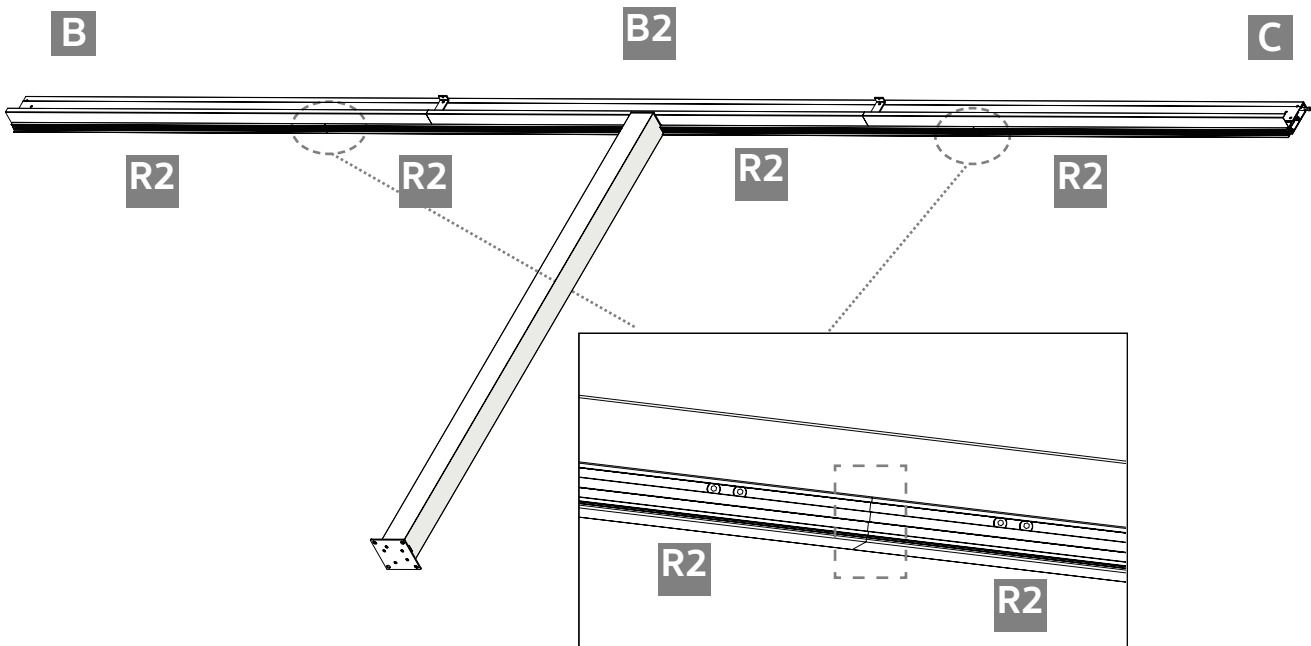
Ref	Projection		
	10ft. / 3m	12ft. / 3.65m	
R		4 pcs	4 pcs
R2		4 pcs	4 pcs
3		120 pcs	128 pcs


3b

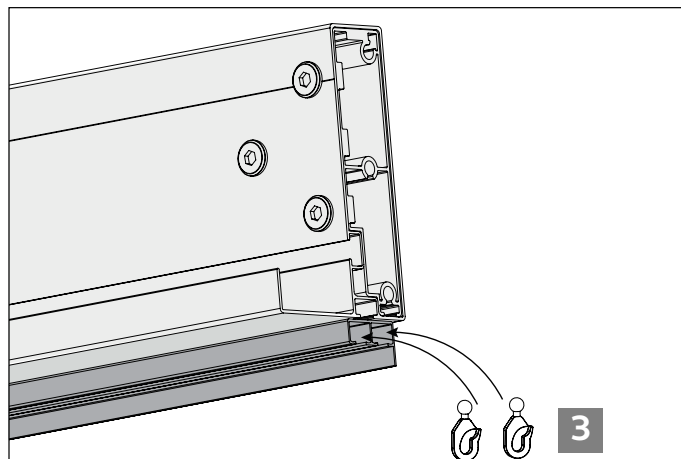
 Using an M3 hex bit, slightly loosen the 4 built-in screws at the each end of the curtain rails **R**. Slide the curtain tracks into the grooves of side beams. Tighten the 4 built-in screws on curtain rails.

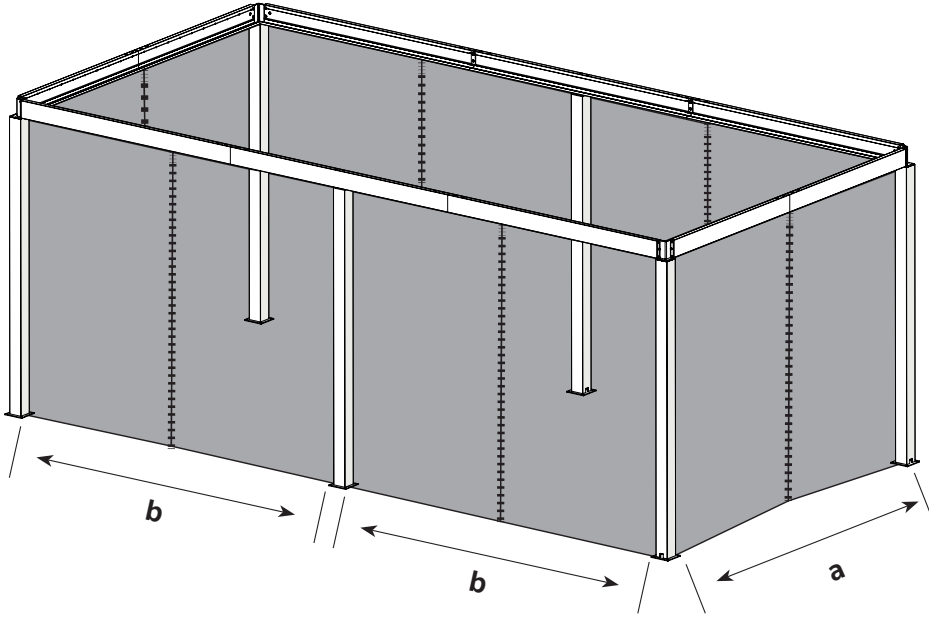


 Repeat step 3b to slide 4 curtain rails **R2** into the groove at the bottom of beam **B+B2+C** and tighten the 4 built-in screws on curtain rails.



 Slide the curtain hooks into the curtain rails. Use the specified number of curtain hooks as indicated in next page:





Curtain

20'x10':

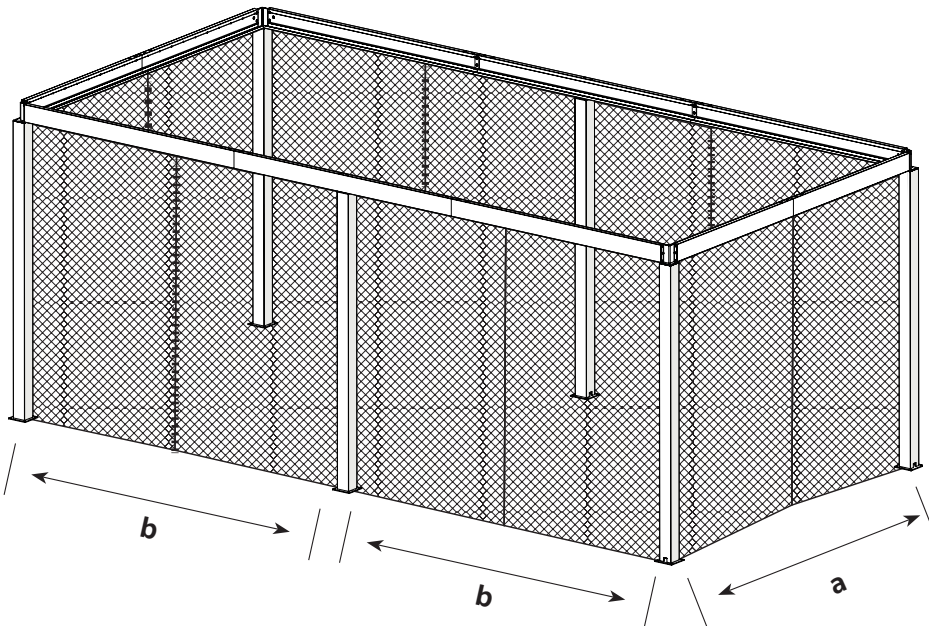
Length b - 10 pcs hooks

Length a - 10 pcs hooks

20'x12':

Length b - 10 pcs hooks

Length a - 12 pcs hooks



Netting

20'x10':

Length b - 10 pcs hooks

Length a - 10 pcs hooks

20'x12':

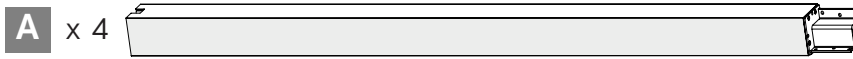
Length b - 10 pcs hooks

Length a - 12 pcs hooks

Connect end beams and side beams to the corner pillar

04

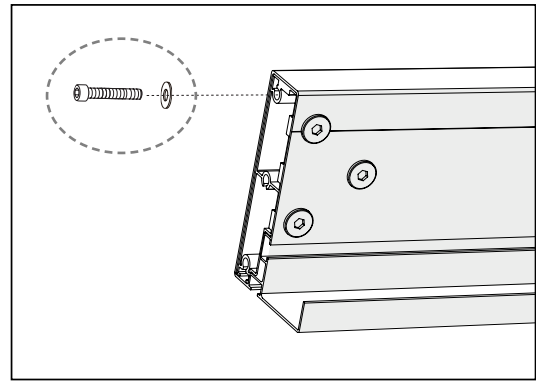
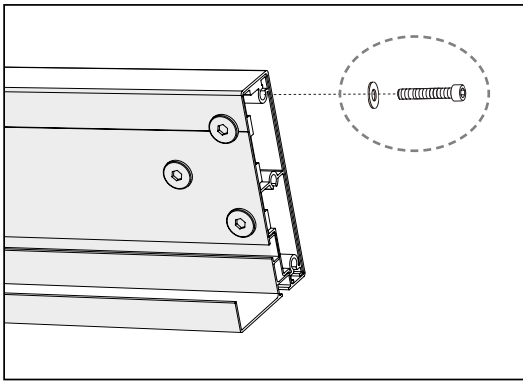
PARTS TO BE USED:



4a



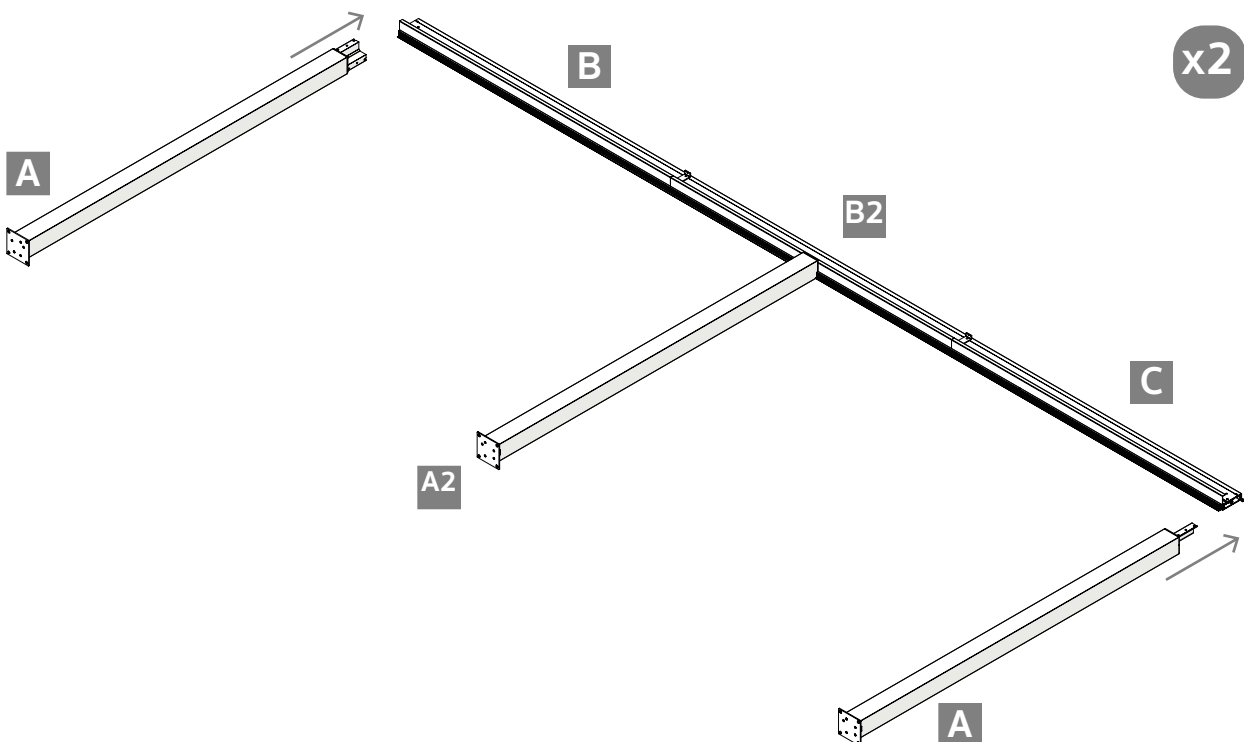
Screw the screw **23** and washer **20** into the screw holes at the end of the beams about **10 mm**, do not tighten them completely.

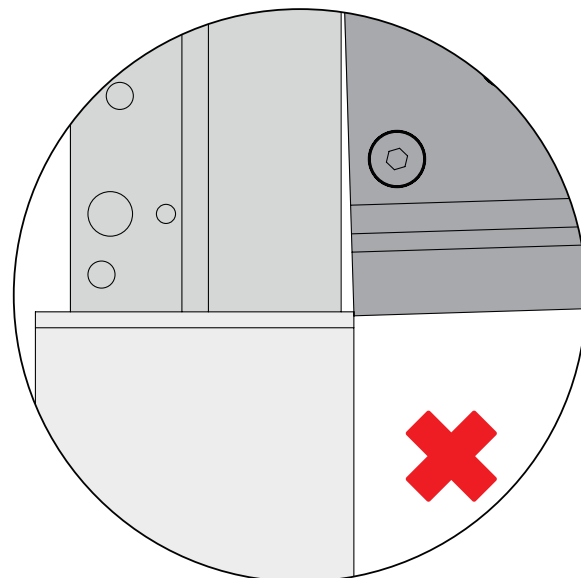
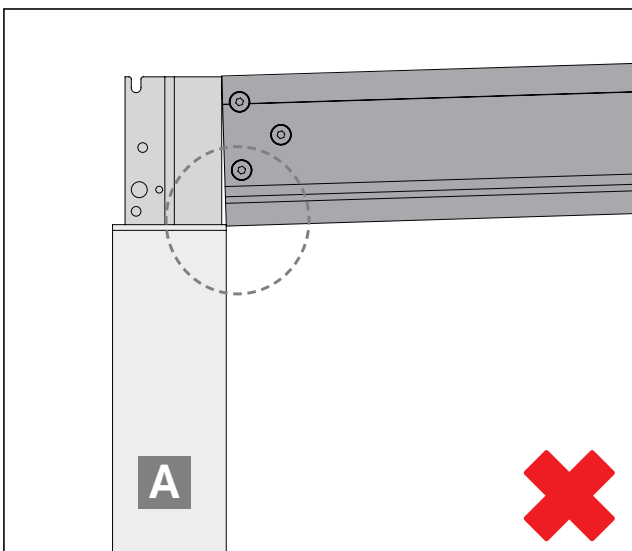
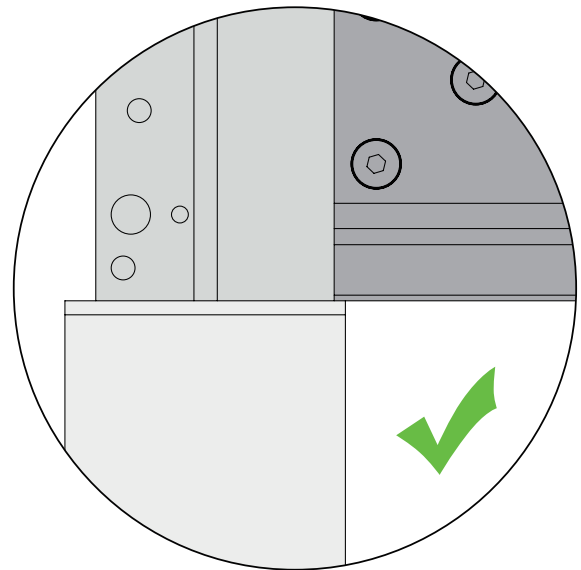
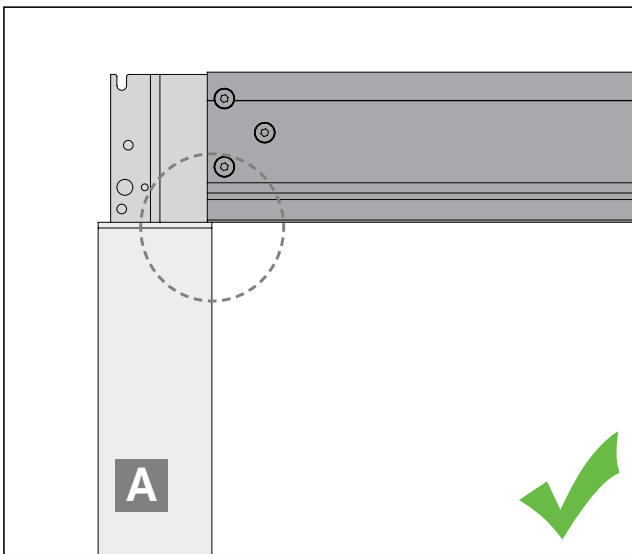
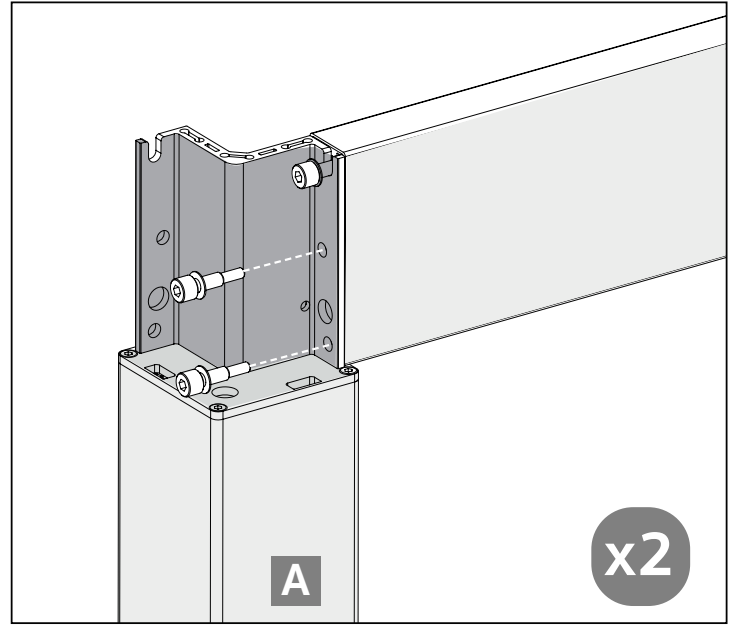
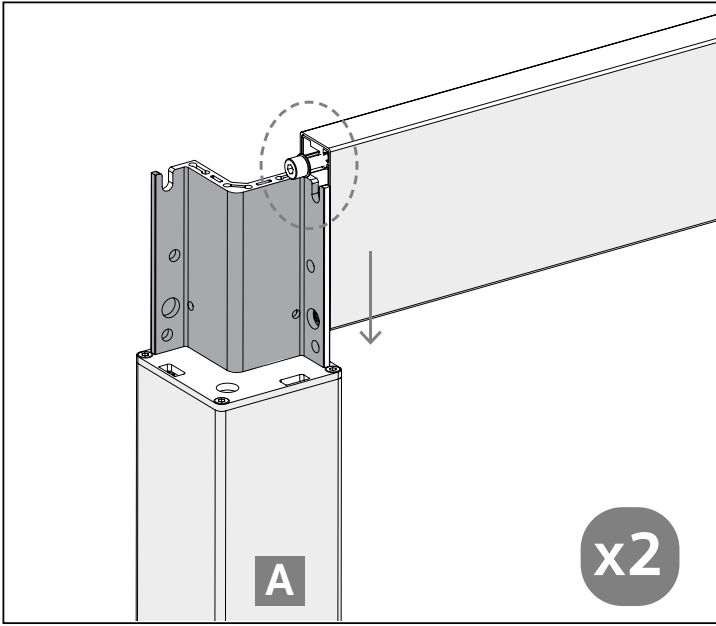


4b




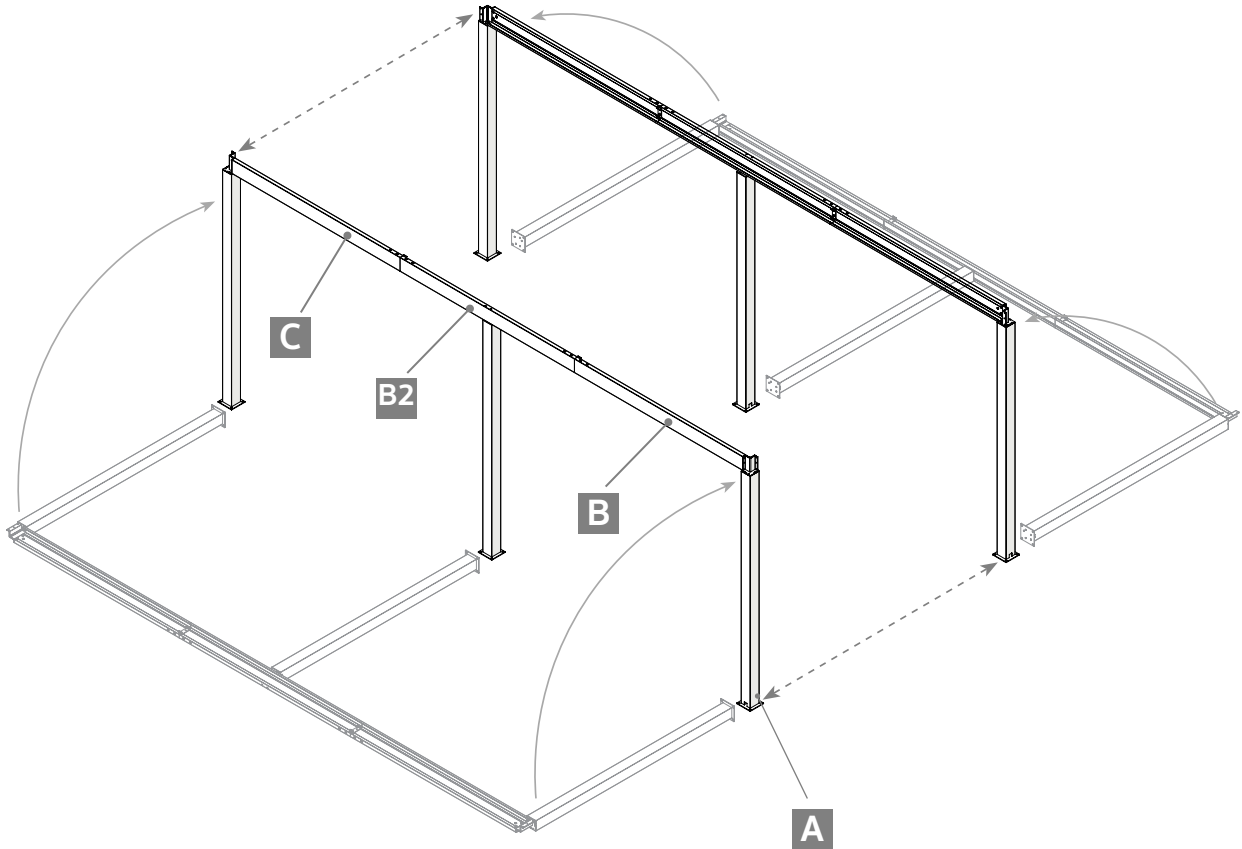
Hang the end beam **B+B2+C** (completed in step 3A) to the top of the pillars, tighten with screws **23** and washers **20**, using the M6 hex bit.



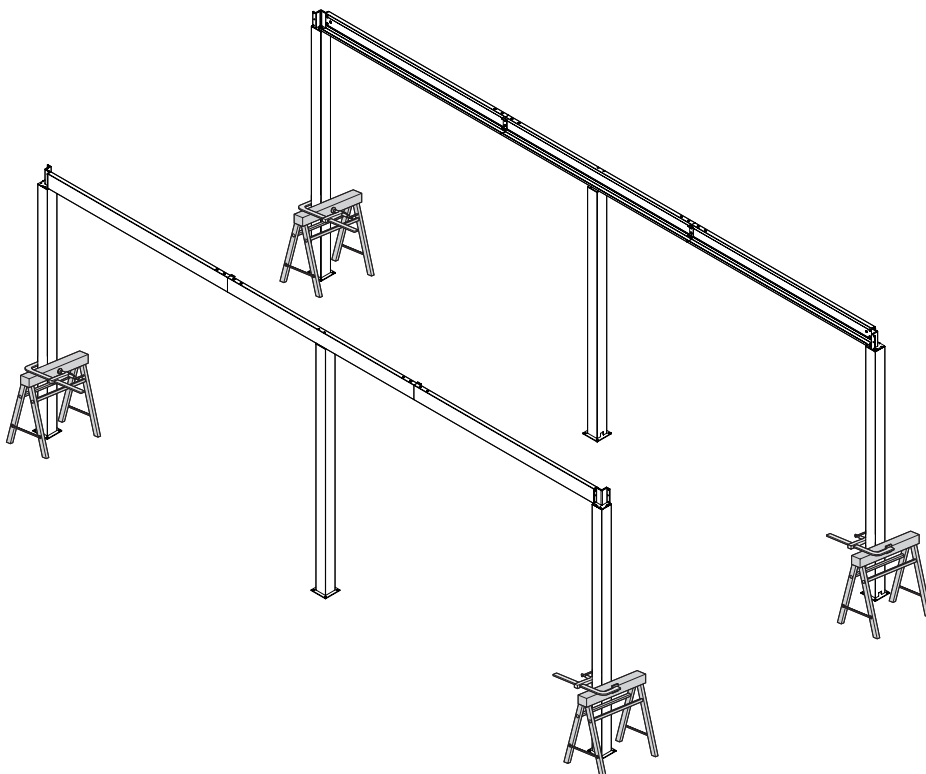


4c

 Position the two structures assembled in Step 4b upright, spaced one end beam length apart. **If the PREPARATION STEP is complete**, refer to Steps 5b and 5c to secure both structures to the supporting surface in this step.

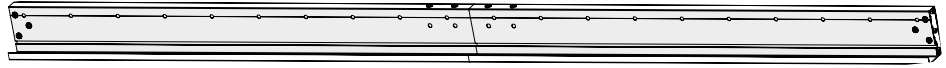


If the preparation step is not complete, ensure that each corner pillar A is supported by a person or stabilized using stands and clamps to prevent the structures from falling.

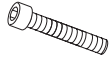


PARTS TO BE USED:

D + **E** x 2



23 x 12



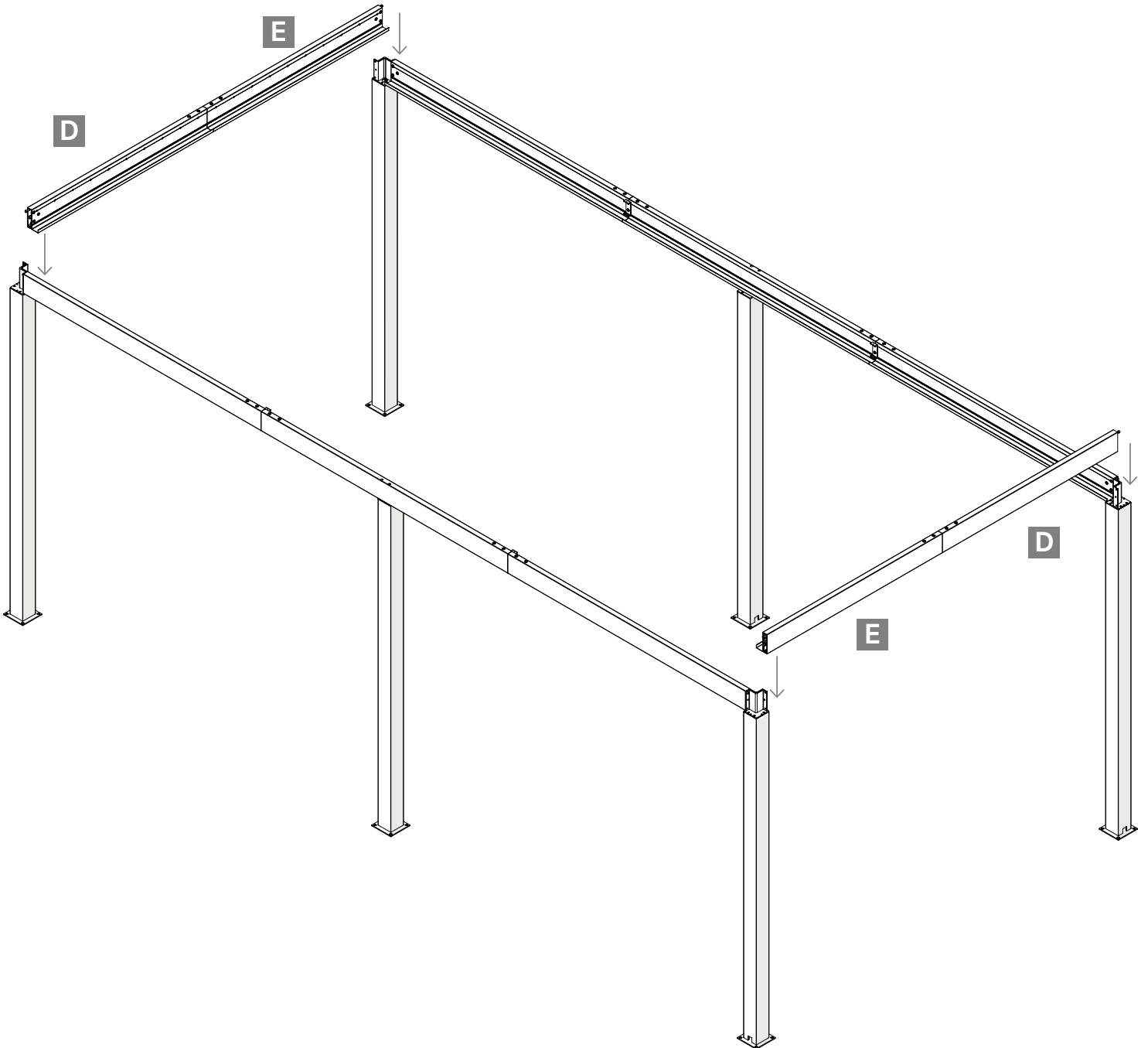
20 x 12




4d

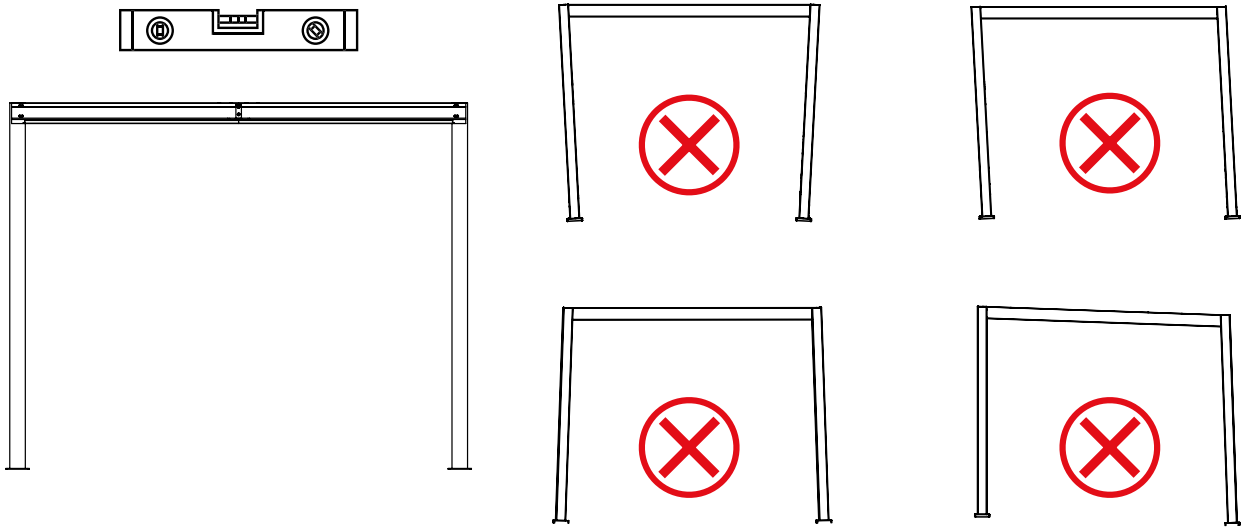



Repeat steps **4a** and **4B** to connect the side beams **D+E** to corner pillar **A**.



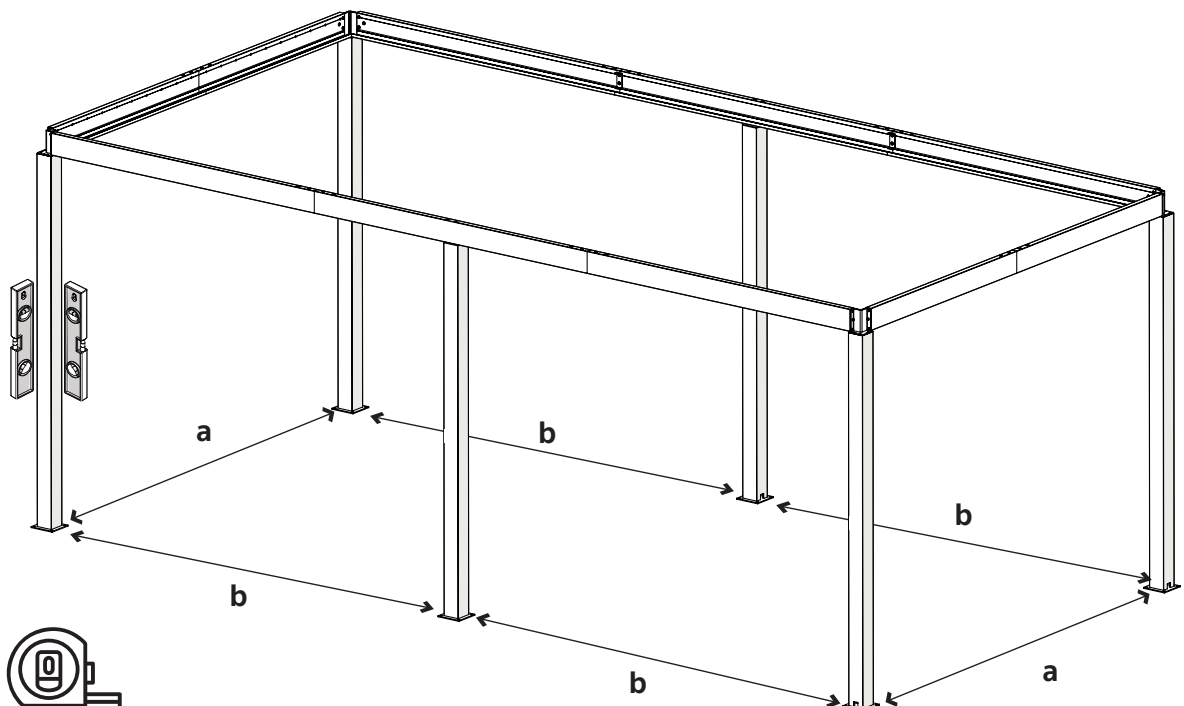
4e

 Using a leveler to check that all corner pillars are straight and level. If the corner pillars or beams are still not level, this means that your main building surface isn't sufficiently level, and that you will need to raise the corner pillars that are positioned lower than the others. (Contact qualified workers if needed)



 You are now almost done installing the main frame of the pergola. Please double check to ensure all corner pillars and beams have been installed and fitted correctly. You may have to unscrew certain bolts during this step. You will also need a tape measure and a leveler to complete this step.

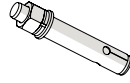
Measure the distances between the adjacent corner pillars. Adjust accordingly and ensure the distances match those shown in the opposite figure.



05 Secure the pillars to the ground

PARTS TO BE USED:

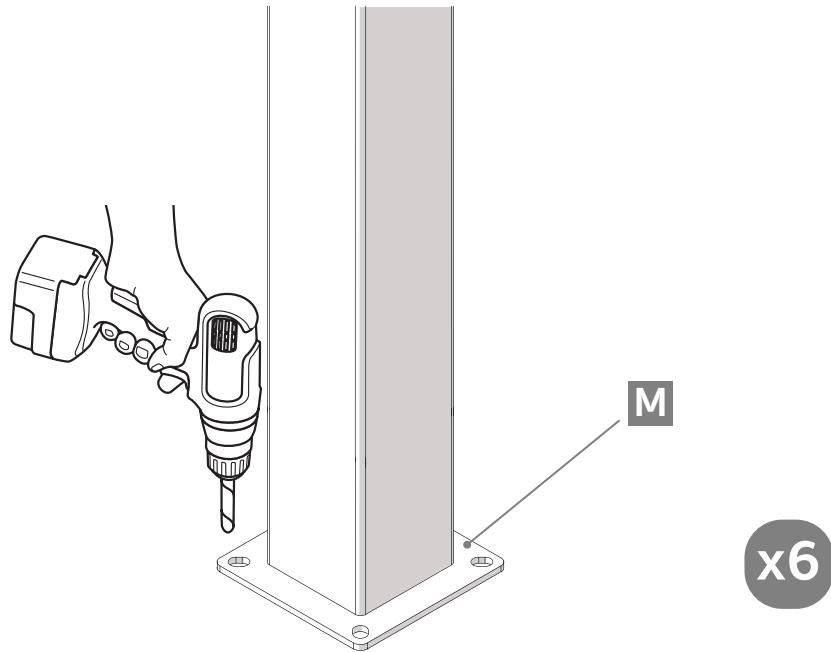
14 x 24



5a



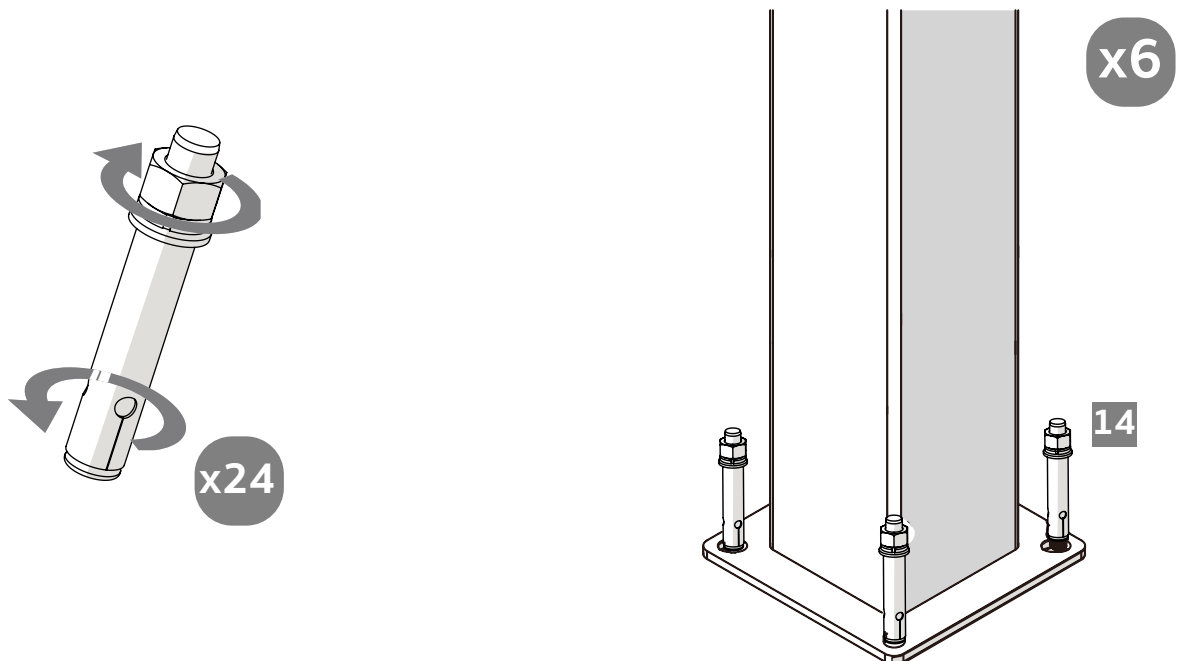
To fix the corner pillars with the 6 pillar plates **M**, drill through each hole with a hammer drill.



5b



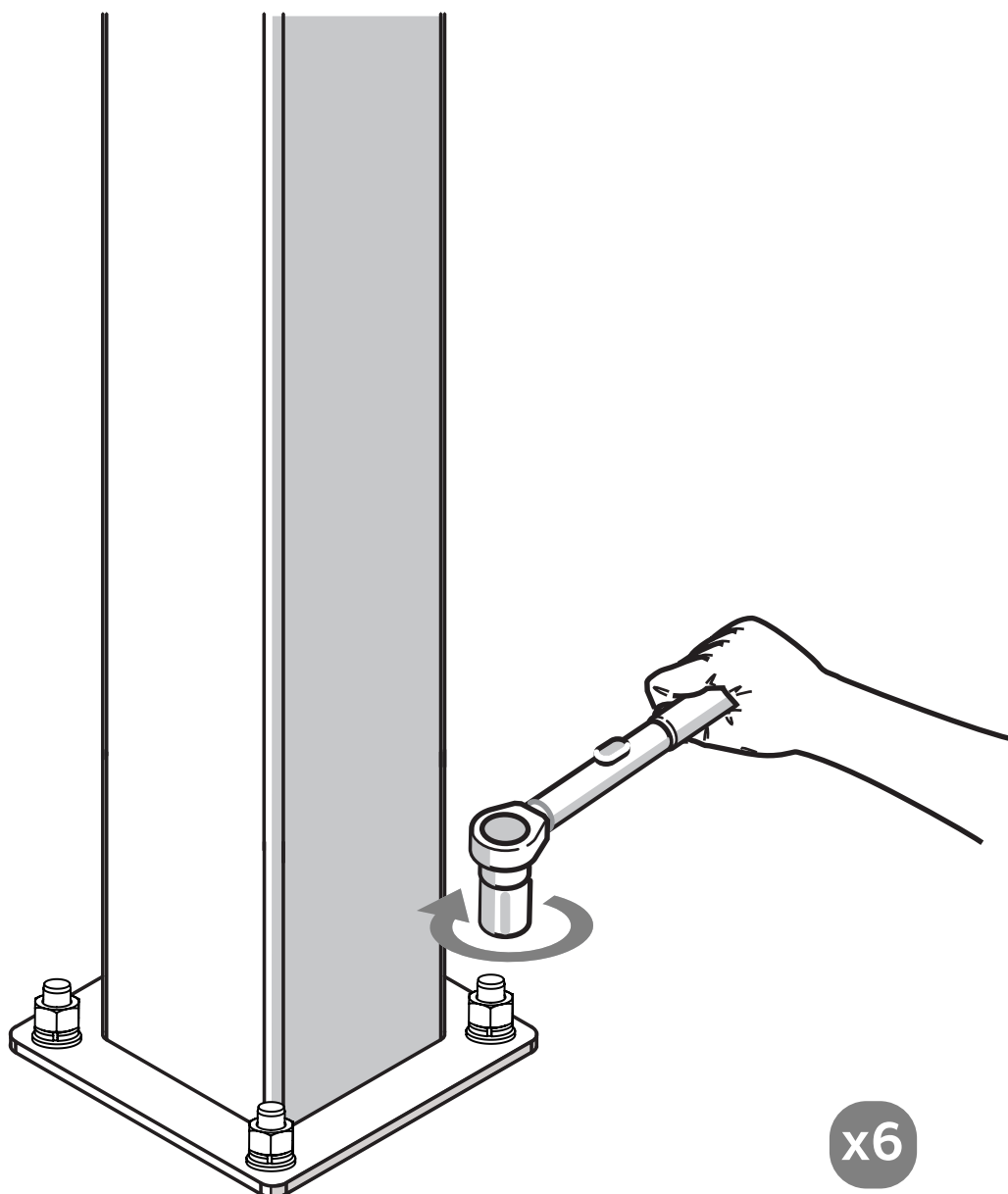
Remove all the debris and dirt. Slightly tighten the anchor bolts, firmly insert the anchor bolts **14** into each hole, using a hammer.



5c

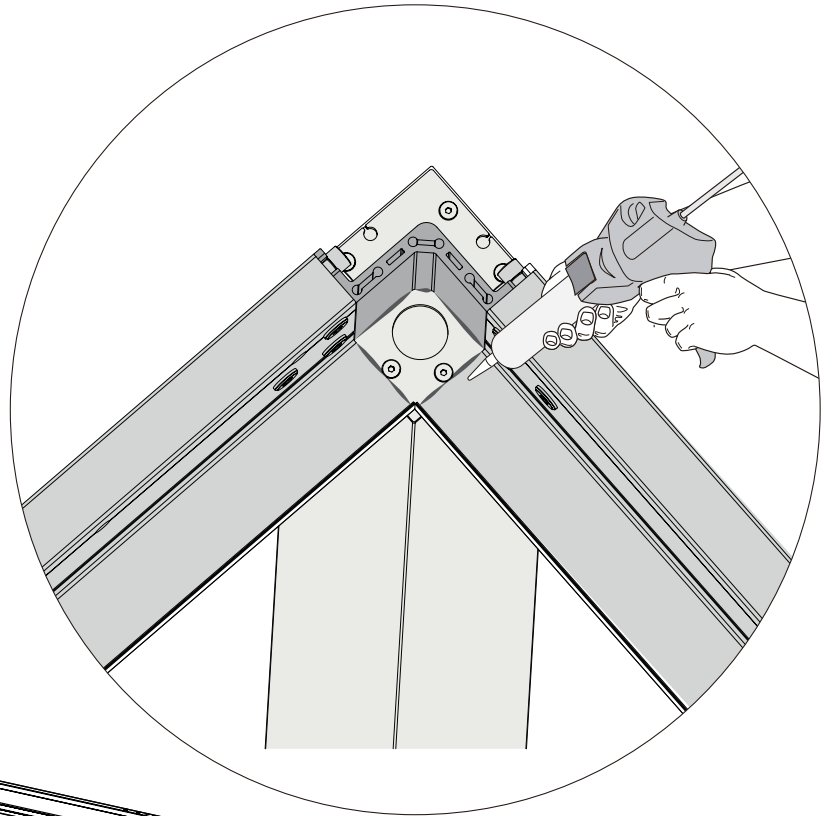


Tighten the hexagonal ends of each bolt with a spanner/wrench.

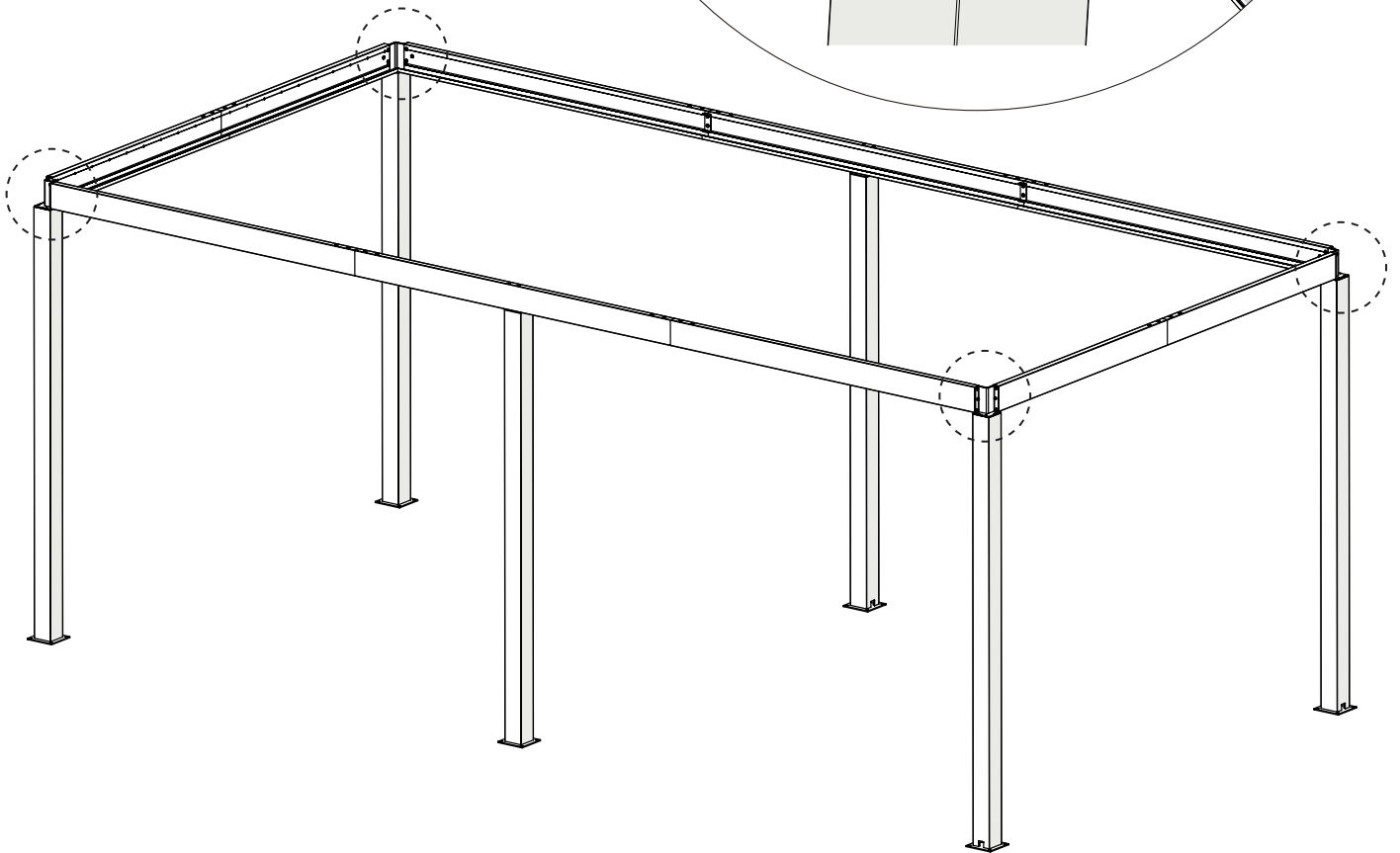




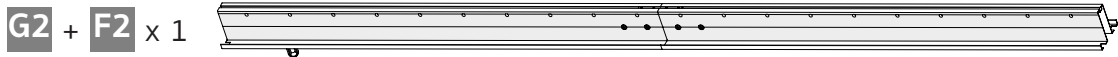
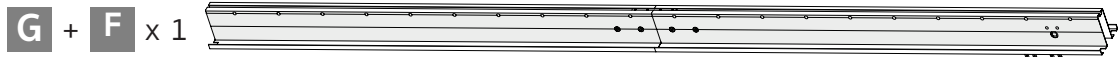
Apply silicone sealing grout to the corner of beams.




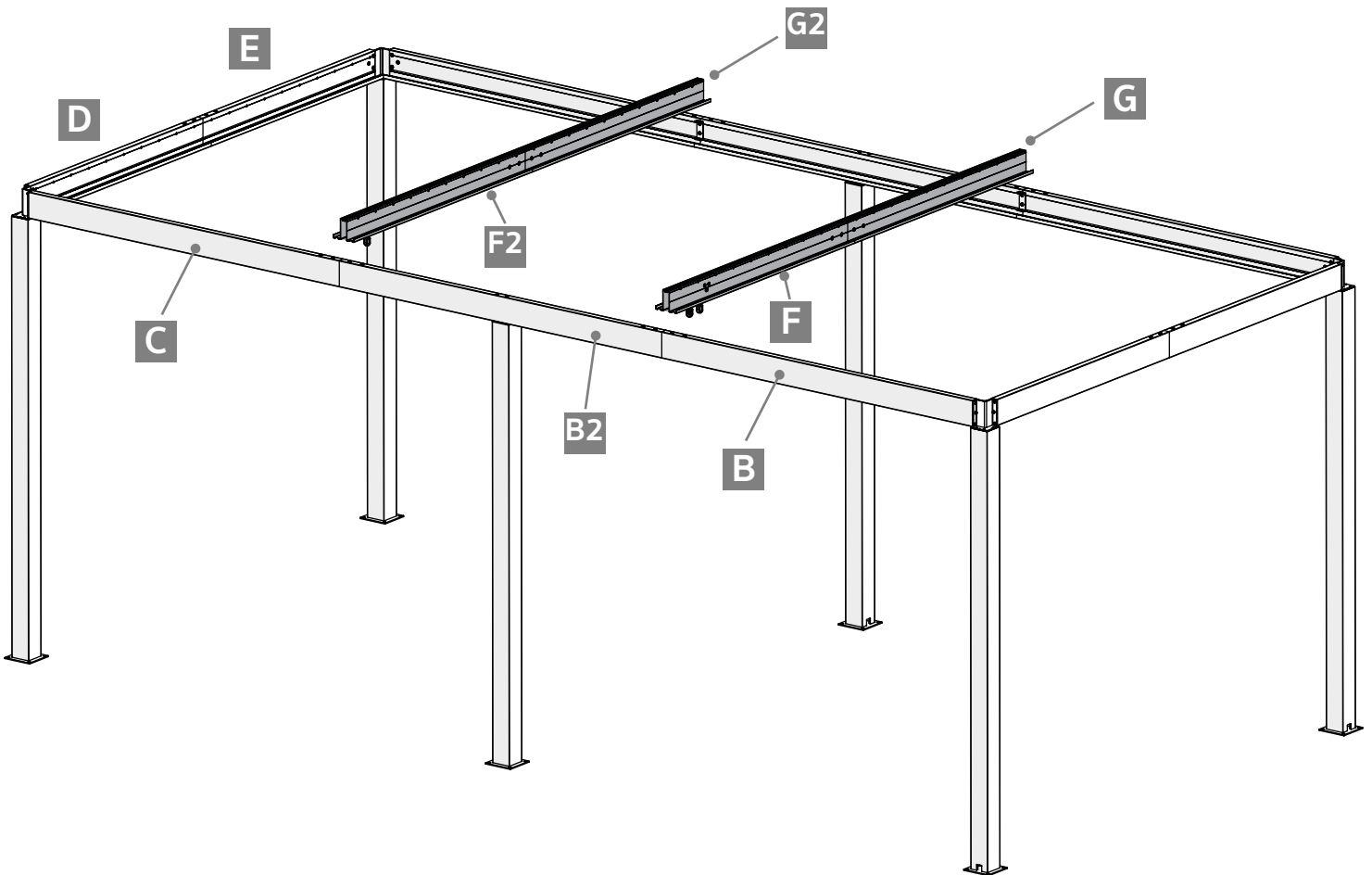
x4



PARTS TO BE USED:

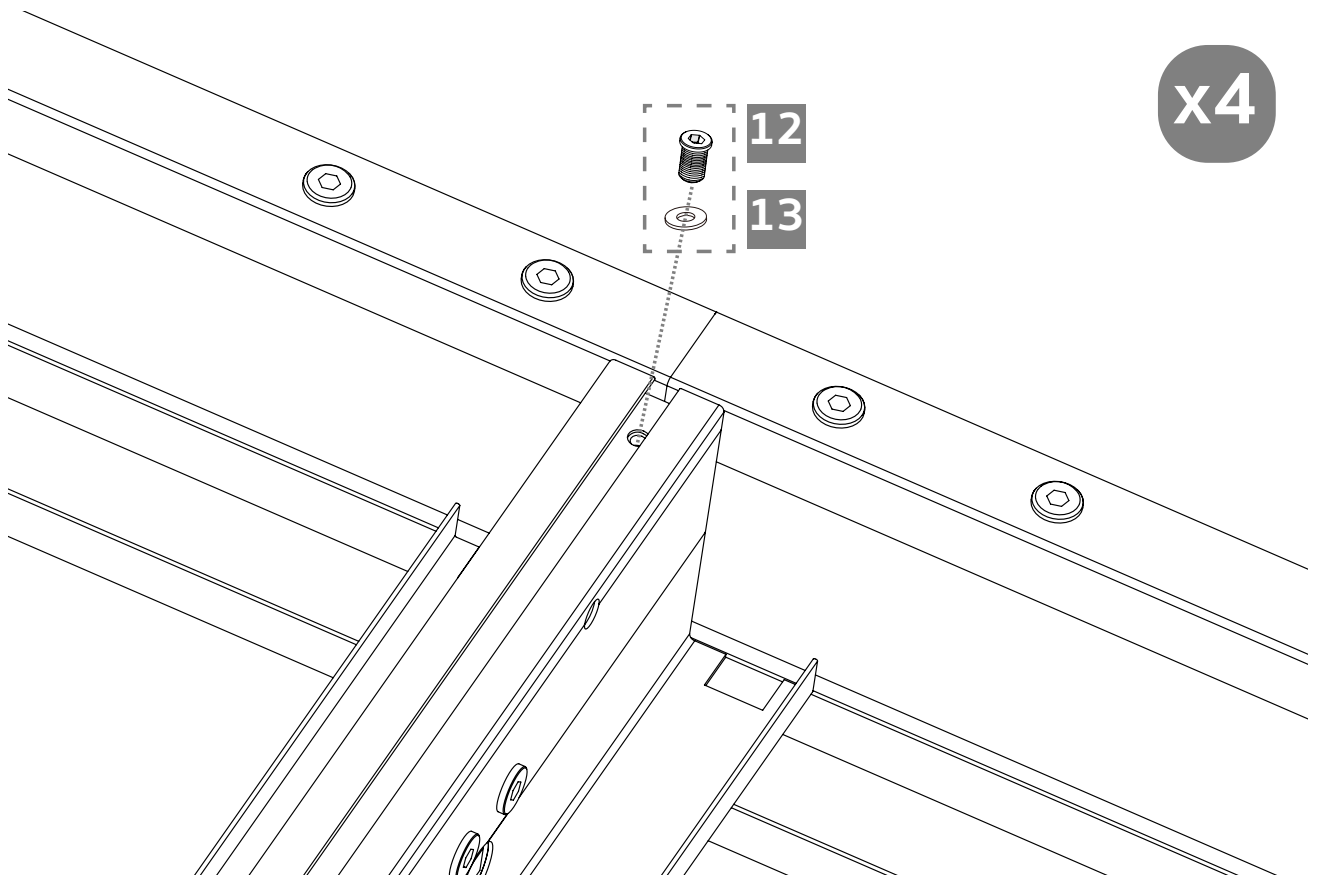
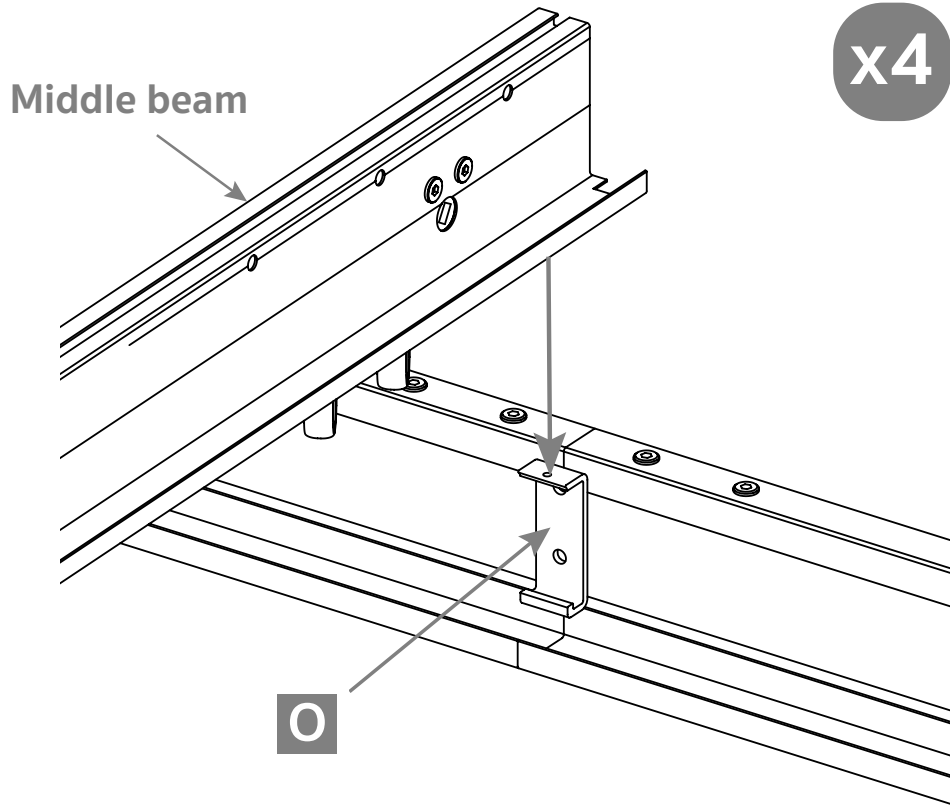


 To install the middle beam **G+F** and **G2+F2**, fix each end of middle beam to the top of middle beam supporter with 4 screws **12** and washers **13**. Fix them using the M3 hex bit.



ATTENTION

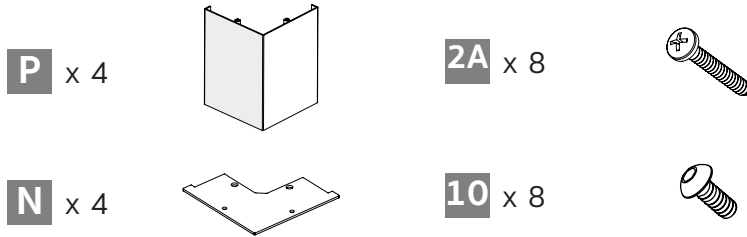
Please install the middle beam **G+F** and middle beam **G2+F2** according to the position and sequence shown in the figure, Otherwise the blinds will not be able to be installed correctly on the central module in the next step.



Install the corner cover, post cover and rubber grommet

07

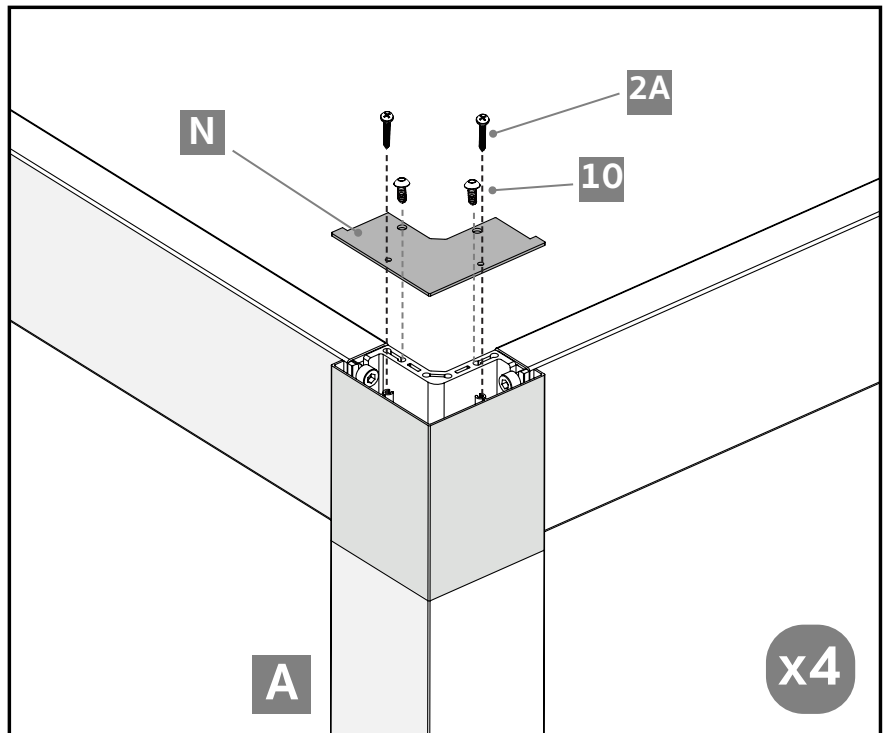
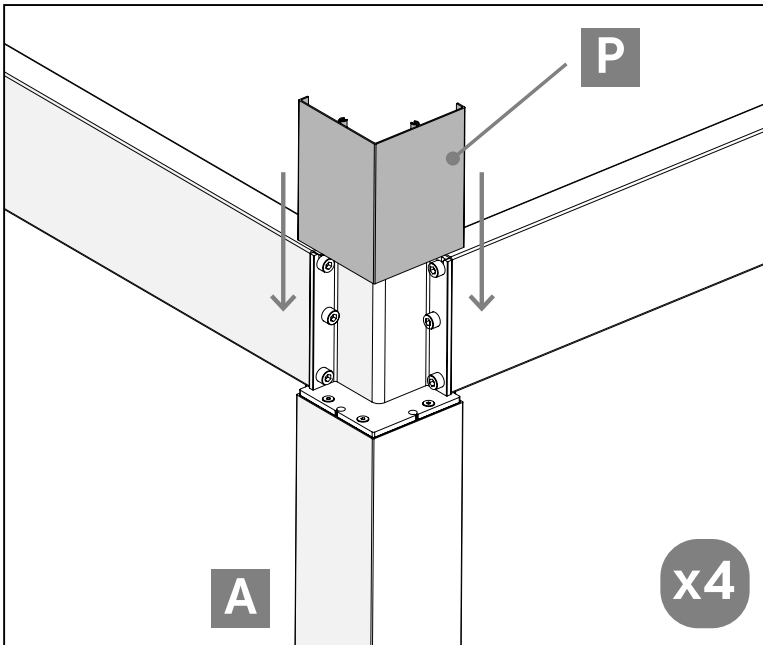
PARTS TO BE USED:



7a



To install the pillar cover, fix the corner pillar cover **N** to the top of each corner pillar with 2 screws **4** and with 2 screws **10**.



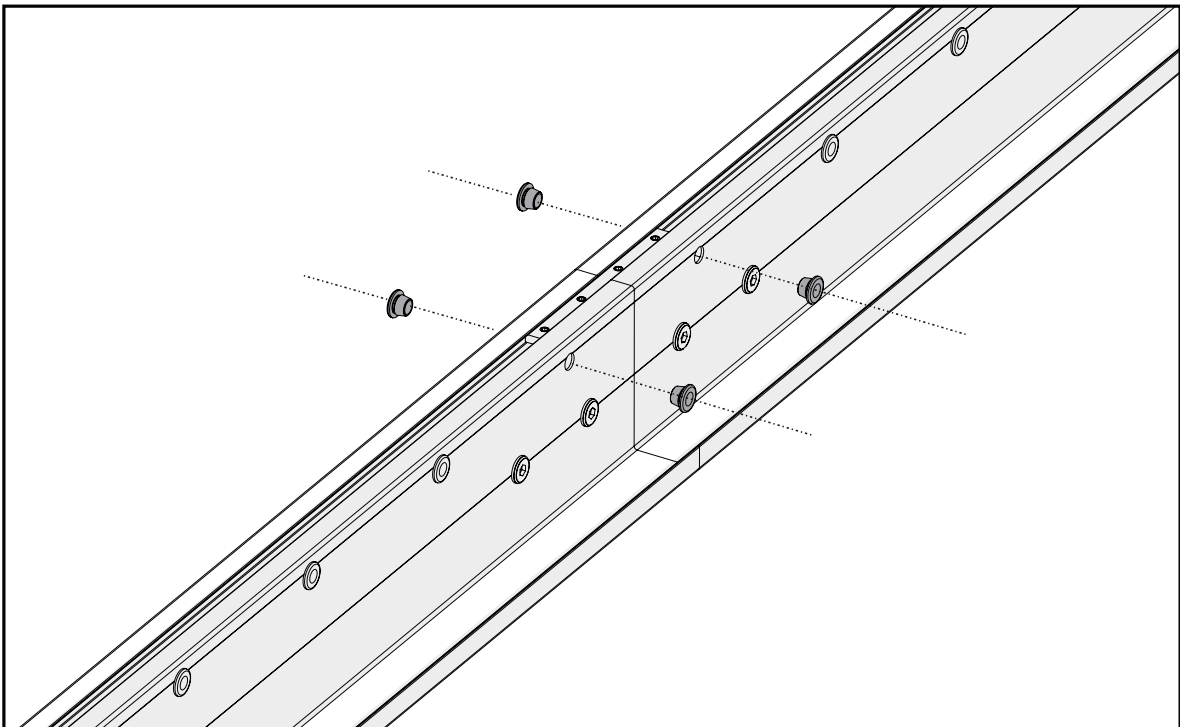
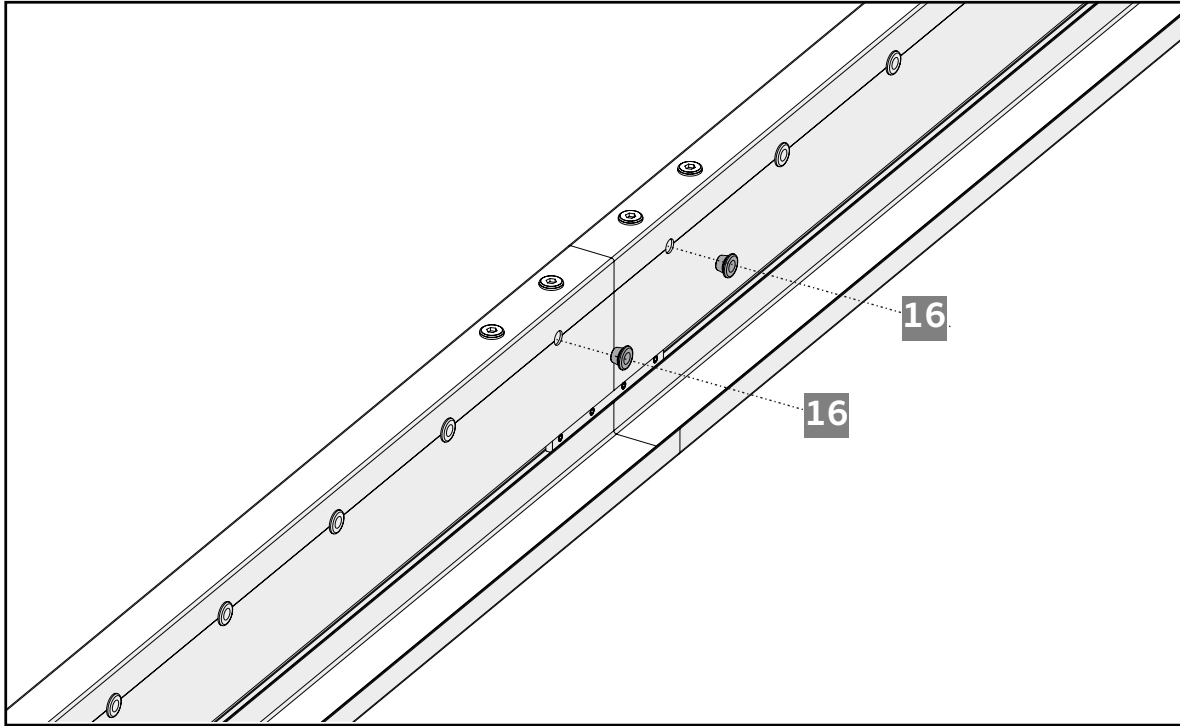
PARTS TO BE USED:

	Ref	Projection	
		10ft. / 3m	12ft. / 3.65m
16		12 pcs	12 pcs

7b

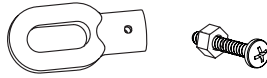


Insert rubber grommets **16** into the holes on the side beams and middle beam.

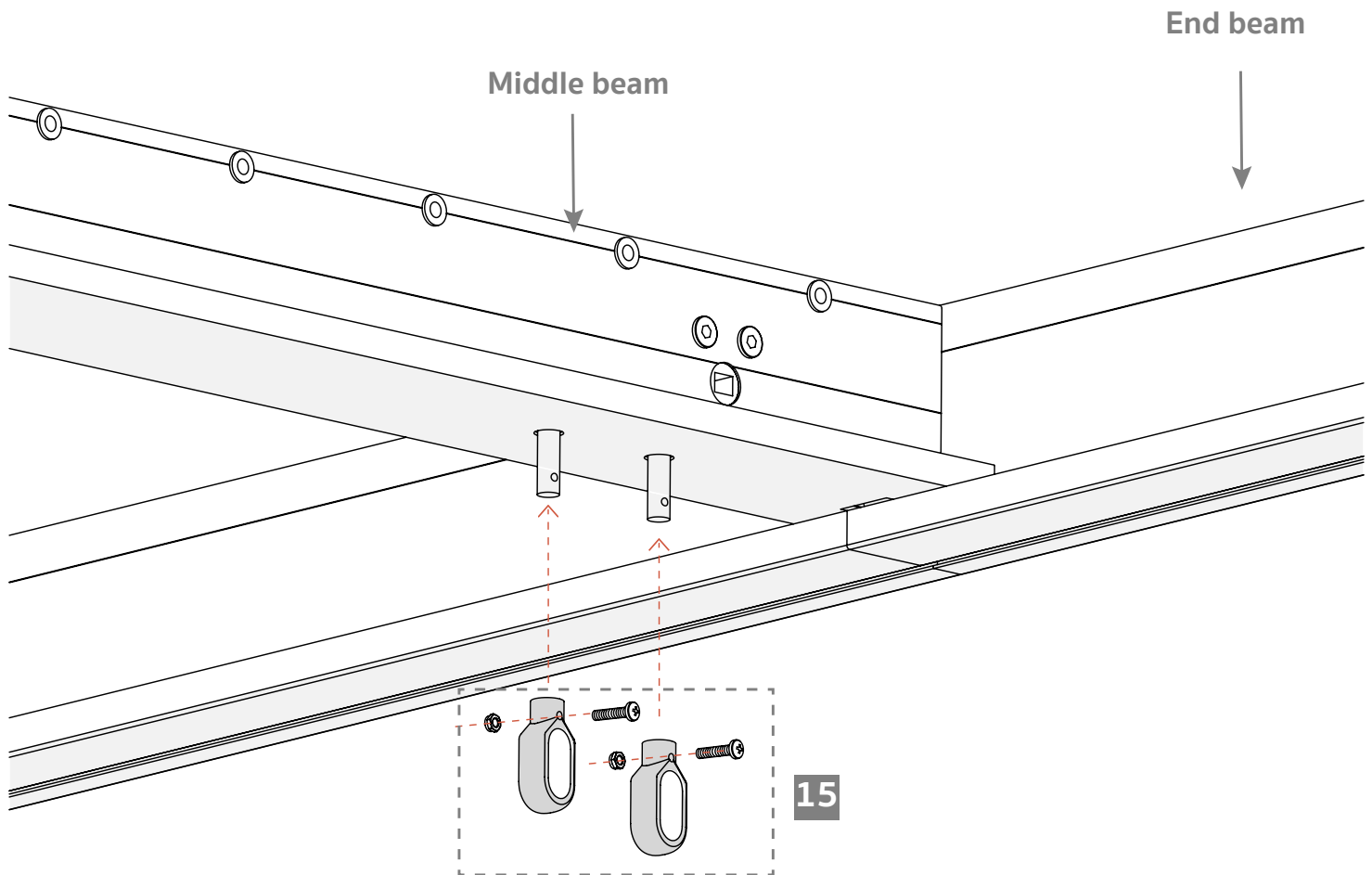


PARTS TO BE USED:

15 x 3



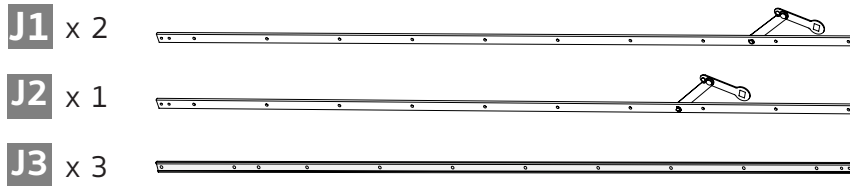
Attach the 3 ring caps **15** to the gear box on the middle beam **F** and **F2** with screws and nuts **15**.



09

Attach connecting strip with control arm

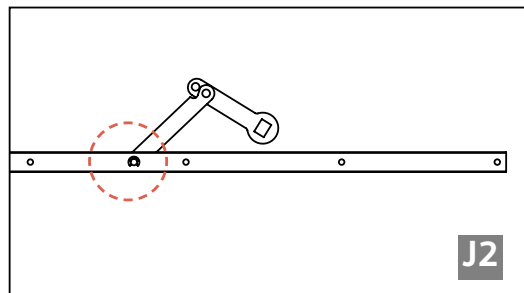
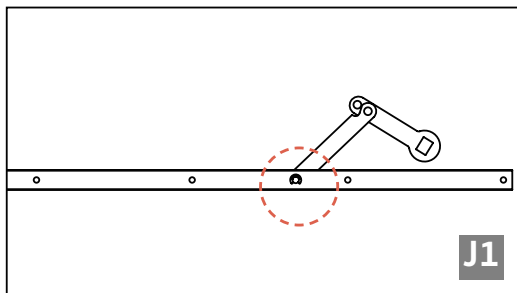
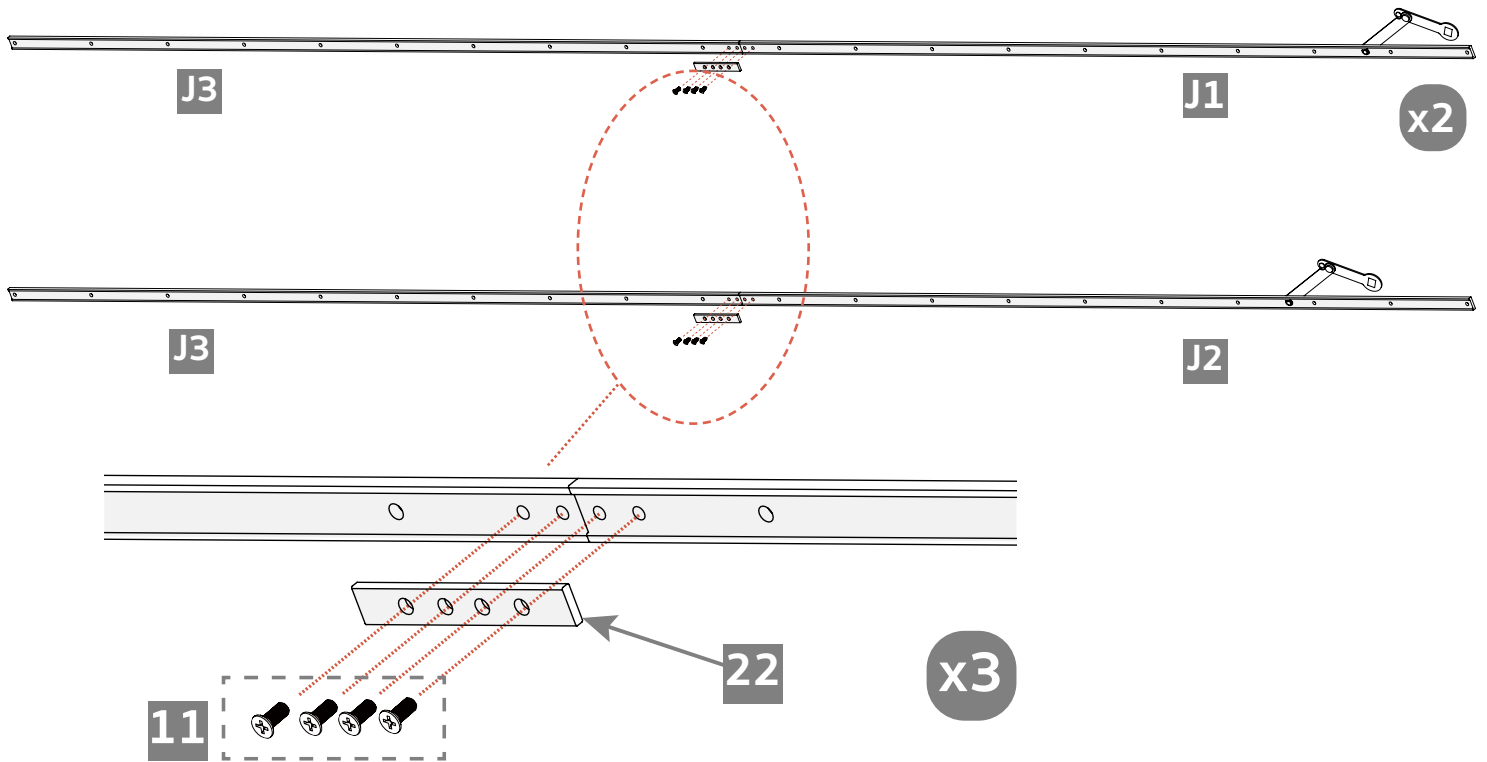
PARTS TO BE USED:



9a



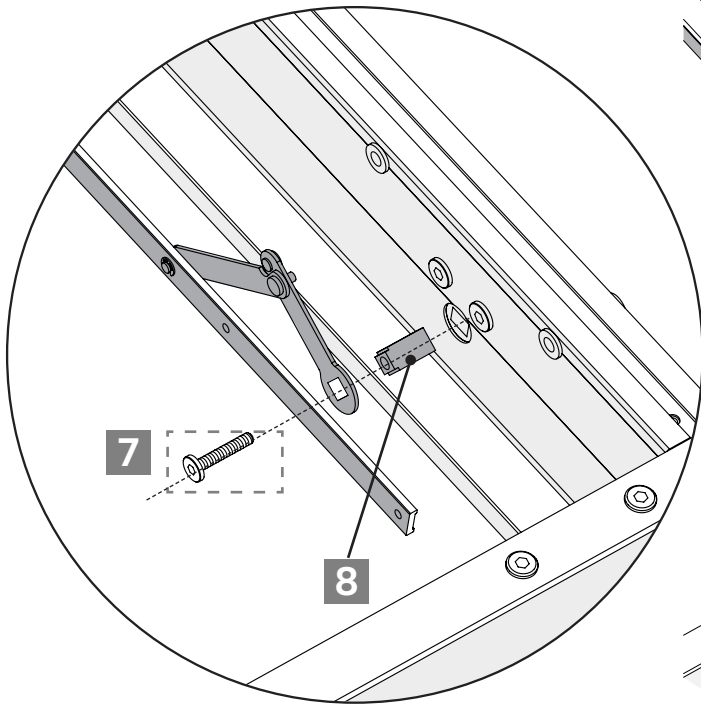
Connecting **J1**, **J2** and **J3** with connecting strip **22** and 12 screws **11**, using a cordless screwdriver.



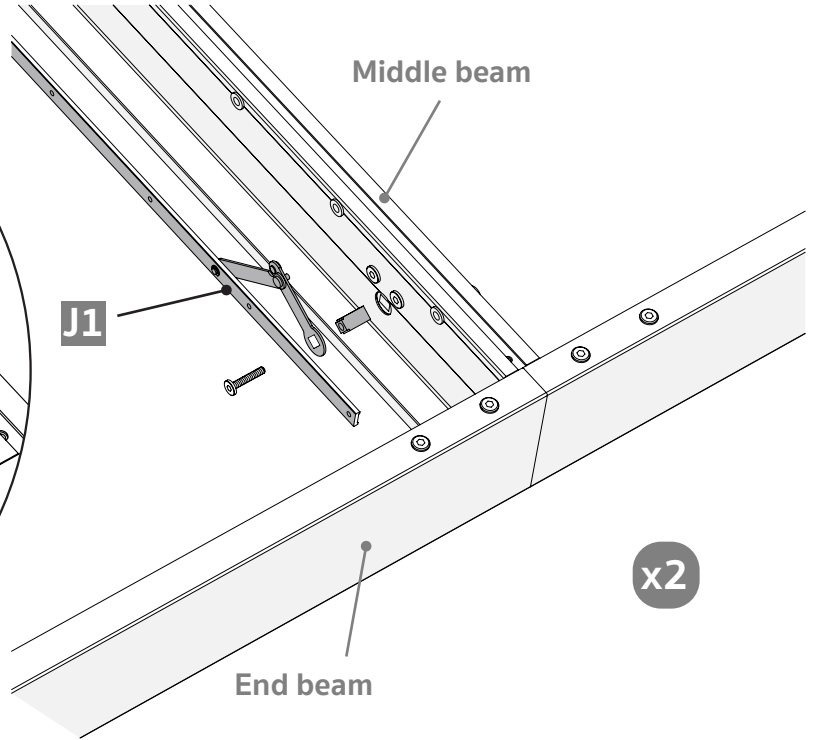
9b



Insert the drive shaft **8** into the gearbox on middle beam. Screw the control arm to gearbox with screws **7**, using a M4 hex key.

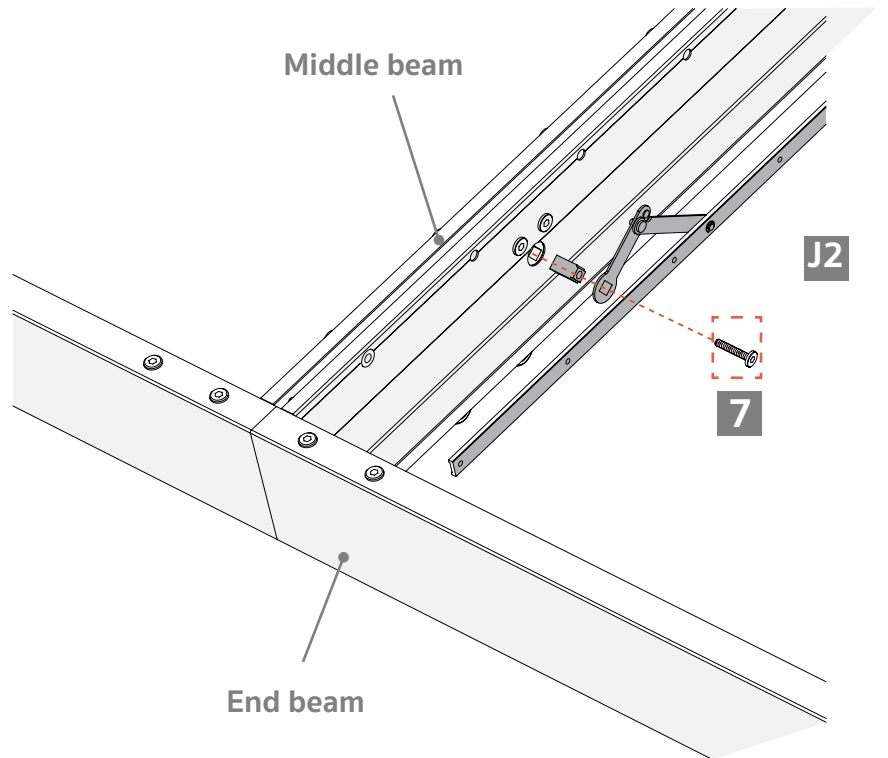


No washer here









ATTENTION

Install control arm **J1** and **J2** as the direction shown in the pictures.




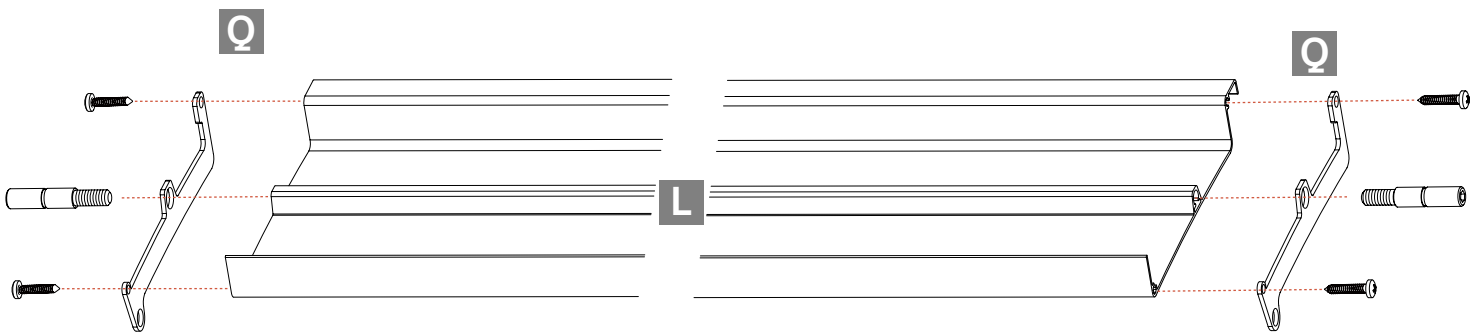
10 Install the louvers

PARTS TO BE USED:


Ref	Projection	Projection		Ref	Projection
		10ft. / 3m	12ft. / 3.65m		
L 	60 pcs	75 pcs	17 	60 pcs	75 pcs
Q 	120 pcs	150 pcs	18 	60 pcs	75 pcs
4 	240 pcs	300 pcs	19 	120 pcs	150 pcs

10a

 Attach the louver end caps **Q** to each end of the louvers **L** with screws **4**, using a cordless screwdriver. Screw louver plug **19** into the groove of louver **L** with **M5 hex bit**.

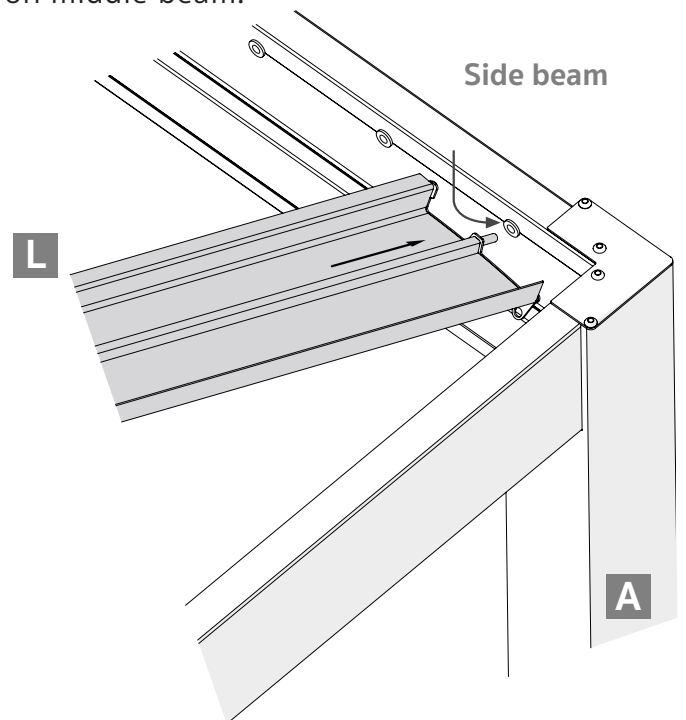
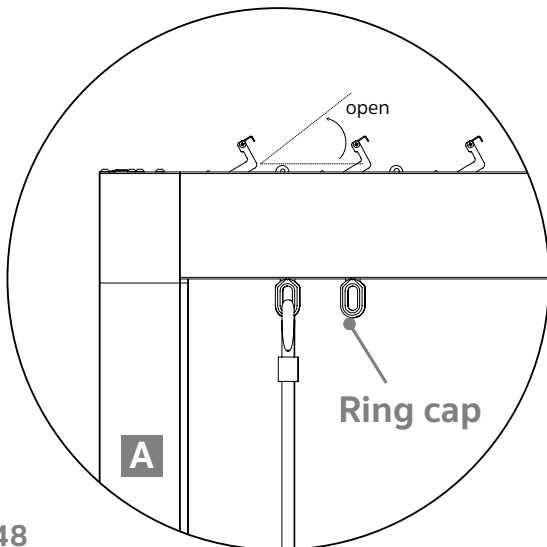


10b

 Slide the louver at a slight angle into the holes on the side beam. Push the louver through as far as possible so that it fits into the middle beam on the other side. Lower the louver slightly until you can slide this into the holes on middle beam.

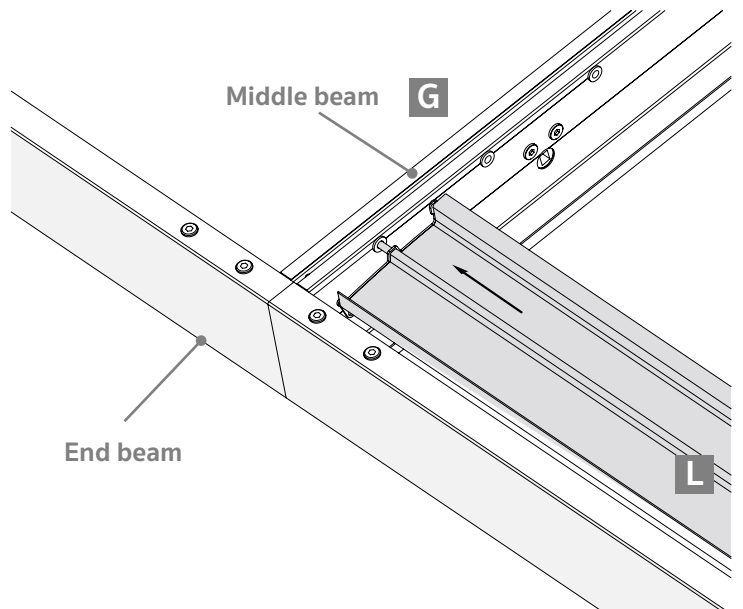
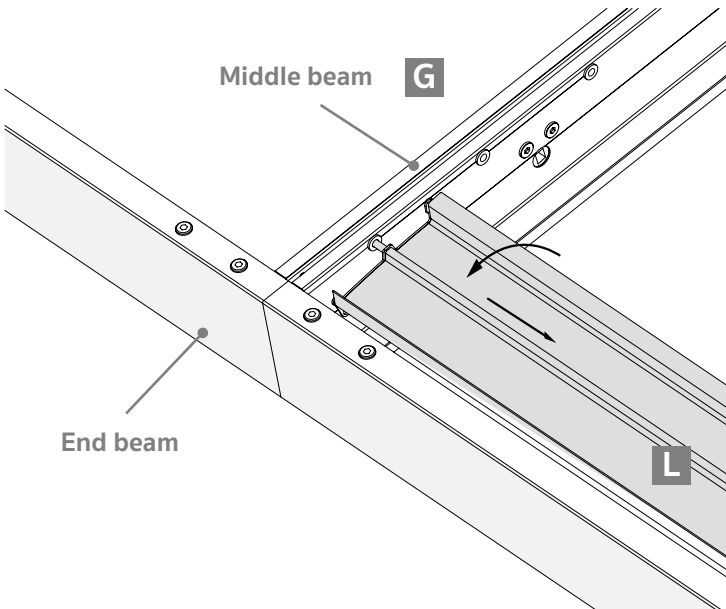
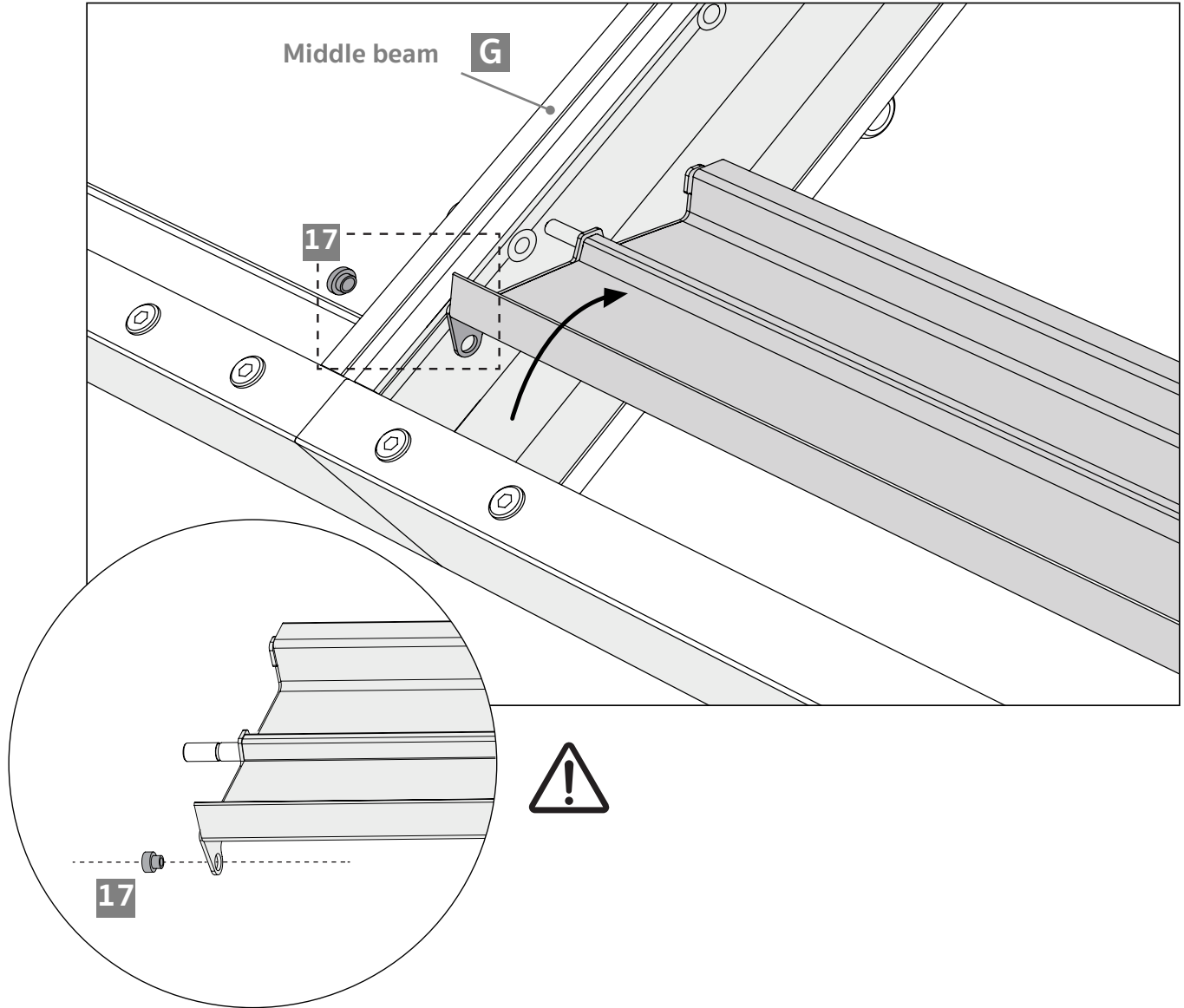


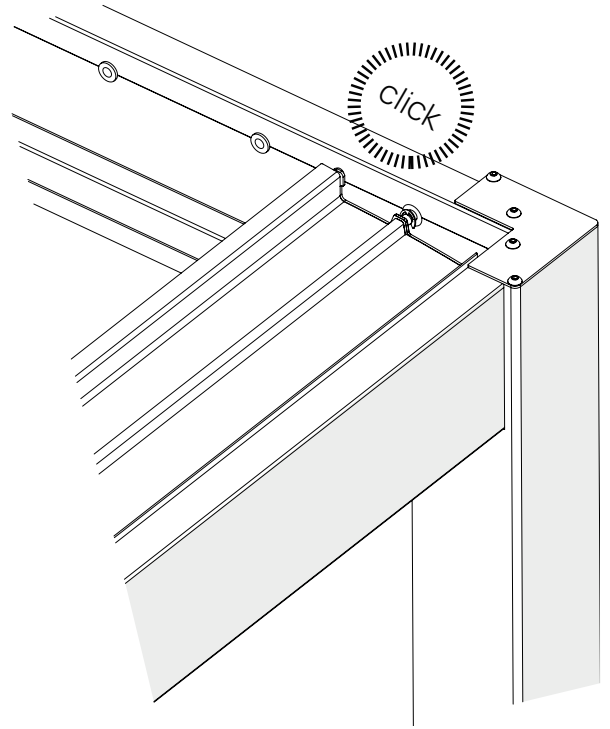
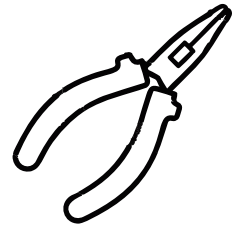
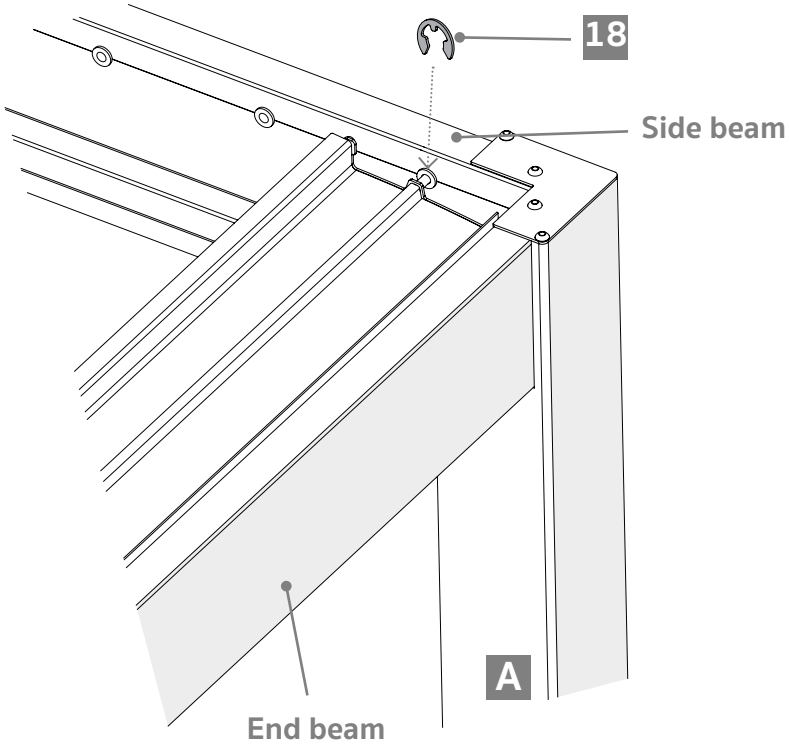
ATTENTION
Refer to this direction to install the louvers.



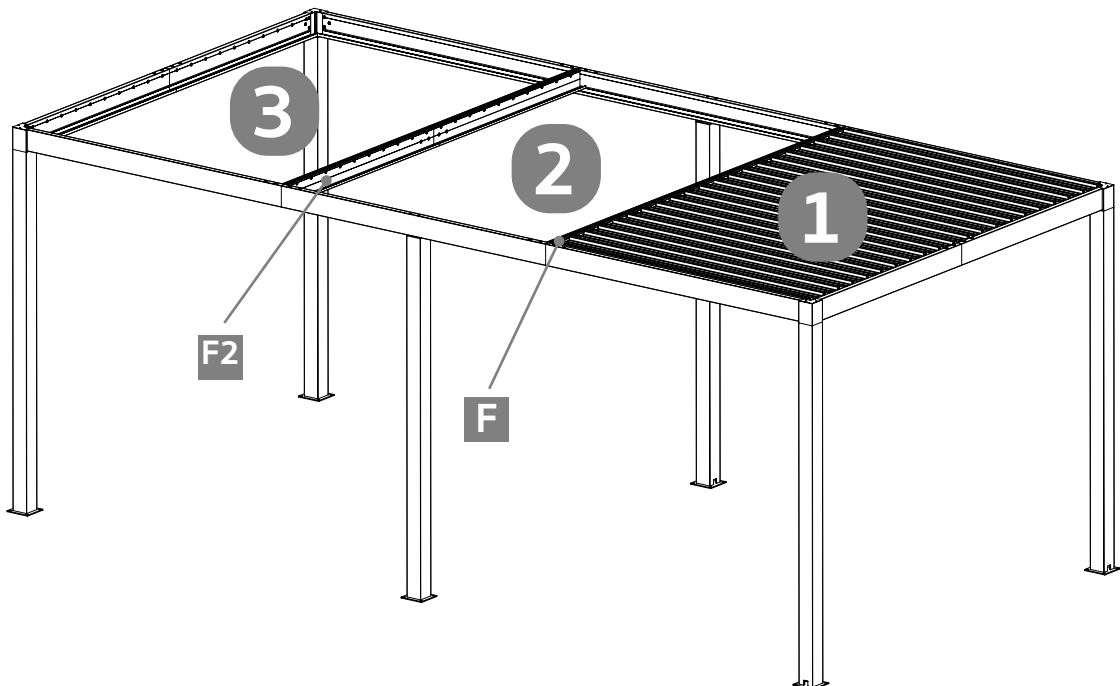


Before installing the louvers into the holes on the beam, insert plastic washer **17** into the louver end cap **Q** on the side closest to the drive rod (J1, J2, J3). Plastic washer **17** is not required on the side away from the drive rods (J1, J2, J3).

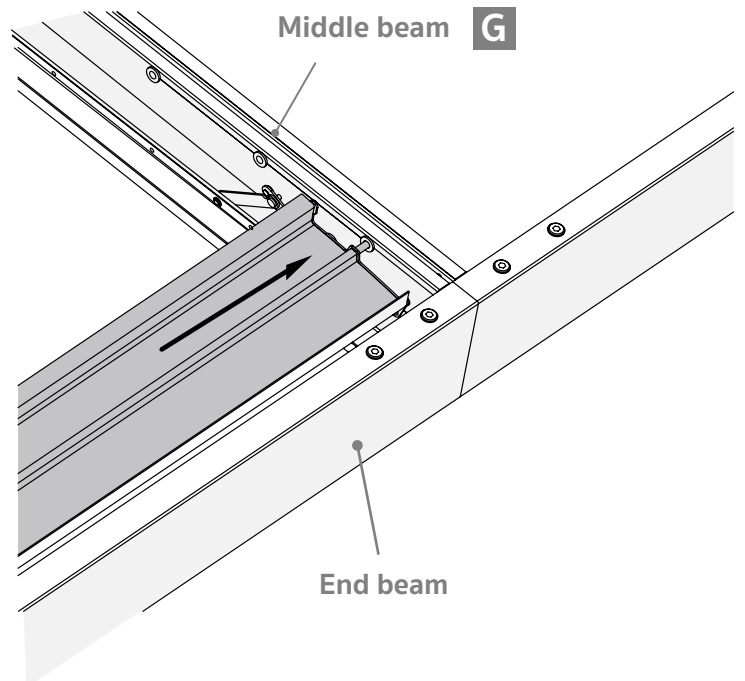
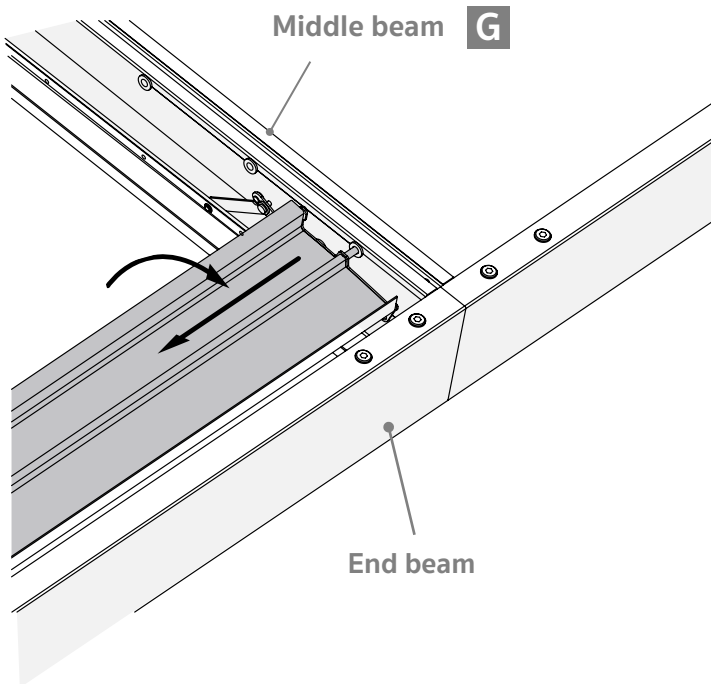
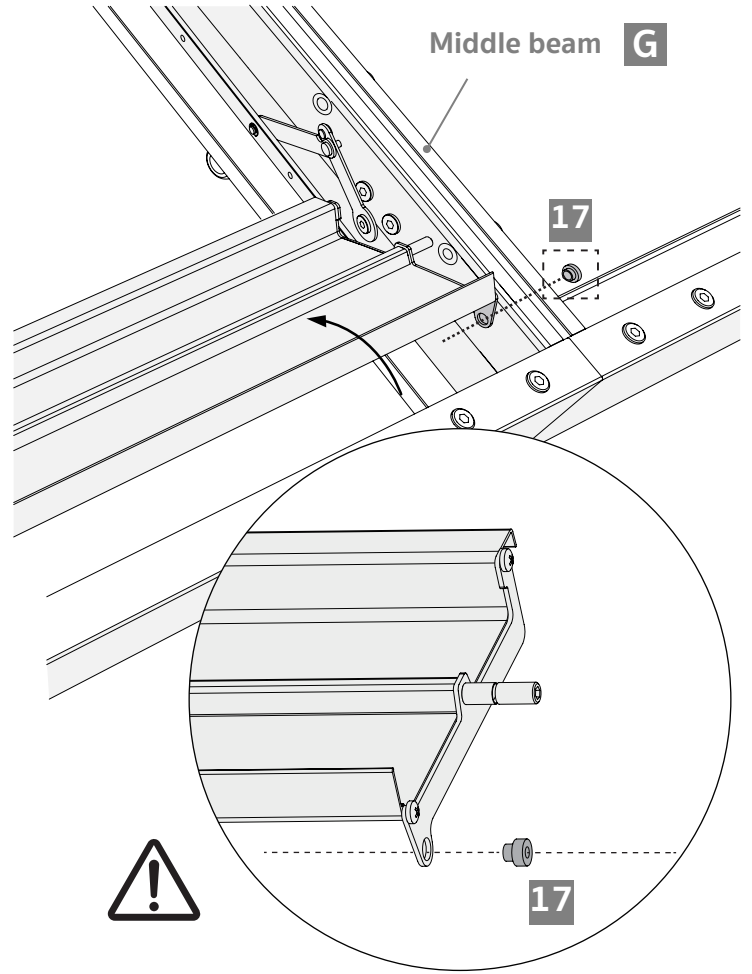
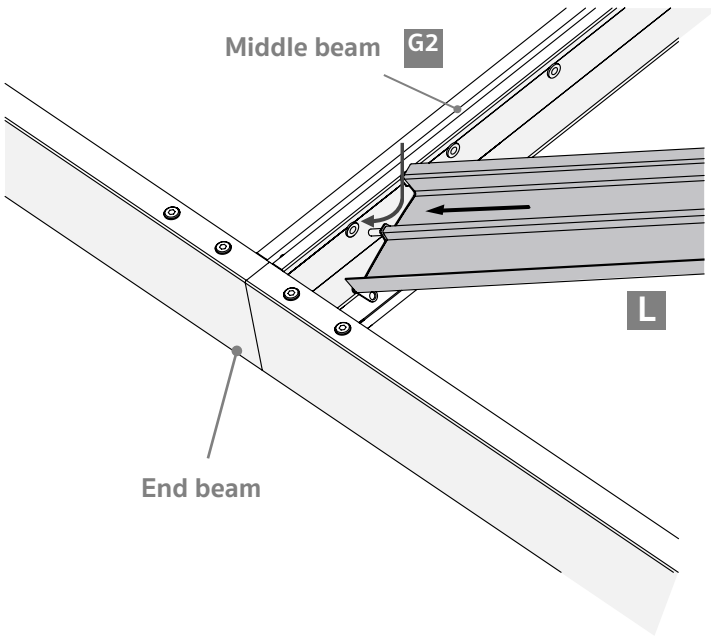


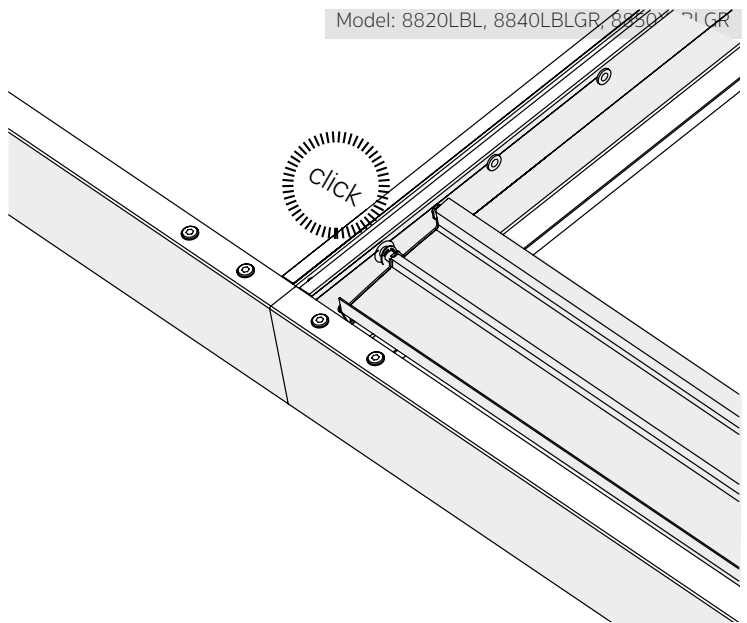
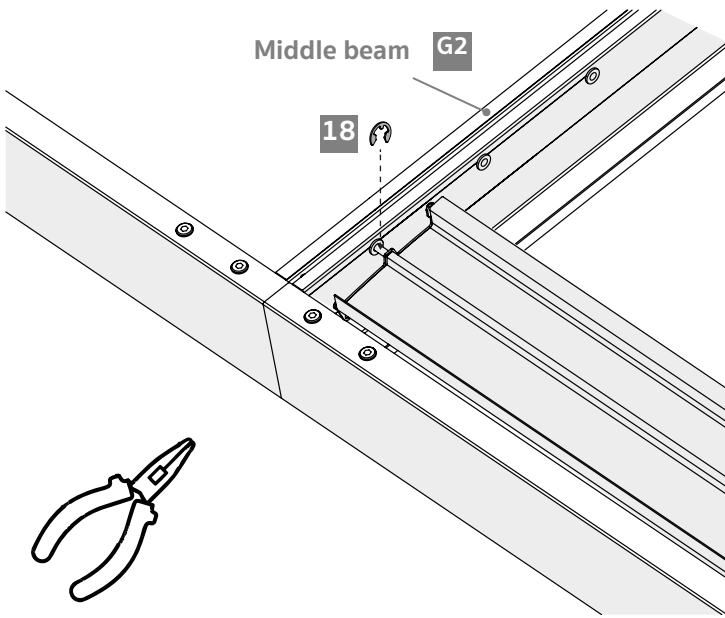


Complete the installation of the louvers for the module 1.

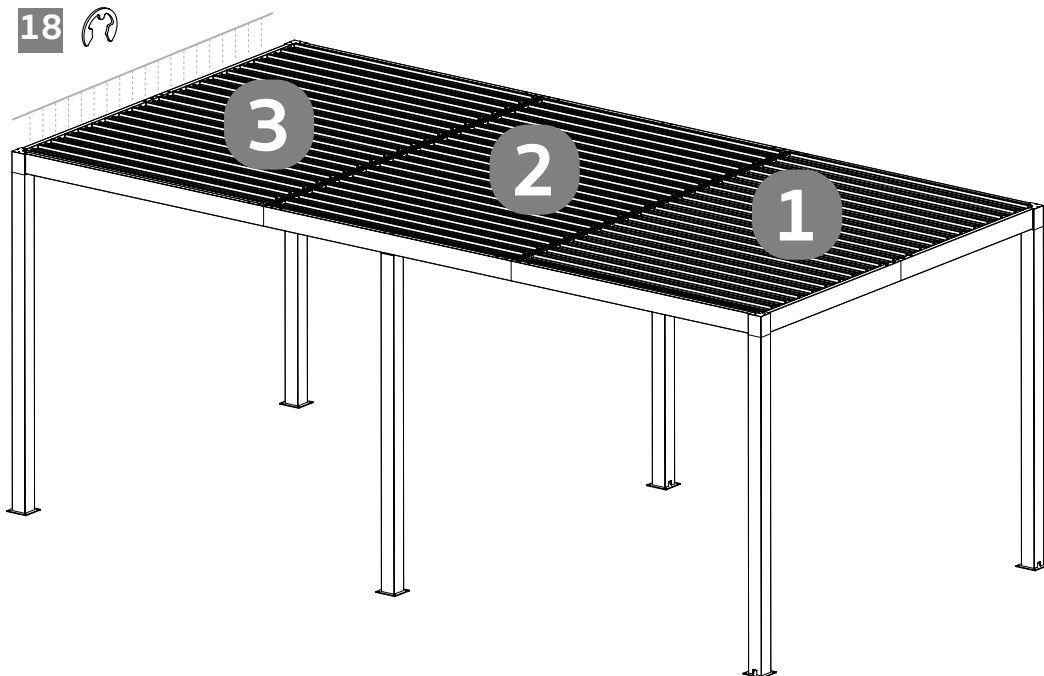
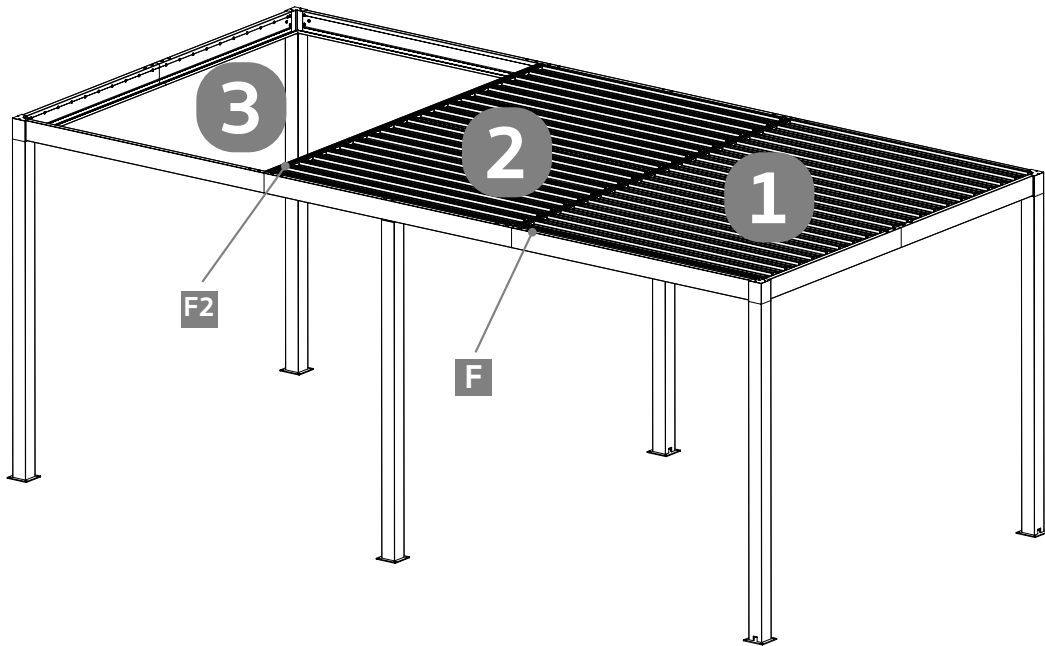


10c





Complete the installation of the louvers for the module 2 and repeat **step 9B** to complete installation of the louvers for the module 3.



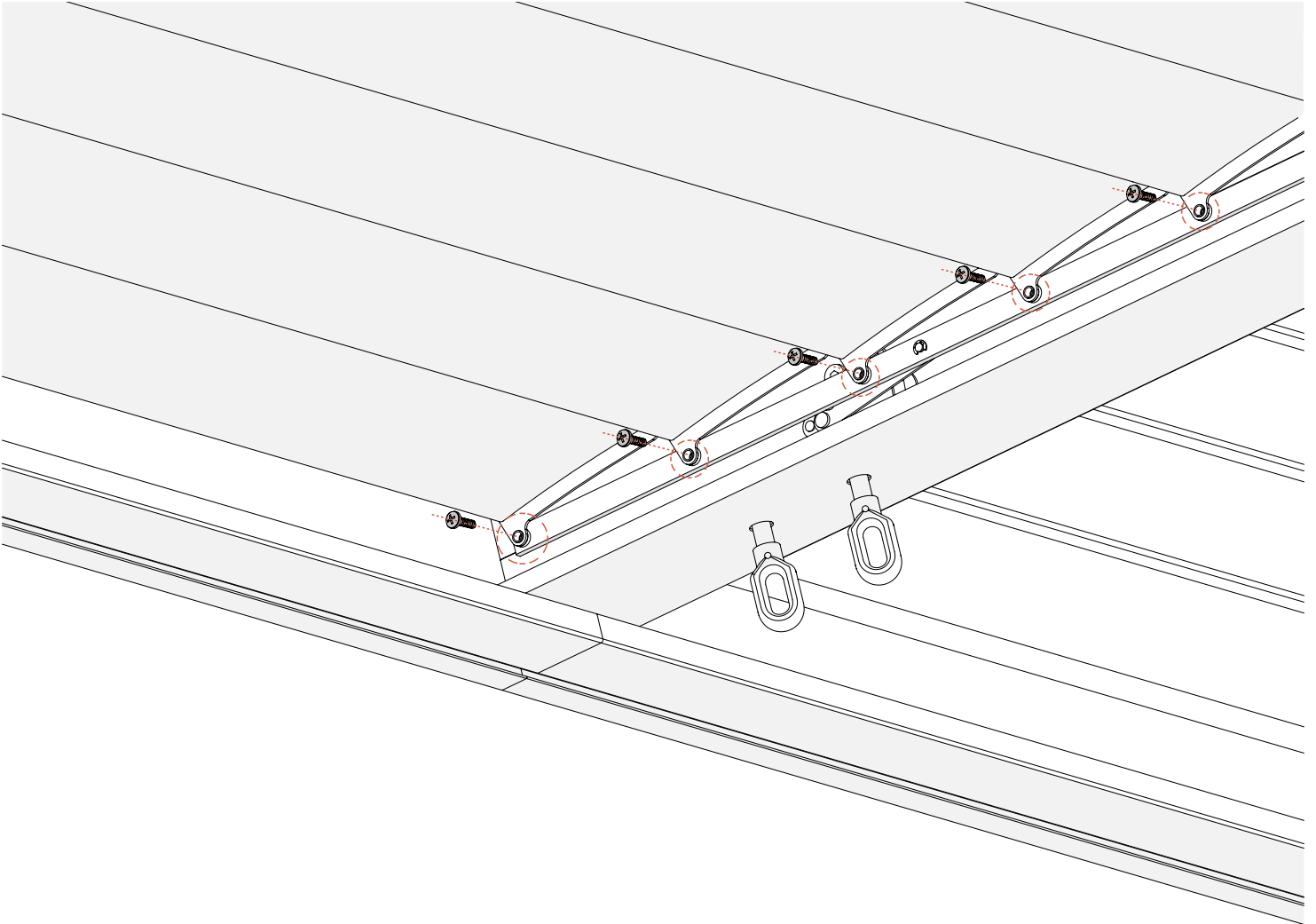
PARTS TO BE USED:

Ref	Projection	Projection	
		10ft. / 3m	12ft. / 3.65m
9		60 pcs	75 pcs

10d



Connect the louver end caps **Q** and connecting strip with screws **9**, using the M4 hex bit.

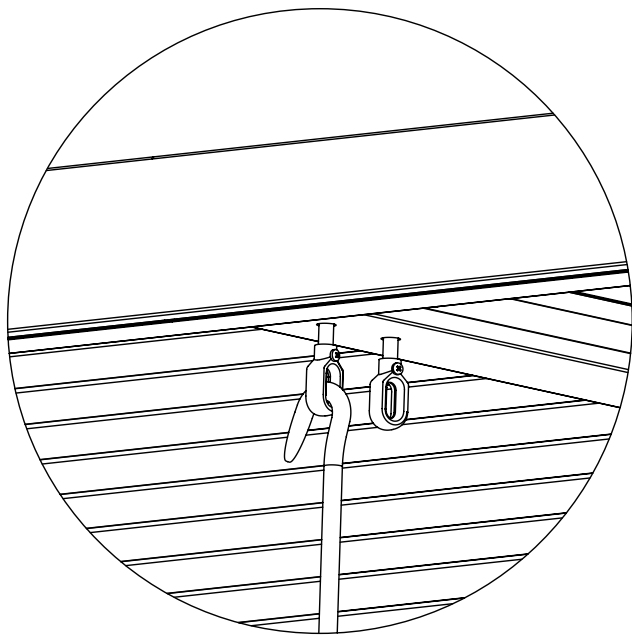
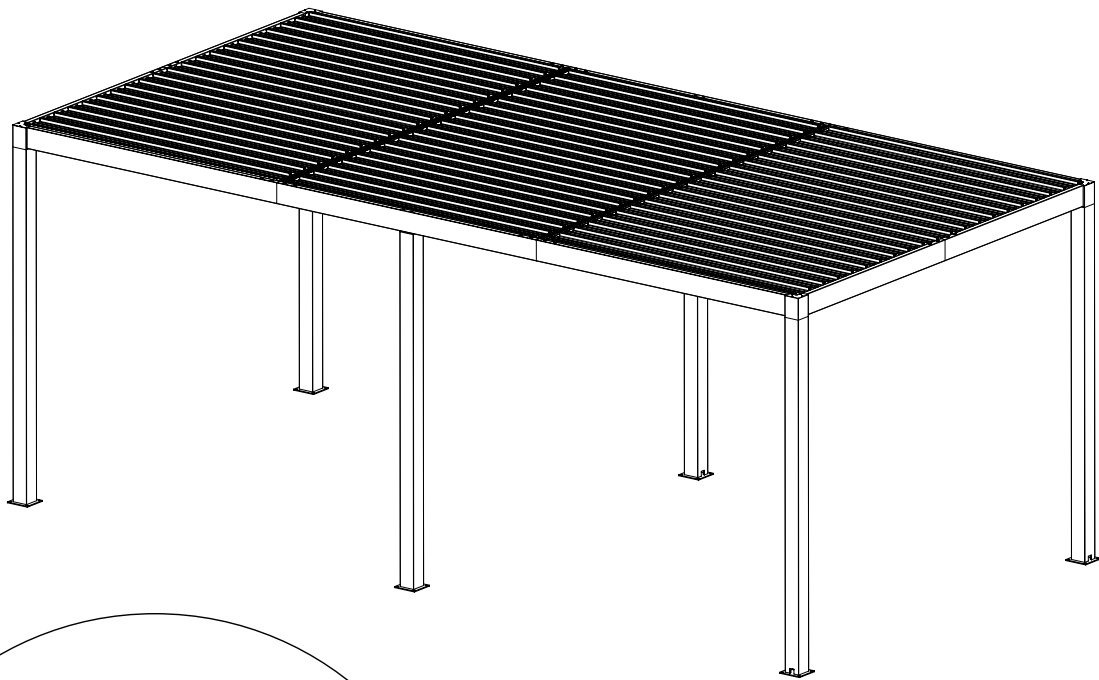


When tightening Screw #9 with a power drill, do not use a high-torque setting. Set the drill torque level to 10 or lower to avoid overtightening.

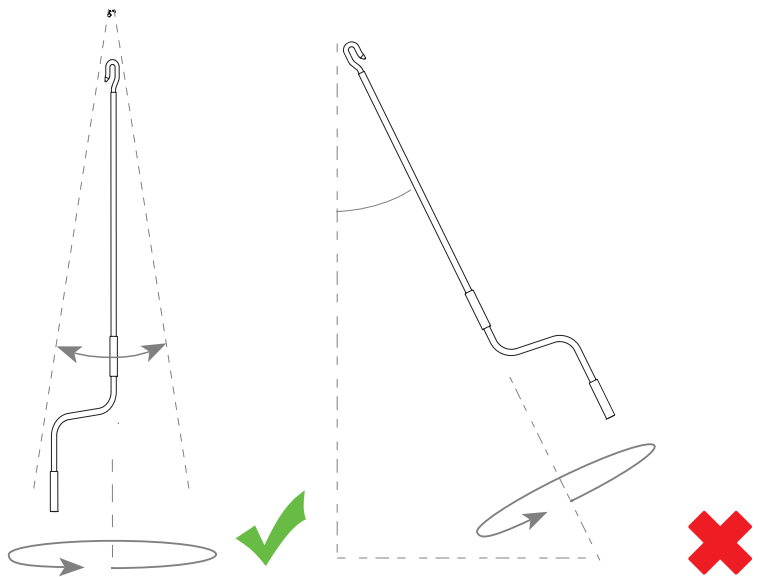
After all #9 screws are installed, check that the louvers rotate smoothly and freely. If rotation feels tight or obstructed, adjust the screws before continuing installation.

11

End of installtion



K

**Manual Crank Operation Warning**

The manual crank is designed for smooth and easy operation. If you feel unusual resistance while turning the crank, stop immediately and check whether any transmission components are blocked.


Do not force the crank.

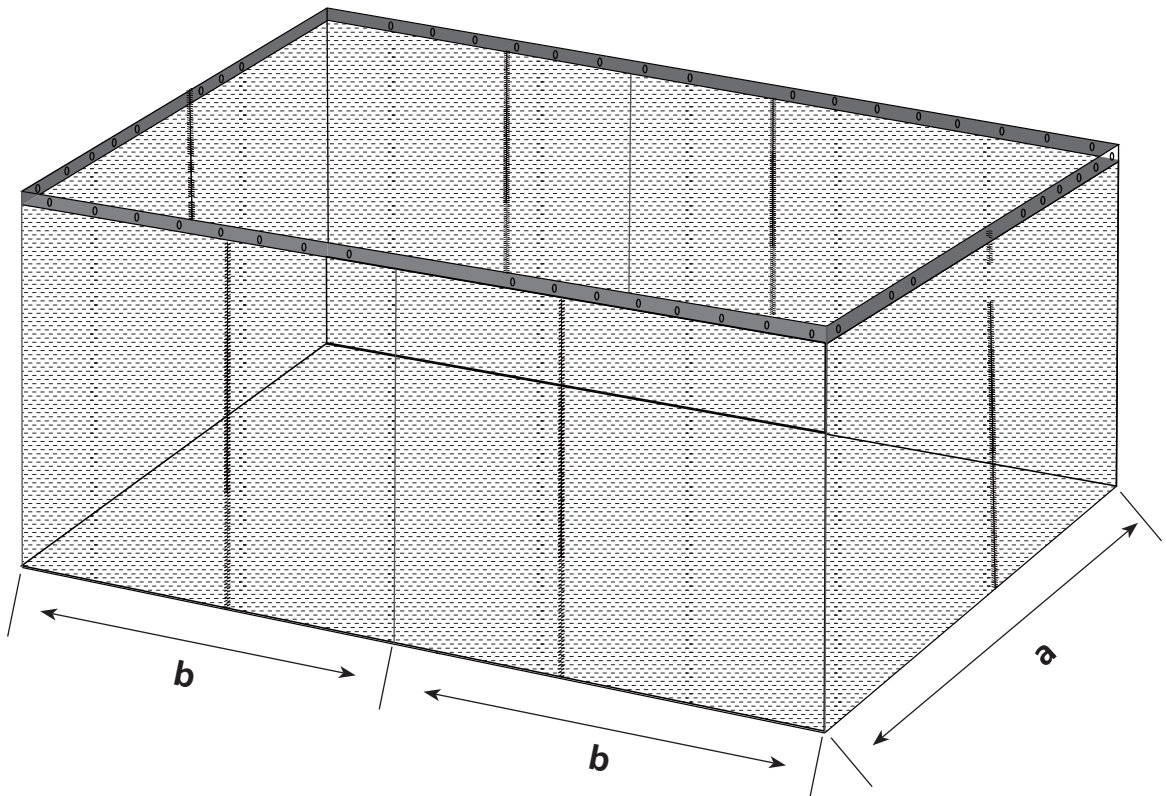
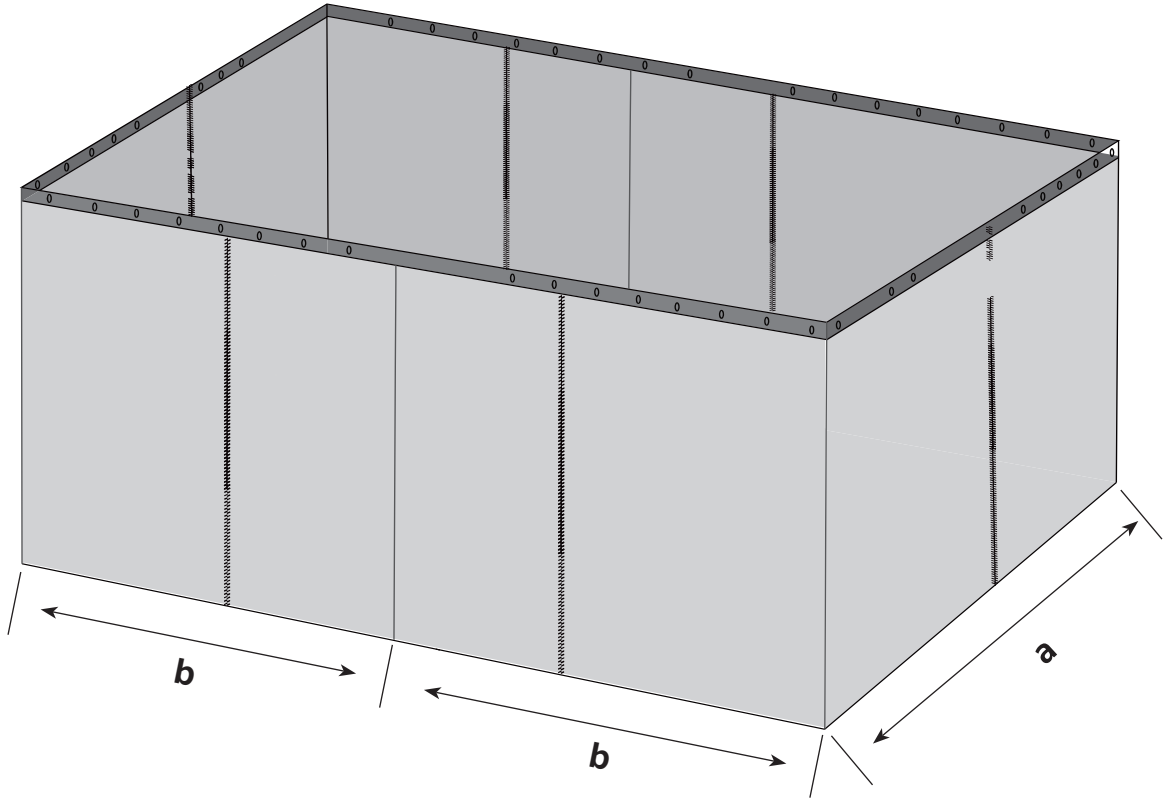
Continuing to operate the crank under heavy resistance may cause damage to the J1 or J2 transmission components.

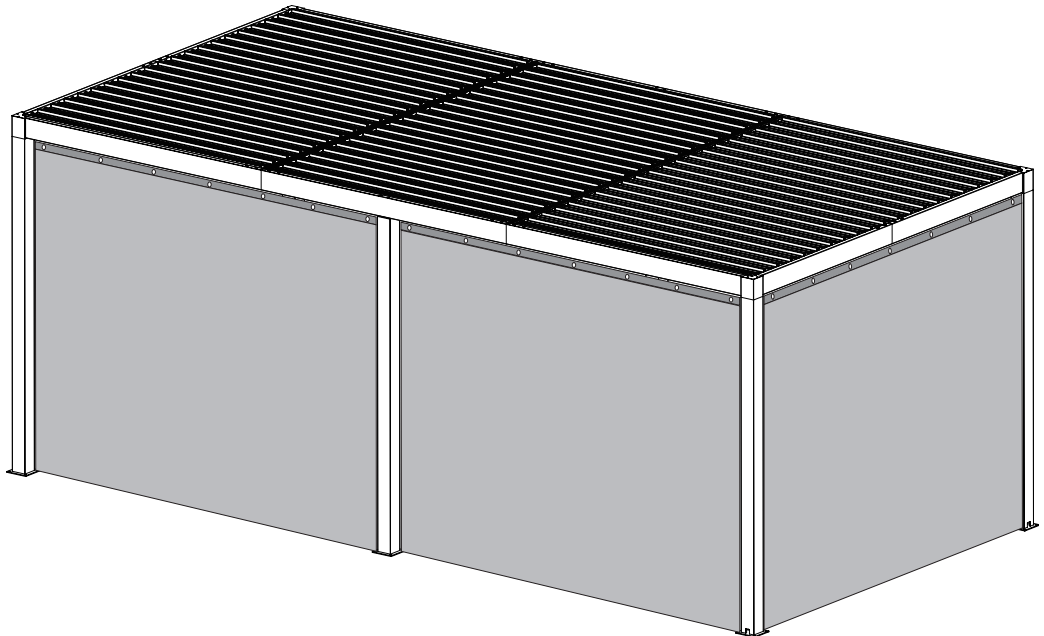
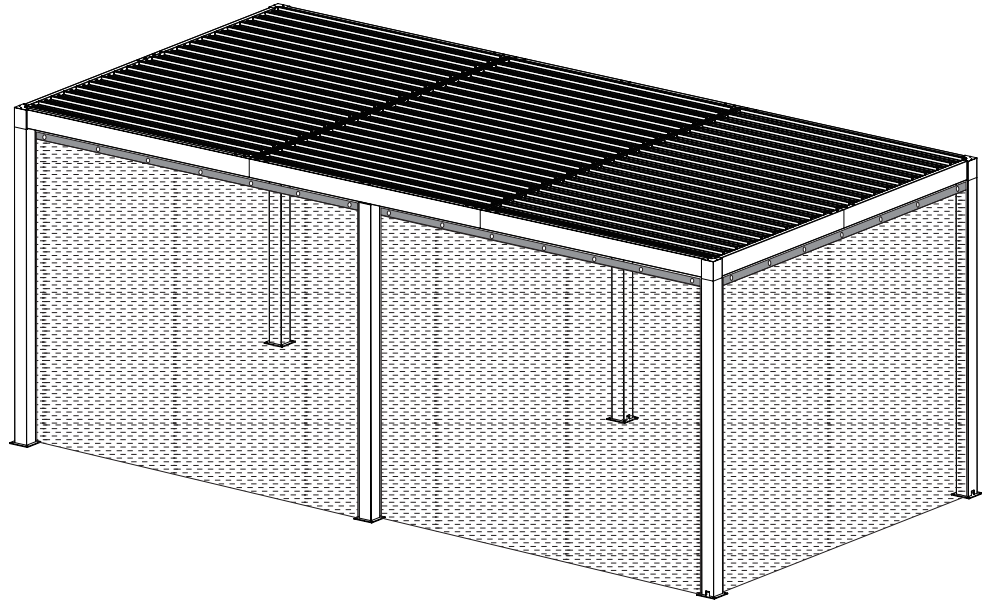
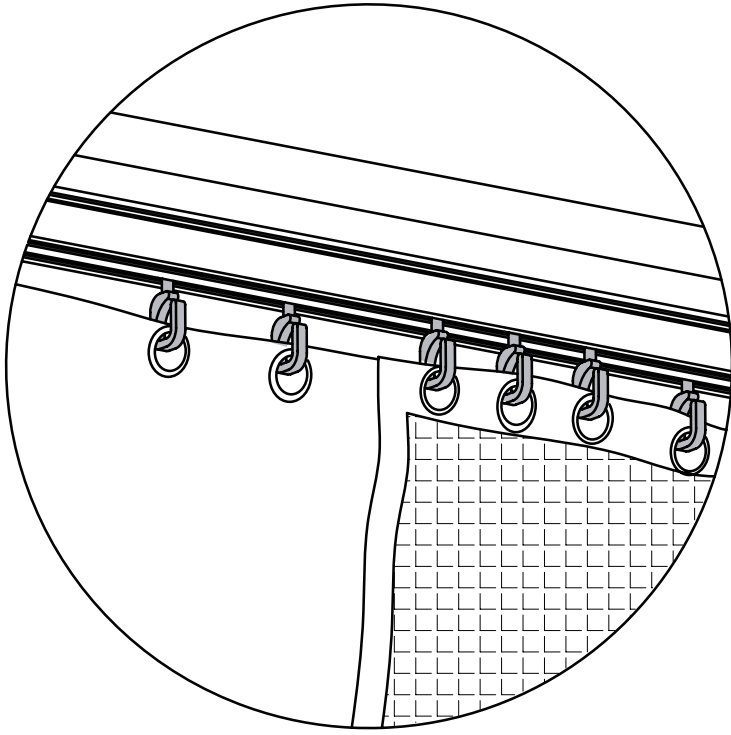
20'x10' with curtains & 20'x12' with curtains

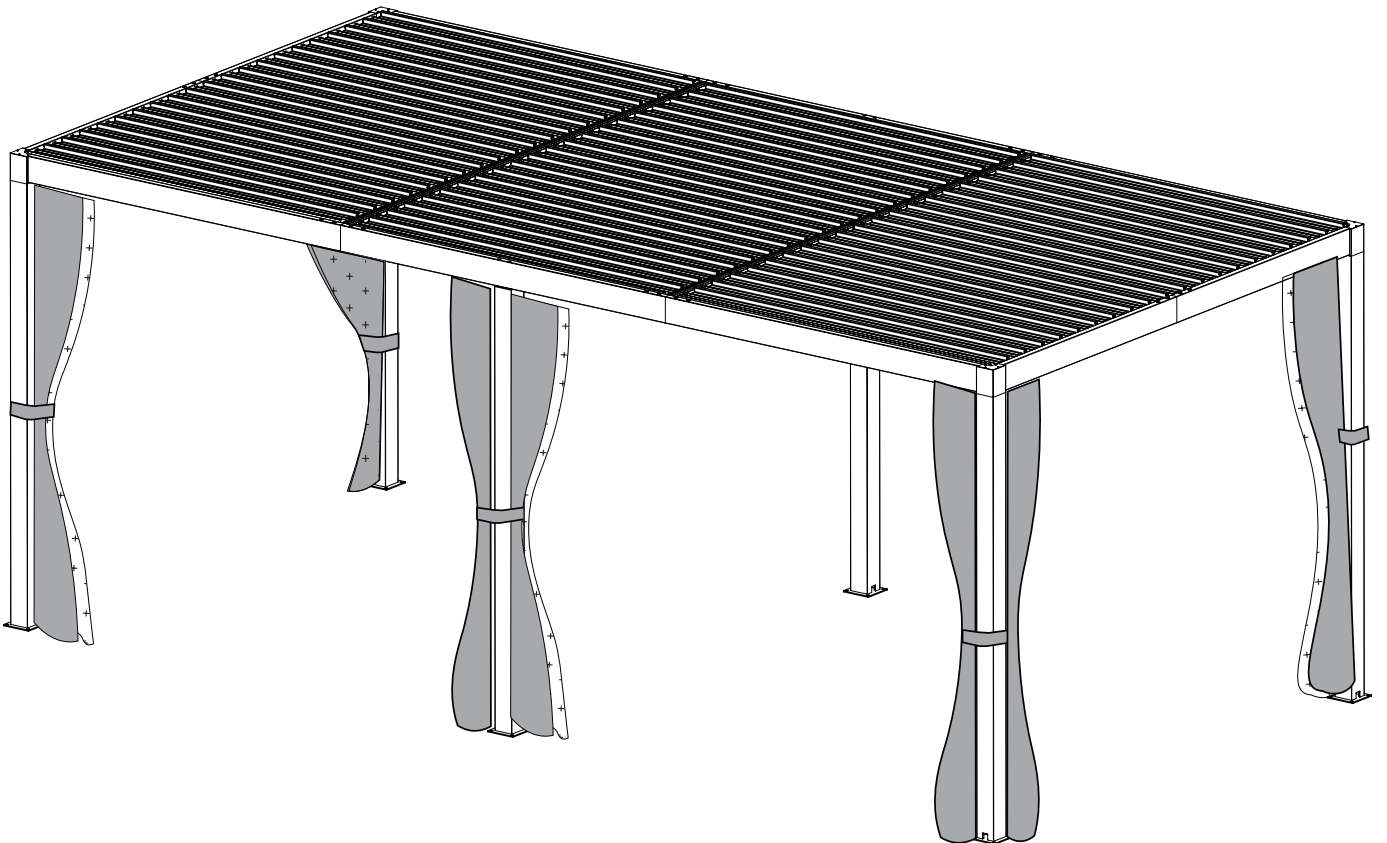
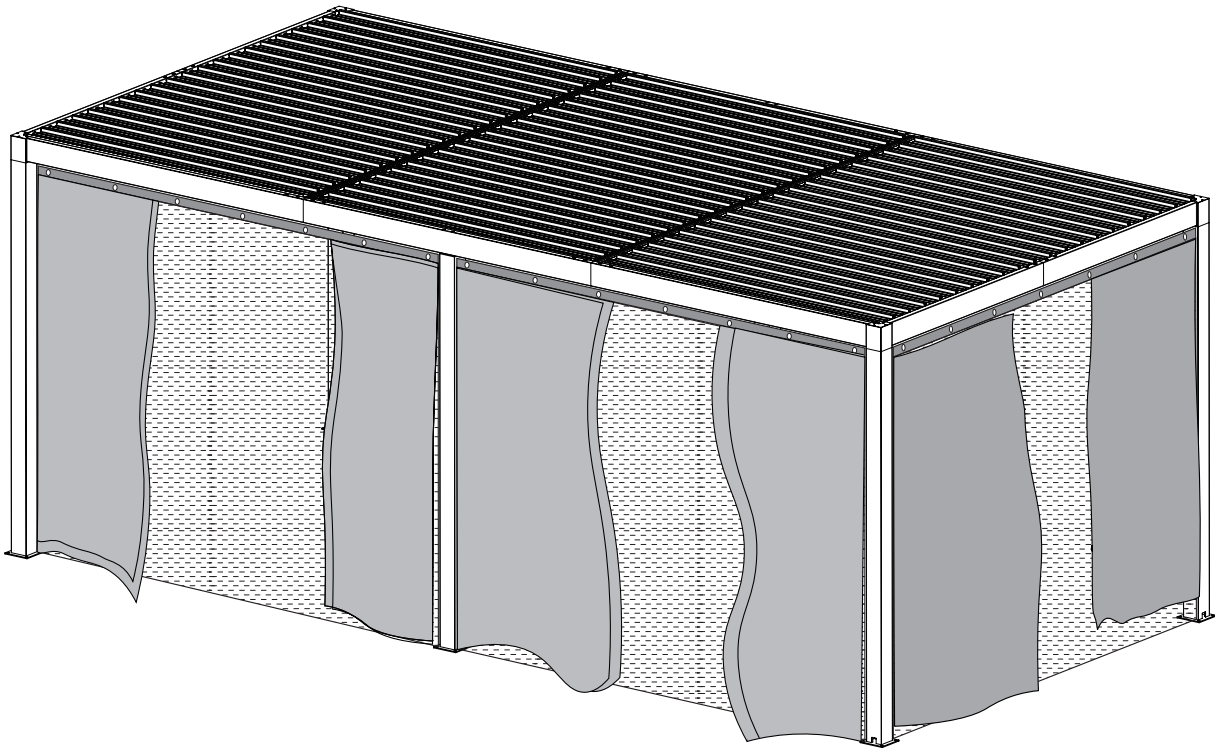
12

Install the curtain and netting

 Identify the edges of the curtains and mesh that match the pergola's size, then hang the metal rings at the top of each curtain and mesh onto the plastic hooks **3**, one by one.







GENERAL CARE & MAINTENANCE

1. Check all bolts for tightness before use. Check and tighten bolts at least once in half a year to ensure your pergola works properly to extend service life.
2. Pergola does not need to be painted, varnished, or otherwise cared for in any way. Just keep your aluminum pergola clean. Use normal detergent and water for cleaning. Be careful not to use wire brushes or sharp objects for cleaning.
3. Clean debris such as fallen leaves regularly to prevent them from blocking the drain.
4. Do not set all the louvers blades upright immediately after rain in case of ponding on the louver blades pour.
5. If the weather forecasts snowstorm or high winds, please open the louver blades in advance and remove manual cranks or other unnecessary accessories to avoid potential damage to your pergola.
6. Do not allow snow to accumulate on the louver roof. Don't control louver blades on a frost or snowy day. Remove all the louver blades before the blizzard or other natural disasters.

