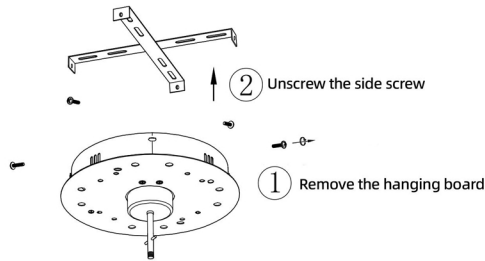
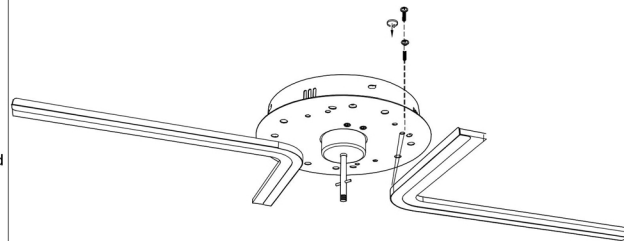


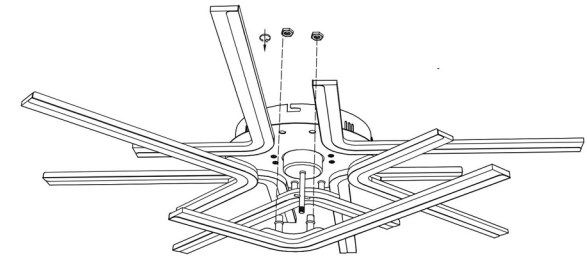
# The installation steps for the ceiling light are as follows



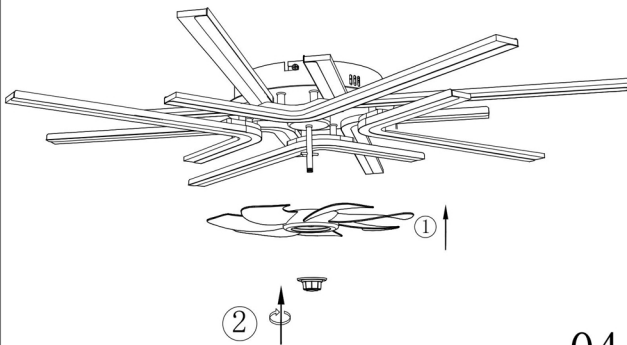
01



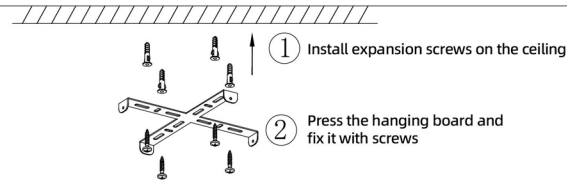
02



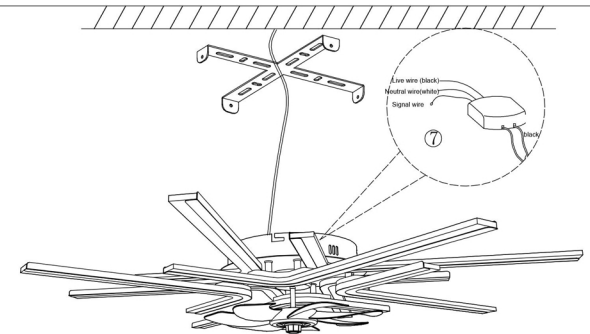
03



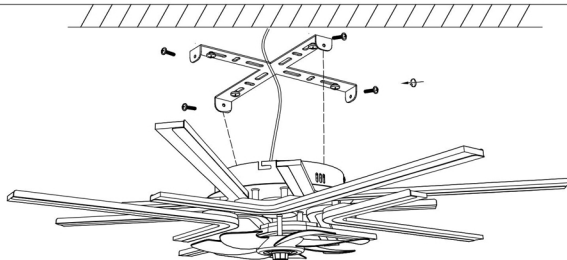
04



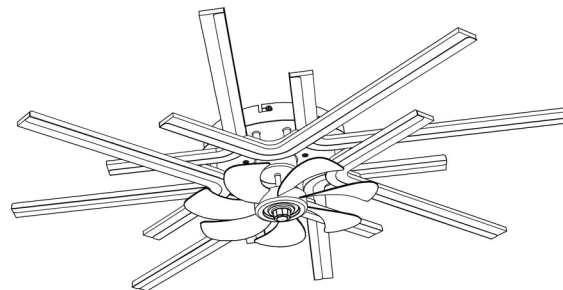
05



06



07



08

**CAUTION:**  
**Electrical Hazard!**  
Never work on live circuits.

Power must be turned off before installation. Do not cover the lamp body or obstruct heat dissipation. Not suitable for use in damp areas (such as bathrooms). Keep this product out of reach of children. Do not disassemble or repair without authorization.

This product is classified as electrical and electronic equipment and must not be disposed of with household waste. Please take it to an authorized collection point for used equipment in accordance with local regulations. Proper disposal helps protect the environment and prevents health hazards.