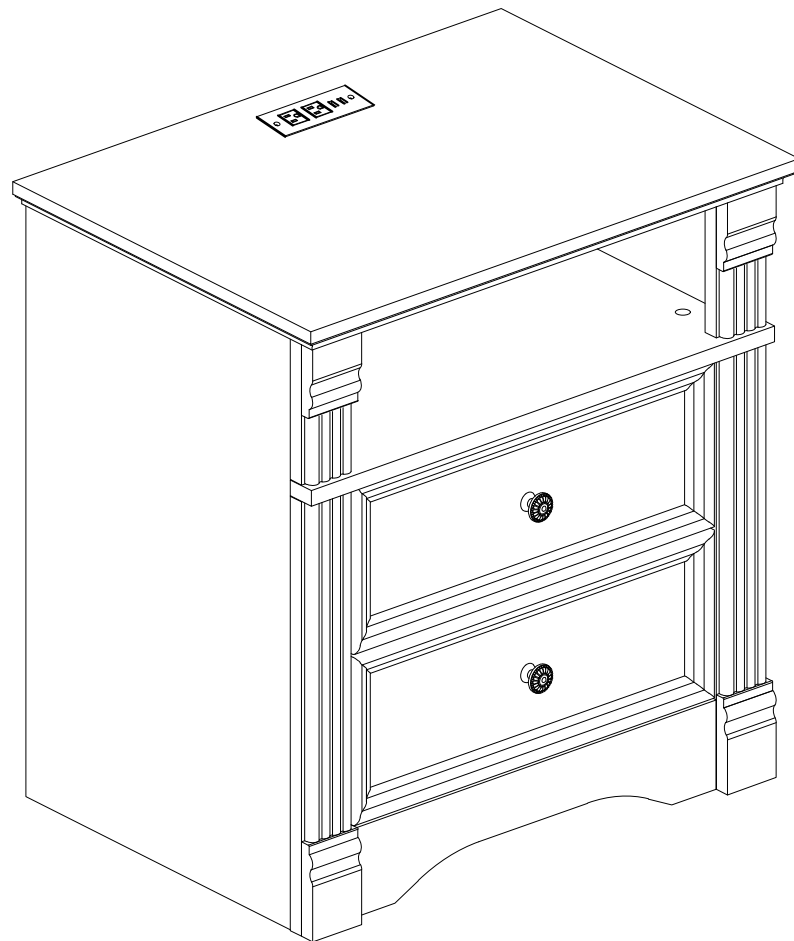
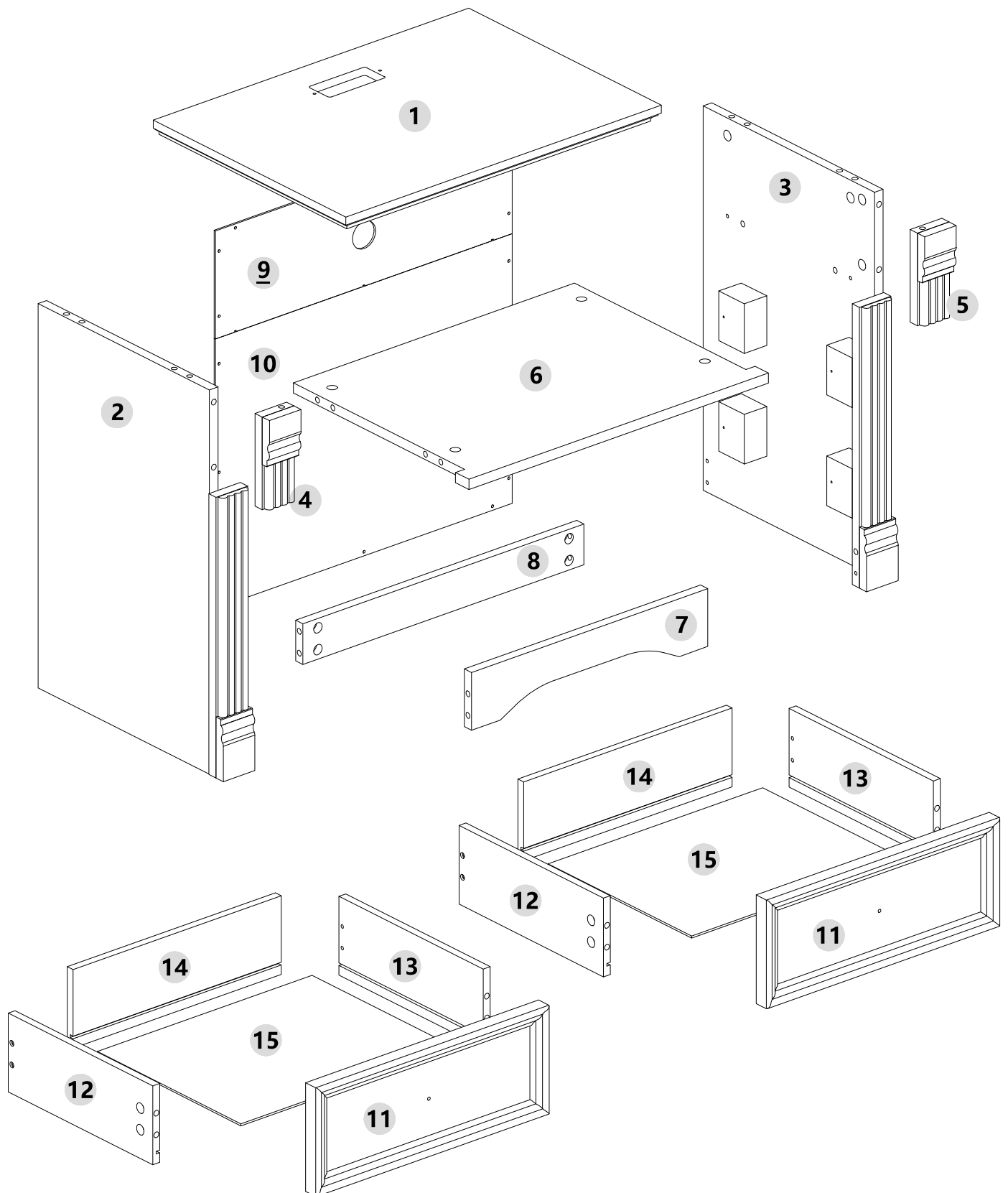


2 Drawer Dresser Installation Instructions



PACKAGE INCLUDE

KEEP THE NUMBER STICKERS ON UNTIL FINISHED ASSEMBLING!

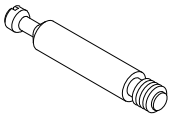


PART IDENTIFICATION

CODE	DESCRIPTION	QTY
1	Top panel	1
2	Left side panel	1
3	Right side panel	1
4	Left side decoration	1
5	Right side decoration	1
6	Middle layer board	1
7	Front leg stretcher	1
8	Back leg stretcher	1
9	Upper back panel	1
10	Lower back panel	1
11	Drawer front panel	2
12	Drawer left side panel	2
13	Drawer right side panel	2
14	Drawer back panel	2
15	Drawer base panel	2

PACKAGE CONTENTS

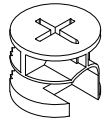
M6x34MM



A

26x+2

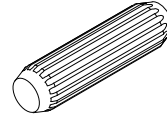
∅15x9.5MM



B

26x+2

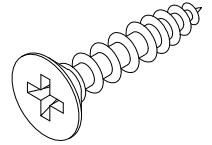
∅8x30MM



C

12x+1

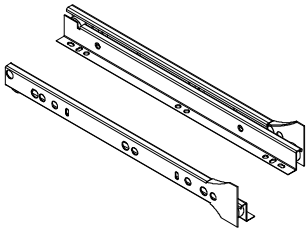
∅3.5x12MM



D

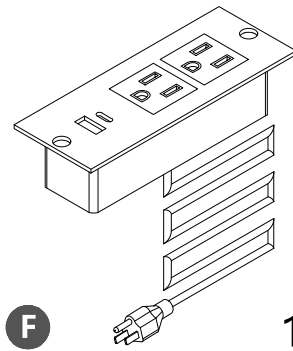
26x+2

12"



E

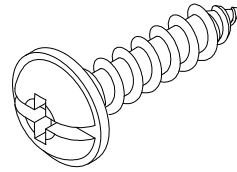
2x



F

1x

∅3.5x14MM



G

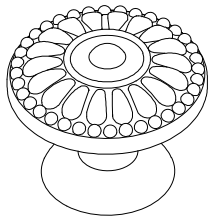
19x+2

∅3.5x35MM



H

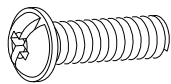
8x+1



I

2x

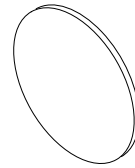
M4x16MM



J

2x

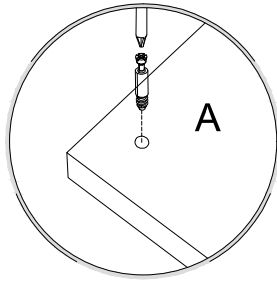
∅21



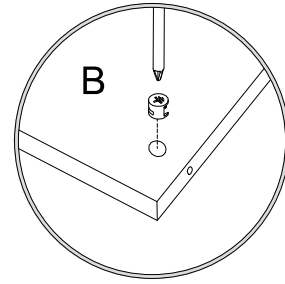
K

4x

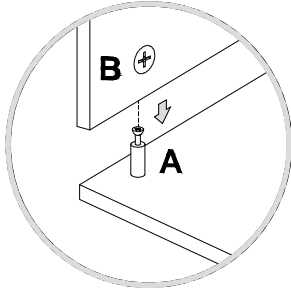
How do we finish the installation of the cam lock system?



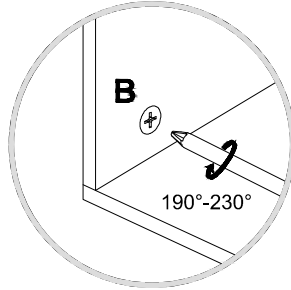
1. Screw a cam bolt A into the panel



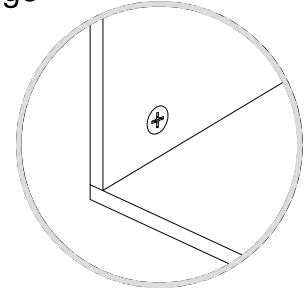
2. Push a cam B into the panel, make sure the arrow feature on the cam B points to the panel edge



3. Align cam bolt(s) A with cam(s) B and then insert cam bolt(s) A into cross-bored hole(s) completely

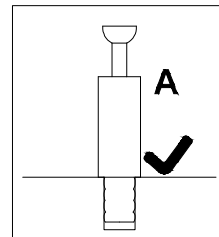
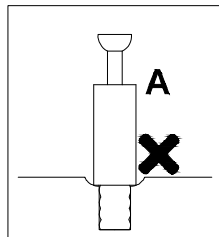
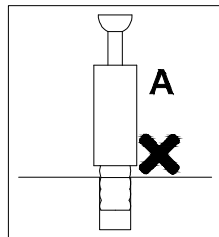
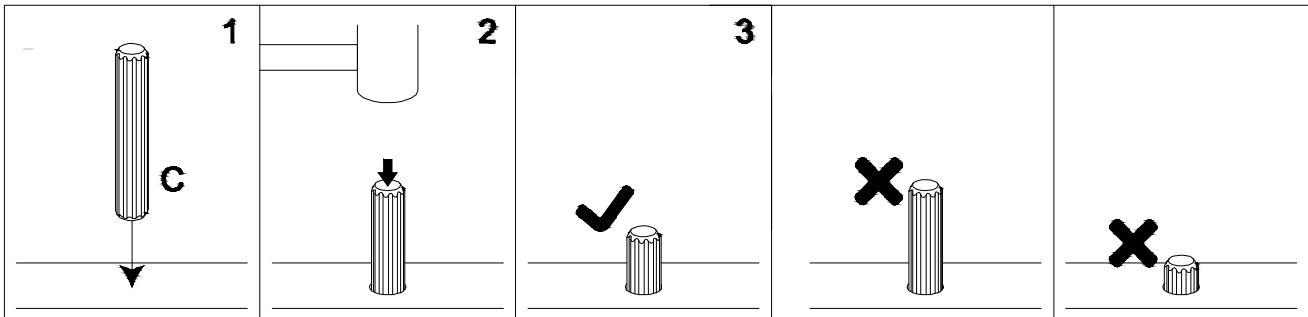


4. Rotate cam(s) B clockwise 190°-230° to lock 2 panels together



5. 2 panels should be tight against with each other and the connection should be rigid

Insert the wood dowel [C] at least half way by tapping lightly with a rubber mallet , IF NECESSARY.

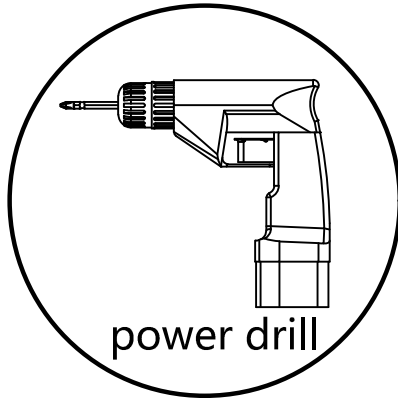


WARNING

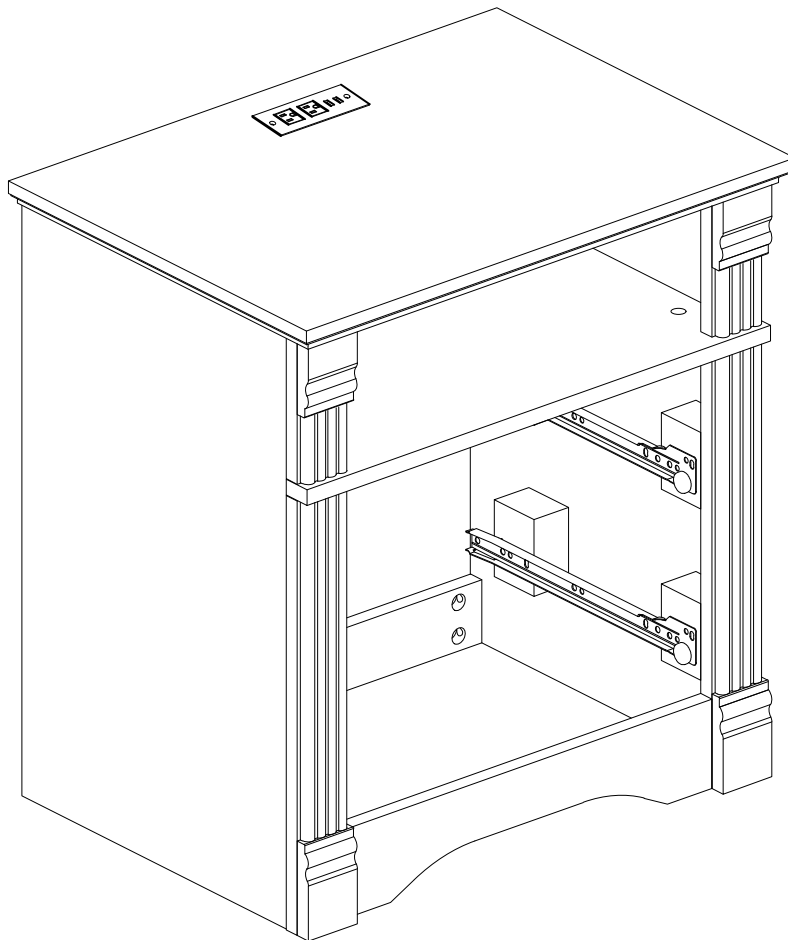
- Unit must be placed on a level surface or leveled with included hardware (when applicable) .
- Do not sit or stand on or allow children to climb, sit or stand on the assembled product.
- For safety reasons, it is imperative that this unit be mounted to the wall.
- Do not use without installing the tip restraint.
- Unit can tip over causing severe injury or death.
- Do not exceed the recommended weight limits.
- Evenly distribute the weight on each level and always keep the heavier loads on the bottom.
- Before cutting, drilling or hammering into any wall or floor surface, verify the location of electrical, plumbing and gas lines. Cutting may cause serious injury.

Ready to assemble the dresser

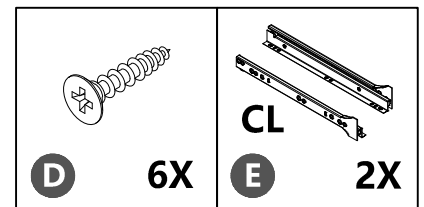
- Before installation, carefully inspect the structure of the 2-drawer dresser.
- The dresser consists of two main sections: the frame and the drawers.
- Start by assembling the frame first, then proceed to install the two drawers. Ensure that all track slides are aligned in the same direction, as shown in the finished image.



We recommend using a power drill to assemble.

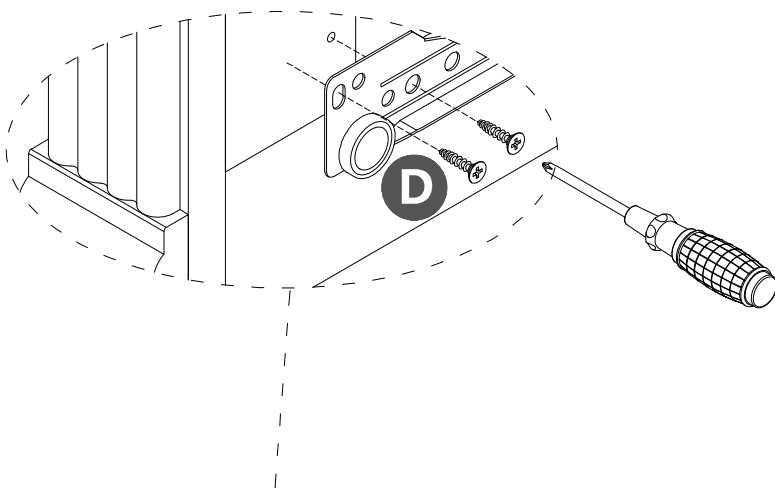
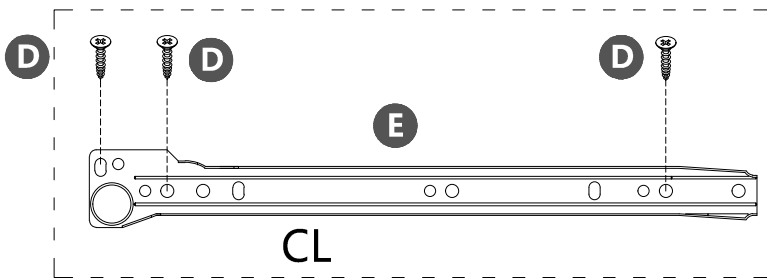


STEP 1-1

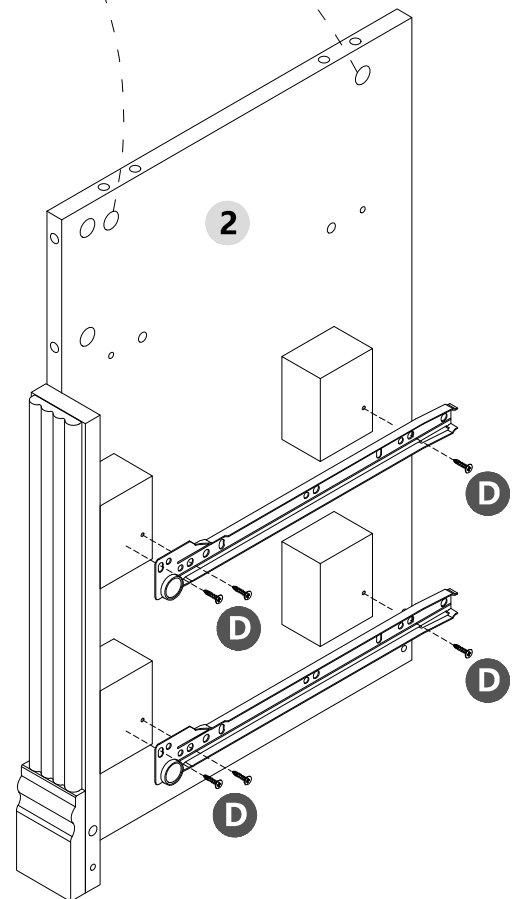


- Open the drawer slide packages (E) and take out the tracks labeled with the CL symbol. You will need to open 2 batches of (E) to obtain 2 CL tracks.
- Install the CL tracks onto the left side panel (2) using the screws (D), as shown in the image below.
- Ensure that the roller end of all tracks is facing down during installation.

Make sure the 2 large pre-drilled holes are on the upside.



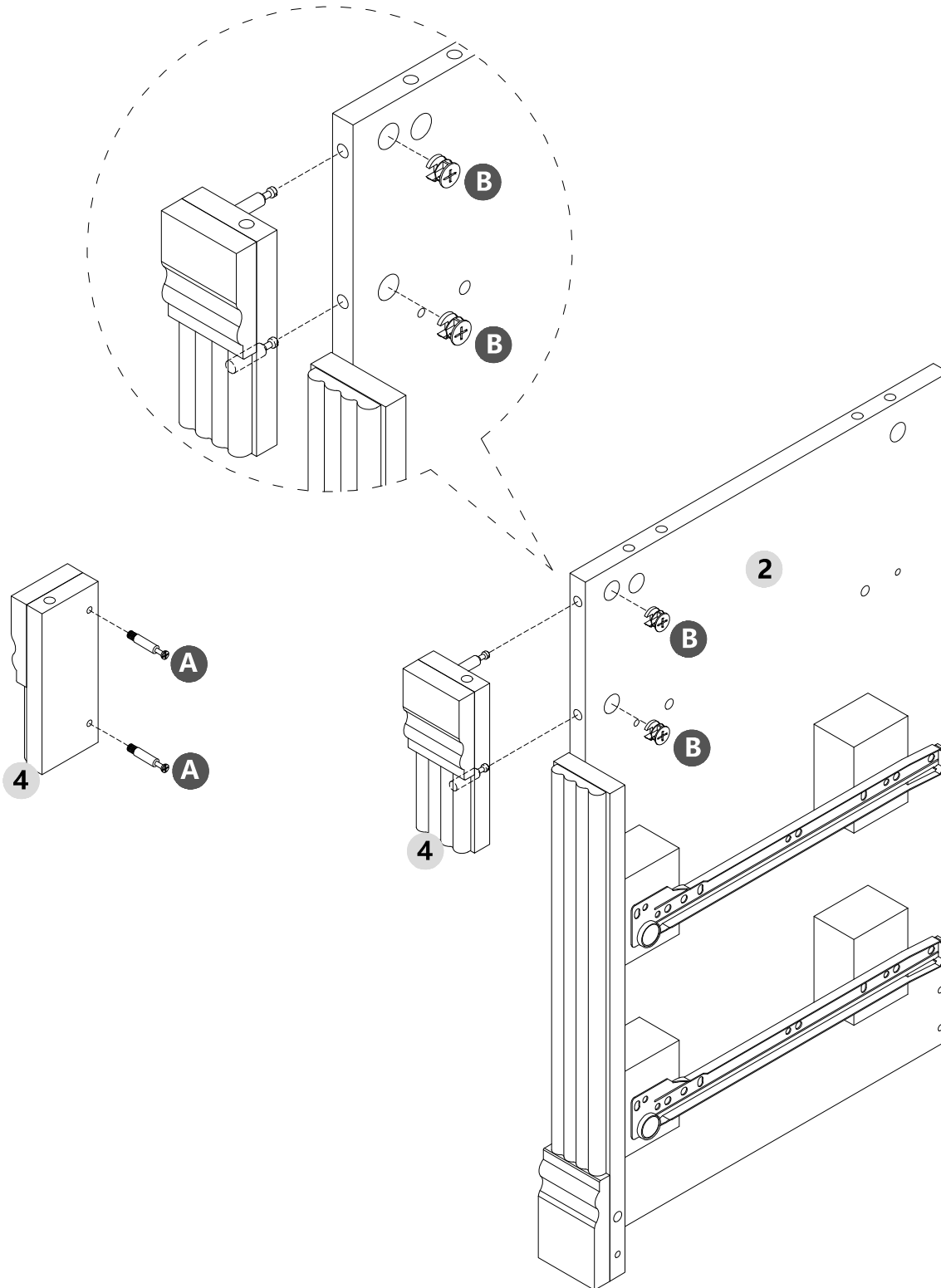
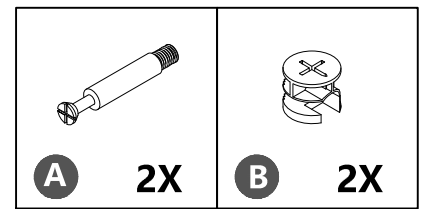
Align the CL track with the pre-drilled holes before securing it with screw (D).



If you encounter any installation issues, please contact customer support for assistance.

STEP 1-2

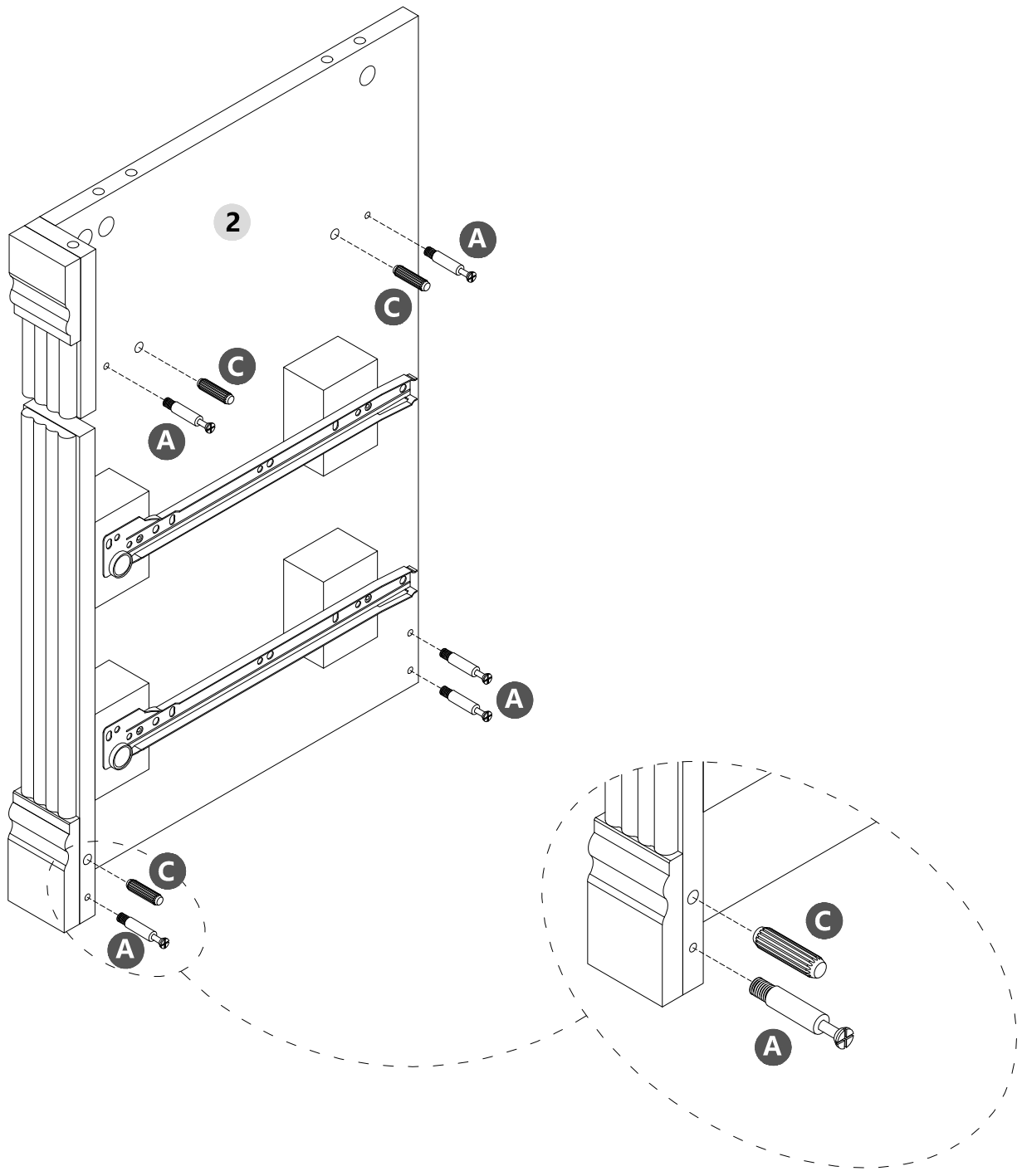
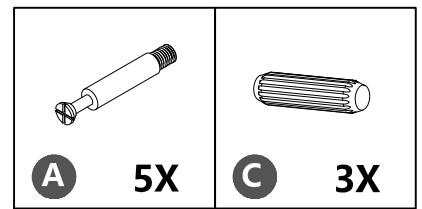
- Attach(A) to (4) as below shown
- Screw (B) to lock the (2)as below shown



If you encounter any installation issues, please contact customer support for assistance.

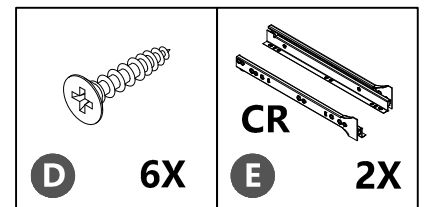
STEP 1-3

-Attach (A)&(C)to(2)as below shown



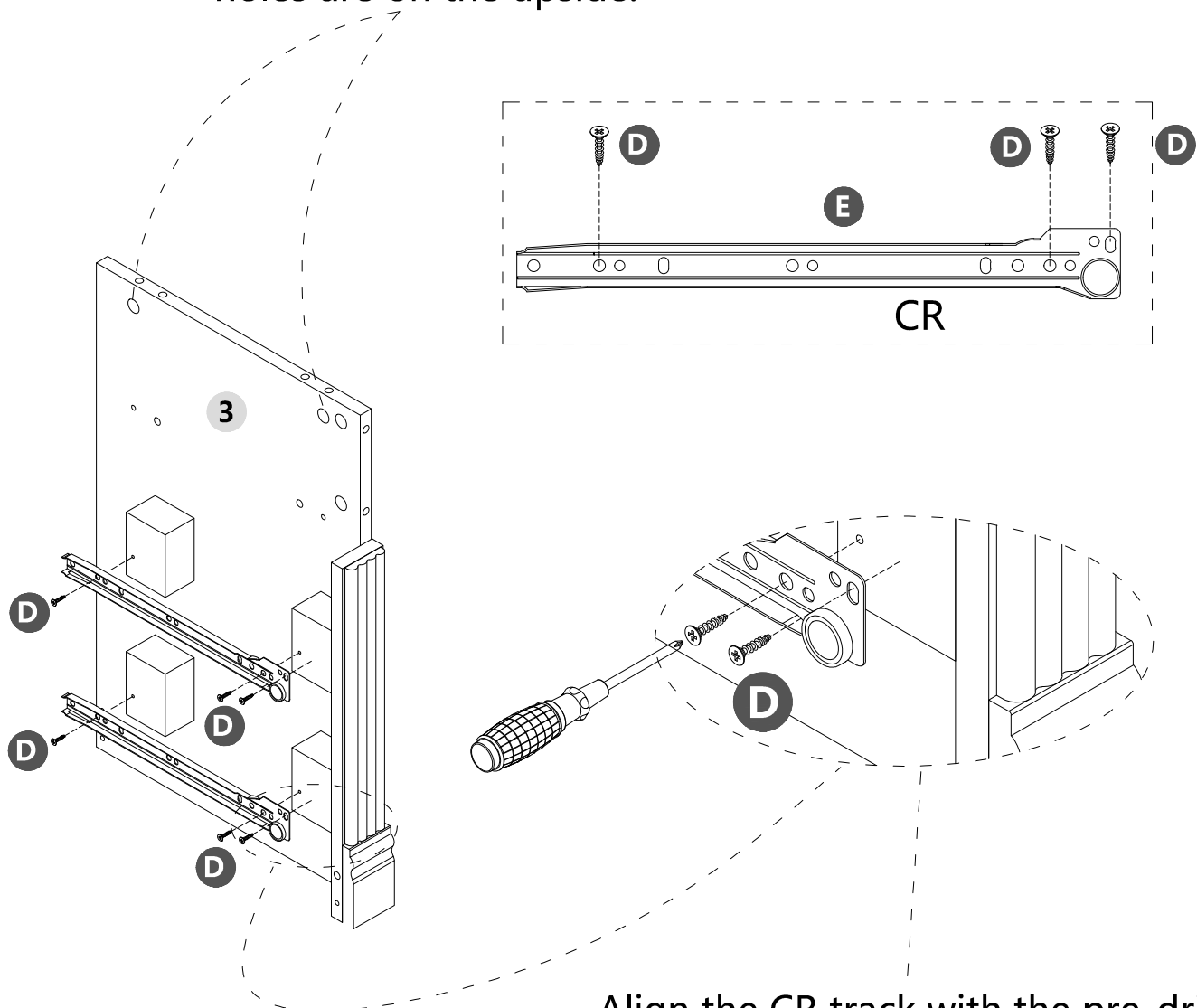
If you encounter any installation issues, please contact customer support for assistance.

STEP 2-1



- Open the drawer slide packages (E) and take out the tracks labeled with the CR symbol. You will need to open 2 batches of (E) to obtain 2 CR tracks.
- Install the CL tracks onto the right side panel (3) using the screws (D), as shown in the image below.
- Ensure that the roller end of all tracks is facing down during installation.

Make sure the 2 large pre-drilled holes are on the upside.

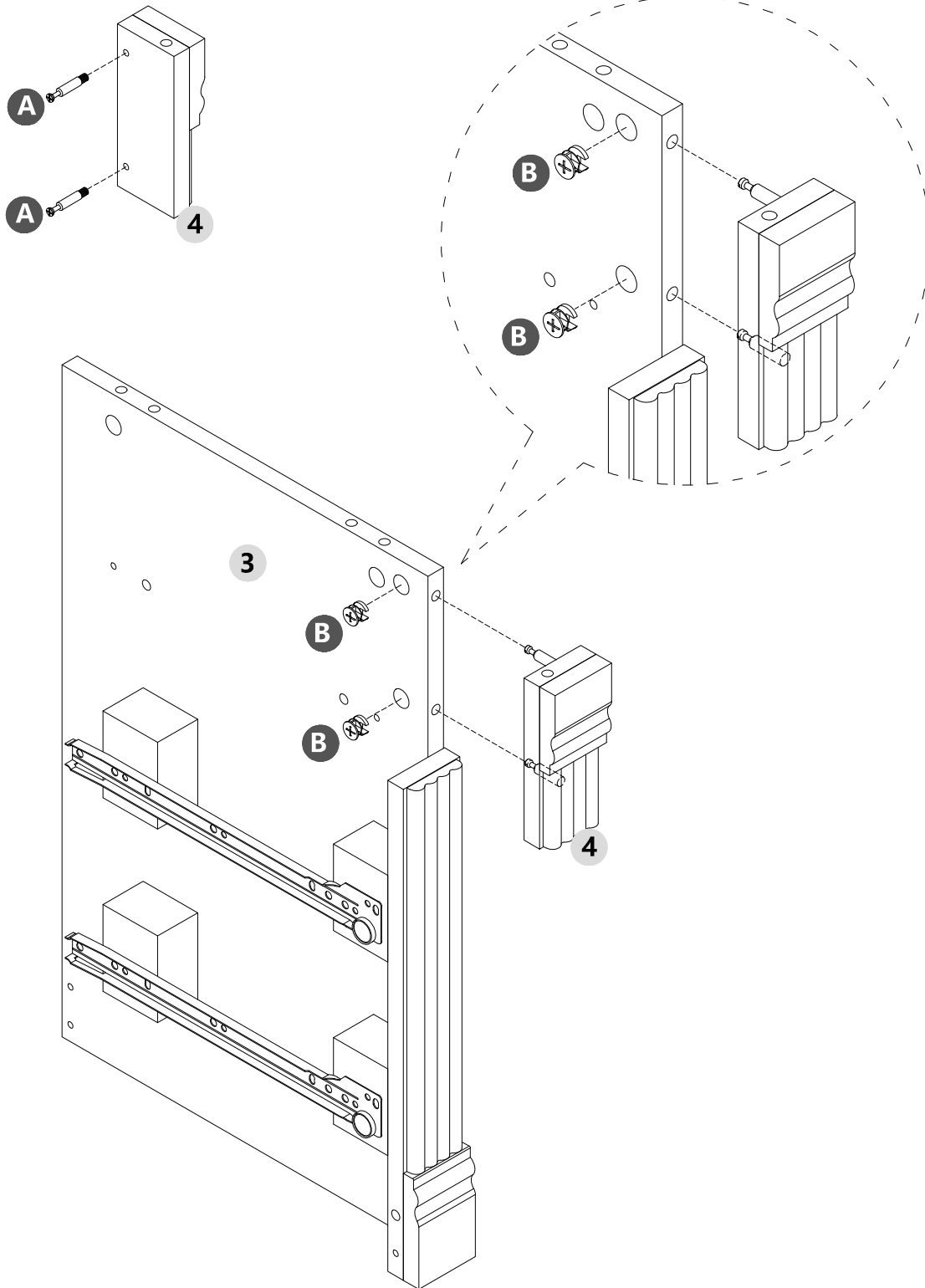
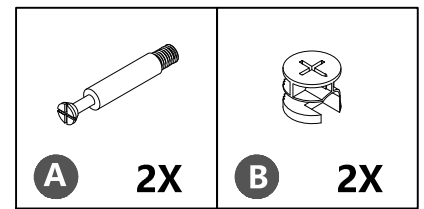


Align the CR track with the pre-drilled holes before securing it with screw (D).

If you encounter any installation issues, please contact customer support for assistance.

STEP 2-2

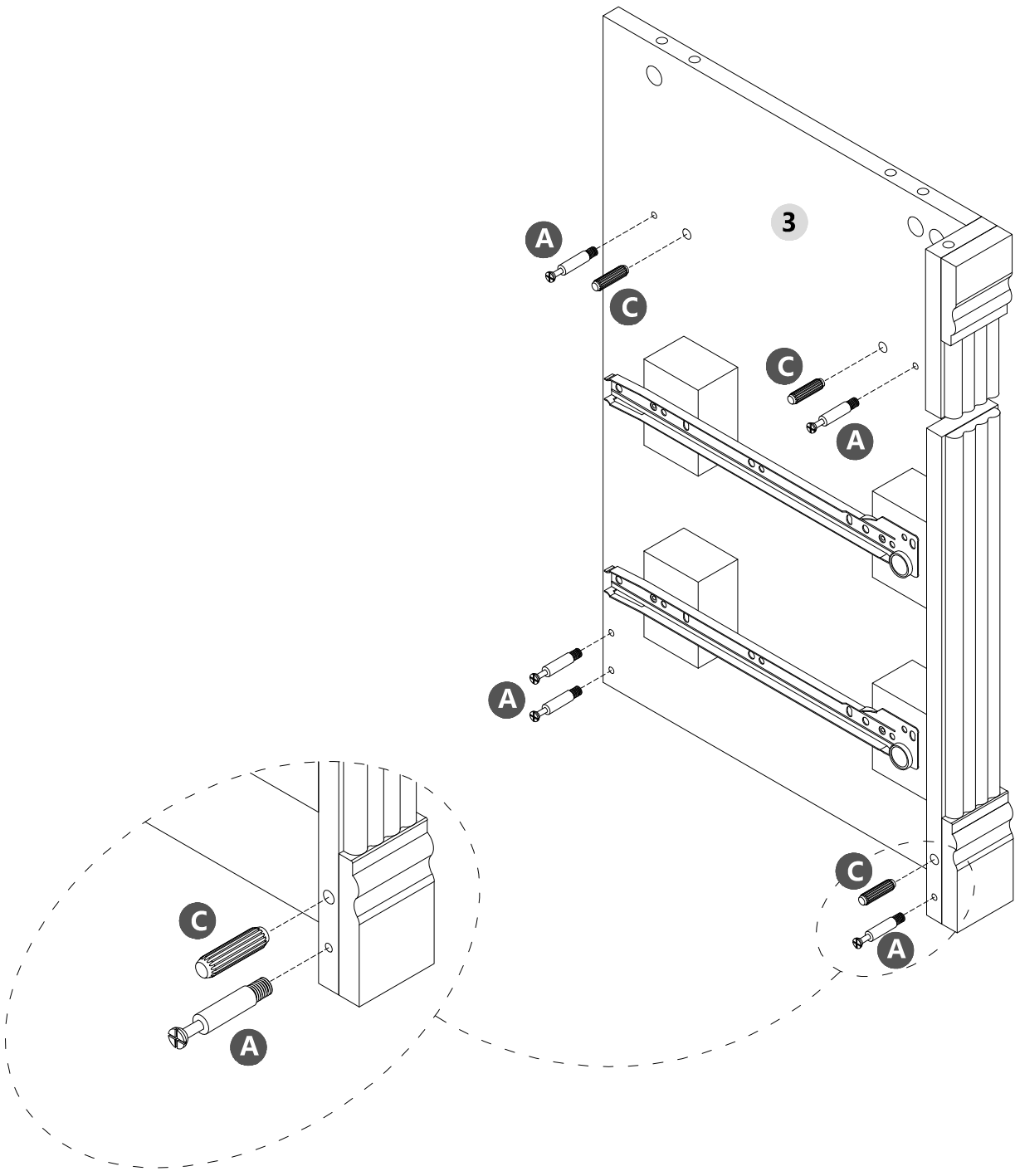
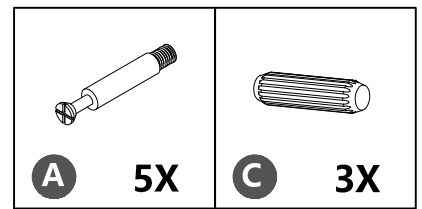
- Attach(A) to (4) as below shown
- Screw (B) to lock the (3) as below shown



If you encounter any installation issues, please contact customer support for assistance.

STEP 2-3

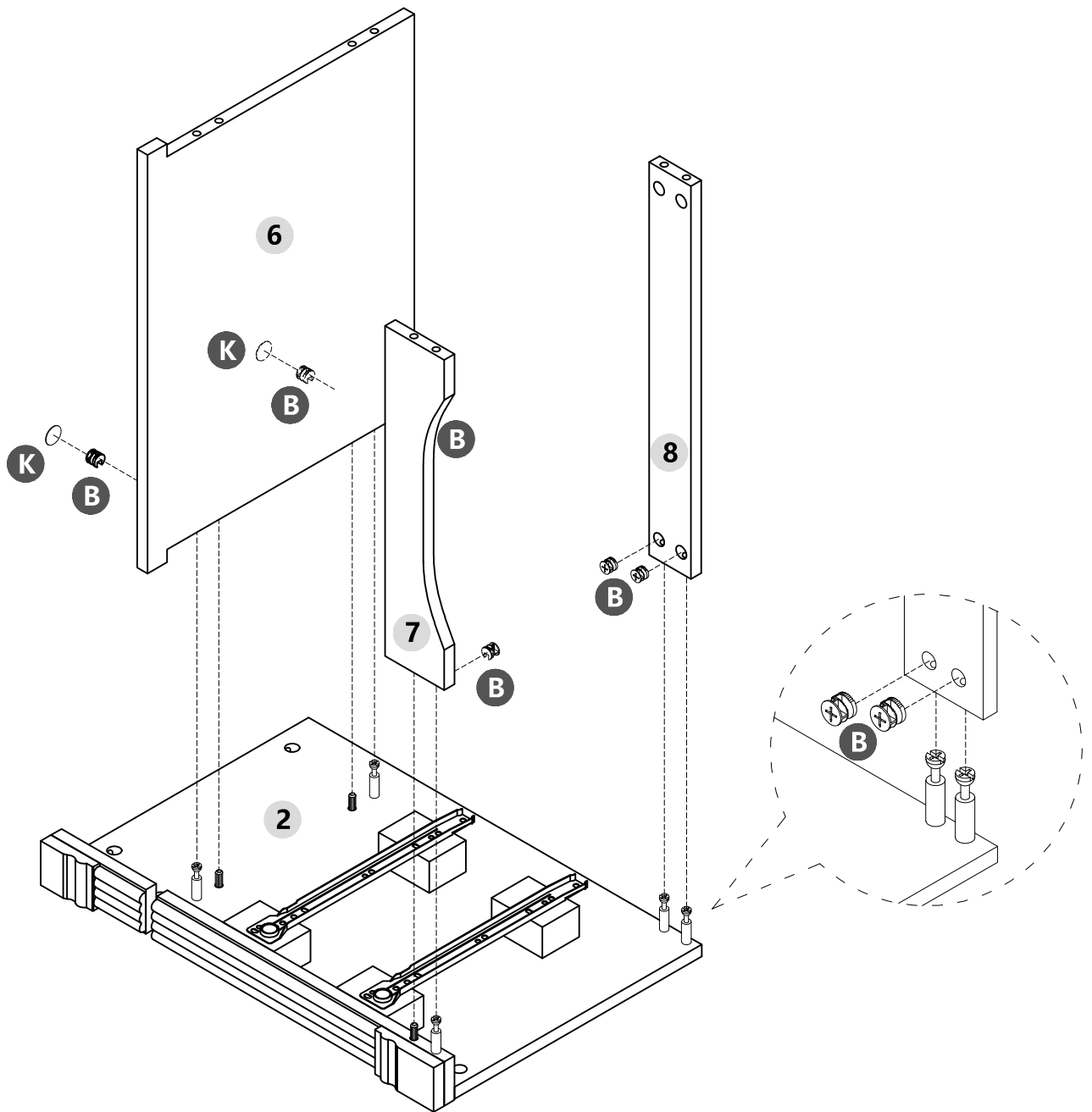
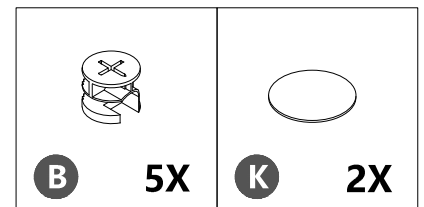
-Attach (A)&(C)to(3)as below shown



If you encounter any installation issues, please contact customer support for assistance.

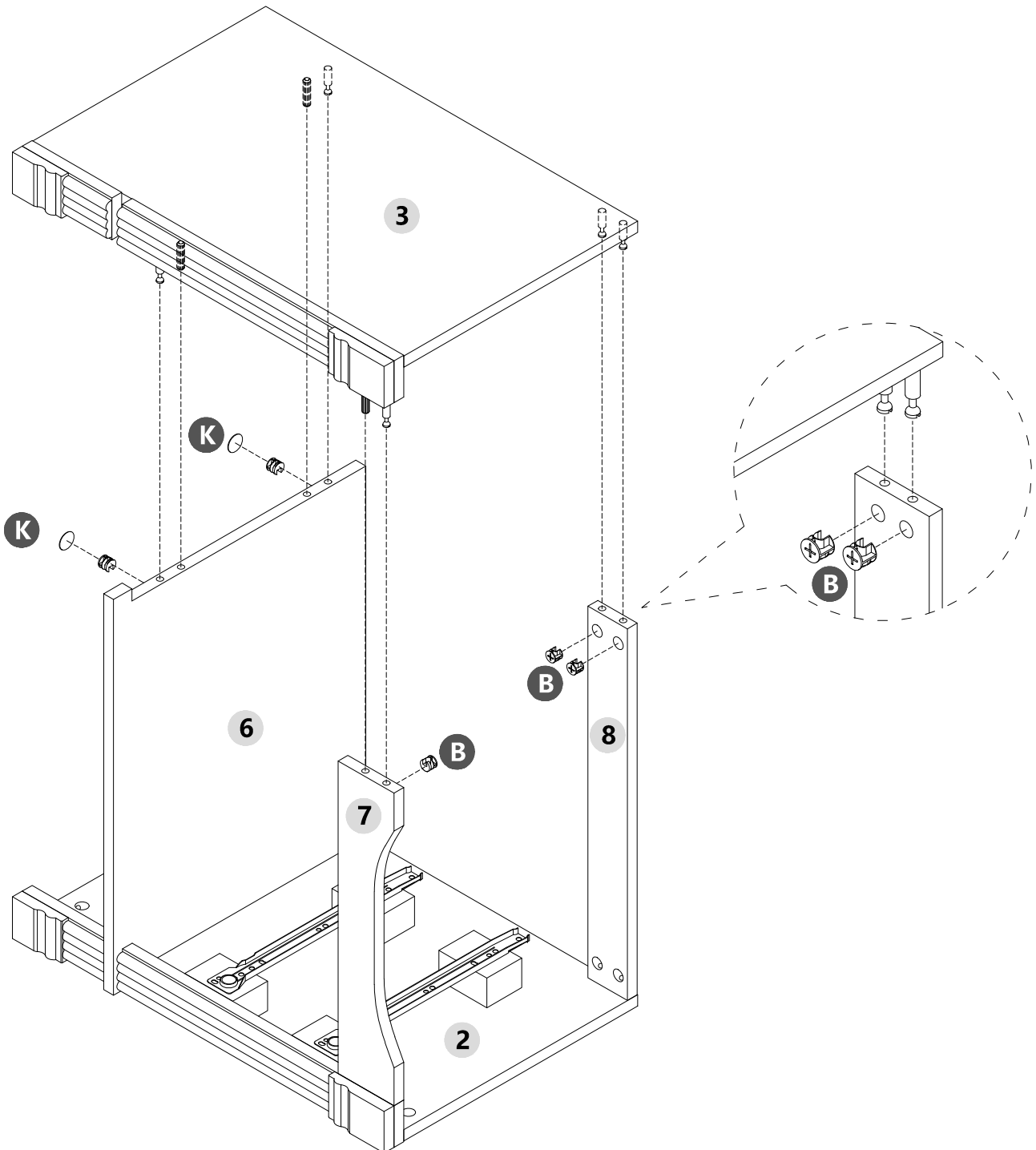
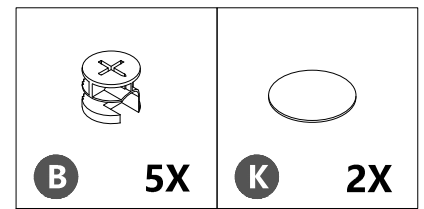
STEP 3

- Attach(6)&(7)&(8) to (2) as below shown
- Screw (B) to lock the (6)&(7)&(8)as below shown



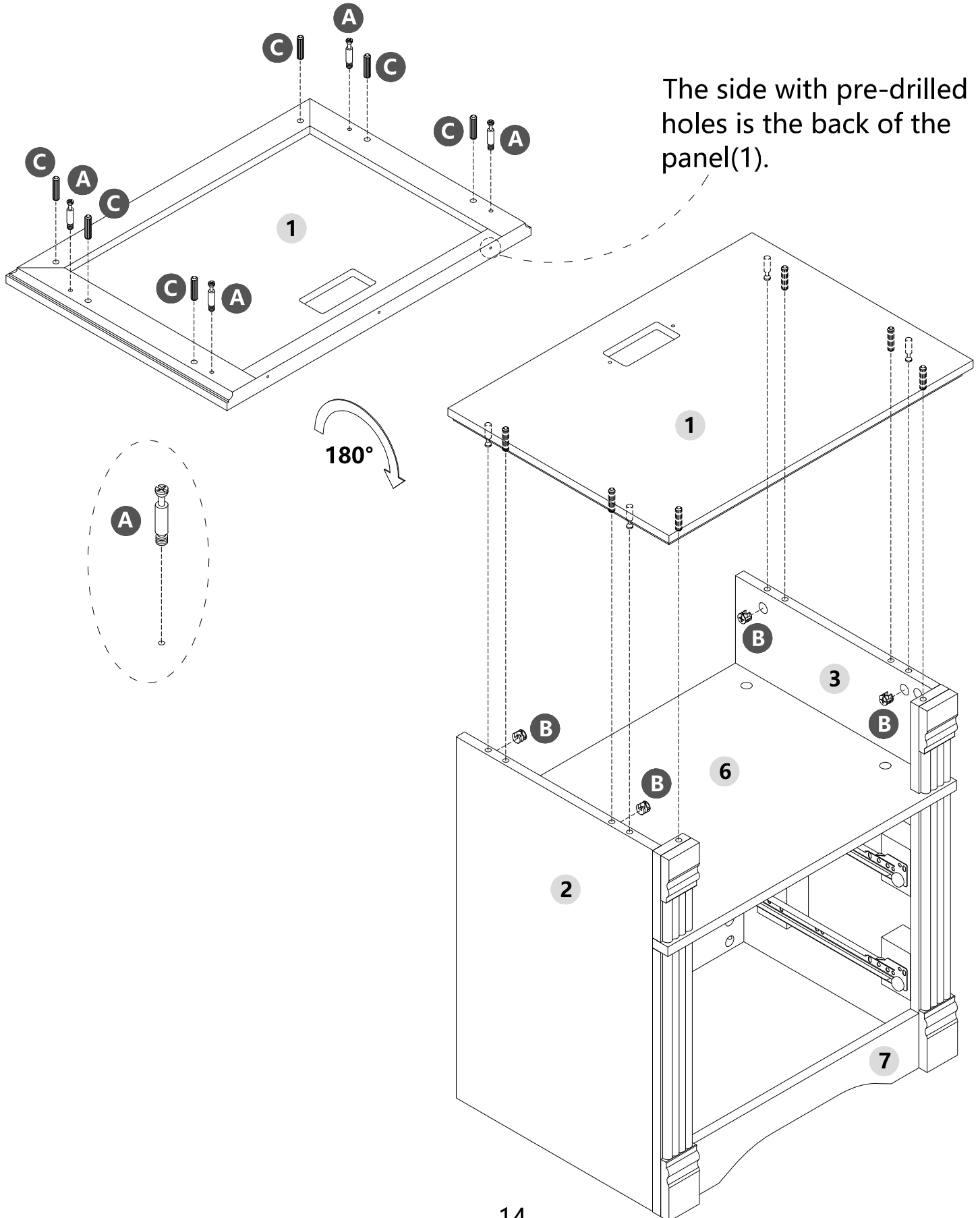
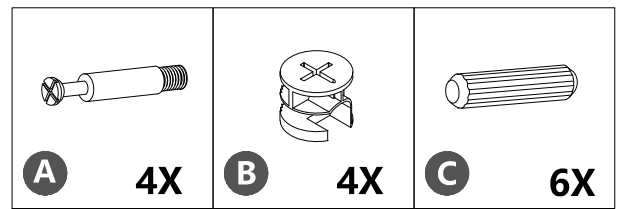
STEP 4

- Attach(6)&(7)&(8) to (3) as below shown
- Screw (B) to lock the (6)&(7)&(8)as below shown



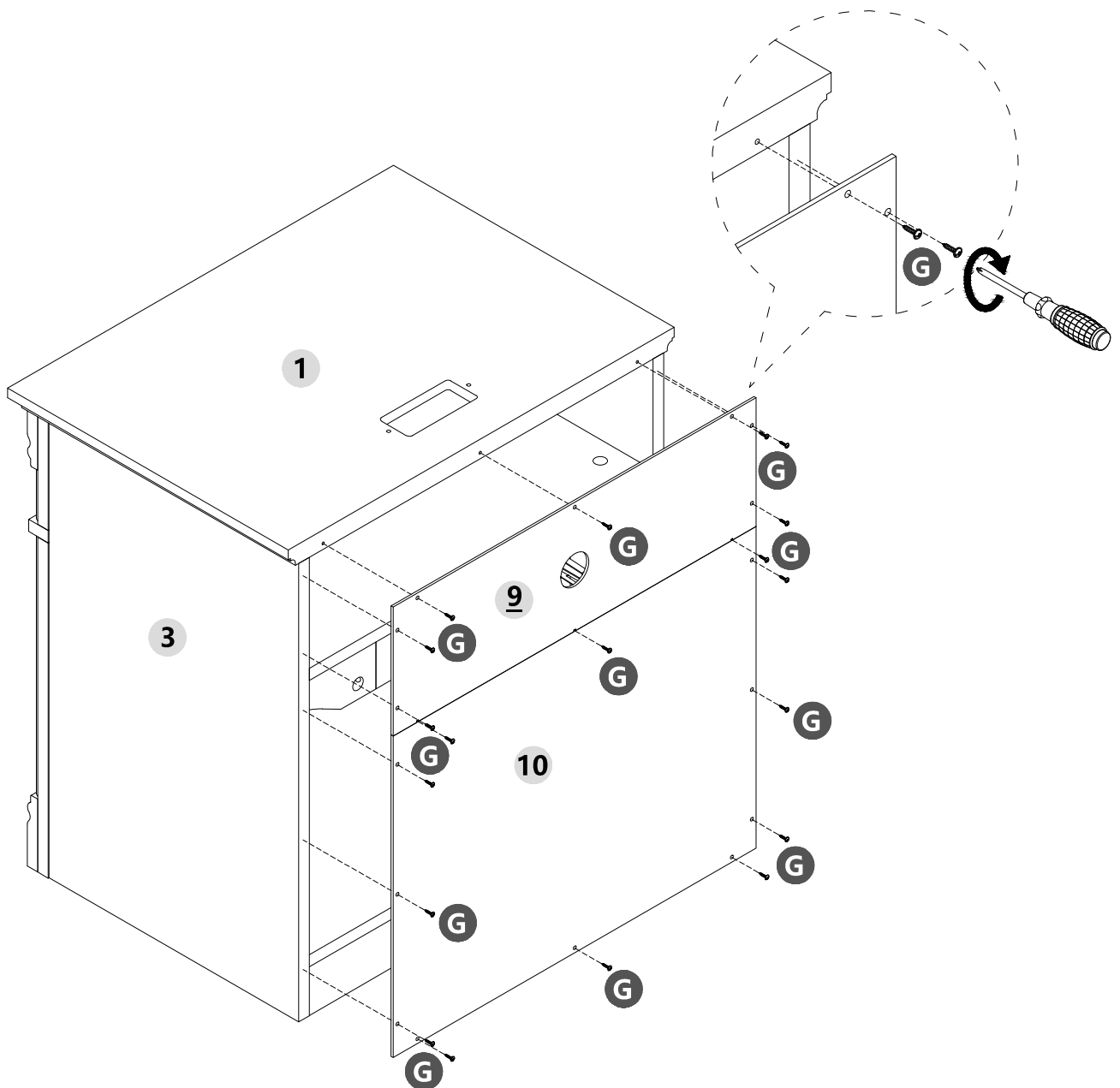
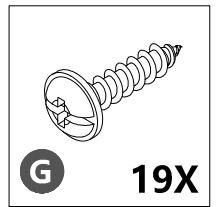
STEP 5

- Screw(A)to (1)as below shown
- Screw (C)to (1)as below shown
- Flip(1), attach (1) to (2)&(3) as below shown
- Screw (B)to lock the (2)&(3) as below show



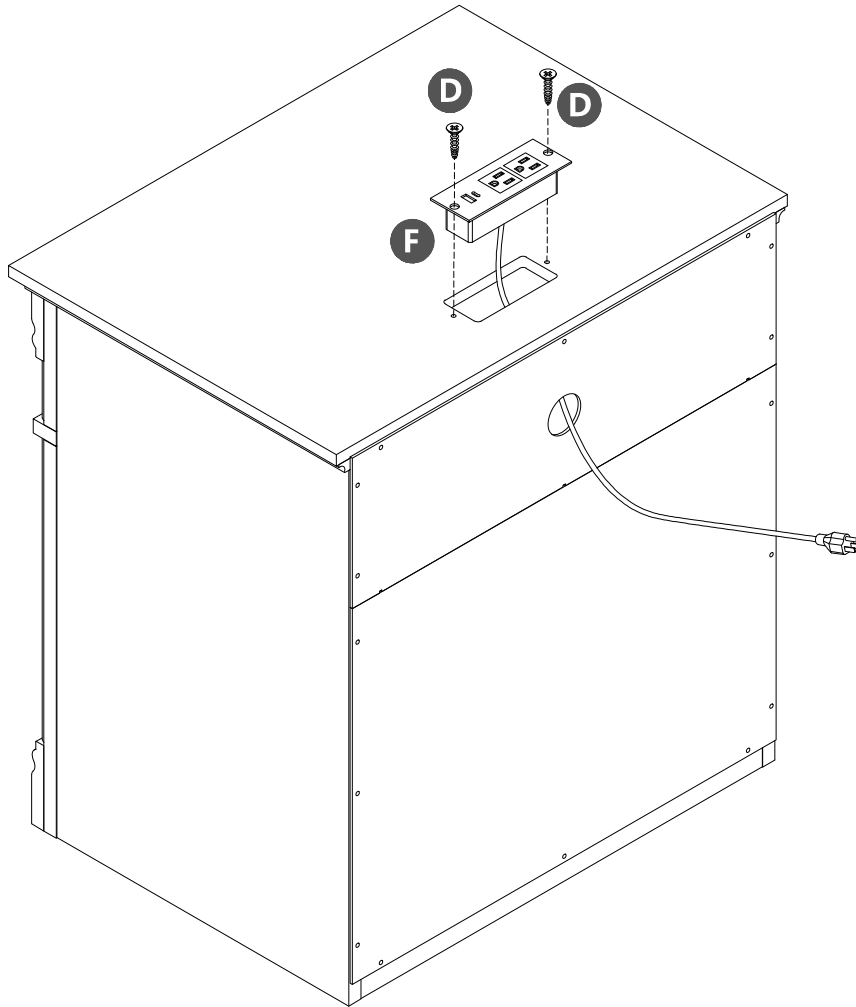
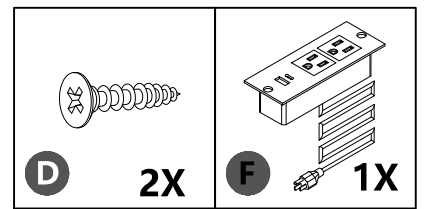
STEP 6

-Screw(G) to Back panel (9)&(10) as below shown



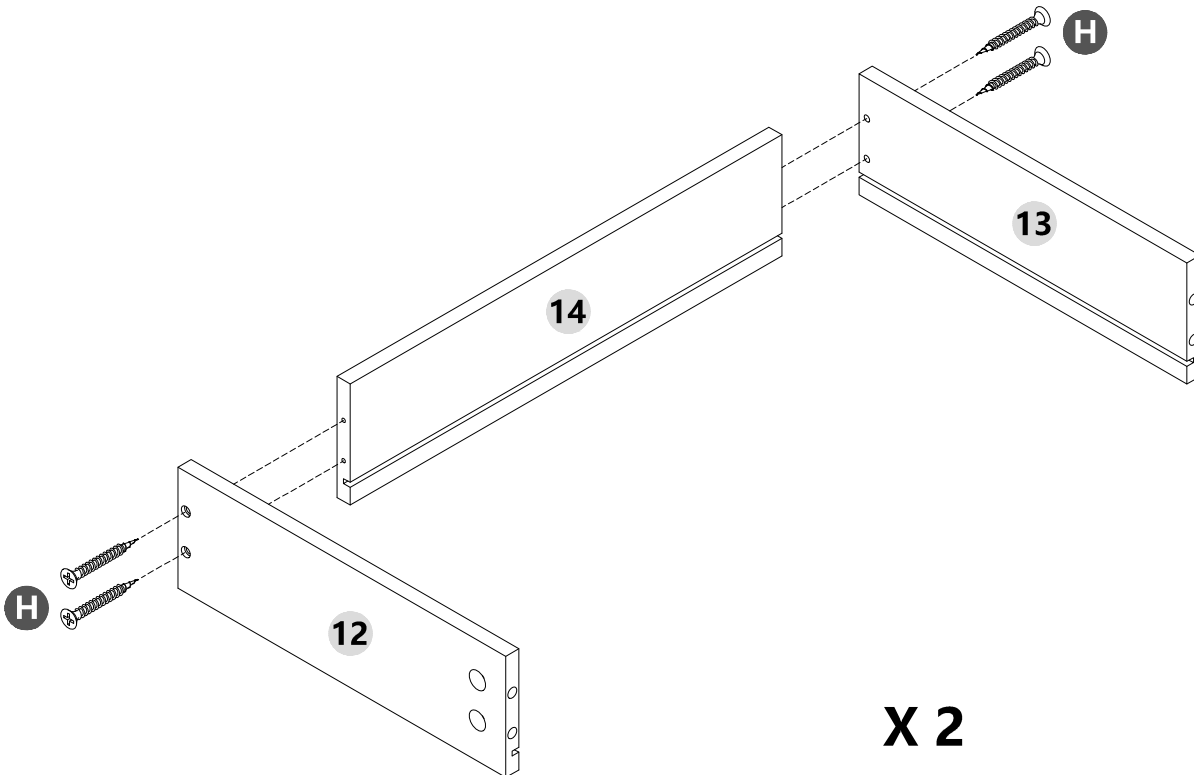
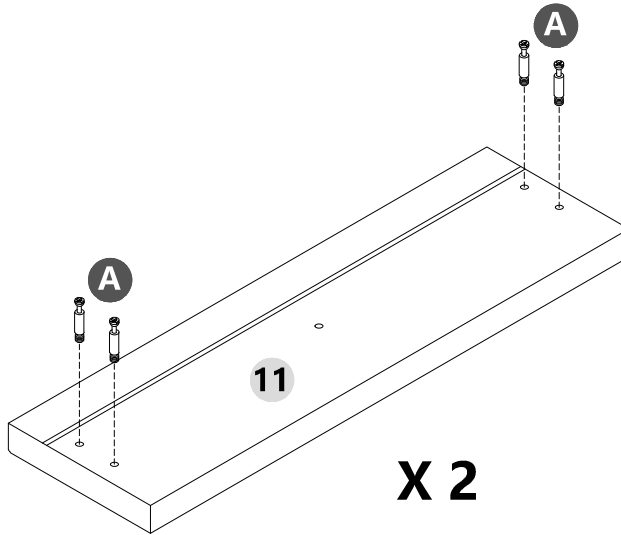
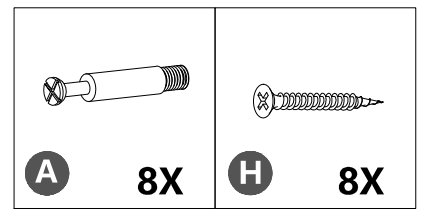
STEP 7

- Attach (F) to (1) as below shown
- Screw(D)to(1)as below shown



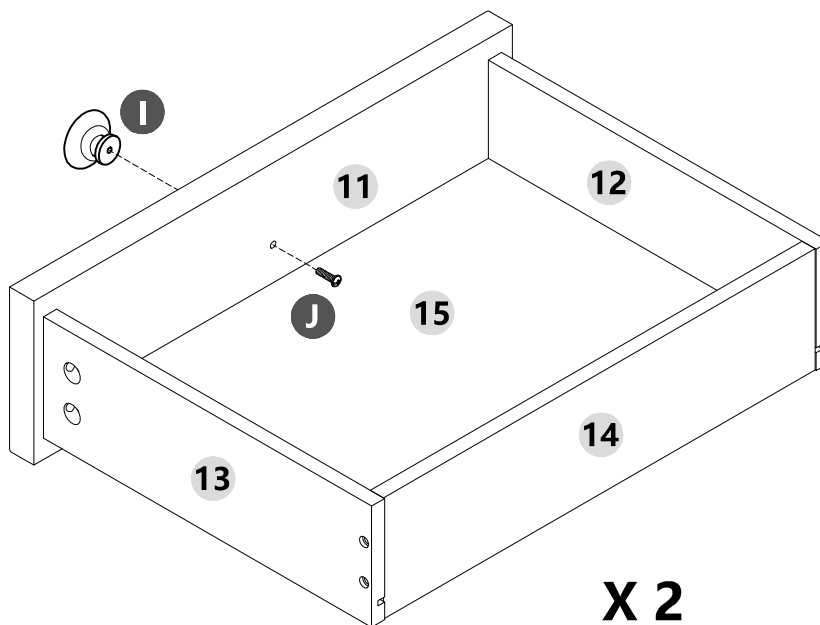
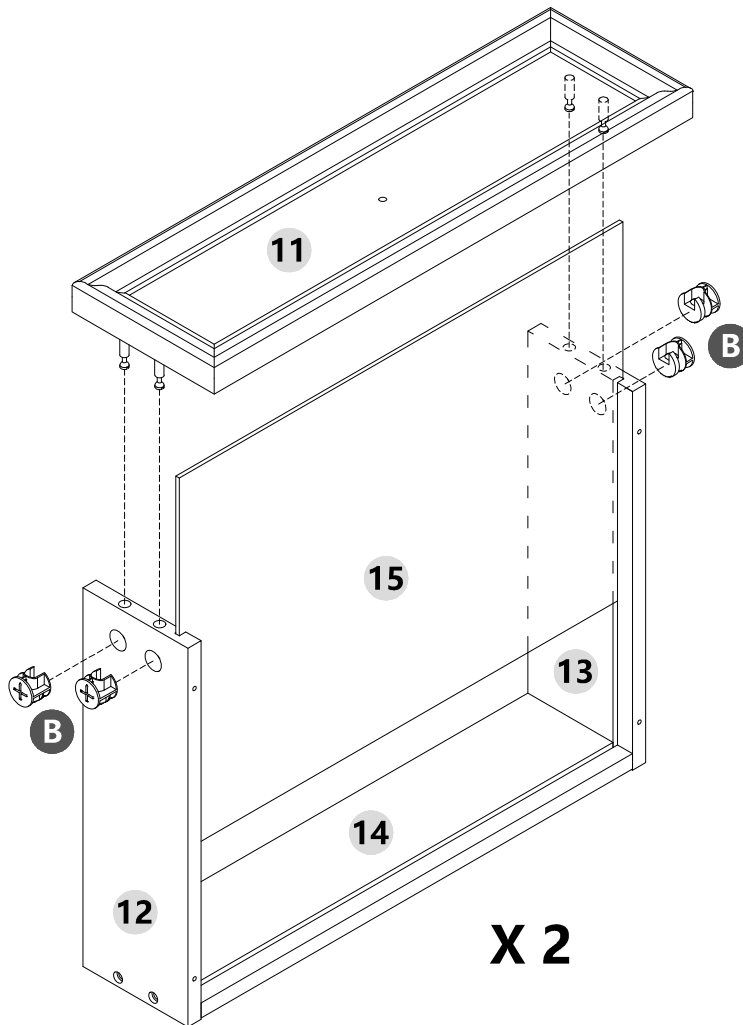
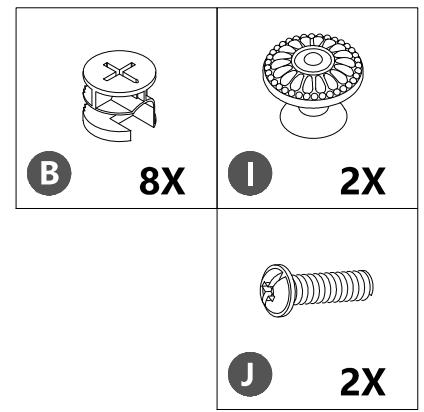
STEP 8

- Screw(A) to(11)as below shown
- Attach (12)&(13)to(14) as below shown
- Screw (H) to lock the (12)&(13)as below shown



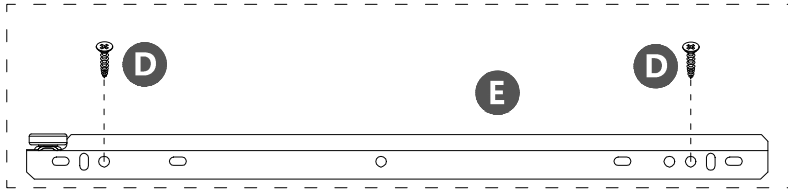
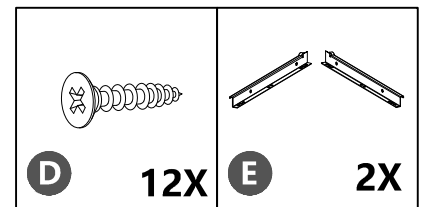
STEP 9

- Attach (11)&(15) to (12)&(13) as below shown
- Screw (B) to attach (11) to (12)&(13) as below shown
- Screw (J)&(I) to (11) as below shown

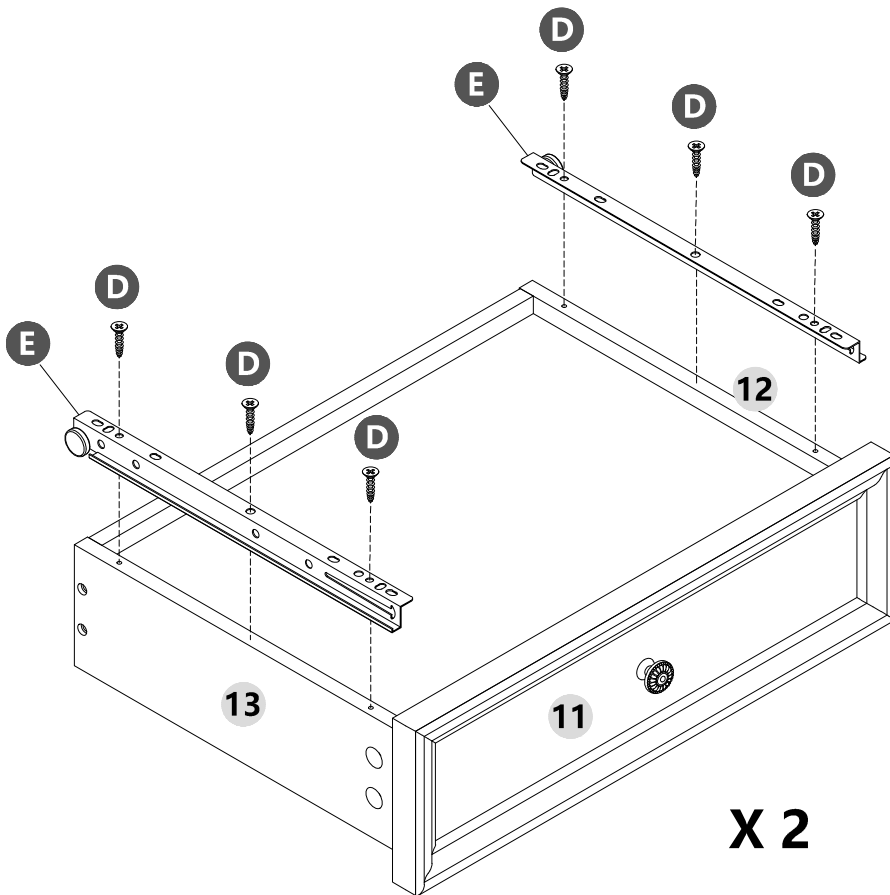


STEP 10

-install the drawer slides (E) on the drawer side panels (12)&(13) as below shown

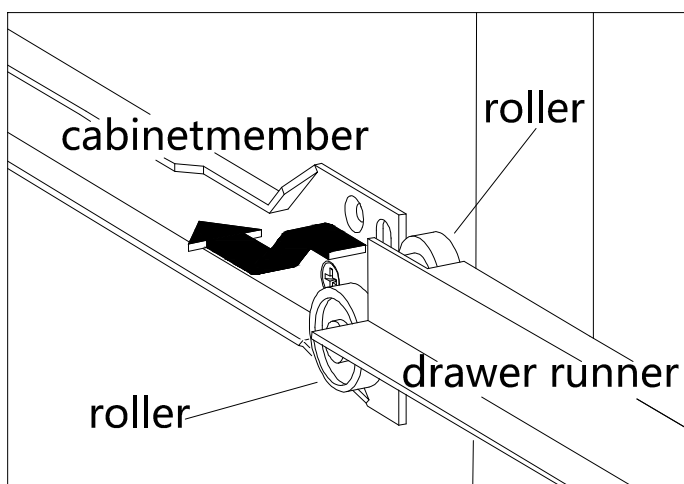
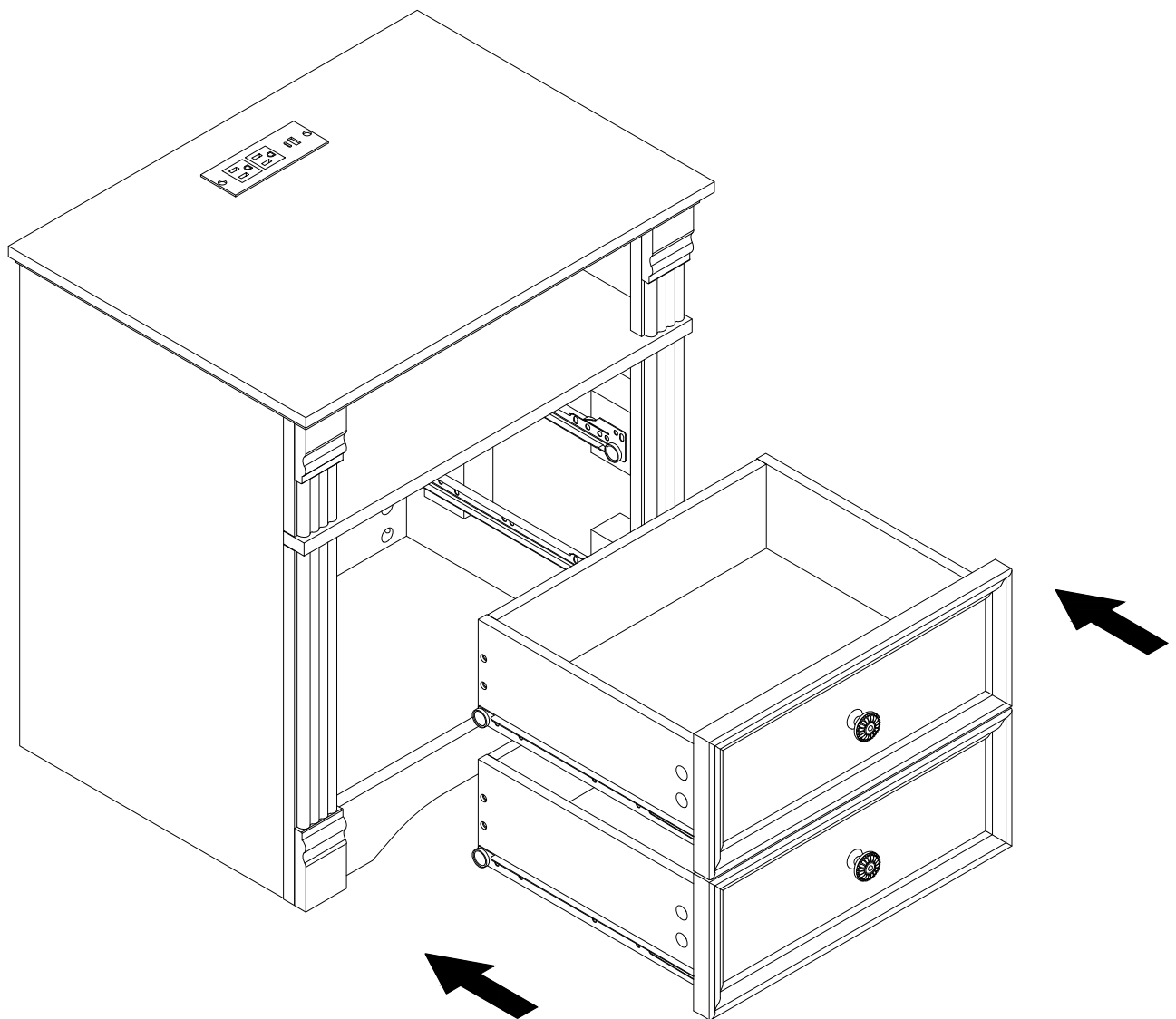


If necessary, install another screw in the middle of the drawer slide.



Repeat the previous step to install the remaining drawers

STEP 11



STEP 12

Finally, you will have a 2-drawer dresser!

