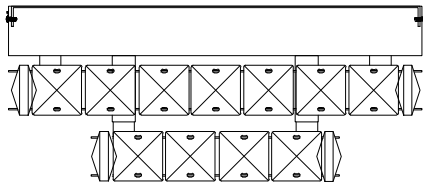


INSTALLATION MANUAL

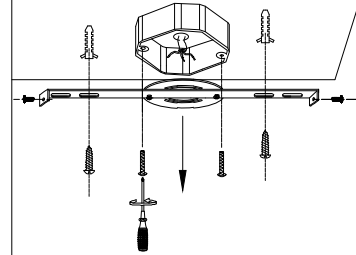
CEILING LIGHTS



MOUNTING AND WIRING

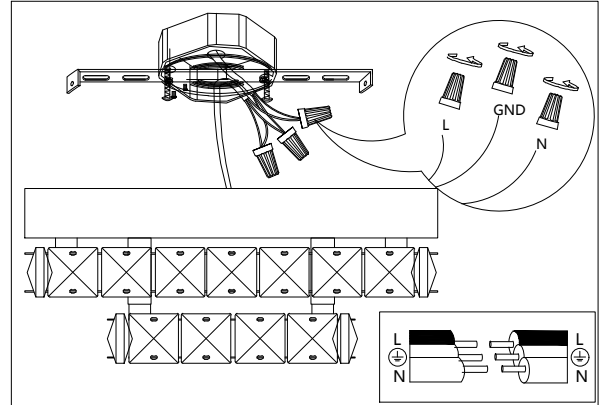
1. Install the Mounting Bracket

* Ceiling electric-box NOT INCLUDED



As shown in the figure, remove the M4 Screw and take out the Mounting Bracket from the Ceiling plate, then secure the Mounting Bracket onto the box with screws taken off or Outlet Box Screw/Self-tapping screw/Expanded micelle.

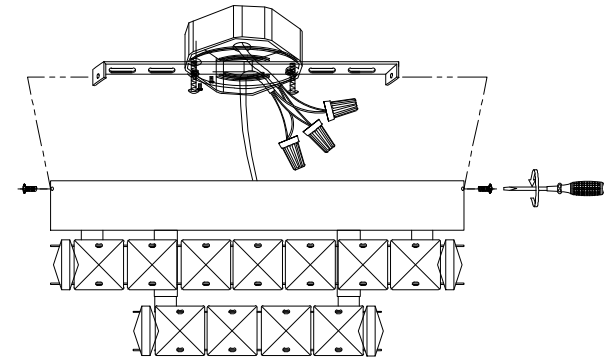
2. Connect the wires



Step 1: Connect the wires from the fixture to the house supply wires with Wire Nuts(AA), ground wire (green, green/yellow, or bare) to ground wire, neutral wire(white) to neutral wire, and hot wire(black) to the hot wire. Wrap the connection with electrical tape.

Step 2: Spread apart the wires so that the hot wires are on one side of the outlet box and the neutral wires are on the other.

3. Install the lamp body



Align the small holes on the side of the ceiling panel with those on the side of the installation bracket. Use M4 screws to pass through the ceiling panel nails and screw them onto the installation bracket to fix the lamp.

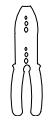
TOOLS REQUIRED
NOT INCLUDED



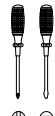
Ladder



Pliers



Wire
Strippers



Screwdrivers