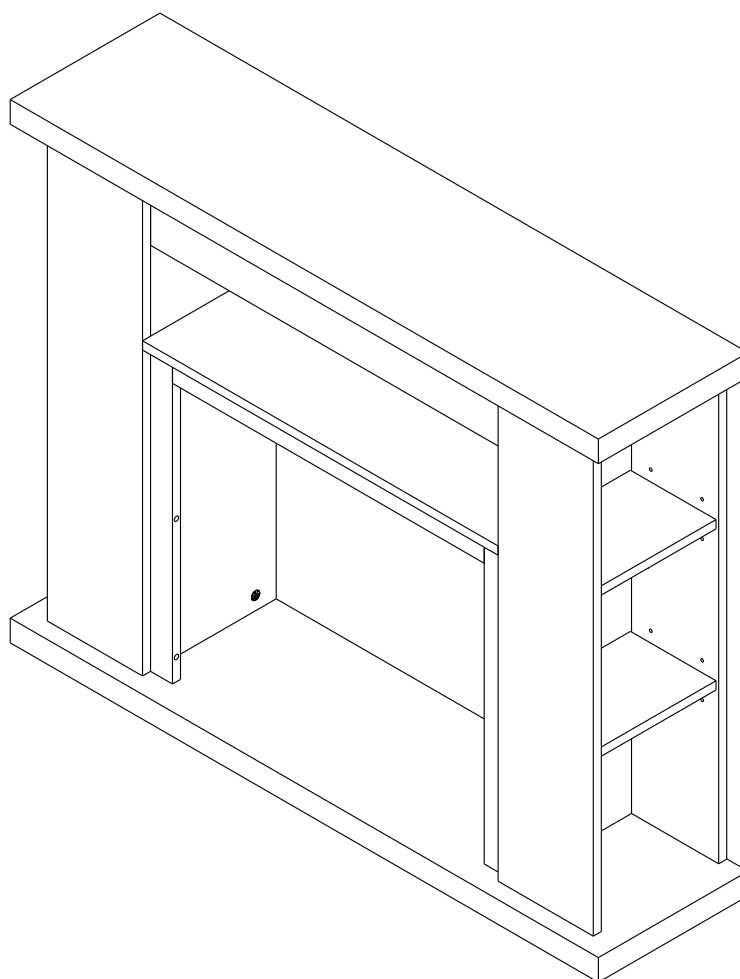


FIREPLACE MANTEL

ASSEMBLY INSTRUCTIONS

MT321E

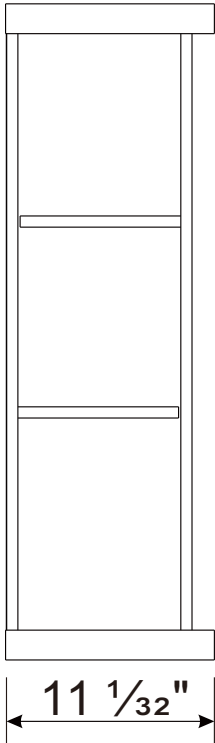
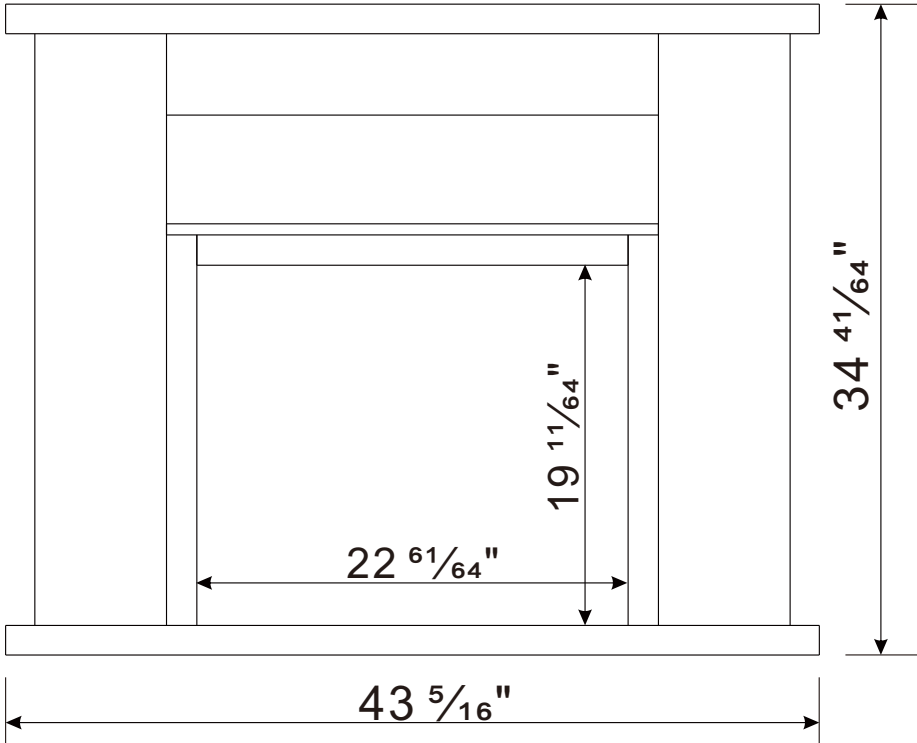


If you have a problem with this product, DO NOT RETURN

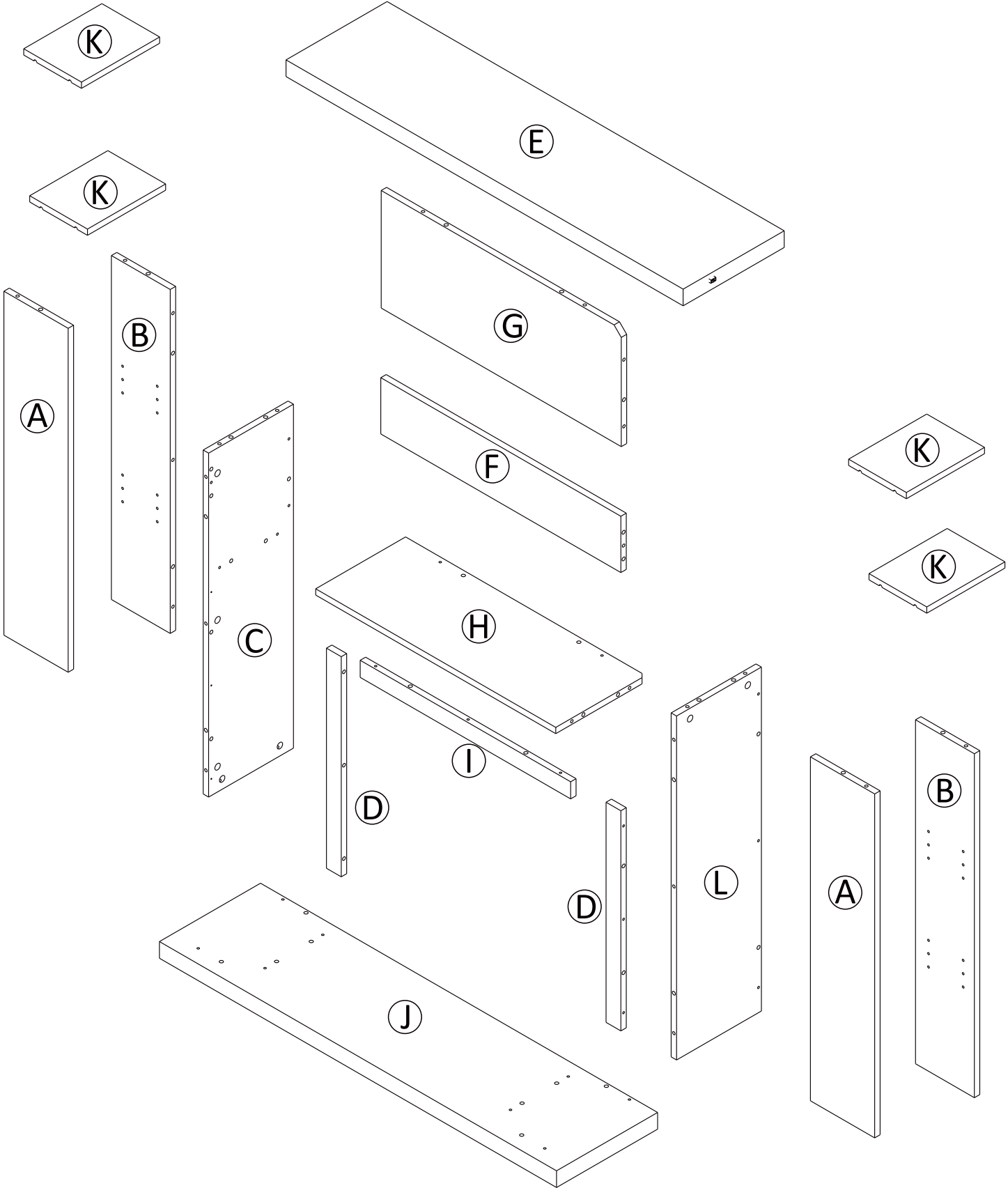
Call our customer service: 949-385-6588

or email: service5@fireandfireplaceservice.com


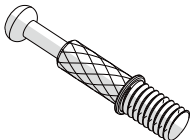
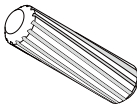
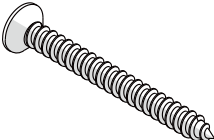
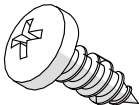
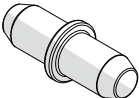


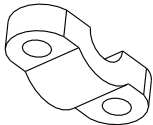
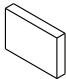
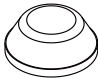
DIMENSIONS



PARTS LIST

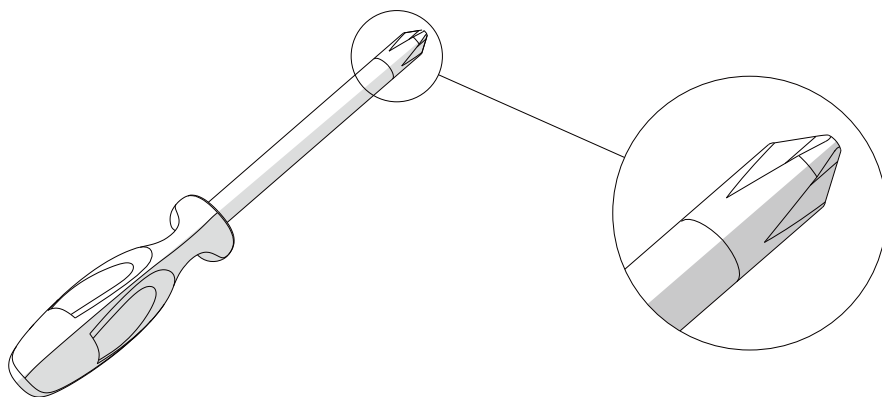


ACCESSORIES

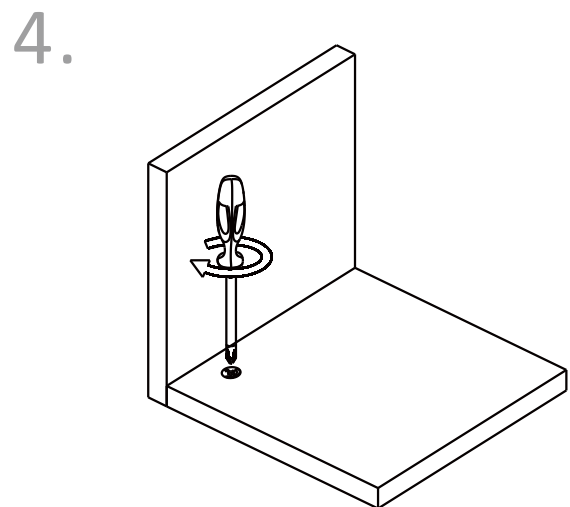
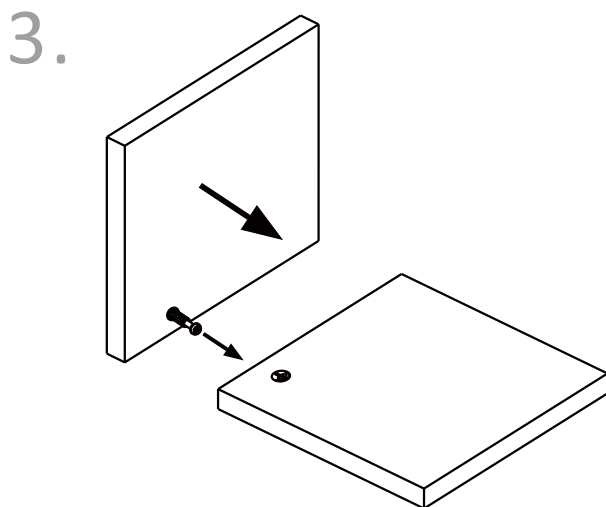
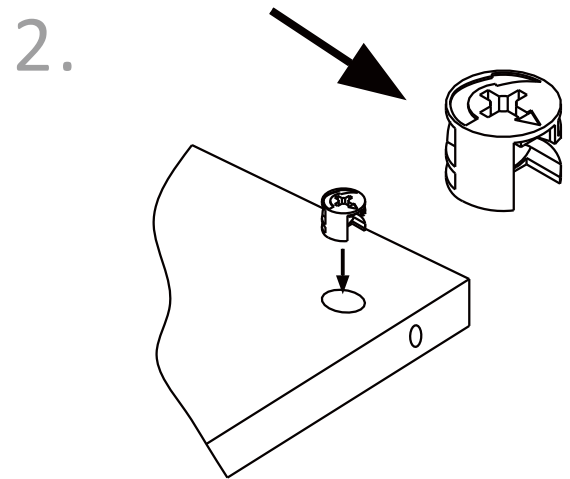
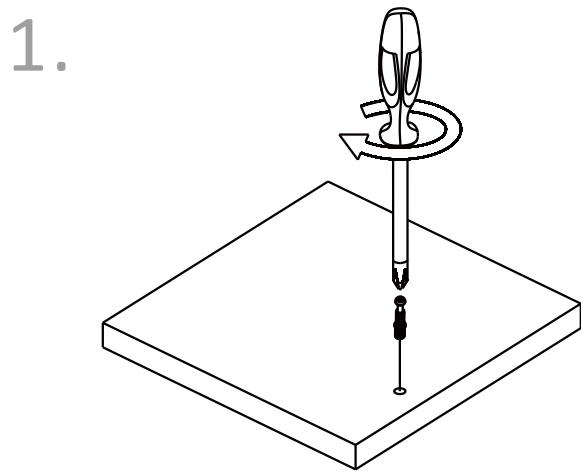
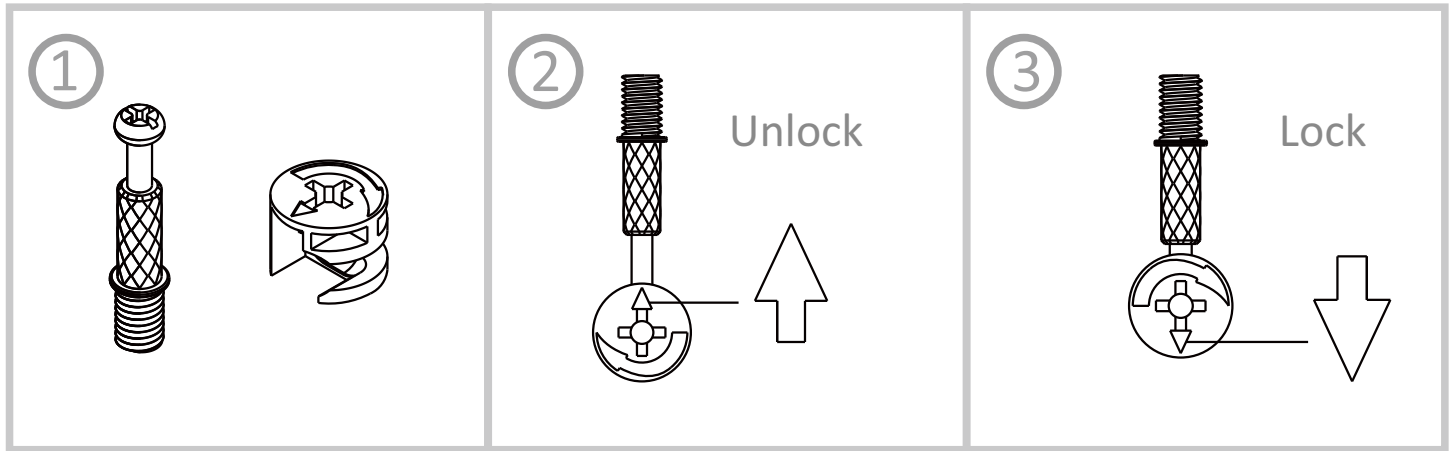
			
cam lock X42+1	cam bolt X42+1	wood dowel X45+1	screw ST4x50 X9+1
			
screw ST4x12 X8+1	pin X16+1	moodlight strip X1	connect wire X1
			
clamp X4	foam X4	rubber foot X6	

TOOLS REQUIRED

A screwdriver will be needed.



CAM LOCK FASTENING SYSTEM

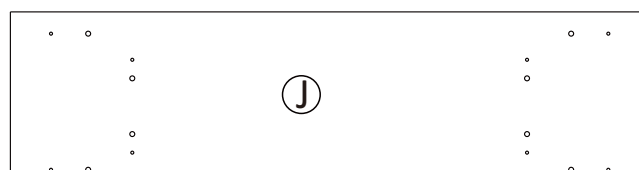
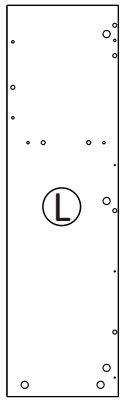
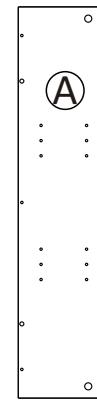
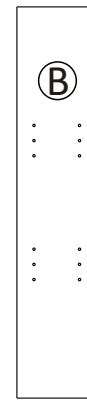
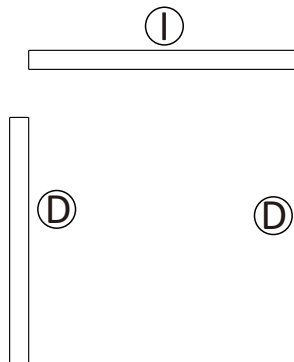
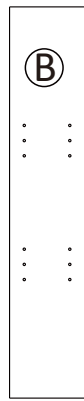
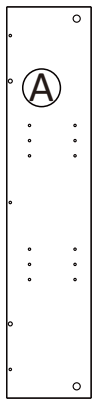
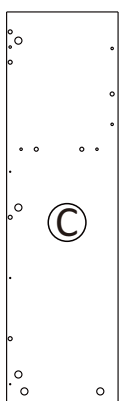
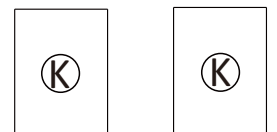
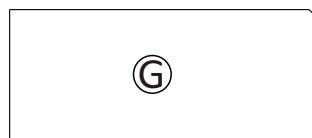
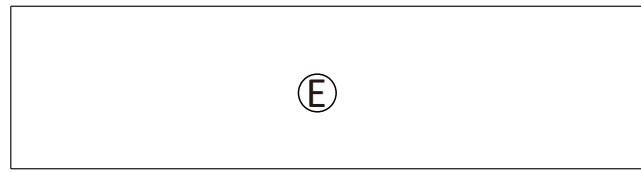


This cam lock fastening system will be used throughout the assembly process.

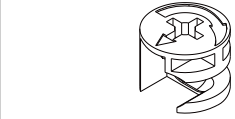
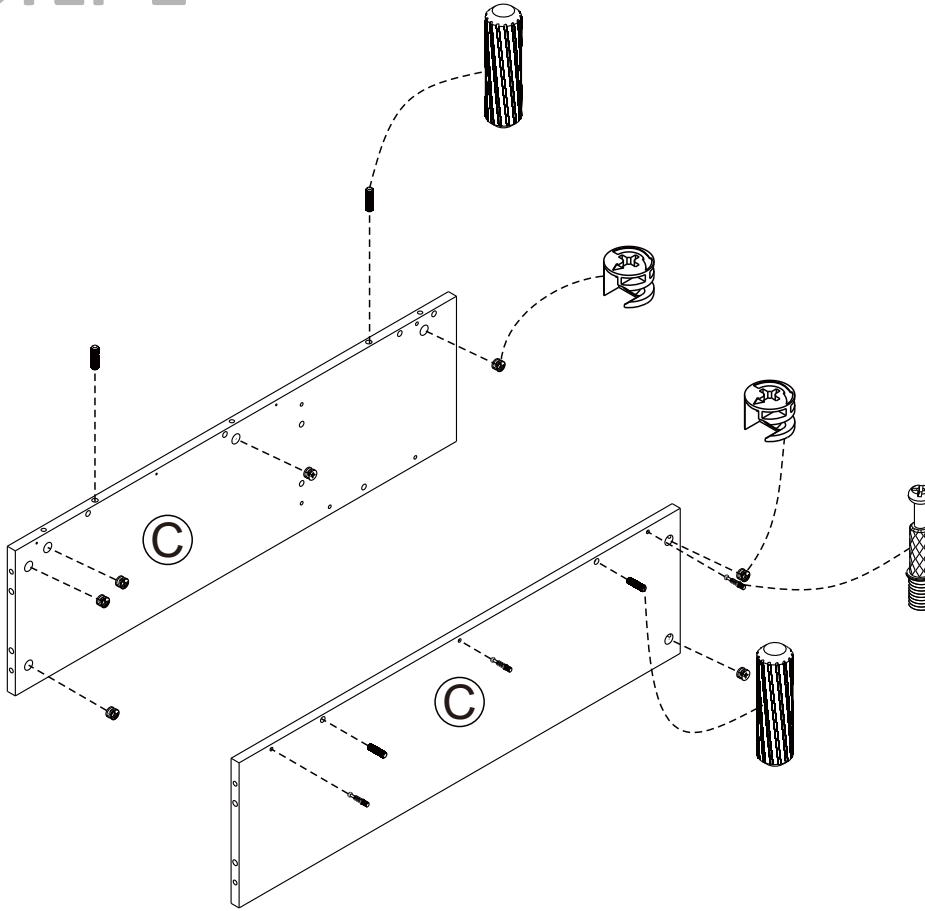
ASSEMBLY INSTRUCTIONS

STEP 1

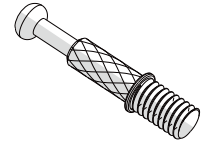
Take out all the parts, as shown on the floor. Please pay attention to protect the board surface.



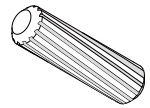
STEP 2



cam lock X7

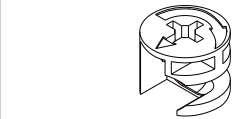
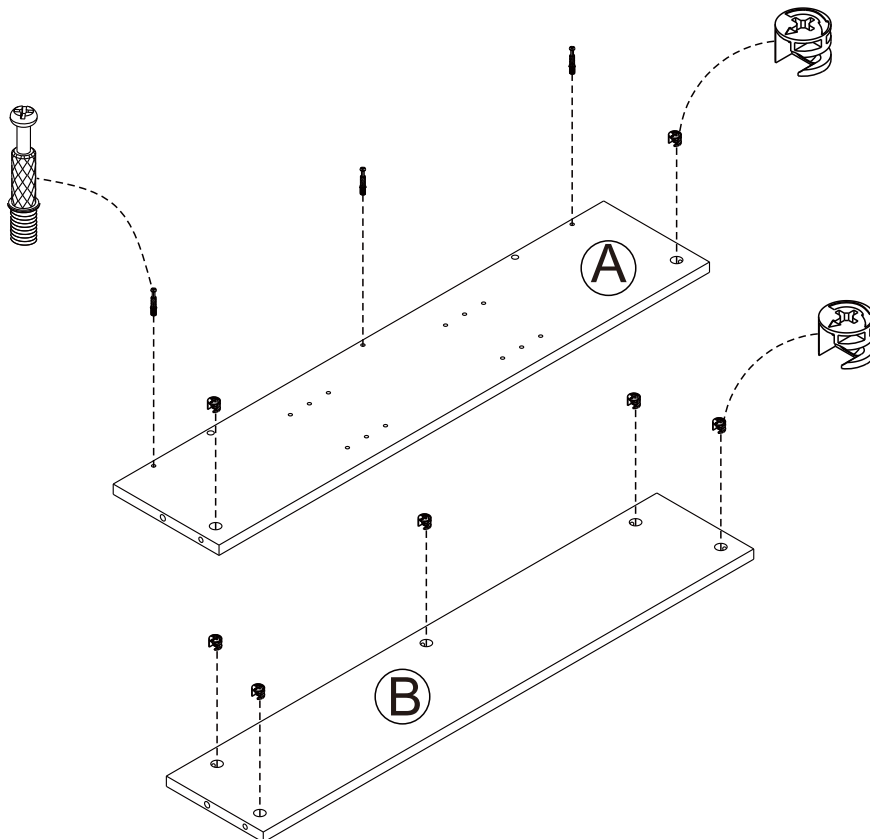


cam bolt X3

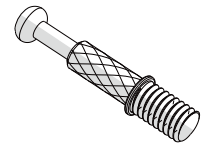


wood dowel X4

STEP 3

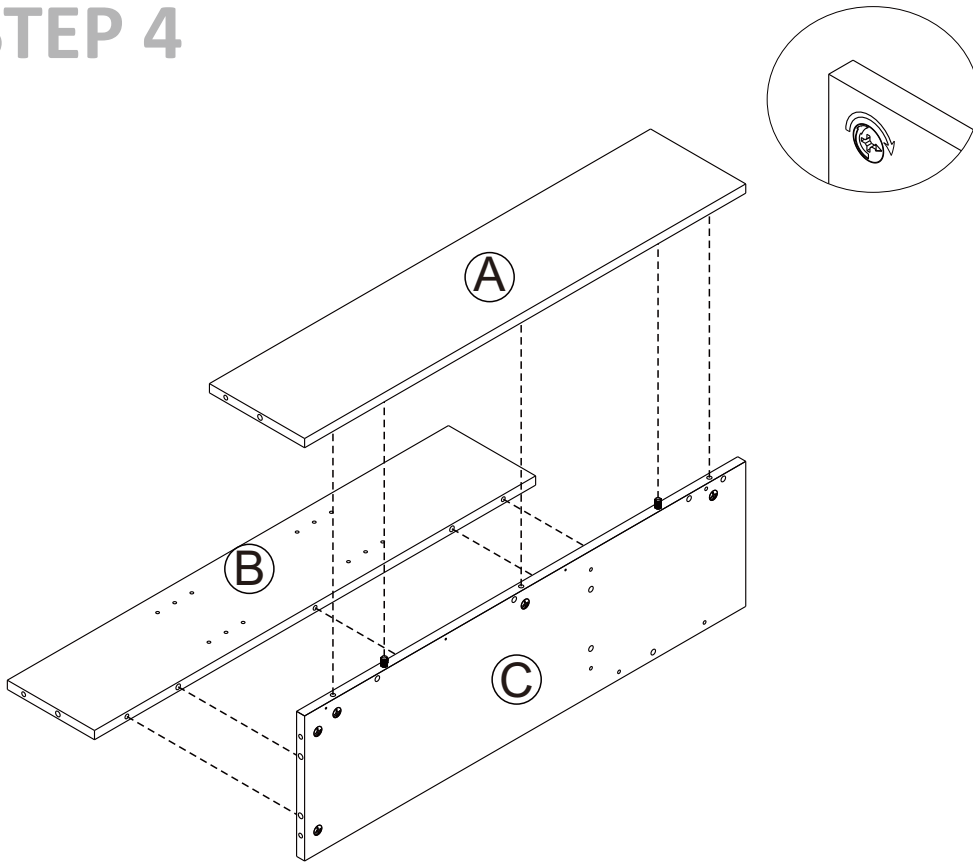


cam lock X7

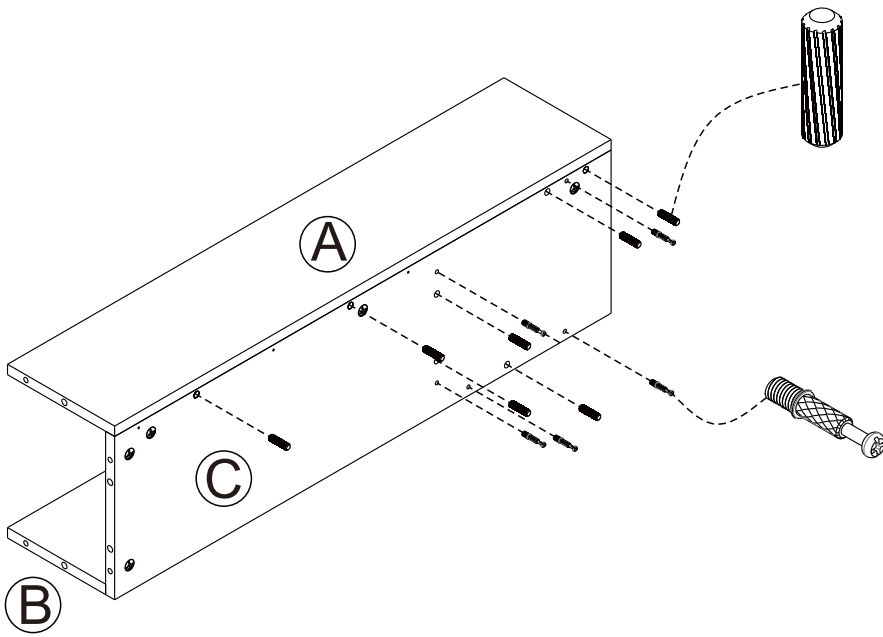


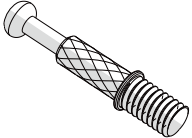
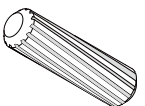
cam bolt X3

STEP 4

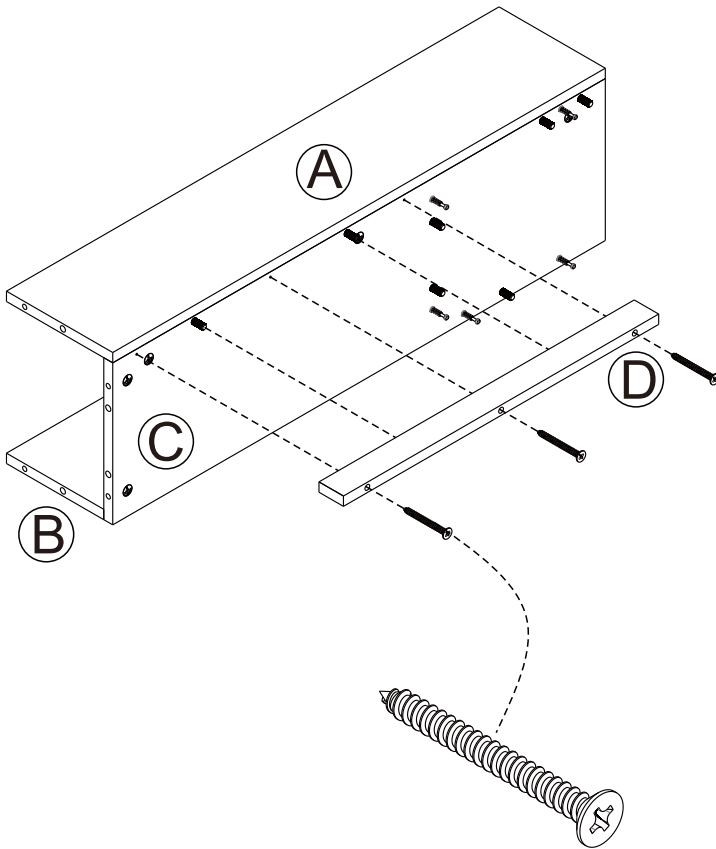


STEP 5

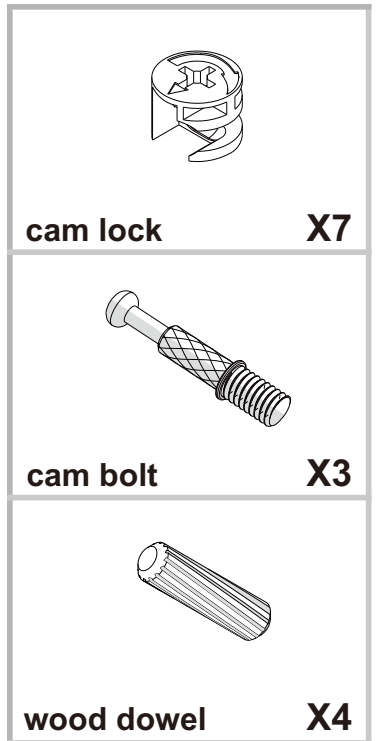
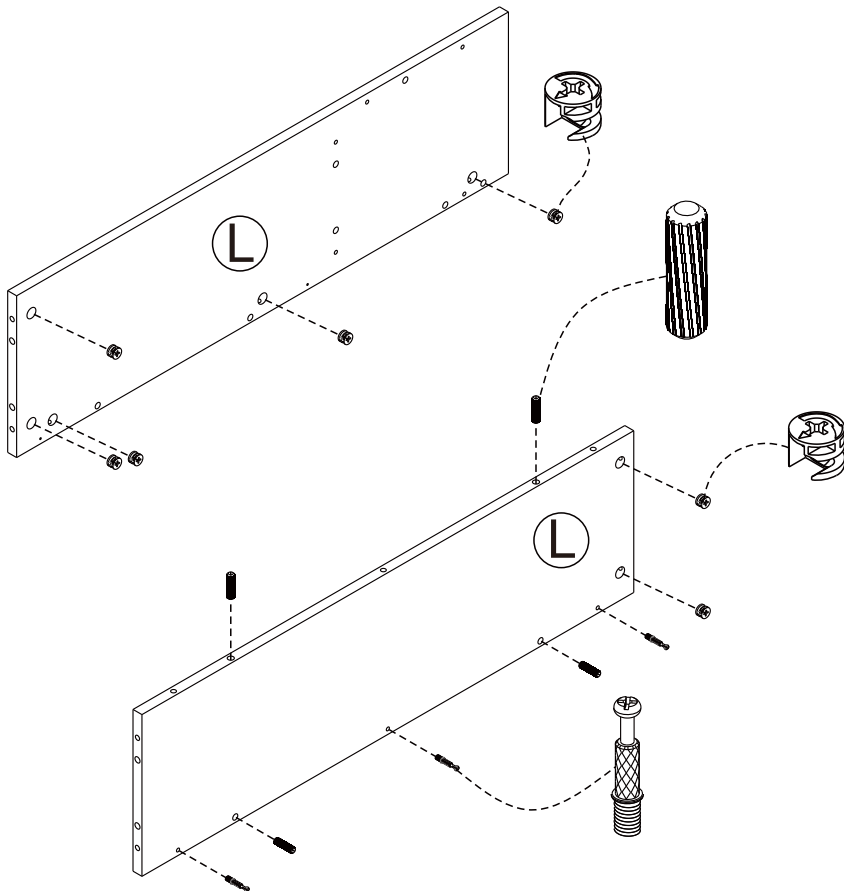


	cam bolt	X5
	wood dowel	X7

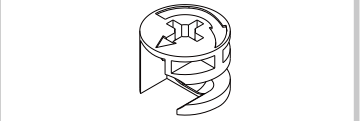
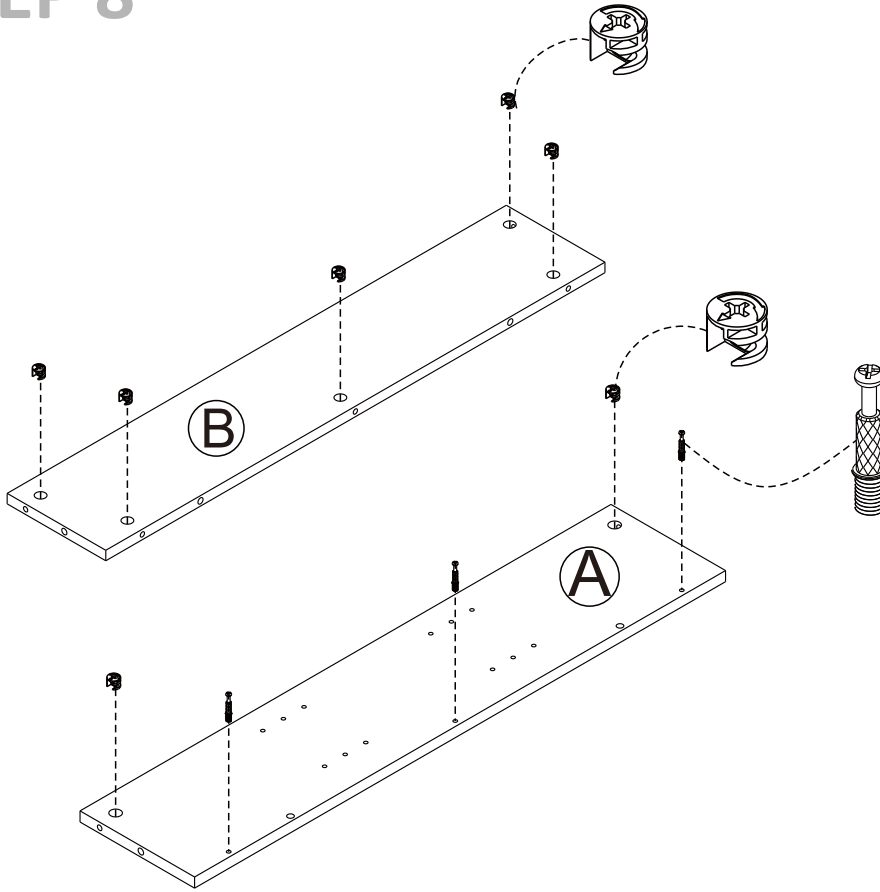
STEP 6



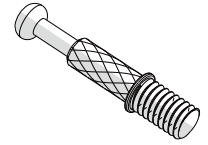
STEP 7



STEP 8

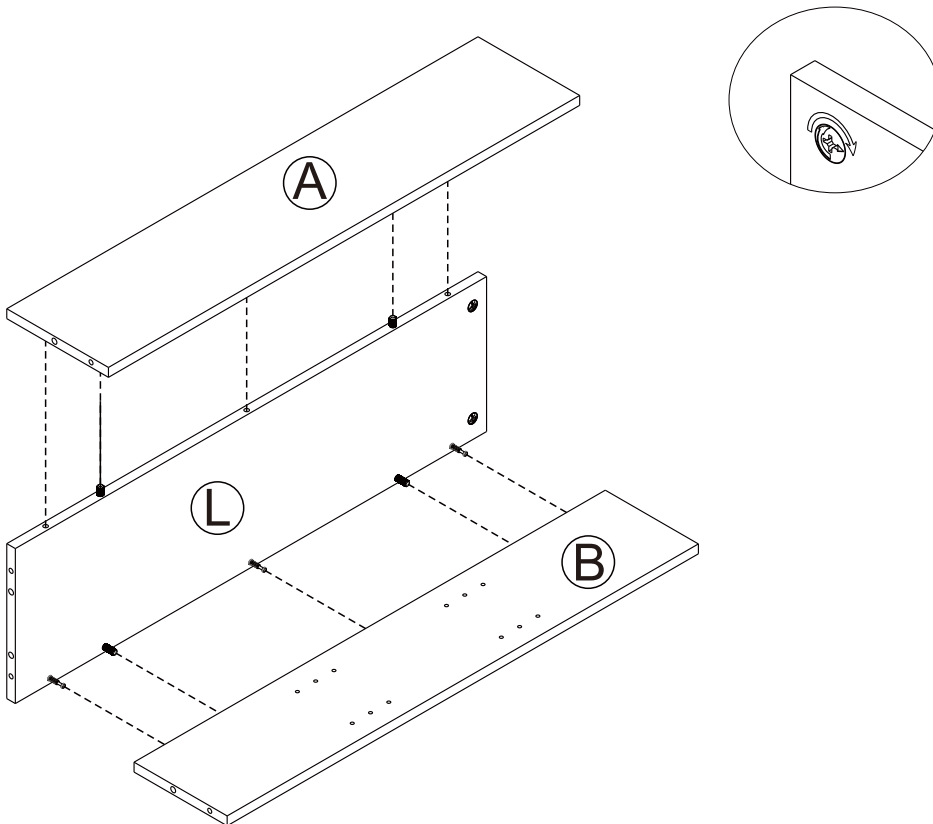


cam lock X7

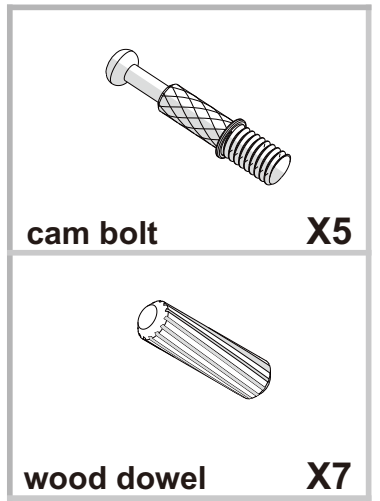
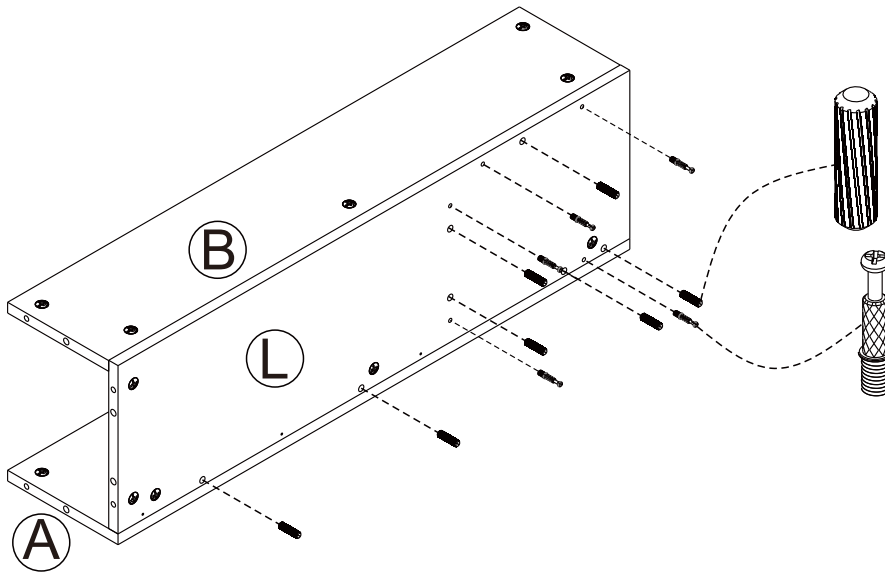


cam bolt X3

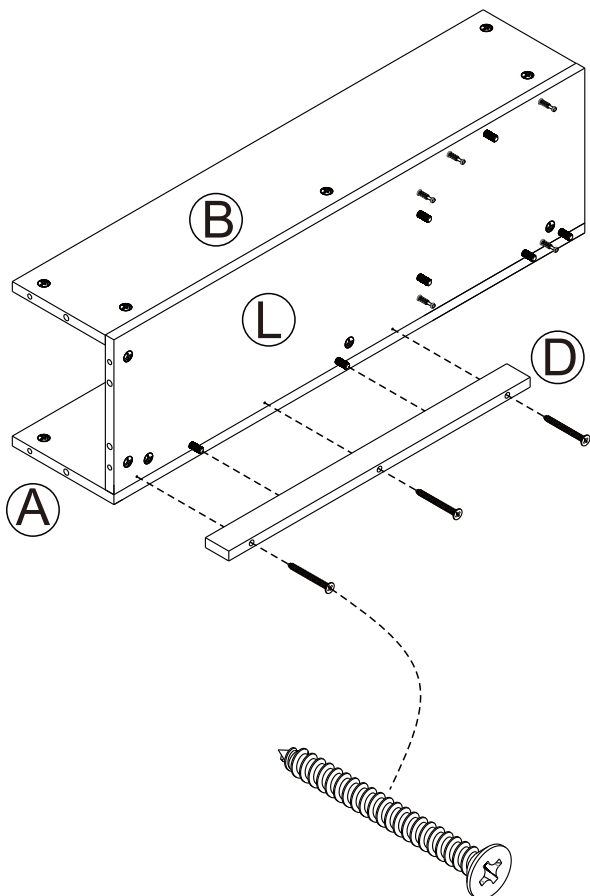
STEP 9



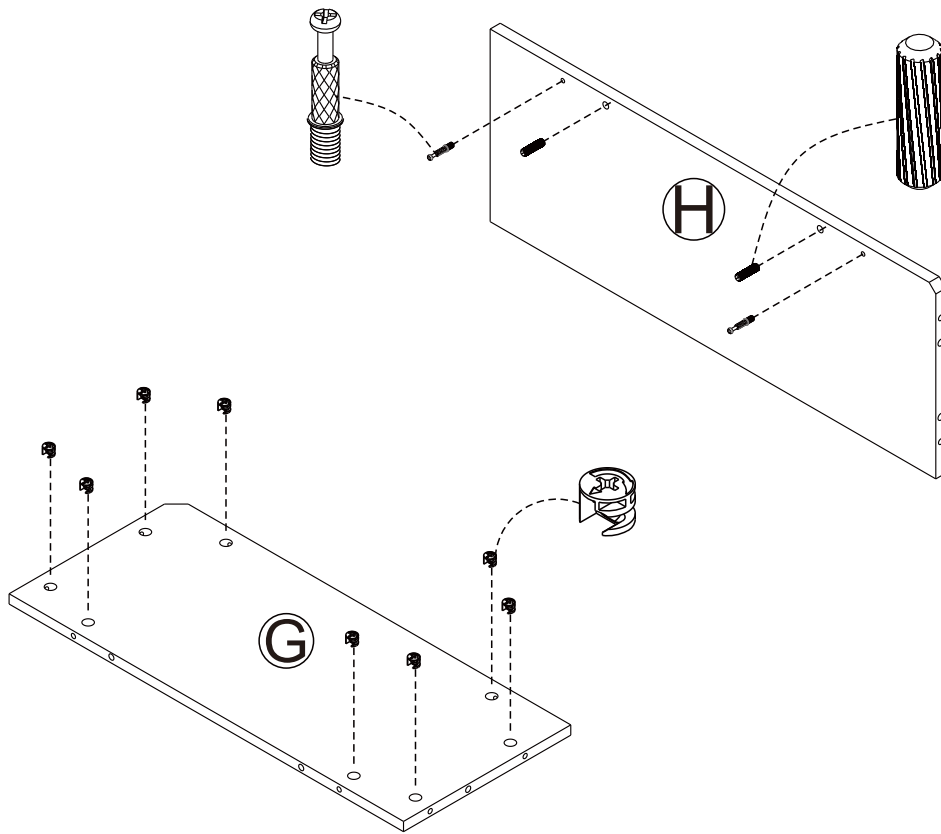
STEP 10

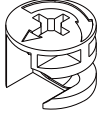
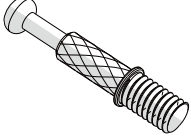
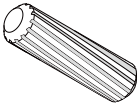


STEP 11

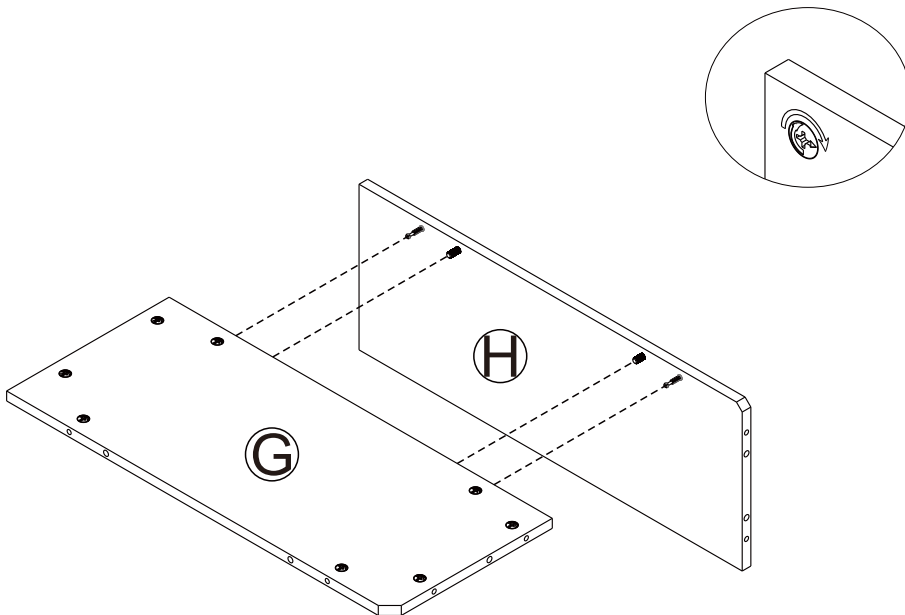


STEP 12

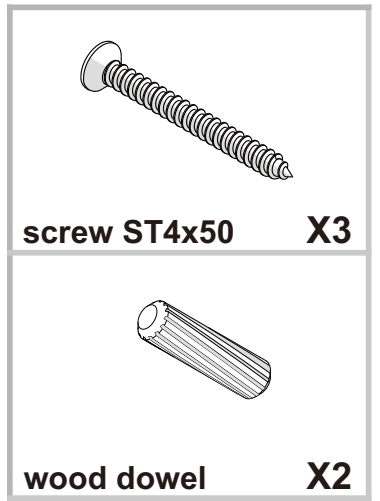
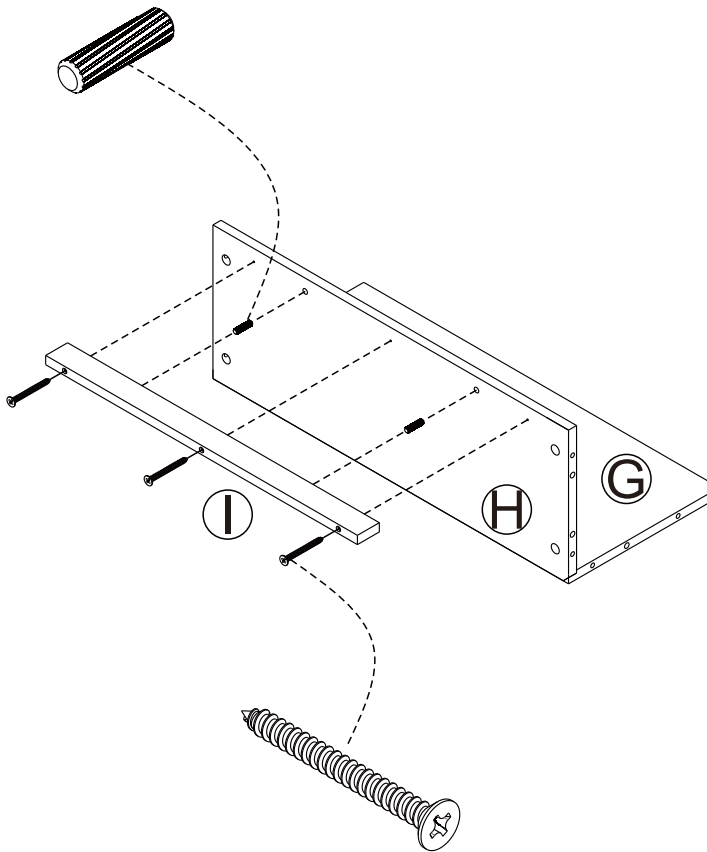


	cam lock	X8
	cam bolt	X2
	wood dowel	X2

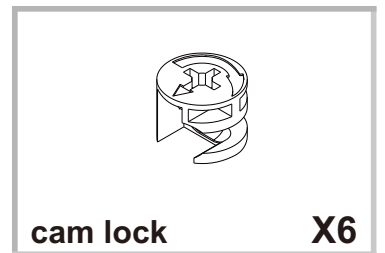
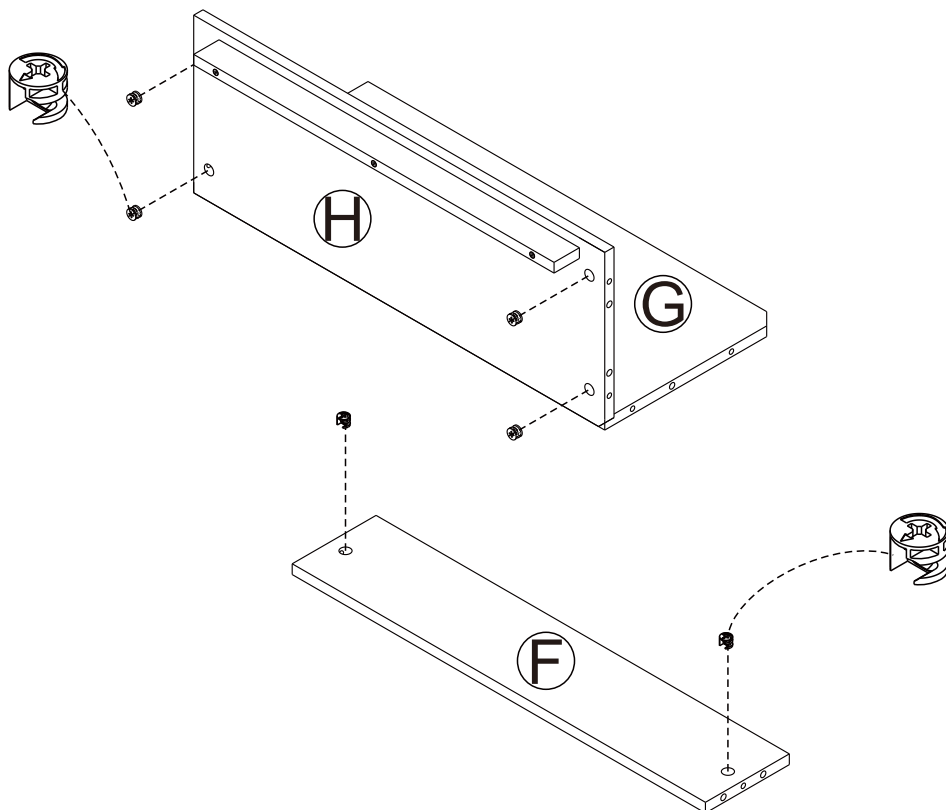
STEP 13



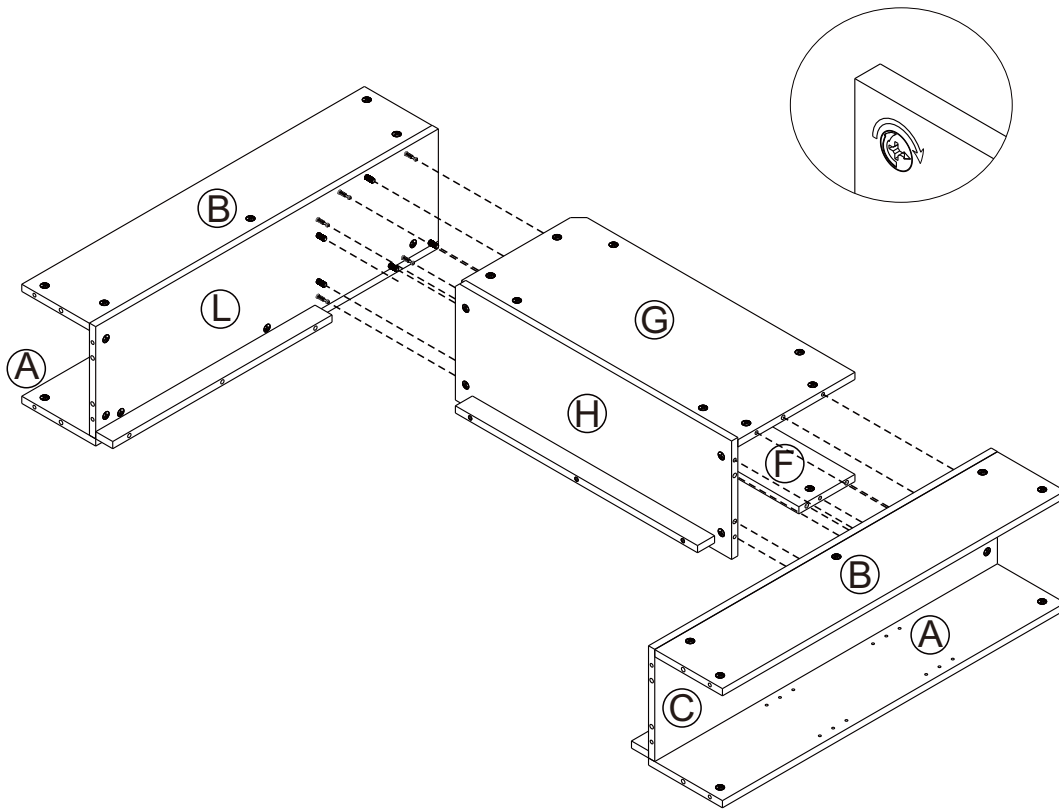
STEP 14



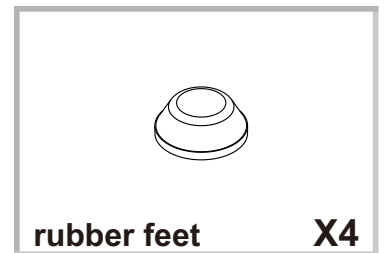
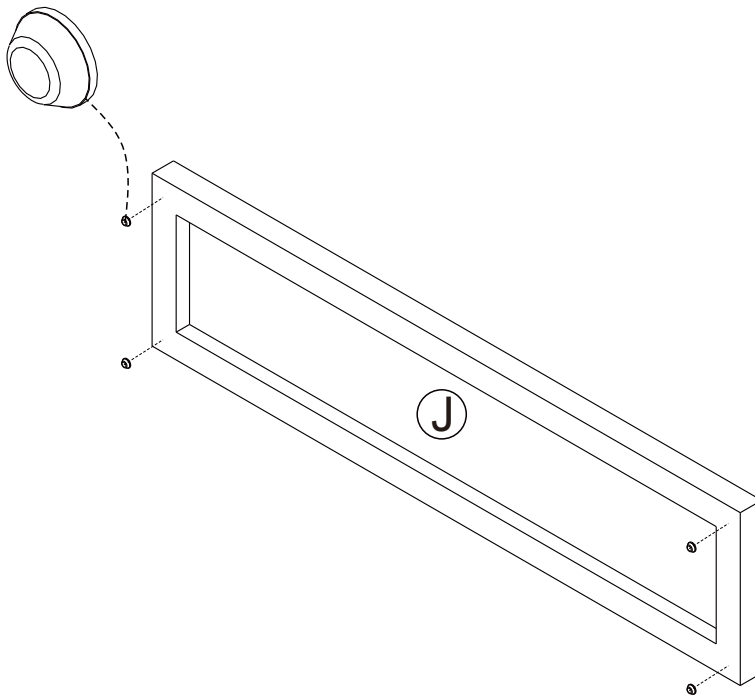
STEP 15



STEP 16



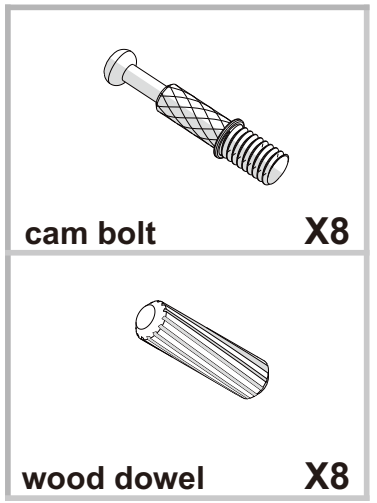
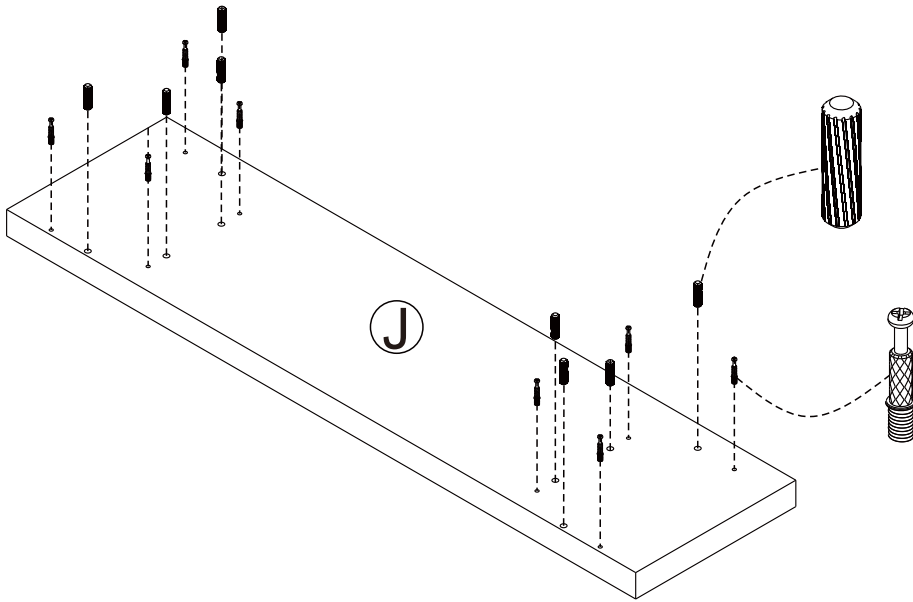
STEP 17



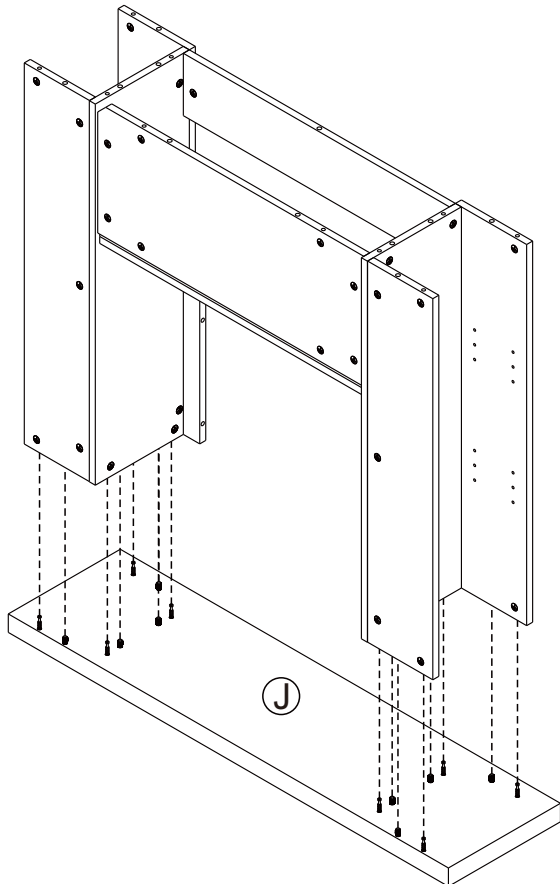
rubber feet

X4

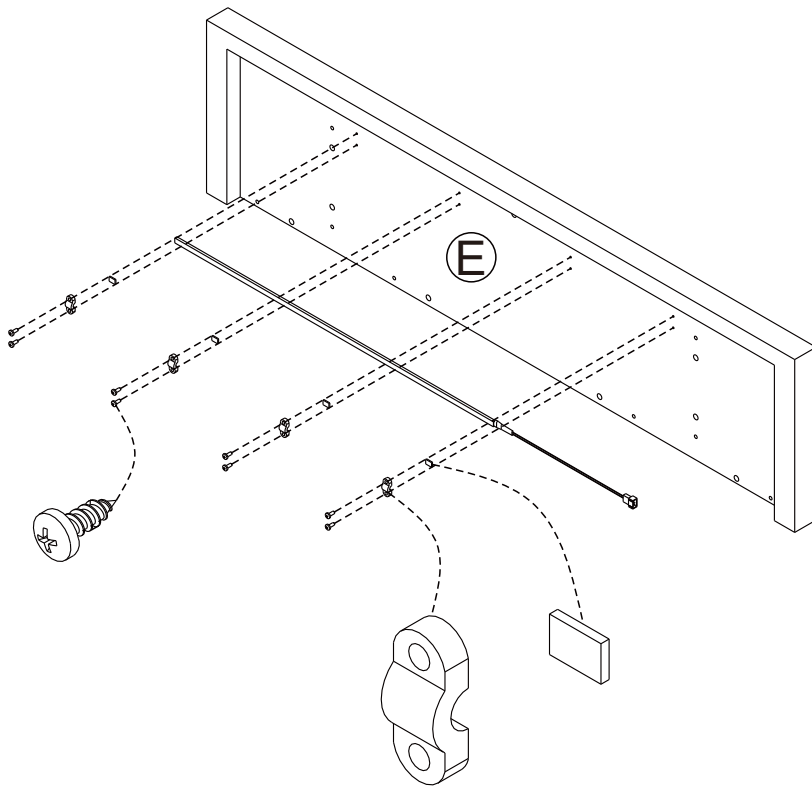
STEP 18



STEP 19

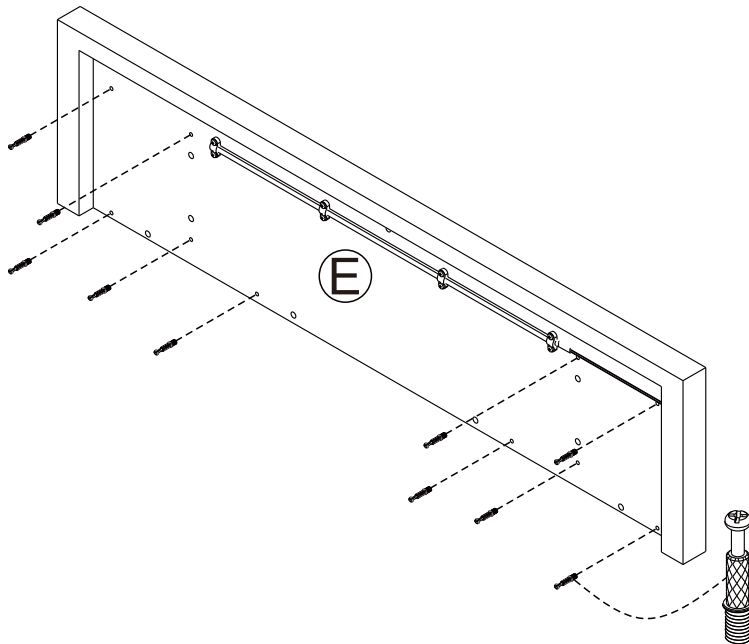


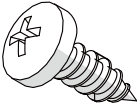
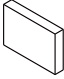


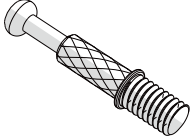
STEP 20



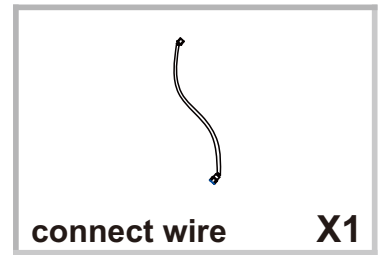
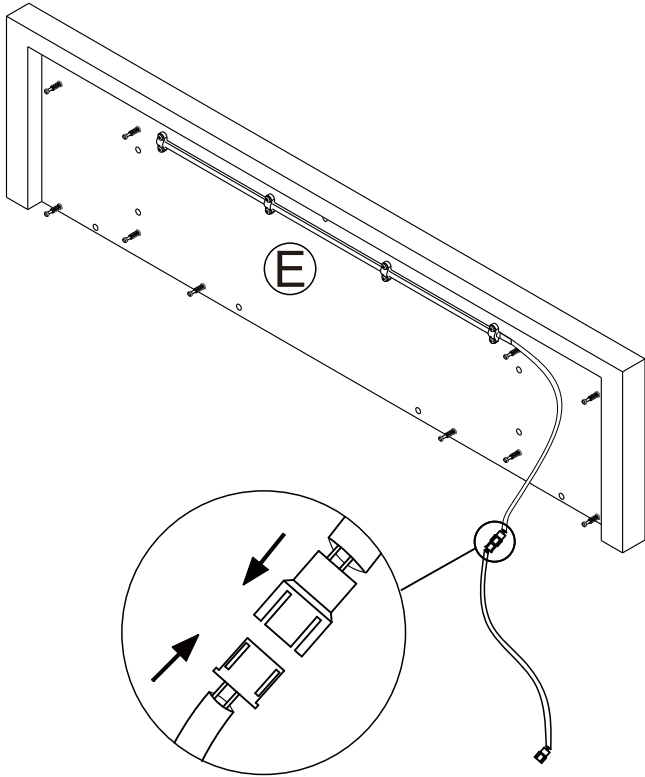
Uncover the paper on the foams and stick them on the moodlight strip, use the clamps and screws to fix them on the panel. Make sure the strip is fixed as above or it will influence the moodlight effect.

STEP 21

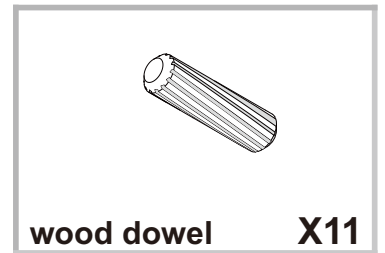
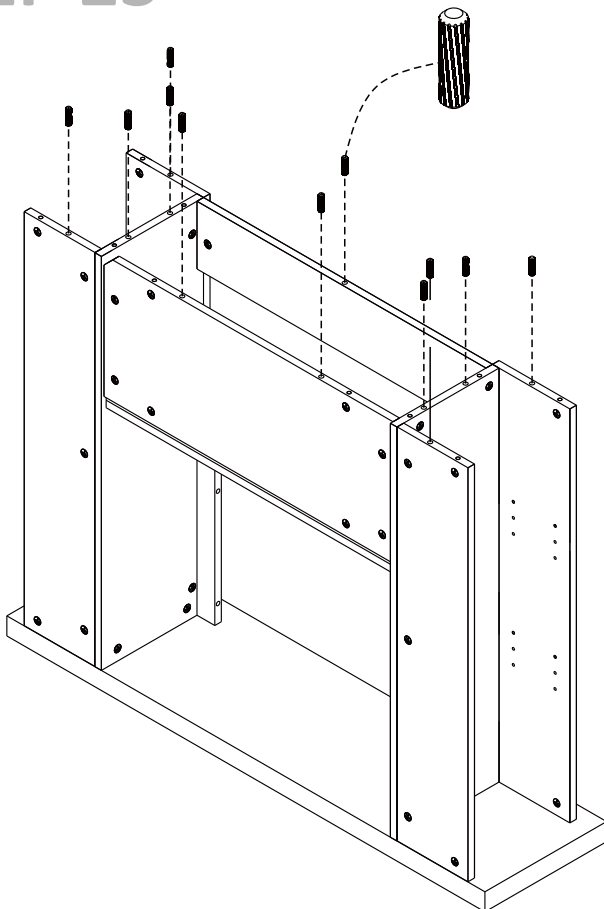


	screw ST4x12	X8
	foam	X4
	clamp	X4
	moodlight strip	X1
	cam bolt	X10

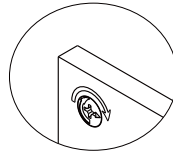
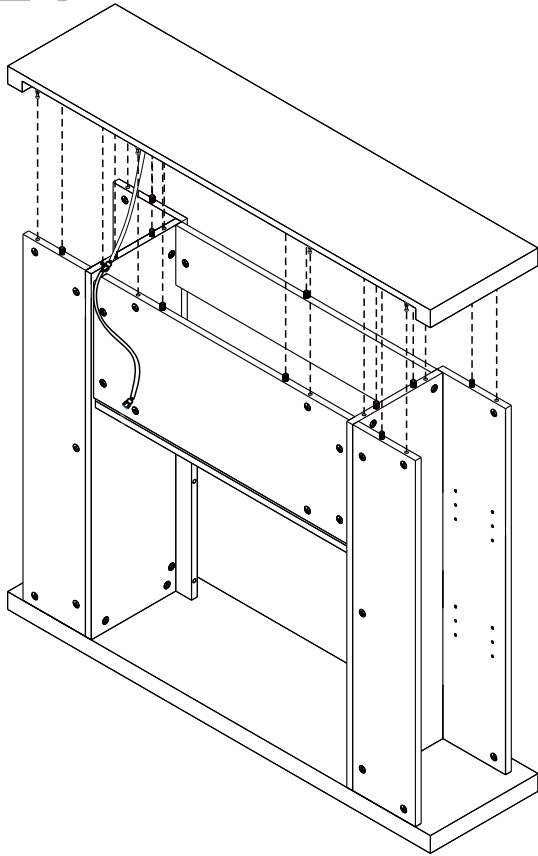
STEP 22



STEP 23

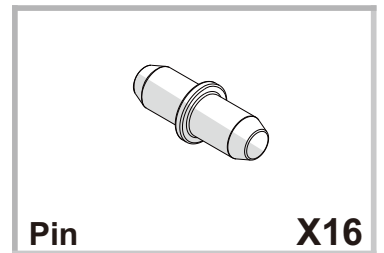
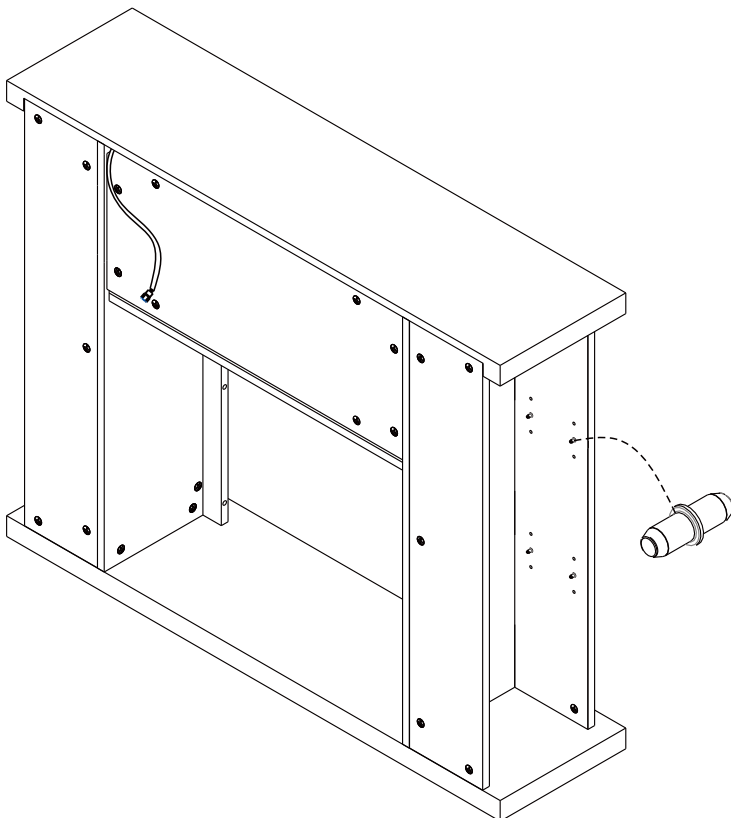


STEP 24



Arrange the connect wire into the slot.

STEP 25

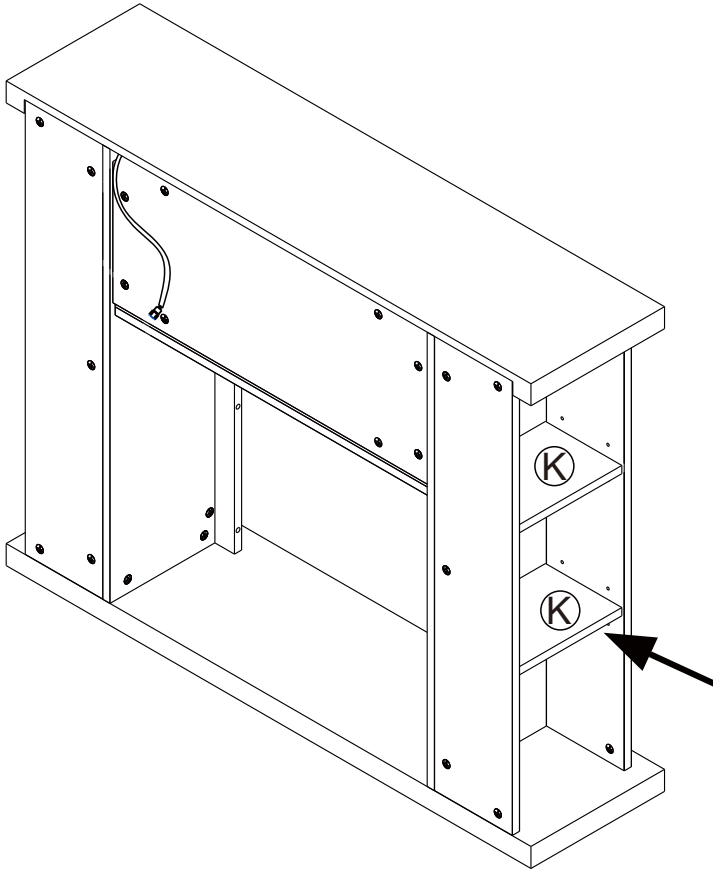


Pin

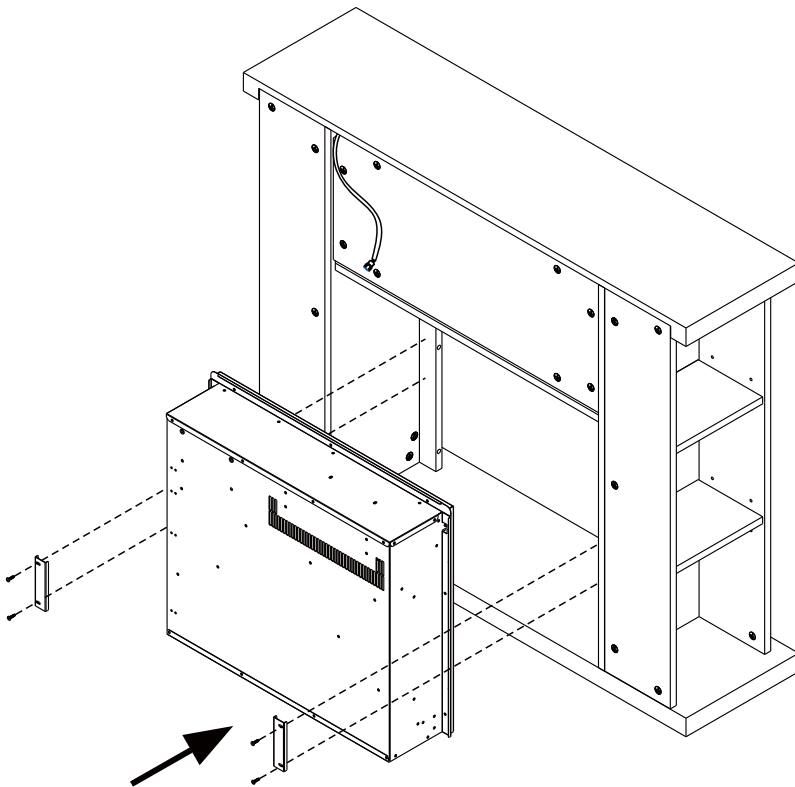
X16

Many holes available for different height of the shelves.

STEP 26

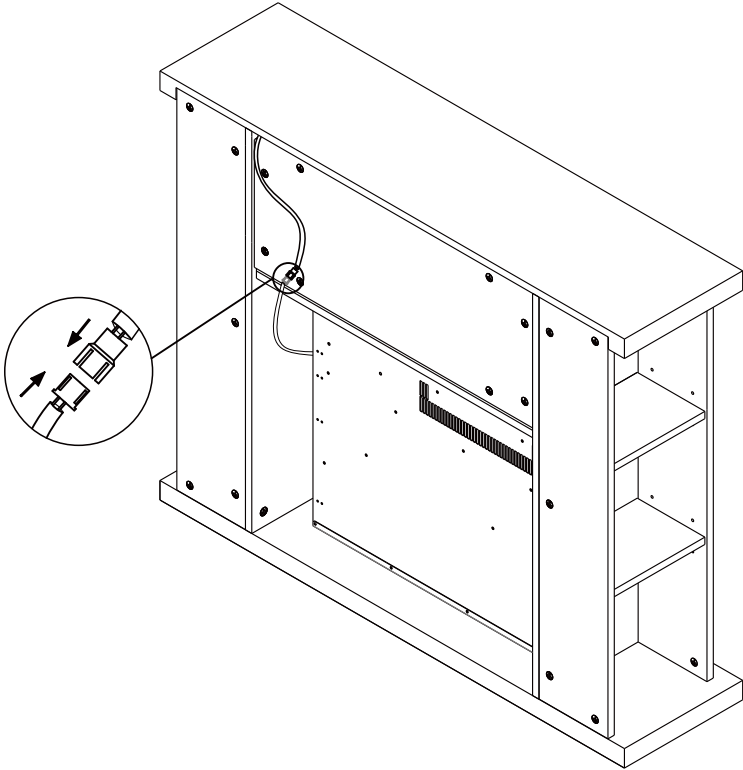


STEP 27



Use 4pcs ST3.5 × 12 screws

STEP 28



Connect the Mood Light

Legend Flame Group LLC
Address: 92 Corporate Park, Ste. C655 Irvine, CA 92606, United States
Tell: 949-385-6588
email: service5@fireandfireplaceservice.com